

PROJECT TITLE

LOCATION

NEW ALUMINUM WINDOWS, CURTAIN WALLS, STOREFRONT, ENTRANCES, AND TERRACE DOORS

GENERAL NOTES:

I. GENERAL NOTES



DATE:

REVISIONS:

GLAZING CONTRACTOR:
SAMPLE SAMPLE SAMPLE
SAMPLE SAMPLE SAMPLE
SAMPLE SAMPLE SAMPLE
SAMPLE SAMPLE SAMPLE
SAMPLE SAMPLE SAMPLE

ARCHITECT:
SAMPLE SAMPLE SAMPLE
SAMPLE SAMPLE SAMPLE
SAMPLE SAMPLE SAMPLE
SAMPLE SAMPLE SAMPLE
SAMPLE SAMPLE SAMPLE

PROJECT: SAMPLE SAMPLE SAMPLE

LOCATION: SAMPLE SAMPLE SAMPLE

SCALE:
N.T.S.

DATE:
SAMPLE

DRAWN:
SAMPLE

PAGE:
1 of 14

- T.O. CONVENIENCE STAIR BULKHEAD
120' - 0"
- T.O. ELEVATOR PARAPET
114' - 6 3/8"
- 10 ROOF TERRACE FF
111' - 0"
- 09 NINTH FLOOR FF
99' - 0"
- 08 EIGHTH FLOOR FF
87' - 0"
- 07 SEVENTH FLOOR FF
75' - 0"
- T.O. SEVENTH TERRACE SLAB
74' - 0"
- 06 SIXTH FLOOR FF
63' - 0"
- 05 FIFTH FLOOR FF
51' - 0"
- 04 FOURTH FLOOR FF
39' - 0"
- 03 THIRD FLOOR FF
27' - 0"
- 02 SECOND FLOOR FF
15' - 0"
- 01 FIRST FLOOR FF
3' - 0"
- 0' - 0"



SOUTH ELEVATION (AT NORTH MOORE)

EAST ELEVATION (AT WEST BROADWAY)

REVISIONS:	DATE:

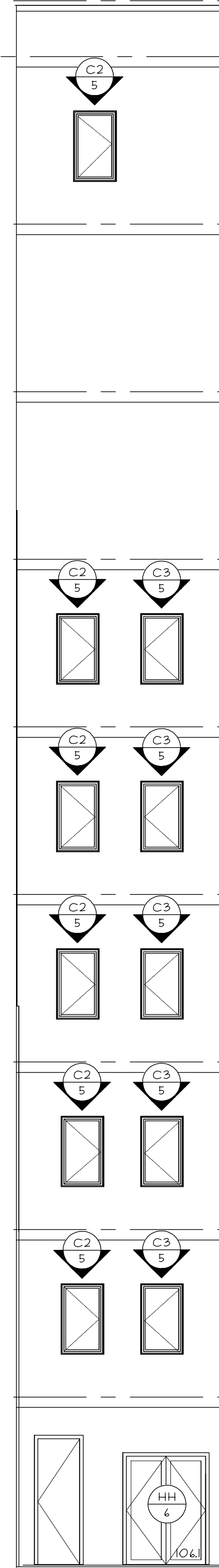
GLAZING CONTRACTOR:	SAMPLE	SAMPLE	SAMPLE
	SAMPLE	SAMPLE	SAMPLE
	SAMPLE	SAMPLE	SAMPLE
	SAMPLE	SAMPLE	SAMPLE
	SAMPLE	SAMPLE	SAMPLE

ARCHITECT:	SAMPLE	SAMPLE	SAMPLE
	SAMPLE	SAMPLE	SAMPLE
	SAMPLE	SAMPLE	SAMPLE
	SAMPLE	SAMPLE	SAMPLE
	SAMPLE	SAMPLE	SAMPLE

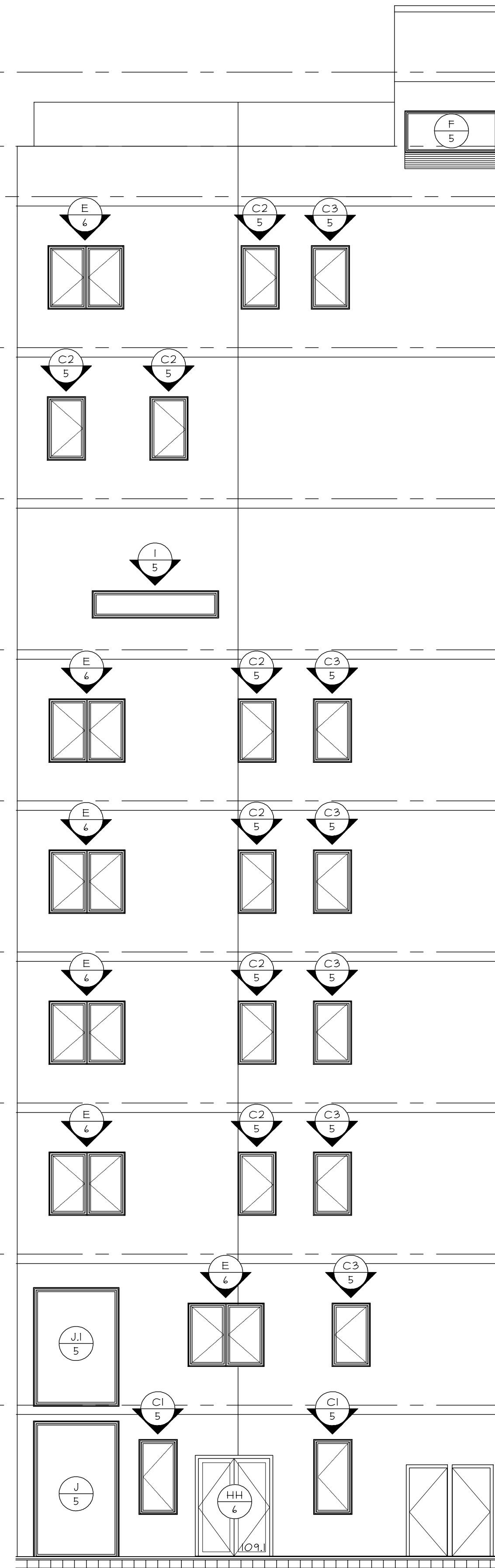
PROJECT:	SAMPLE	SAMPLE	SAMPLE
LOCATION:	SAMPLE	SAMPLE	SAMPLE

SCALE:	N.T.S.
DATE:	SAMPLE
DRAWN:	SAMPLE
PAGE:	2 of 14

- T.O. PARAPET
121' - 0"
- T.O. STAIR ROOF
120' - 10 5/8"
- T.O. ROOF PARAPET/DECK
115' - 0"
- 10 ROOF TERRACE FF
111' - 0"
- 09 NINTH FLOOR FF
99' - 0"
- 08 EIGHTH FLOOR FF
81' - 0"
- 07 SEVENTH FLOOR FF
75' - 0"
- 06 SIXTH FLOOR FF
63' - 0"
- 05 FIFTH FLOOR FF
51' - 0"
- 04 FOURTH FLOOR FF
39' - 0"
- 03 THIRD FLOOR FF
21' - 0"
- 02 SECOND FLOOR FF
15' - 0"



NORTHWEST ELEVATION



NORTH ELEVATION

DATE:

REVISIONS:

GLAZING CONTRACTOR:
 SAMPLE SAMPLE SAMPLE
 SAMPLE SAMPLE SAMPLE
 SAMPLE SAMPLE SAMPLE
 SAMPLE SAMPLE SAMPLE
 SAMPLE SAMPLE SAMPLE

ARCHITECT:
 SAMPLE SAMPLE SAMPLE
 SAMPLE SAMPLE SAMPLE
 SAMPLE SAMPLE SAMPLE
 SAMPLE SAMPLE SAMPLE

PROJECT: SAMPLE SAMPLE SAMPLE

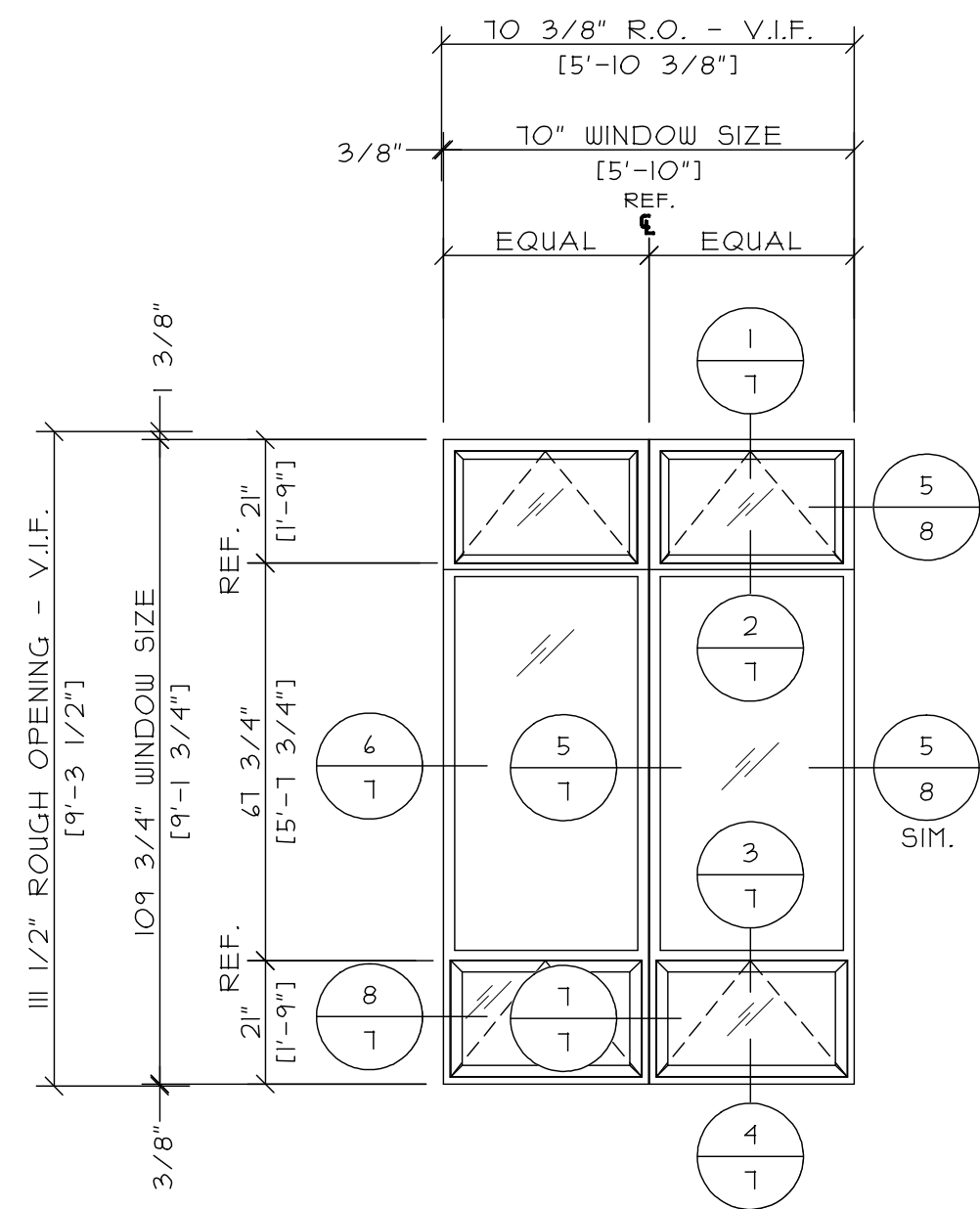
LOCATION: SAMPLE SAMPLE SAMPLE

SCALE:
N.T.S.

DATE:
SAMPLE

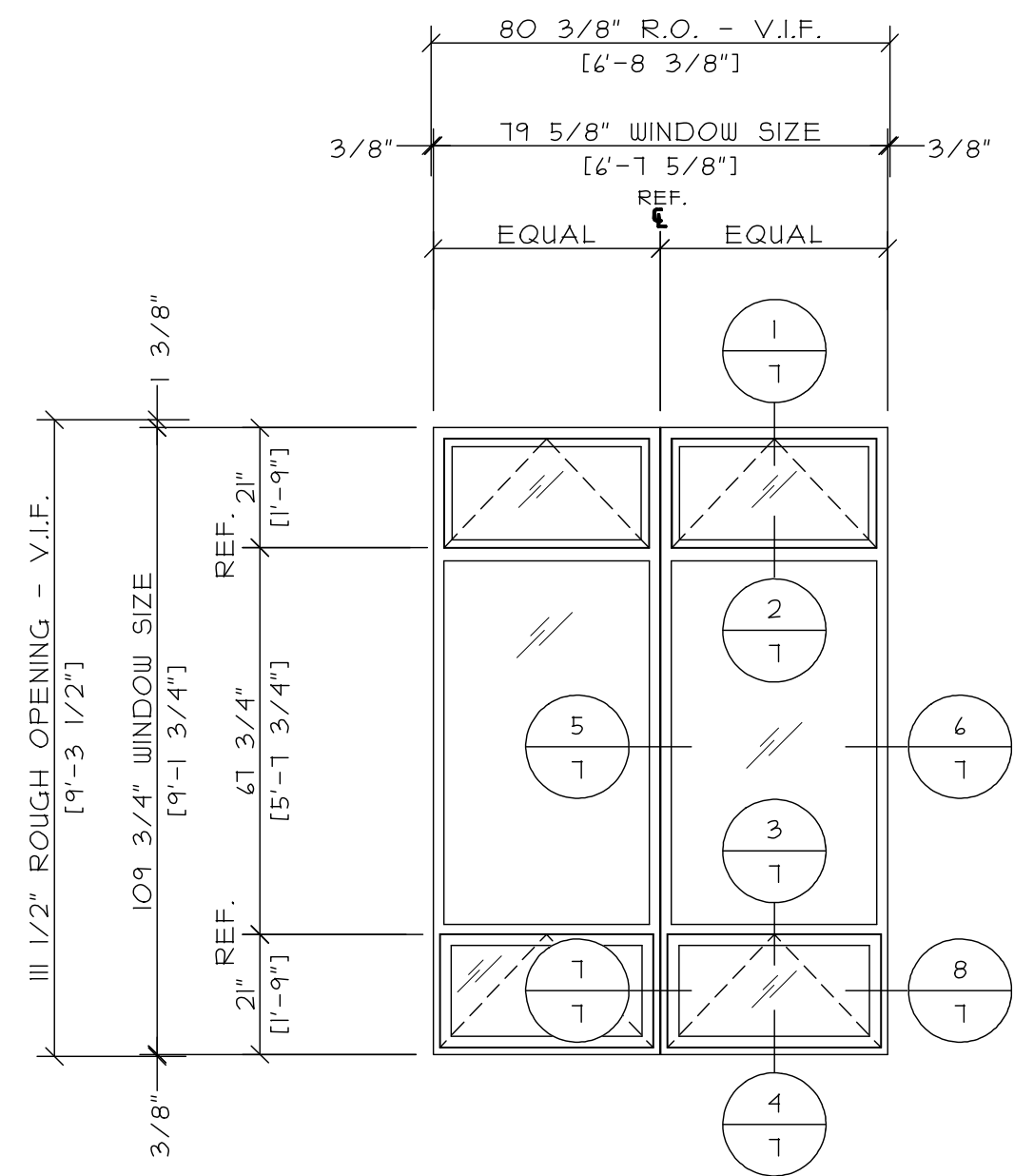
DRAWN:
SAMPLE

PAGE:
3 of 14



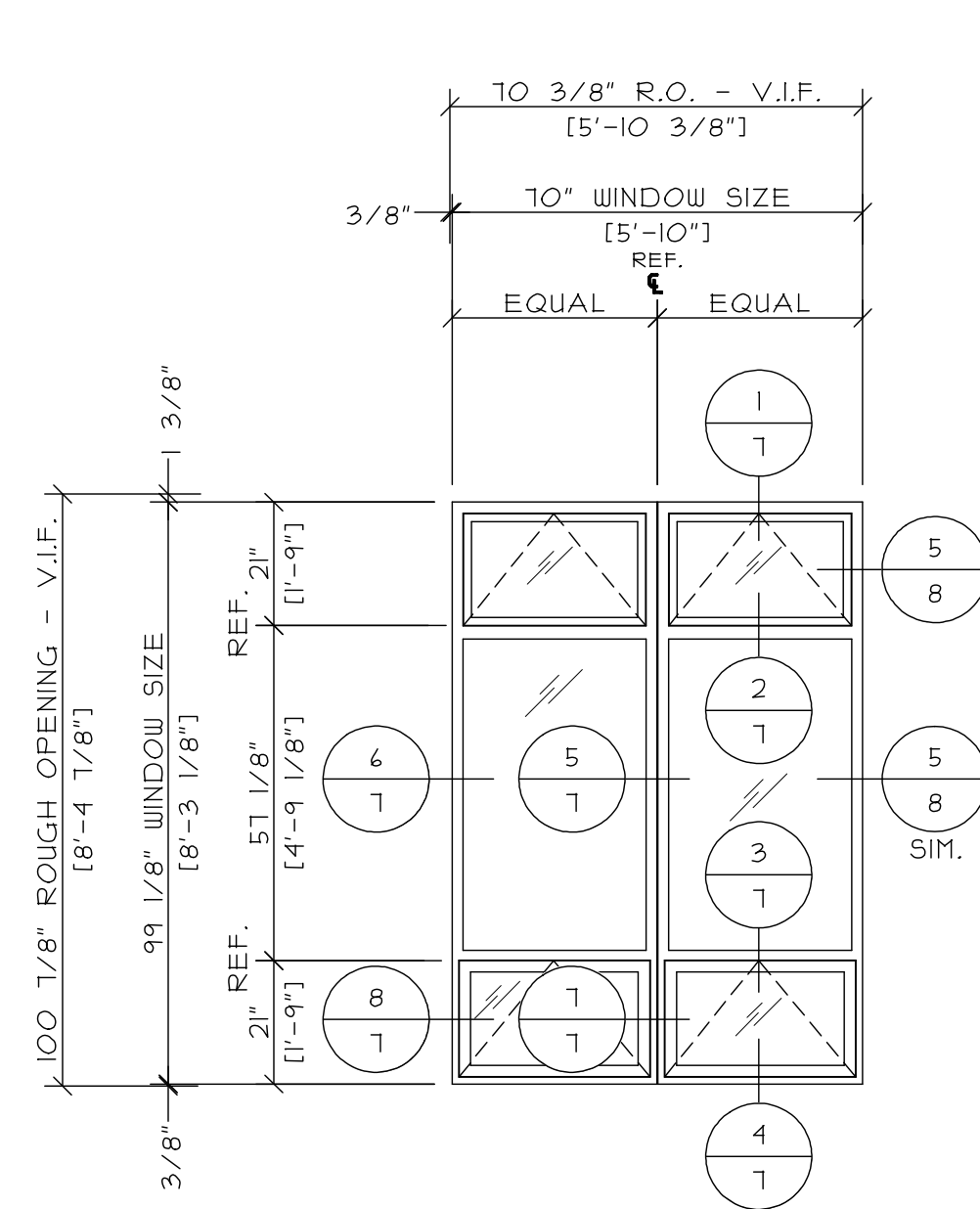
ELEVATION "A1"

6 THUS / 6 OPPOSITE
 SERIES 4250-OS
 PROJECT OUT OVER FIXED
 OVER PROJECT OUT
 HARDWARE KITS: 1, 5



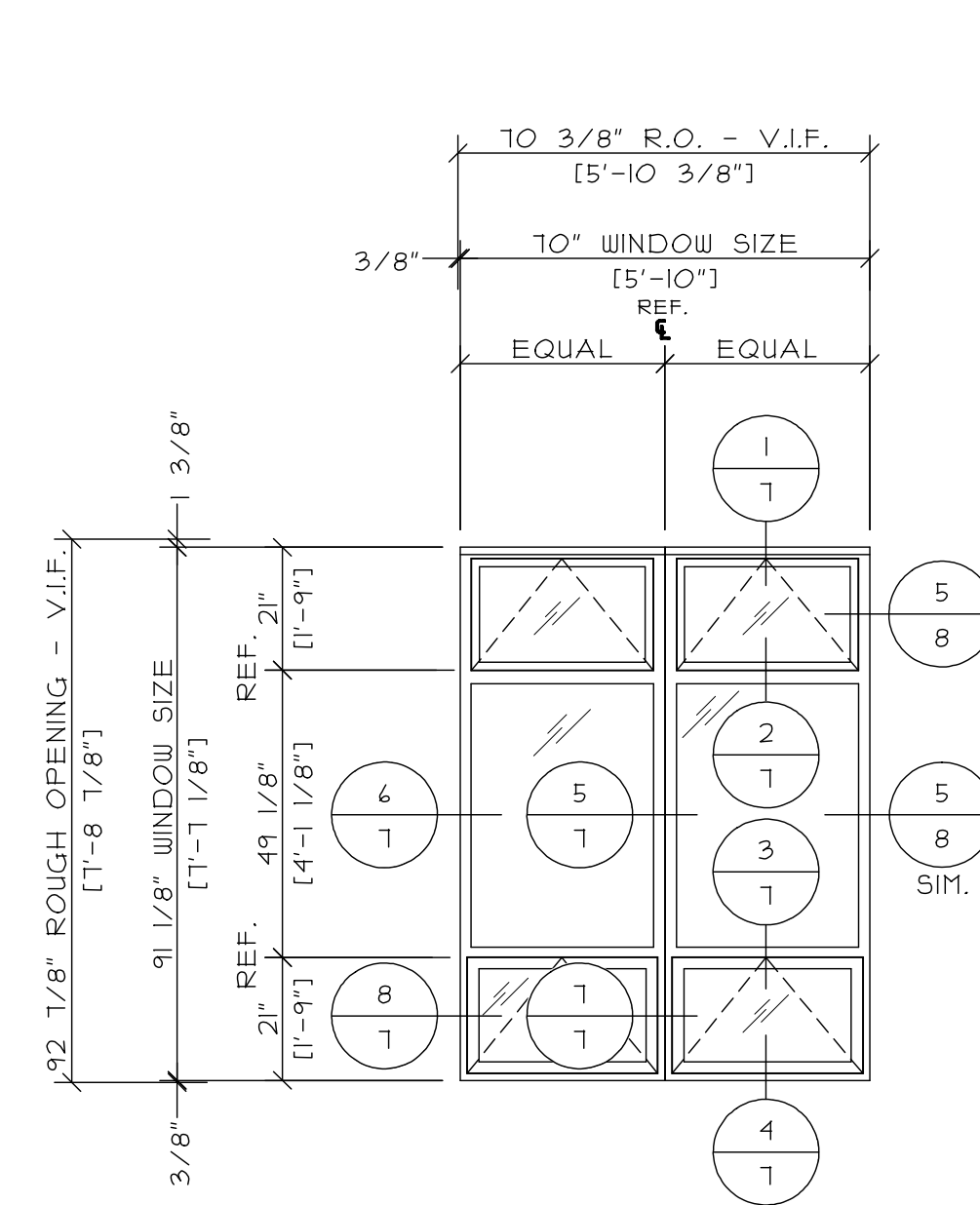
ELEVATION "A2"

19 TOTAL
 SERIES 4250-OS
 PROJECT OUT OVER FIXED
 OVER PROJECT OUT
 HARDWARE KITS: 1, 5



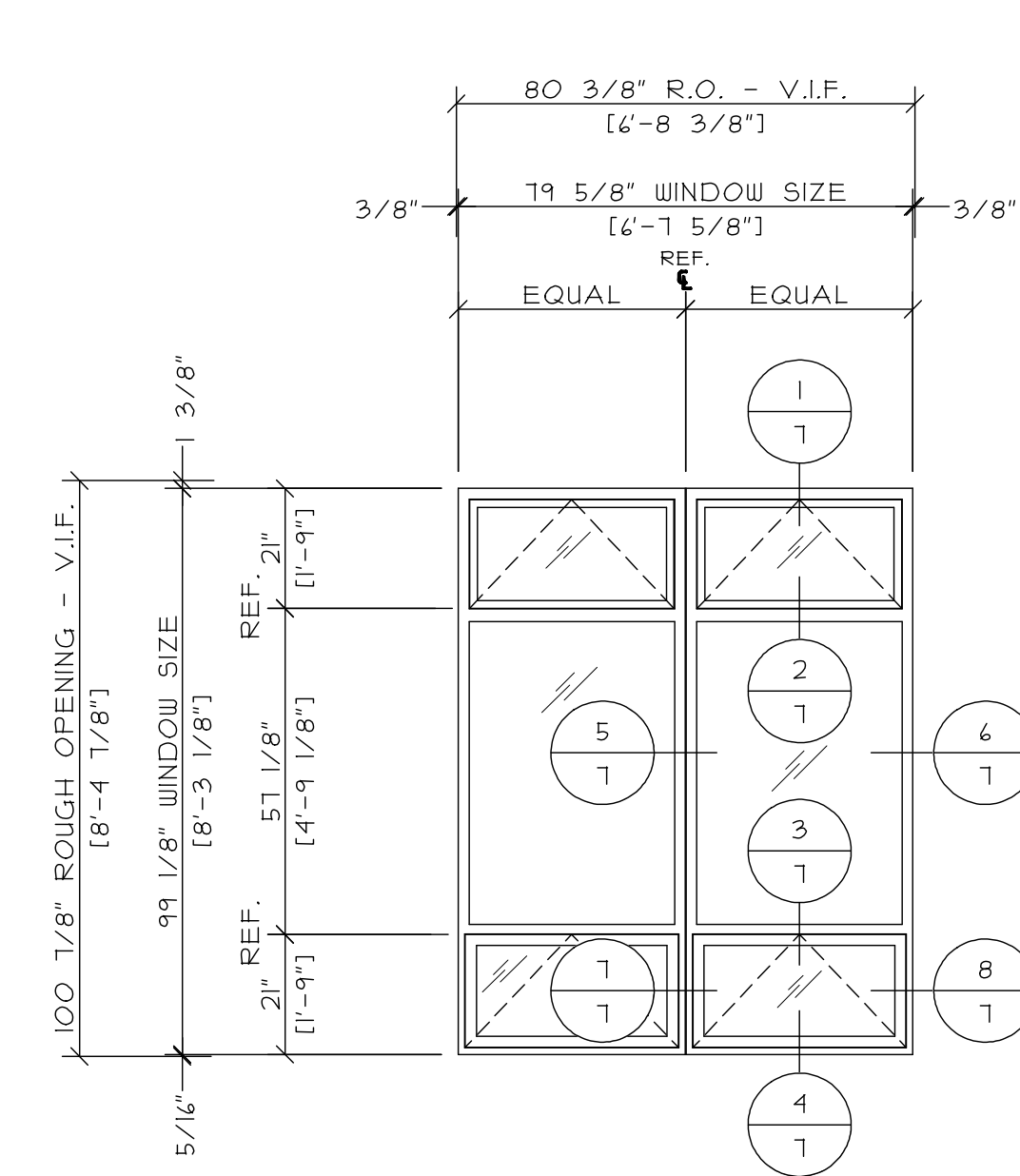
ELEVATION "A3"

1 THUS / 1 OPPOSITE
 SERIES 4250-OS
 PROJECT OUT OVER FIXED
 OVER PROJECT OUT
 HARDWARE KITS: 1, 5



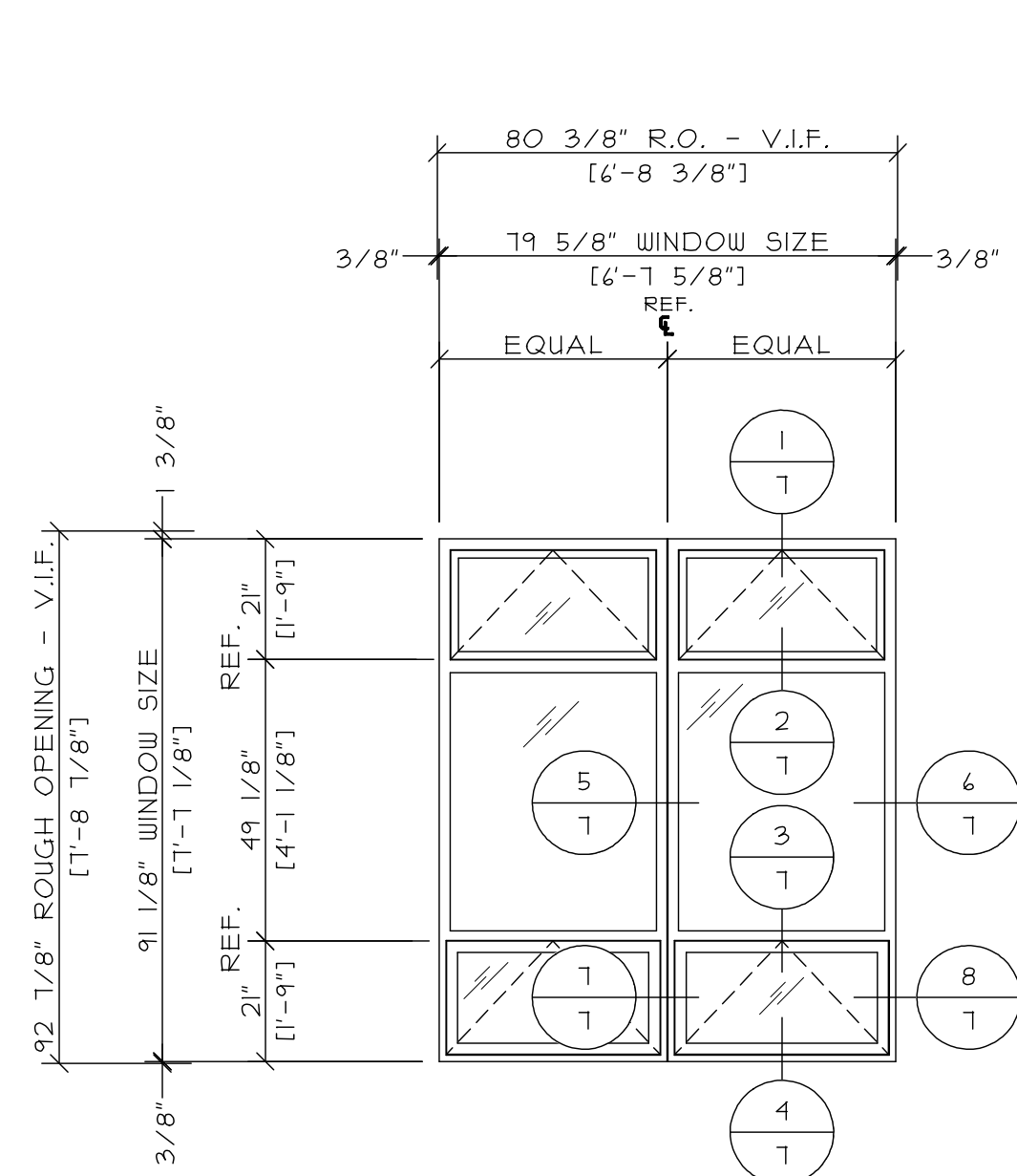
ELEVATION "A4"

1 THUS / 1 OPPOSITE
 SERIES 4250-OS
 PROJECT OUT OVER FIXED
 OVER PROJECT OUT
 HARDWARE KITS: 1, 5



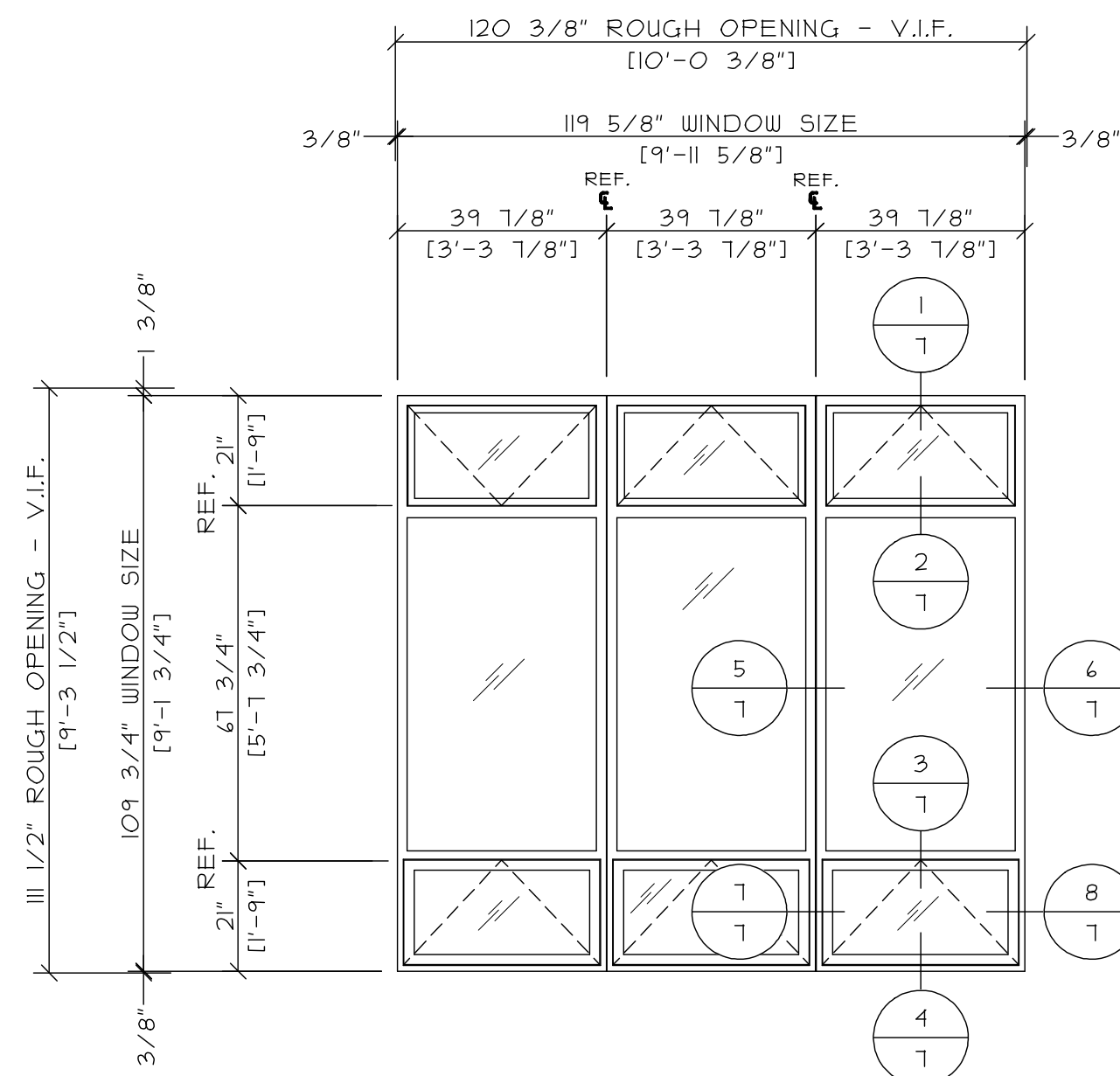
ELEVATION "A5"

4 TOTAL
 SERIES 4250-OS
 PROJECT OUT OVER FIXED
 OVER PROJECT OUT
 HARDWARE KITS: 1, 5



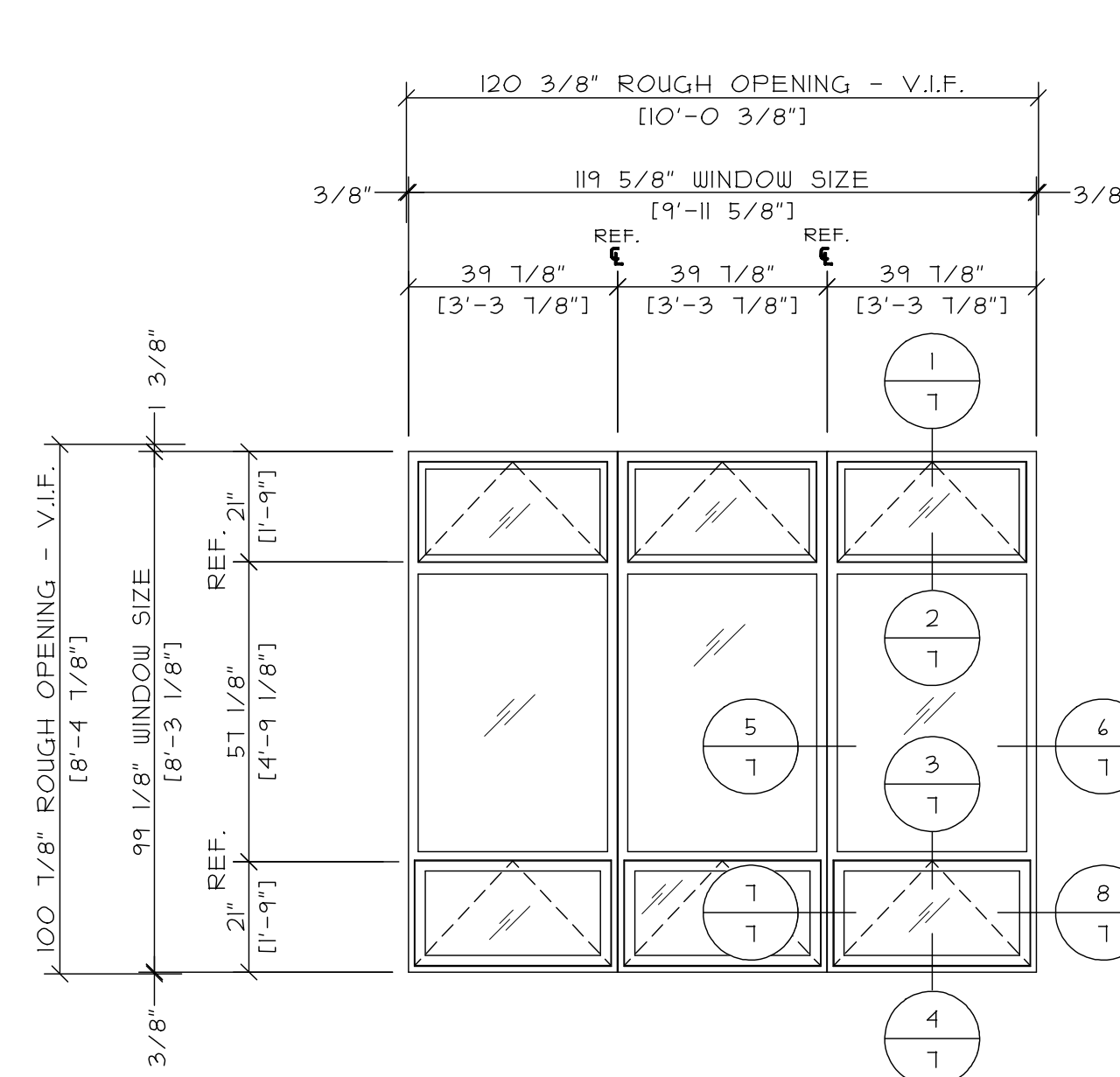
ELEVATION "A6"

1 TOTAL
 SERIES 4250-OS
 PROJECT OUT OVER FIXED
 OVER PROJECT OUT
 HARDWARE KITS: 1, 5



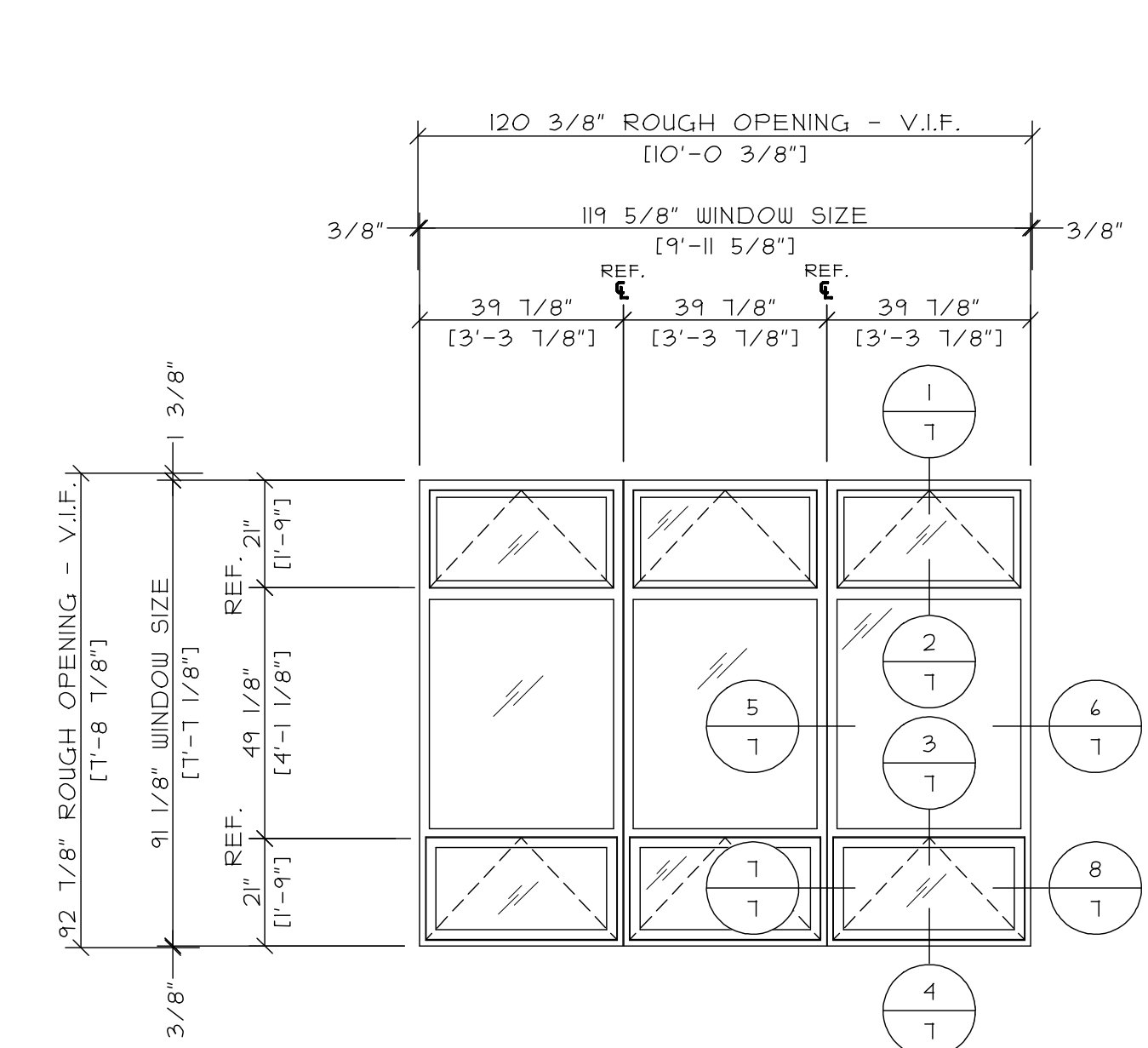
ELEVATION "B1"

11 TOTAL
 SERIES 4250-OS
 PROJECT OUT OVER FIXED
 OVER PROJECT OUT
 HARDWARE KITS: 1, 5



ELEVATION "B2"

2 TOTAL
 SERIES 4250-OS
 PROJECT OUT OVER FIXED
 OVER PROJECT OUT
 HARDWARE KITS: 1, 5



ELEVATION "B3"

2 TOTAL
 SERIES 4250-OS
 PROJECT OUT OVER FIXED
 OVER PROJECT OUT
 HARDWARE KITS: 1, 5

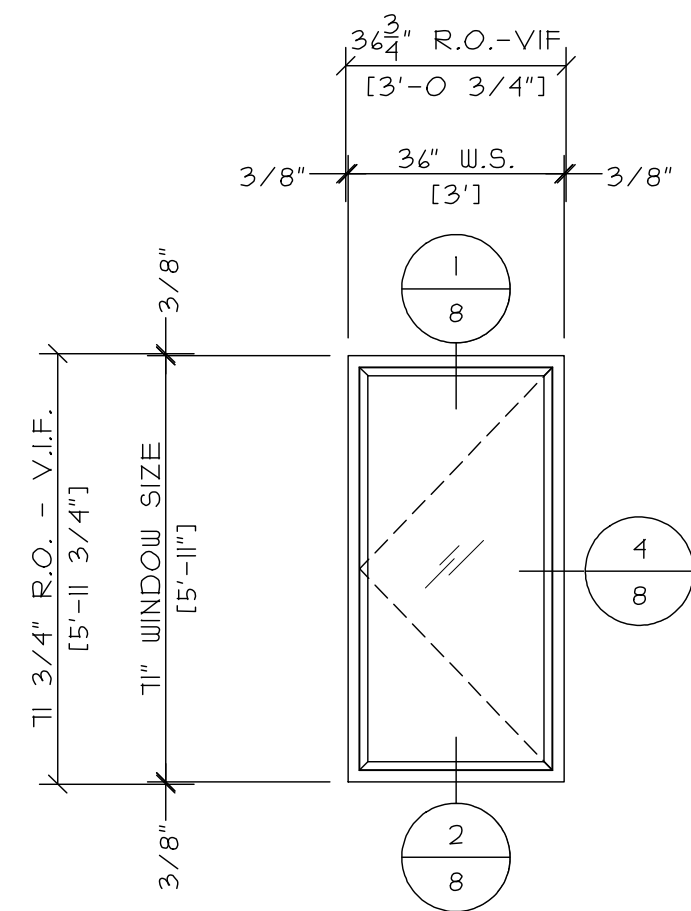
REVISIONS:	DATE:

GLAZING CONTRACTOR:	SAMPLE SAMPLE SAMPLE
	SAMPLE SAMPLE SAMPLE
	SAMPLE SAMPLE SAMPLE
	SAMPLE SAMPLE SAMPLE
	SAMPLE SAMPLE SAMPLE

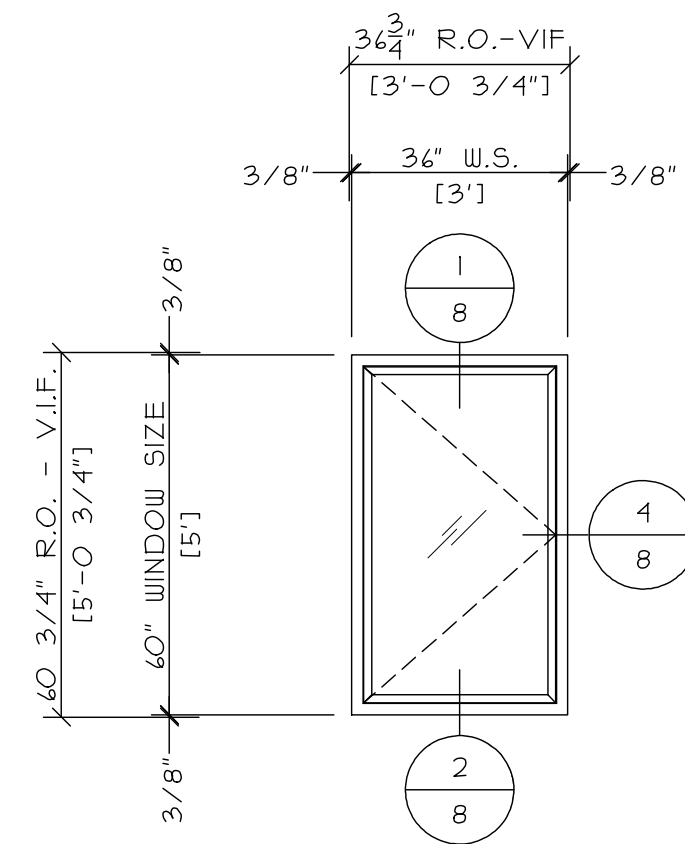
ARCHITECT:	SAMPLE SAMPLE SAMPLE
	SAMPLE SAMPLE SAMPLE
	SAMPLE SAMPLE SAMPLE
	SAMPLE SAMPLE SAMPLE
	SAMPLE SAMPLE SAMPLE

PROJECT:	SAMPLE SAMPLE SAMPLE
LOCATION:	SAMPLE SAMPLE SAMPLE

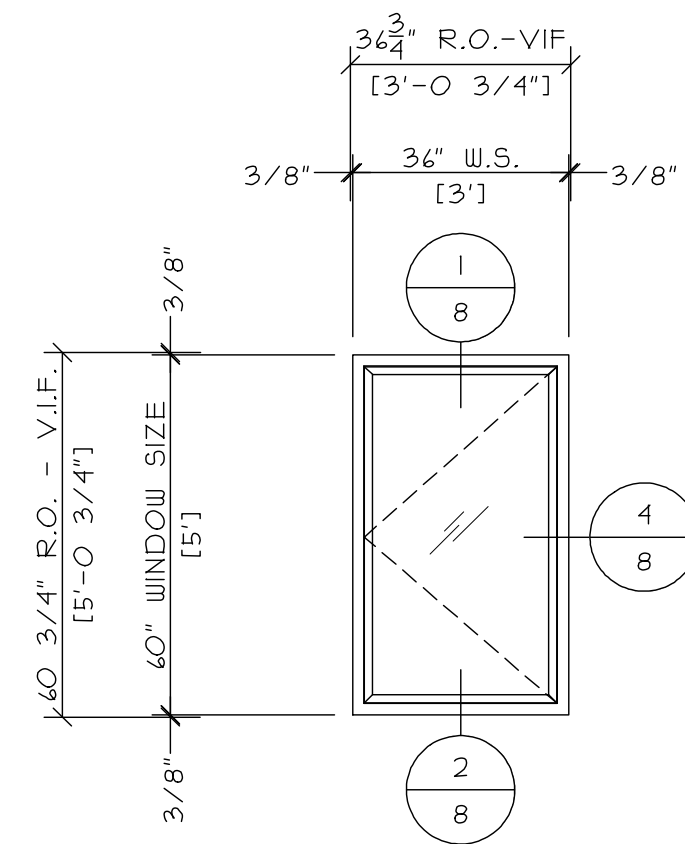
SCALE:	3/8" = 1'-0"
DATE:	SAMPLE
DRAWN:	SAMPLE
PAGE:	4 of 14



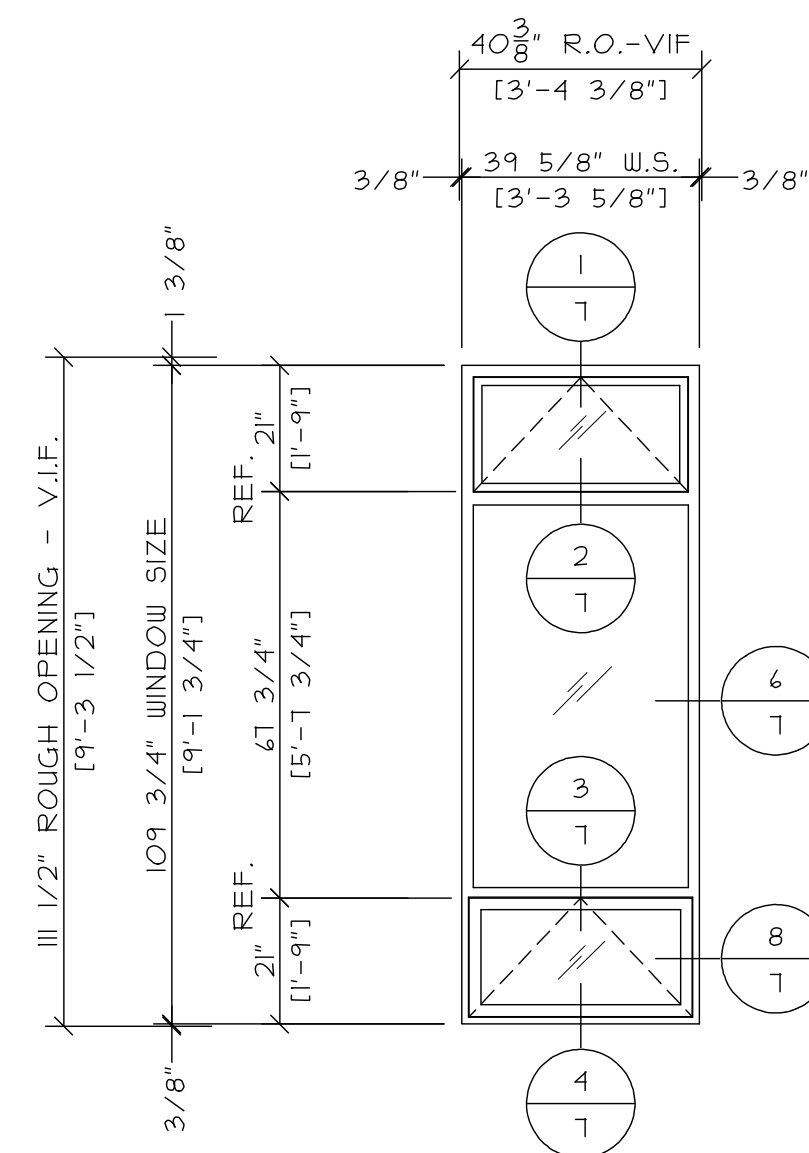
ELEVATION "C1"
 2 TOTAL
 SERIES 4250-05
 CASEMENT IN
 HARDWARE KIT: 8



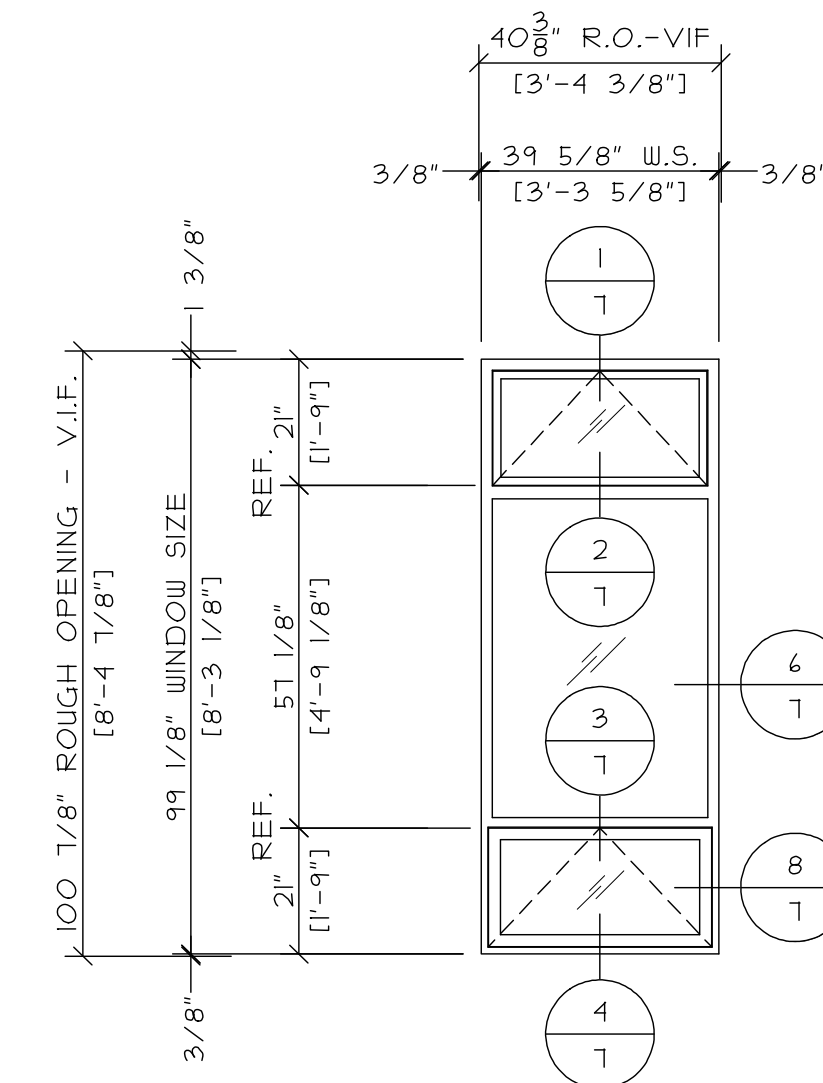
ELEVATION "C2"
 13 TOTAL
 SERIES 4250-05
 CASEMENT IN
 HARDWARE KIT: 9



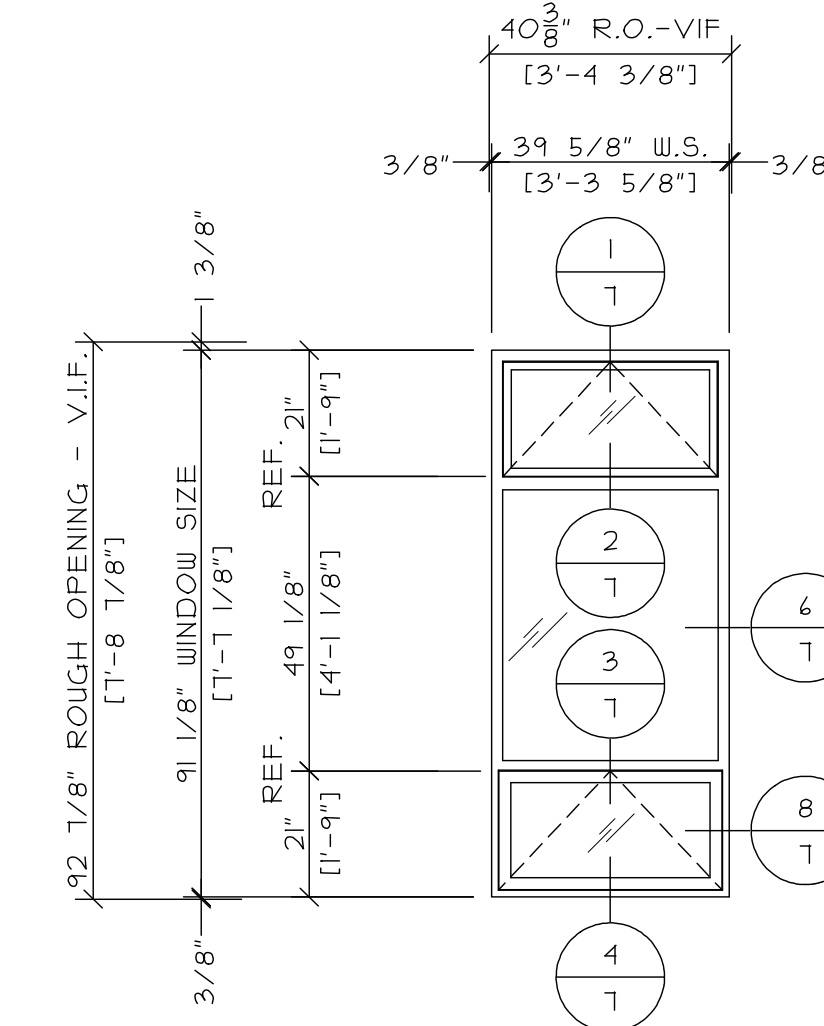
ELEVATION "C3"
 11 TOTAL
 SERIES 4250-05
 CASEMENT IN
 HARDWARE KIT: 8



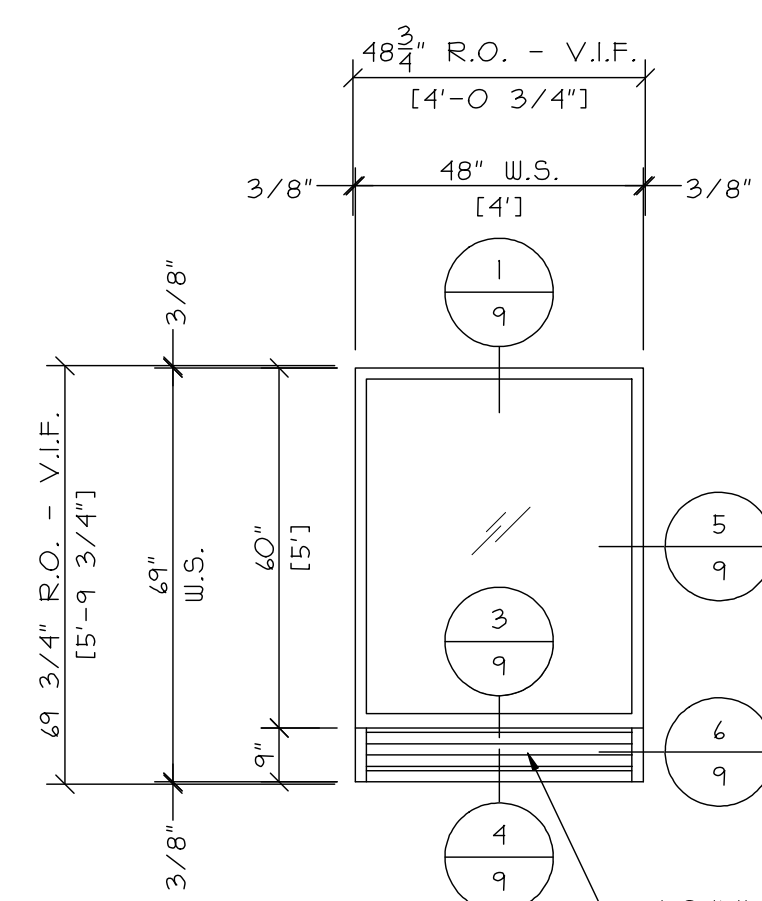
ELEVATION "D1"
 2 TOTAL
 SERIES 4250-05
 PROJECT OUT OVER FIXED
 OVER PROJECT OUT
 HARDWARE KITS: 1, 5



ELEVATION "D2"
 1 TOTAL
 SERIES 4250-05
 PROJECT OUT OVER FIXED
 OVER PROJECT OUT
 HARDWARE KITS: 1, 5

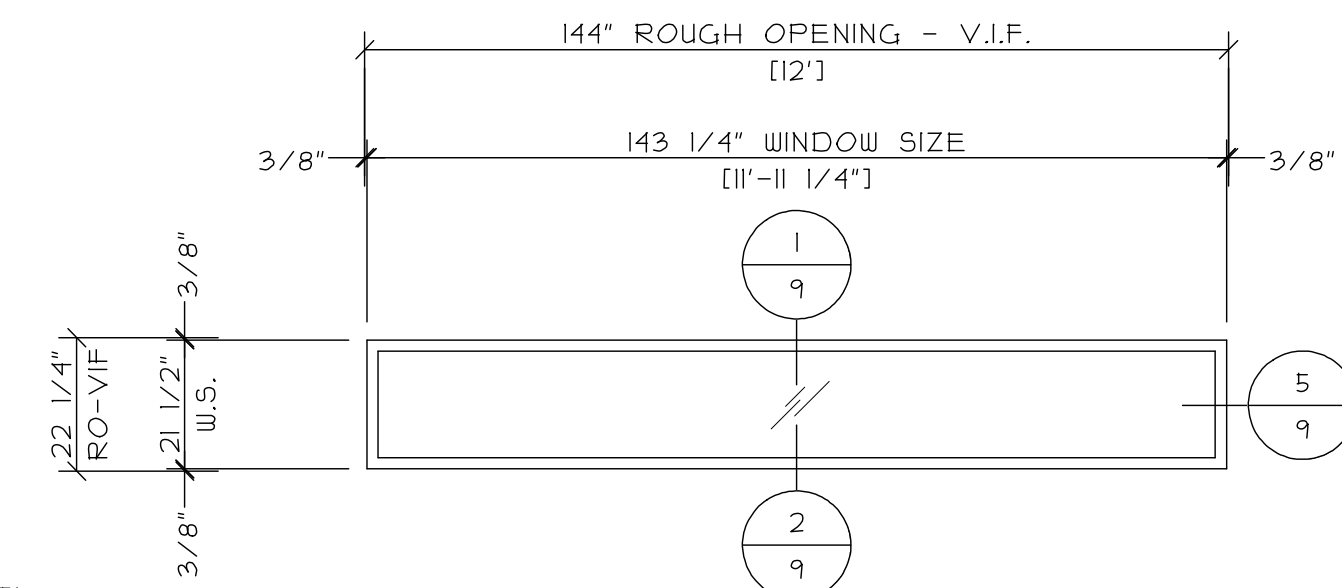


ELEVATION "D2.1"
 1 TOTAL
 SERIES 4250-05
 PROJECT OUT OVER FIXED
 OVER PROJECT OUT
 HARDWARE KITS: 1, 5

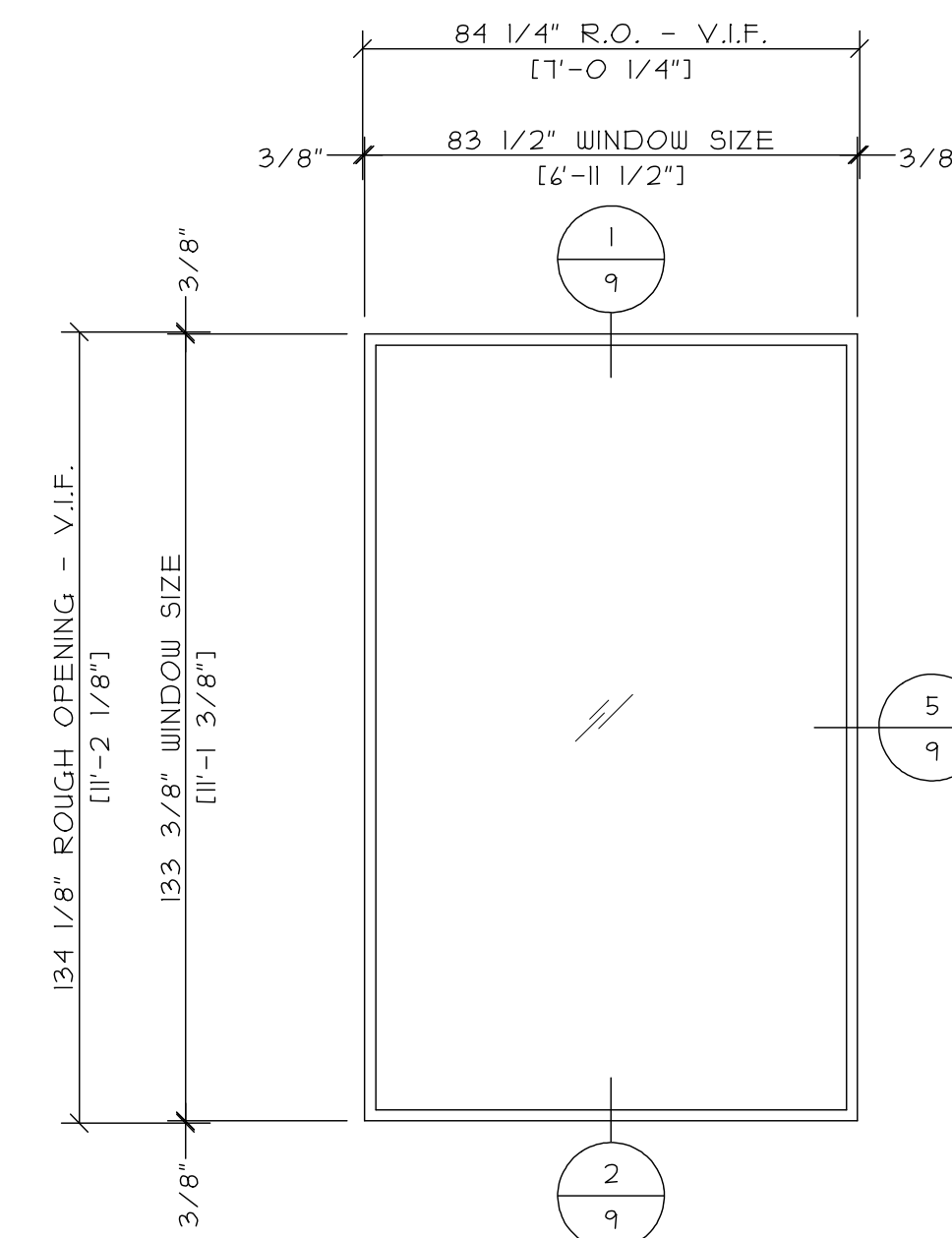


LOUVER BY OTHERS. COORDINATE
 EXACT INSTALLATION METHOD
 WITH SUPPLIER.

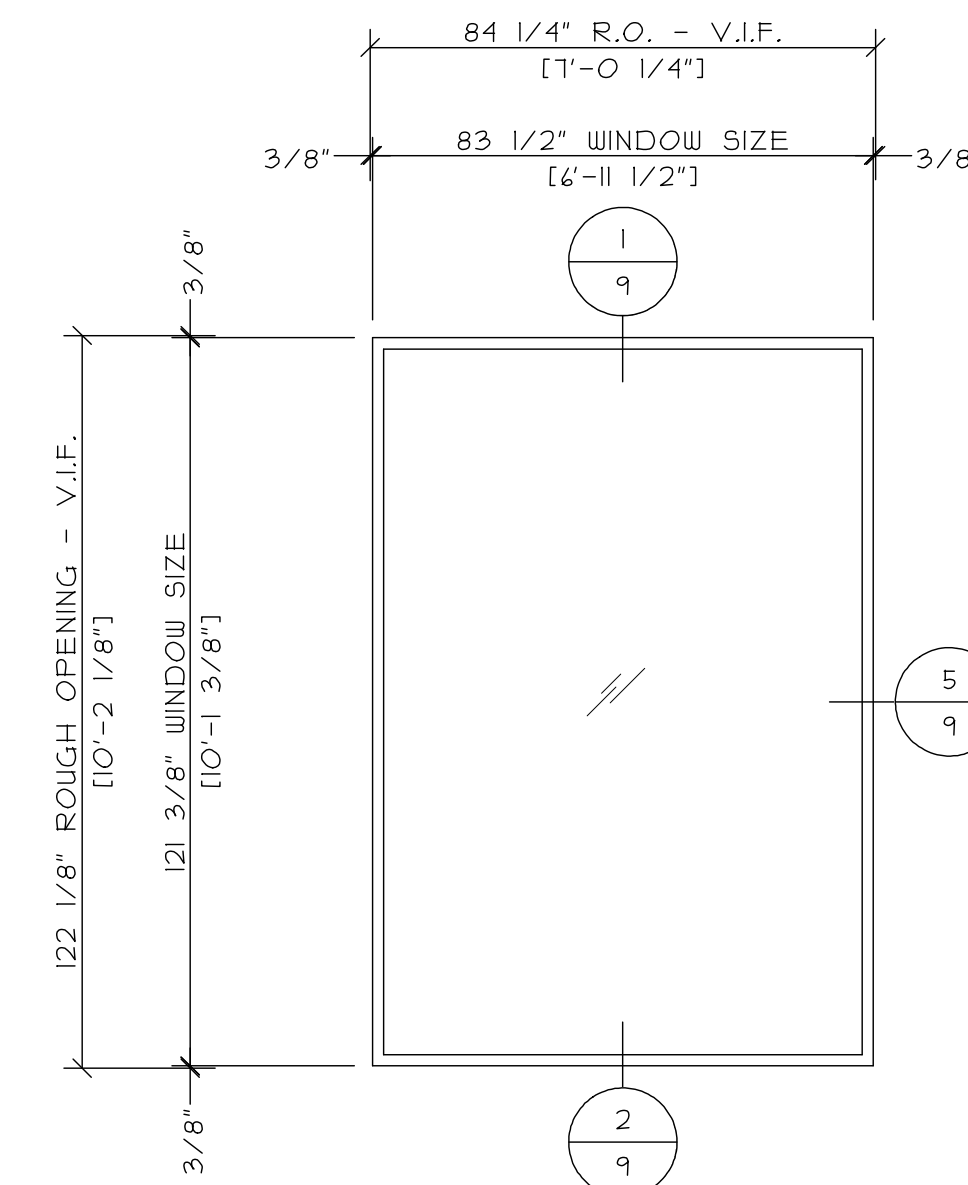
ELEVATION "F"
 1 TOTAL
 SERIES 4250-05
 FIXED OVER LOUVER



ELEVATION "I"
 1 TOTAL
 SERIES 4250-05
 FIXED



ELEVATION "J"
 1 TOTAL
 SERIES 4250-05
 FIXED



ELEVATION "J.1"
 1 TOTAL
 SERIES 4250-05
 FIXED

REVISIONS:

GLAZING CONTRACTOR:

SAMPLE	SAMPLE	SAMPLE
SAMPLE	SAMPLE	SAMPLE
SAMPLE	SAMPLE	SAMPLE
SAMPLE	SAMPLE	SAMPLE
SAMPLE	SAMPLE	SAMPLE

ARCHITECT:

SAMPLE	SAMPLE	SAMPLE
SAMPLE	SAMPLE	SAMPLE
SAMPLE	SAMPLE	SAMPLE
SAMPLE	SAMPLE	SAMPLE
SAMPLE	SAMPLE	SAMPLE

PROJECT: SAMPLE SAMPLE SAMPLE

LOCATION: SAMPLE SAMPLE SAMPLE

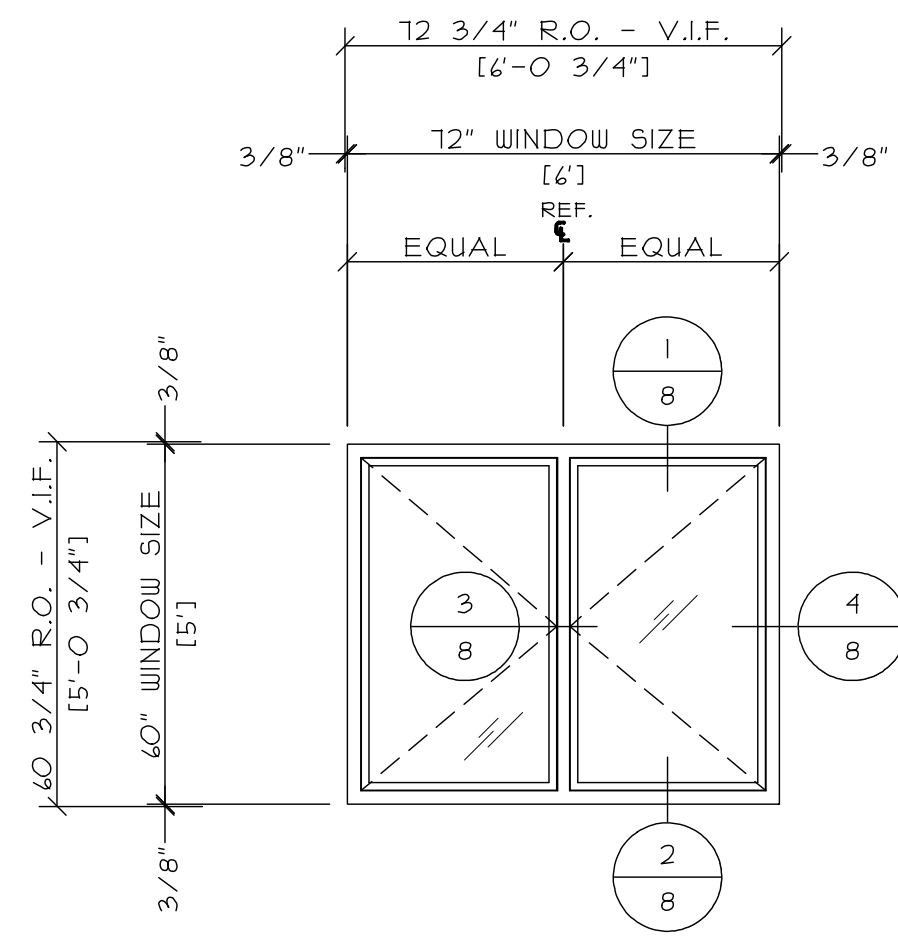
SCALE:
 3/8" = 1'-0"

DATE:
 SAMPLE

DRAWN:
 SAMPLE

PAGE:
 5 of 14

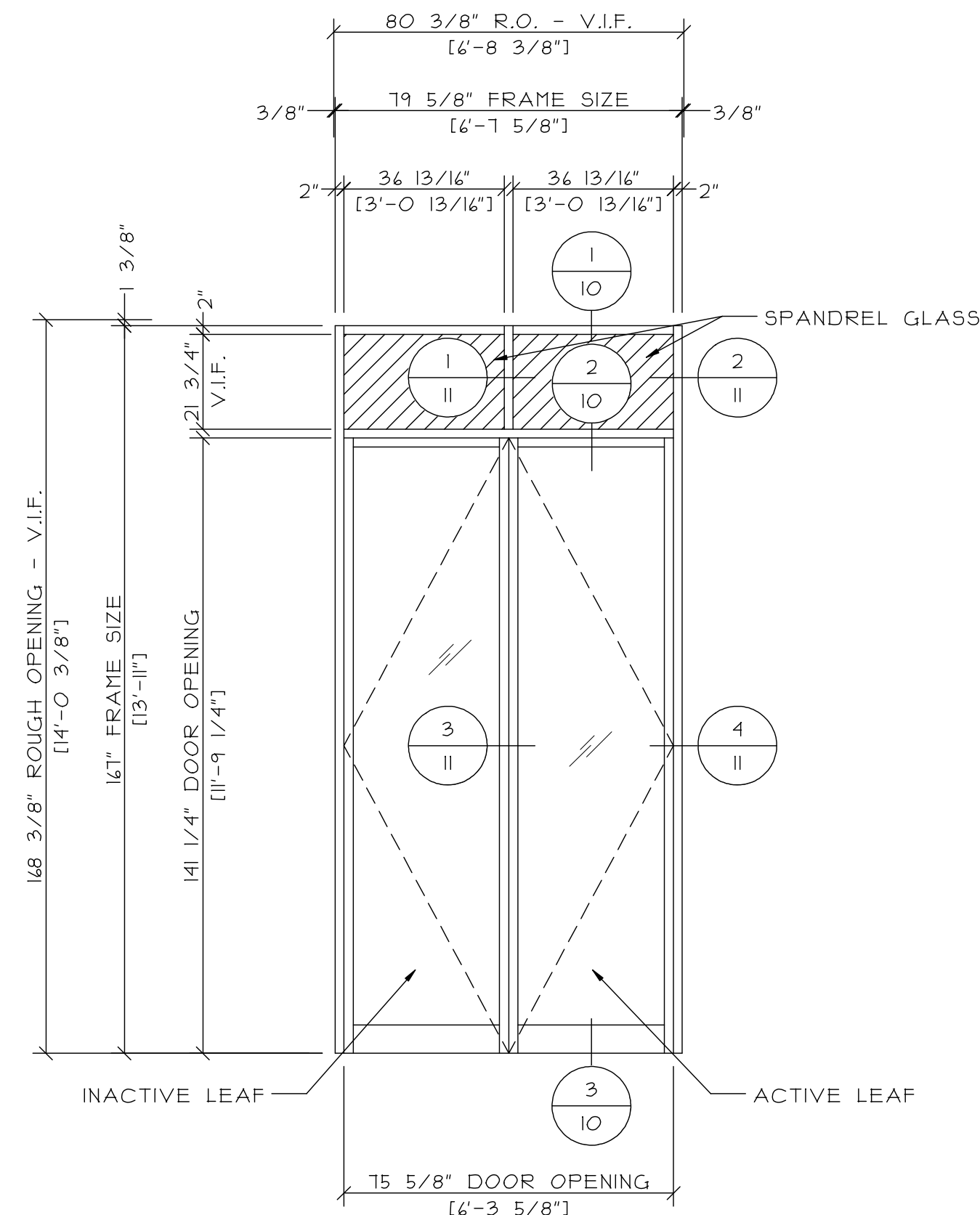
DATE:



ELEVATION "E"

1 TOTAL

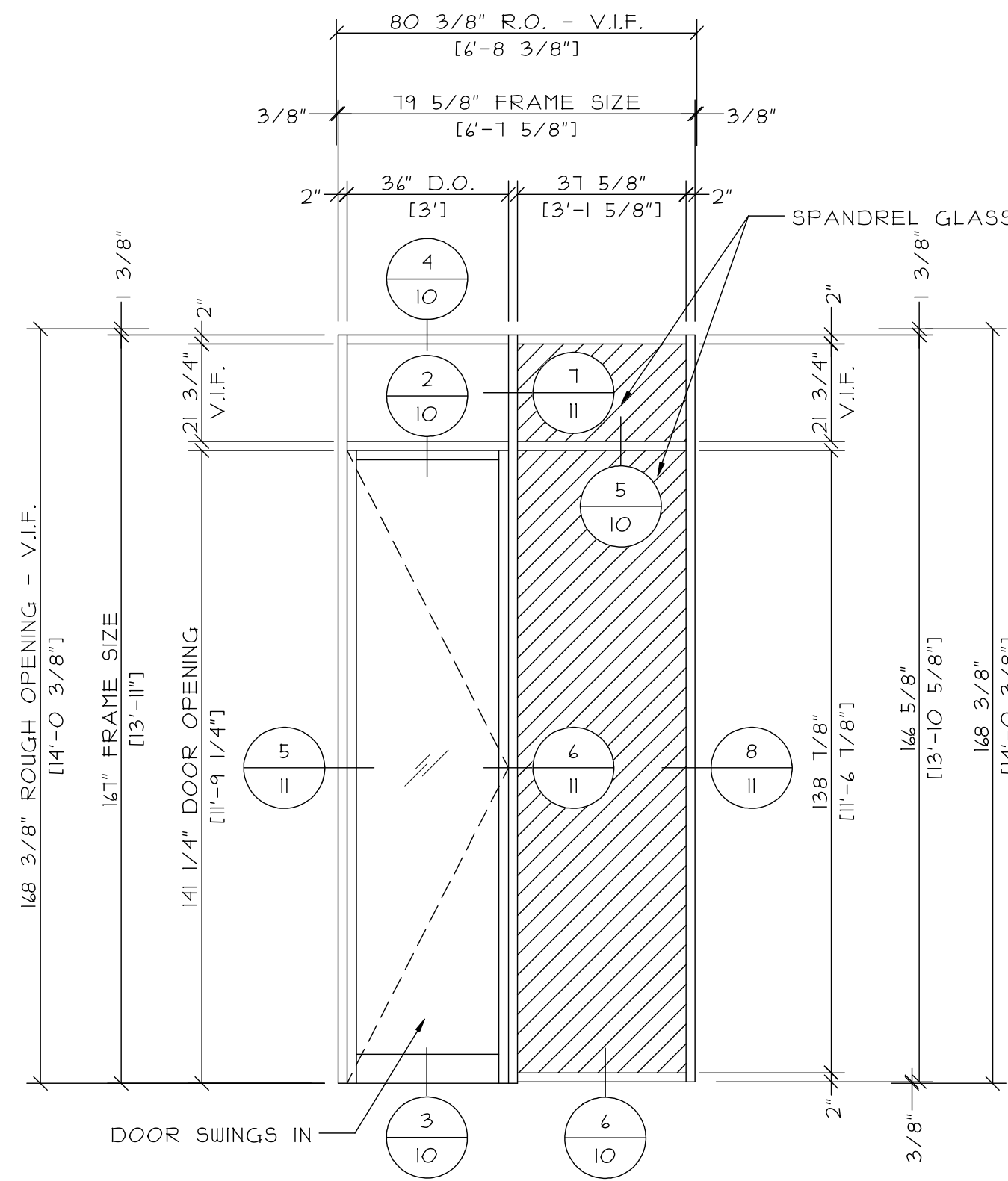
SERIES 4250-OS DOUBLE CASEMENT
HARDWARE KIT: 8



ELEVATION "5"

1 TOTAL

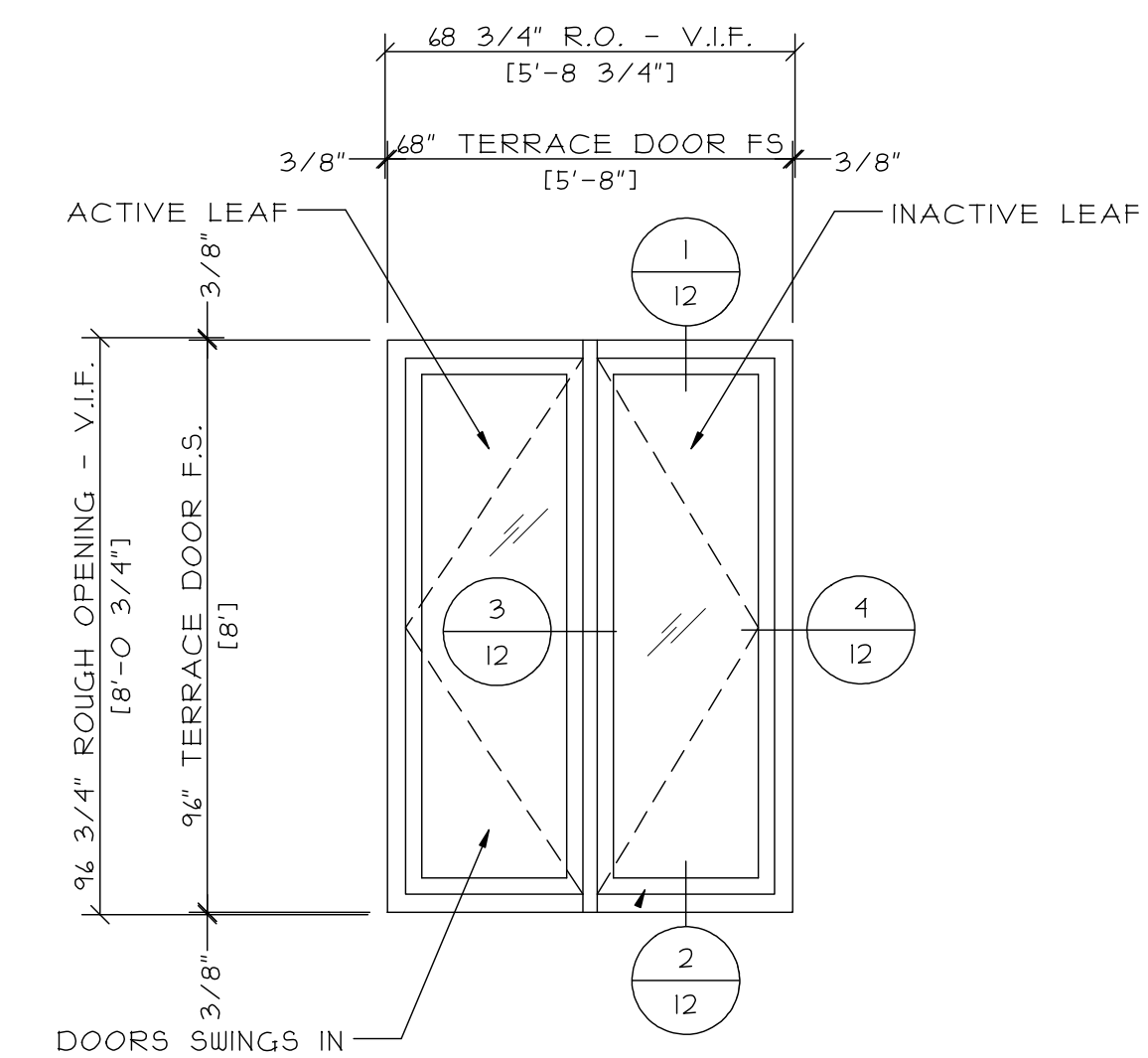
EI4000 WITH NARROW
STILE DOOR
DOOR # 101.I
HARDWARE SET #12



ELEVATION "6"

1 TOTAL

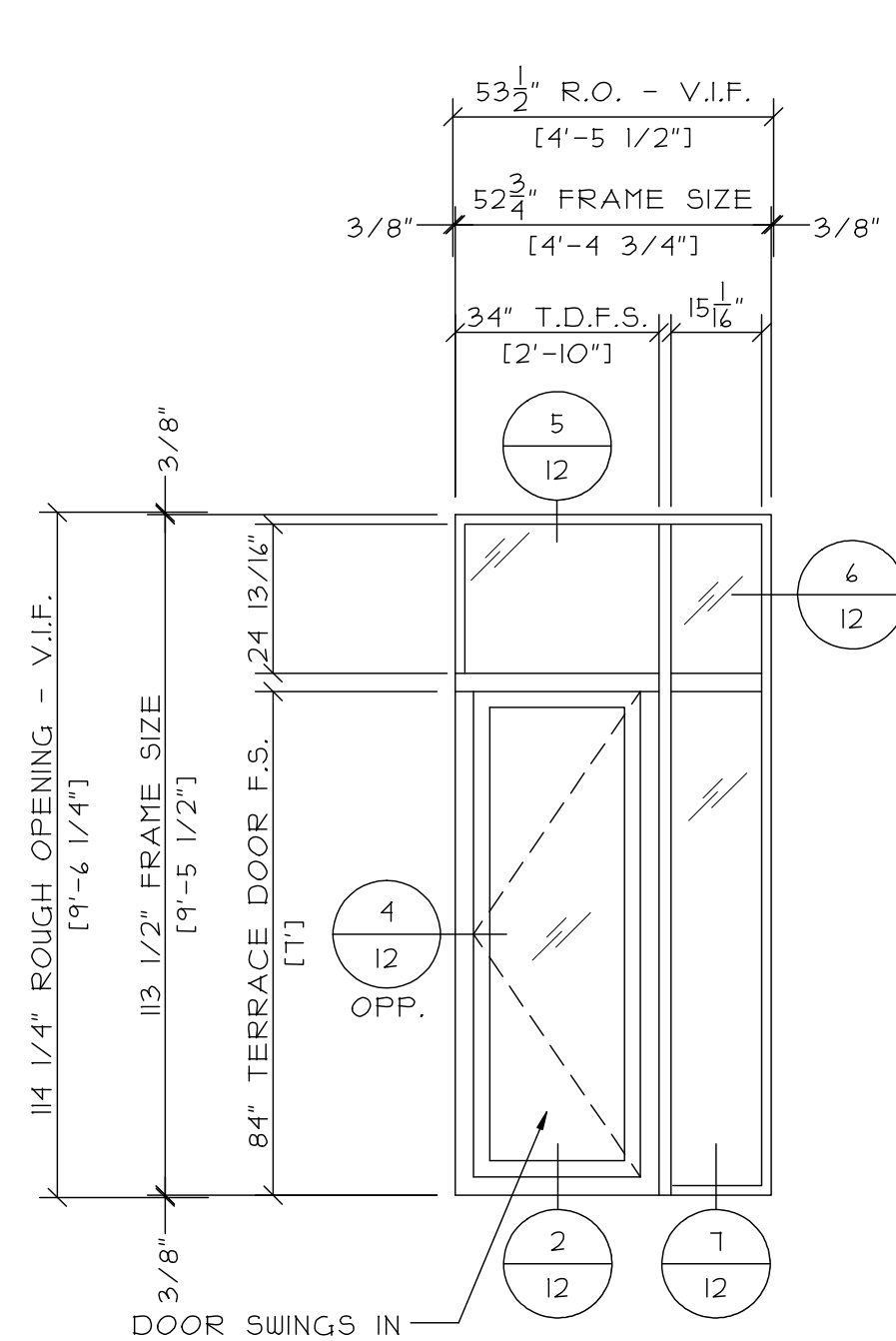
EI4000/TI4000 WITH
NARROW STILE DOOR
DOOR # 103.I
HARDWARE SET #13



ELEVATION "HH"

2 TOTAL

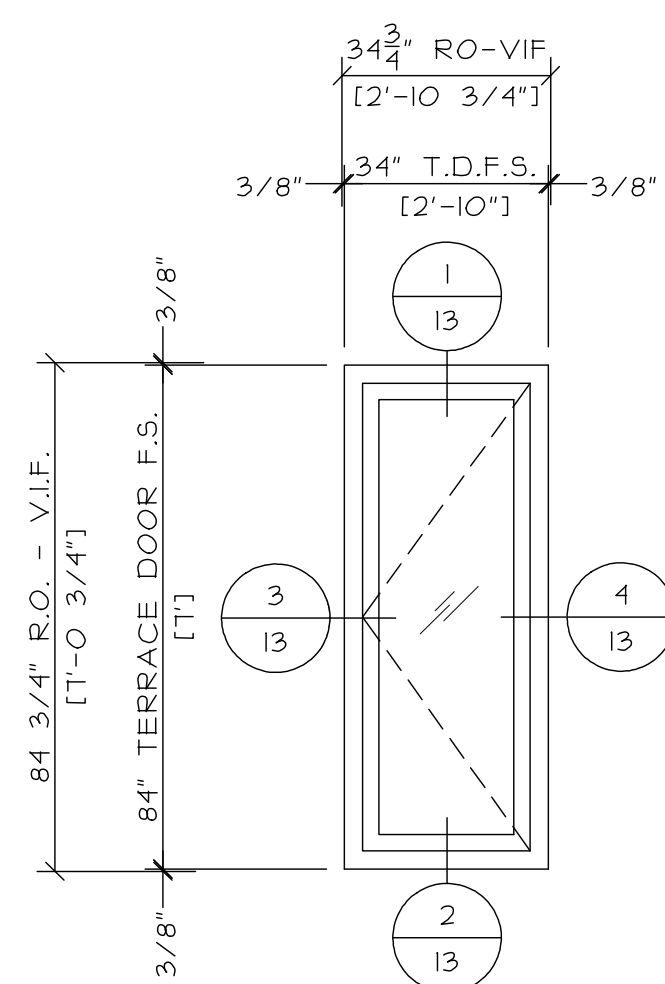
TD-4250i INSWING TERRACE DOORS
DOOR #106.I, HW# 8
DOOR #109.I, HW# 8



ELEVATION "H"

1 TOTAL

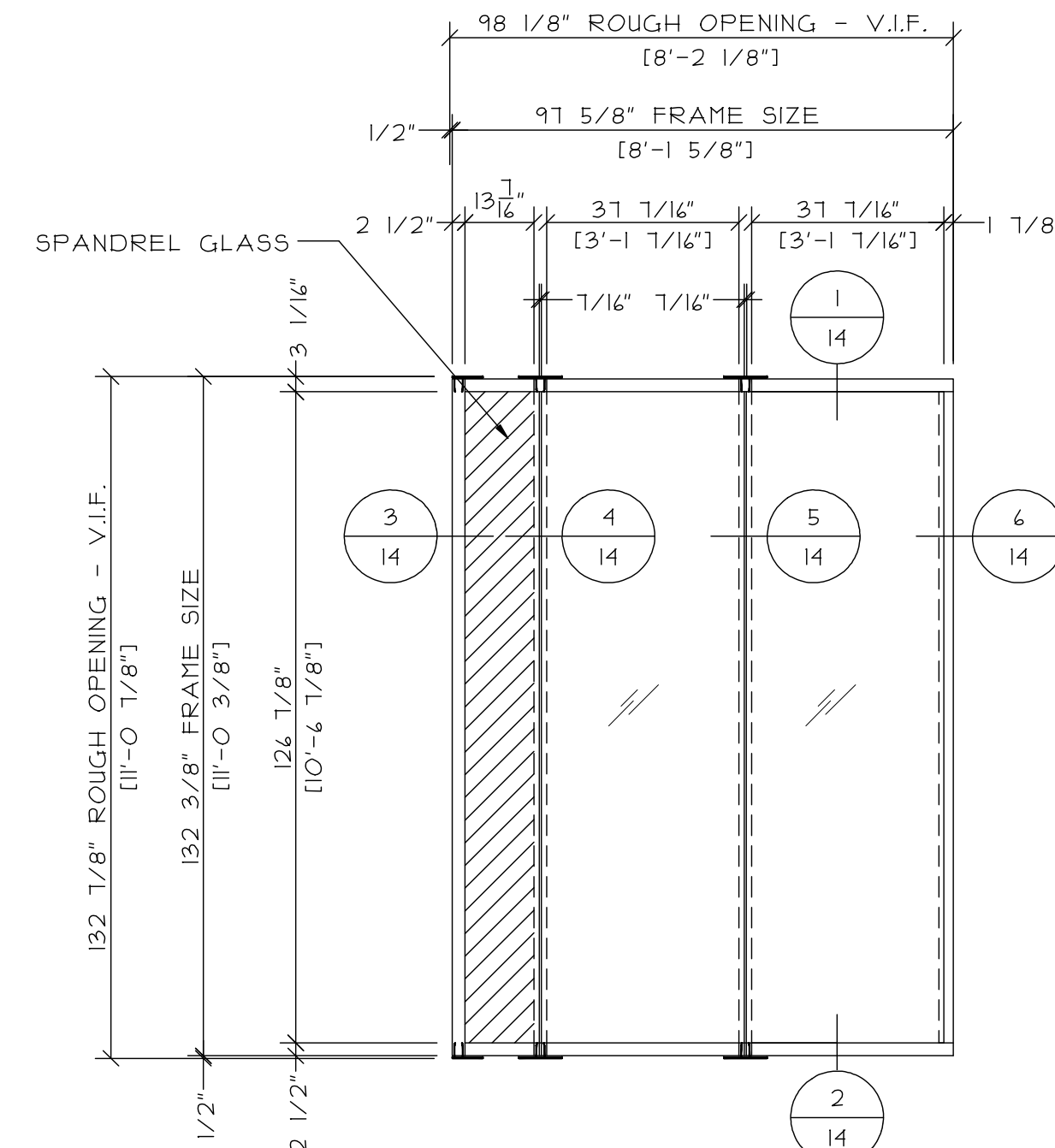
TD-4250i INSWING
TERRACE DOOR
DOOR #913.I, HW# 8.I



ELEVATION "H.1"

1 TOTAL

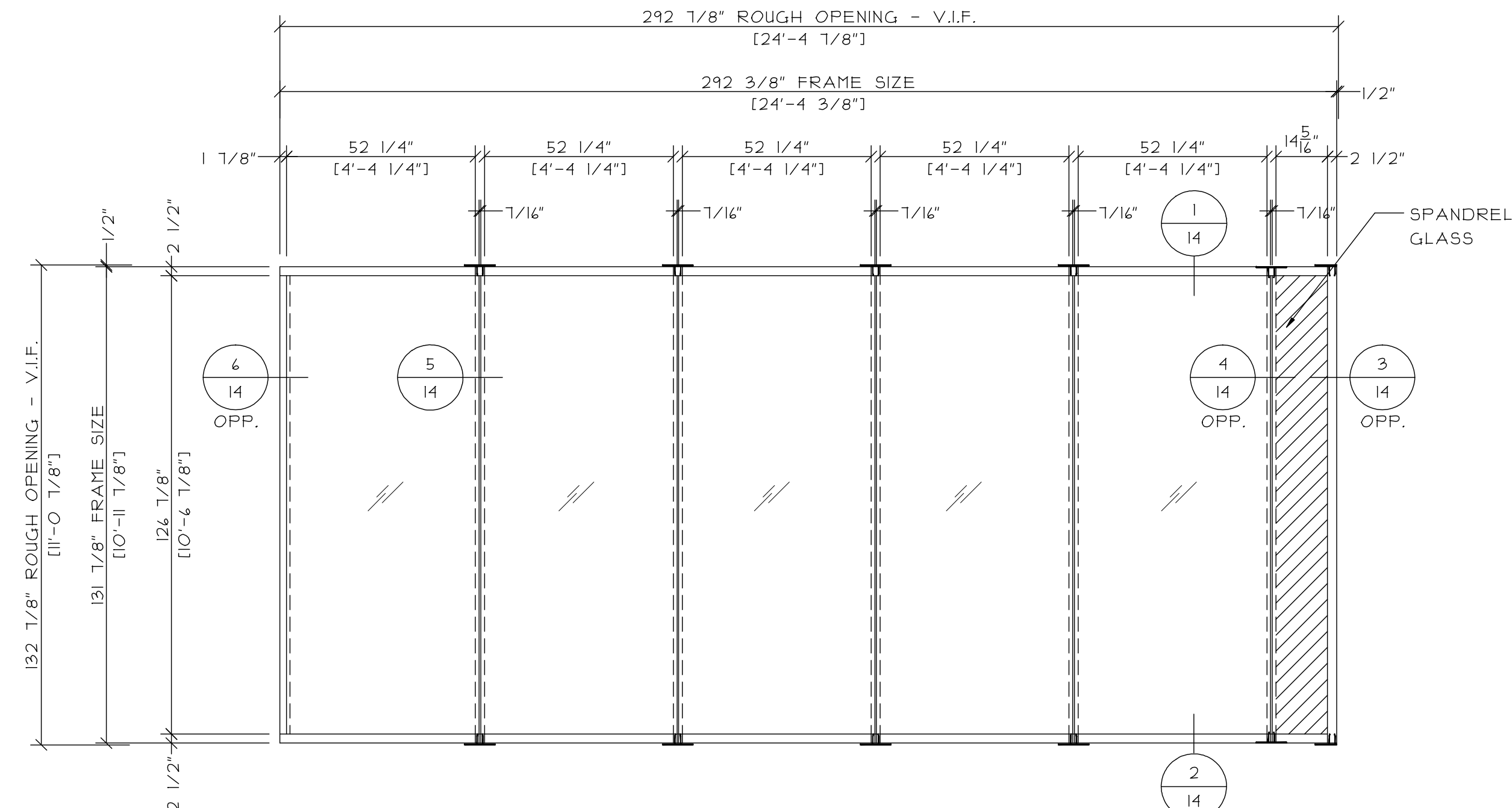
TD-4250i OUTSWING
TERRACE DOOR
DOOR #1003.2, HW# 8.I



ELEVATION "G"

1 TOTAL

SERIES 400 CURTAIN WALL



ELEVATION "H.2"

1 TOTAL

SERIES 400 CURTAIN WALL

LF - DENOTES LOCATION OF "F" & "T" ANCHORS. SEE DETAILS ON PAGE 14

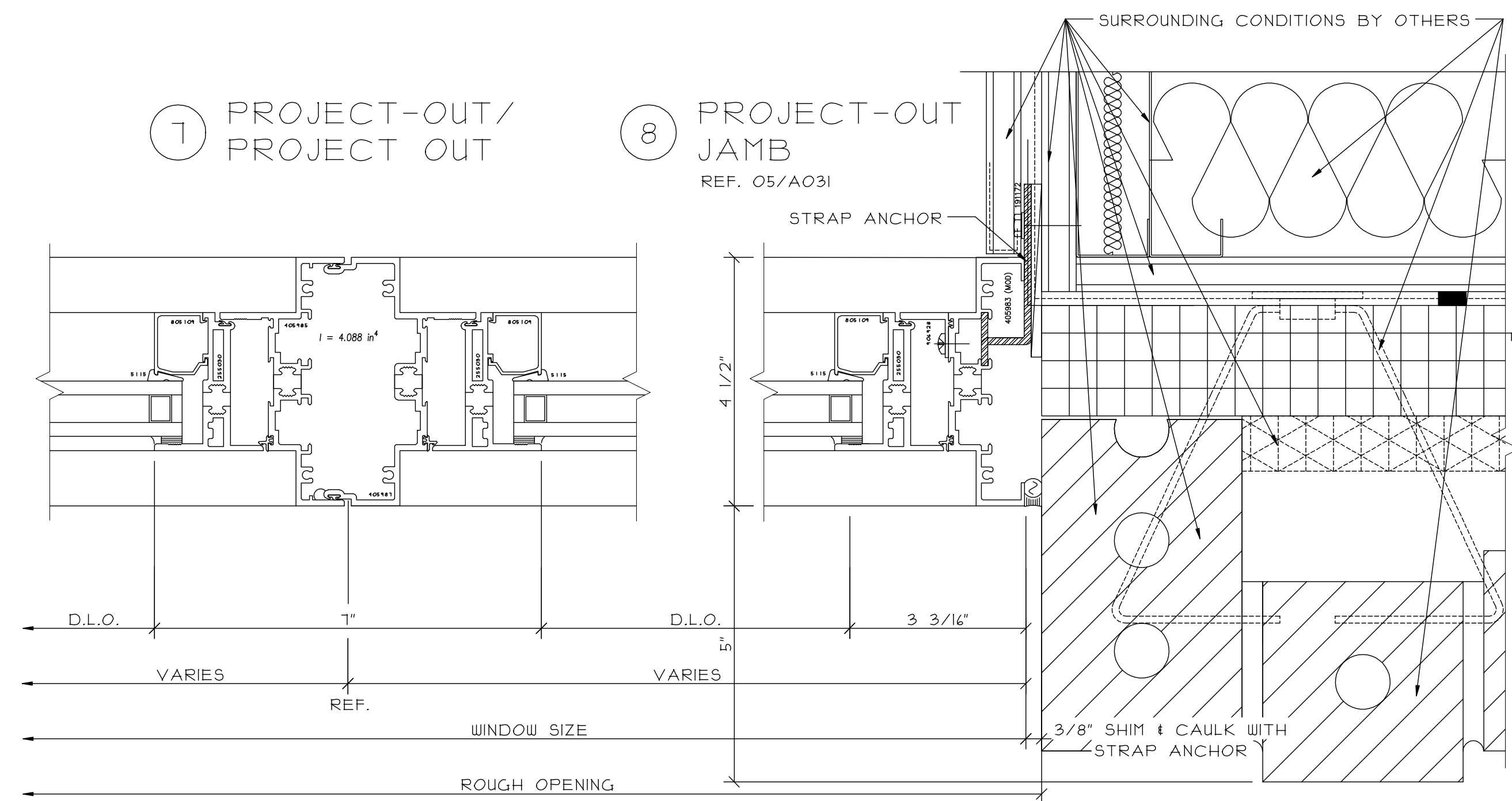
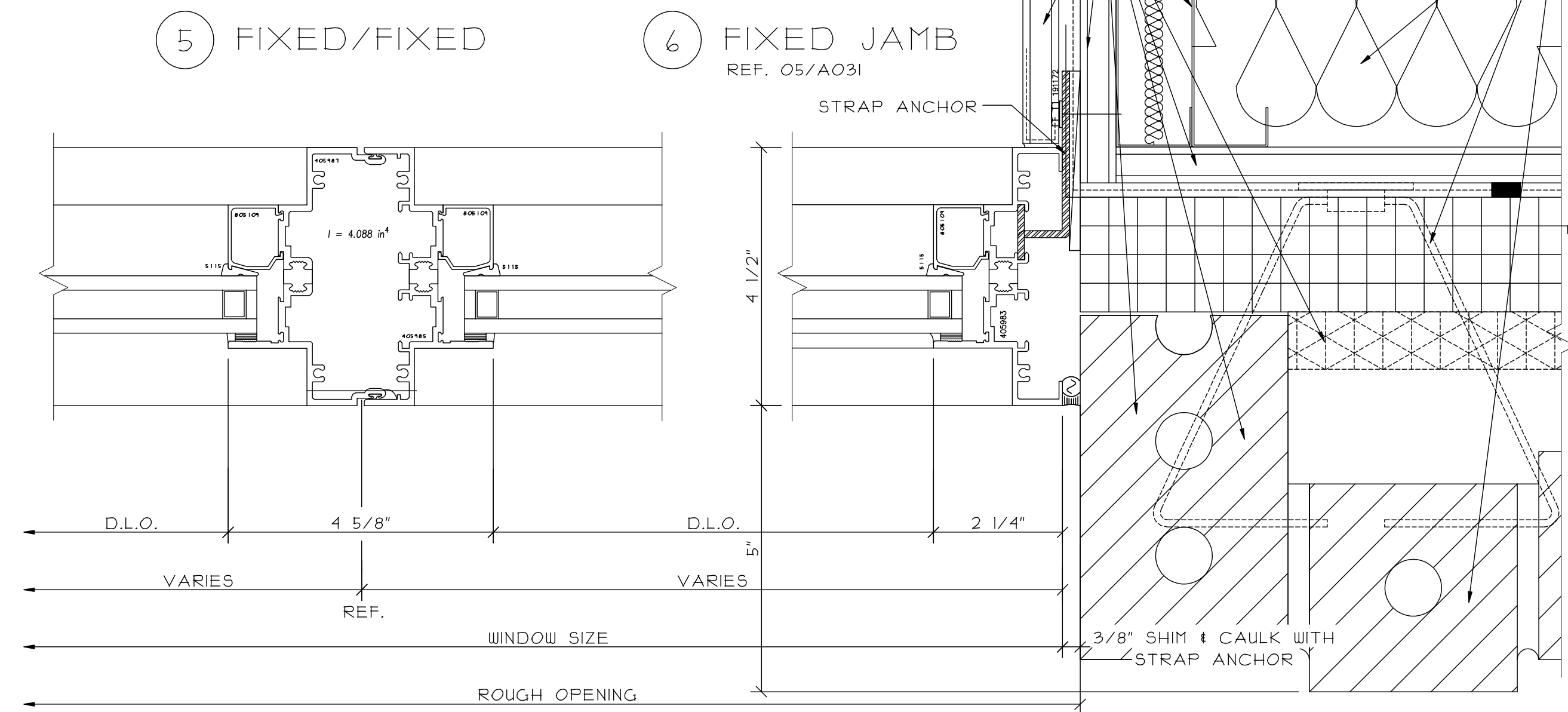
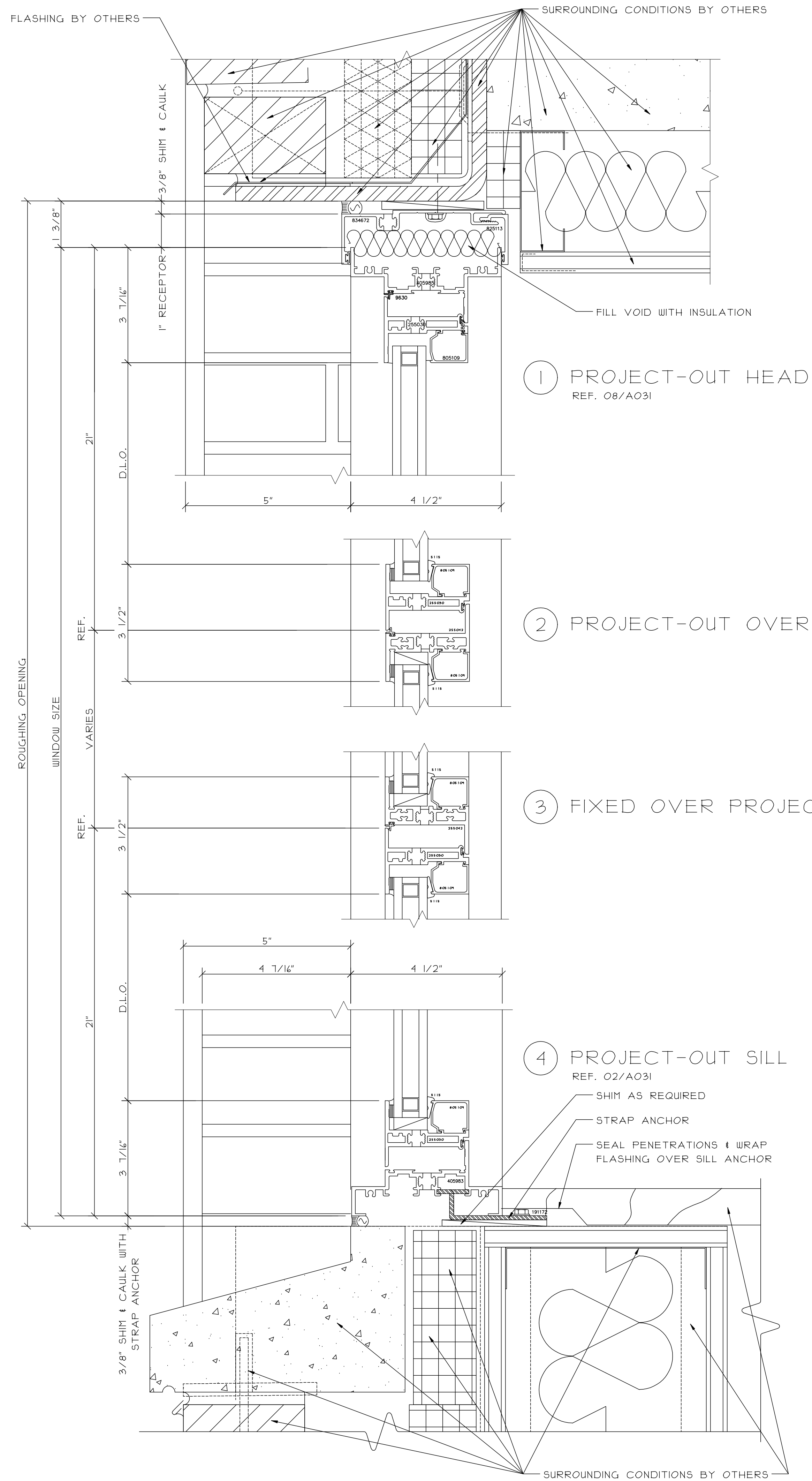
REVISIONS:	DATE:

GLAZING CONTRACTOR:	SAMPLE SAMPLE SAMPLE
	SAMPLE SAMPLE SAMPLE
	SAMPLE SAMPLE SAMPLE
	SAMPLE SAMPLE SAMPLE
	SAMPLE SAMPLE SAMPLE

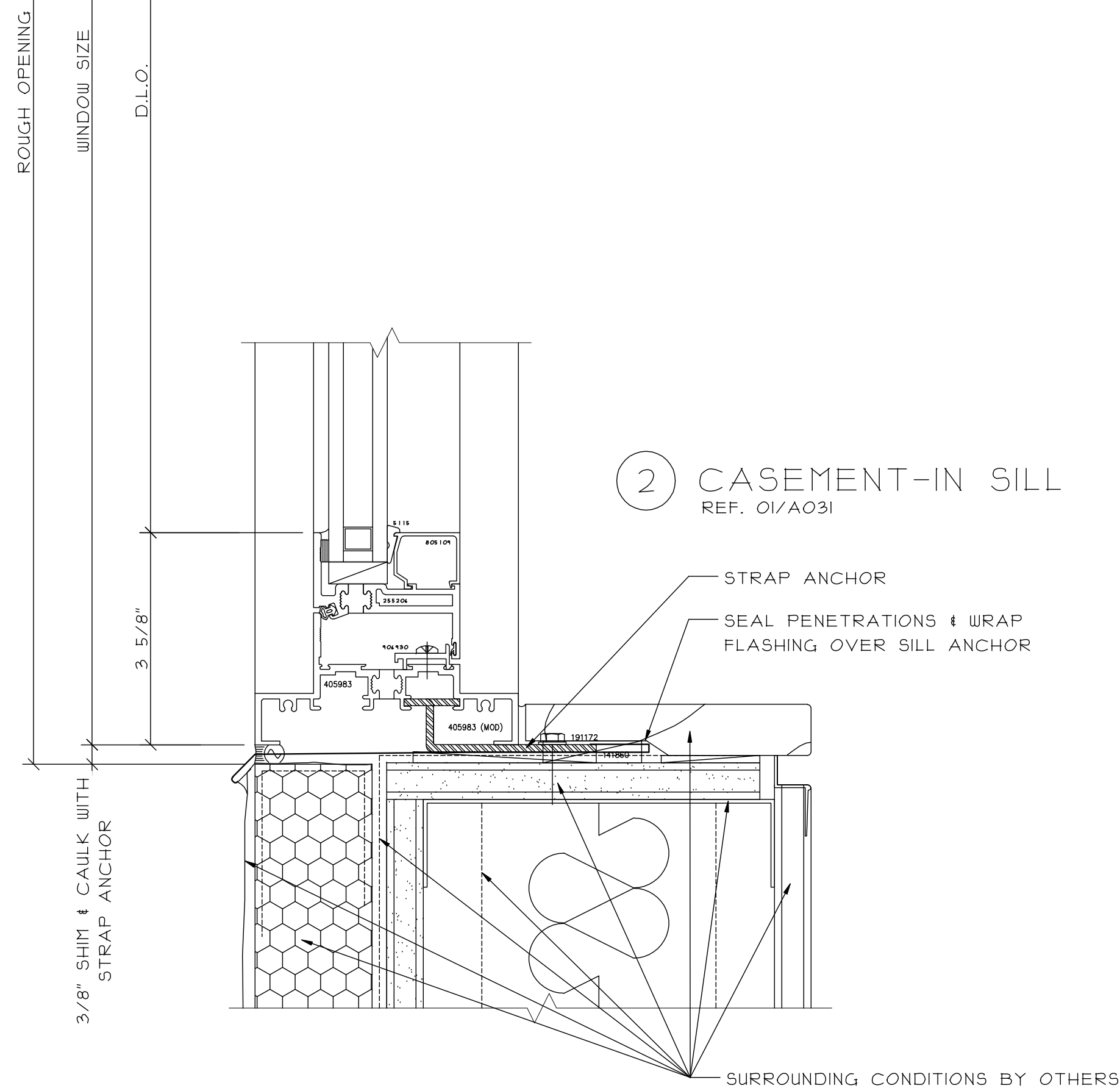
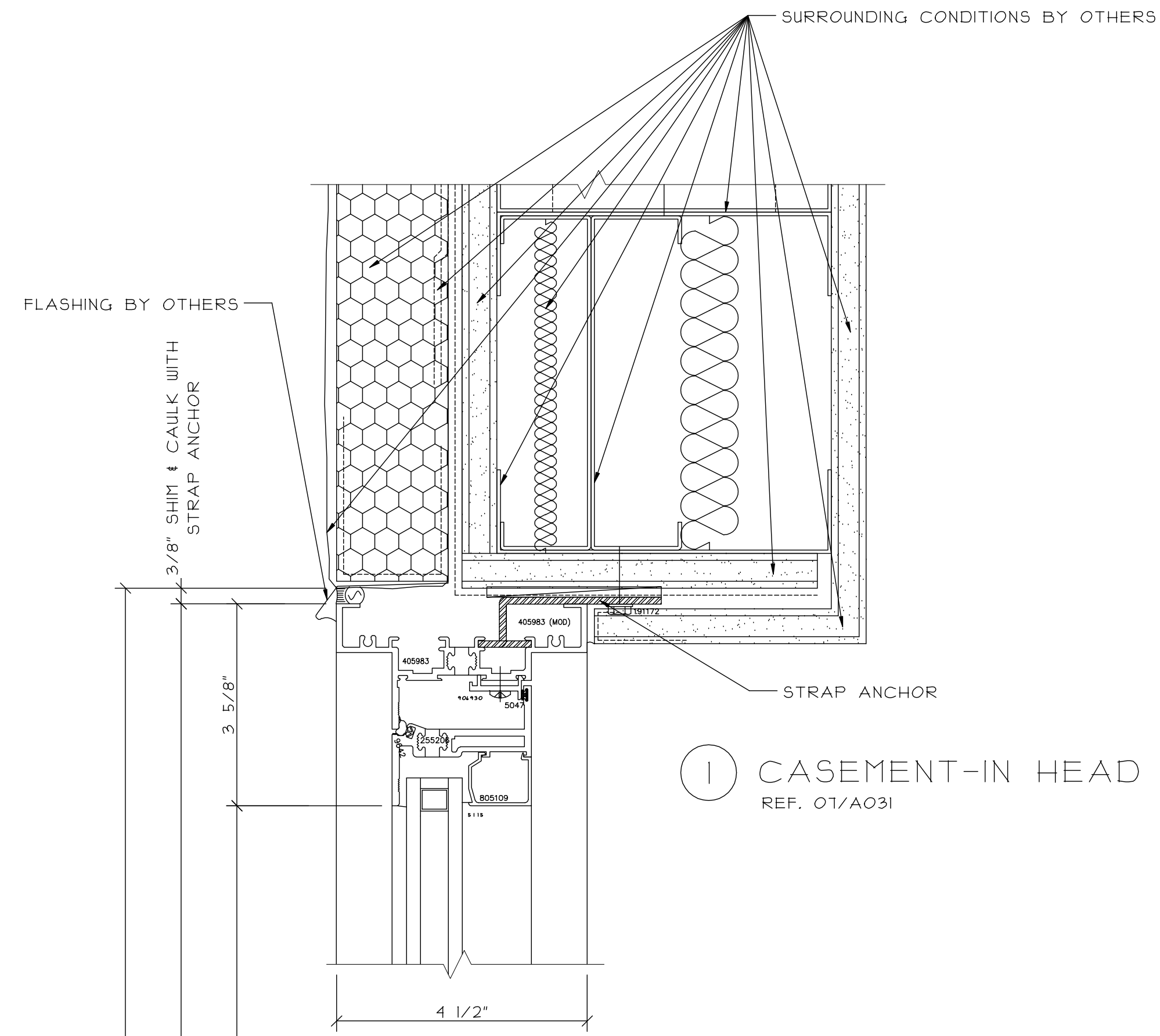
ARCHITECT:	SAMPLE SAMPLE SAMPLE
	SAMPLE SAMPLE SAMPLE
	SAMPLE SAMPLE SAMPLE
	SAMPLE SAMPLE SAMPLE
	SAMPLE SAMPLE SAMPLE

PROJECT:	SAMPLE SAMPLE SAMPLE
LOCATION:	SAMPLE SAMPLE SAMPLE

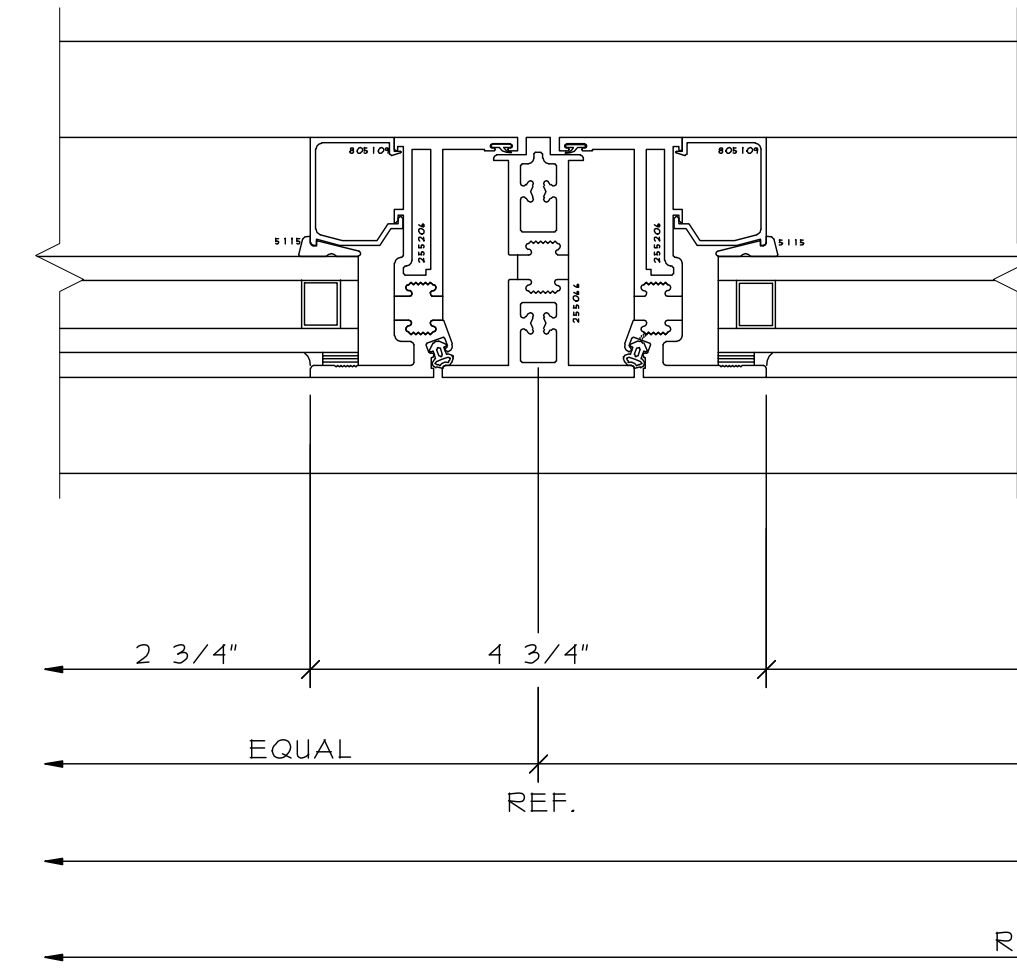
SCALE:	3/8" = 1'-0"
DATE:	SAMPLE
DRAWN:	SAMPLE
PAGE:	6 of 14



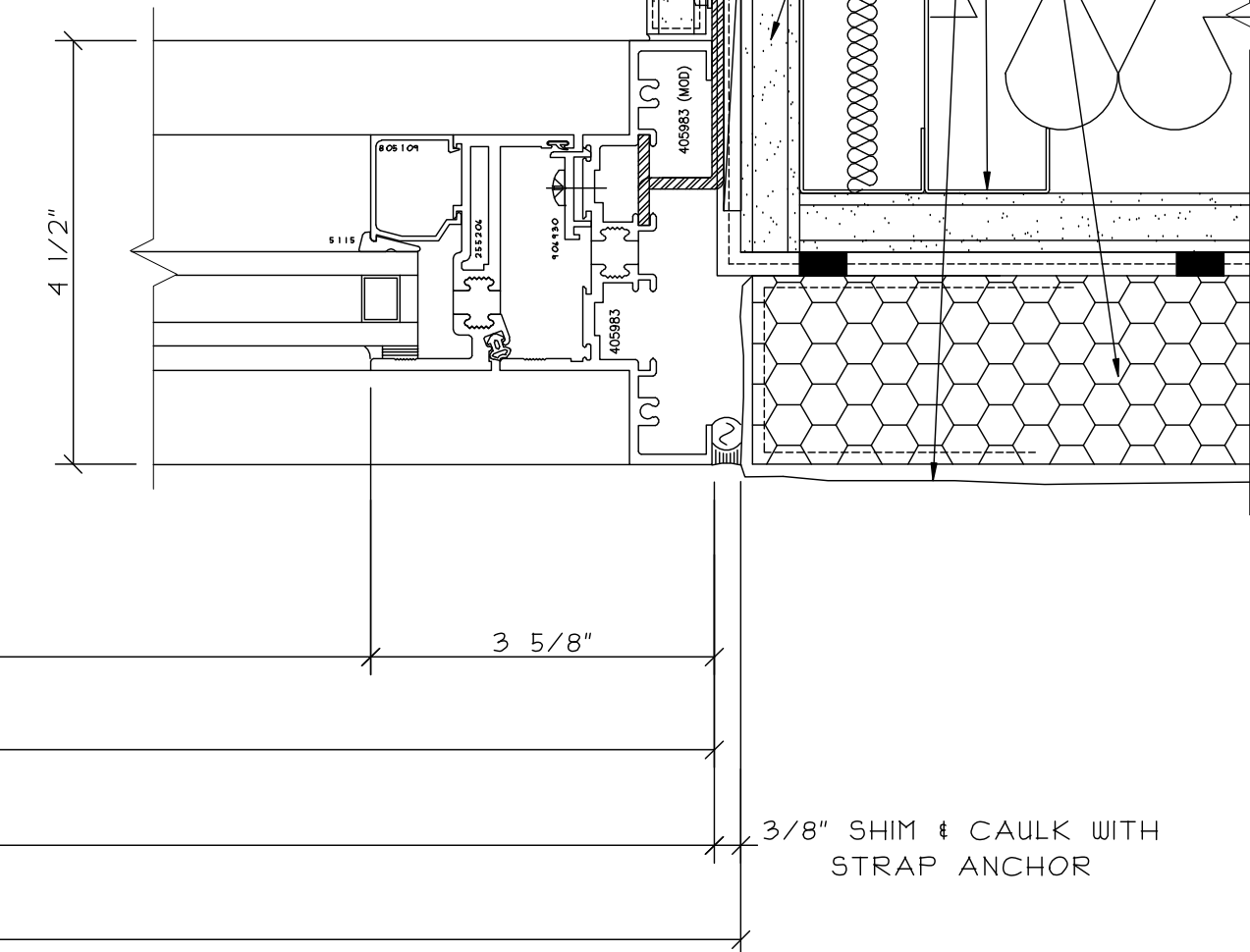
PROJECT:	SAMPLE SAMPLE SAMPLE
LOCATION:	SAMPLE SAMPLE SAMPLE
SCALE:	6" = 1'-0"
DATE:	SAMPLE
DRAWN:	SAMPLE
PAGE:	7 of 14
GLAZING CONTRACTOR:	SAMPLE SAMPLE SAMPLE
ARCHITECT:	SAMPLE SAMPLE SAMPLE
REVISIONS:	
DATE:	



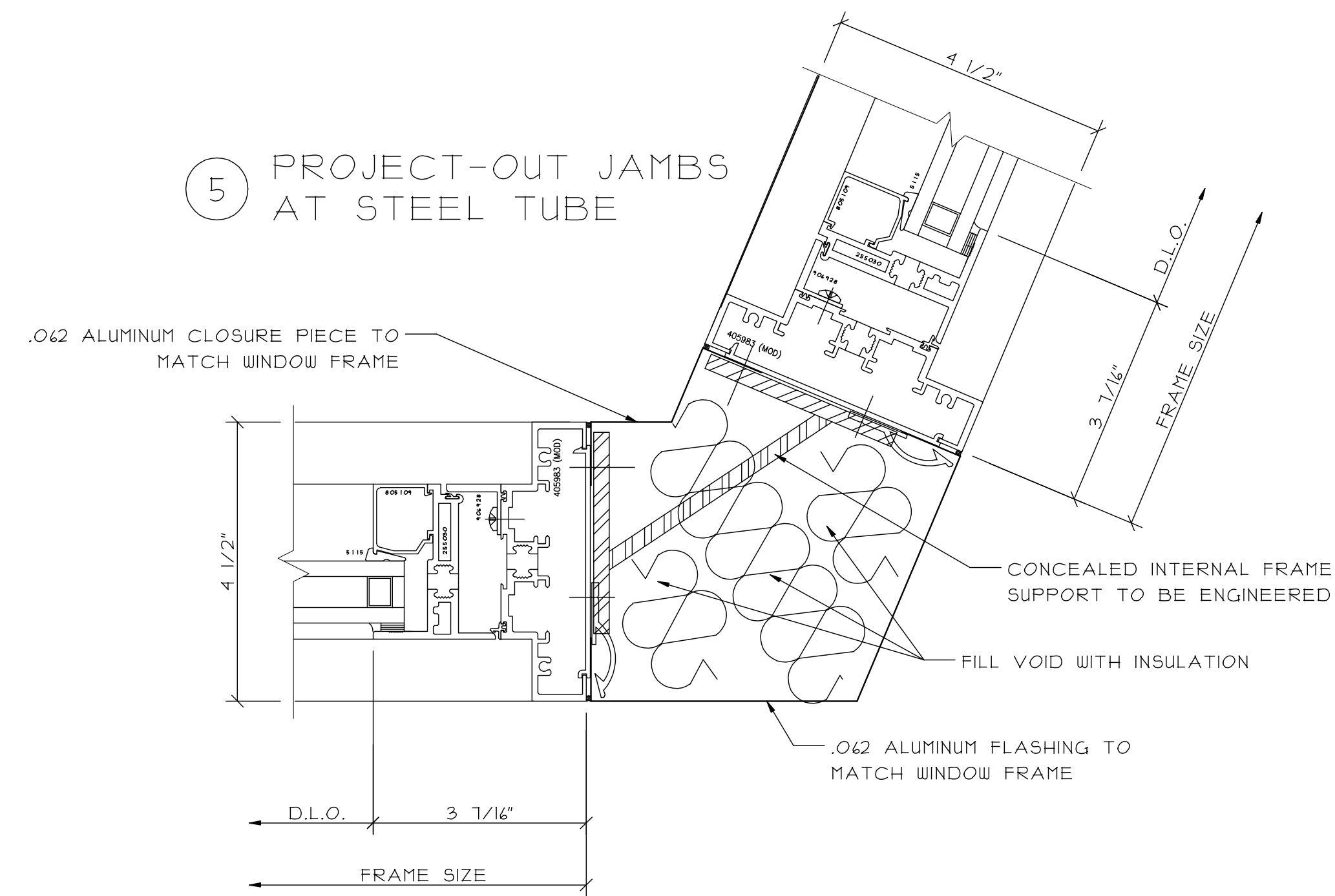
3 CASEMENT-IN/
CASEMENT-IN



4 CASEMENT-IN
JAMB
REF. 04/A031



5 PROJECT-OUT JAMBS
AT STEEL TUBE



REVISIONS:

GLAZING CONTRACTOR:
SAMPLE SAMPLE SAMPLE
SAMPLE SAMPLE SAMPLE
SAMPLE SAMPLE SAMPLE
SAMPLE SAMPLE SAMPLE
SAMPLE SAMPLE SAMPLE

ARCHITECT:
SAMPLE SAMPLE SAMPLE
SAMPLE SAMPLE SAMPLE
SAMPLE SAMPLE SAMPLE
SAMPLE SAMPLE SAMPLE
SAMPLE SAMPLE SAMPLE

PROJECT: SAMPLE SAMPLE SAMPLE

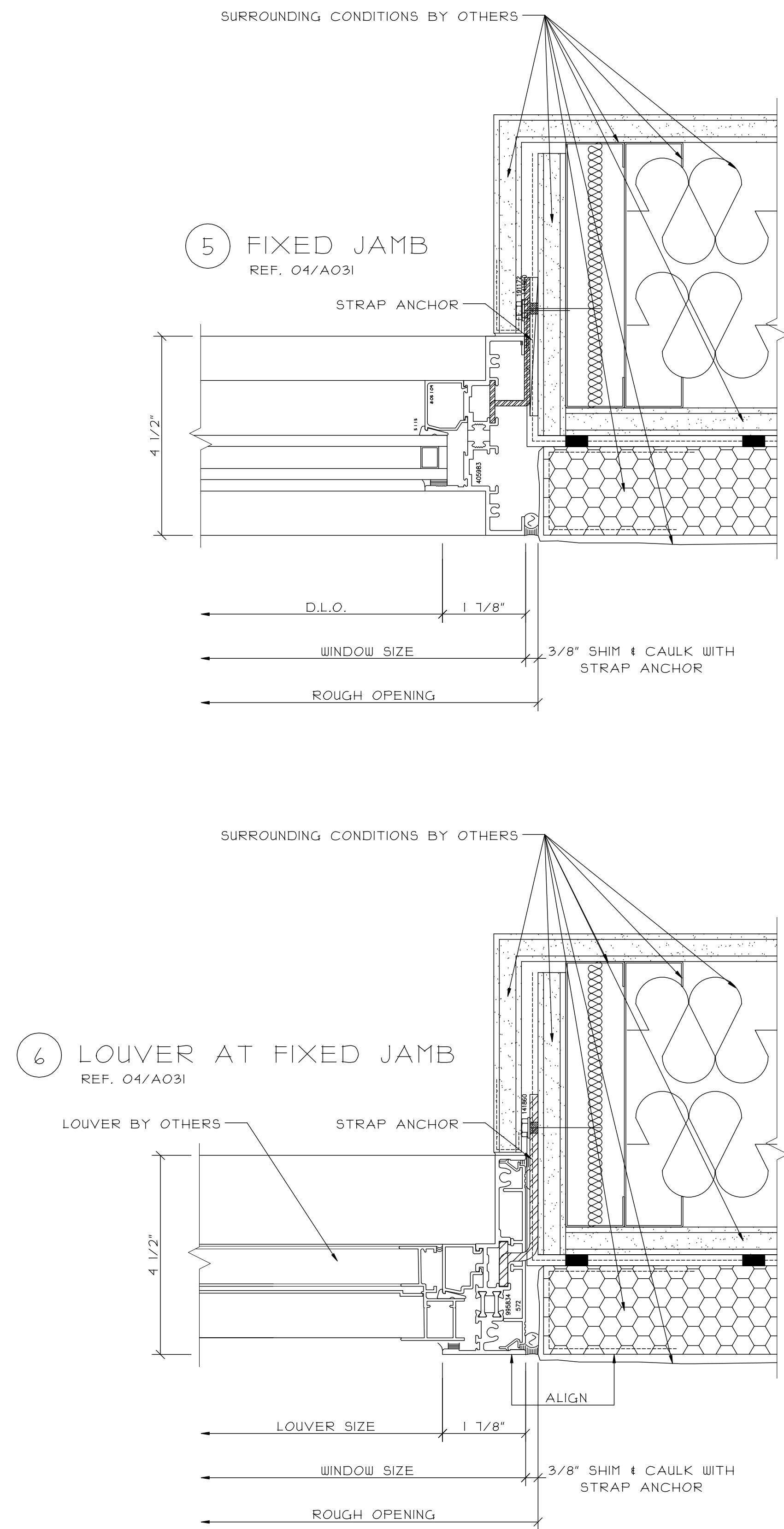
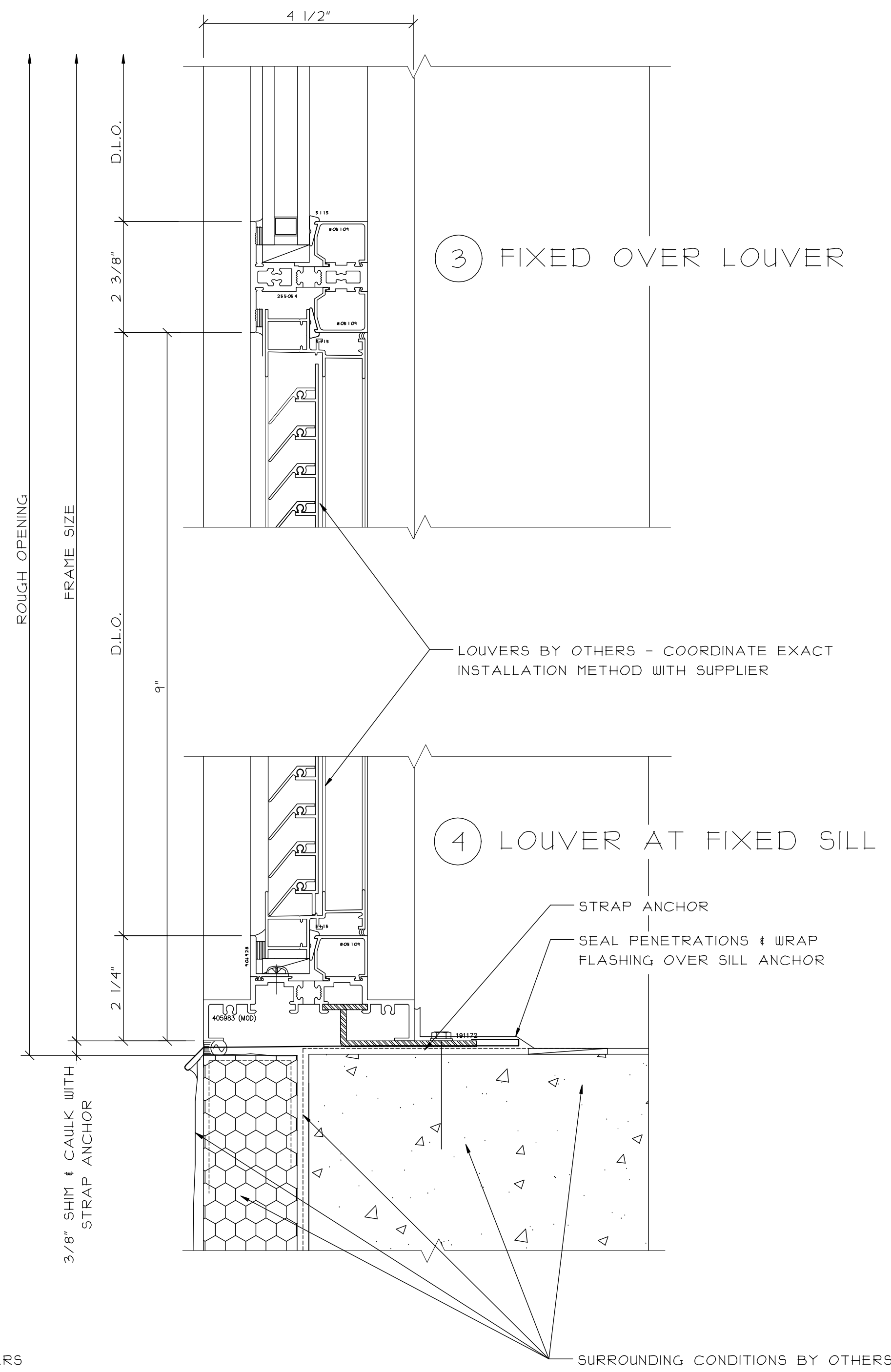
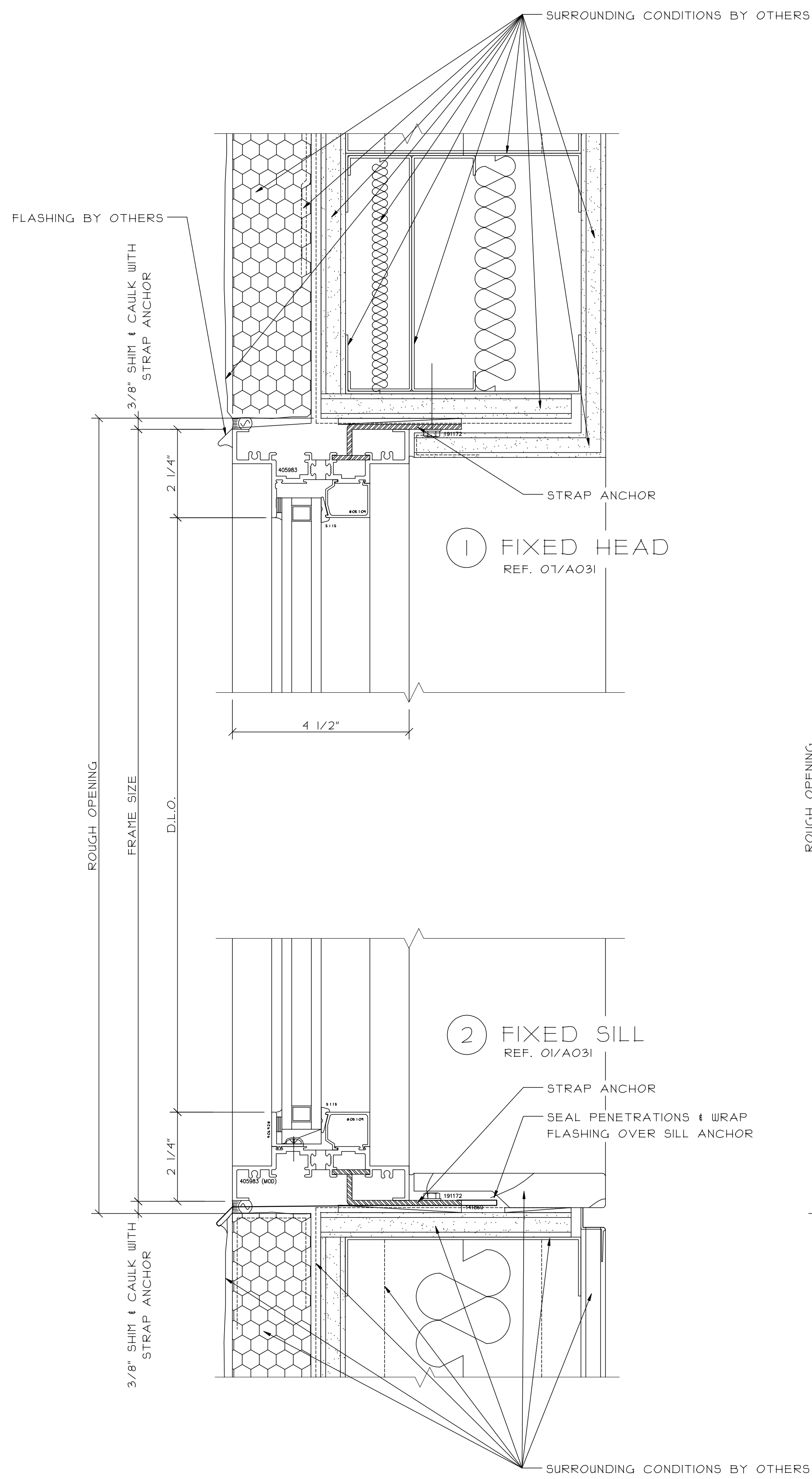
LOCATION: SAMPLE SAMPLE SAMPLE

SCALE:
6" = 1'-0"

DATE:
SAMPLE

DRAWN:
SAMPLE

PAGE:
8 of 14



REVISIONS:

GLAZING CONTRACTOR:
 SAMPLE SAMPLE SAMPLE
 SAMPLE SAMPLE SAMPLE
 SAMPLE SAMPLE SAMPLE
 SAMPLE SAMPLE SAMPLE

ARCHITECT:
 SAMPLE SAMPLE SAMPLE
 SAMPLE SAMPLE SAMPLE
 SAMPLE SAMPLE SAMPLE
 SAMPLE SAMPLE SAMPLE

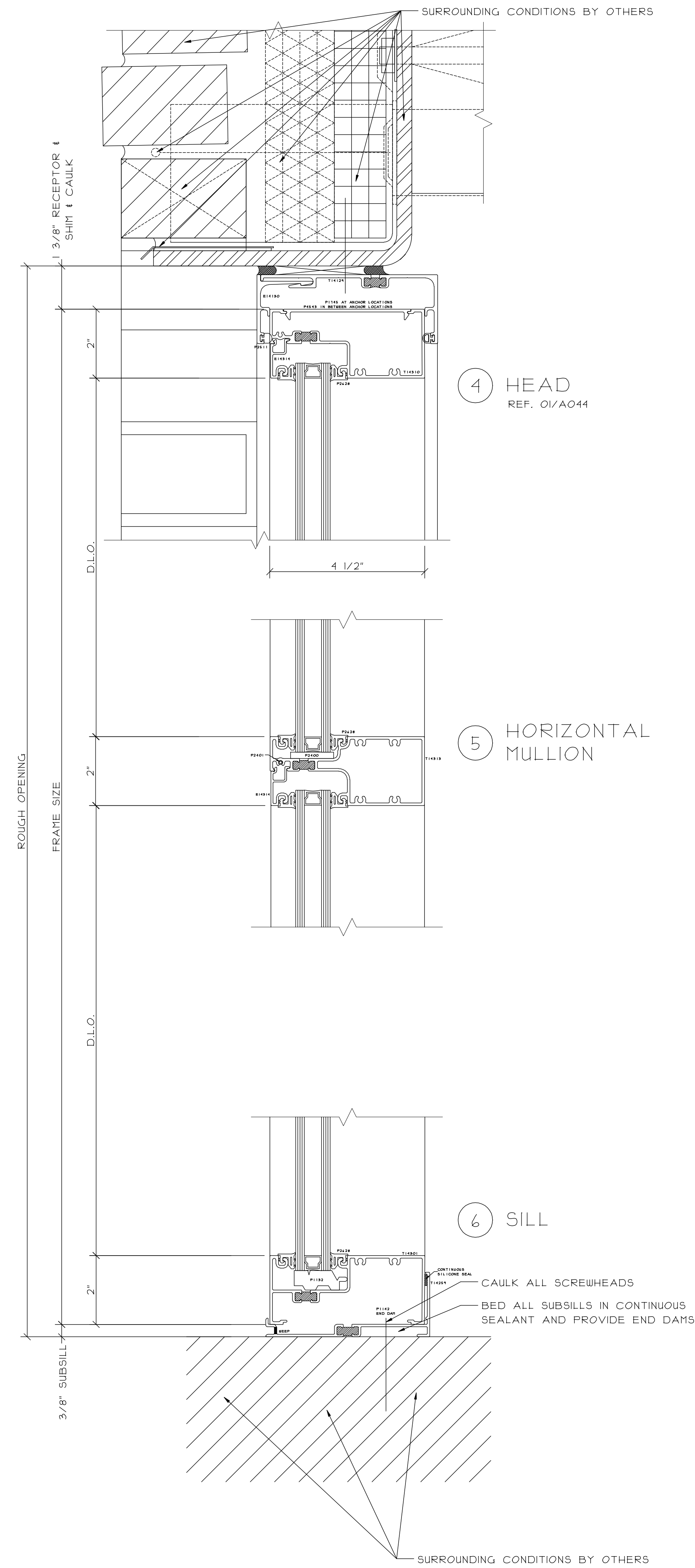
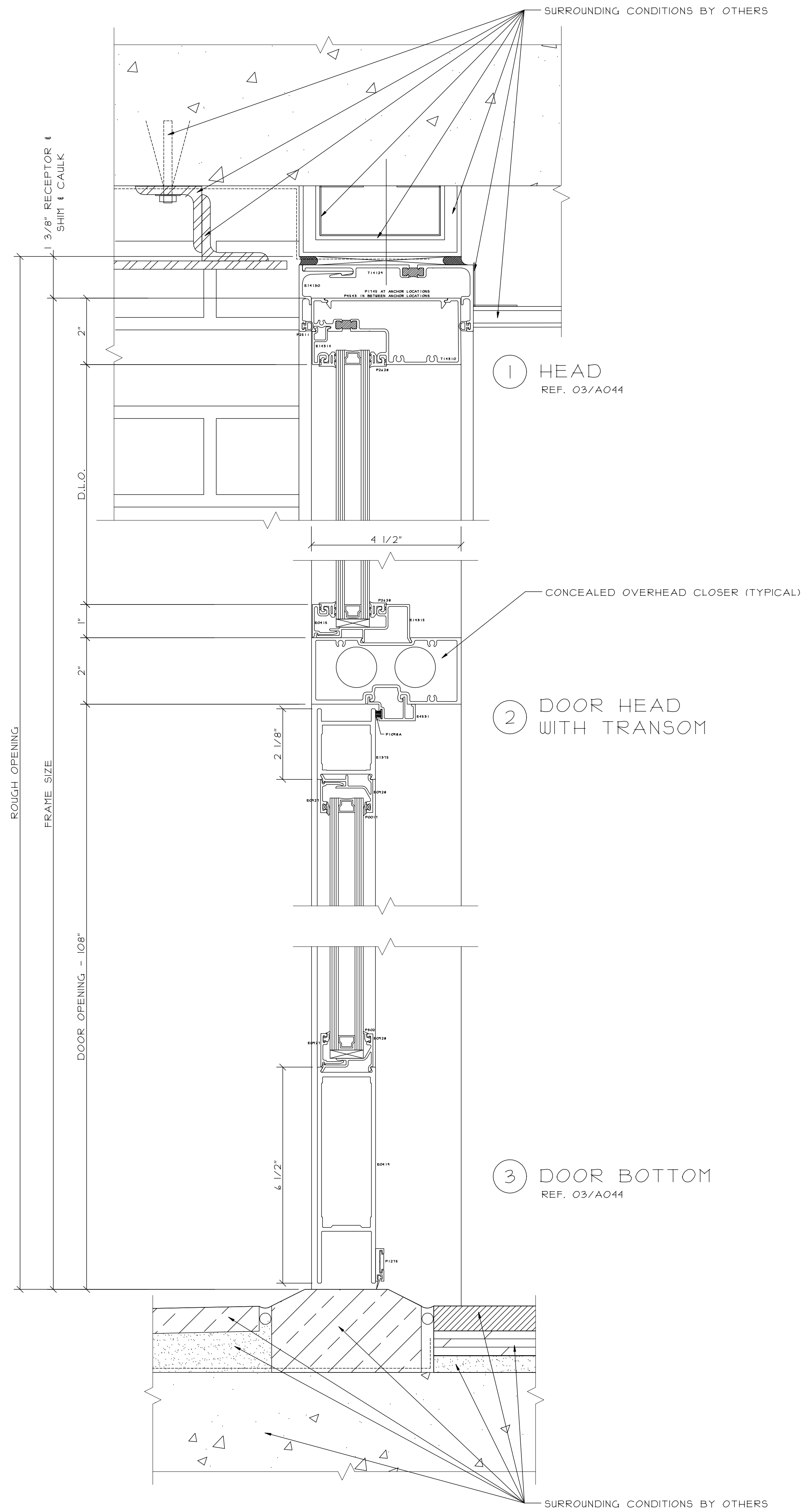
PROJECT: SAMPLE SAMPLE SAMPLE
 LOCATION: SAMPLE SAMPLE SAMPLE

SCALE:
 1/4" = 1'-0"

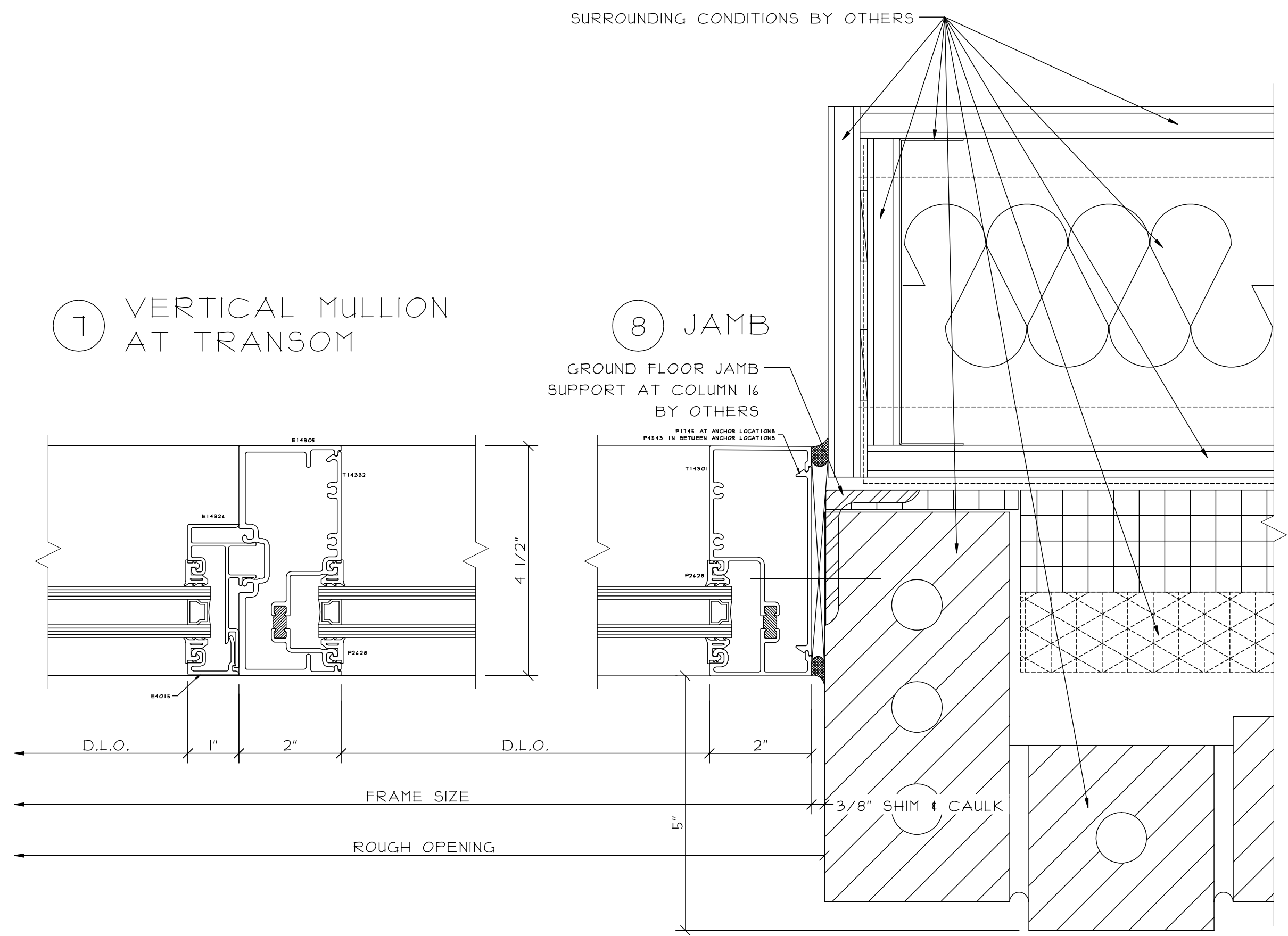
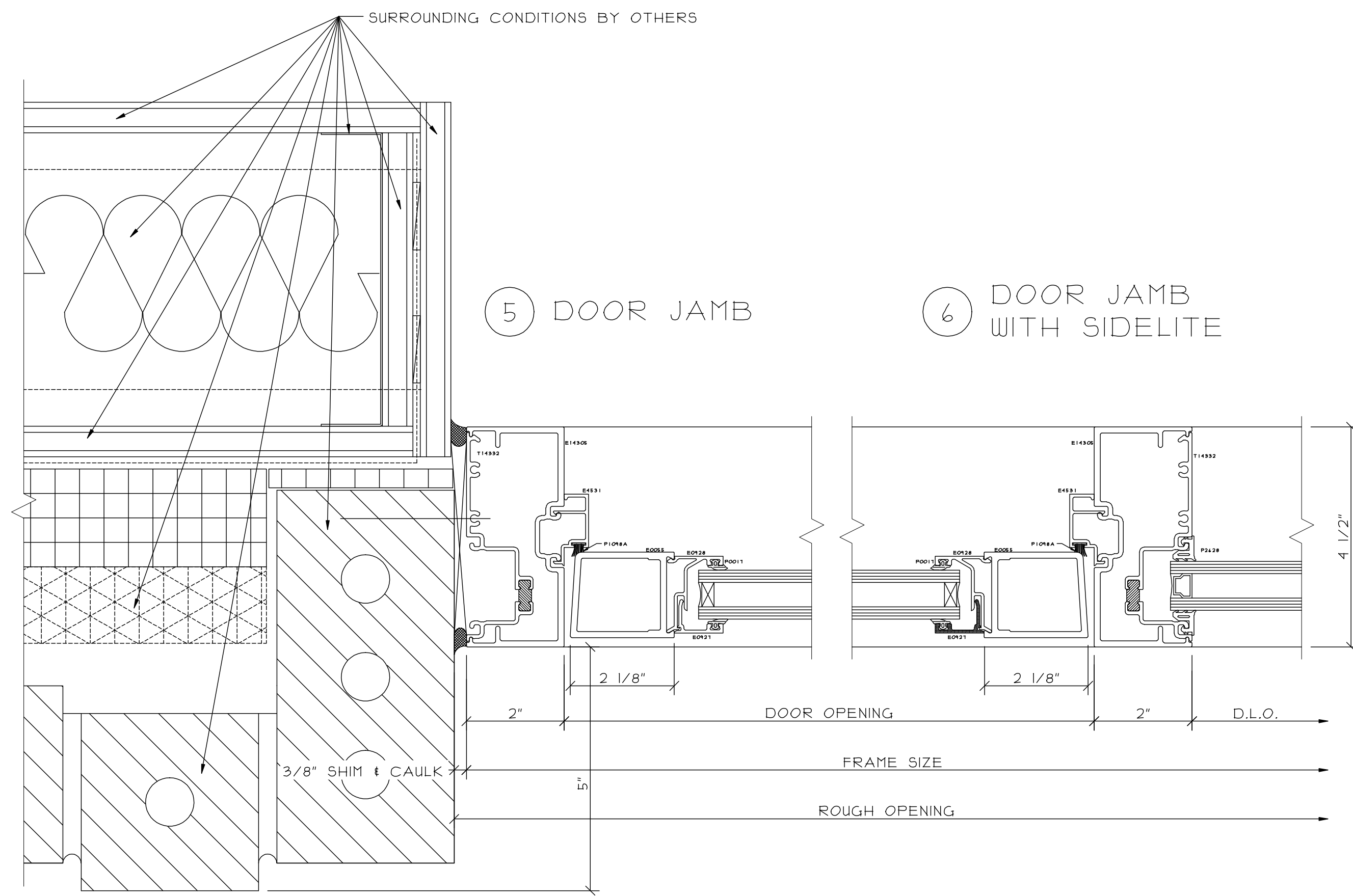
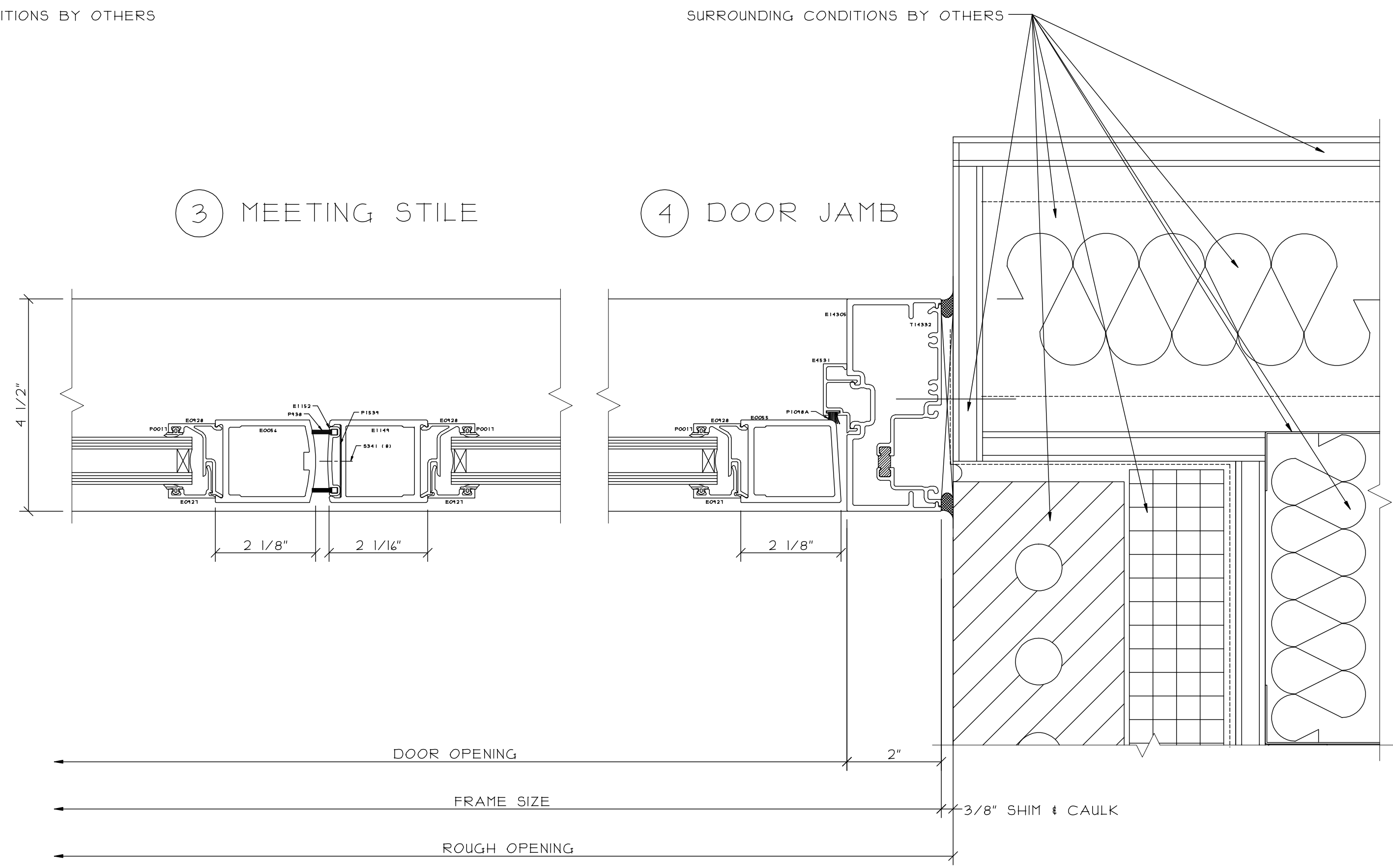
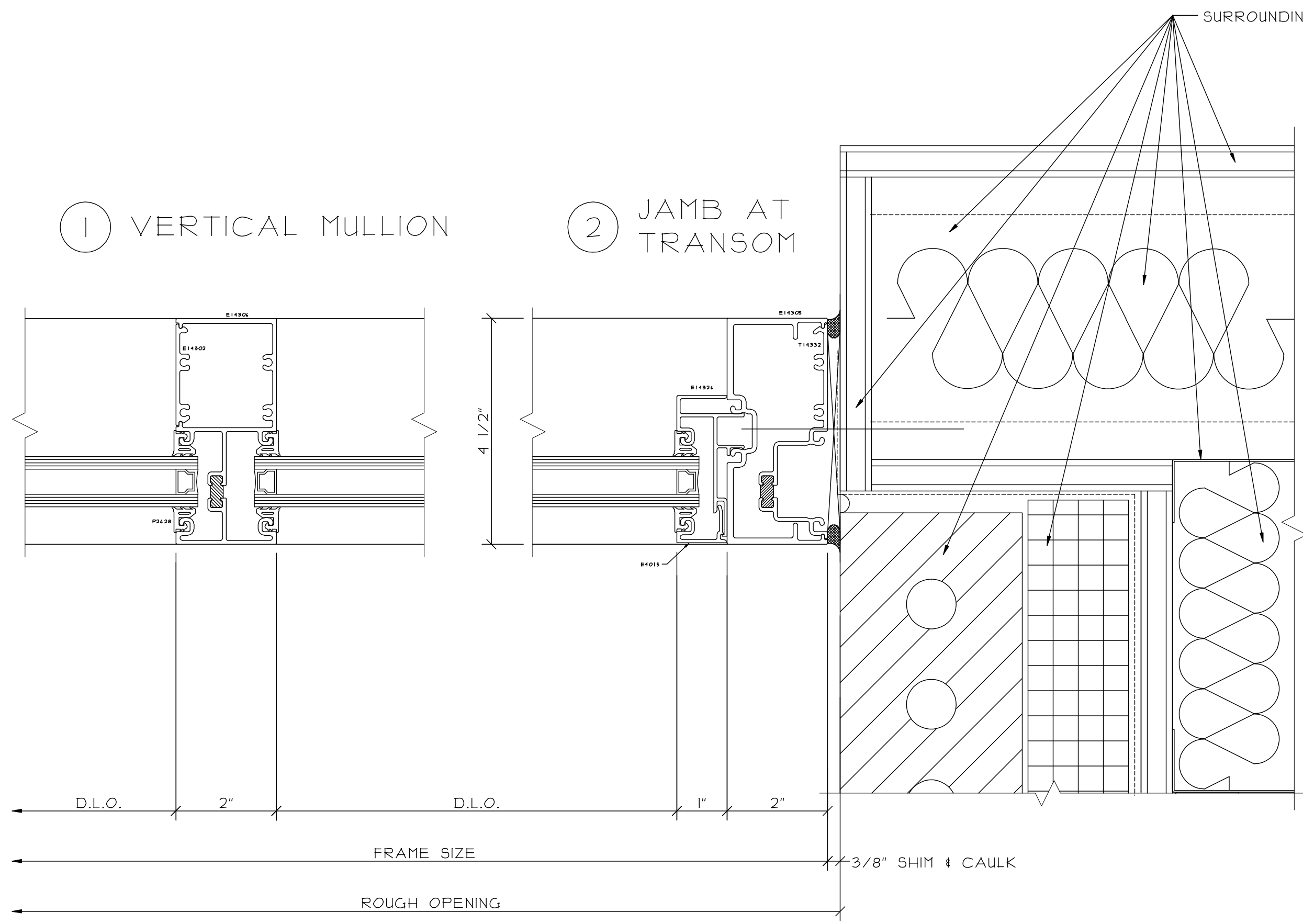
DATE:
 SAMPLE

DRAWN:
 SAMPLE

PAGE:
 9 of 14



PROJECT:	SAMPLE SAMPLE SAMPLE
LOCATION:	SAMPLE SAMPLE SAMPLE
SCALE:	6" = 1'-0"
DATE:	SAMPLE
DRAWN:	SAMPLE
PAGE:	10 of 14
GLAZING CONTRACTOR:	SAMPLE SAMPLE SAMPLE SAMPLE SAMPLE SAMPLE SAMPLE SAMPLE SAMPLE SAMPLE SAMPLE SAMPLE SAMPLE SAMPLE SAMPLE
ARCHITECT:	SAMPLE SAMPLE SAMPLE SAMPLE SAMPLE SAMPLE SAMPLE SAMPLE SAMPLE SAMPLE SAMPLE SAMPLE SAMPLE SAMPLE SAMPLE
REVISIONS:	
DATE:	



REVISIONS:

GLAZING CONTRACTOR:

SAMPLE	SAMPLE	SAMPLE
SAMPLE	SAMPLE	SAMPLE
SAMPLE	SAMPLE	SAMPLE
SAMPLE	SAMPLE	SAMPLE
SAMPLE	SAMPLE	SAMPLE

ARCHITECT:

SAMPLE	SAMPLE	SAMPLE
SAMPLE	SAMPLE	SAMPLE
SAMPLE	SAMPLE	SAMPLE
SAMPLE	SAMPLE	SAMPLE
SAMPLE	SAMPLE	SAMPLE

PROJECT: SAMPLE SAMPLE SAMPLE

LOCATION: SAMPLE SAMPLE SAMPLE

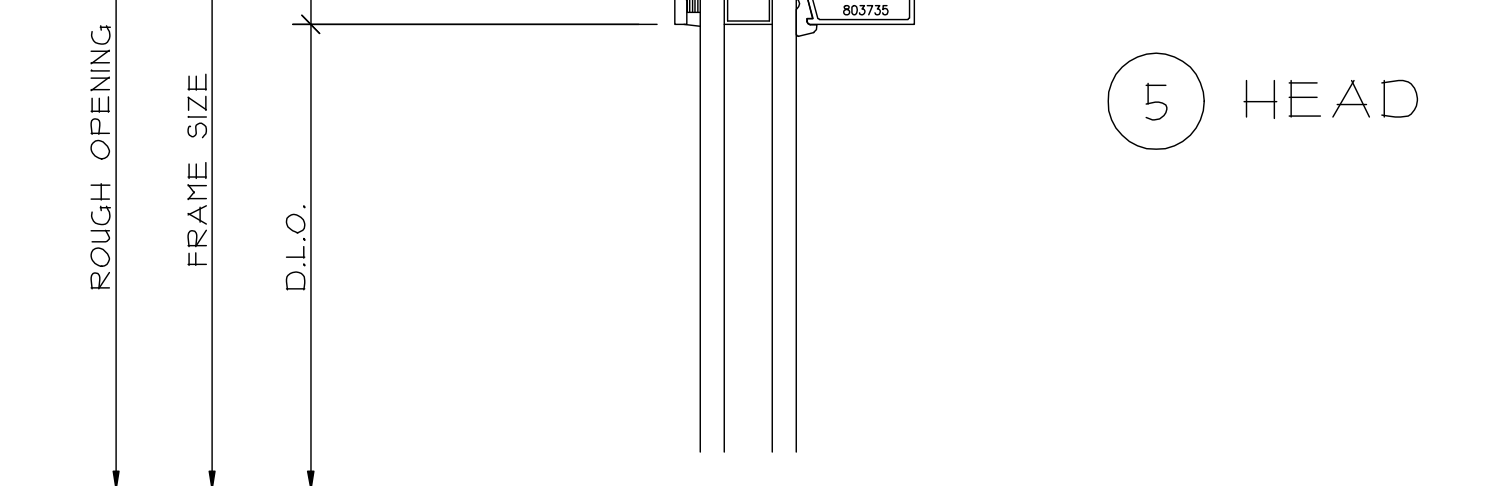
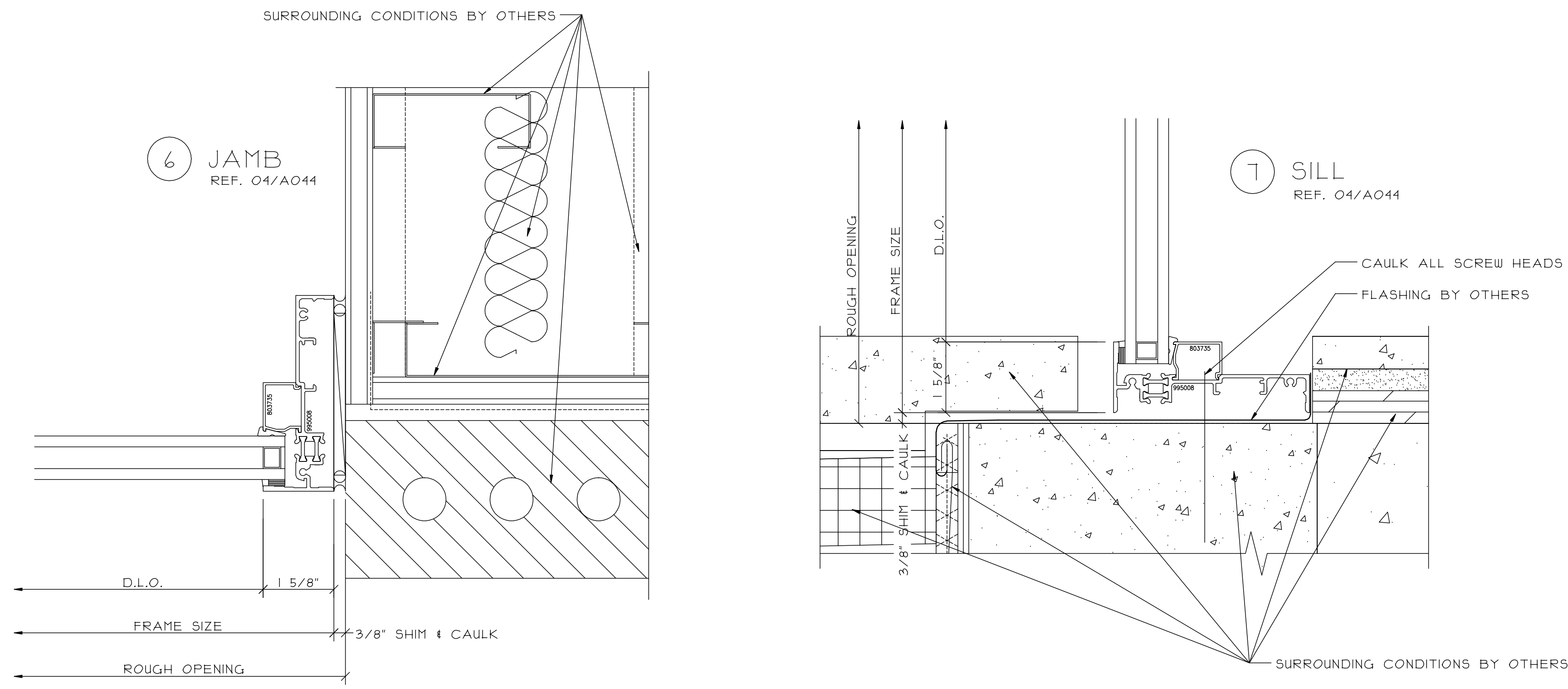
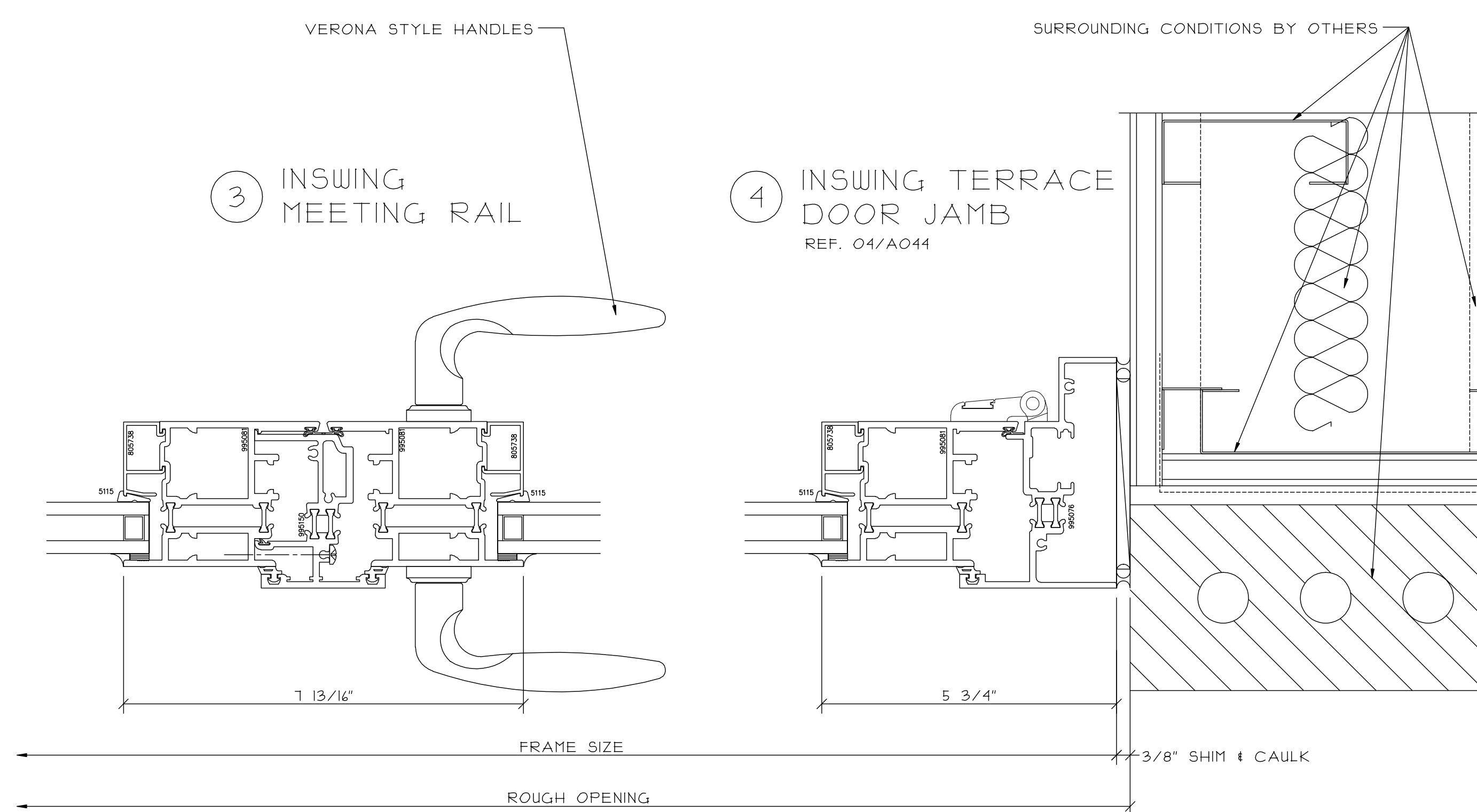
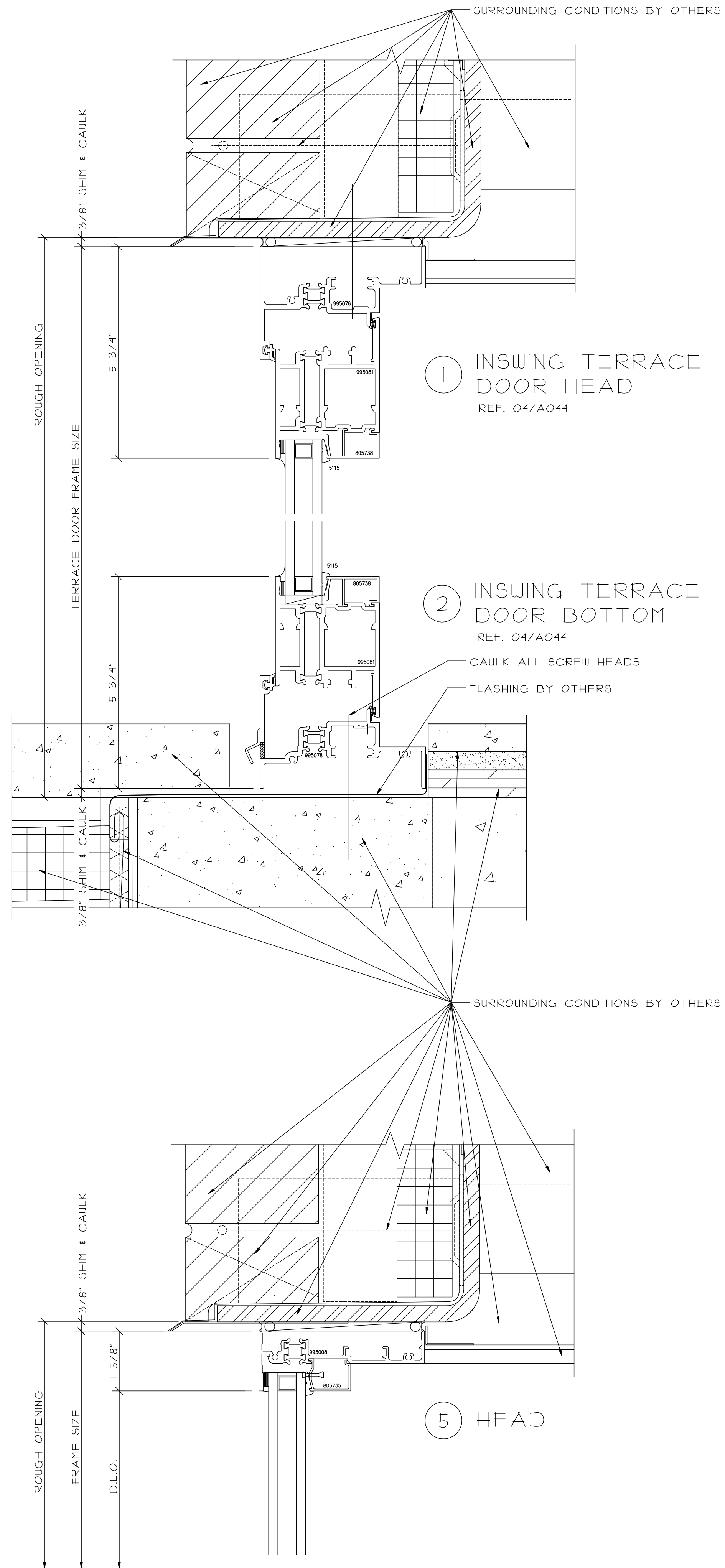
SCALE:
6" = 1'-0"

DATE:
SAMPLE

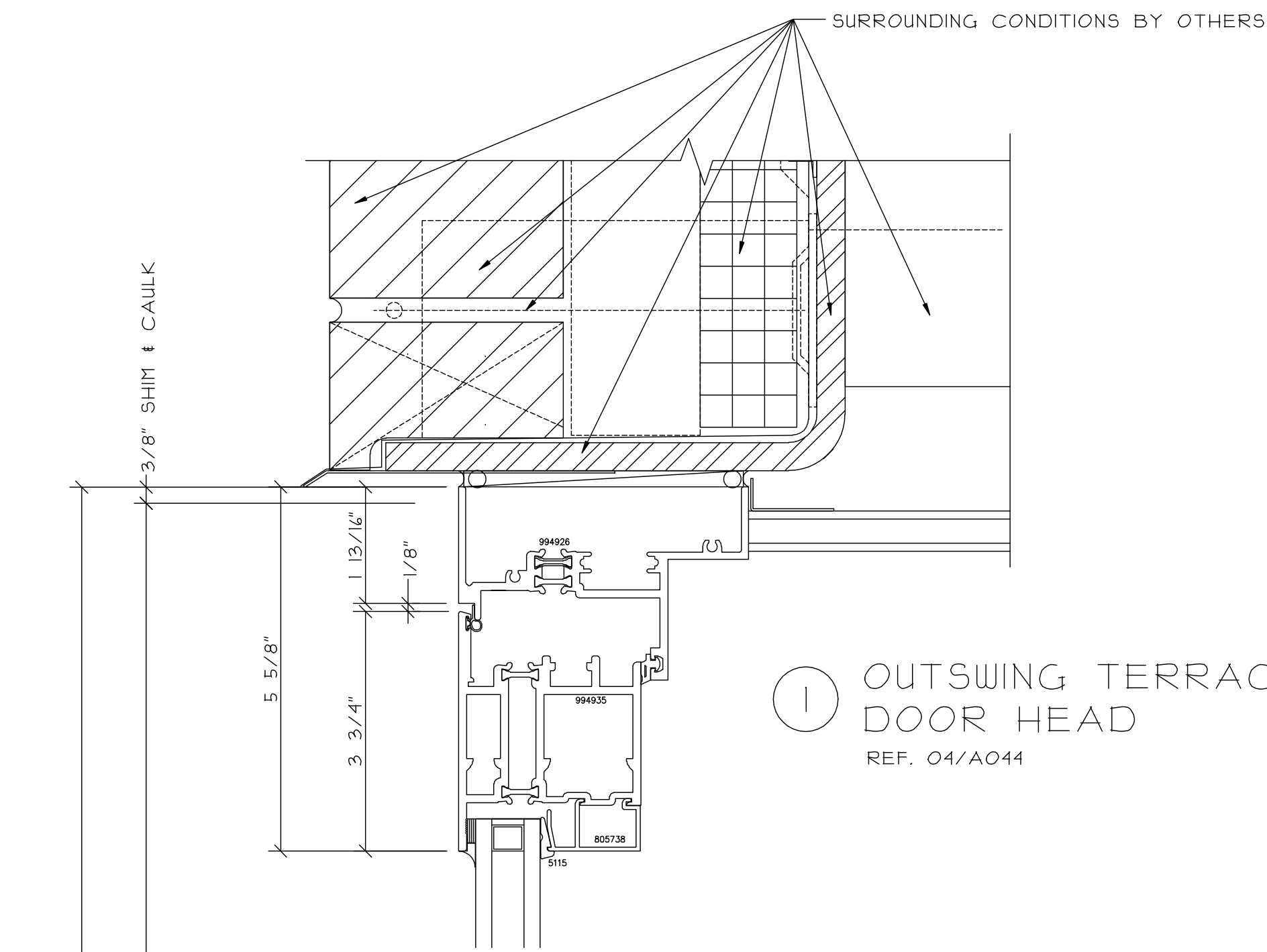
DRAWN:
SAMPLE

PAGE:
11 of 14

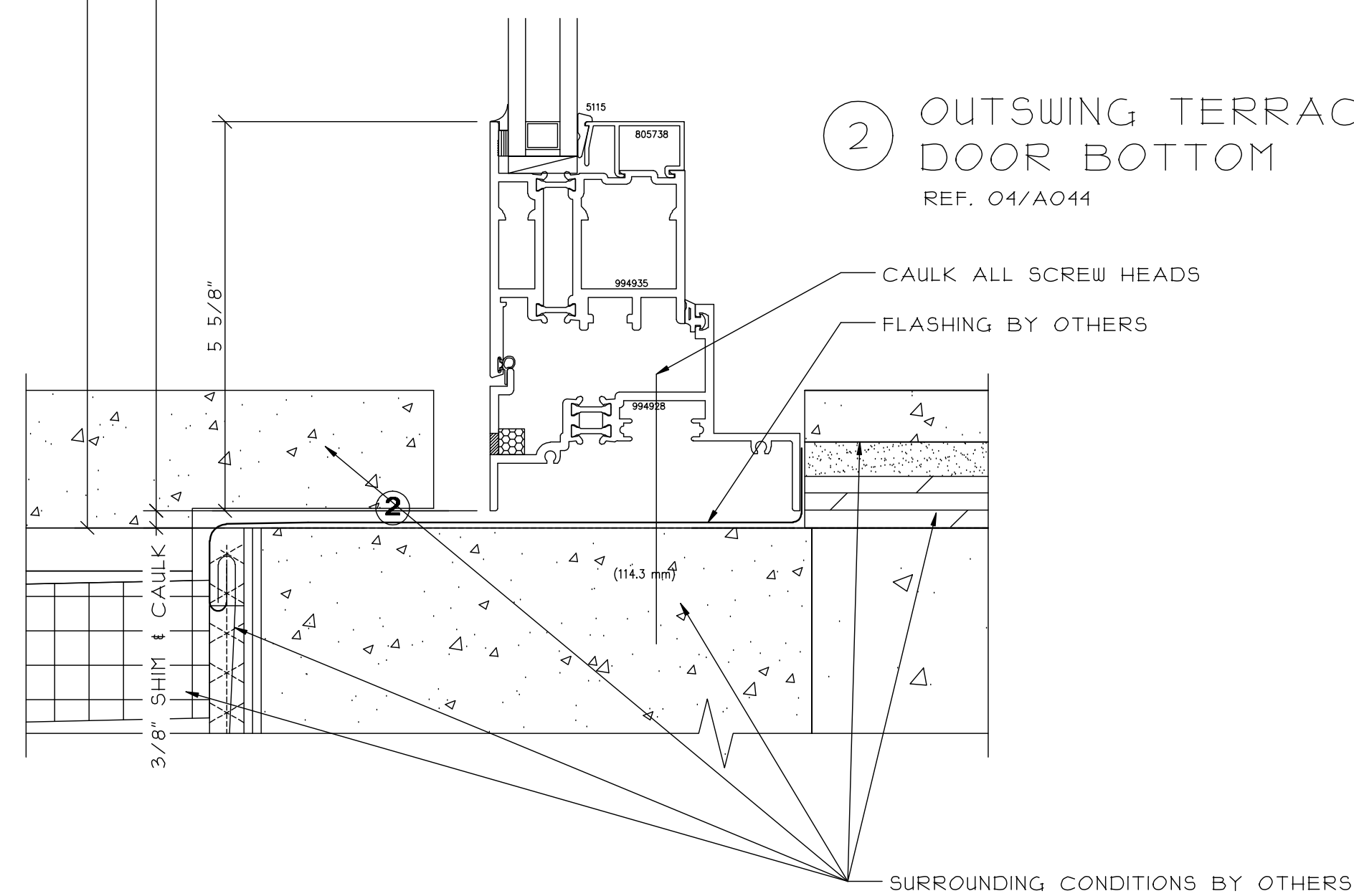
DATE:



PROJECT:	SAMPLE SAMPLE SAMPLE
LOCATION:	SAMPLE SAMPLE SAMPLE
SCALE:	6" = 1'-0"
DATE:	SAMPLE
DRAWN:	SAMPLE
PAGE:	12 of 14
GLAZING CONTRACTOR:	SAMPLE SAMPLE SAMPLE
ARCHITECT:	SAMPLE SAMPLE SAMPLE
REVISIONS:	
DATE:	

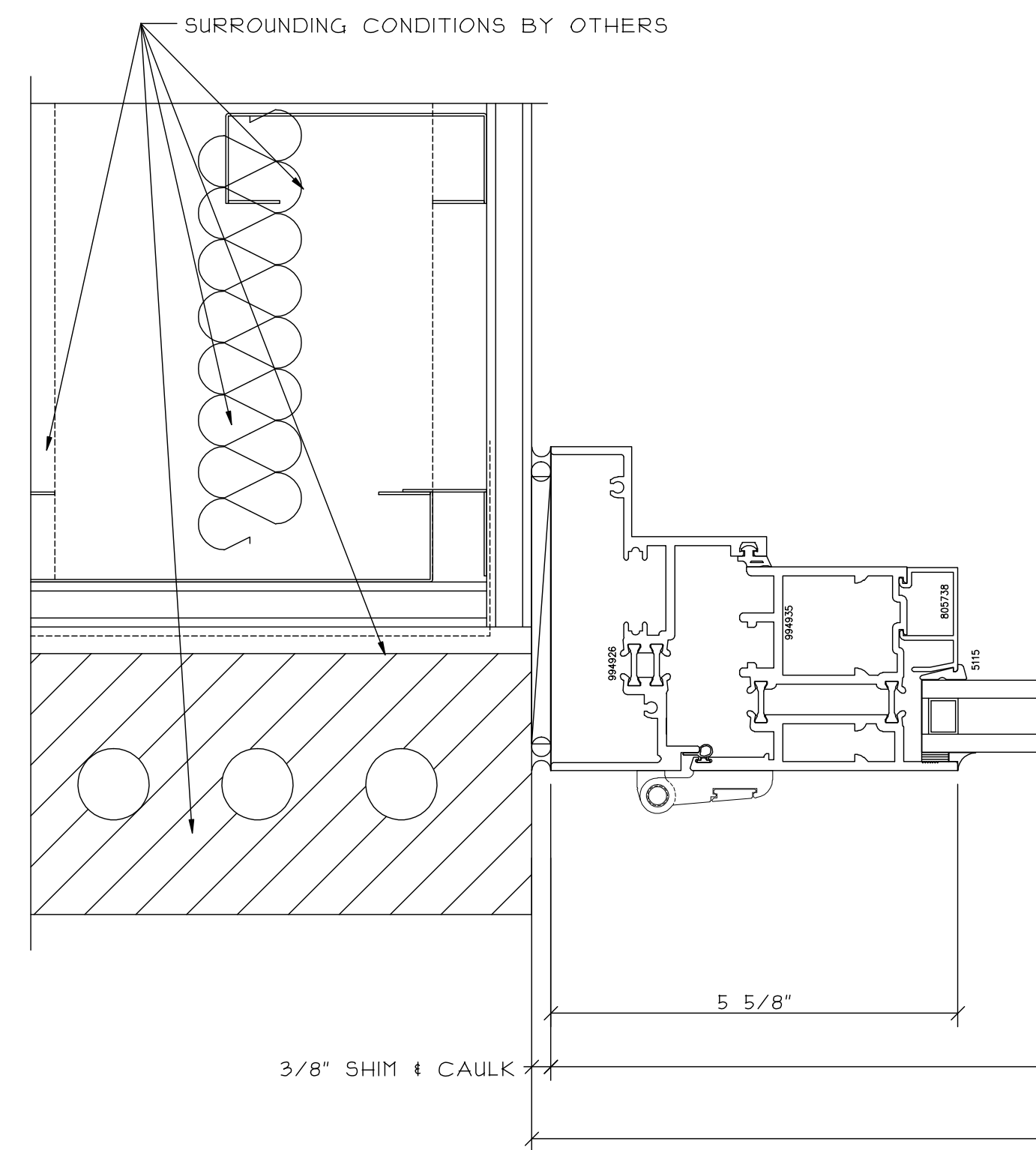


① OUTSWING TERRACE
DOOR HEAD
REF. 04/A044

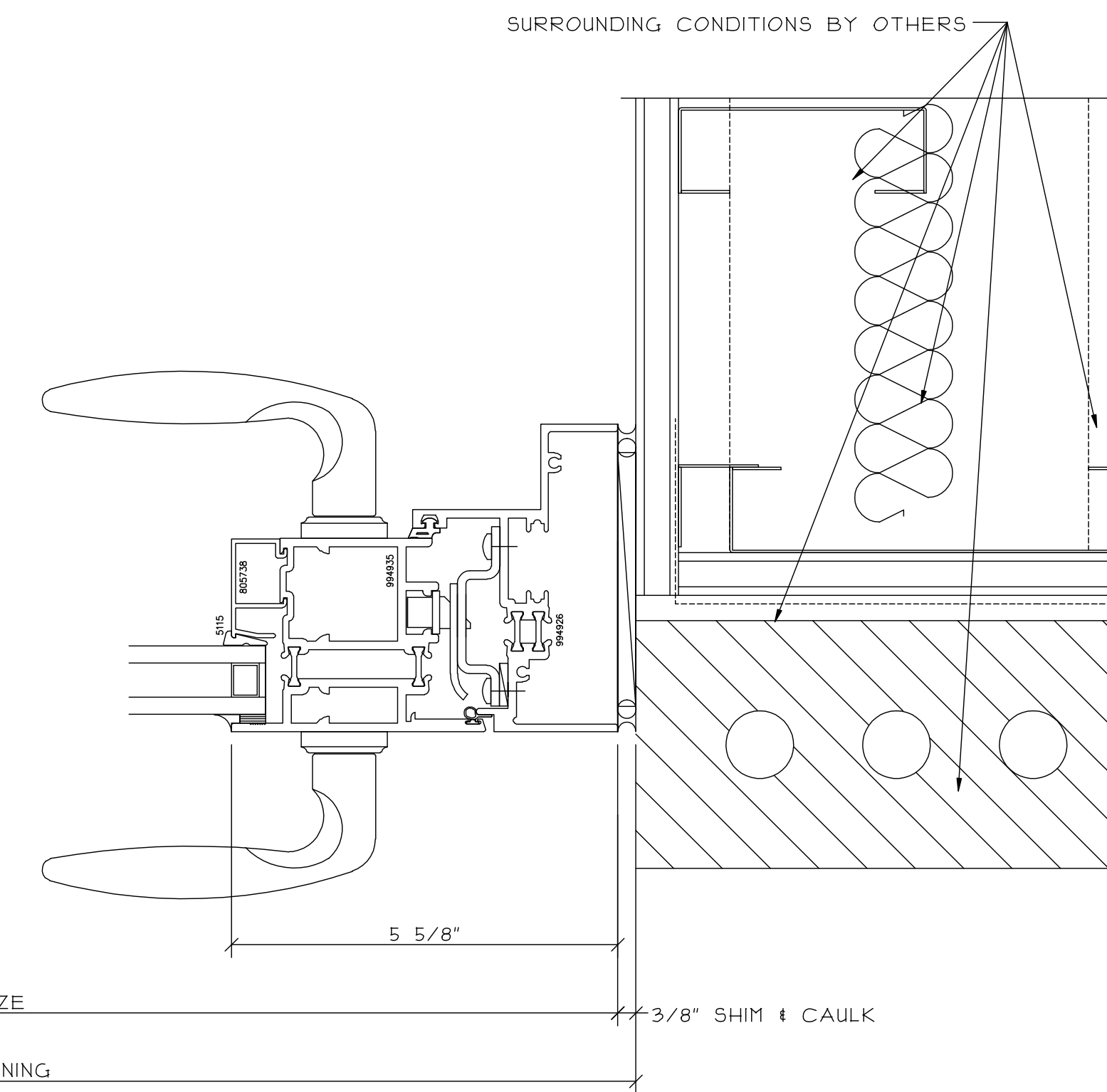


② OUTSWING TERRACE
DOOR BOTTOM
REF. 04/A044

③ OUTSWING TERRACE
DOOR JAMB
REF. 04/A044



④ OUTSWING TERRACE
DOOR JAMB
REF. 04/A044



REVISIONS:	DATE:

GLAZING CONTRACTOR:	SAMPLE	SAMPLE	SAMPLE
	SAMPLE	SAMPLE	SAMPLE
	SAMPLE	SAMPLE	SAMPLE
	SAMPLE	SAMPLE	SAMPLE

ARCHITECT:	SAMPLE	SAMPLE	SAMPLE
	SAMPLE	SAMPLE	SAMPLE
	SAMPLE	SAMPLE	SAMPLE
	SAMPLE	SAMPLE	SAMPLE

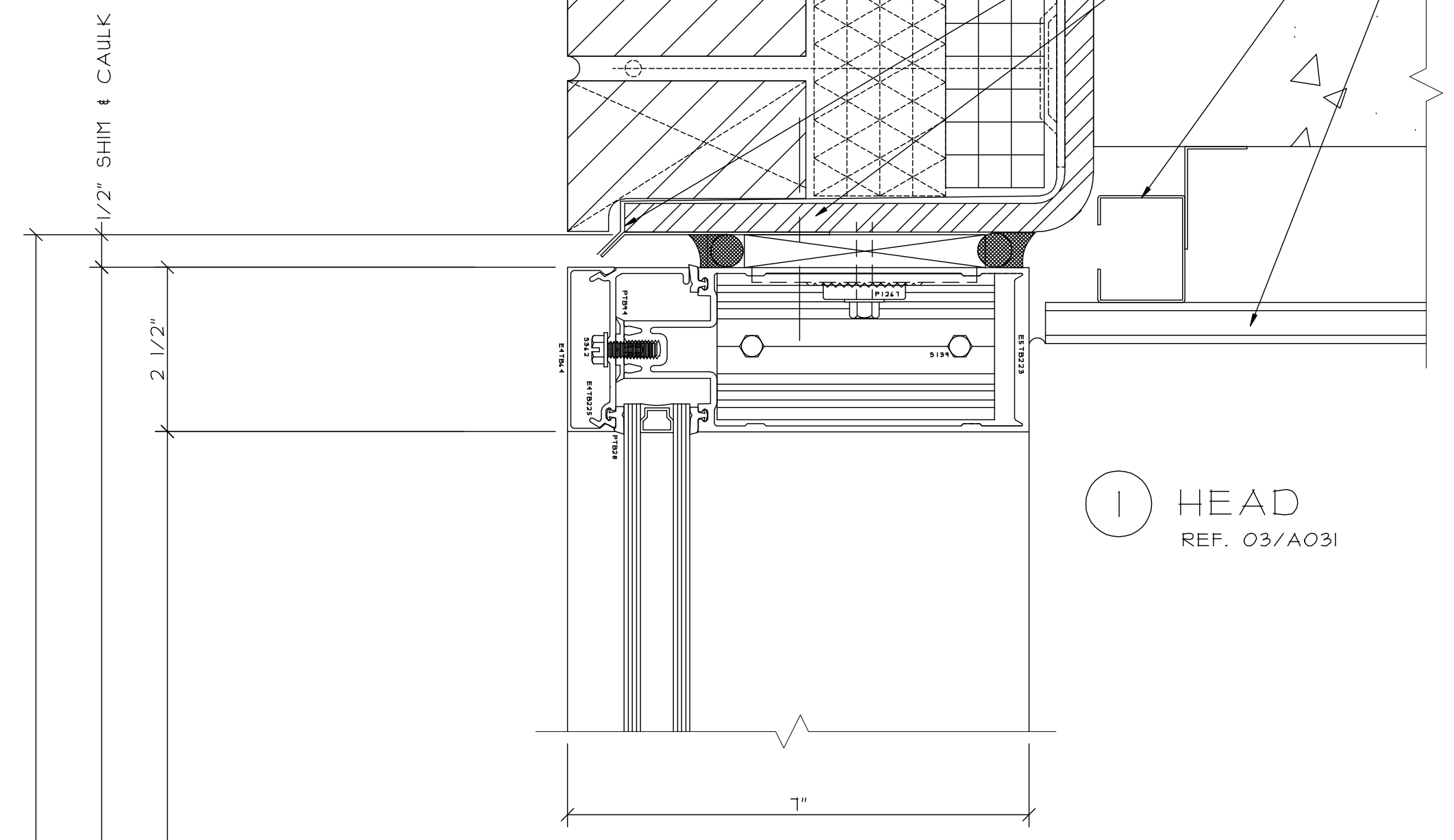
PROJECT:	SAMPLE	SAMPLE	SAMPLE
LOCATION:	SAMPLE	SAMPLE	SAMPLE

SCALE:
6" = 1'-0"

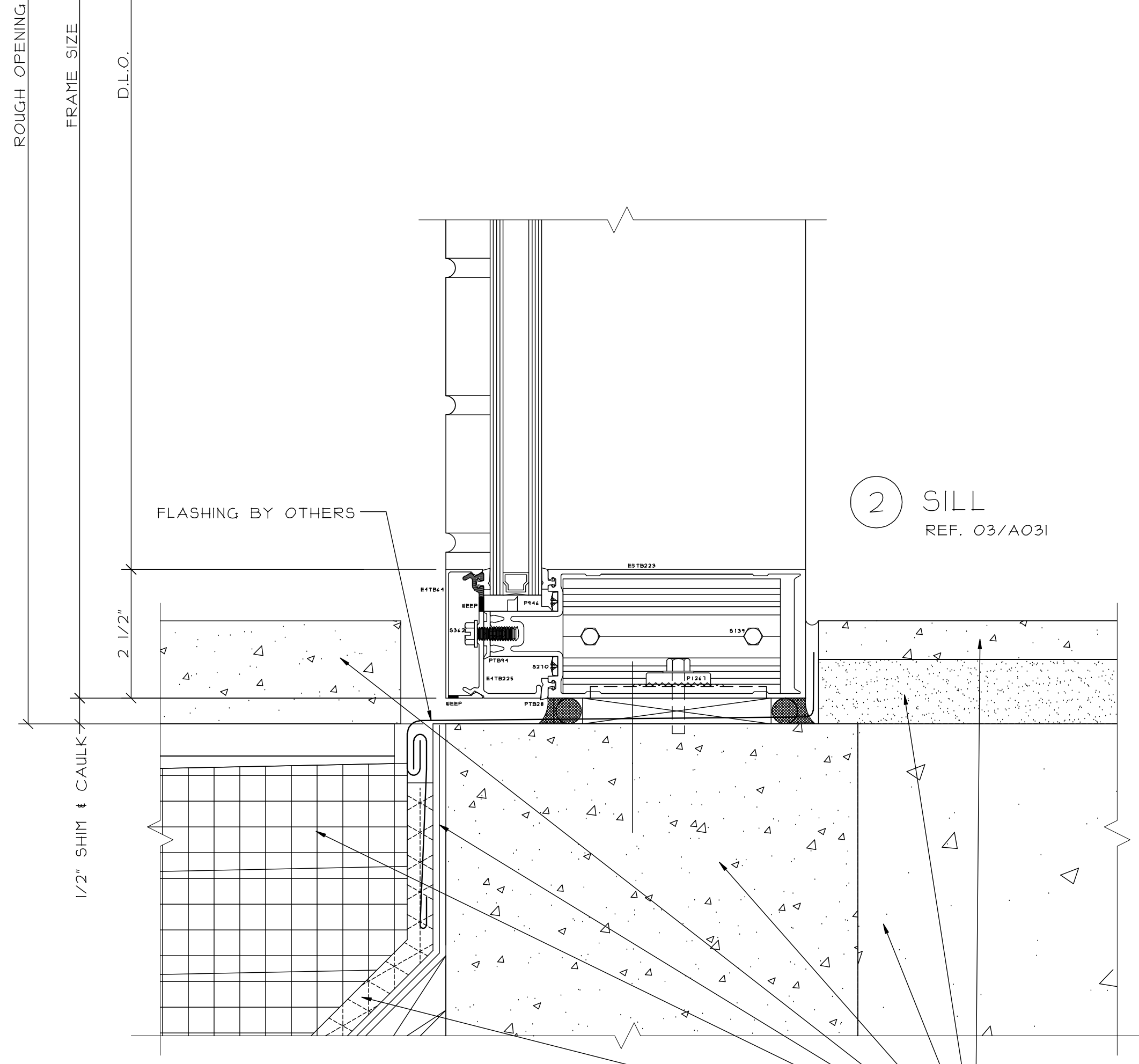
DATE:
SAMPLE

DRAWN:
SAMPLE

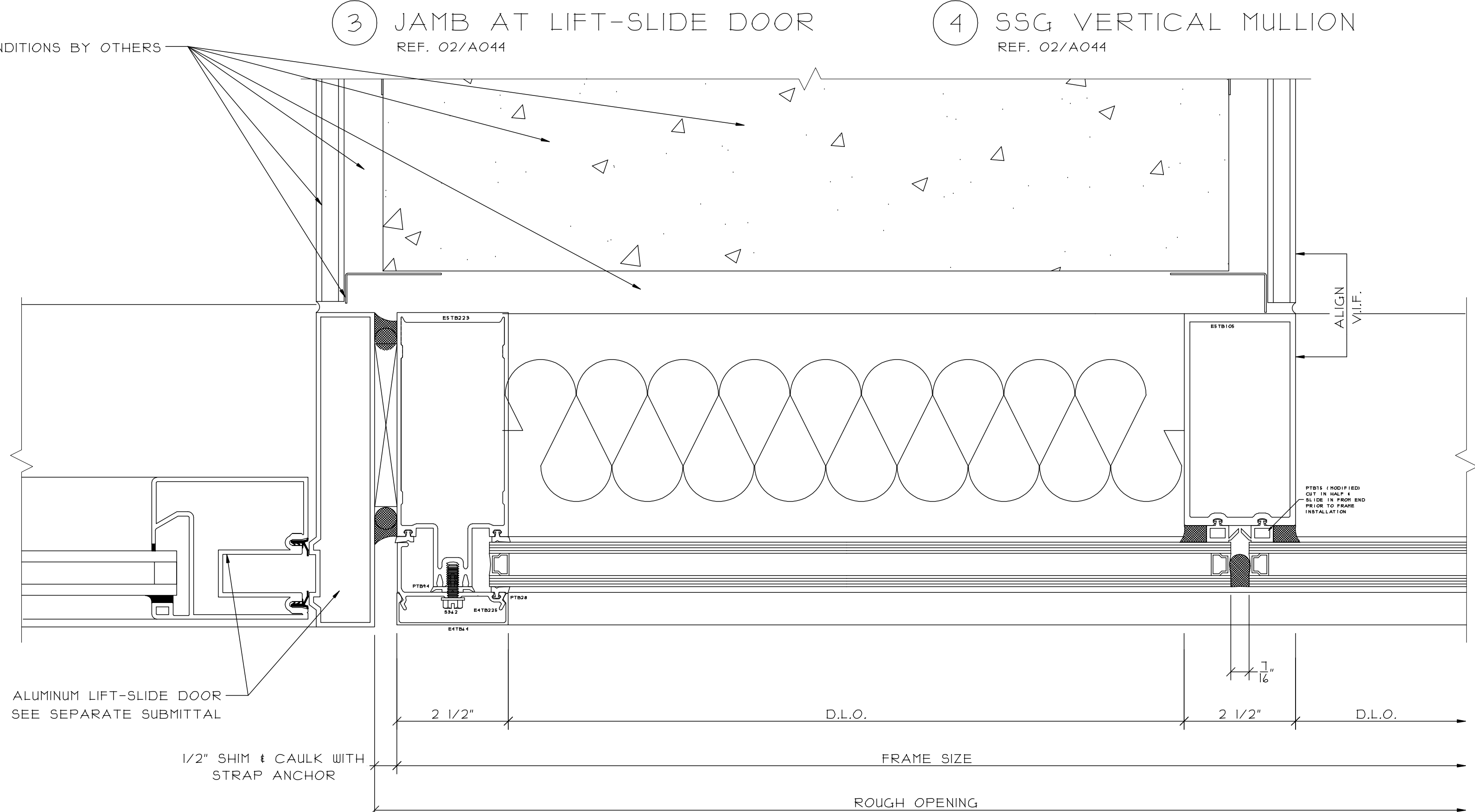
PAGE:
13 of 14



1 HEAD
REF. 03/A031



2 SILL
REF. 03/A031

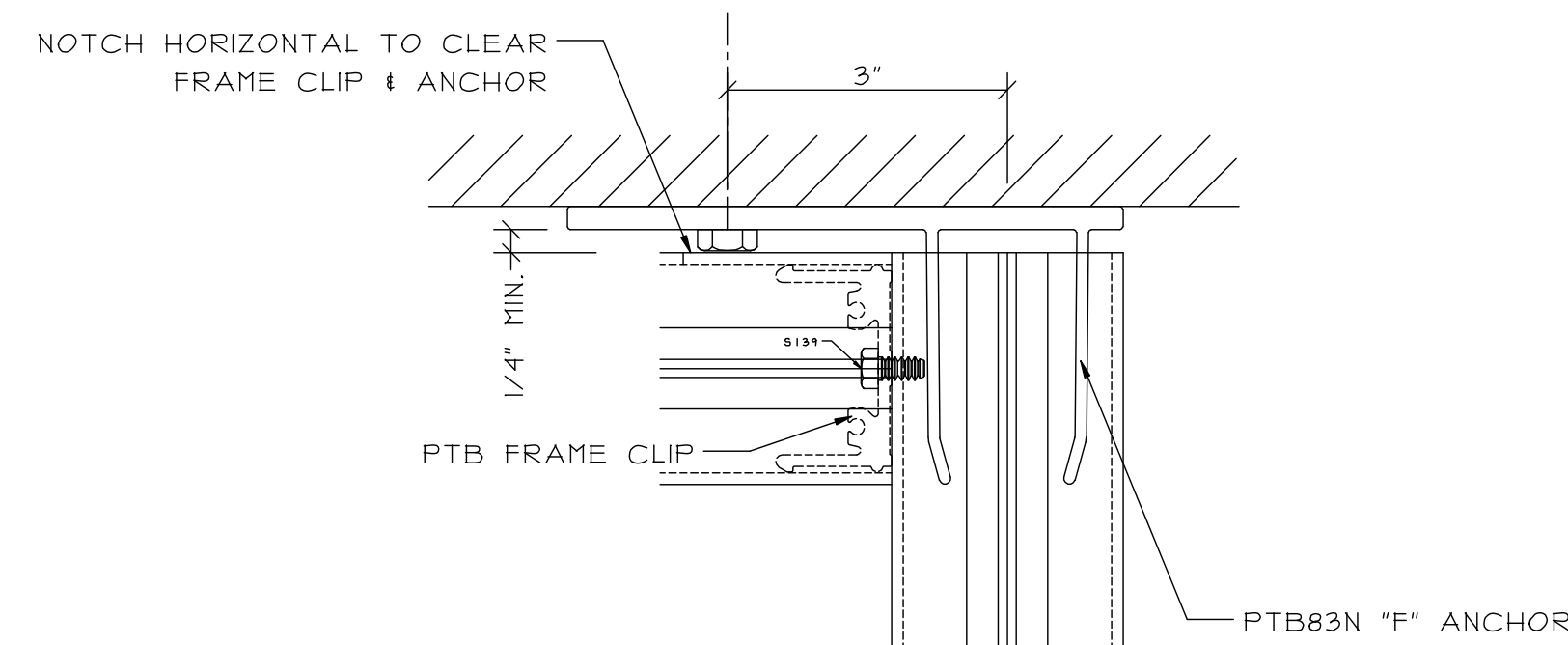
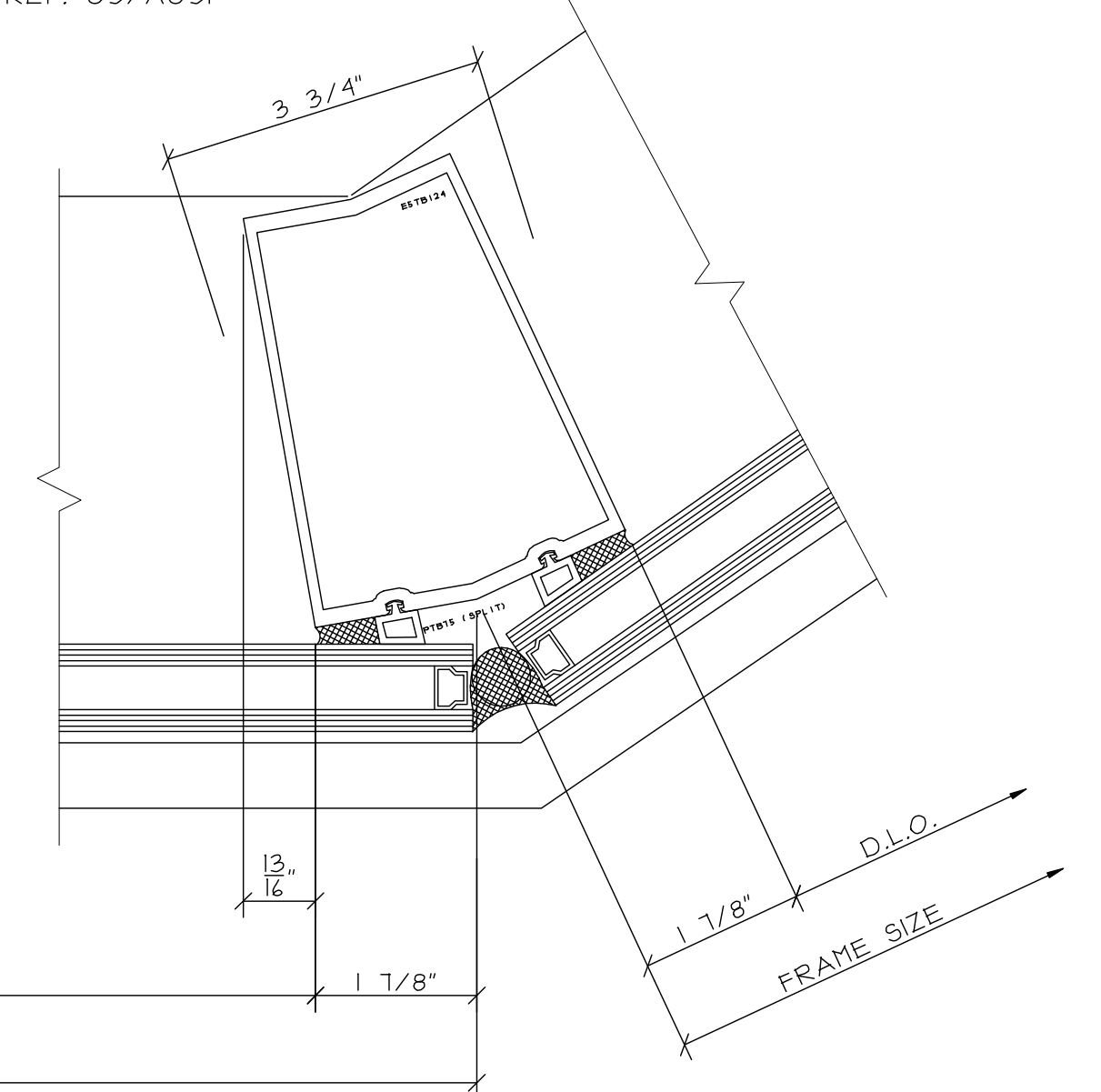
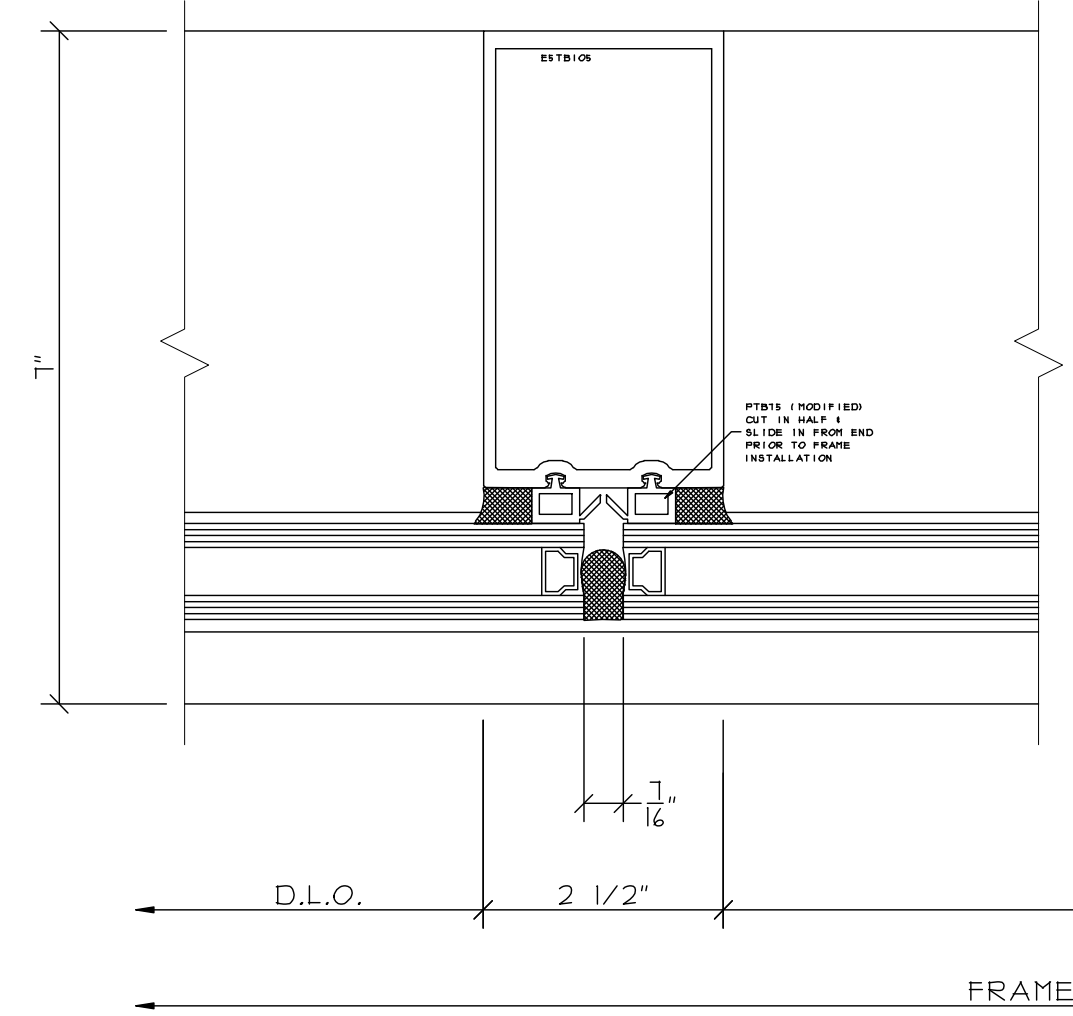


3 JAMB AT LIFT-SLIDE DOOR
REF. 02/A044

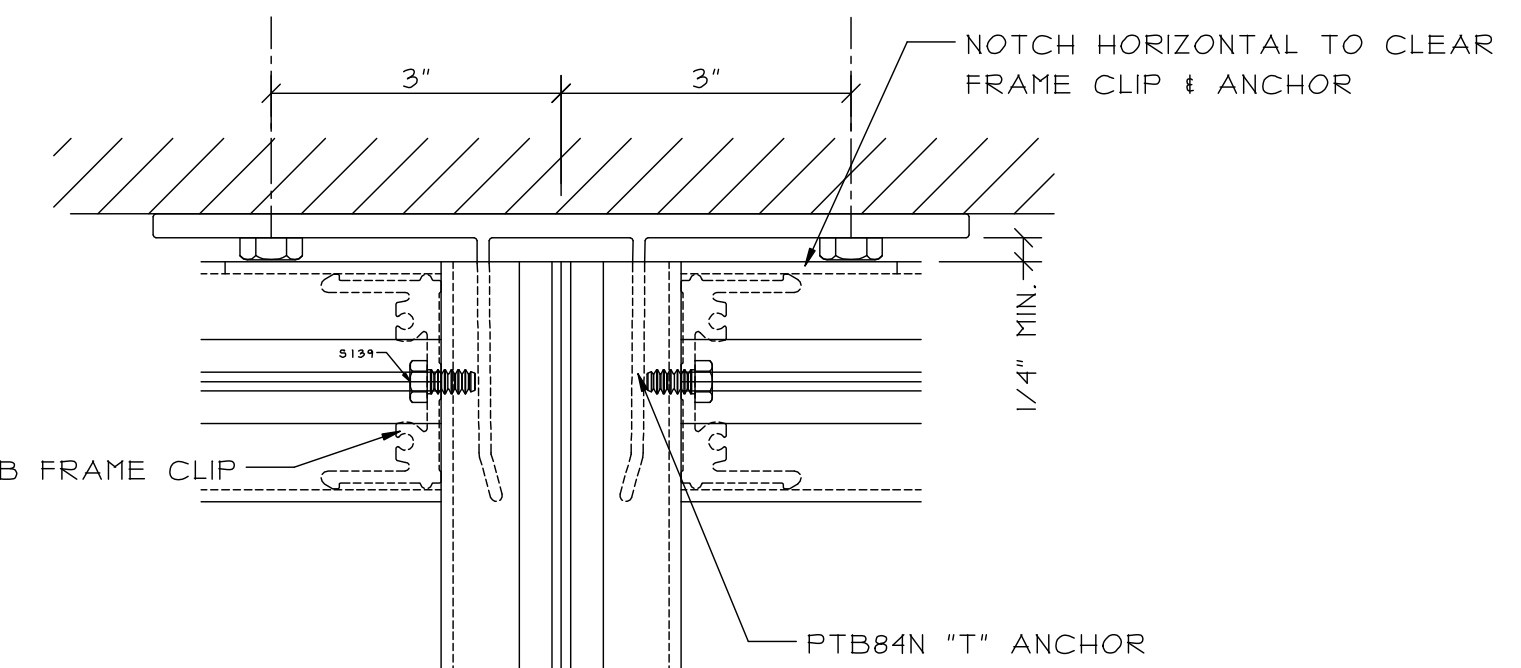
4 SSG VERTICAL MULLION
REF. 02/A044

5 SSG VERTICAL MULLION

6 SSG SPLAY MULLION
REF. 03/A031



7 TYPICAL "F" ANCHOR
HEAD CONDITION, SILL SIMILAR



8 TYPICAL "T" ANCHOR
HEAD CONDITION, SILL SIMILAR

REVISIONS:

DATE:

GLAZING CONTRACTOR:

SAMPLE	SAMPLE	SAMPLE
SAMPLE	SAMPLE	SAMPLE
SAMPLE	SAMPLE	SAMPLE
SAMPLE	SAMPLE	SAMPLE
SAMPLE	SAMPLE	SAMPLE

ARCHITECT:

SAMPLE	SAMPLE	SAMPLE
SAMPLE	SAMPLE	SAMPLE
SAMPLE	SAMPLE	SAMPLE
SAMPLE	SAMPLE	SAMPLE
SAMPLE	SAMPLE	SAMPLE

PROJECT: SAMPLE SAMPLE SAMPLE

LOCATION: SAMPLE SAMPLE SAMPLE

SCALE:
6" = 1'-0"

DATE:
SAMPLE

DRAWN:
SAMPLE

PAGE:
14 of 14