

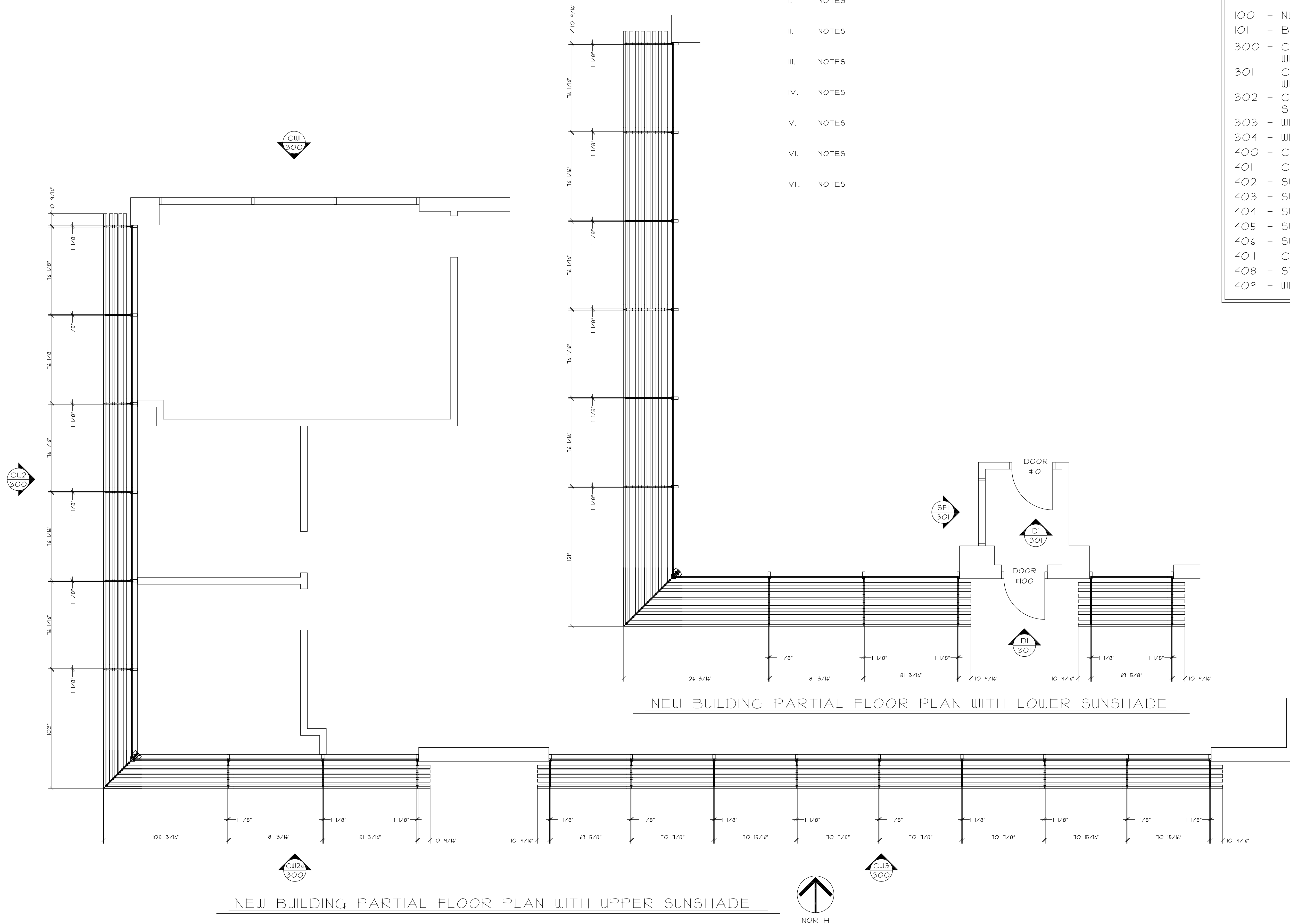
## ALUMINUM CURTAIN WALLS, STOREFRONTS, ENTRANCES, PRE-MANUFACTURED WINDOWS AND SUNSHADES

### GENERAL NOTES:

- I. NOTES
- II. NOTES
- III. NOTES
- IV. NOTES
- V. NOTES
- VI. NOTES
- VII. NOTES

### DRAWING INDEX

- 100 - NEW BUILDING PLAN
- 101 - BUILDING ELEVATION
- 300 - CURTAIN WALL ELEVATIONS WITH SUNSHADES
- 301 - CURTAIN WALL ELEVATIONS WITH SUNSHADES
- 302 - CURTAIN WALL ELEVATIONS STOREFRONT ELEVATIONS
- 303 - WINDOW ELEVATIONS
- 304 - WINDOW ELEVATIONS
- 400 - CURTAIN WALL DETAILS
- 401 - CURTAIN WALL DETAILS
- 402 - SUNSHADE DETAILS
- 403 - SUNSHADE DETAILS
- 404 - SUNSHADE DETAILS
- 405 - SUNSHADE DETAILS
- 406 - SUNSHADE DETAILS
- 407 - CURTAIN WALL DETAILS
- 408 - STOREFRONT DETAILS
- 409 - WINDOW DETAILS



NO. REVISION DESCRIPTION / ACTION TAKEN BY DATE

CONSTRUCTION MANAGER:

ARCHITECT INFO:  
SAMPLE

PROJECT INFO:  
SAMPLE

TITLE  
NEW BUILDING PLAN

DRAWN BY / DATE  
SAMPLE

CHECKED BY / DATE

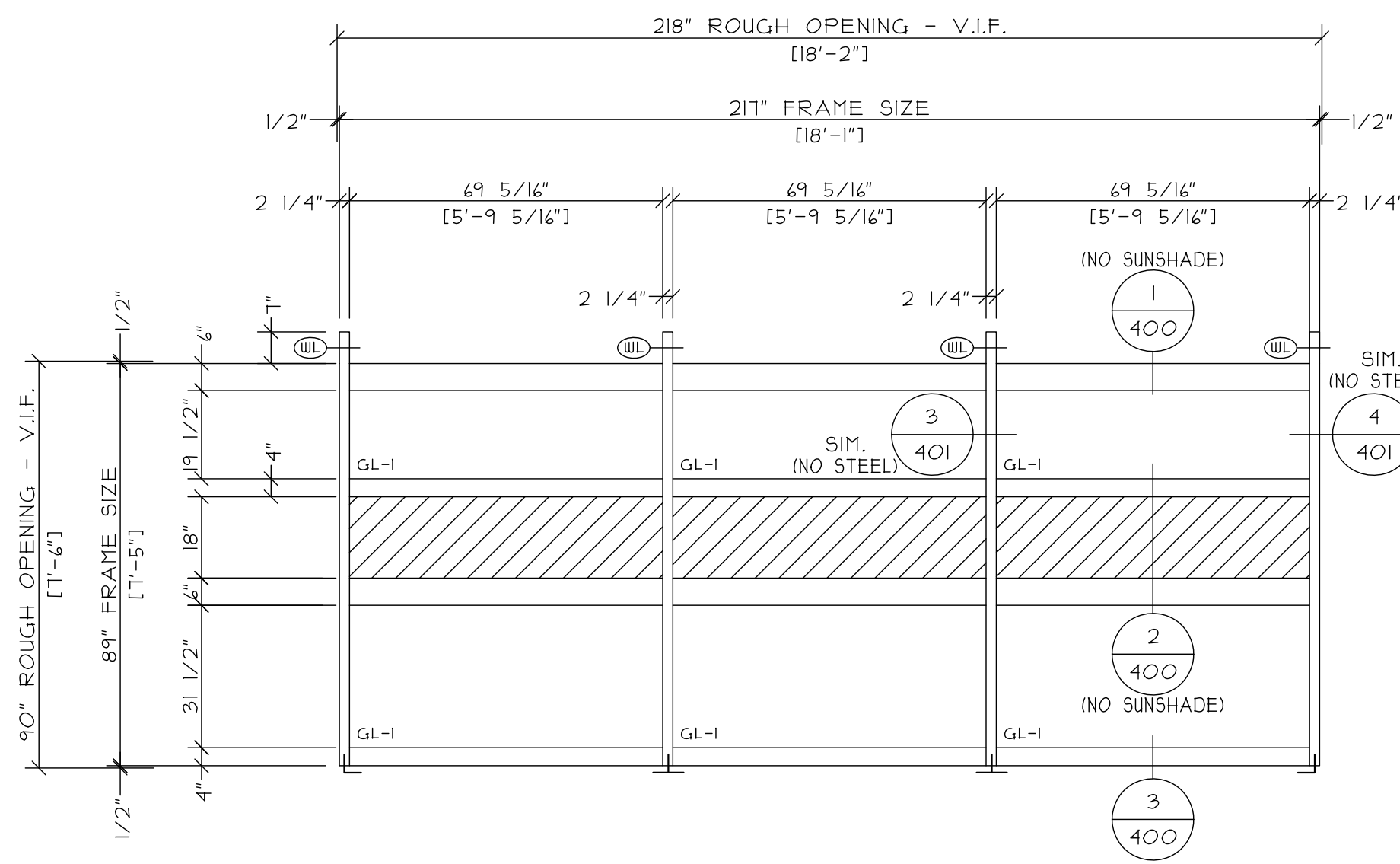
PROJECT MANAGER:  
SAMPLE

SCALE:  
SAMPLE

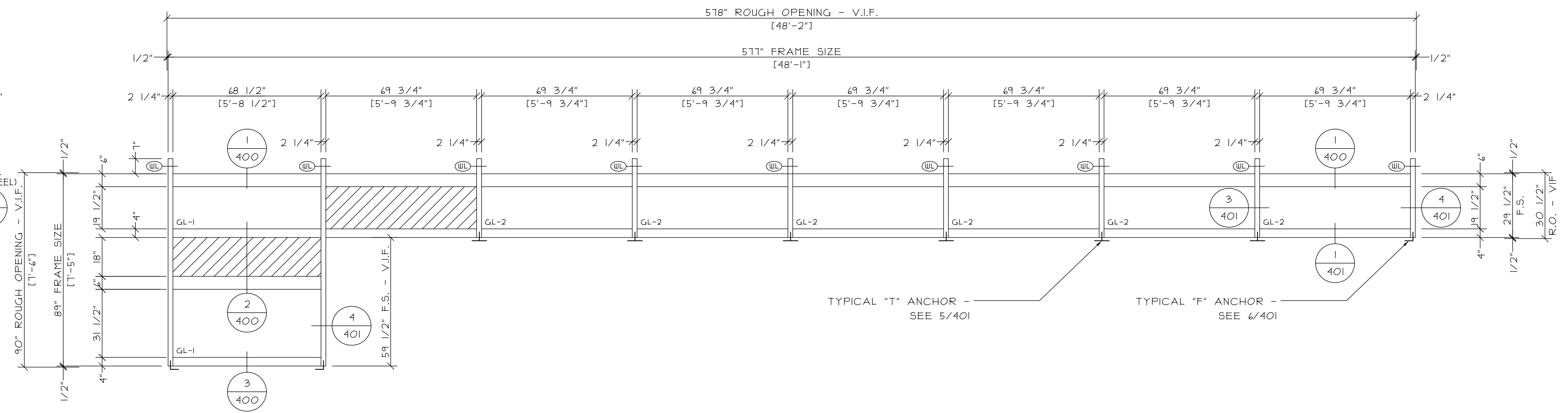
PROJECT NO.:  
SAMPLE

DWG NO.:  
100



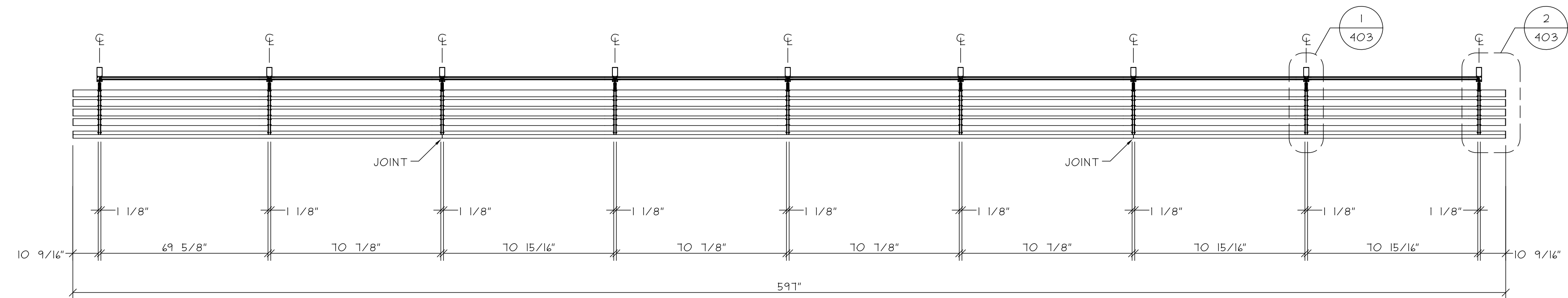


ELEVATION "CW1"  
1 TOTAL  
5600 SERIES CURTAIN WALL

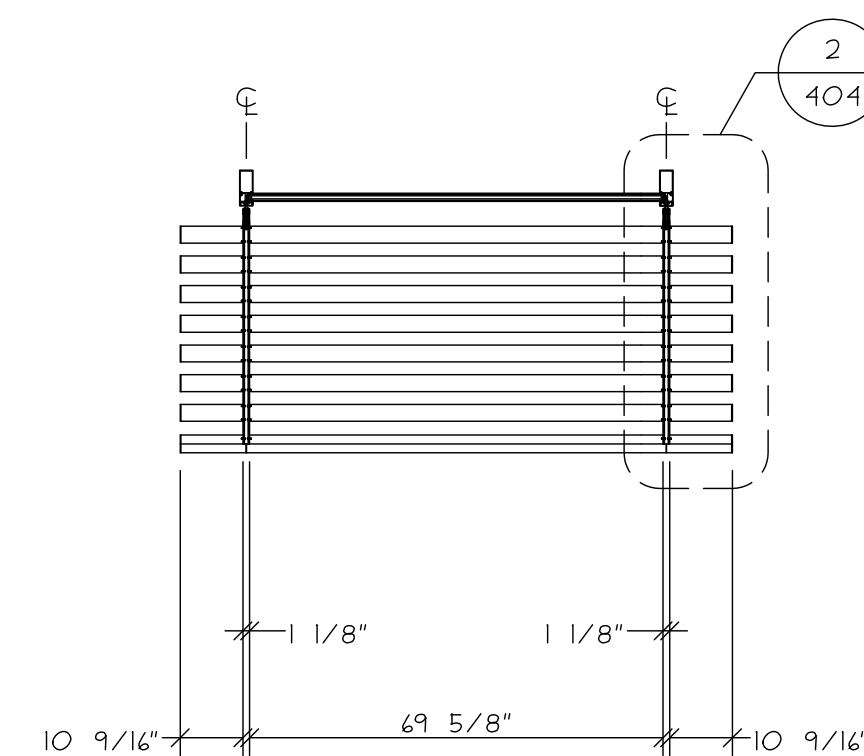


ELEVATION "CW3"  
1 TOTAL  
5600 SERIES CURTAIN WALL  
W/ E-SHADES

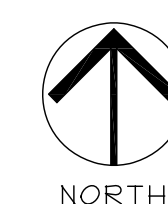
⊙ - DENOTES LOCATIONS OF WINDLOAD



PLAN VIEW OF UPPER SUNSHADE



PLAN VIEW OF LOWER SUNSHADE

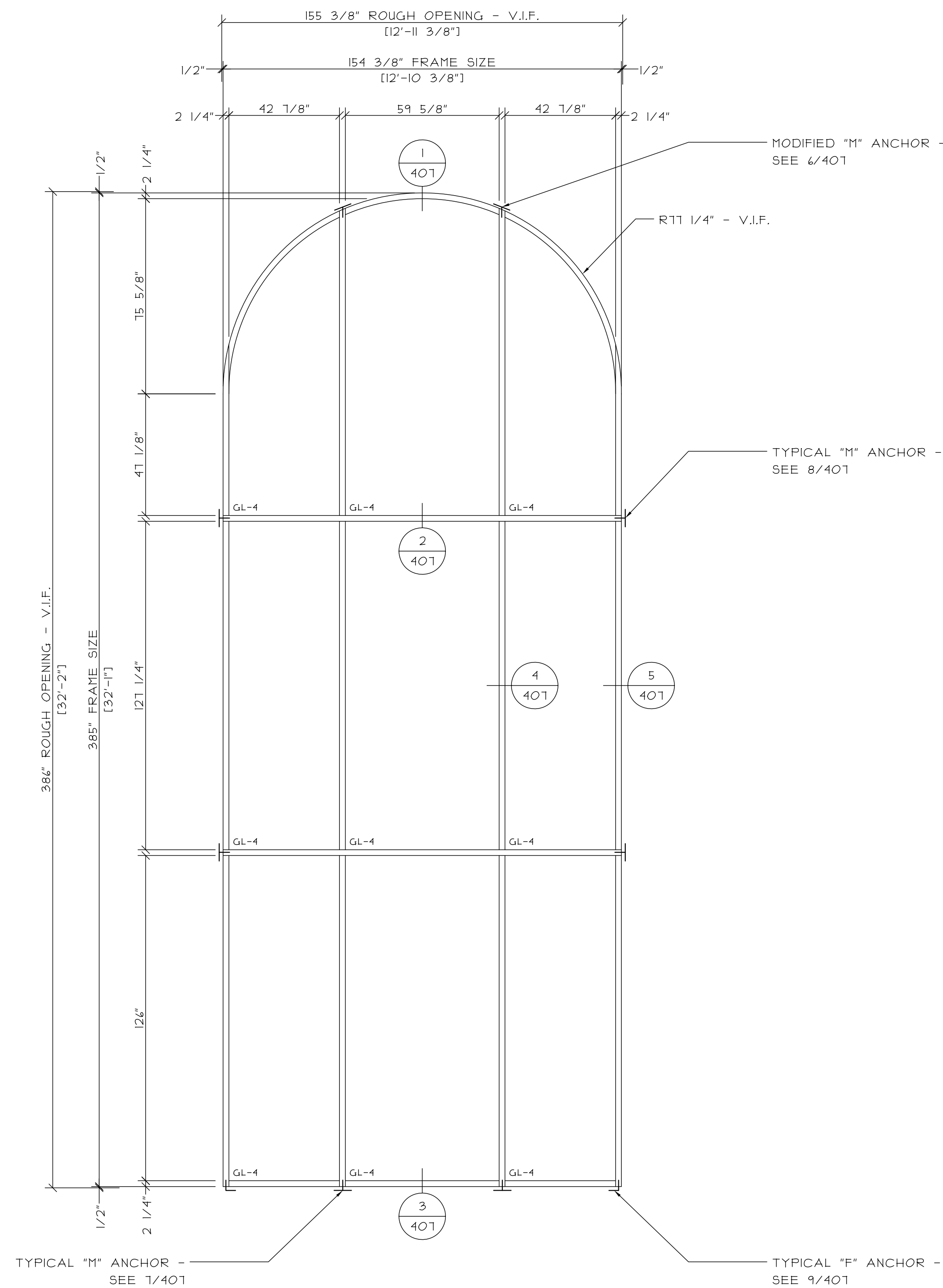


| NO. REVISION DESCRIPTION / ACTION TAKEN |  | BY | DATE |
|---|--|----|------|
| 1                                       |  |    |      |

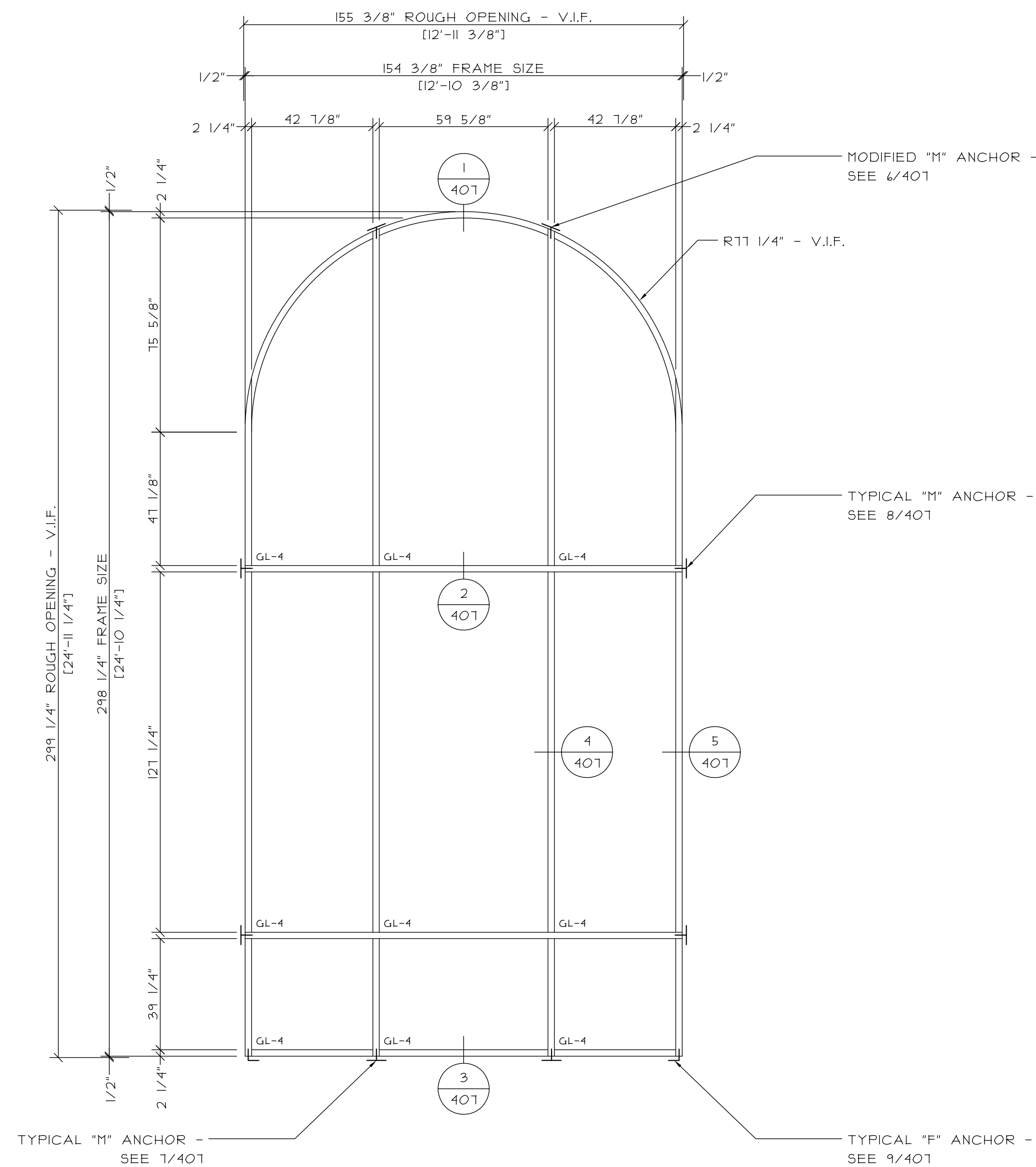
  

|                       |                         |
|-----------------------|-------------------------|
| CONSTRUCTION MANAGER: | _____                   |
| ARCHITECT INFO:       | SAMPLE                  |
| PROJECT INFO:         | SAMPLE                  |
| TITLE                 | CURTAIN WALL ELEVATIONS |
| DRAWN BY / DATE       | SAMPLE                  |
| CHECKED BY / DATE     |                         |
| PROJECT MANAGER:      | SAMPLE                  |
| SCALE:                | SAMPLE                  |
| PROJECT NO.:          | SAMPLE                  |
| DWG NO.:              | 300                     |

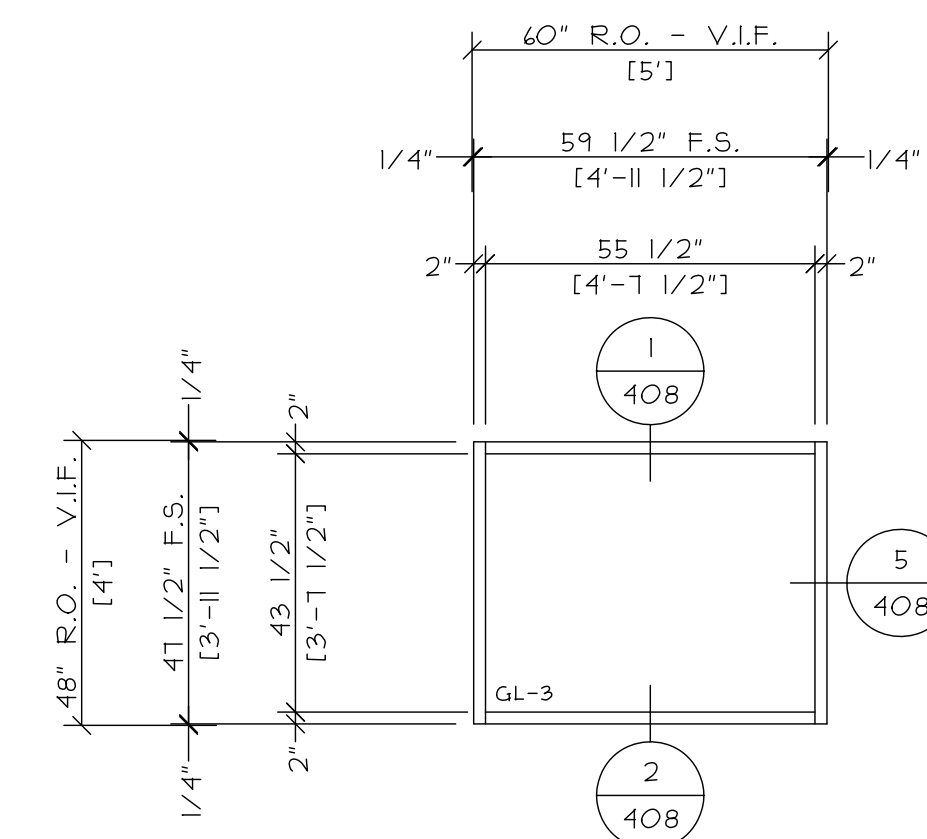




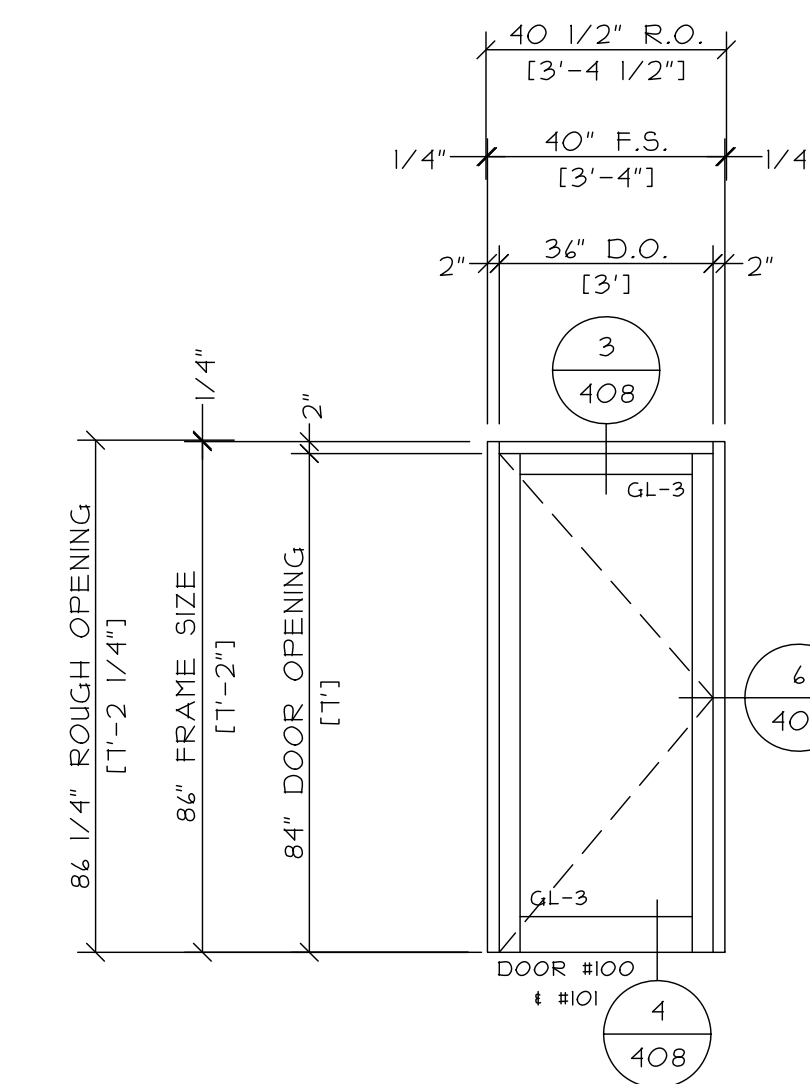
ELEVATION "CW4"  
1 TOTAL  
 5600 SERIES CURTAIN WALL  
 (2 1/4"x6") - GLAZED W/ GL-4 GLASS  
 REF. 613-4203



ELEVATION "CW5"  
1 TOTAL  
 5600 SERIES CURTAIN WALL  
 (2 1/4"x6") - GLAZED W/ GL-4 GLASS  
 REF. 613-4203



ELEVATION "SFI"  
1 TOTAL  
 402 SERIES STOREFRONT  
 W/ GL-3 GLASS

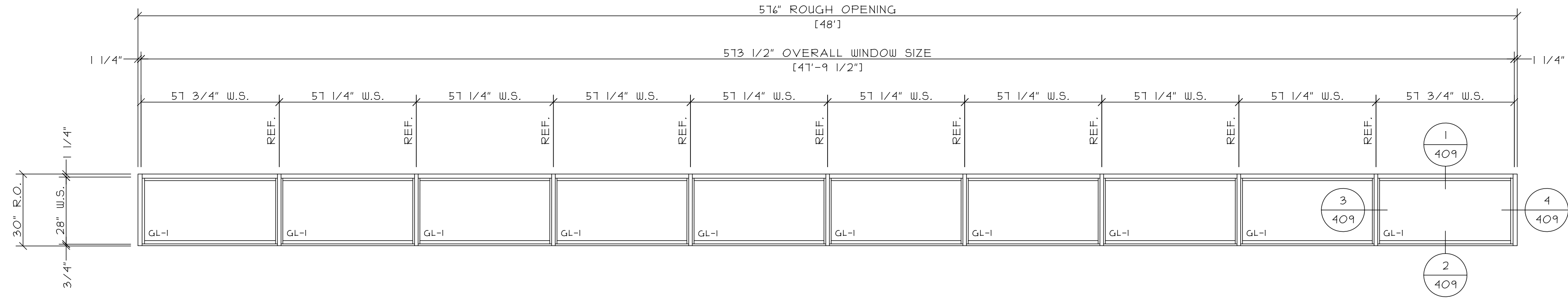


ELEVATION "DI"  
2 TOTAL  
 402 SERIES STOREFRONT  
 W/ D300 DOORS  
 GLAZED W/ GL-3 GLASS  
 DOOR #100 - H.W. SET #1  
 DOOR #101 - H.W. SET #2

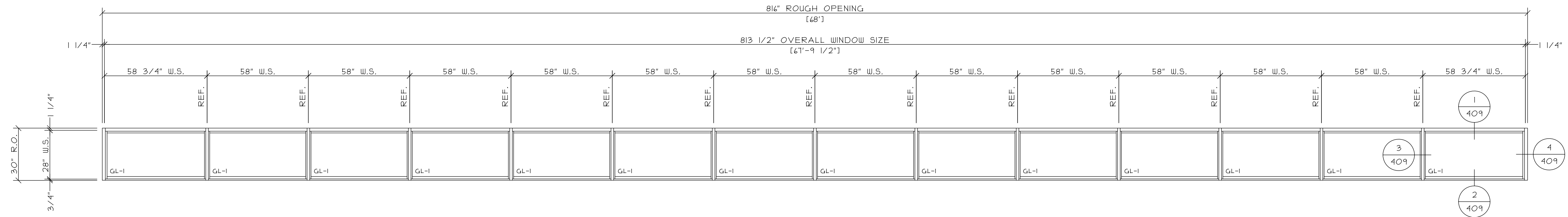
| NO. REVISION DESCRIPTION / ACTION TAKEN |  | BY | DATE |
|---|--|----|------|
| 1                                       |  |    |      |

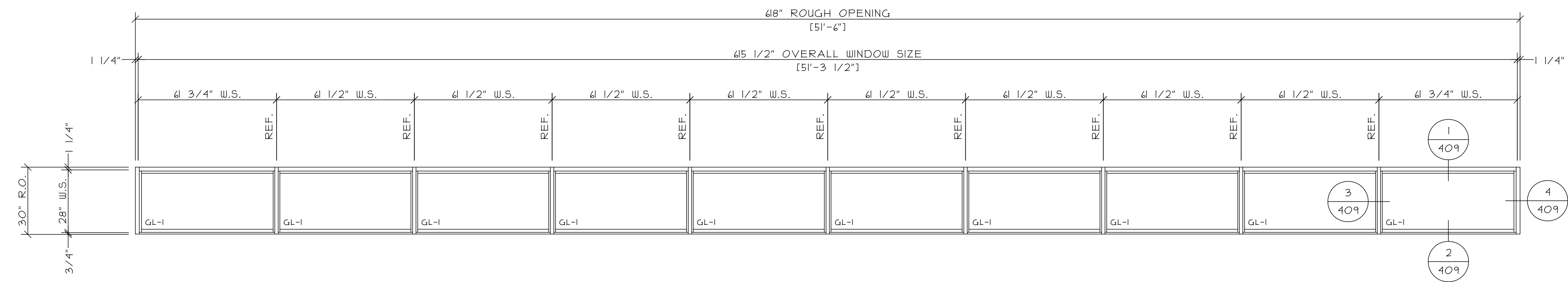
|                       |                                      |
|-----------------------|--------------------------------------|
| CONSTRUCTION MANAGER: | _____                                |
| ARCHITECT INFO:       | SAMPLE                               |
| PROJECT INFO:         | SAMPLE                               |
| TITLE                 | CURTAIN WALL & STOREFRONT ELEVATIONS |
| DRAWN BY / DATE       | SAMPLE                               |
| CHECKED BY / DATE     |                                      |
| PROJECT MANAGER:      | SAMPLE                               |
| SCALE:                | SAMPLE                               |
| PROJECT NO.:          | SAMPLE                               |
| DWG NO.:              | 302                                  |



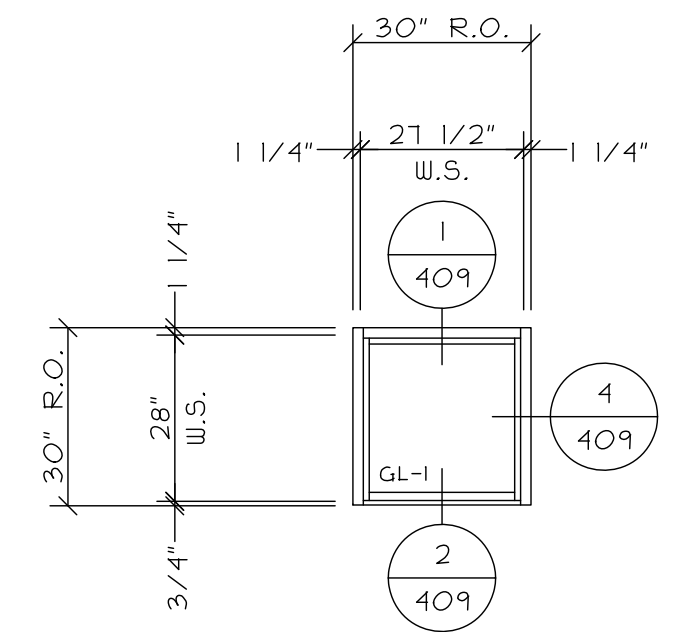
ELEVATION "W1"  
2 TOTAL  
 3900 SERIES FIXED WINDOW



ELEVATION "W2"  
1 TOTAL  
 3900 SERIES FIXED WINDOW



ELEVATION "W3"  
1 TOTAL  
 3900 SERIES FIXED WINDOW



ELEVATION "W4"  
3 TOTAL  
 3900 SERIES FIXED WINDOW

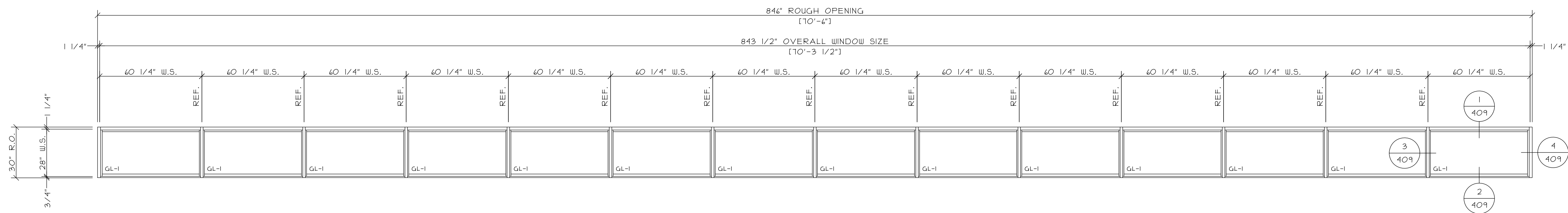
| NO. |  | REVISION DESCRIPTION / ACTION TAKEN | BY | DATE |
|-----|--|-------------------------------------|----|------|
| 1   |  |                                     |    |      |

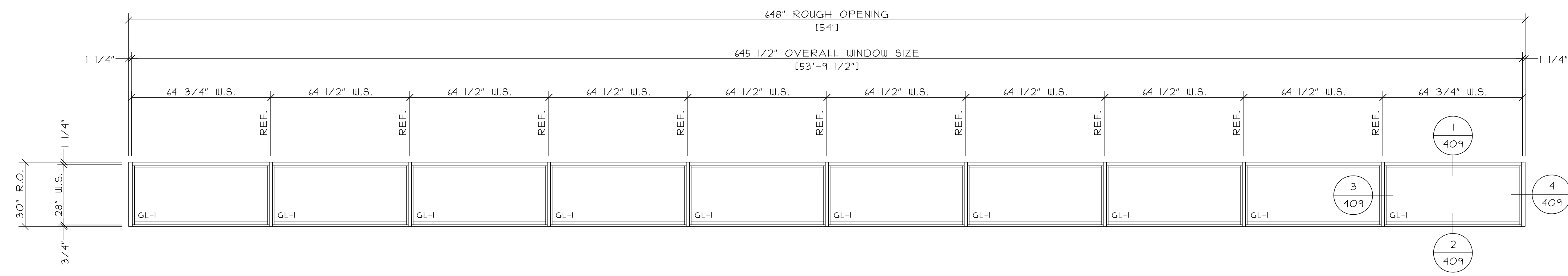
|                       |        |
|-----------------------|--------|
| CONSTRUCTION MANAGER: | _____  |
| ARCHITECT INFO:       | SAMPLE |
| PROJECT INFO:         | SAMPLE |

|                   |                   |
|-------------------|-------------------|
| TITLE             | WINDOW ELEVATIONS |
| DRAWN BY / DATE   | SAMPLE            |
| CHECKED BY / DATE |                   |
| PROJECT MANAGER:  | SAMPLE            |
| SCALE:            | SAMPLE            |
| PROJECT NO.:      | SAMPLE            |
| DWG NO.:          | 303               |

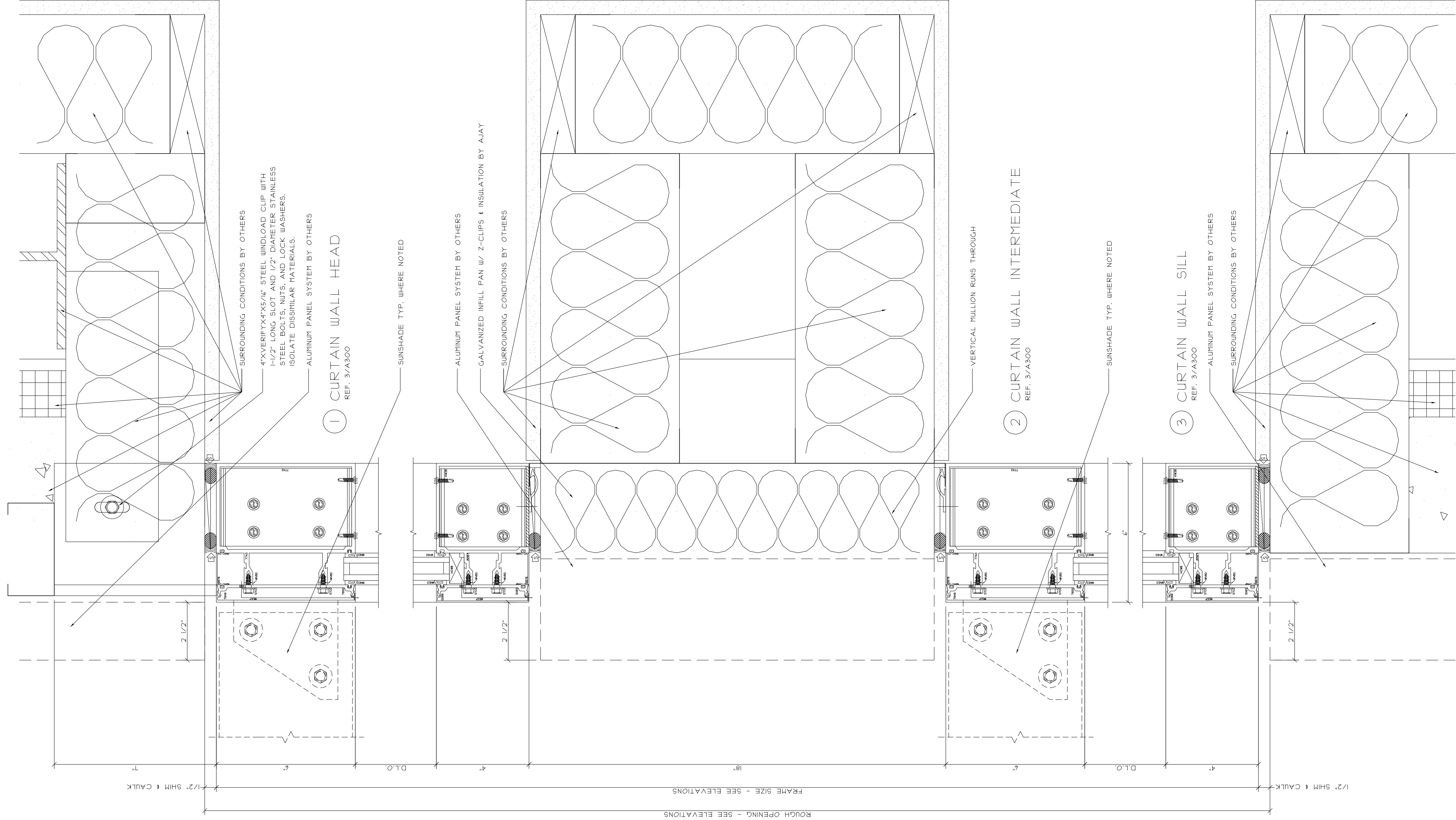


ELEVATION "W5"  
 1 TOTAL  
 3900 SERIES FIXED WINDOW



ELEVATION "W6"  
 1 TOTAL  
 3900 SERIES FIXED WINDOW

|                                     |                           |
|-------------------------------------|---------------------------|
| TITLE                               | WINDOW ELEVATIONS         |
| DRAWN BY / DATE                     | SAMPLE                    |
| CHECKED BY / DATE                   |                           |
| PROJECT MANAGER:                    | CONSTRUCTION MANAGER:<br> |
| PROJECT INFO:                       | SAMPLE                    |
| ARCHITECT INFO:                     | SAMPLE                    |
| NO.                                 | 1                         |
| REVISION DESCRIPTION / ACTION TAKEN |                           |
| BY                                  |                           |
| DATE                                |                           |



TITLE: CURTAIN WALL DETAILS

DRAWN BY / DATE: SAMPLE

CHECKED BY / DATE: SAMPLE

PROJECT MANAGER: SAMPLE

SCALE: SAMPLE

PROJECT NO.: SAMPLE

DWG NO.: 400

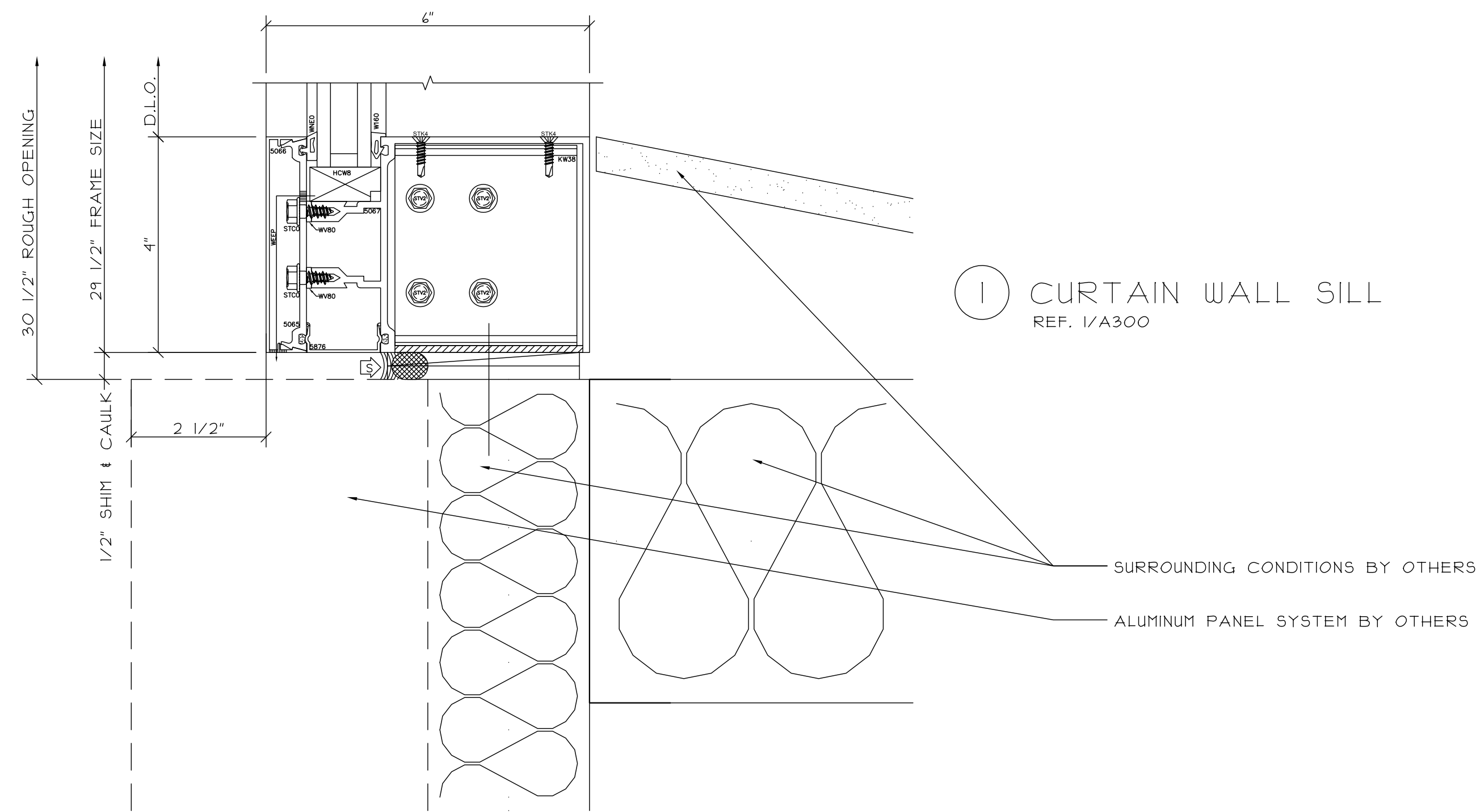
PROJECT INFO: SAMPLE

ARCHITECT INFO: SAMPLE

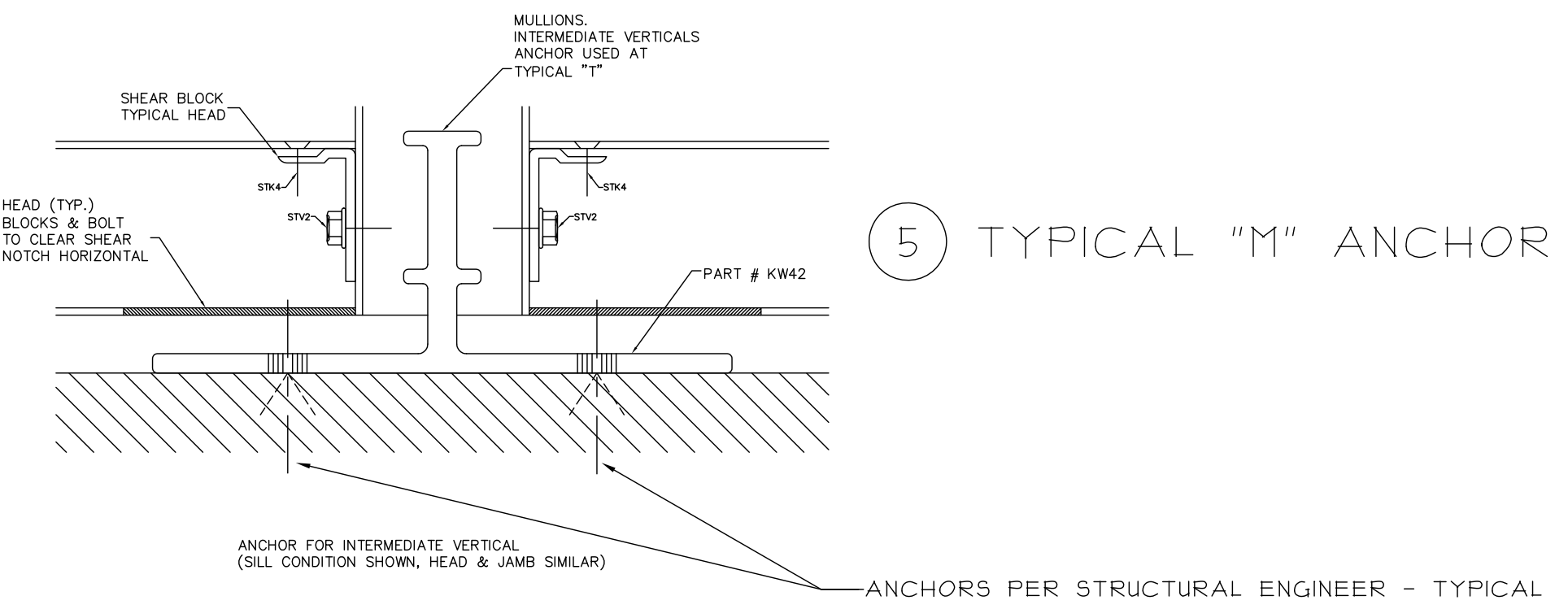
CONSTRUCTION MANAGER: - - - - -

| NO. | REVISION DESCRIPTION / ACTION TAKEN | BY | DATE |
|-----|-------------------------------------|----|------|
| 1   |                                     |    |      |

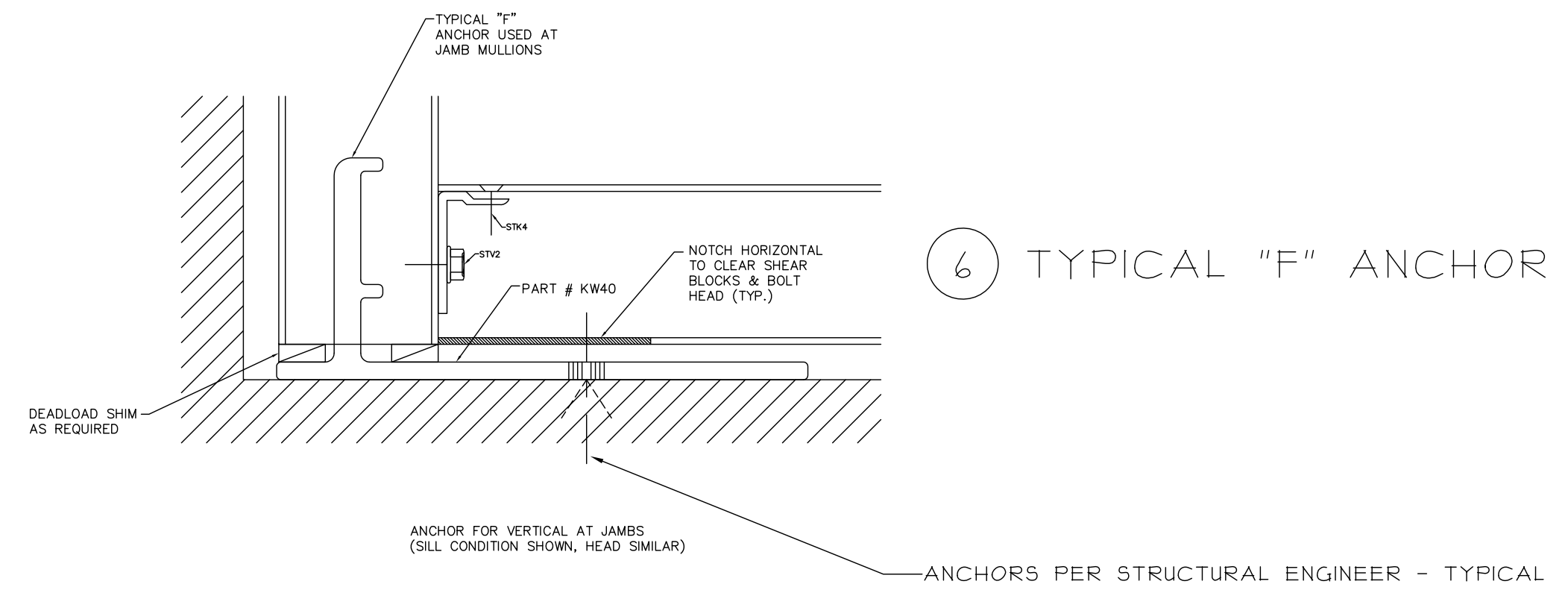




1 CURTAIN WALL SILL  
REF. 1/A300



5 TYPICAL "M" ANCHOR

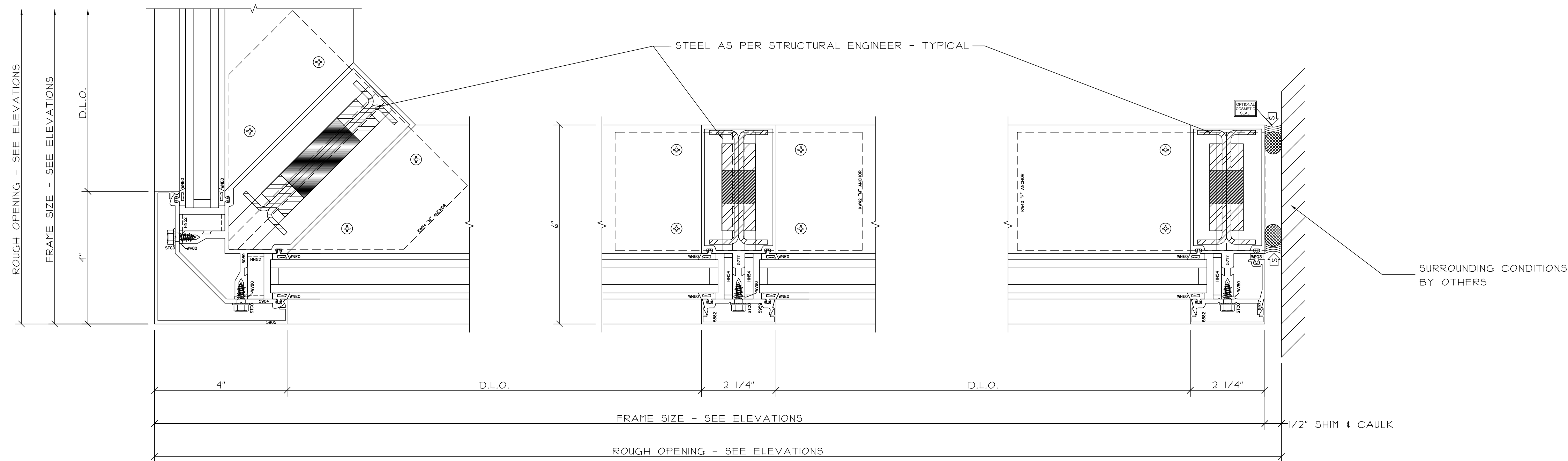


6 TYPICAL "F" ANCHOR

2 CURTAIN WALL 90° CORNER

3 CURTAIN WALL VERTICAL

4 CURTAIN WALL JAMB



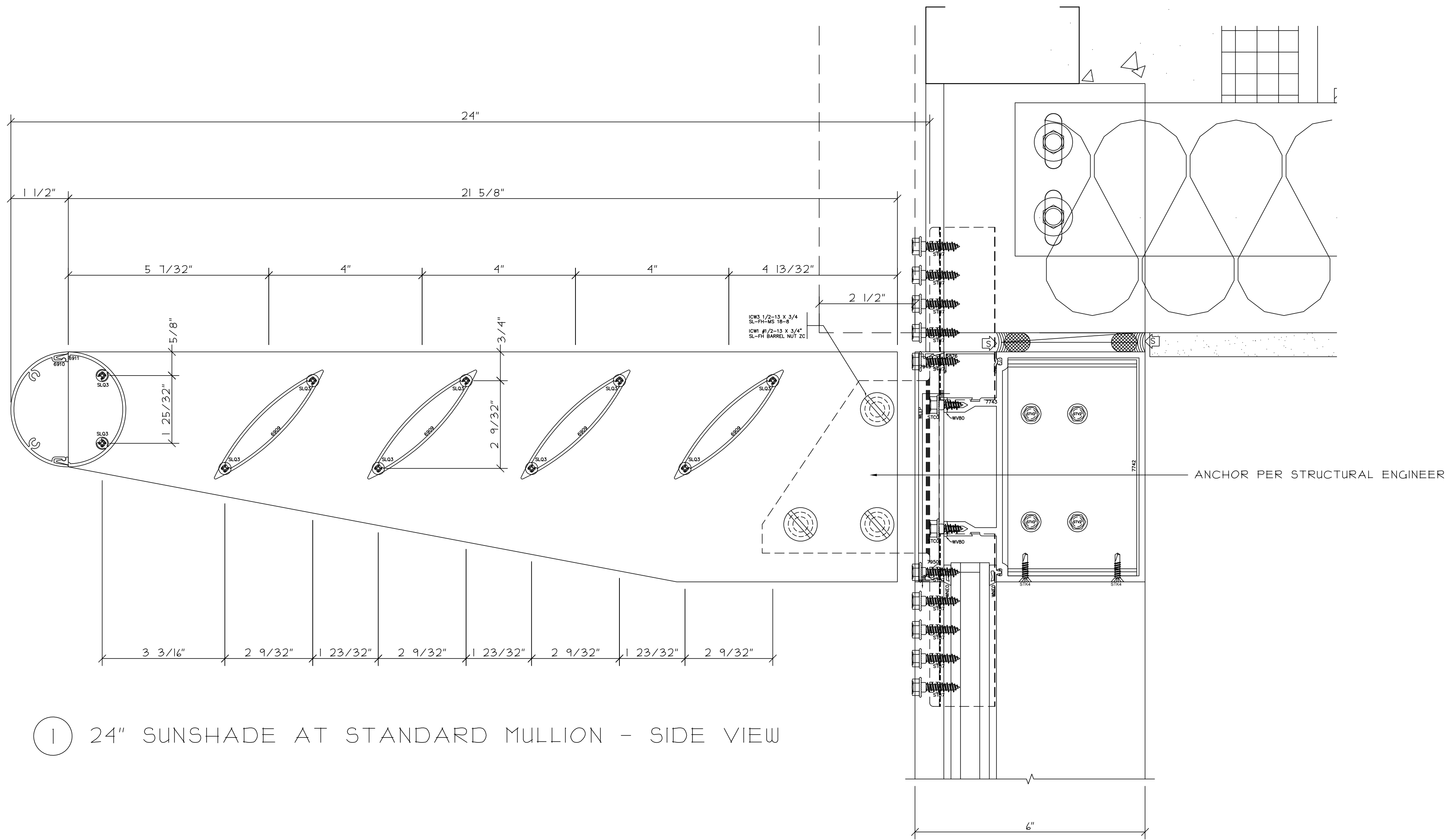
| NO. | REVISION DESCRIPTION / ACTION TAKEN | BY | DATE |
|-----|-------------------------------------|----|------|
| 1   |                                     |    |      |

CONSTRUCTION MANAGER:  
| | | | |

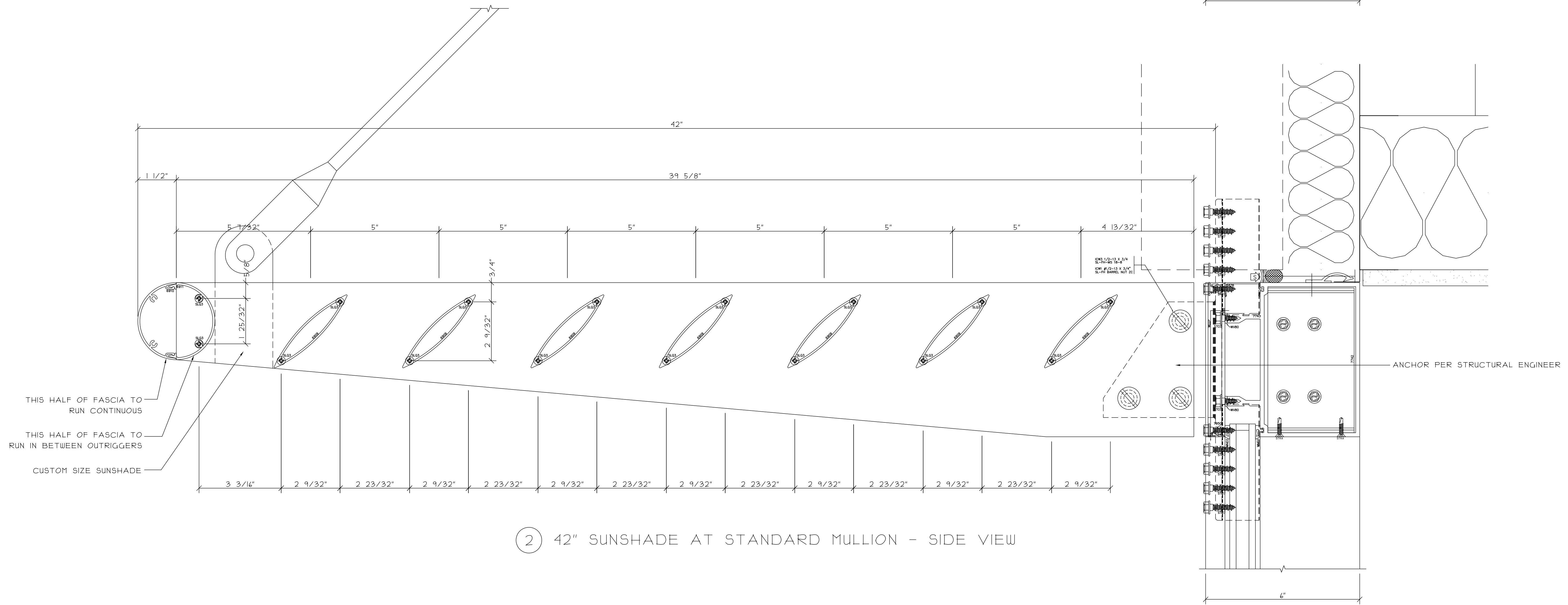
ARCHITECT INFO:  
SAMPLE

PROJECT INFO:  
SAMPLE

|                   |                      |
|-------------------|----------------------|
| TITLE             | CURTAIN WALL DETAILS |
| DRAWN BY / DATE   | JBS / 12-09-08       |
| CHECKED BY / DATE |                      |
| PROJECT MANAGER   | D.M.                 |
| SCALE             | 6" = 1'-0"           |
| PROJECT NO.       | 6113                 |
| DWG NO.           | 401                  |



① 24" SUNSHADE AT STANDARD MULLION - SIDE VIEW



② 42" SUNSHADE AT STANDARD MULLION - SIDE VIEW

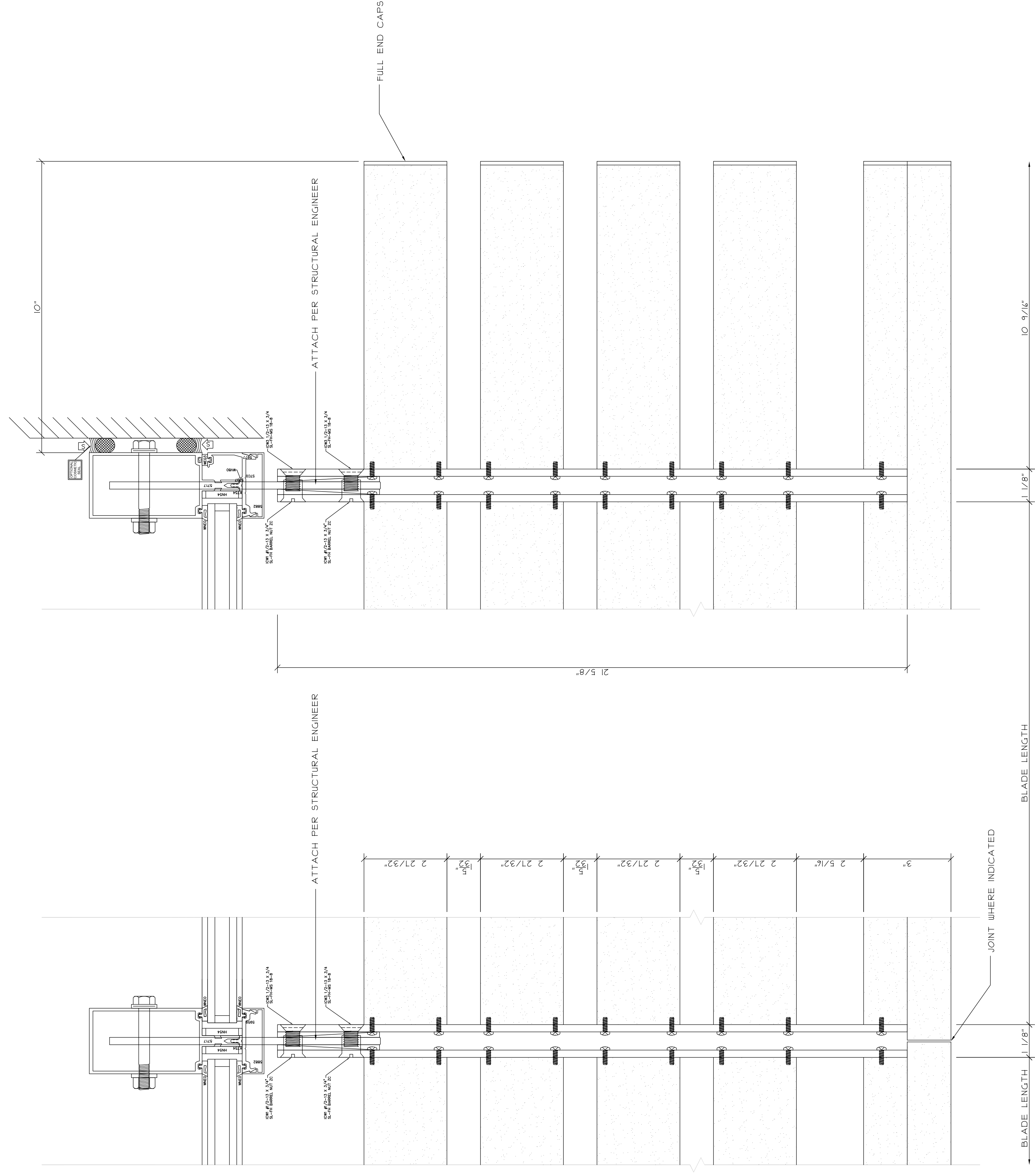
| NO. REVISION DESCRIPTION / ACTION TAKEN |  | BY | DATE |
|---|--|----|------|
| 1                                       |  |    |      |

|                       |                  |
|-----------------------|------------------|
| CONSTRUCTION MANAGER: |                  |
| ARCHITECT INFO:       | SAMPLE           |
| PROJECT INFO:         | SAMPLE           |
| TITLE                 | SUNSHADE DETAILS |
| DRAWN BY / DATE       | SAMPLE           |
| CHECKED BY / DATE     |                  |
| PROJECT MANAGER:      | SAMPLE           |
| SCALE:                | SAMPLE           |
| PROJECT NO.:          | SAMPLE           |
| DWG NO.:              | 402              |

① OUTRIGGER AT INTERMEDIATE

② OUTRIGGER AT JAMB

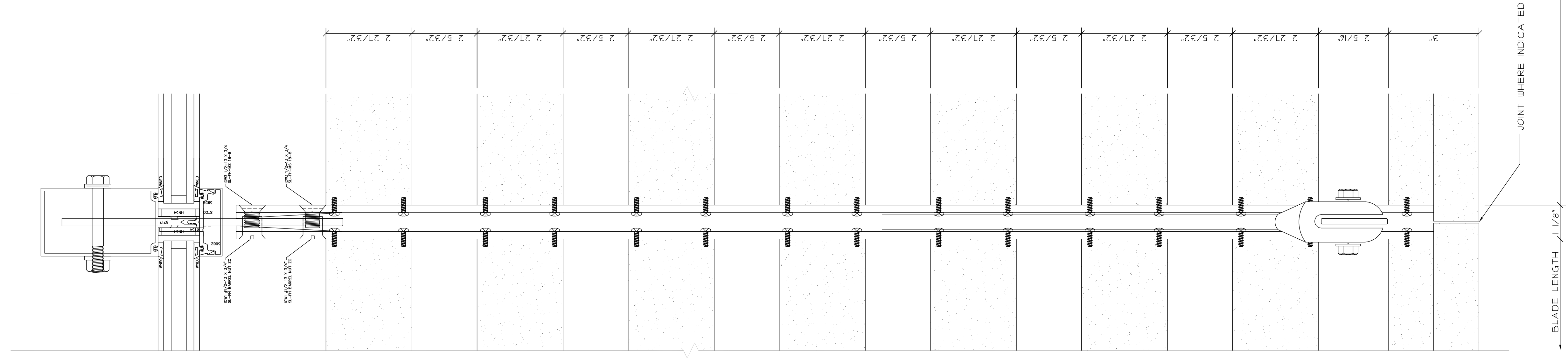


|                   |                     |
|-------------------|---------------------|
| TITLE             | SUNSHADE<br>DETAILS |
| DRAWN BY / DATE   | SAMPLE              |
| CHECKED BY / DATE |                     |
| PROJECT MANAGER   | SAMPLE              |
| SCALE             | SAMPLE              |
| PROJECT NO.       | SAMPLE              |
| DWG NO.           | 403                 |

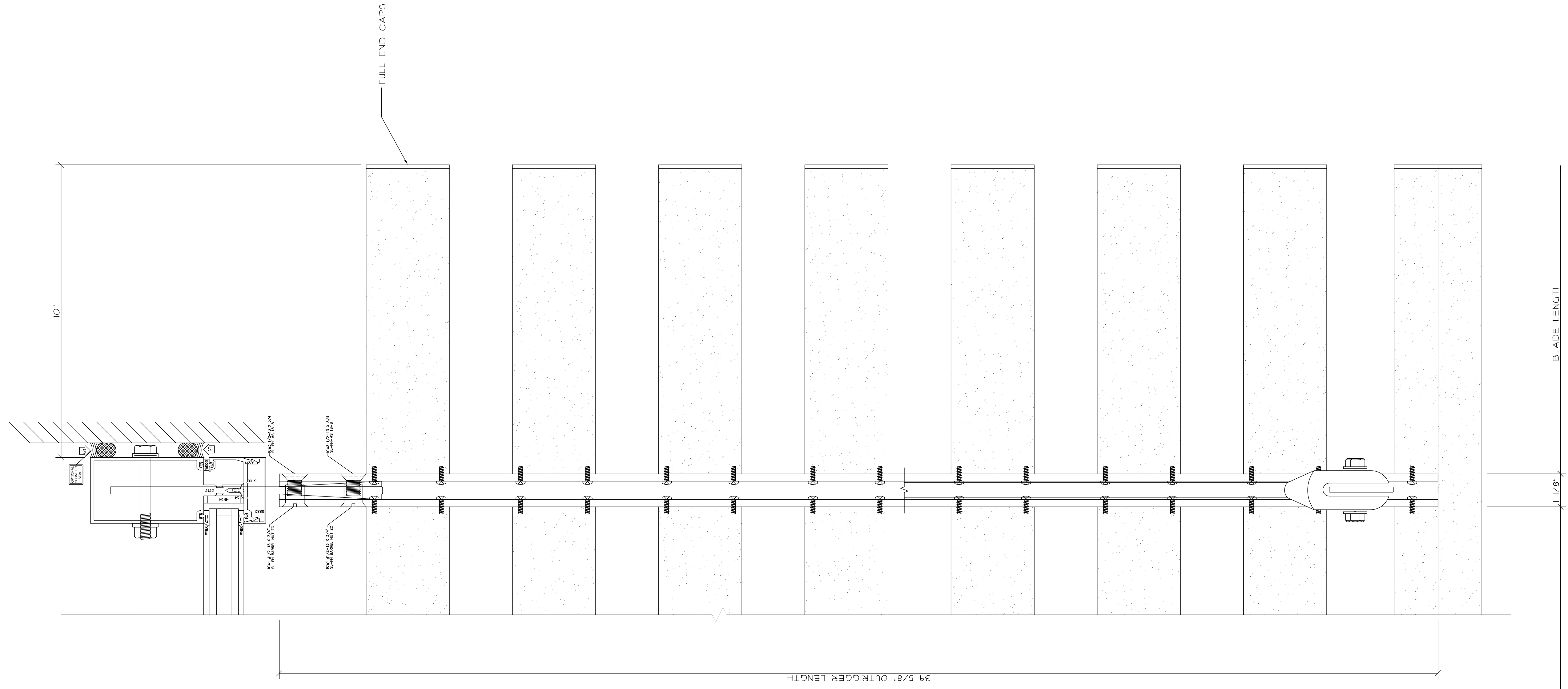
|                       |           |
|-----------------------|-----------|
| PROJECT INFO:         | SAMPLE    |
| ARCHITECT INFO:       | SAMPLE    |
| CONSTRUCTION MANAGER: | - - - - - |

|     |                                     |    |      |
|-----|-------------------------------------|----|------|
| NO. | REVISION DESCRIPTION / ACTION TAKEN | BY | DATE |
| 1   |                                     |    |      |

① OUTRIGGER AT INTERMEDIATE



② OUTRIGGER AT JAMB



TITLE  
SUNSHADE  
DETAILS

DRAWN BY / DATE  
SAMPLE

CHECKED BY / DATE

PROJECT MANAGER  
SAMPLE

SCALE  
SAMPLE

PROJECT NO.  
SAMPLE

DWG NO.  
404

CONSTRUCTION MANAGER:  
- - - - -

ARCHITECT INFO:  
SAMPLE

PROJECT INFO:  
SAMPLE

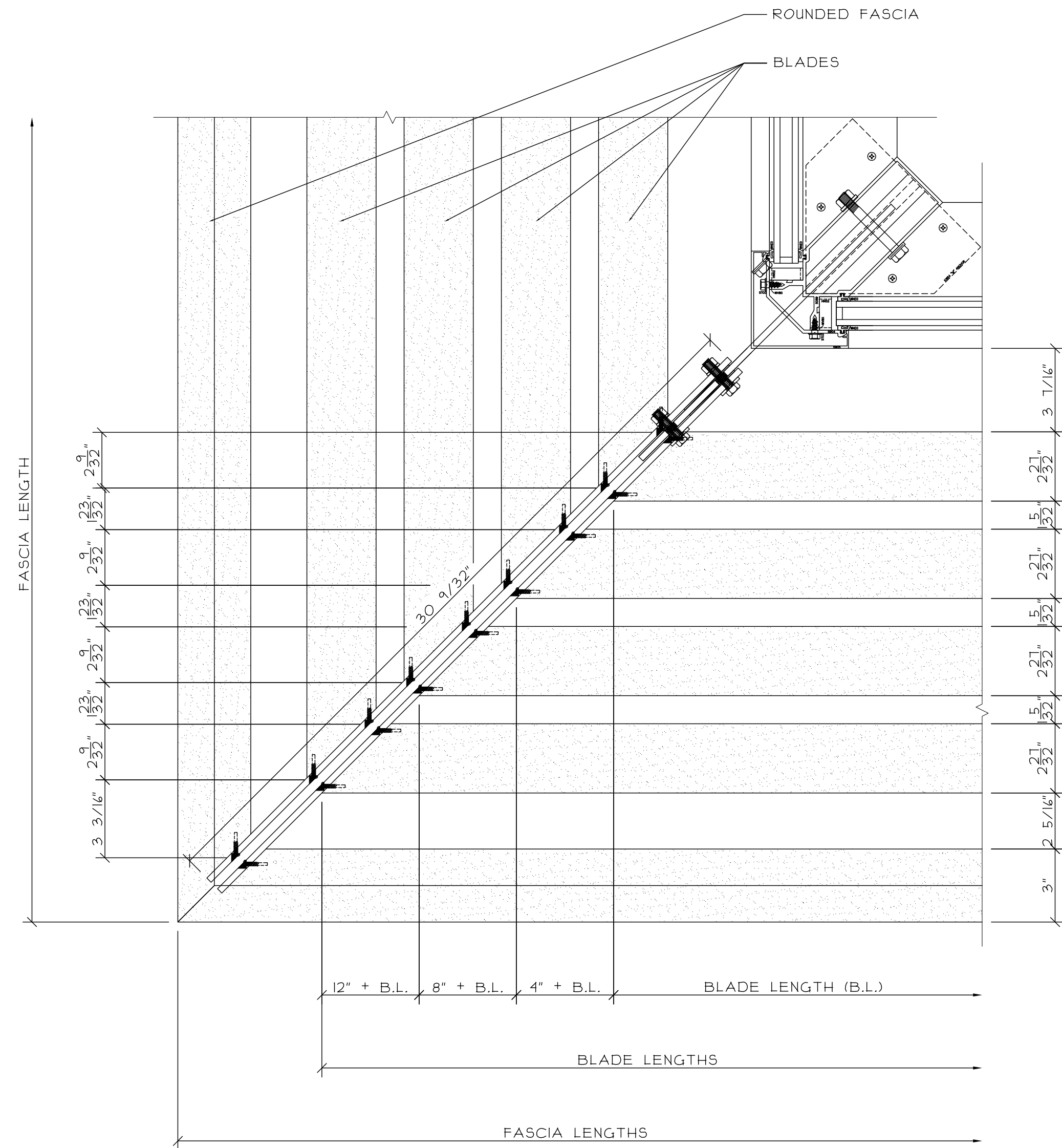
1

NO. REVISION DESCRIPTION / ACTION TAKEN

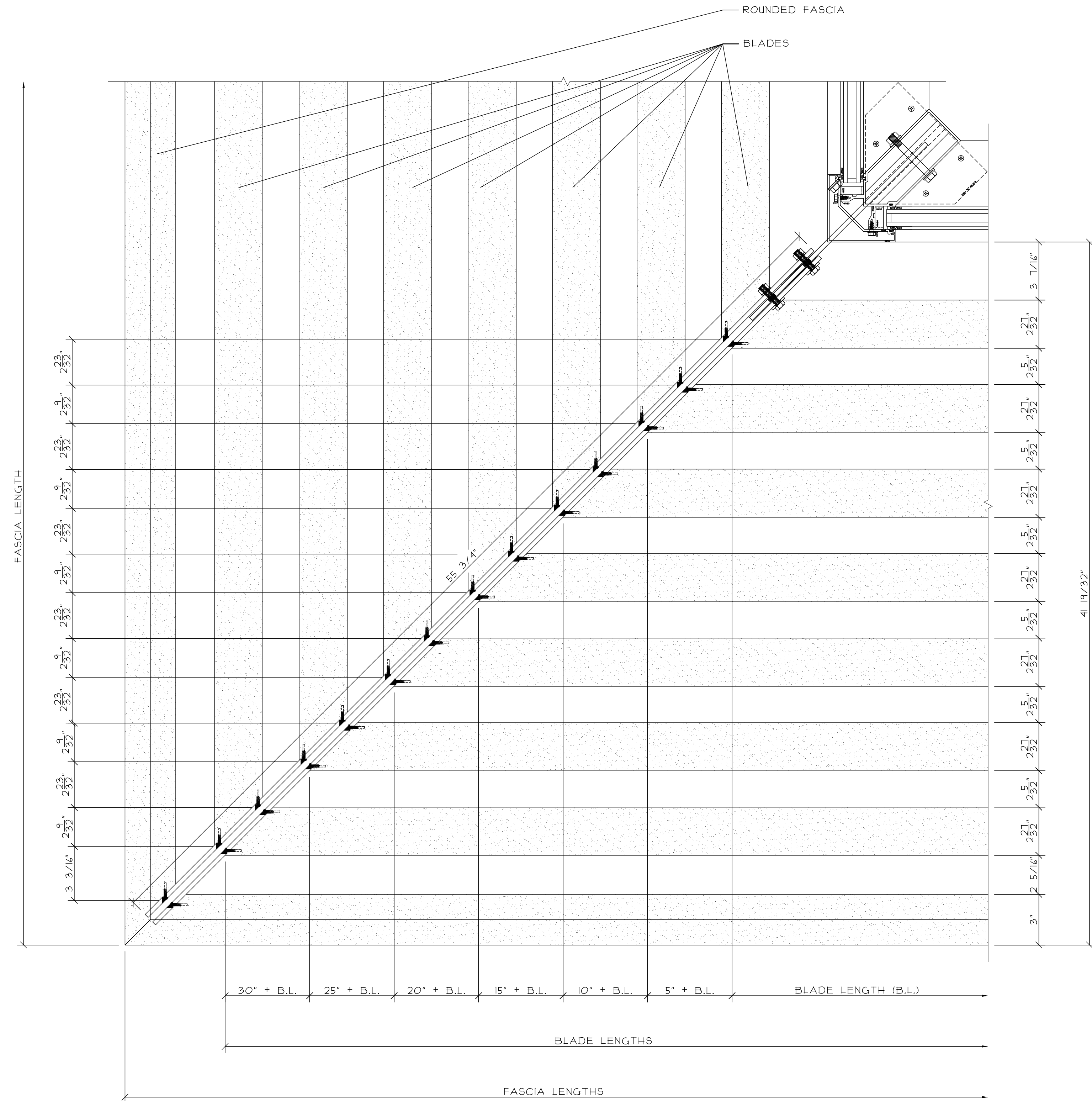
BY

DATE

① 90° CORNER MULLION  
AT UPPER SUNSHADE



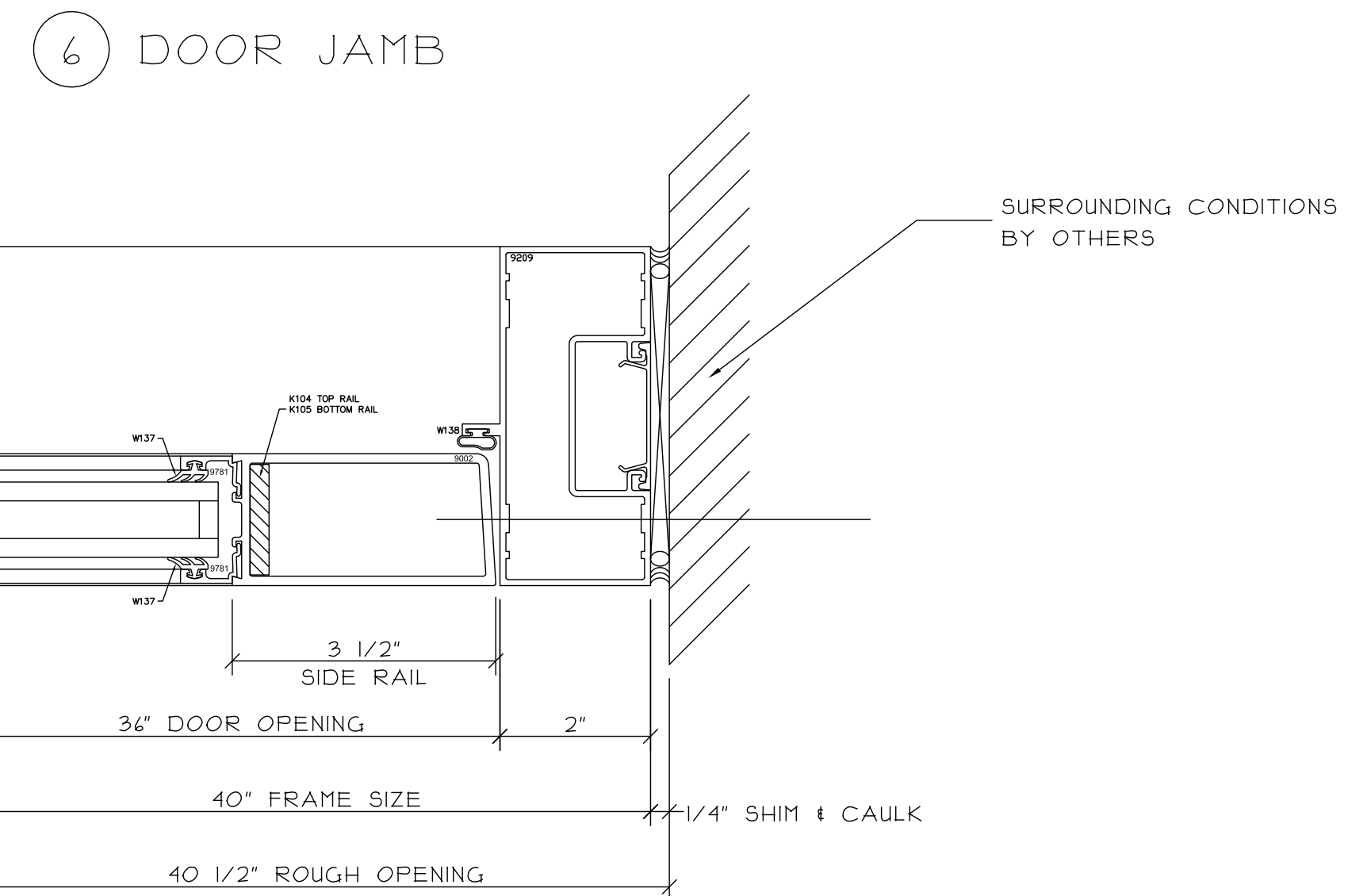
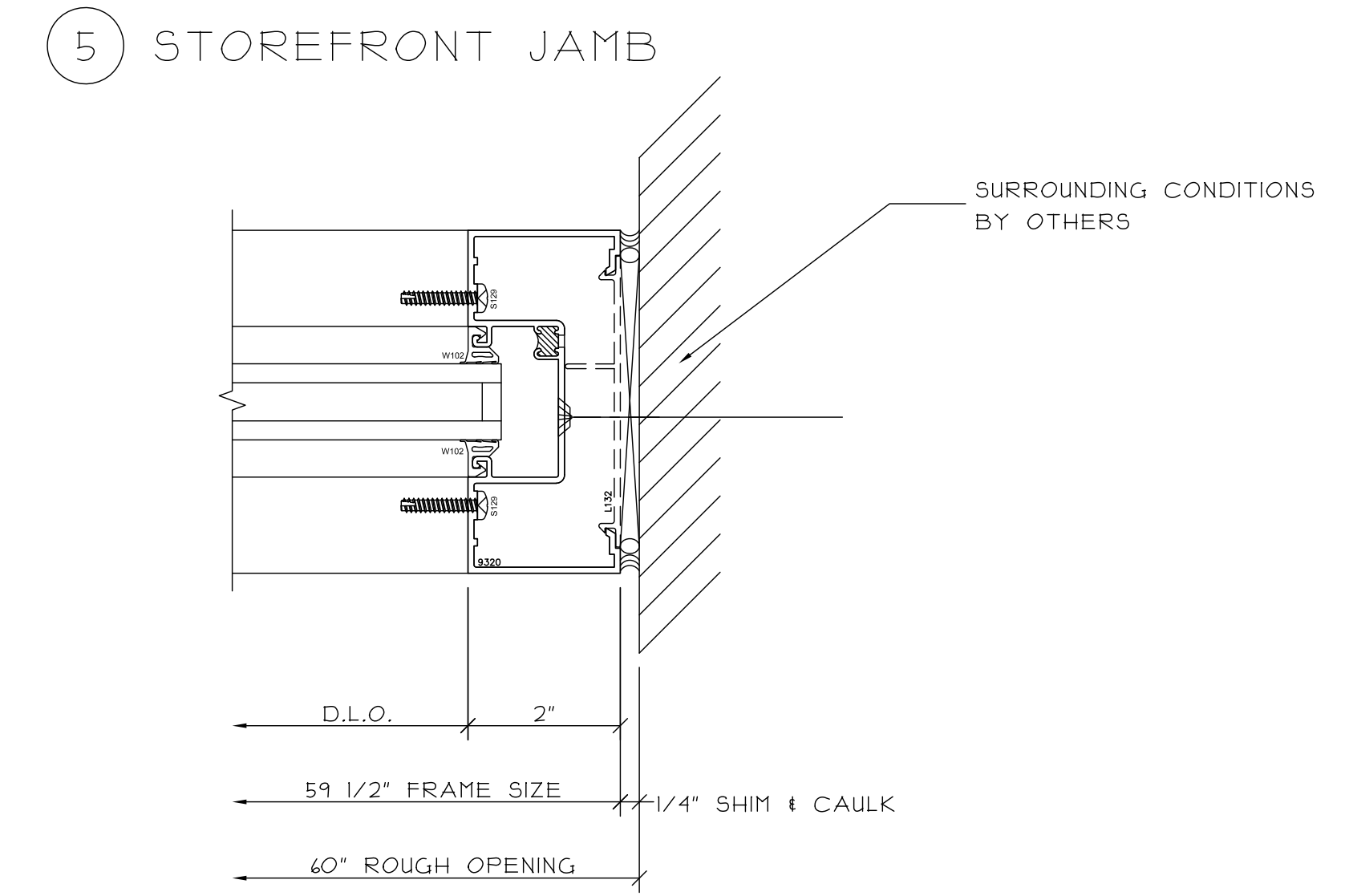
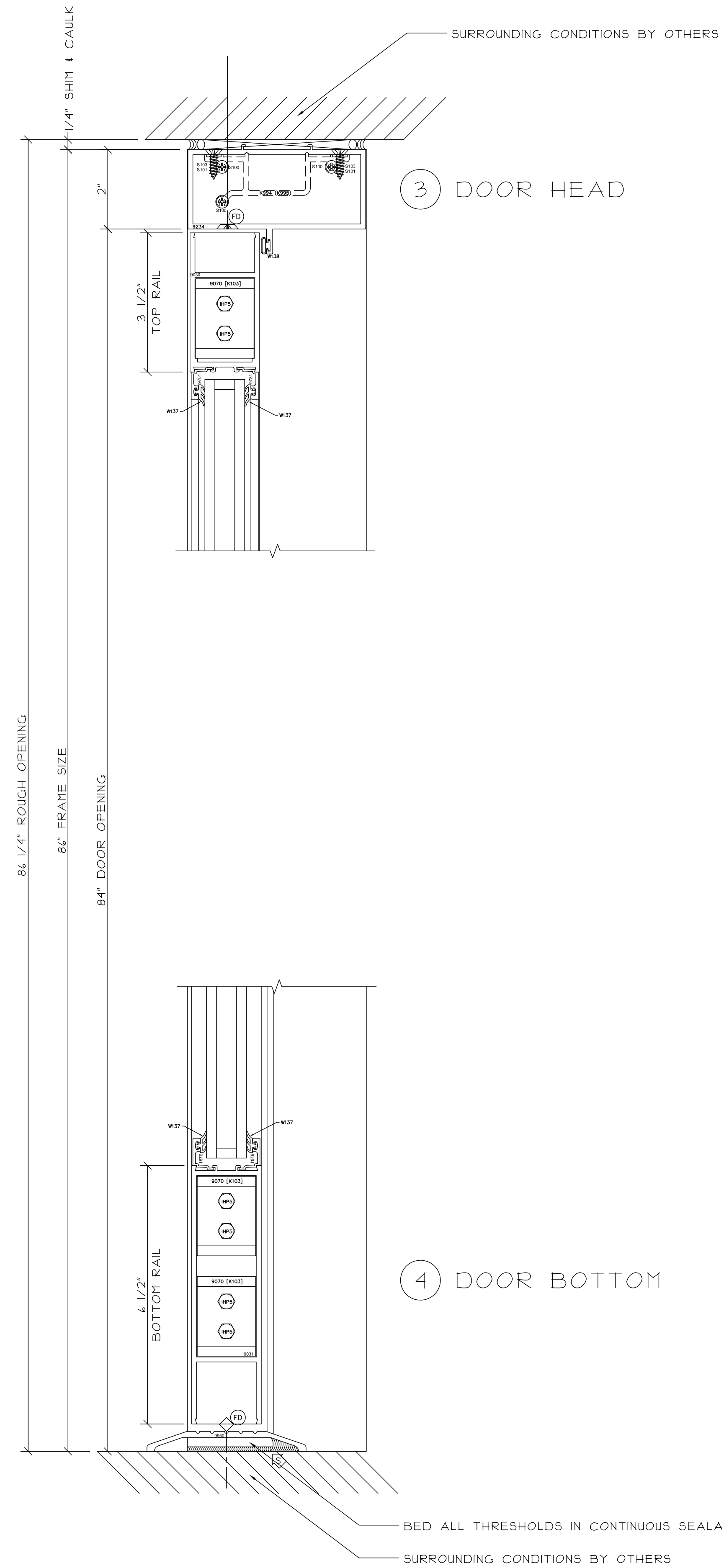
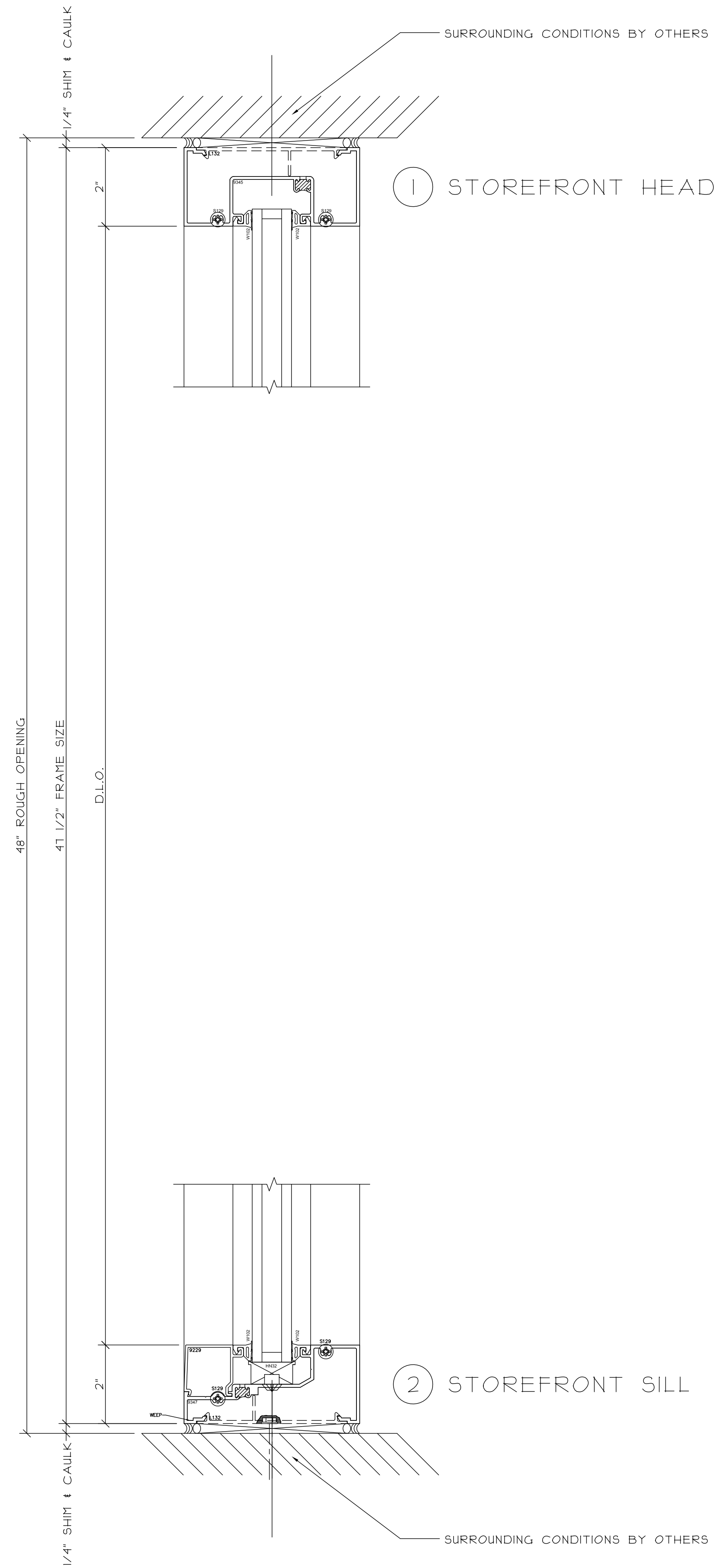
② 90° CORNER MULLION  
AT LOWER SUNSHADE



|                                     |                     |
|-------------------------------------|---------------------|
| TITLE                               | SUNSHADE<br>DETAILS |
| DRAWN BY / DATE                     | SAMPLE              |
| CHECKED BY / DATE                   |                     |
| PROJECT MANAGER                     | SAMPLE              |
| SCALE                               | SAMPLE              |
| PROJECT NO.                         | SAMPLE              |
| DWG NO.                             | 405                 |
| CONSTRUCTION MANAGER:               | _____               |
| ARCHITECT INFO:                     | SAMPLE              |
| PROJECT INFO:                       | SAMPLE              |
| NO.                                 | 1                   |
| REVISION DESCRIPTION / ACTION TAKEN |                     |
| BY                                  |                     |
| DATE                                |                     |





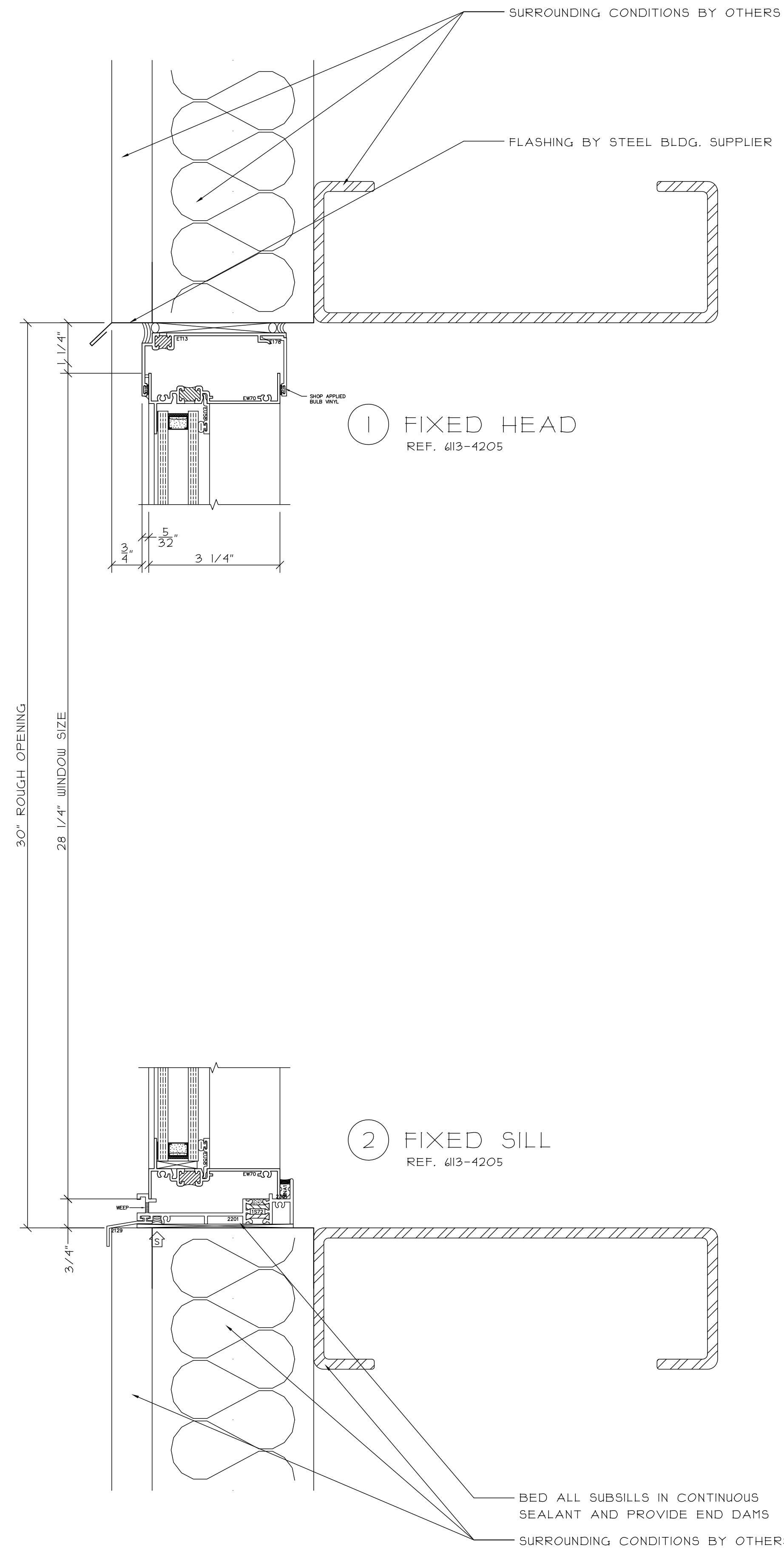


| NO. REVISION DESCRIPTION / ACTION TAKEN |  | BY | DATE |
|---|--|----|------|
| 1                                       |  |    |      |

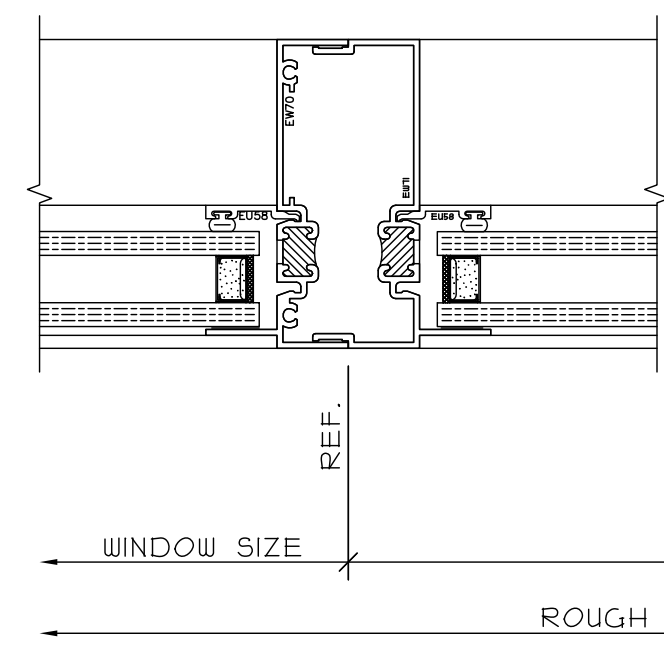
  

|                       |                    |
|-----------------------|--------------------|
| CONSTRUCTION MANAGER: | _____              |
| ARCHITECT INFO:       | SAMPLE             |
| PROJECT INFO:         | SAMPLE             |
| TITLE                 | STOREFRONT DETAILS |
| DRAWN BY / DATE       | SAMPLE             |
| CHECKED BY / DATE     |                    |
| PROJECT MANAGER:      | SAMPLE             |
| SCALE:                | SAMPLE             |
| PROJECT NO.:          | SAMPLE             |
| DWG NO.:              | 408                |

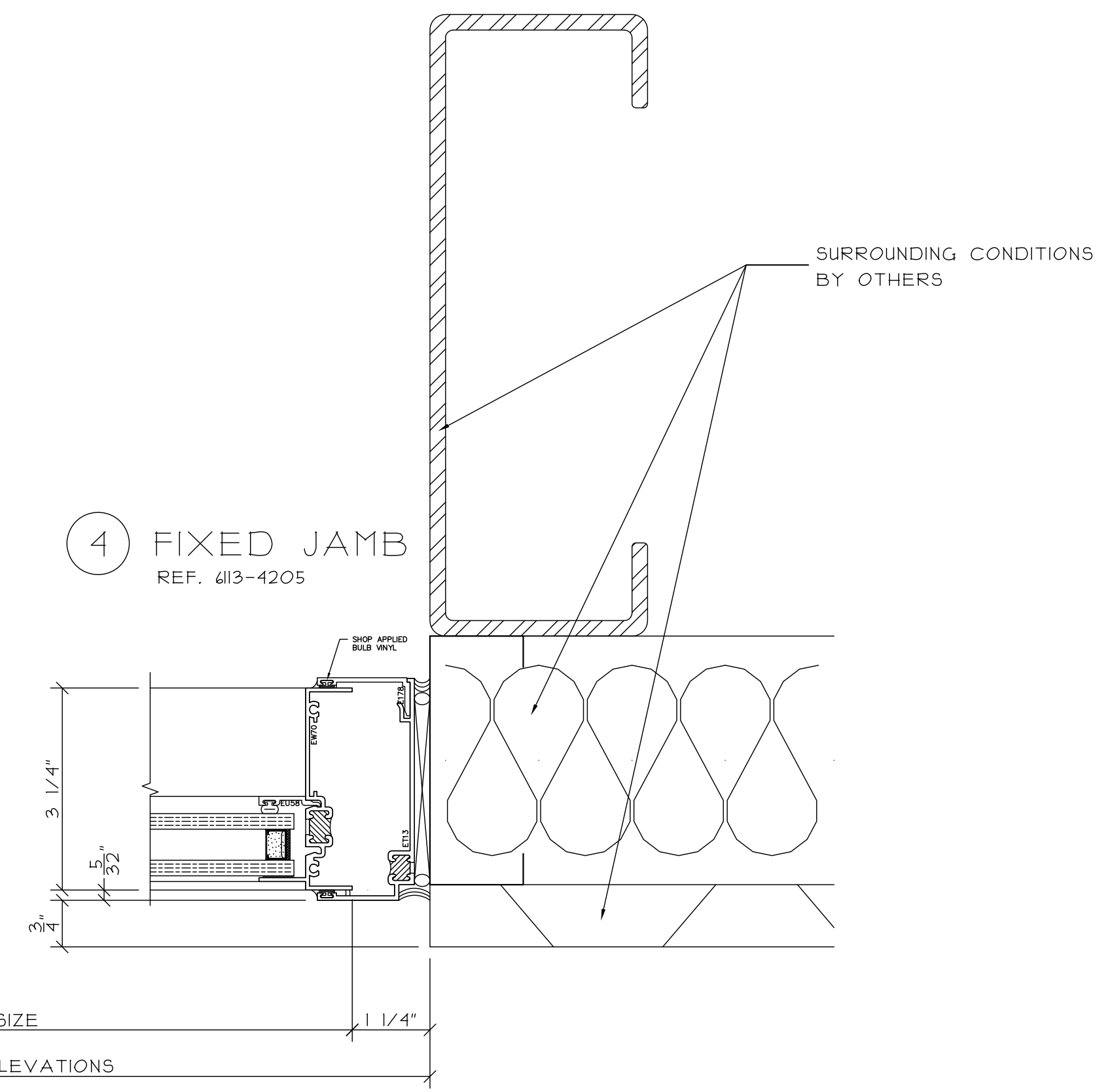




3 FIXED/FIXED SIDESTACK



4 FIXED JAMB  
REF. #13-4205



TITLE  
WINDOW  
DETAILS

DRAWN BY / DATE  
SAMPLE

CHECKED BY / DATE

PROJECT MANAGER  
SAMPLE

SCALE  
SAMPLE

PROJECT NO.  
SAMPLE

DWG NO.  
409

CONSTRUCTION MANAGER:  
| | | | |

ARCHITECT INFO:  
SAMPLE

PROJECT INFO:  
SAMPLE

| NO. | REVISION DESCRIPTION / ACTION TAKEN | BY | DATE |
|-----|-------------------------------------|----|------|
| 1   |                                     |    |      |