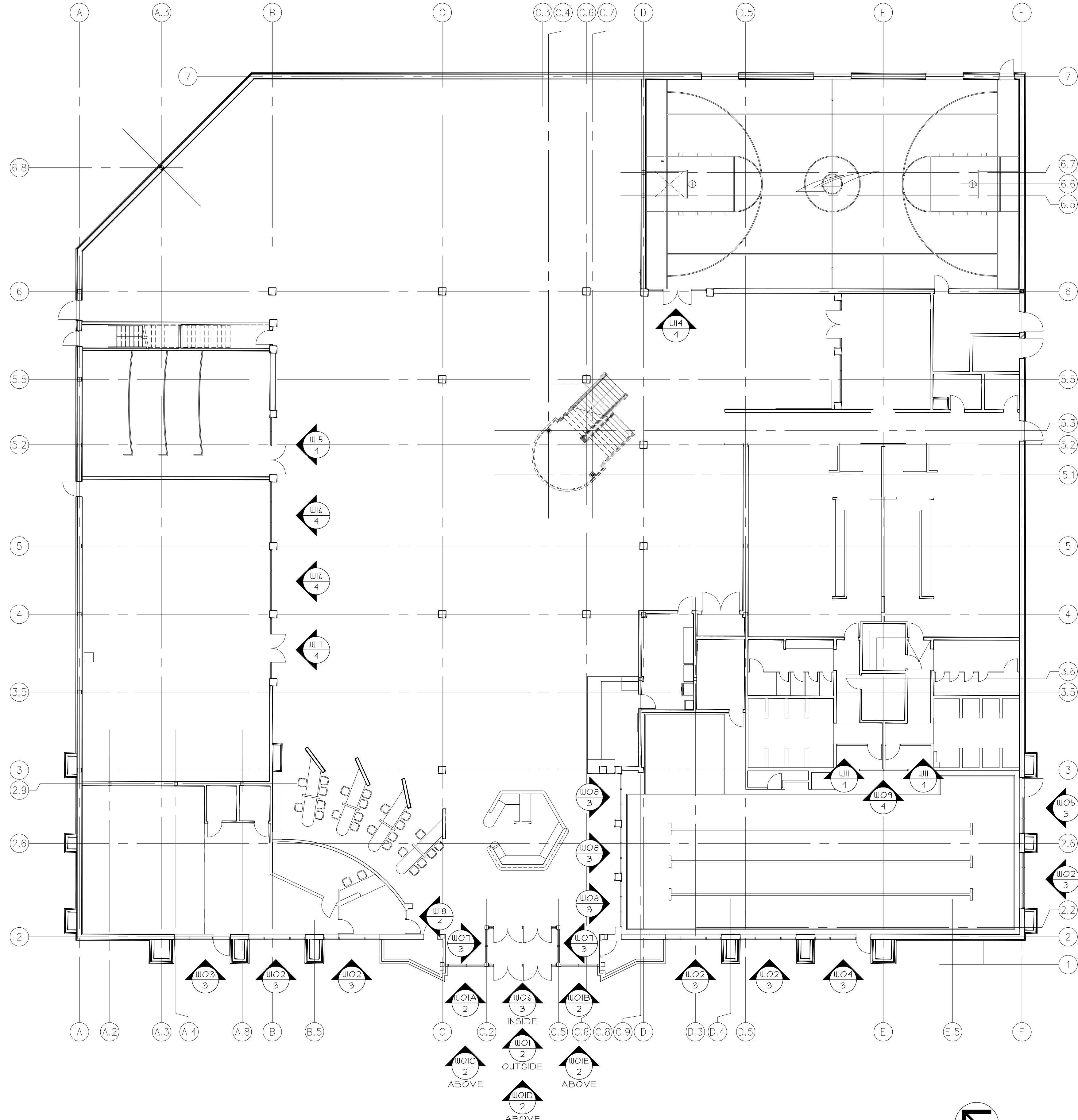


ALUMINUM STOREFRONTS & ENTRANCES

GENERAL NOTES:

I. GENERAL DETAILS



FIRST FLOOR - KEY PLAN



REVISIONS:

NO.	DESCRIPTION	DATE

GLAZING CONTRACTOR:

SAMPLE
SAMPLE
SAMPLE
SAMPLE
SAMPLE
SAMPLE
SAMPLE
SAMPLE
SAMPLE
SAMPLE
SAMPLE
SAMPLE

ARCHITECT:

SAMPLE
SAMPLE
SAMPLE
SAMPLE
SAMPLE
SAMPLE
SAMPLE
SAMPLE
SAMPLE
SAMPLE
SAMPLE

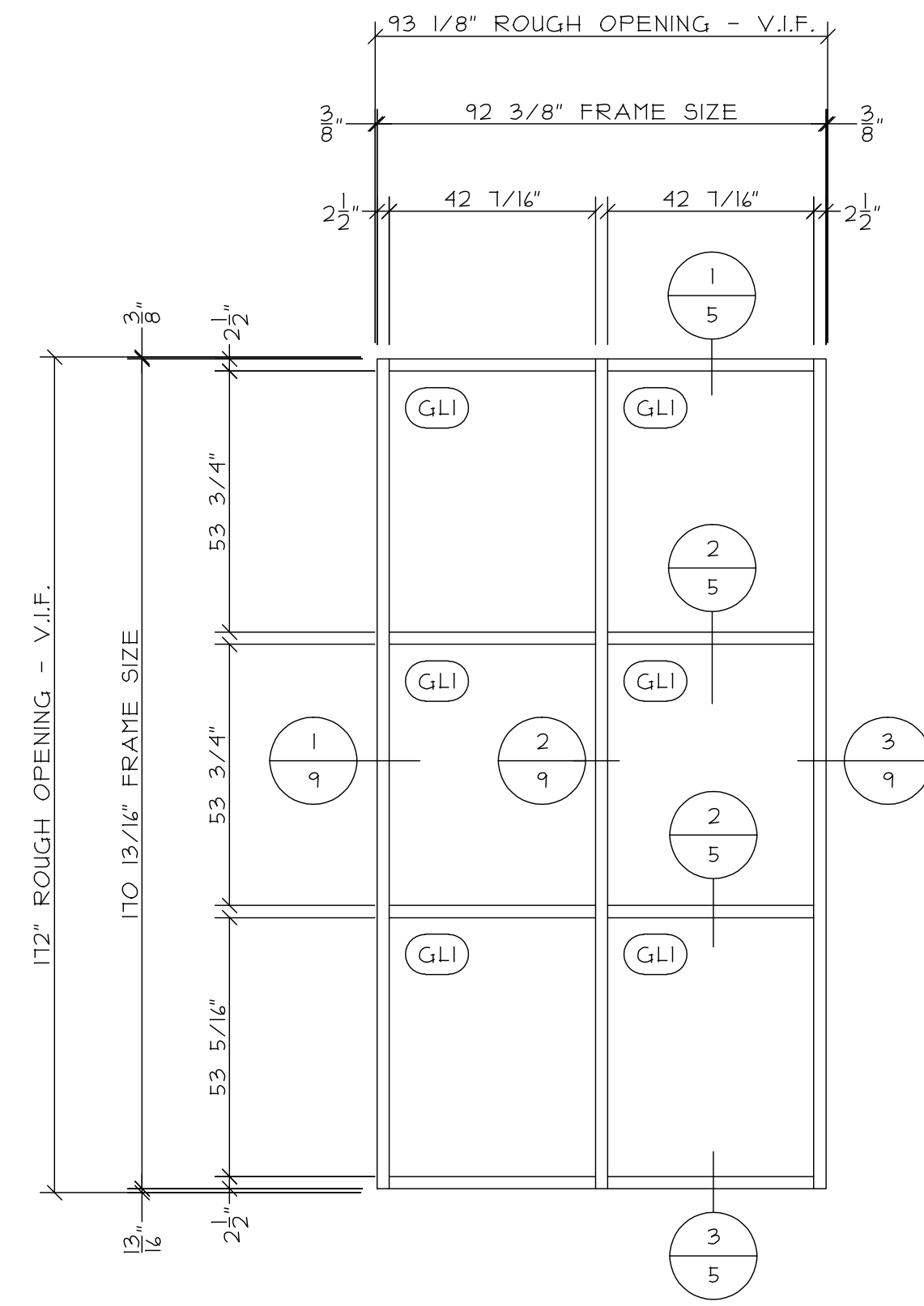
PROJECT:	SAMPLE SAMPLE SAMPLE
LOCATION:	SAMPLE SAMPLE SAMPLE

SCALE:
N.T.S.

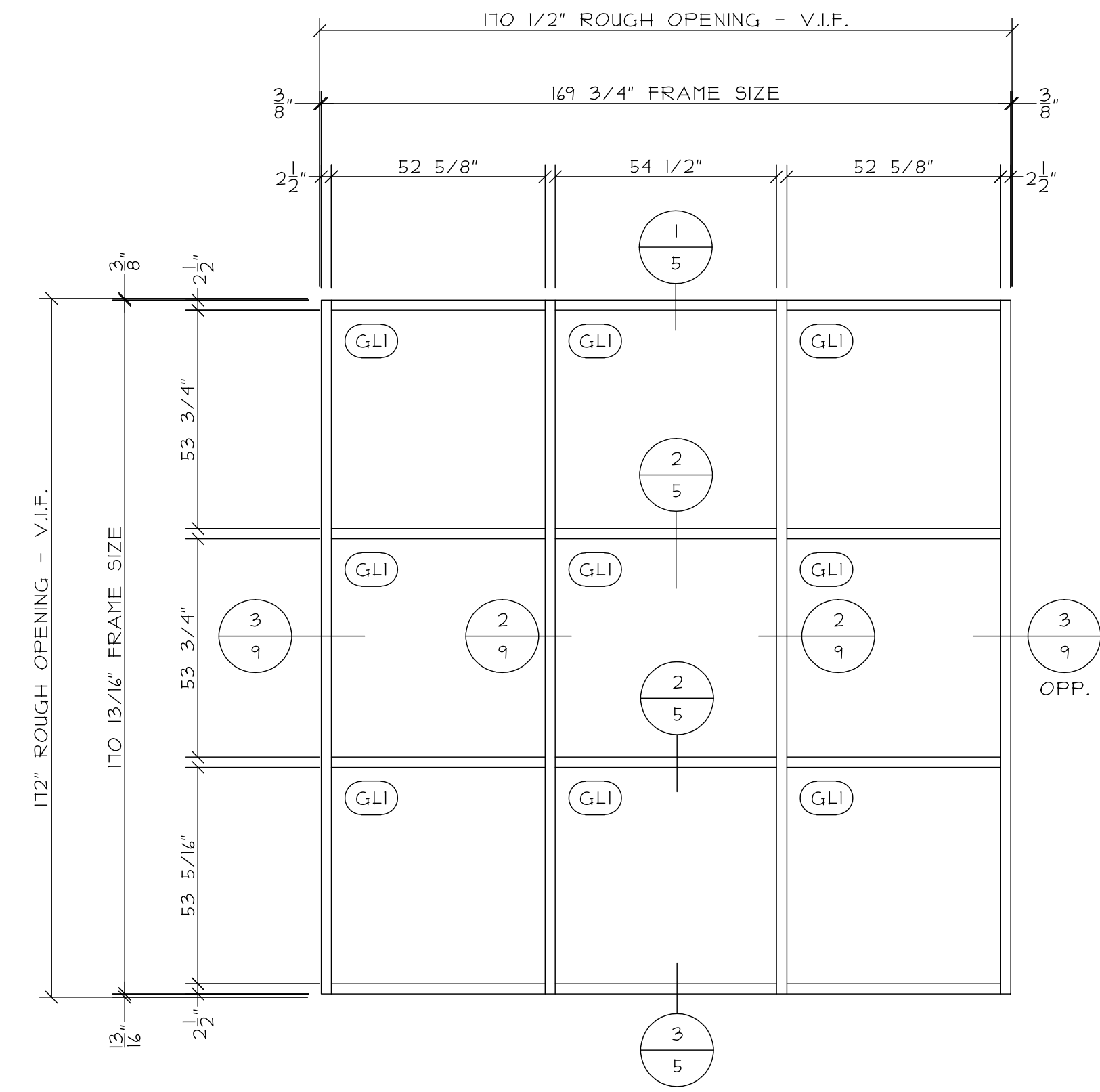
DATE:
SAMPLE

DRAWN:
SAMPLE

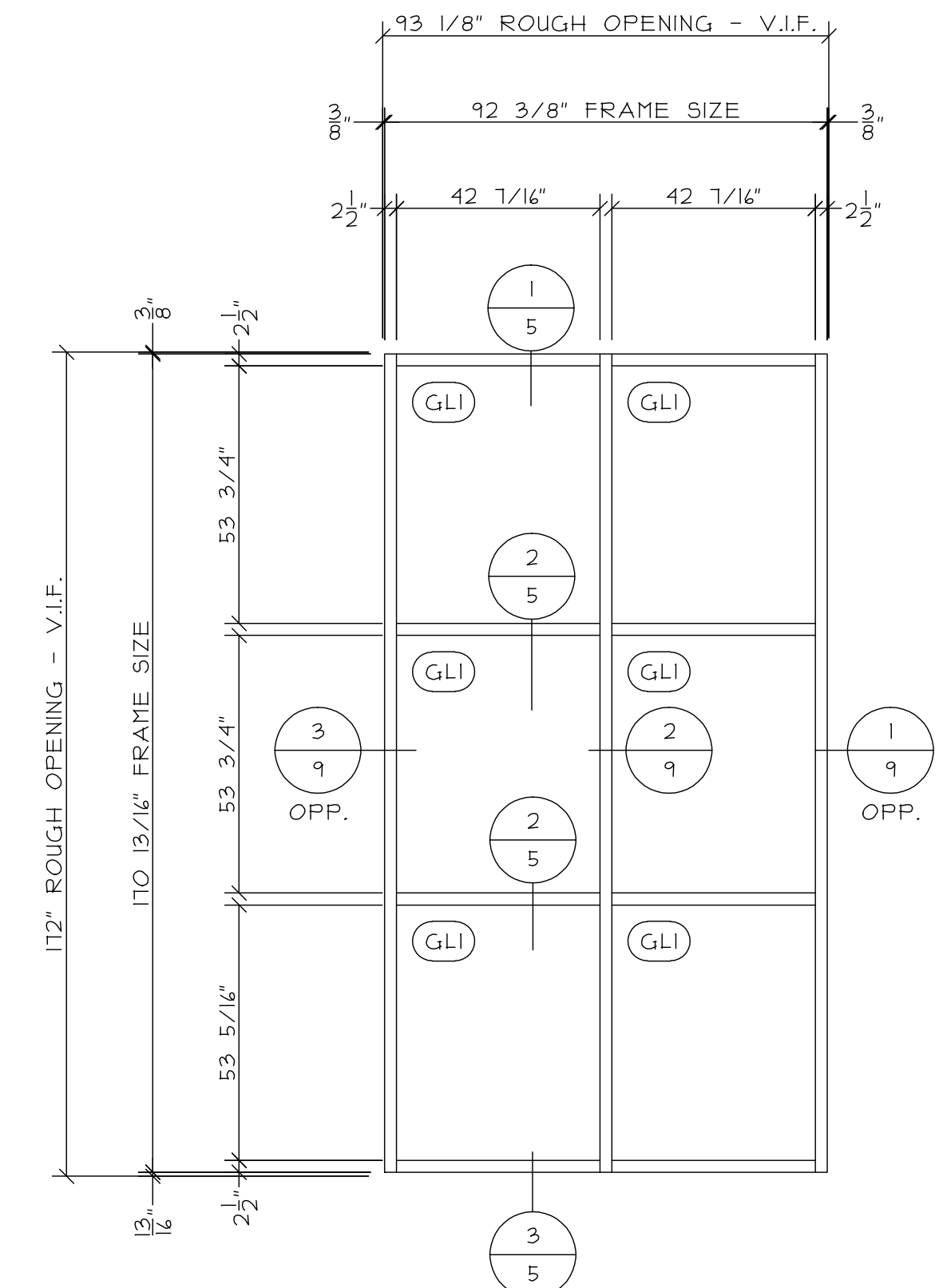
PAGE:
1 of 13



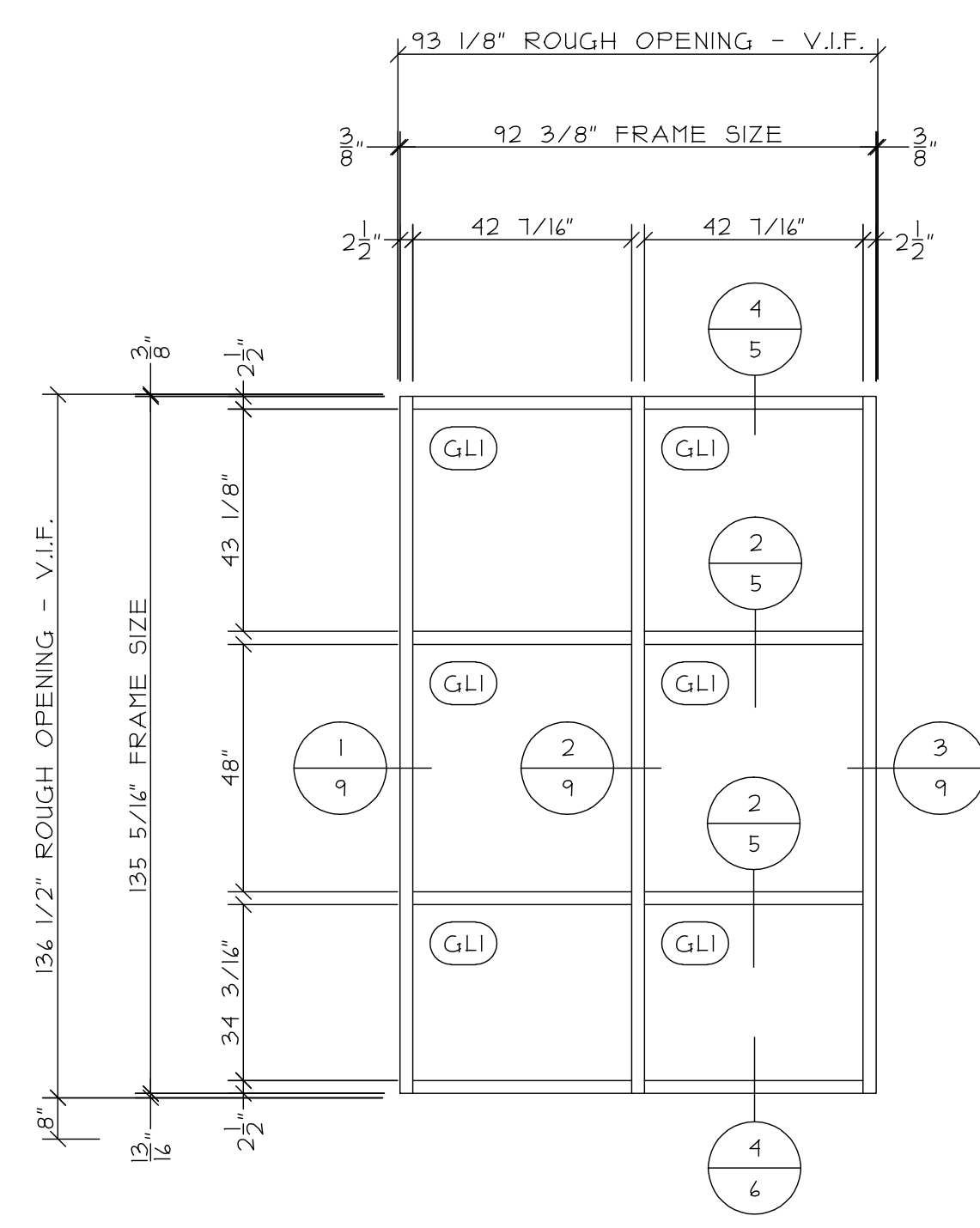
STOREFRONT "WOIC"
 1 TOTAL
 YKK - YHS 50 TU (2 1/2"x 5")



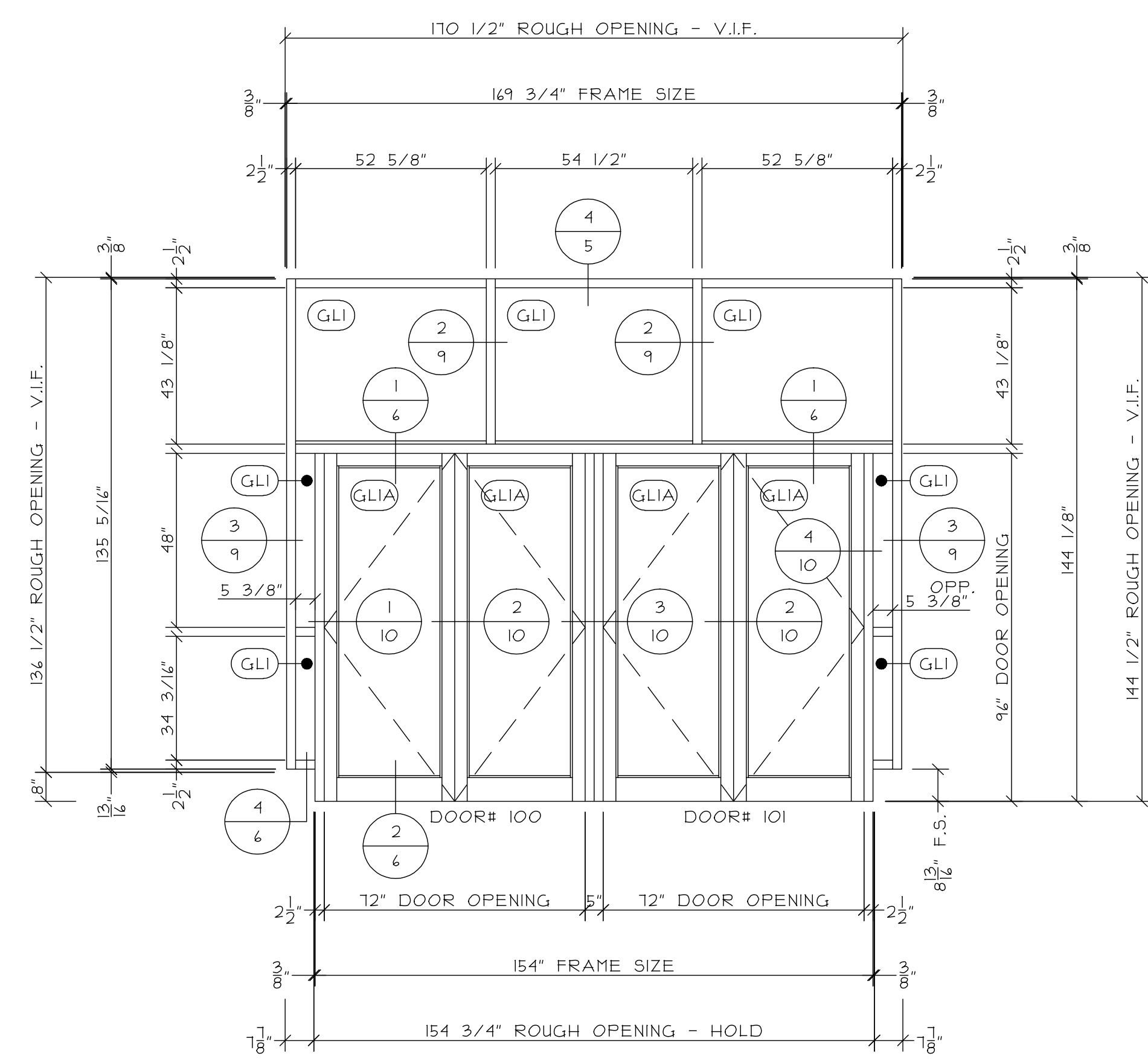
STOREFRONT "WOID"
 1 TOTAL
 YKK - YHS 50 TU (2 1/2"x 5")



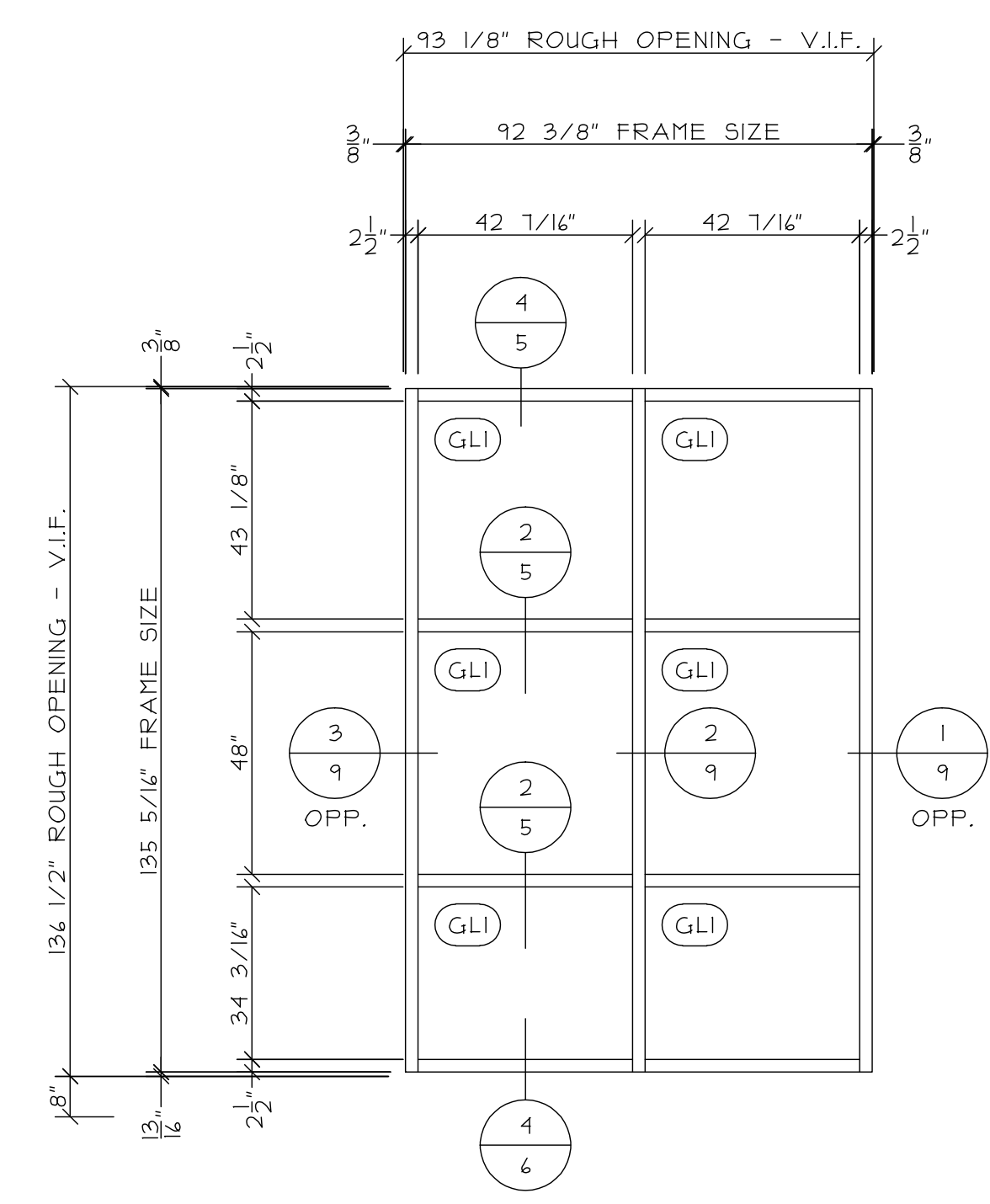
STOREFRONT "WOIE"
 1 TOTAL
 YKK - YHS 50 TU (2 1/2"x 5")



STOREFRONT "WOIA"
 1 TOTAL
 YKK - YHS 50 TU (2 1/2"x 5")



STOREFRONT "WOI"
 1 TOTAL
 YKK - YHS 50 TU (2 1/2"x 5")
 W/ 35H MEDIUM STILE DOORS
 DOOR# 100 - HW GROUP .00.4.335
 DOOR# 101 - HW GROUP .00.4.335



STOREFRONT "WOIB"
 1 TOTAL
 YKK - YHS 50 TU (2 1/2"x 5")

REVISIONS:

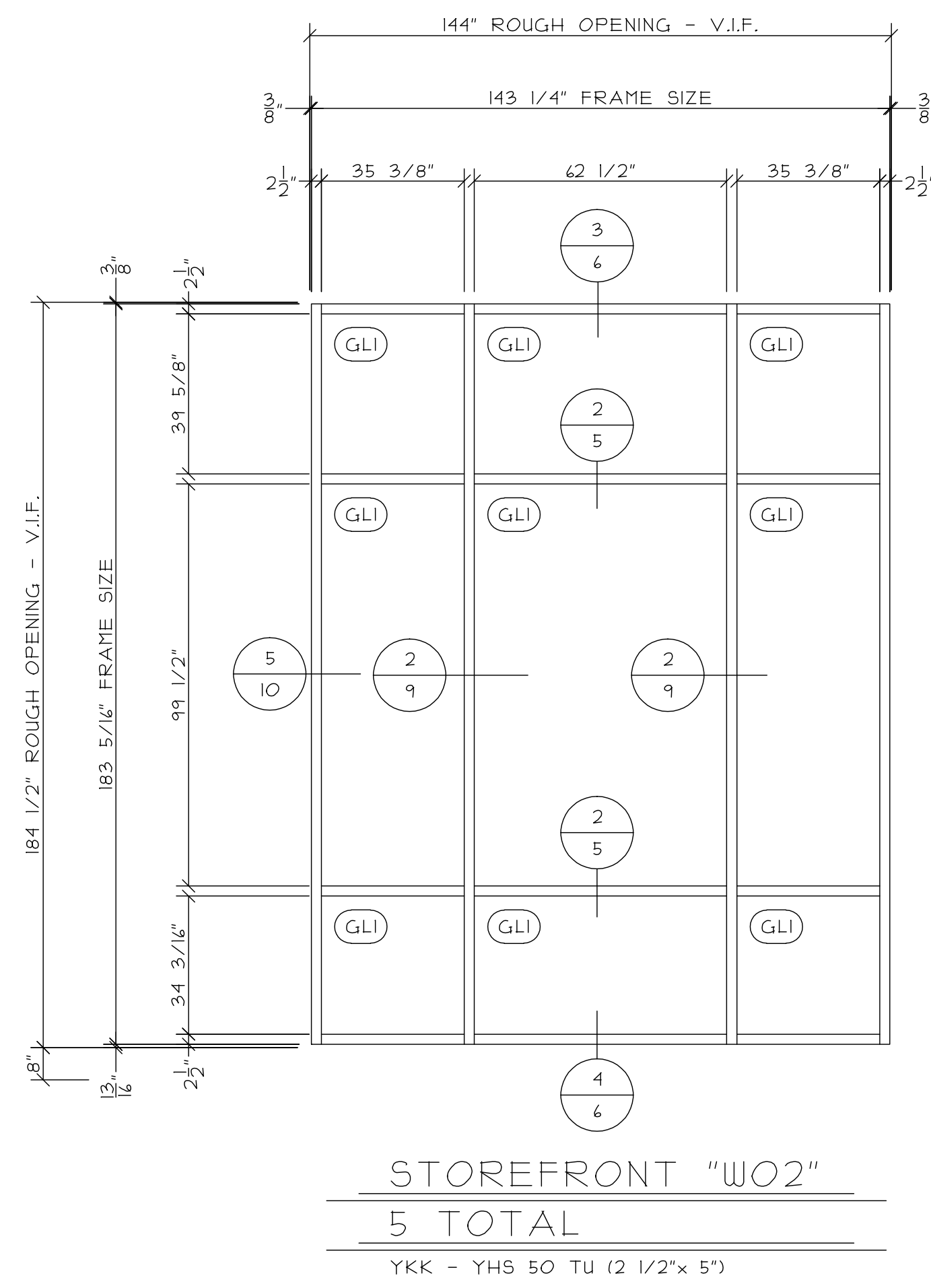
GLAZING CONTRACTOR:
 SAMPLE SAMPLE SAMPLE
 SAMPLE SAMPLE SAMPLE
 SAMPLE SAMPLE SAMPLE
 SAMPLE SAMPLE SAMPLE
 SAMPLE SAMPLE SAMPLE

ARCHITECT:
 SAMPLE SAMPLE SAMPLE
 SAMPLE SAMPLE SAMPLE
 SAMPLE SAMPLE SAMPLE
 SAMPLE SAMPLE SAMPLE
 SAMPLE SAMPLE SAMPLE

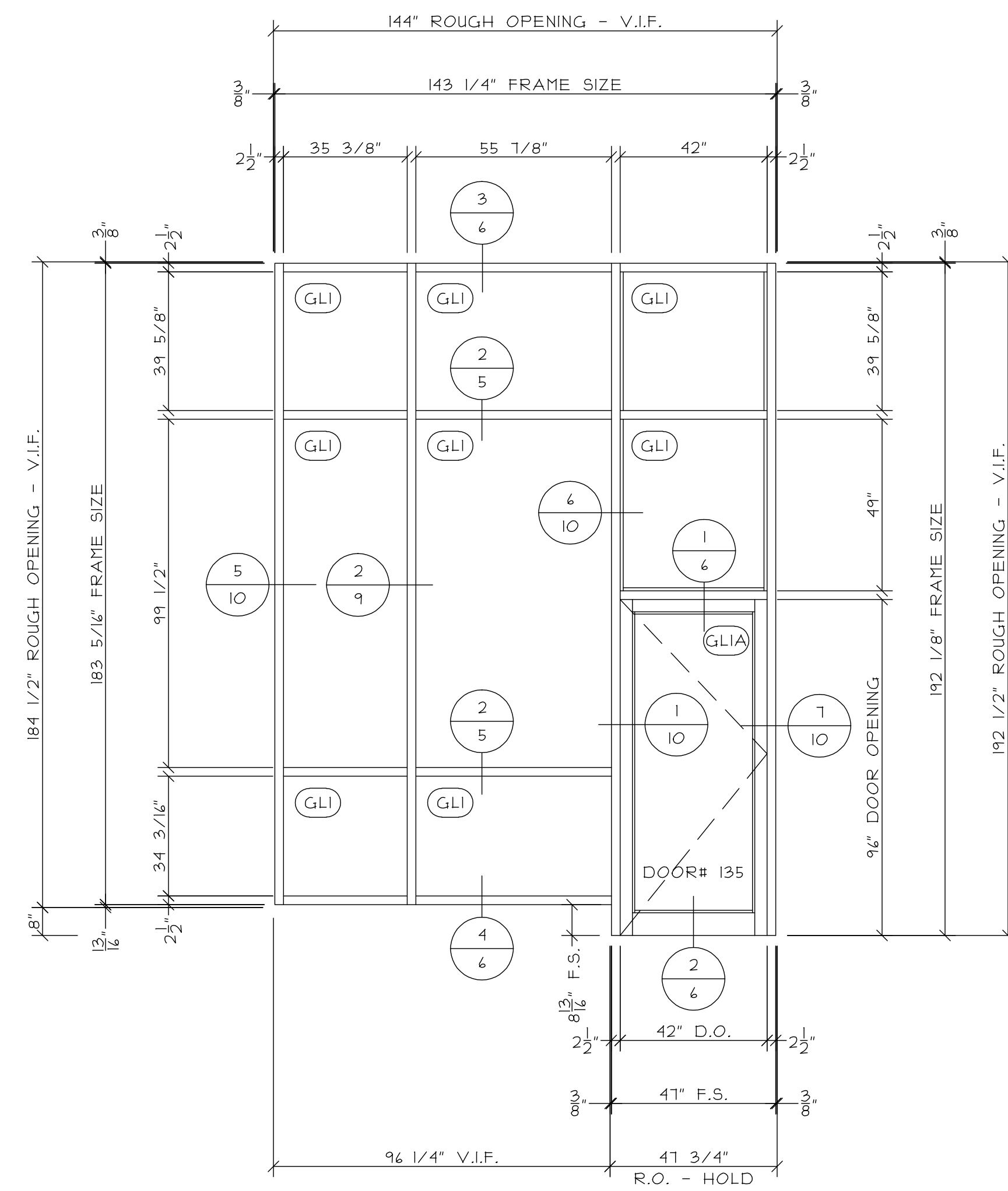
PROJECT: SAMPLE SAMPLE SAMPLE
 LOCATION: SAMPLE SAMPLE SAMPLE

SCALE:
 3/8" = 1'-0"
 DATE:
 SAMPLE
 DRAWN:
 SAMPLE
 PAGE:
 2 of 13

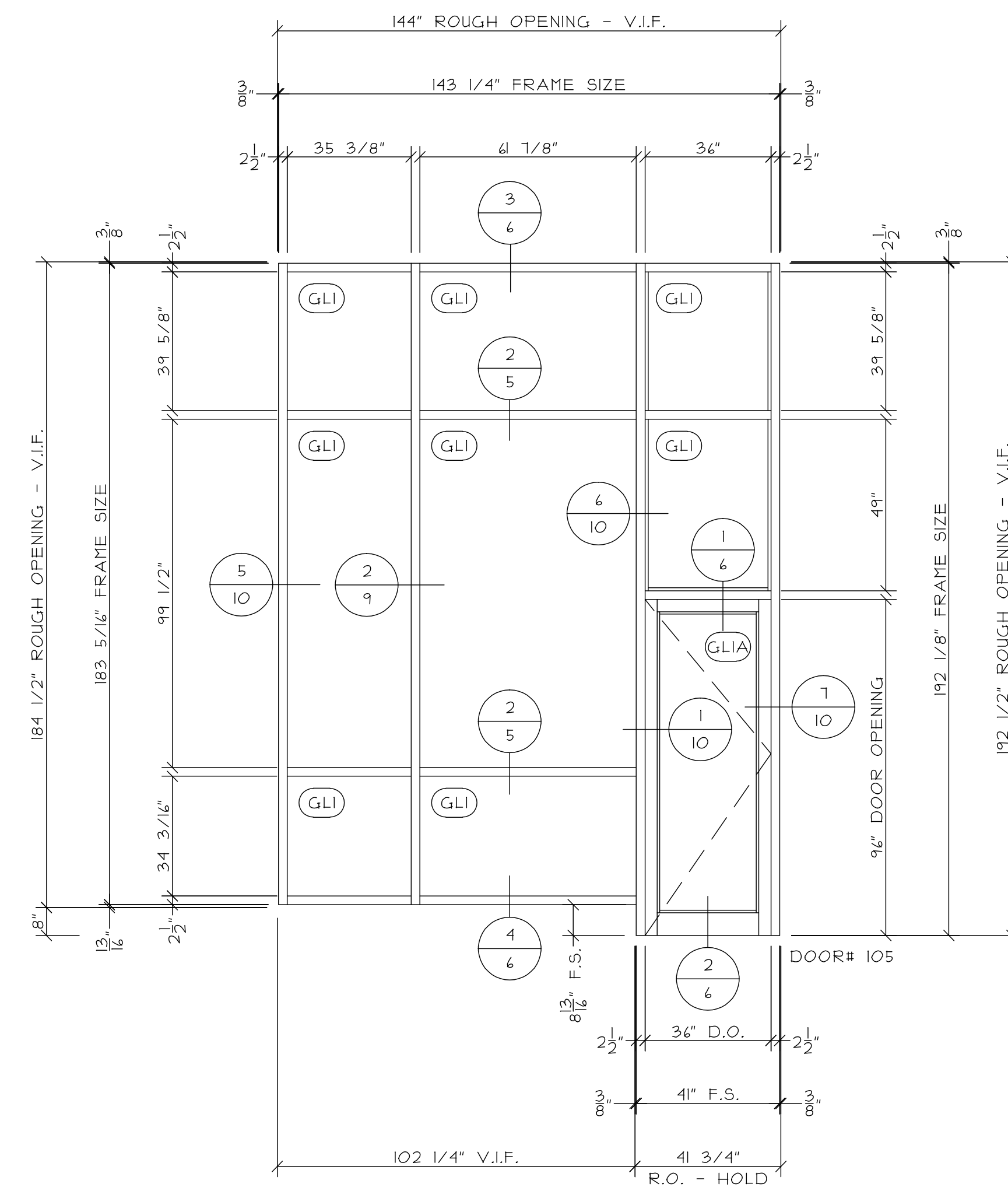
DATE:



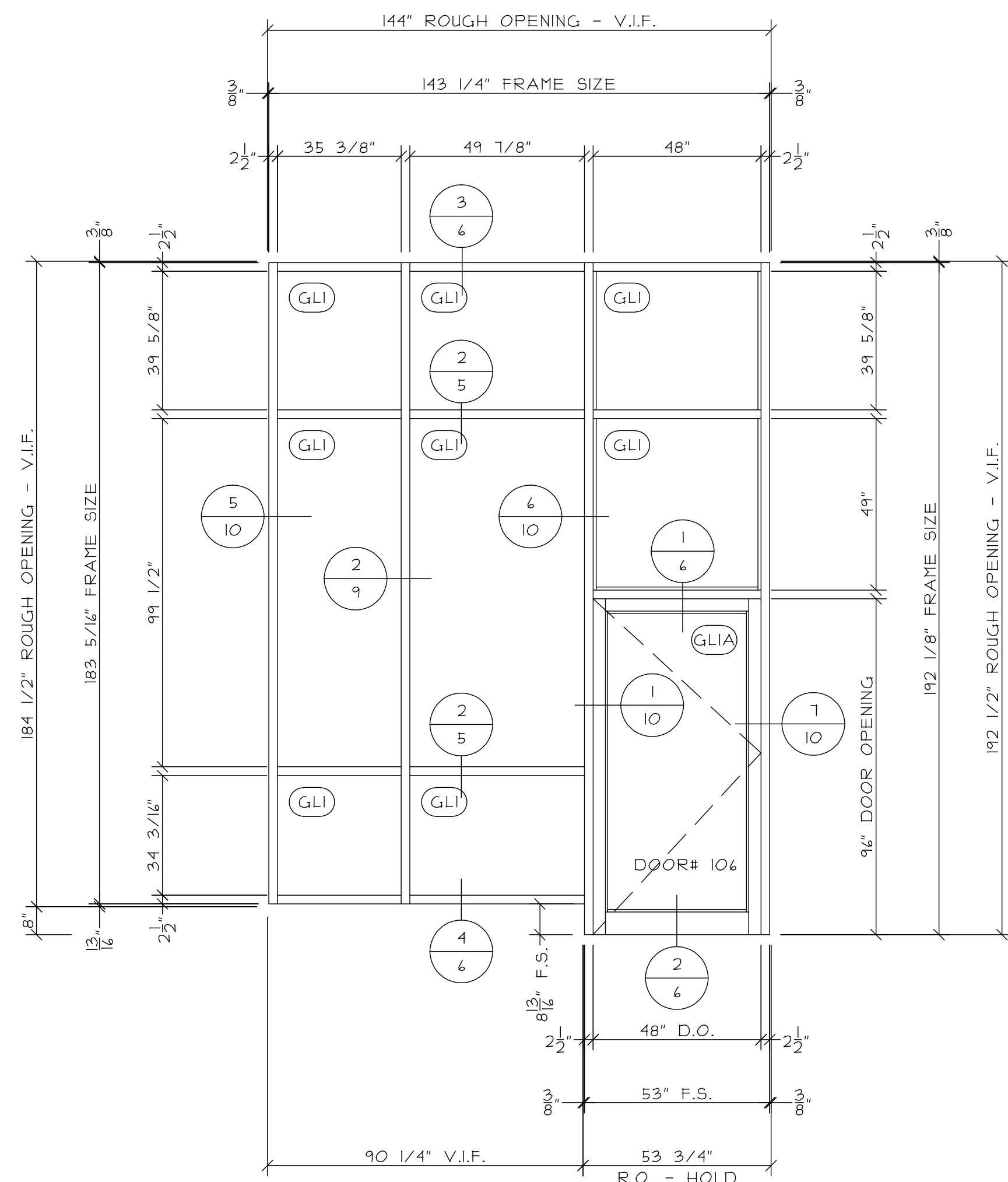
STOREFRONT "WO2"
5 TOTAL
YKK - YHS 50 TU (2 1/2"x 5")



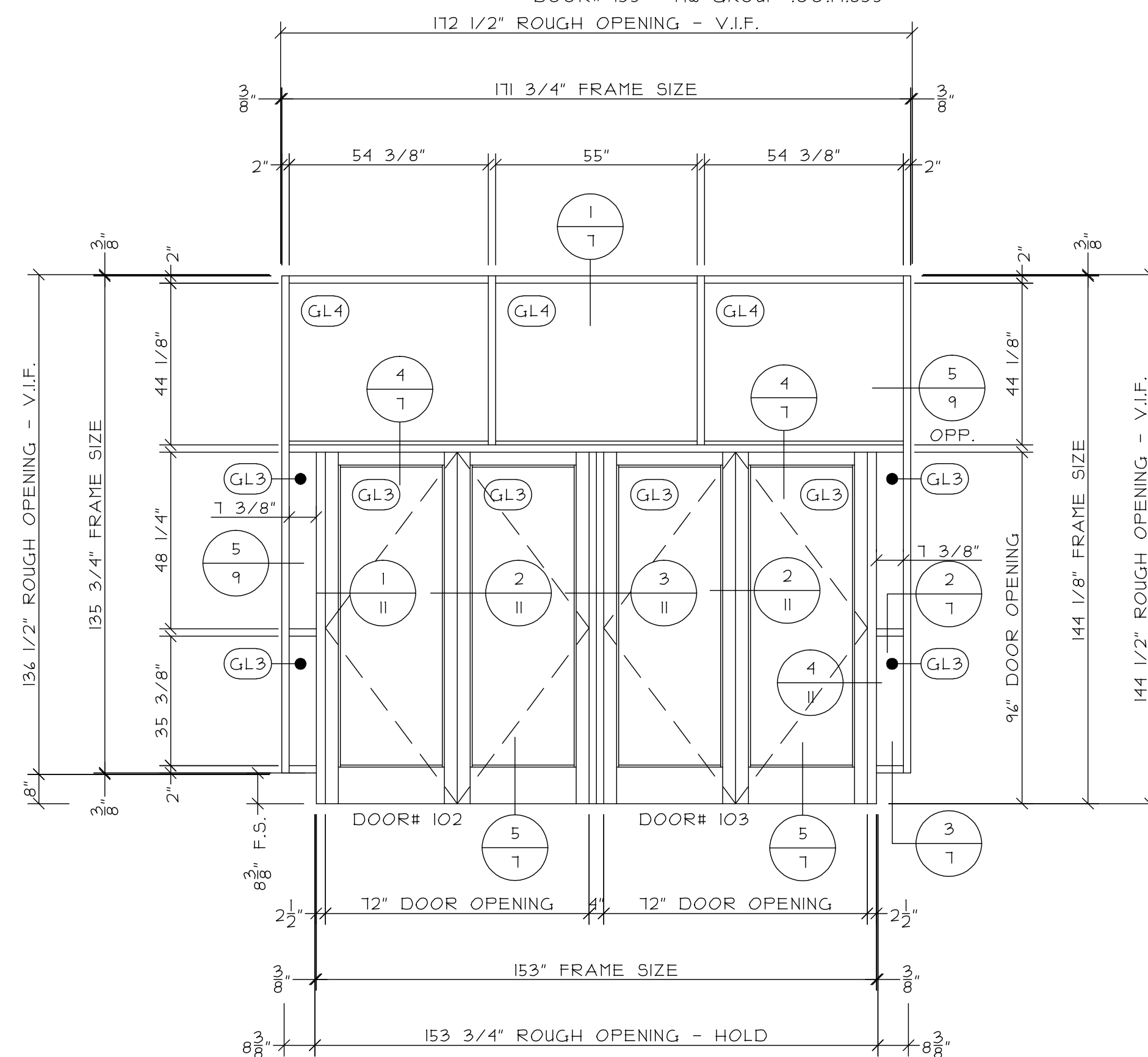
STOREFRONT "WO3"
1 TOTAL
YKK - YHS 50 TU (2 1/2"x 5")
W/ 35H MEDIUM STILE DOOR
DOOR# 135 - HW GROUP .00.19.835



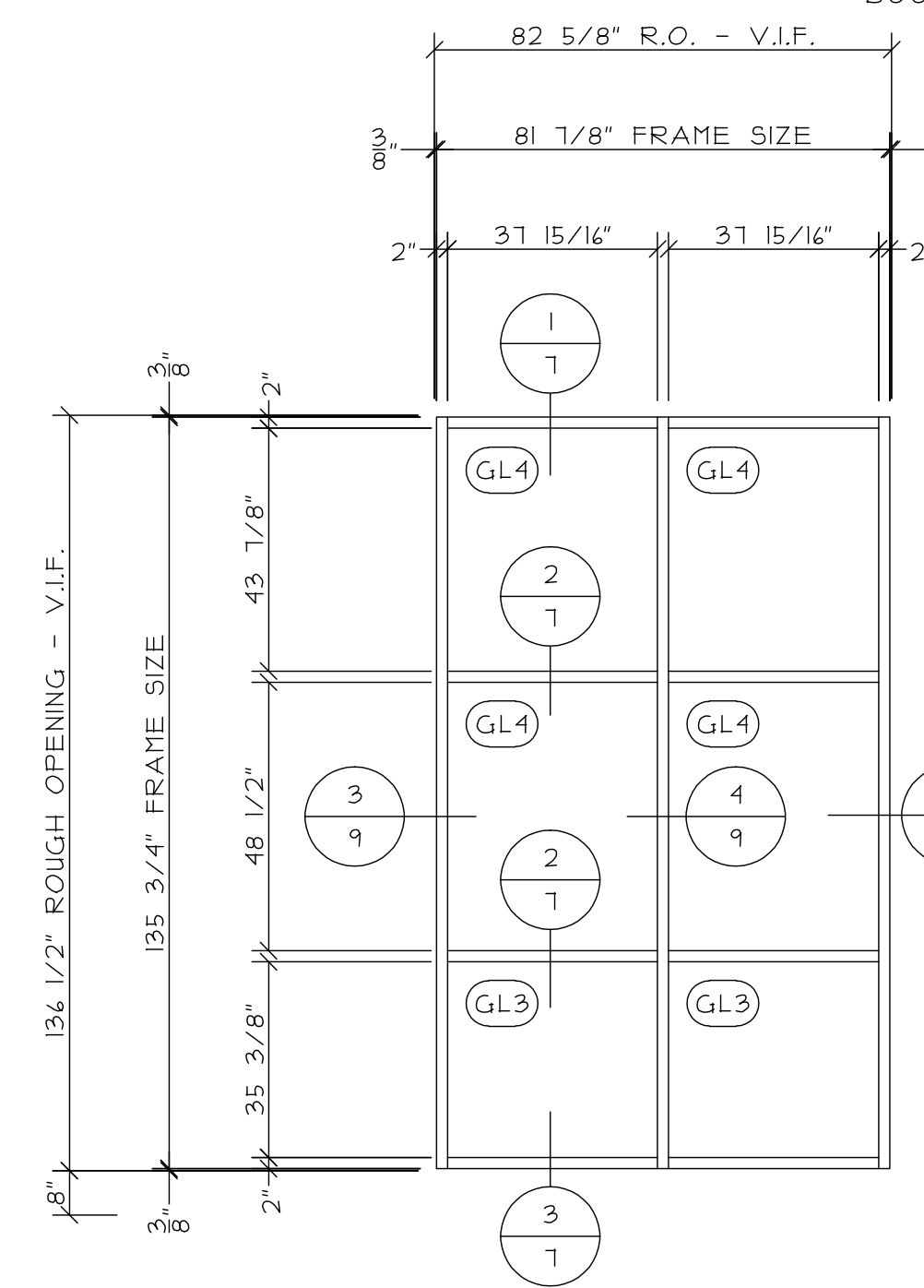
STOREFRONT "WO4"
1 TOTAL
YKK - YHS 50 TU (2 1/2"x 5")
W/ 35H MEDIUM STILE DOOR
DOOR# 105 - HW GROUP .00.19.835



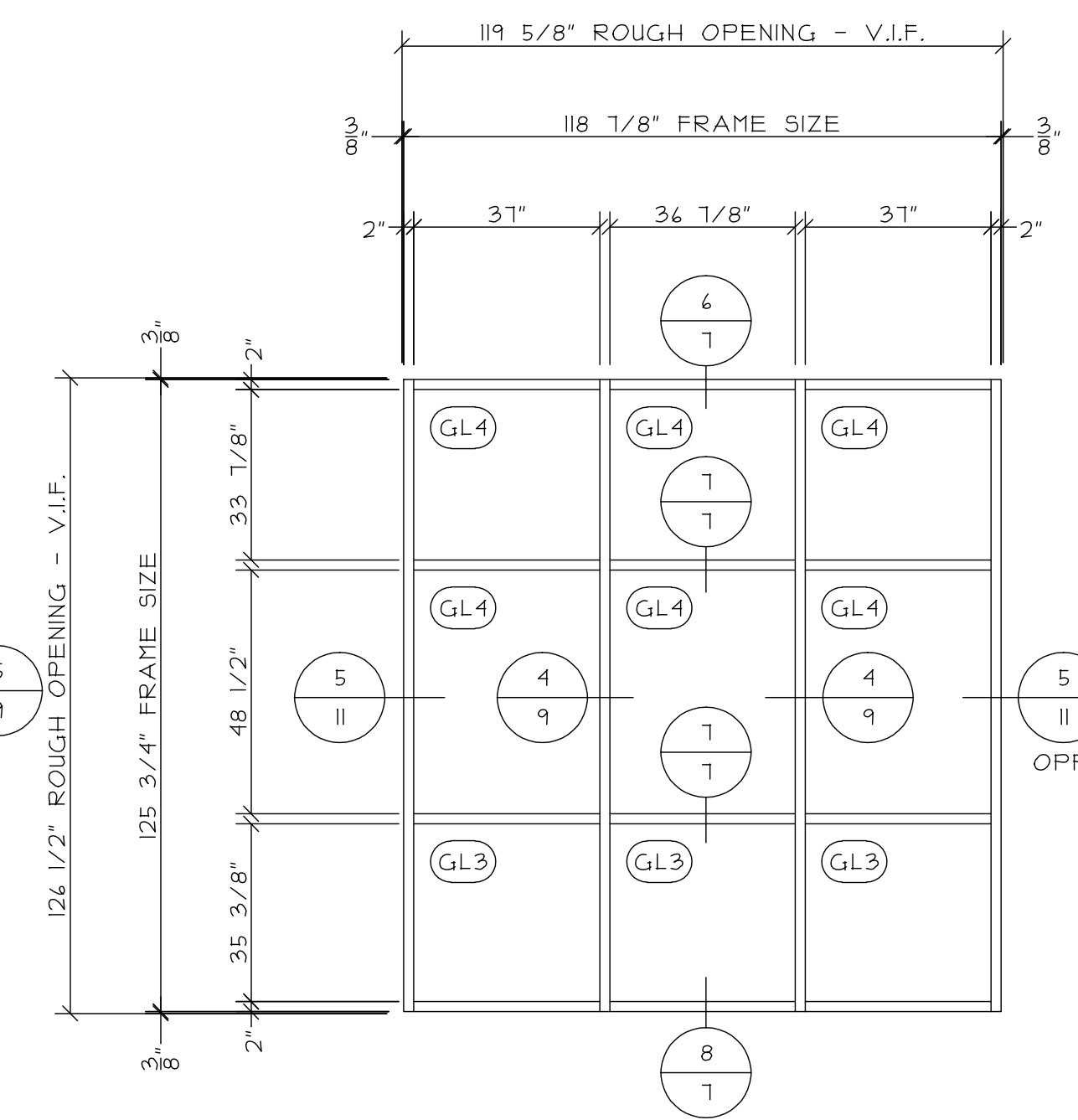
STOREFRONT "WO5"
1 TOTAL
YKK - YHS 50 TU (2 1/2"x 5")
W/ 35H MEDIUM STILE DOOR
DOOR# 106 - HW GROUP .00.19.835



STOREFRONT "WO6"
1 TOTAL
YKK - YES 45 TU (2"x 4 1/2")
W/ 35D MEDIUM STILE DOORS
DOOR# 102 - HW GROUP .36.95.135
DOOR# 103 - HW GROUP .36.95.135



STOREFRONT "WO7"
1 TOTAL & 1 OPPOSITE
YKK - YES 45 TU (2"x 4 1/2")
W/ 35D MEDIUM STILE DOORS



STOREFRONT "WO8"
3 TOTAL
YKK - YES 45 TU (2"x 4 1/2")

REVISIONS:

GLAZING CONTRACTOR:

SAMPLE	SAMPLE	SAMPLE
SAMPLE	SAMPLE	SAMPLE
SAMPLE	SAMPLE	SAMPLE
SAMPLE	SAMPLE	SAMPLE
SAMPLE	SAMPLE	SAMPLE

ARCHITECT:

SAMPLE	SAMPLE	SAMPLE
SAMPLE	SAMPLE	SAMPLE
SAMPLE	SAMPLE	SAMPLE
SAMPLE	SAMPLE	SAMPLE
SAMPLE	SAMPLE	SAMPLE

PROJECT: SAMPLE SAMPLE SAMPLE

LOCATION: SAMPLE SAMPLE SAMPLE

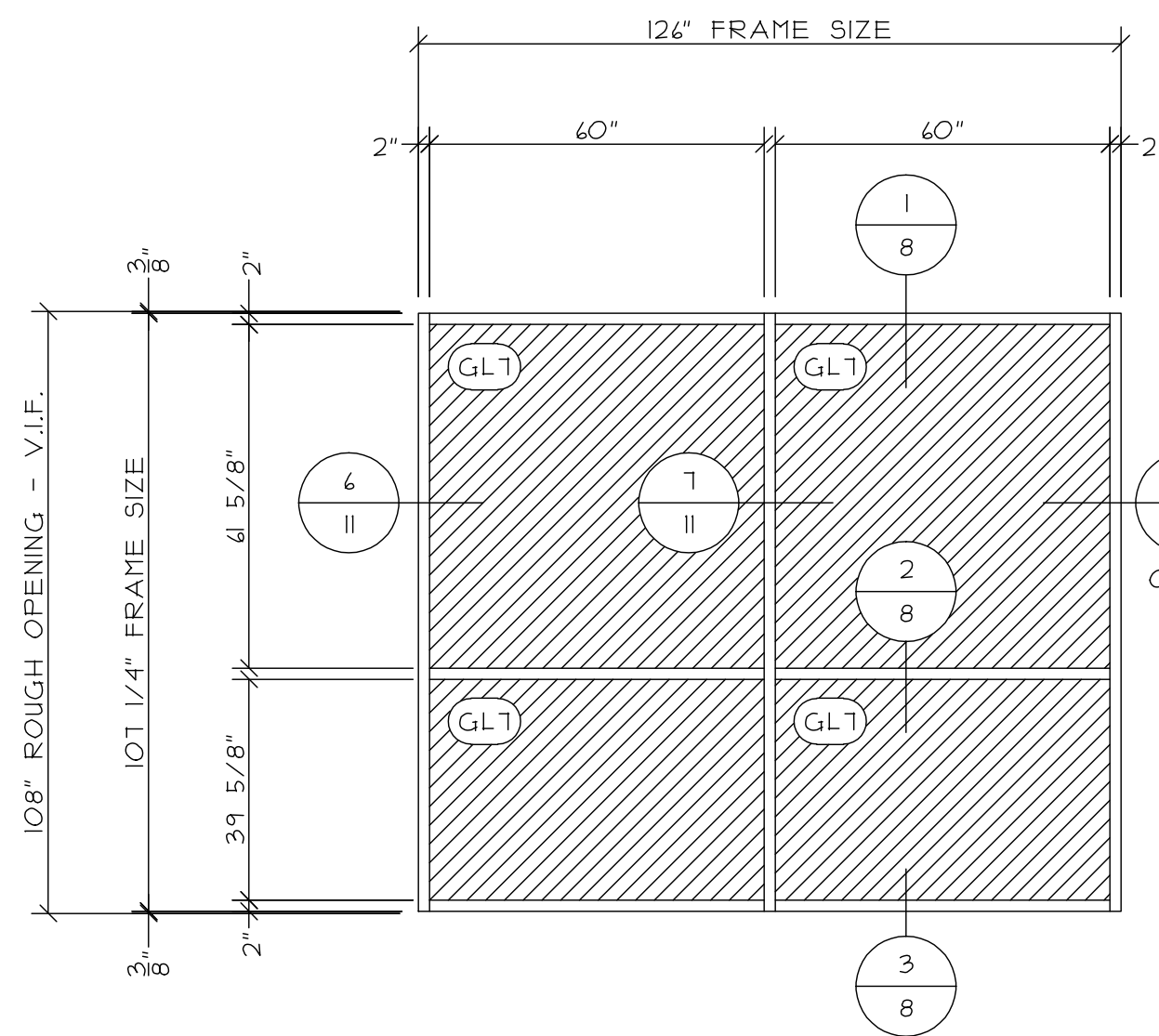
SCALE:
3/8" = 1'-0"

DATE:
SAMPLE

DRAWN:
SAMPLE

PAGE:
3 of 13

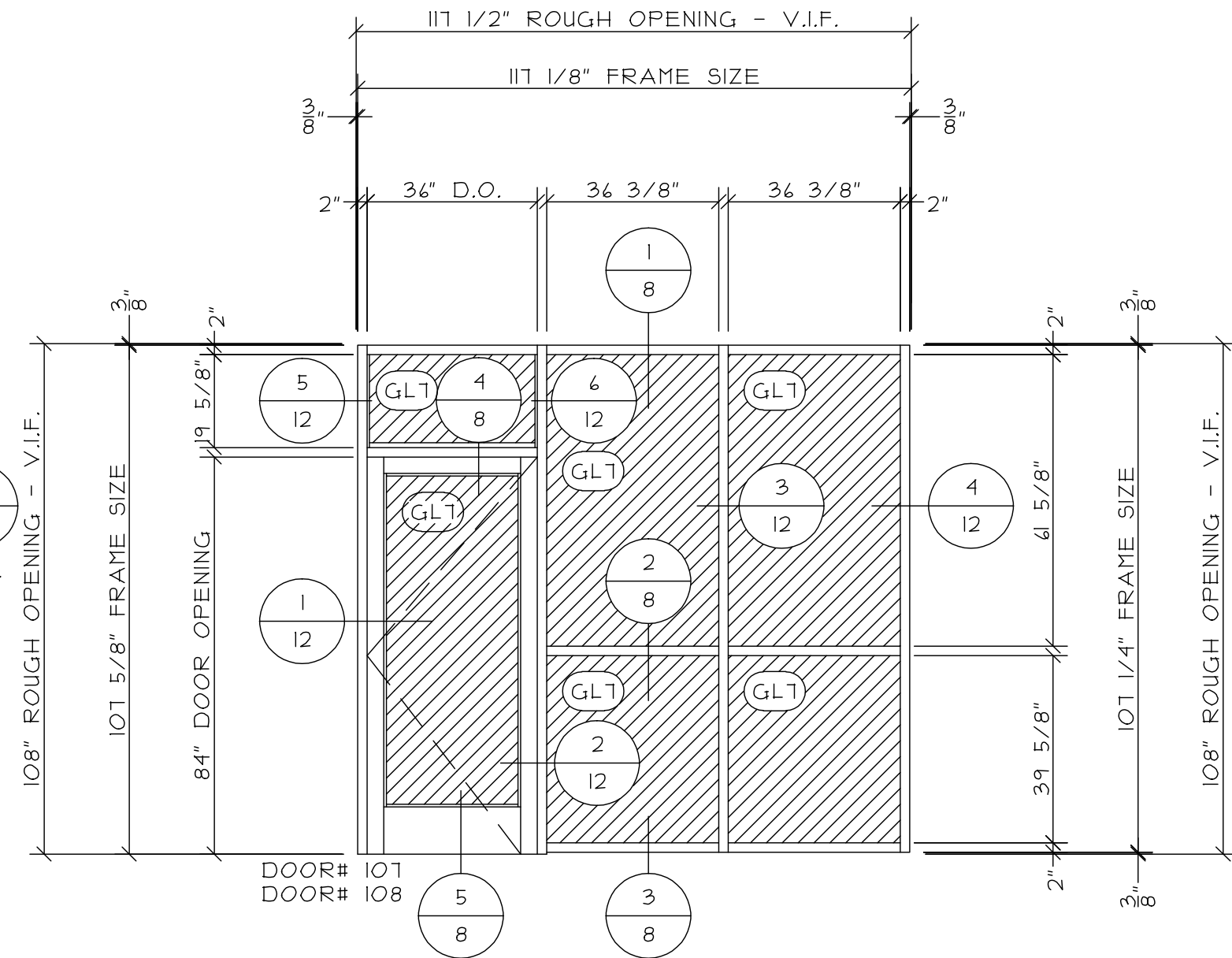
DATE:



STOREFRONT "W09"

1 TOTAL

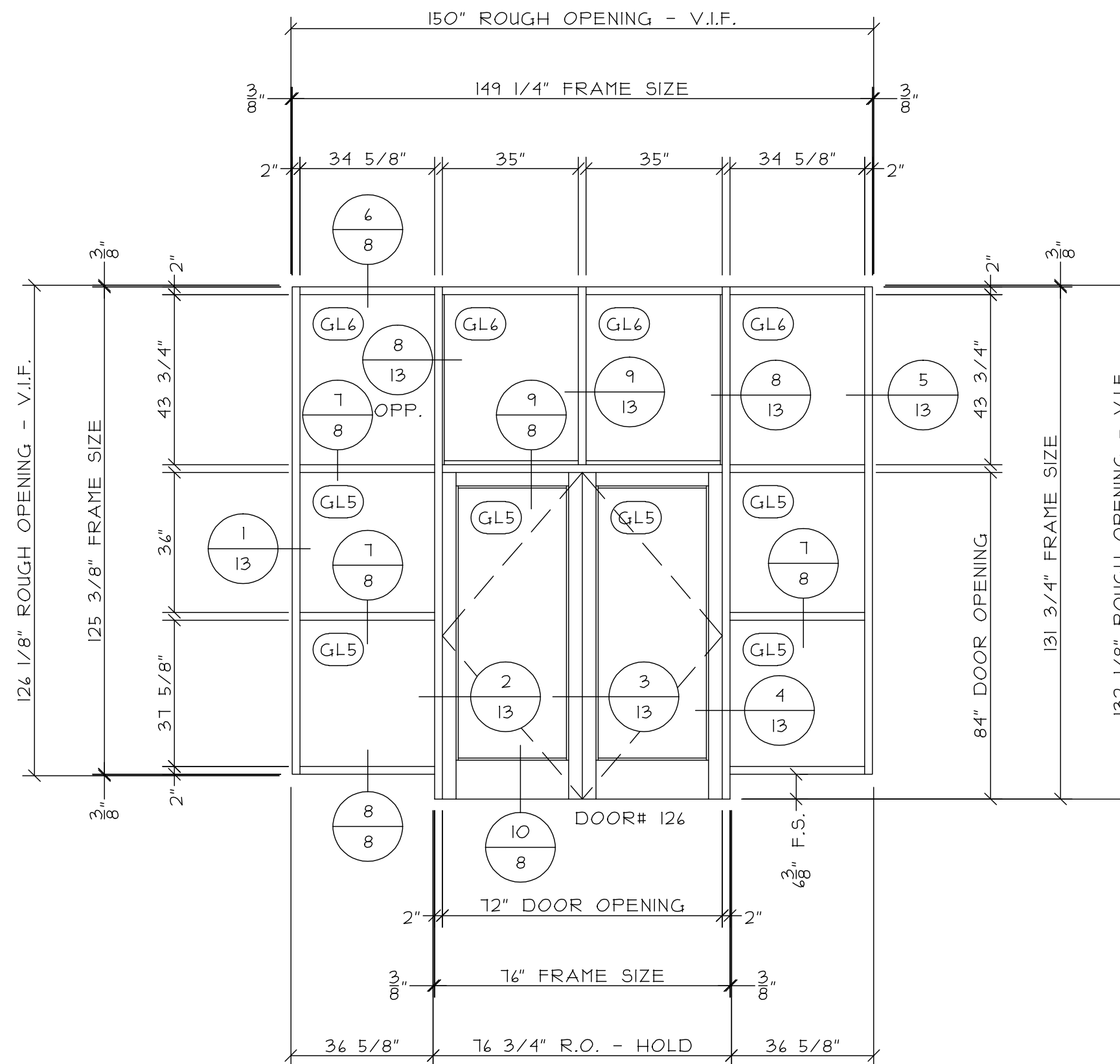
YKK - YES 45 FI (2'x 4 1/2')



STOREFRONT "W11"

1 TOTAL & 1 OPPOSITE

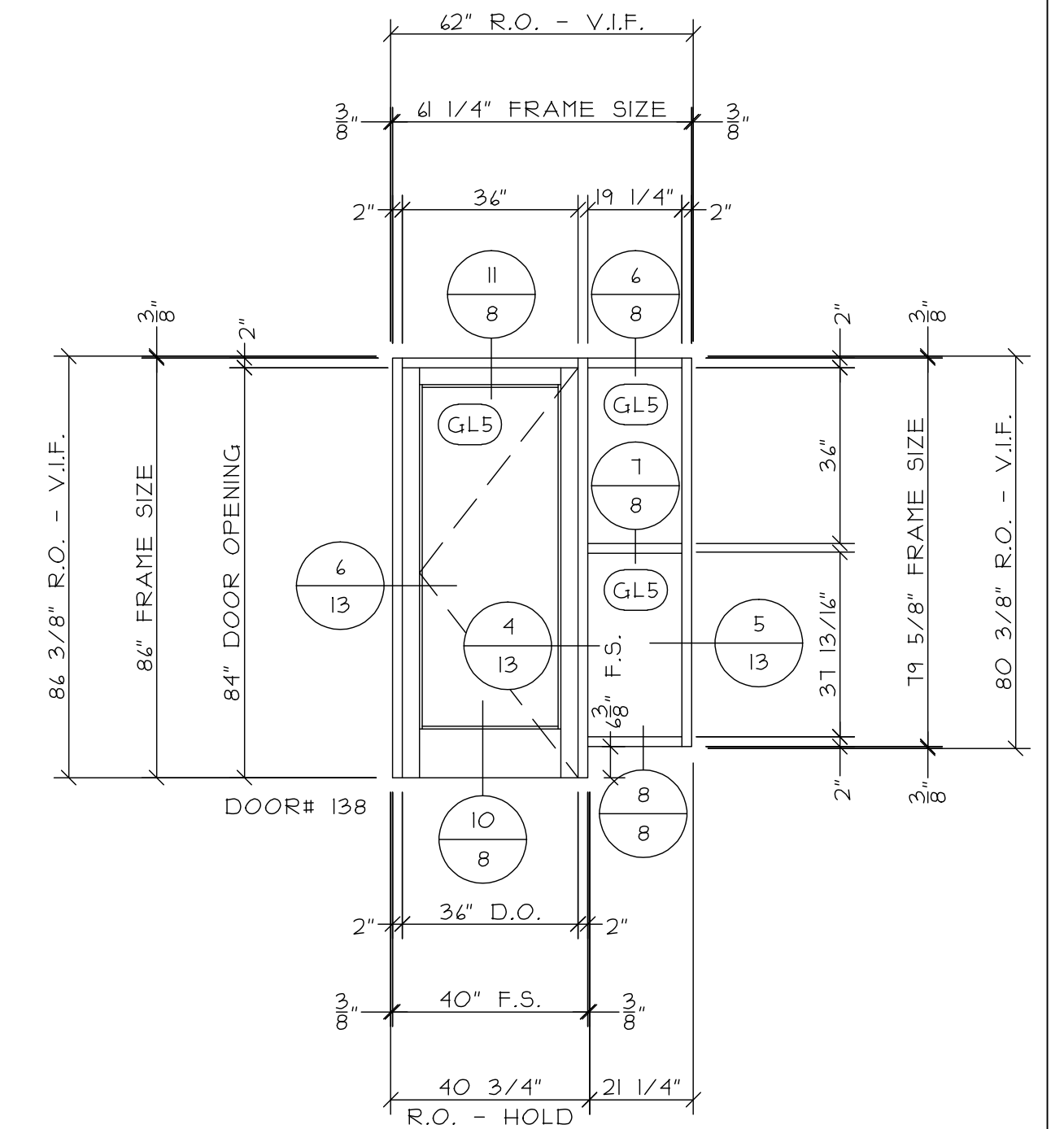
YKK - YES 45 FI (2'x 4 1/2')
 W/ 35D MEDIUM STILE DOOR
 DOOR# 101 - HW GROUP .31.95.631. (AS SHOWN)
 DOOR# 108 - HW GROUP .31.95.631. (OPPOSITE AS SHOWN)



STOREFRONT "W14"

1 TOTAL

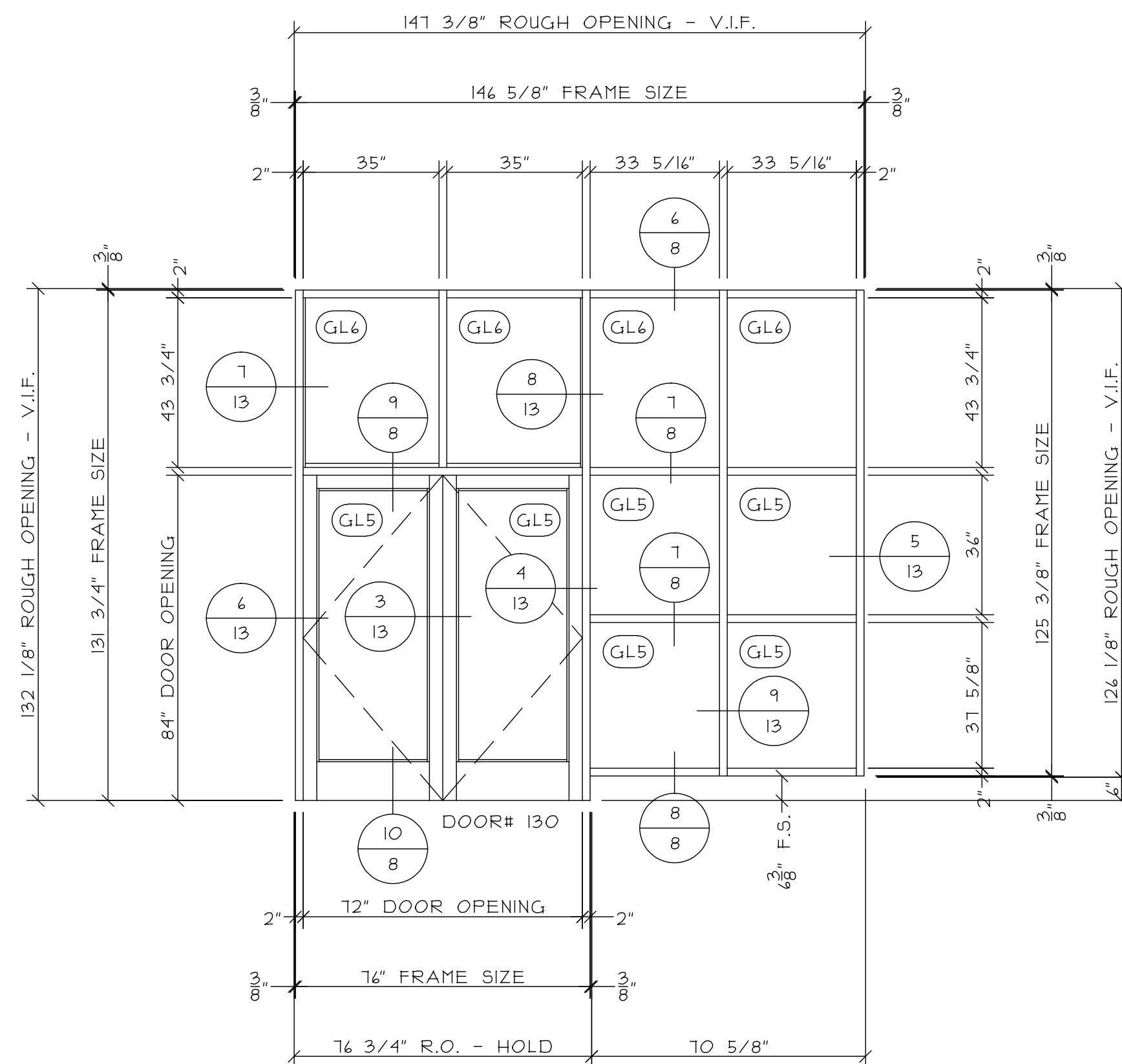
YKK - YES 45 FI (2'x 4 1/2')
 W/ 35D MEDIUM STILE DOORS
 DOOR# 126 - HW GROUP .31.95.130



STOREFRONT "W18"

1 TOTAL

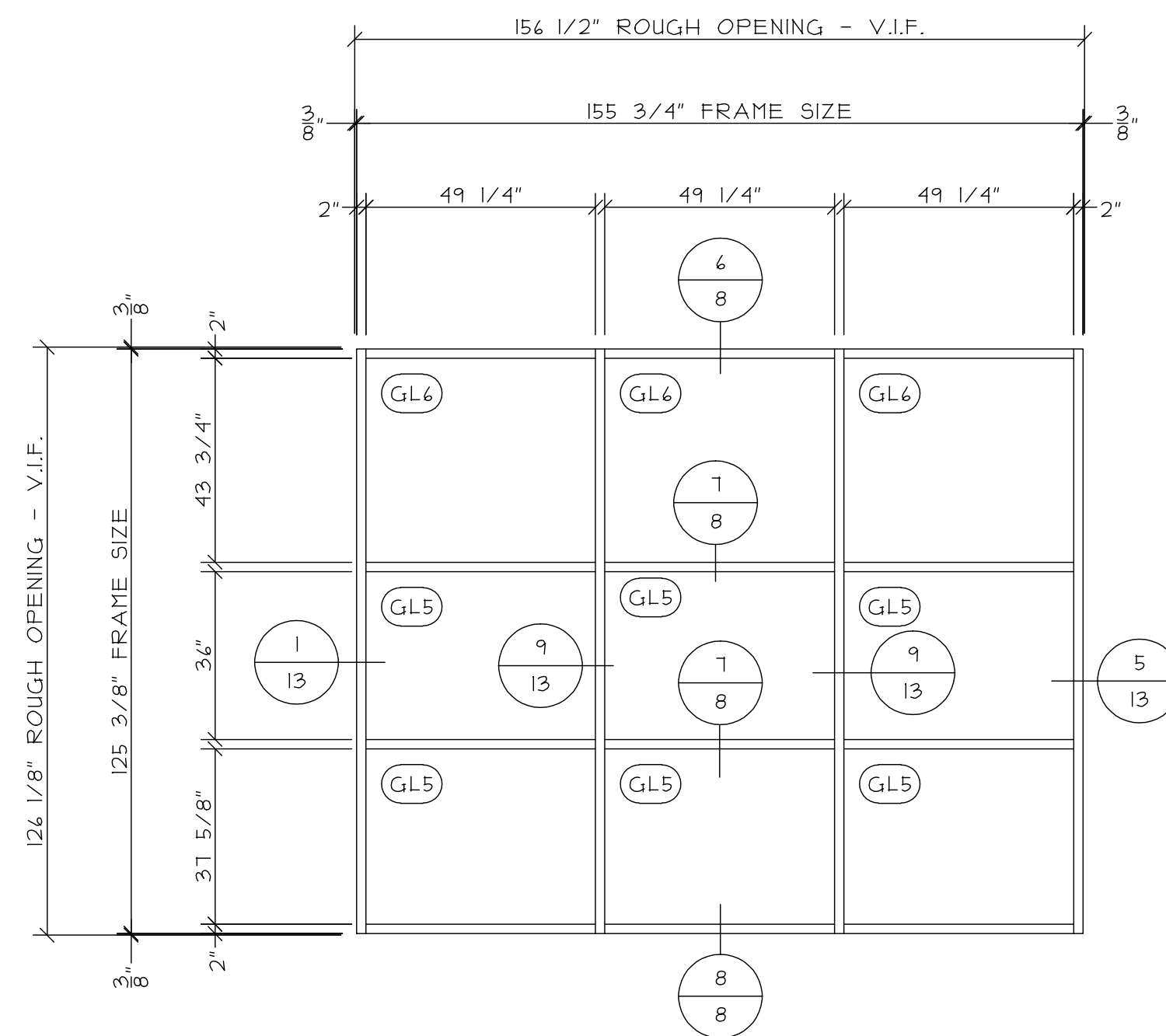
YKK - YES 45 FI (2'x 4 1/2')
 W/ 35D MEDIUM STILE DOOR
 DOOR# 138 - HW GROUP .31.95.630



STOREFRONT "W15"

1 TOTAL

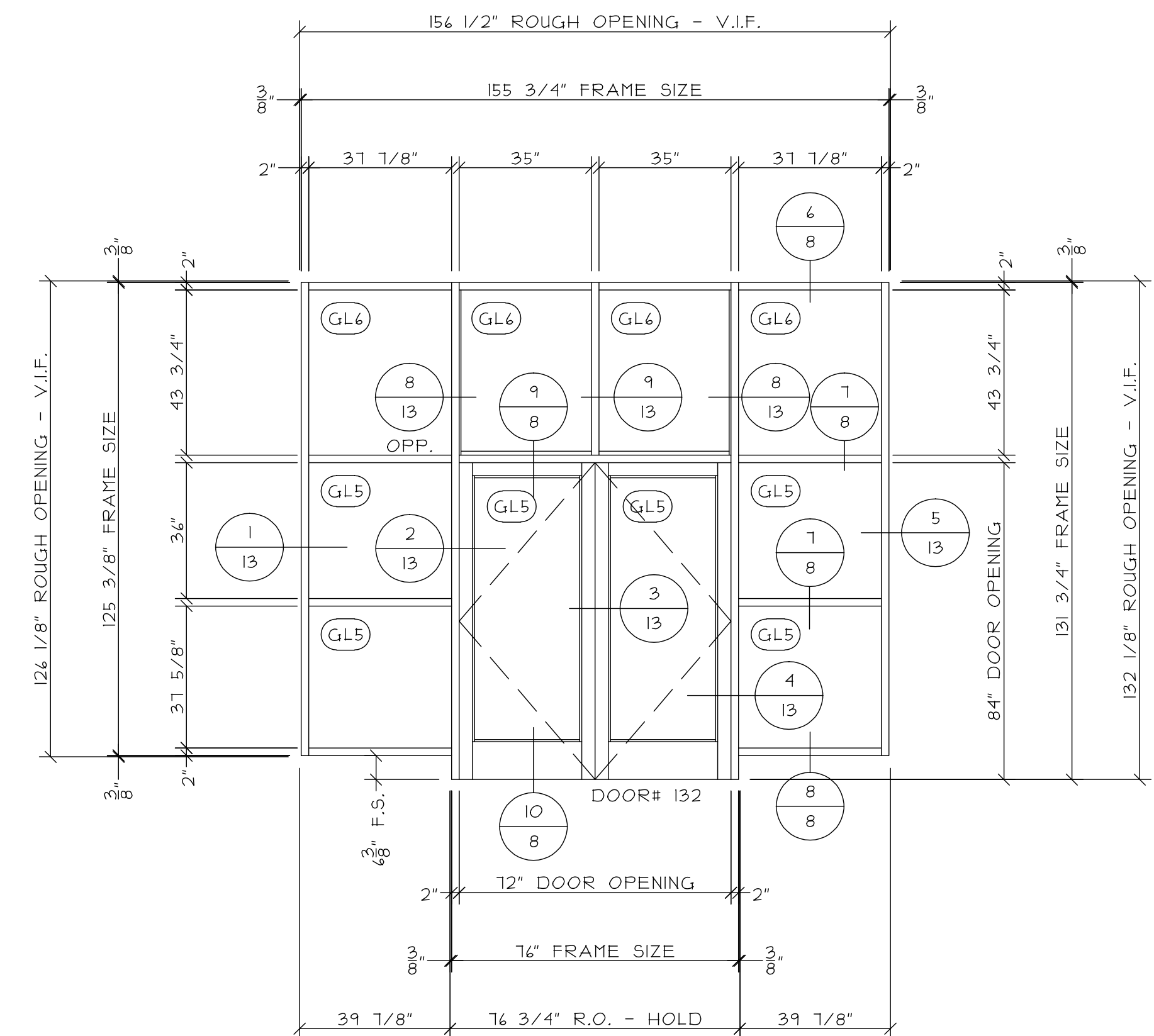
YKK - YES 45 FI (2'x 4 1/2')
 W/ 35D MEDIUM STILE DOORS
 DOOR# 130 - HW GROUP .31.95.130



STOREFRONT "W16"

2 TOTAL

YKK - YES 45 FI (2'x 4 1/2')



STOREFRONT "W17"

1 TOTAL

YKK - YES 45 FI (2'x 4 1/2')
 W/ 35D MEDIUM STILE DOORS
 DOOR# 132 - HW GROUP .31.95.130

REVISIONS:

ARCHITECT:	SAMPLE SAMPLE SAMPLE
GLAZING CONTRACTOR:	SAMPLE SAMPLE SAMPLE
PROJECT:	SAMPLE SAMPLE SAMPLE
LOCATION:	SAMPLE SAMPLE SAMPLE

ARCHITECT:	SAMPLE SAMPLE SAMPLE
GLAZING CONTRACTOR:	SAMPLE SAMPLE SAMPLE
PROJECT:	SAMPLE SAMPLE SAMPLE
LOCATION:	SAMPLE SAMPLE SAMPLE

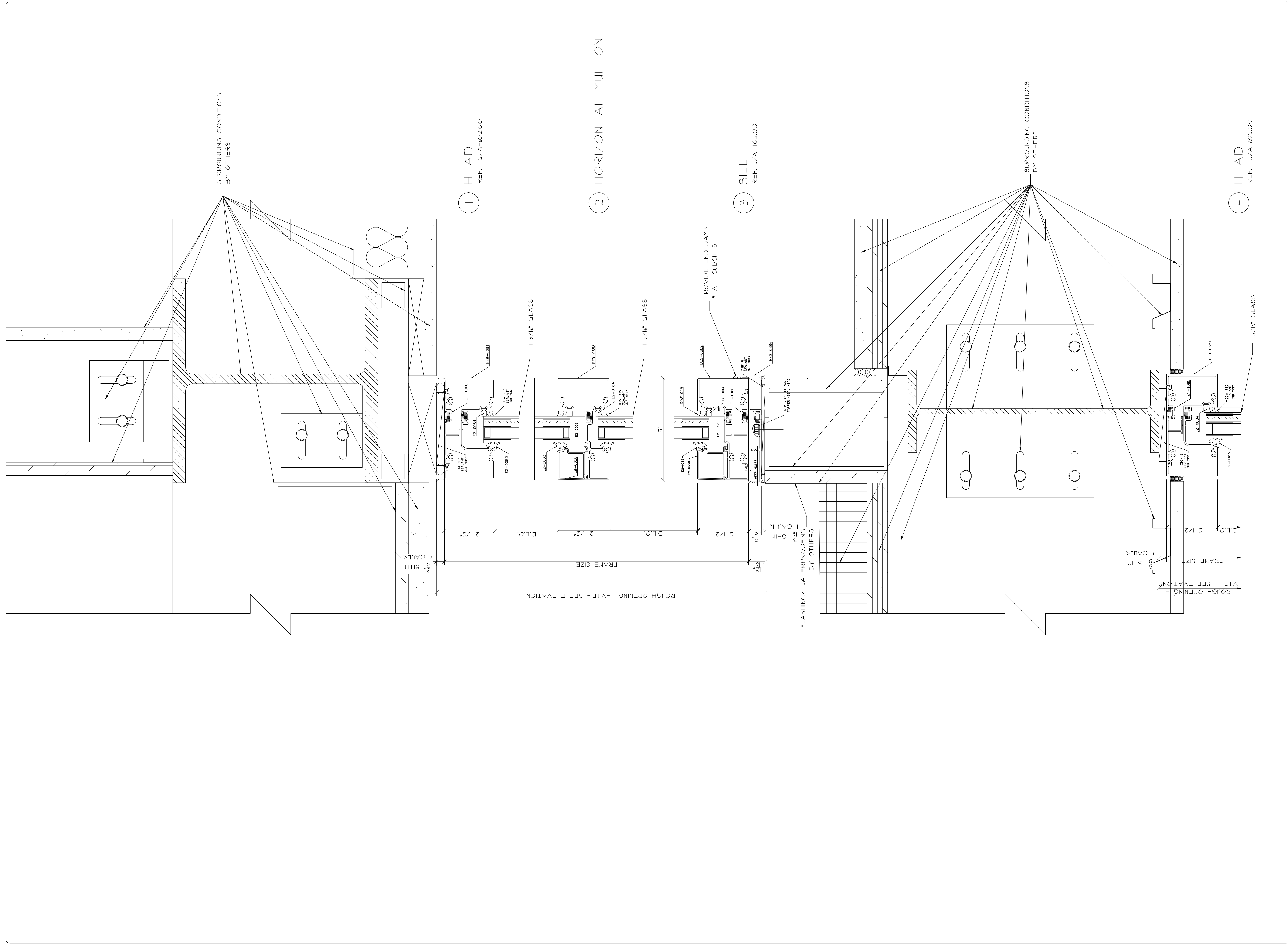
SCALE:
3/8" = 1'-0"

DATE:
SAMPLE

DRAWN:
SAMPLE

PAGE:
4 of 13

DATE:



REVISIONS:

	DATE:

GLAZING CONTRACTOR:

SAMPLE	SAMPLE	SAMPLE
SAMPLE	SAMPLE	SAMPLE
SAMPLE	SAMPLE	SAMPLE
SAMPLE	SAMPLE	SAMPLE
SAMPLE	SAMPLE	SAMPLE

ARCHITECT:

SAMPLE	SAMPLE	SAMPLE
SAMPLE	SAMPLE	SAMPLE
SAMPLE	SAMPLE	SAMPLE
SAMPLE	SAMPLE	SAMPLE
SAMPLE	SAMPLE	SAMPLE

PROJECT: SAMPLE SAMPLE SAMPLE

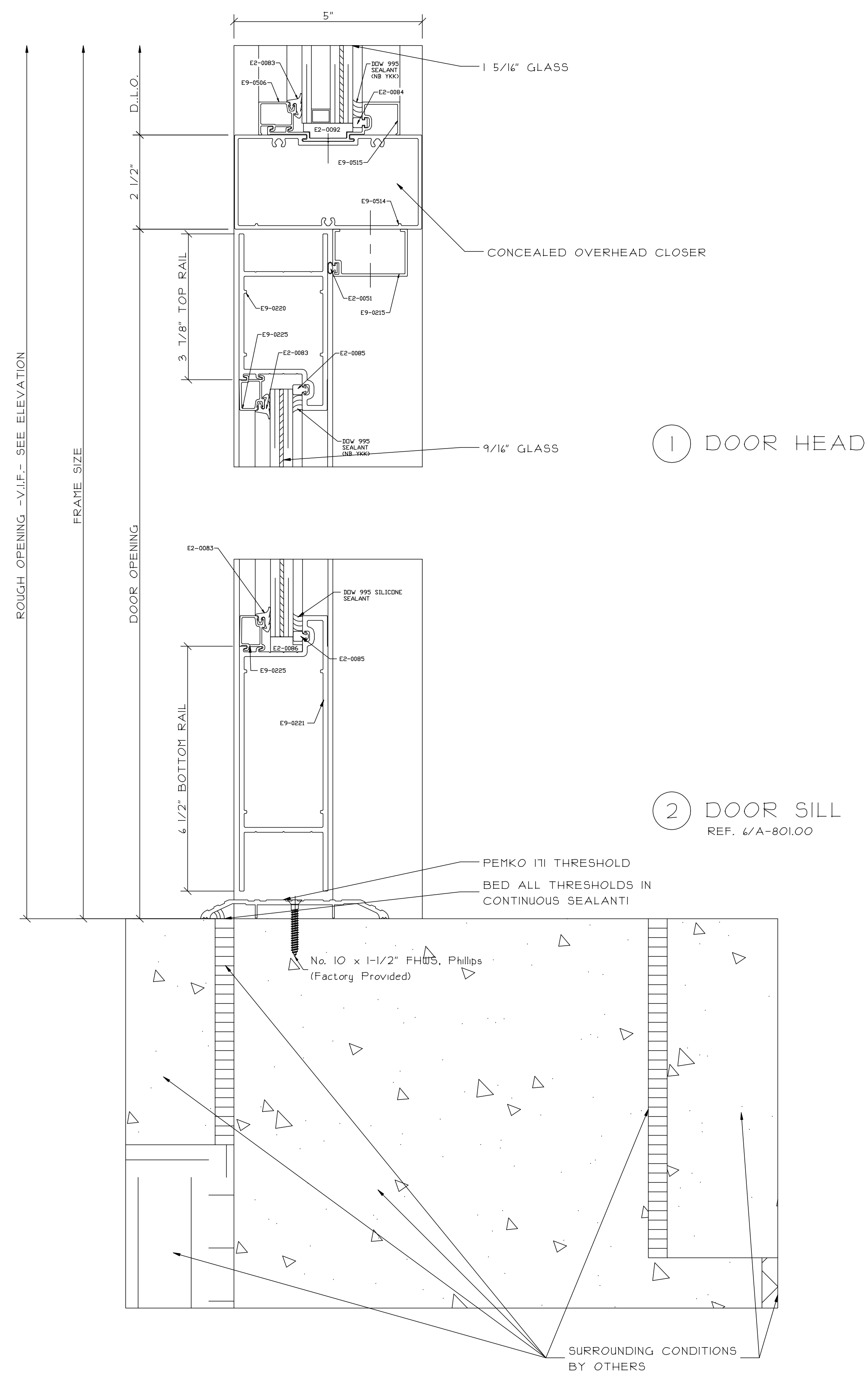
LOCATION: SAMPLE SAMPLE SAMPLE

SCALE:
6" = 1'-0"

DATE:
SAMPLE

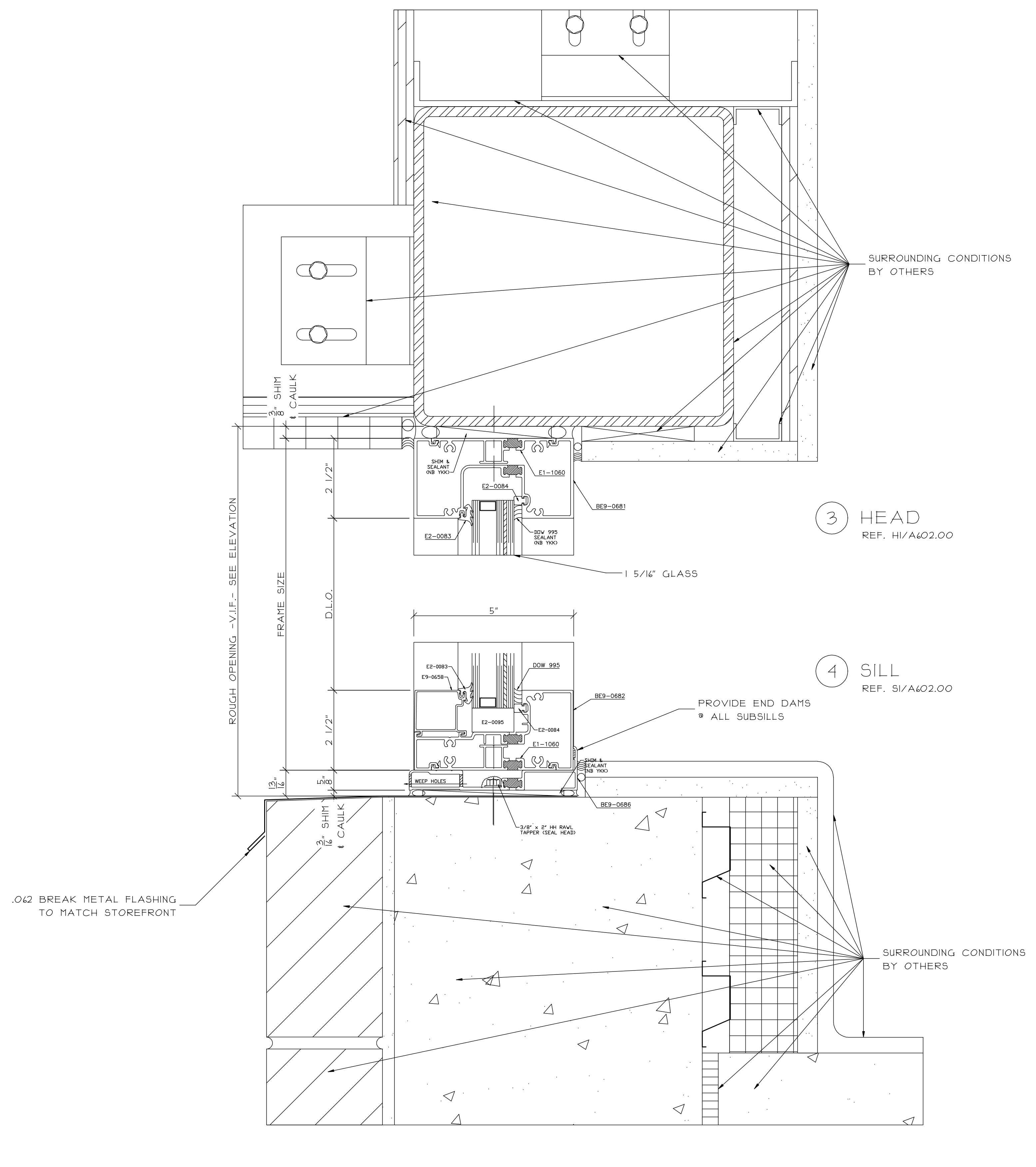
DRAWN:
SAMPLE

PAGE:
5 of 13



1 DOOR HEAD

2 DOOR SILL
REF. 6/A-801.00



3 HEAD
REF. HI/A602.00

4 SILL
REF. SI/A602.00

REVISIONS:

GLAZING CONTRACTOR:

SAMPLE	SAMPLE	SAMPLE
SAMPLE	SAMPLE	SAMPLE
SAMPLE	SAMPLE	SAMPLE
SAMPLE	SAMPLE	SAMPLE
SAMPLE	SAMPLE	SAMPLE

ARCHITECT:

SAMPLE	SAMPLE	SAMPLE
SAMPLE	SAMPLE	SAMPLE
SAMPLE	SAMPLE	SAMPLE
SAMPLE	SAMPLE	SAMPLE
SAMPLE	SAMPLE	SAMPLE

PROJECT: SAMPLE SAMPLE SAMPLE

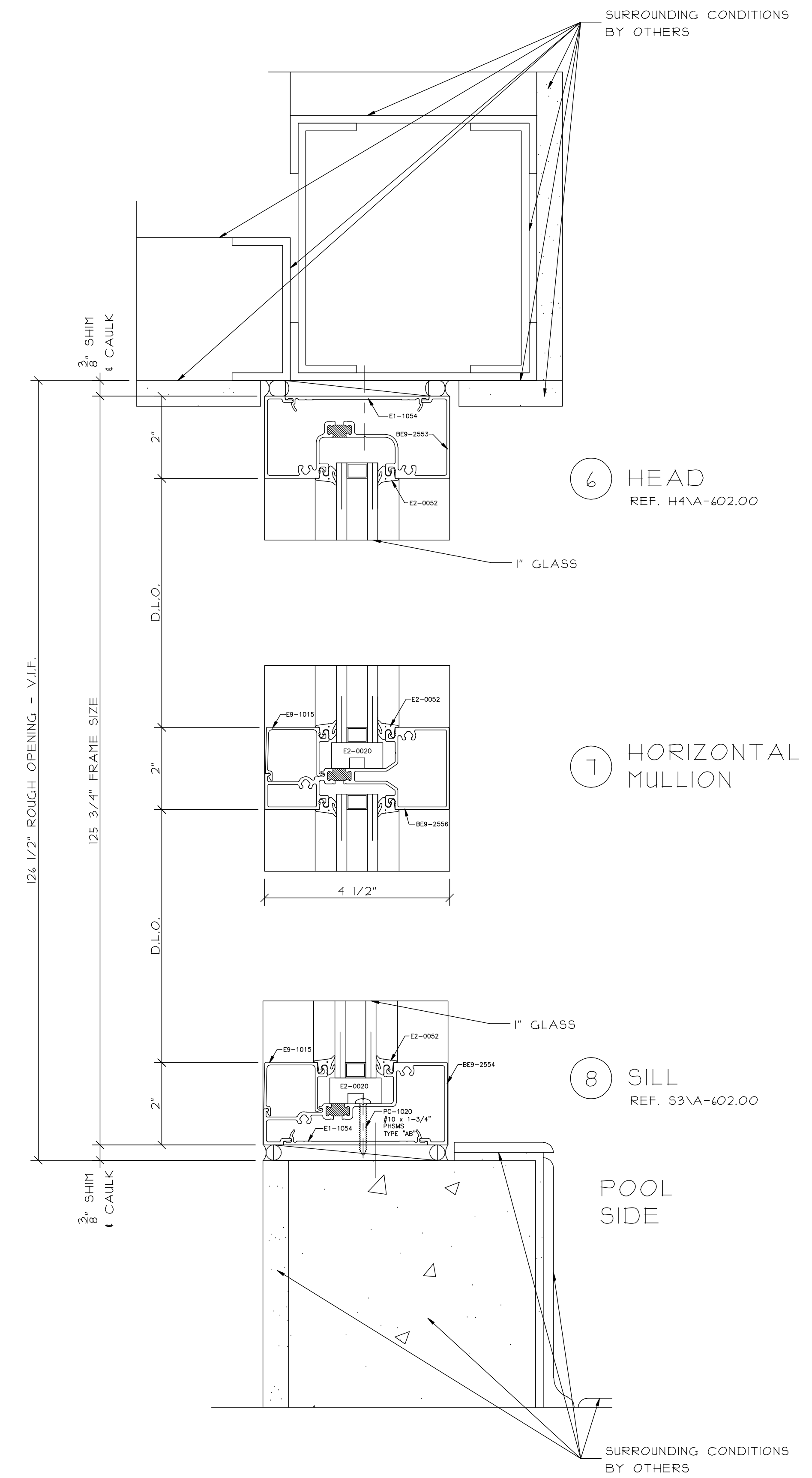
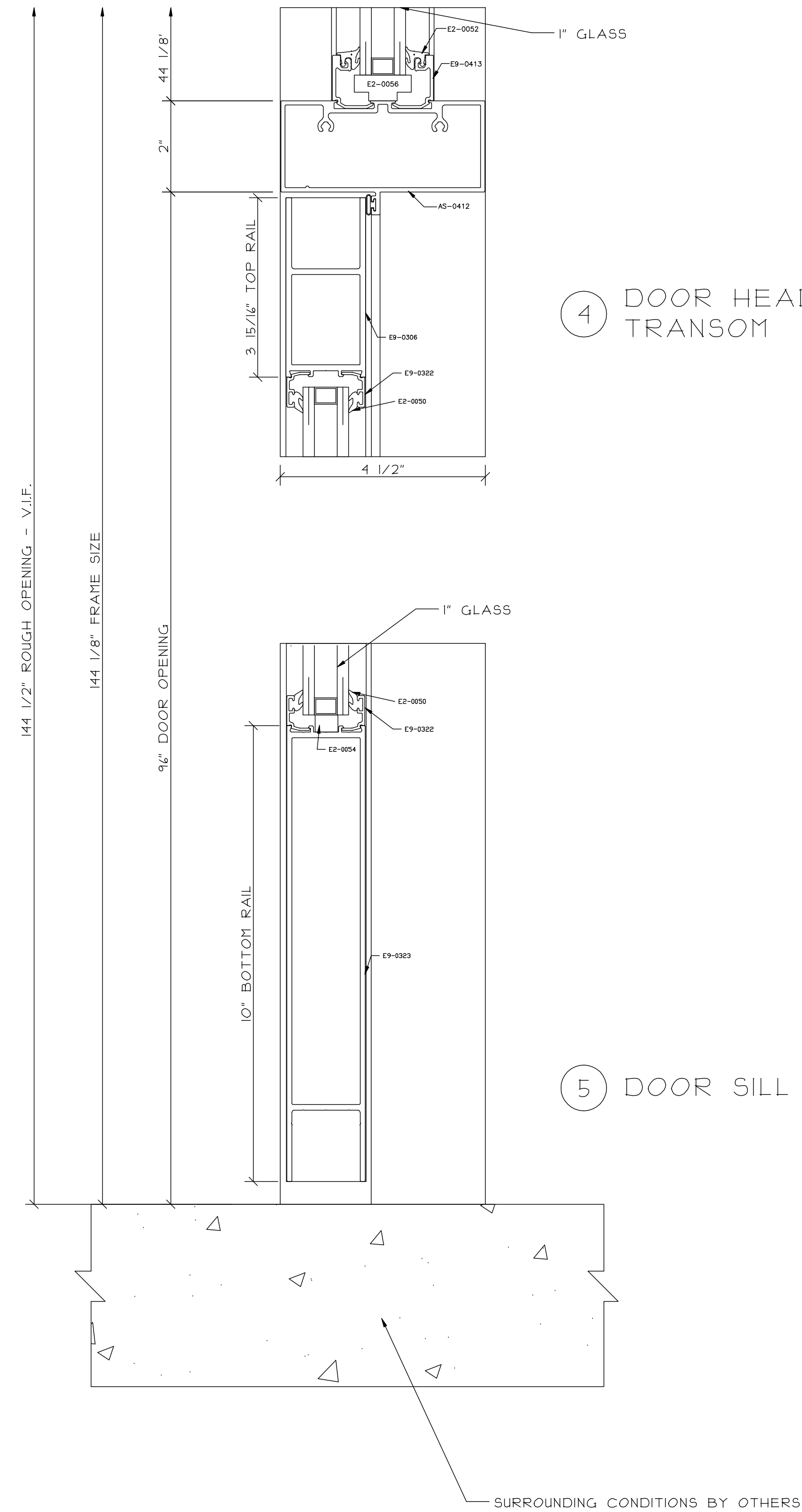
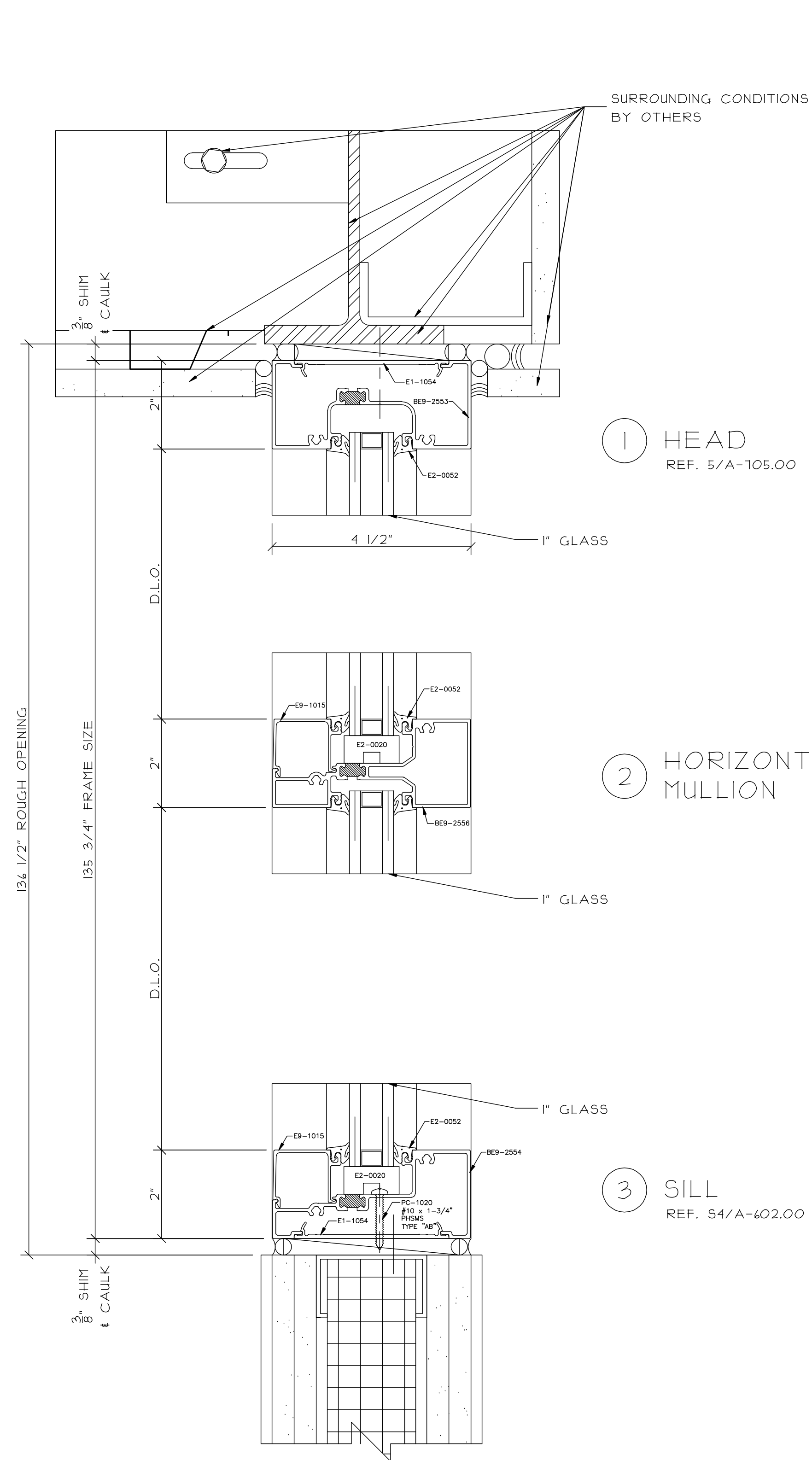
LOCATION: SAMPLE SAMPLE SAMPLE

SCALE:
6" = 1'-0"

DATE:
SAMPLE

DRAWN:
SAMPLE

PAGE:
6 of 13



REVISIONS:

GLAZING CONTRACTOR:	SAMPLE	SAMPLE	SAMPLE
ARCHITECT:	SAMPLE	SAMPLE	SAMPLE
PROJECT:	SAMPLE	SAMPLE	SAMPLE
LOCATION:	SAMPLE	SAMPLE	SAMPLE

DATE:	
-------	--

PROJECT: SAMPLE SAMPLE SAMPLE

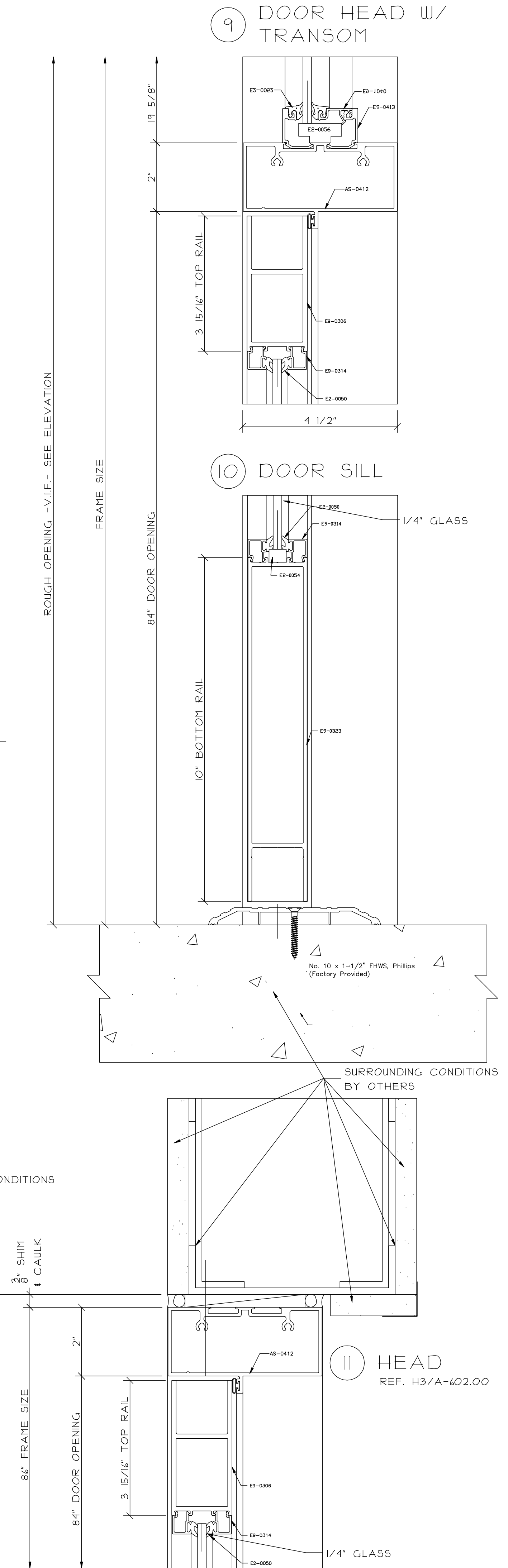
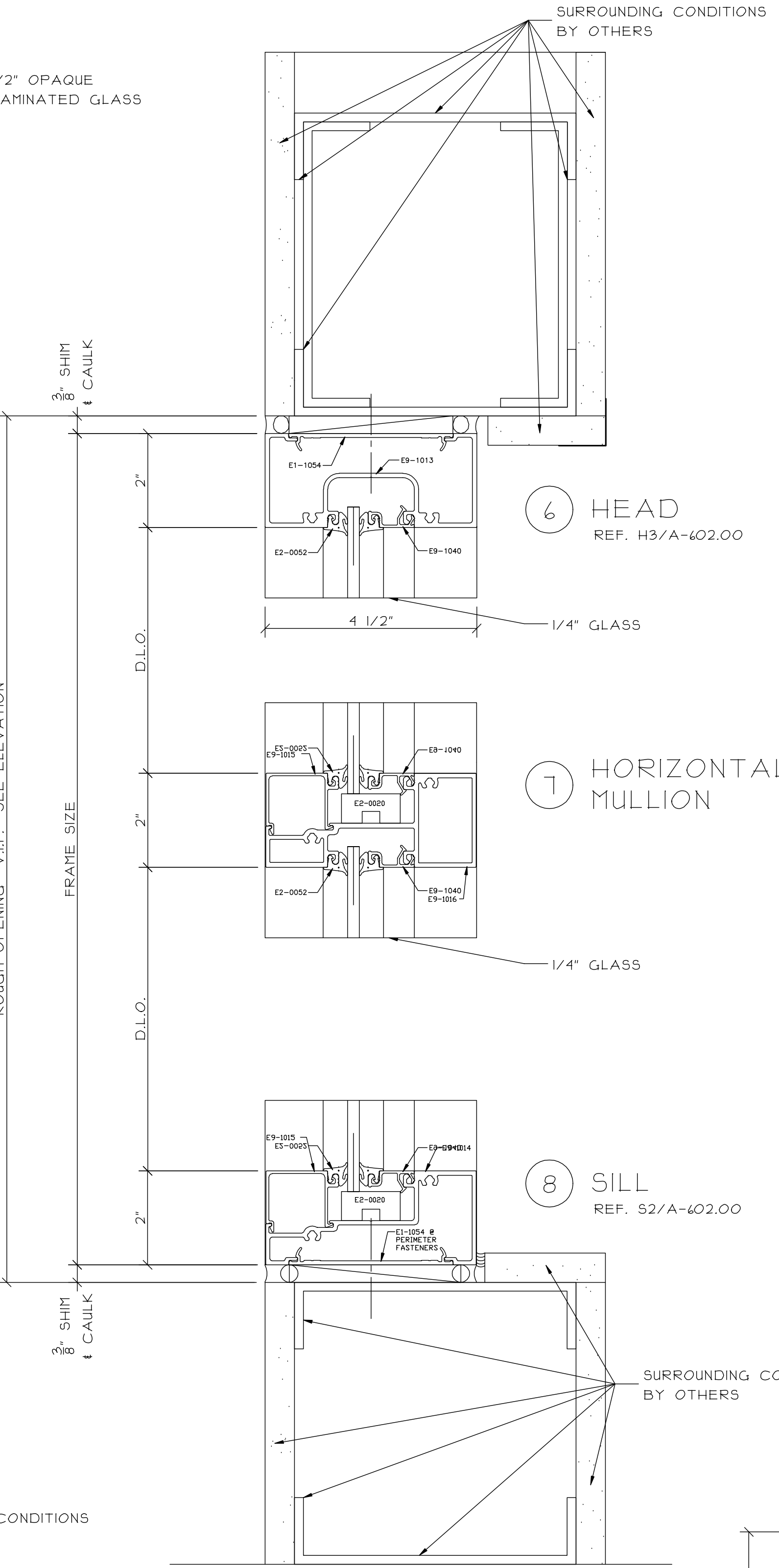
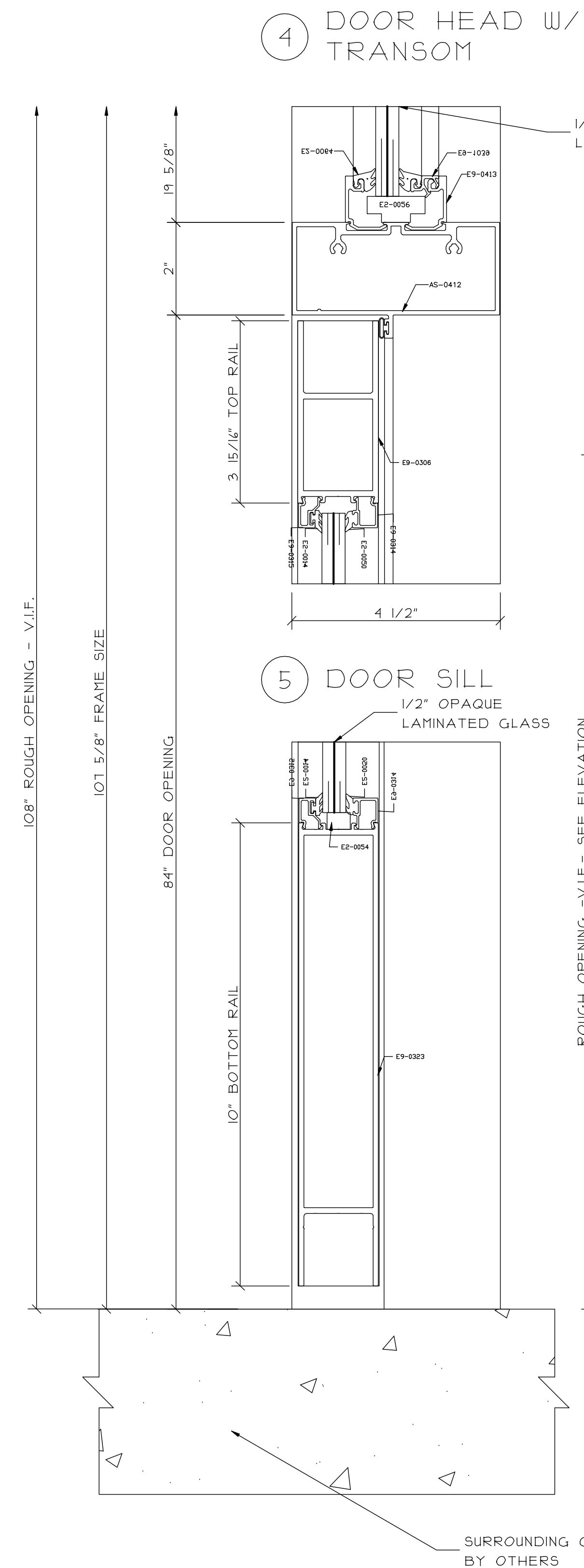
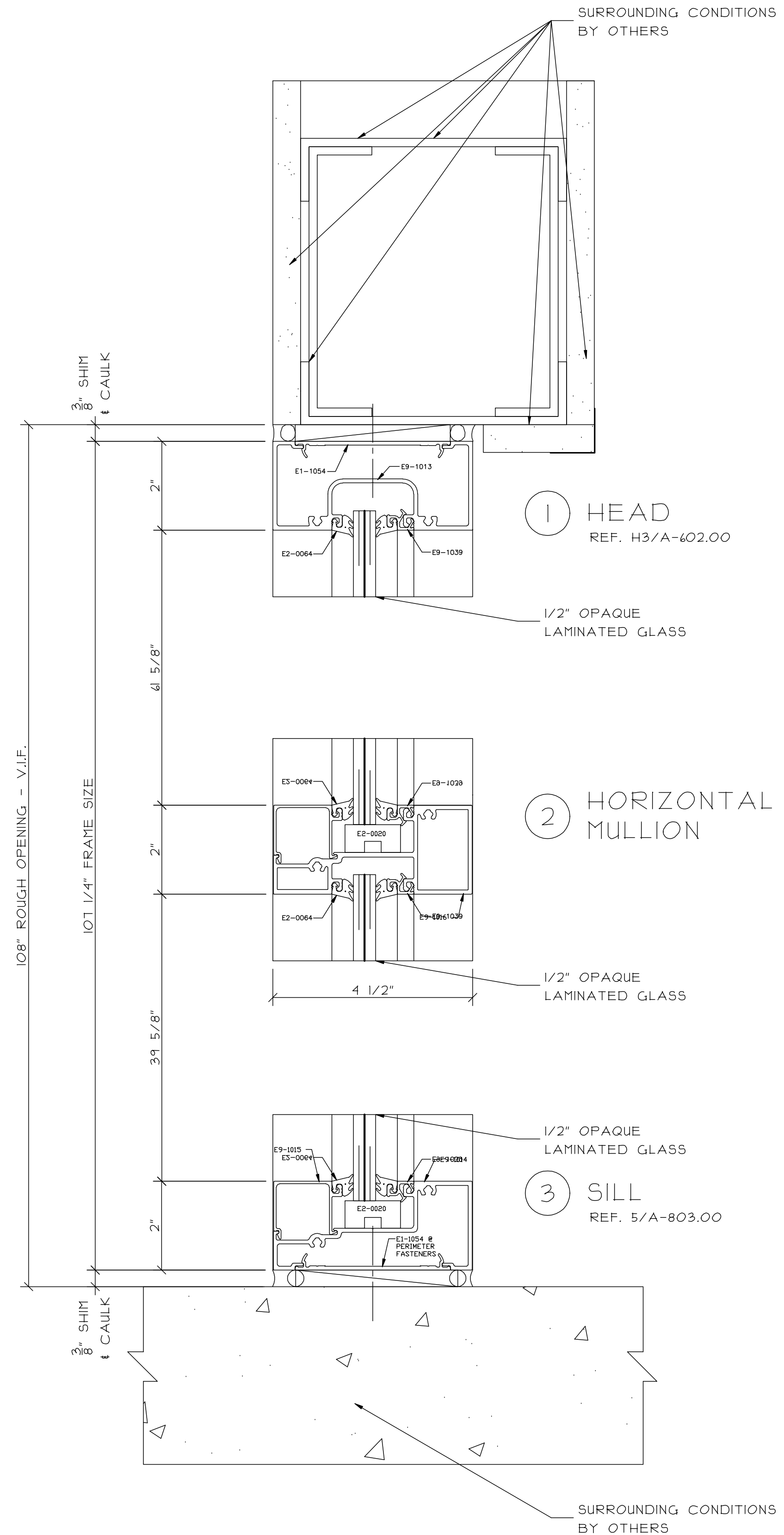
LOCATION: SAMPLE SAMPLE SAMPLE

SCALE:
6" = 1'-0"

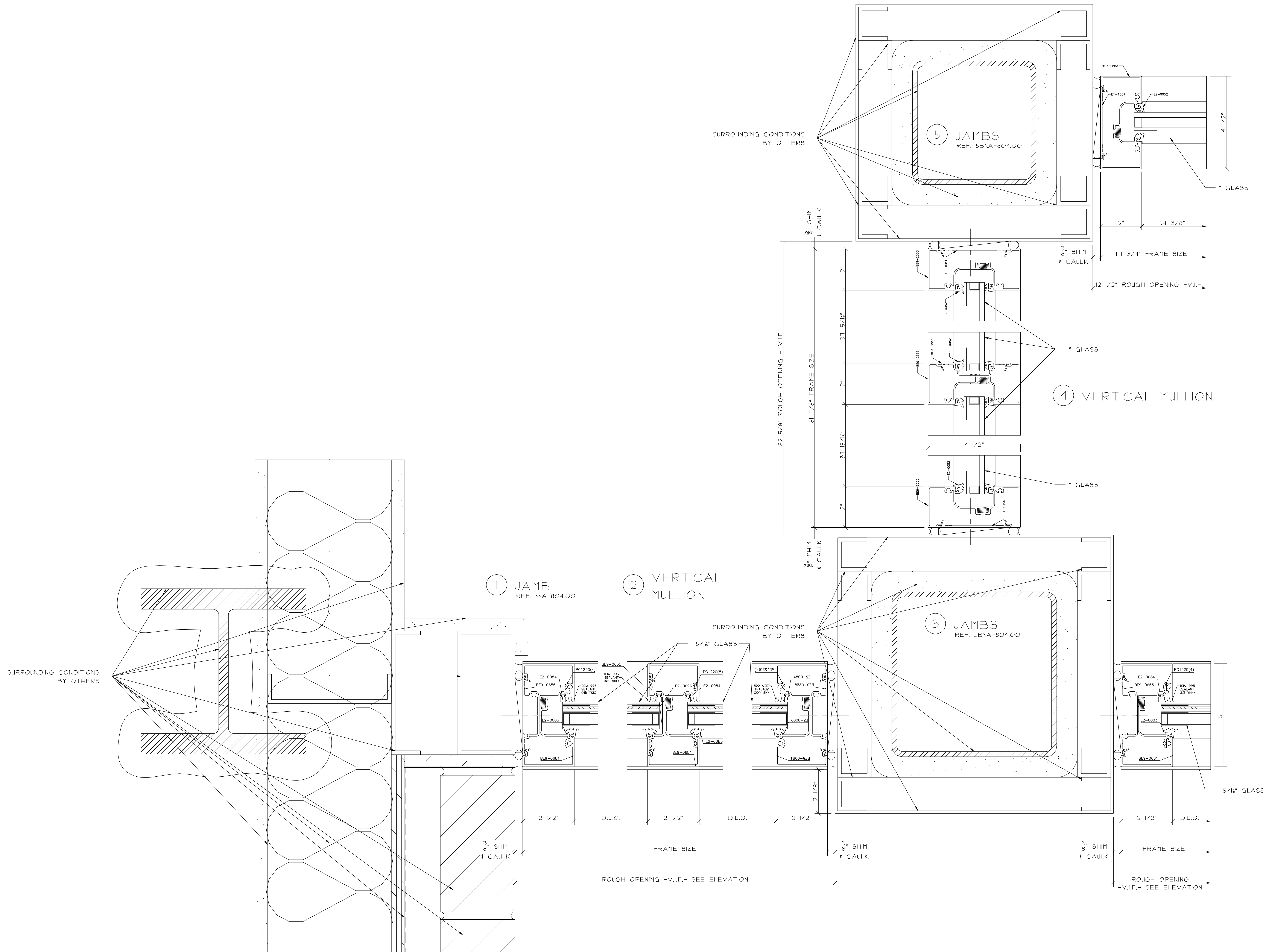
DATE:
SAMPLE

DRAWN:
SAMPLE

PAGE:
7 of 13

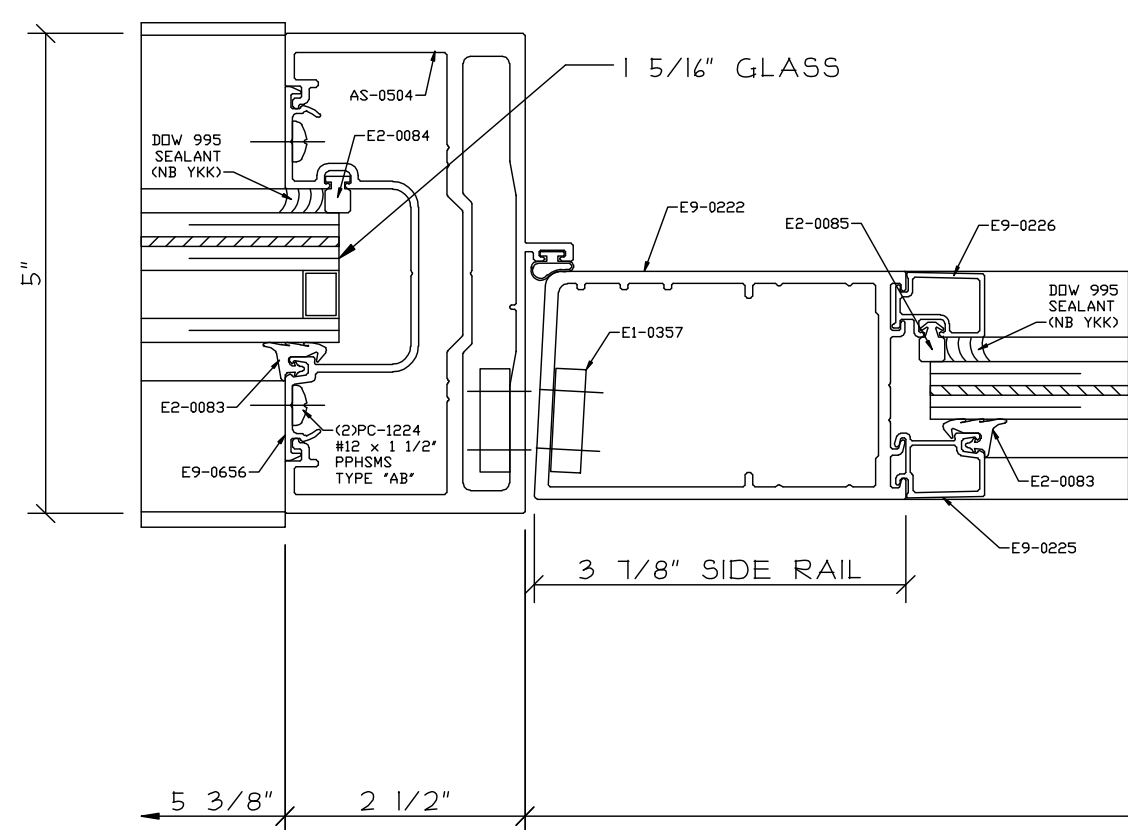


PROJECT:	SAMPLE SAMPLE SAMPLE
LOCATION:	SAMPLE SAMPLE SAMPLE
GLAZING CONTRACTOR:	SAMPLE SAMPLE SAMPLE
ARCHITECT:	SAMPLE SAMPLE SAMPLE
REVISIONS:	
DATE:	
SCALE:	6" = 1'-0"
DATE:	SAMPLE
DRAWN:	SAMPLE
PAGE:	8 of 13

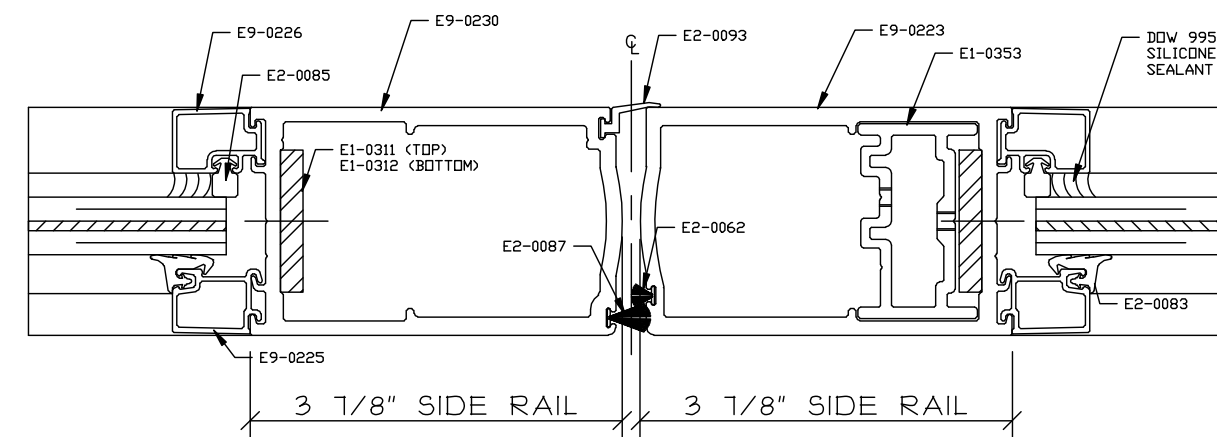


PROJECT:	SAMPLE SAMPLE SAMPLE										
LOCATION:	SAMPLE SAMPLE SAMPLE										
SCALE:	6" = 1'-0"										
DATE:	SAMPLE										
DRAWN:	SAMPLE										
PAGE:	9 of 13										
GLAZING CONTRACTOR:	SAMPLE SAMPLE SAMPLE										
ARCHITECT:	SAMPLE SAMPLE SAMPLE										
REVISIONS:	<table border="1"> <tr><td> </td><td> </td></tr> <tr><td> </td><td> </td></tr> <tr><td> </td><td> </td></tr> <tr><td> </td><td> </td></tr> <tr><td> </td><td> </td></tr> </table>										
DATE:											

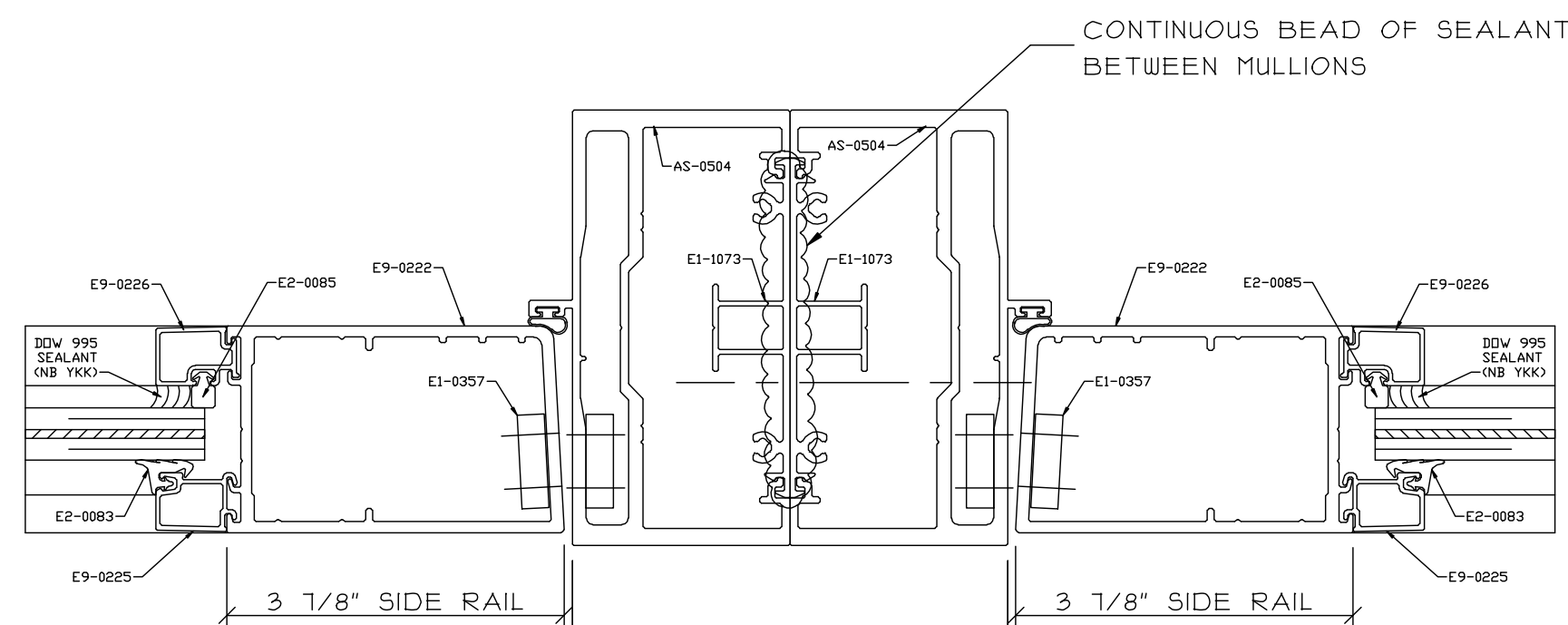
① DOOR JAMB W/ SIDELIGHT



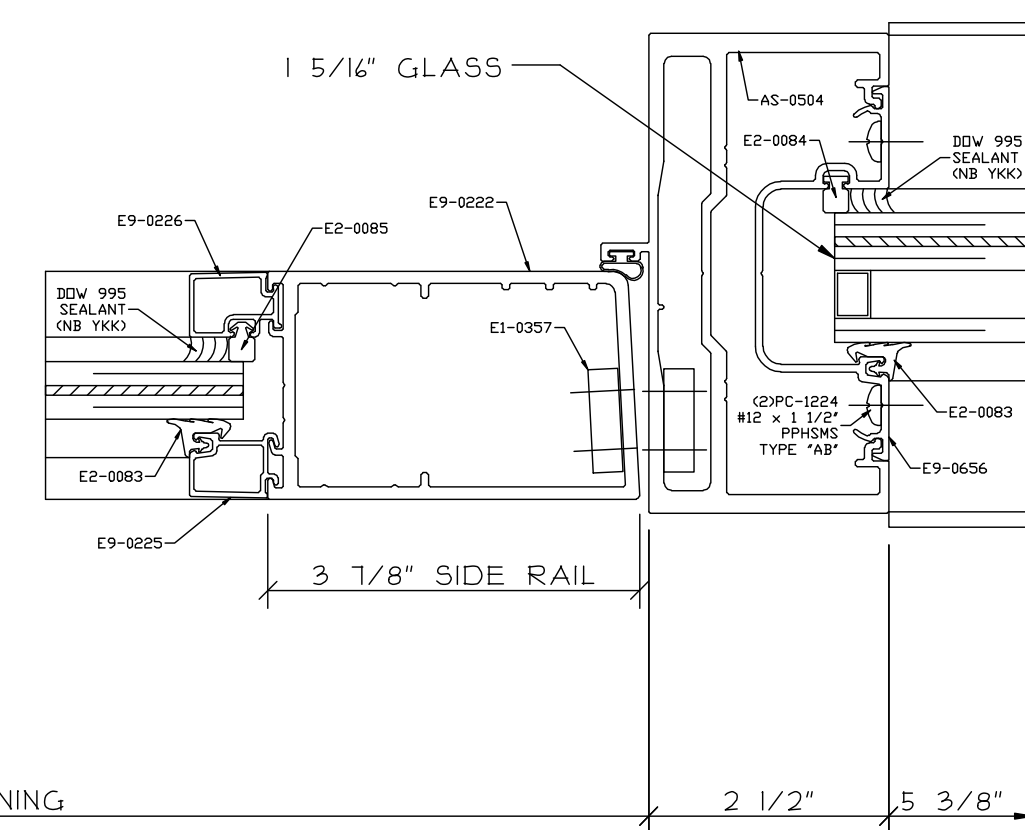
② MEETING STILE



③ DOOR JAMB



④ DOOR JAMB W/ SIDELIGHT



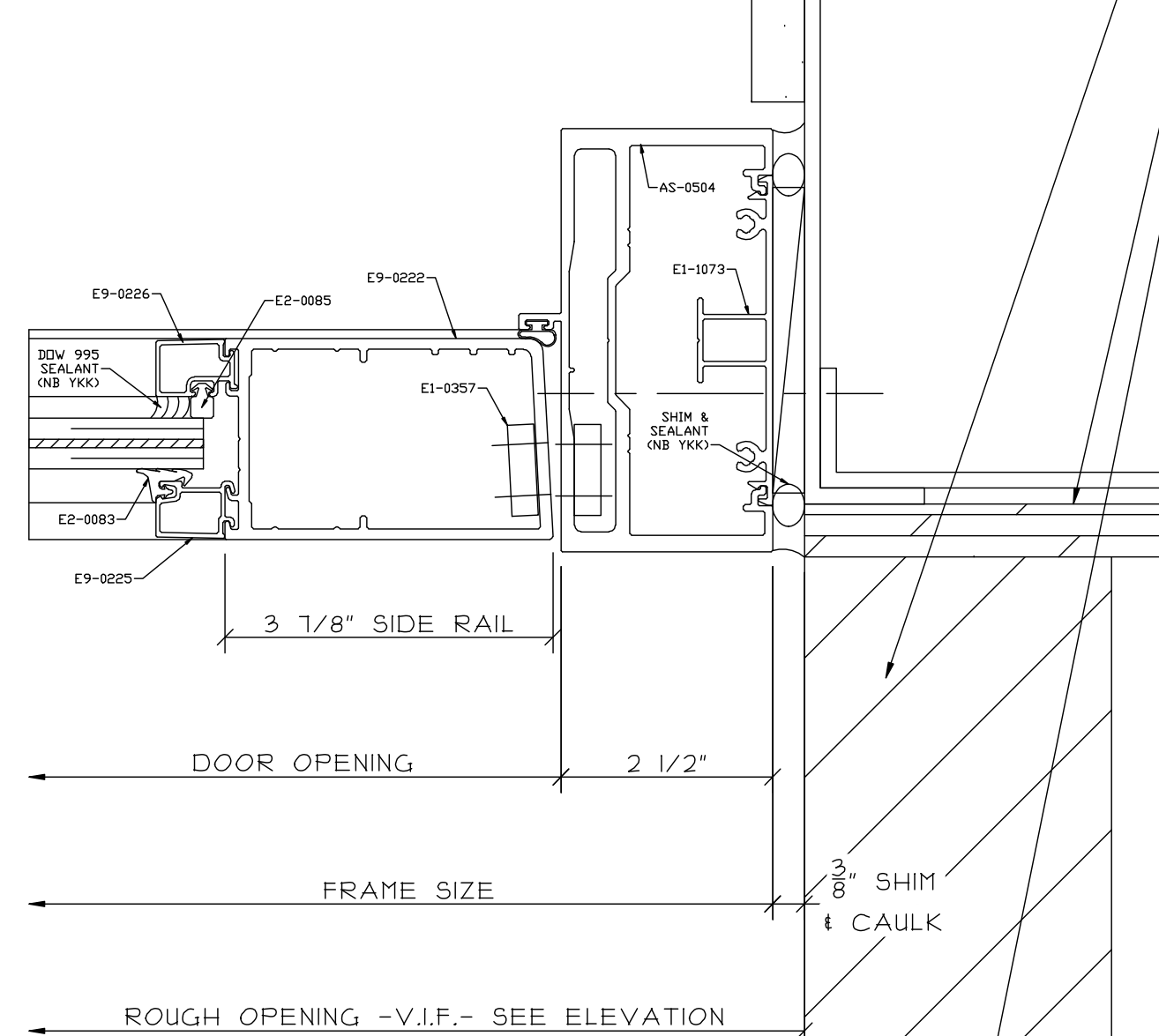
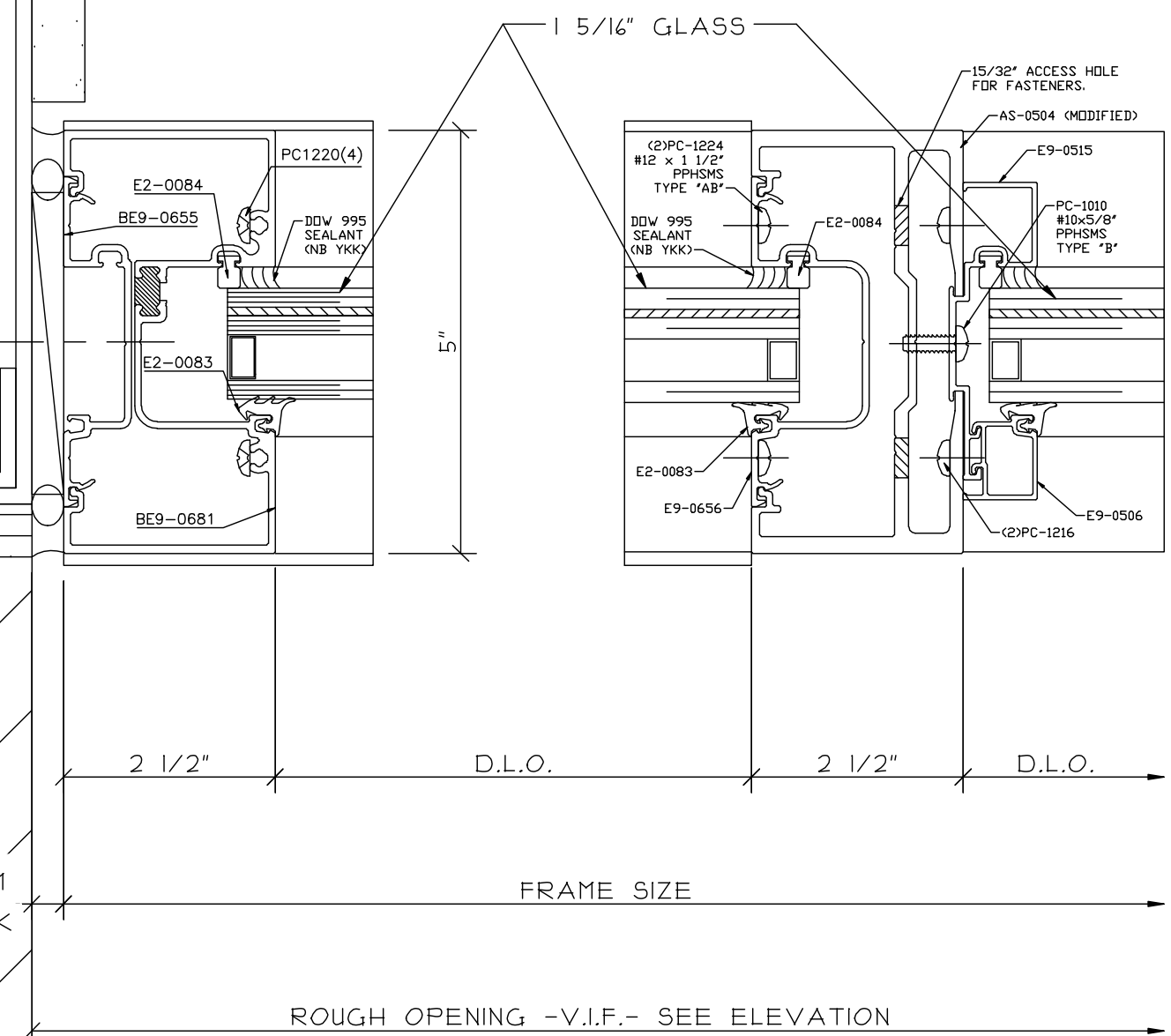
169 3/4" FRAME SIZE
170 1/2" ROUGH OPENING - V.I.F.

SURROUNDING CONDITIONS BY OTHERS

⑤ JAMB
REF. JVA-602.00

⑥ TRANSOM MULLION

⑦ DOOR JAMB
REF. JVA-602.00 SIM.



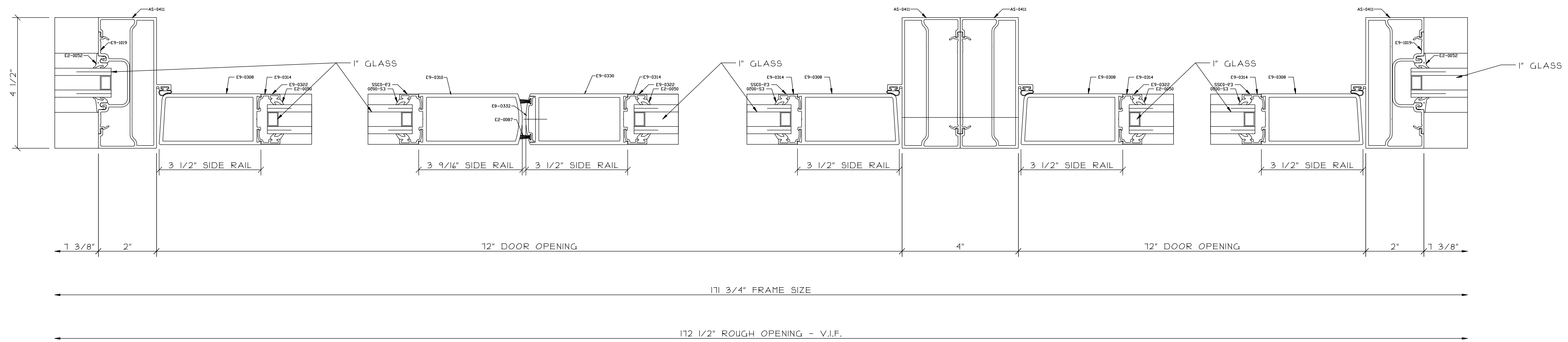
DATE:	
REVISIONS:	
GLAZING CONTRACTOR:	SAMPLE SAMPLE SAMPLE
ARCHITECT:	SAMPLE SAMPLE SAMPLE
PROJECT:	SAMPLE SAMPLE SAMPLE
LOCATION:	SAMPLE SAMPLE SAMPLE
SCALE:	6" = 1'-0"
DATE:	SAMPLE
DRAWN:	SAMPLE
PAGE:	10 of 13

① DOOR JAMB
W/ SIDELIGHT

② MEETING STILE

③ DOOR JAMB

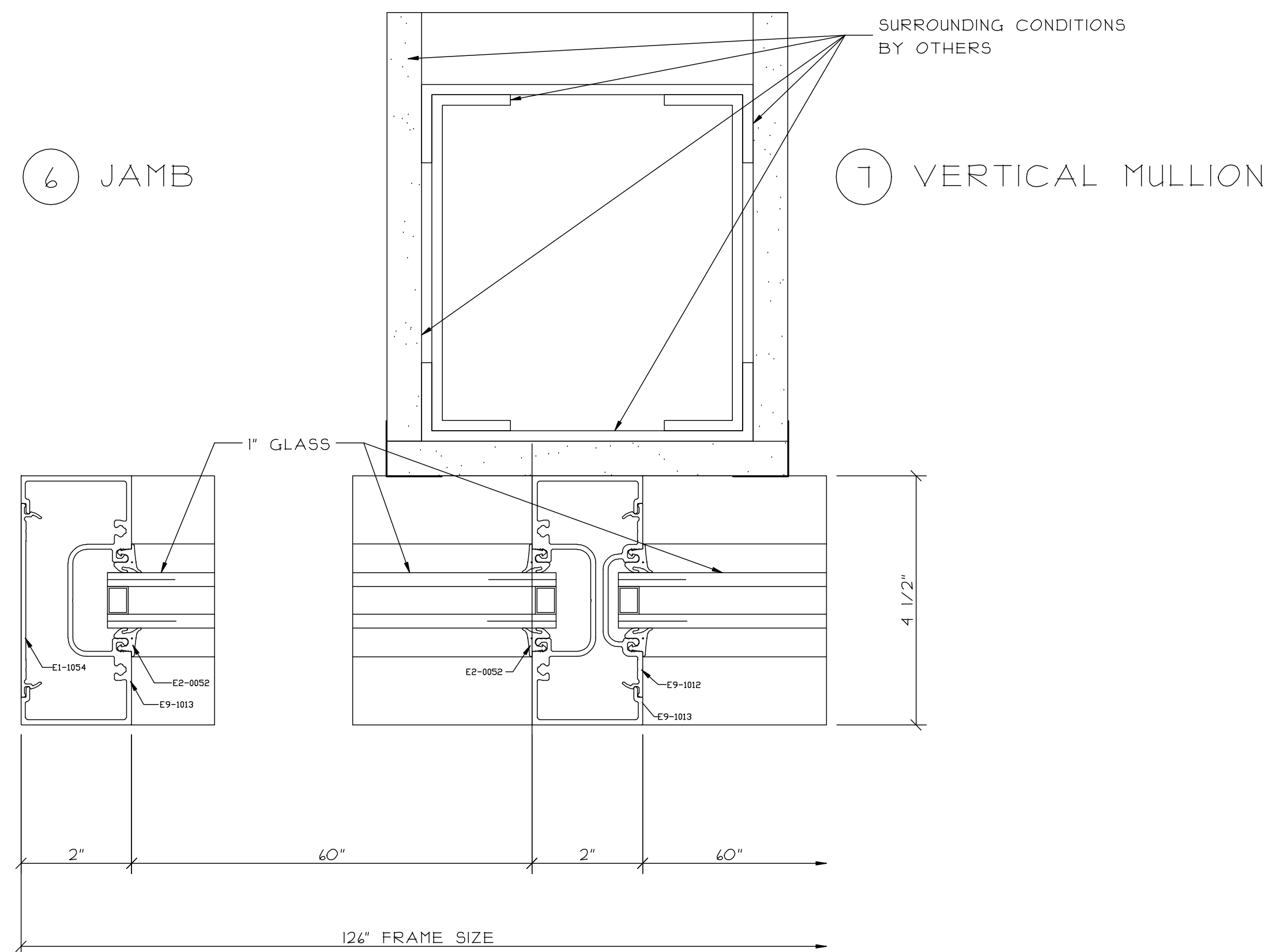
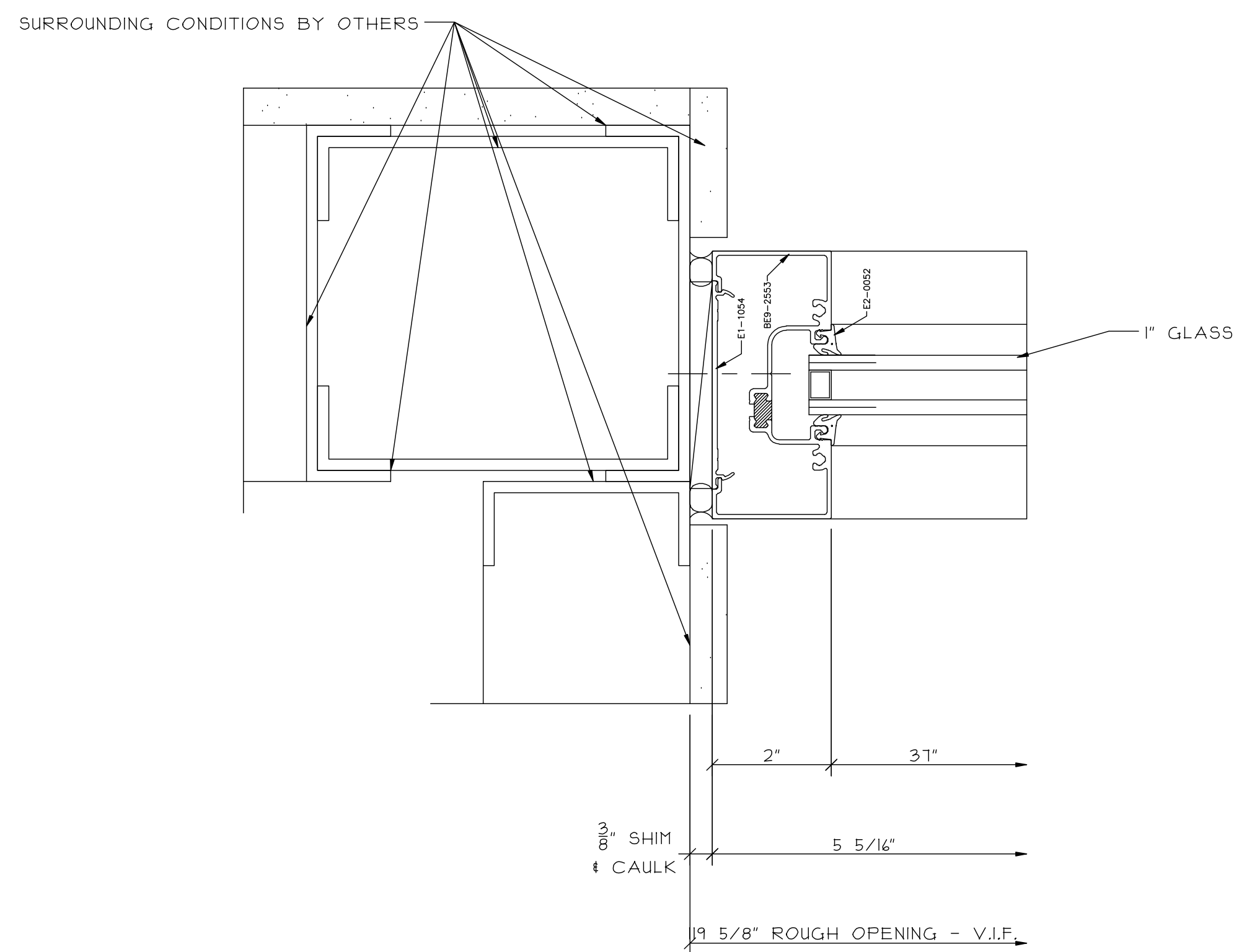
④ DOOR JAMB
W/ SIDELIGHT



⑤ JAMB
REF. J3/A-602.00

⑥ JAMB

⑦ VERTICAL MULLION



REVISIONS:	DATE:

GLAZING CONTRACTOR:
 SAMPLE SAMPLE SAMPLE
 SAMPLE SAMPLE SAMPLE
 SAMPLE SAMPLE SAMPLE
 SAMPLE SAMPLE SAMPLE
 SAMPLE SAMPLE SAMPLE

ARCHITECT:
 SAMPLE SAMPLE SAMPLE
 SAMPLE SAMPLE SAMPLE
 SAMPLE SAMPLE SAMPLE
 SAMPLE SAMPLE SAMPLE
 SAMPLE SAMPLE SAMPLE

PROJECT: SAMPLE SAMPLE SAMPLE
 LOCATION: SAMPLE SAMPLE SAMPLE

SCALE:
 6" = 1'-0"

DATE:
 SAMPLE

DRAWN:
 SAMPLE

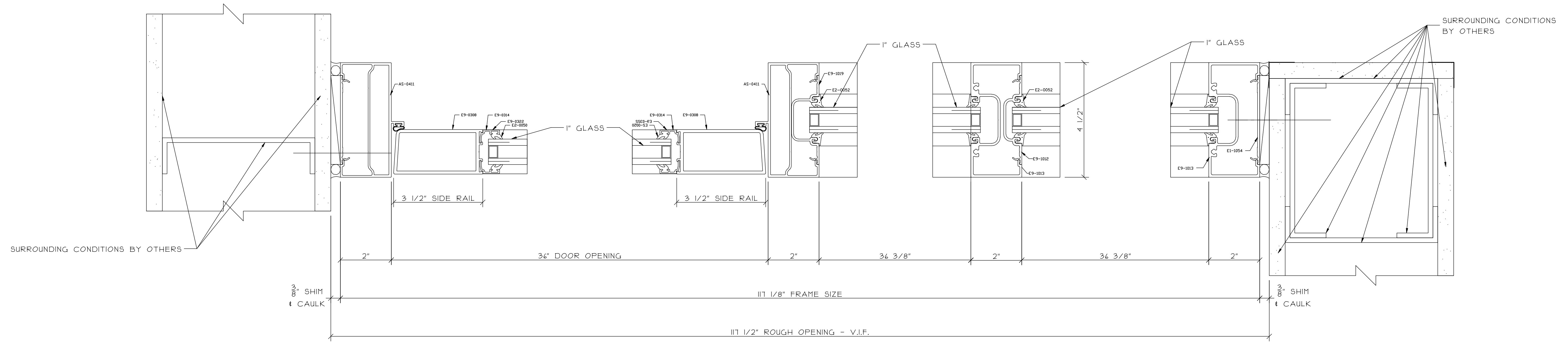
PAGE:
 11 of 13

① DOOR JAMB

② DOOR JAMB
W/ SIDELIGHT

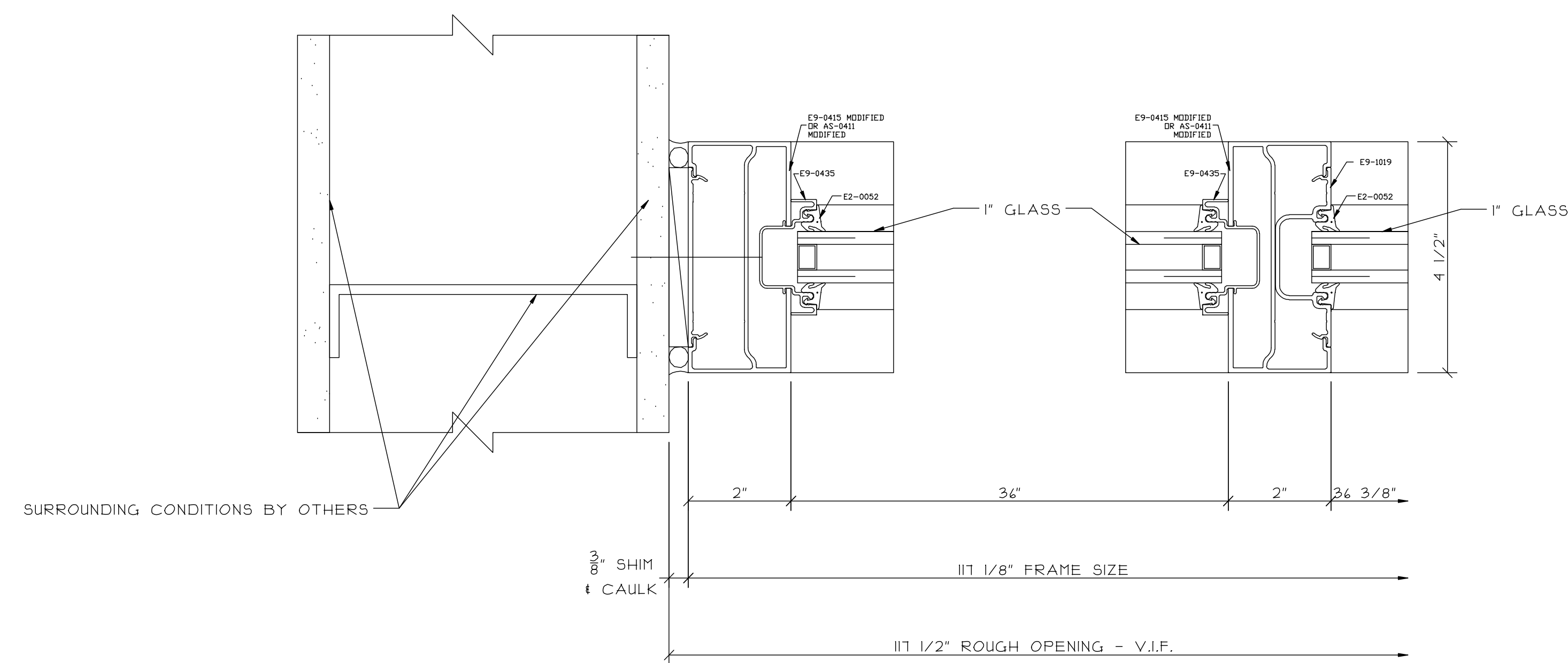
③ VERTICAL MULLION

④ JAMB
REF. J2/A-402.00 SIM.



⑤ TRANSOM JAMB

⑥ TRANSOM MULLION



REVISIONS:	DATE:

GLAZING CONTRACTOR:
 SAMPLE SAMPLE SAMPLE
 SAMPLE SAMPLE SAMPLE
 SAMPLE SAMPLE SAMPLE
 SAMPLE SAMPLE SAMPLE
 SAMPLE SAMPLE SAMPLE

ARCHITECT:
 SAMPLE SAMPLE SAMPLE
 SAMPLE SAMPLE SAMPLE
 SAMPLE SAMPLE SAMPLE
 SAMPLE SAMPLE SAMPLE
 SAMPLE SAMPLE SAMPLE

PROJECT: SAMPLE SAMPLE SAMPLE
 LOCATION: SAMPLE SAMPLE SAMPLE

SCALE:
 6" = 1'-0"

DATE:
 SAMPLE

DRAWN:
 SAMPLE

PAGE:
 12 of 13

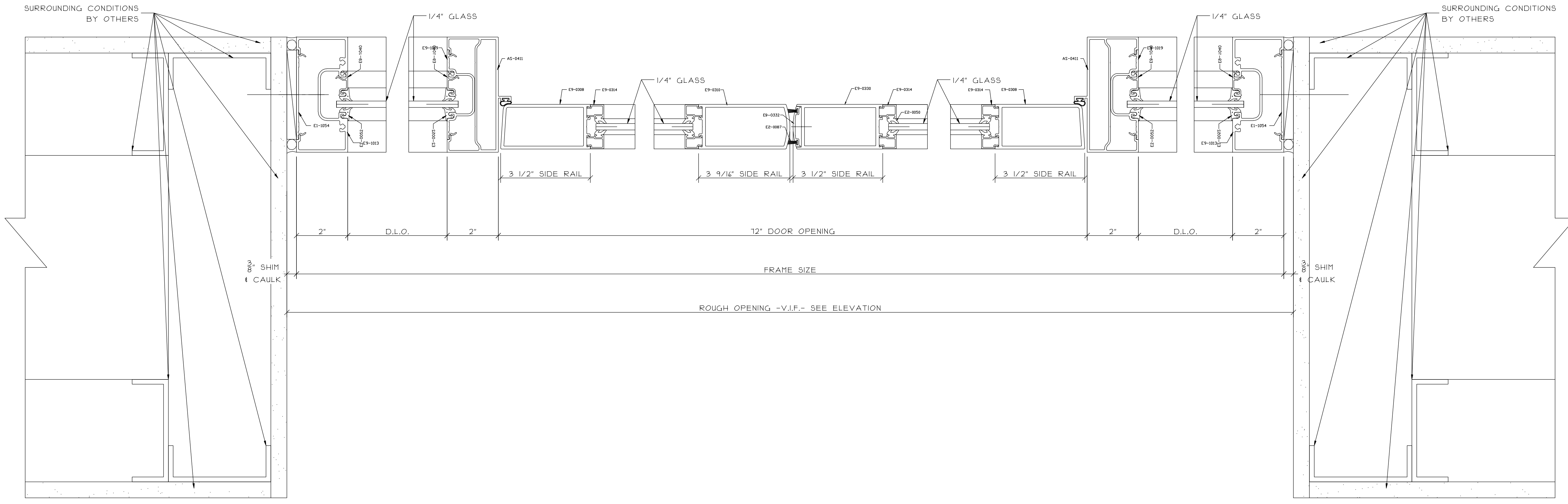
① DOOR JAMB

② DOOR JAMB W/ SIDELIGHT

③ MEETING STILE

④ DOOR JAMB W/ SIDELIGHT

⑤ JAMB
REF. J2/A-402.00 SIM.

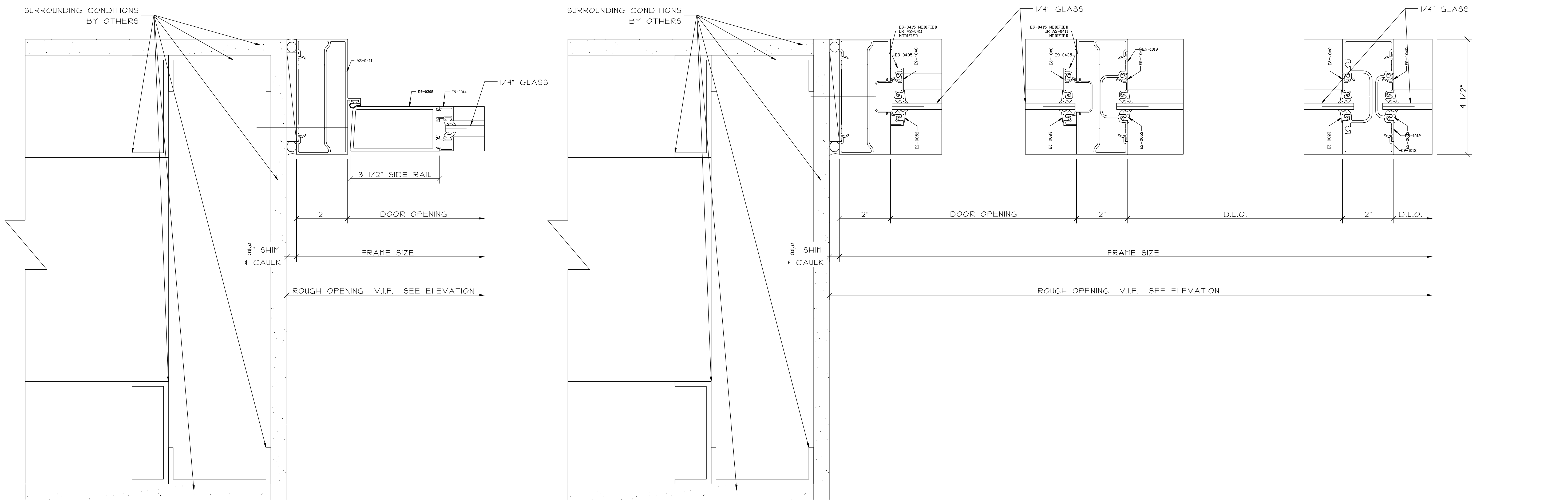


⑥ DOOR JAMB

⑦ TRANSOM JAMB

⑧ TRANSOM MULLION

⑨ VERTICAL MULLION



DATE:	
REVISIONS:	

GLAZING CONTRACTOR:	SAMPLE
	SAMPLE
	SAMPLE
	SAMPLE
	SAMPLE

ARCHITECT:	SAMPLE
	SAMPLE
	SAMPLE
	SAMPLE
	SAMPLE

PROJECT:	SAMPLE
LOCATION:	SAMPLE

SCALE:	6" = 1'-0"
DATE:	SAMPLE
DRAWN:	SAMPLE
PAGE:	13 of 13