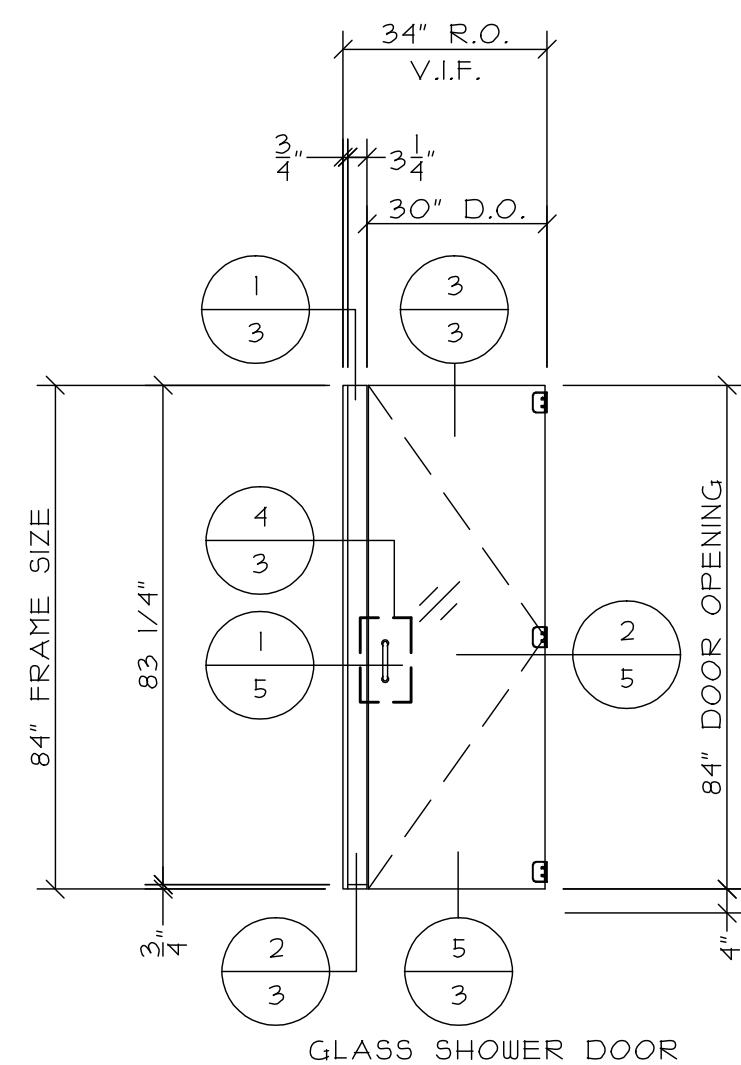


## GLASS SHOWER DOORS & MIRRORS

GENERAL NOTES:

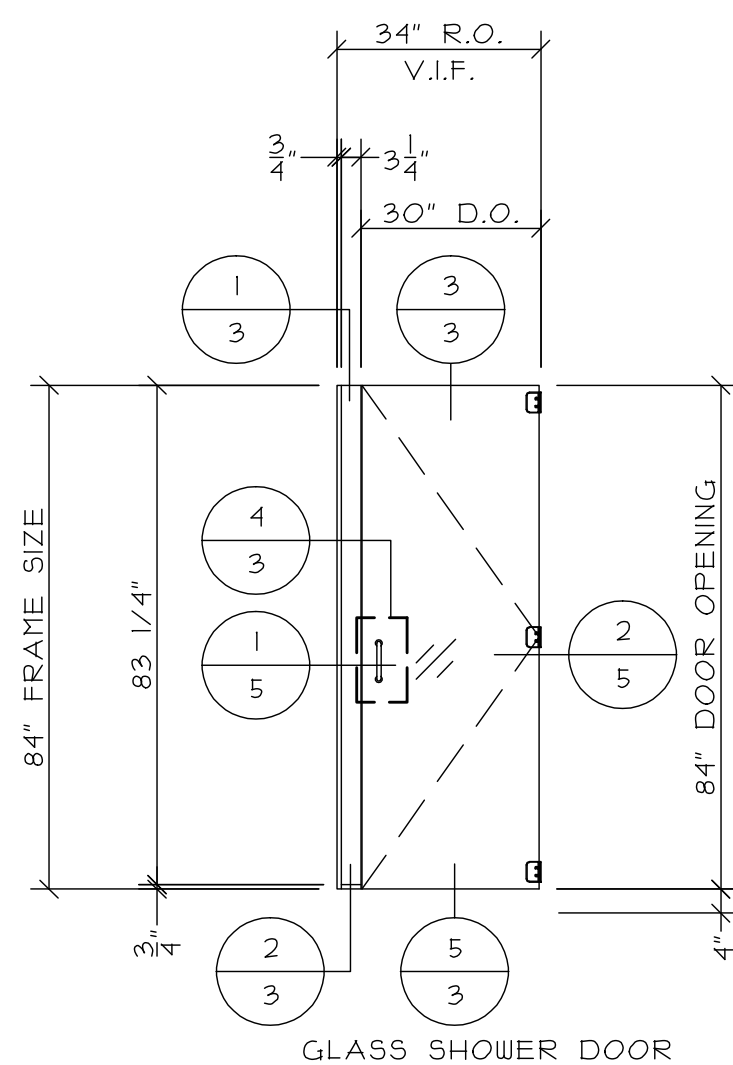
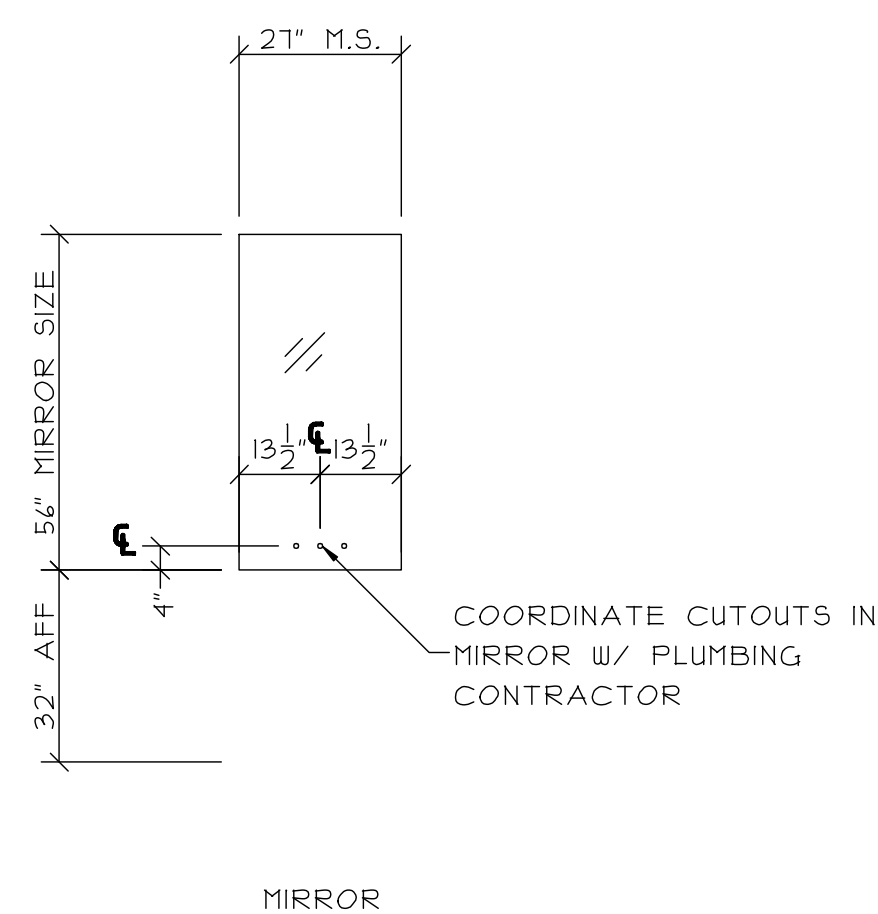
1. GENERAL NOTES

| BATHROOM MATRIX |          |          |          |          |          |          |          |          |          |          |          |          |          |          |          |          |          |          |          |          |            |
|-----------------|----------|----------|----------|----------|----------|----------|----------|----------|----------|----------|----------|----------|----------|----------|----------|----------|----------|----------|----------|----------|------------|
| BATHROOM TYPE   | FLOOR    |          |          |          |          |          |          |          |          |          |          |          |          |          |          |          |          |          |          |          |            |
|                 | CELLAR   | 1ST      | 2ND      | 3RD      | 4TH      | 5TH      | 6TH      | 7TH      | 8TH      | 9TH      | 10TH     | 11TH     | 12TH     | 13TH     | 14TH     | 15TH     | 16TH     | 17TH     | 18TH     | 19TH     | TOTAL      |
| TYPE 1          |          |          | 1        | 2        | 2        | 2        | 2        | 2        | 2        | 2        | 2        | 2        | 2        | 2        | 2        | 2        | 2        | 2        | 2        | 2        | 33         |
| TYPE 2          |          |          |          | 3        | 3        | 3        | 3        | 3        | 3        | 3        | 3        | 3        | 3        | 3        | 3        | 3        | 3        | 3        | 2        |          | 47         |
| TYPE 2A         |          |          |          | 1        | 1        | 1        | 1        | 1        | 1        | 1        | 1        | 1        | 1        | 1        | 1        | 1        | 1        | 1        |          |          | 15         |
| TYPE 3          |          |          | 1        | 1        | 1        | 1        | 1        | 1        | 1        | 1        | 1        | 1        | 1        | 1        | 1        | 1        | 1        | 1        |          |          | 16         |
| TYPE 4          |          |          |          |          | 1        | 1        | 1        | 1        | 1        | 1        | 1        | 1        |          |          |          |          |          |          |          |          | 8          |
| TYPE 5          |          |          |          |          |          |          |          |          |          |          |          |          |          |          |          |          |          |          | 1        |          | 1          |
| TYPE 6          |          |          |          |          |          |          |          |          |          |          |          |          |          |          |          |          |          |          | 1        |          | 1          |
| TYPE 7          |          |          |          |          |          |          |          |          |          |          |          |          |          |          |          |          |          |          |          | 1        | 1          |
| TYPE 8          | 2        | 1        |          |          |          |          |          |          |          |          |          |          |          |          |          |          |          |          |          |          | 3          |
| TYPE 9          |          | 2        | 1        |          |          |          |          |          |          |          |          |          |          |          |          |          |          |          |          |          | 3          |
| TYPE 10         |          |          |          |          |          |          |          |          |          |          |          |          |          |          |          |          |          |          |          | 1        | 1          |
| TYPE 11         |          |          |          | 1        |          |          |          |          |          |          |          |          | 1        | 1        | 1        | 1        | 1        | 1        |          |          | 1          |
| <b>TOTAL</b>    | <b>2</b> | <b>3</b> | <b>3</b> | <b>8</b> | <b>8</b> | <b>8</b> | <b>8</b> | <b>8</b> | <b>8</b> | <b>8</b> | <b>8</b> | <b>8</b> | <b>8</b> | <b>8</b> | <b>8</b> | <b>8</b> | <b>8</b> | <b>8</b> | <b>6</b> | <b>2</b> | <b>136</b> |



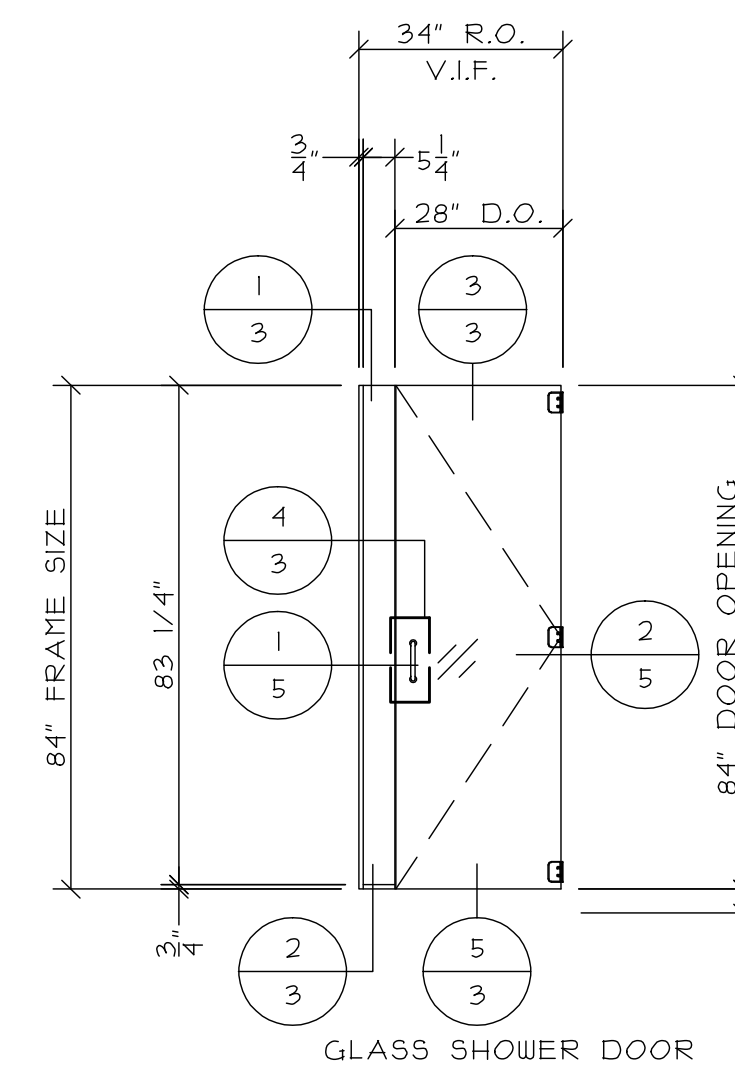
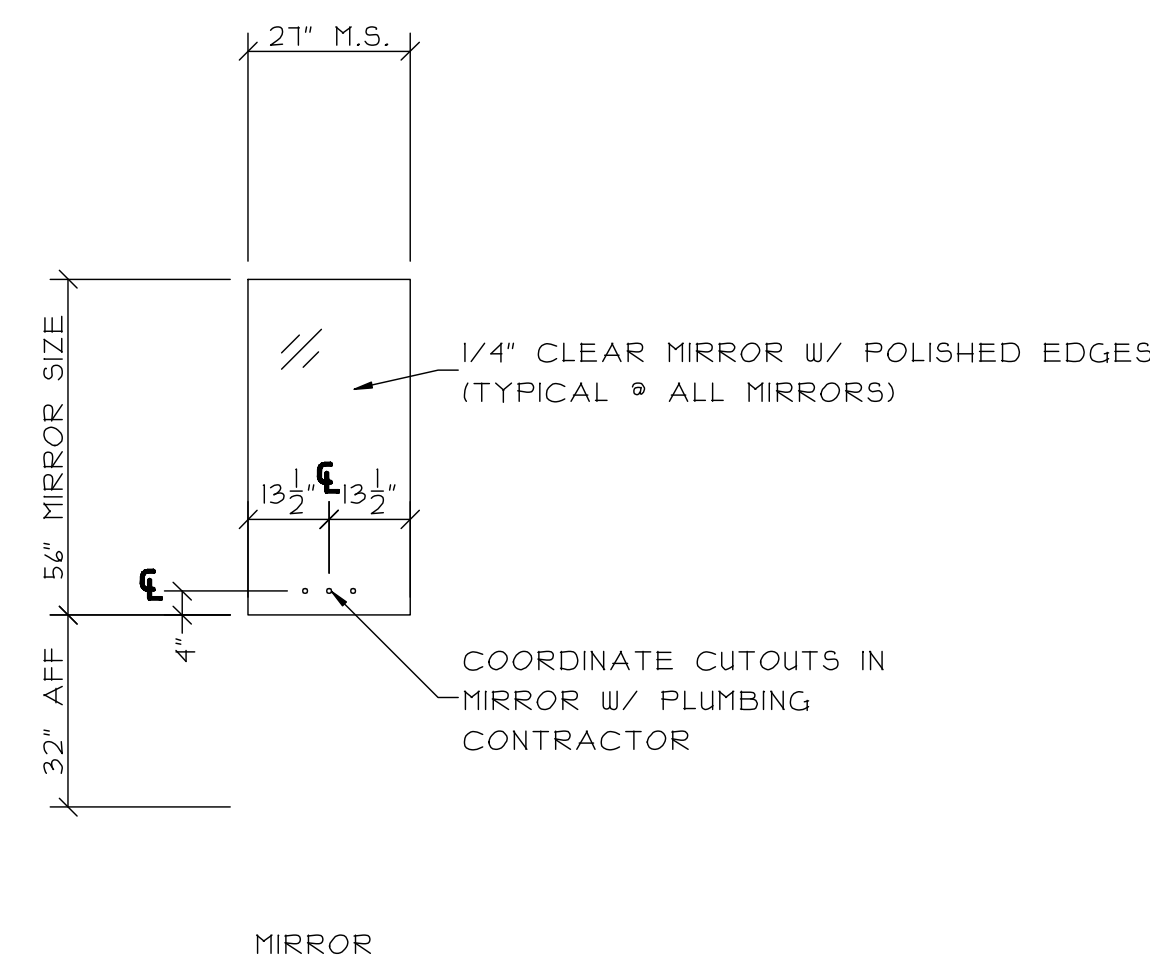
BATHROOM ROOM PLAN - TYPE 1  
33 TOTAL

ROOM #2 @ 2ND FLR, ROOM #4 @ #5 @ FLRS 3-17, ROOM #3 @ #6 @ 18TH FLR  
REF: 6/A-501.00



BATHROOM ROOM PLAN - TYPE 2  
47 TOTAL

ROOM #2, #6 @ #7 @ FLRS 3-17, ROOM #4 @ #5 @ 18TH FLOOR  
REF: 6/A-501.00



BATHROOM ROOM PLAN - TYPE 2A  
15 TOTAL

ROOM #3 @ FLOORS 3-17  
REF: 6/A-501.00

| REVISIONS: | DATE: |
|------------|-------|
|            |       |
|            |       |
|            |       |

| GLAZING CONTRACTOR:  |
|----------------------|
| SAMPLE SAMPLE SAMPLE |
| SAMPLE SAMPLE SAMPLE |
| SAMPLE SAMPLE SAMPLE |
| SAMPLE SAMPLE SAMPLE |
| SAMPLE SAMPLE SAMPLE |

| ARCHITECT:           |
|----------------------|
| SAMPLE SAMPLE SAMPLE |
| SAMPLE SAMPLE SAMPLE |
| SAMPLE SAMPLE SAMPLE |
| SAMPLE SAMPLE SAMPLE |
| SAMPLE SAMPLE SAMPLE |

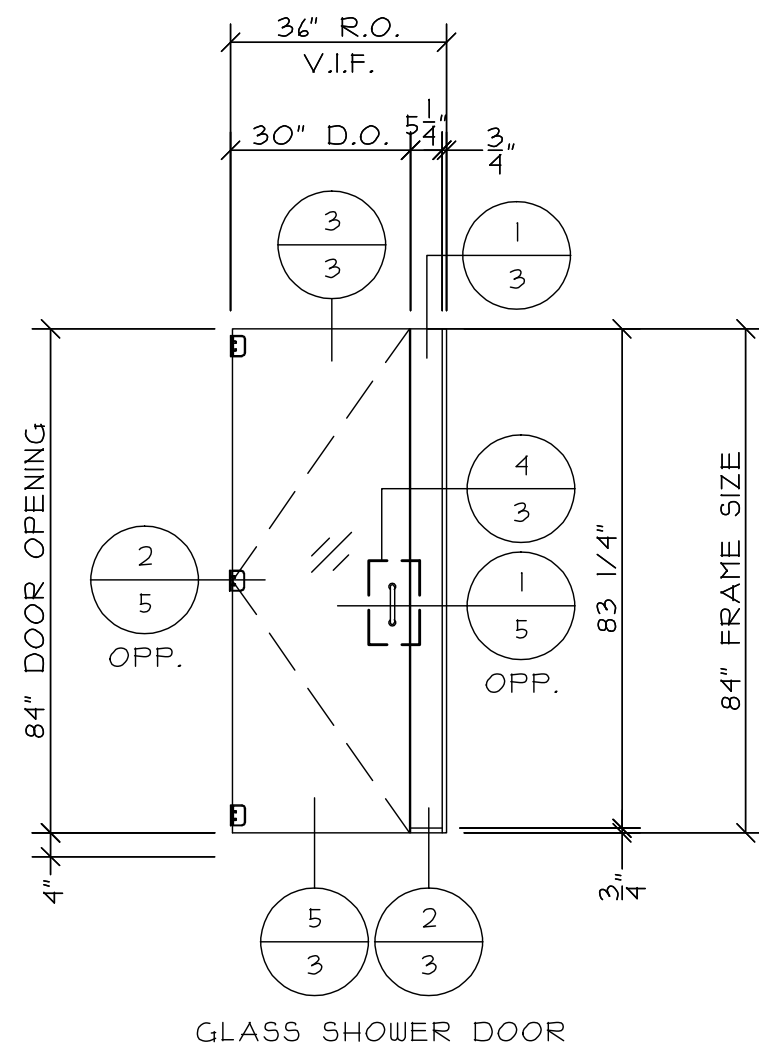
|                                |
|--------------------------------|
| PROJECT: SAMPLE SAMPLE SAMPLE  |
| LOCATION: SAMPLE SAMPLE SAMPLE |

SCALE:  
3/8" = 1'-0"

DATE:  
SAMPLE

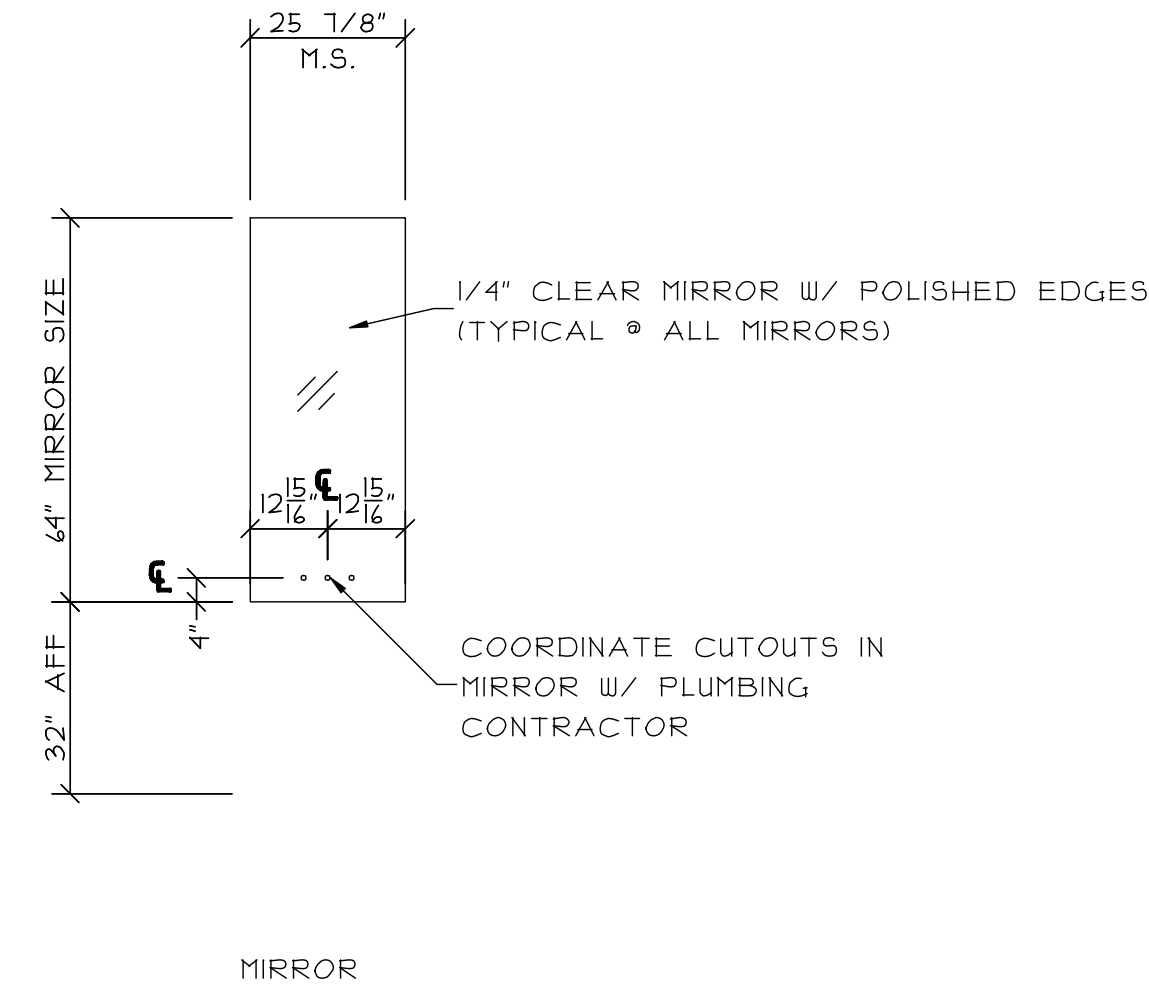
DRAWN:  
SAMPLE

PAGE:  
1 of 6



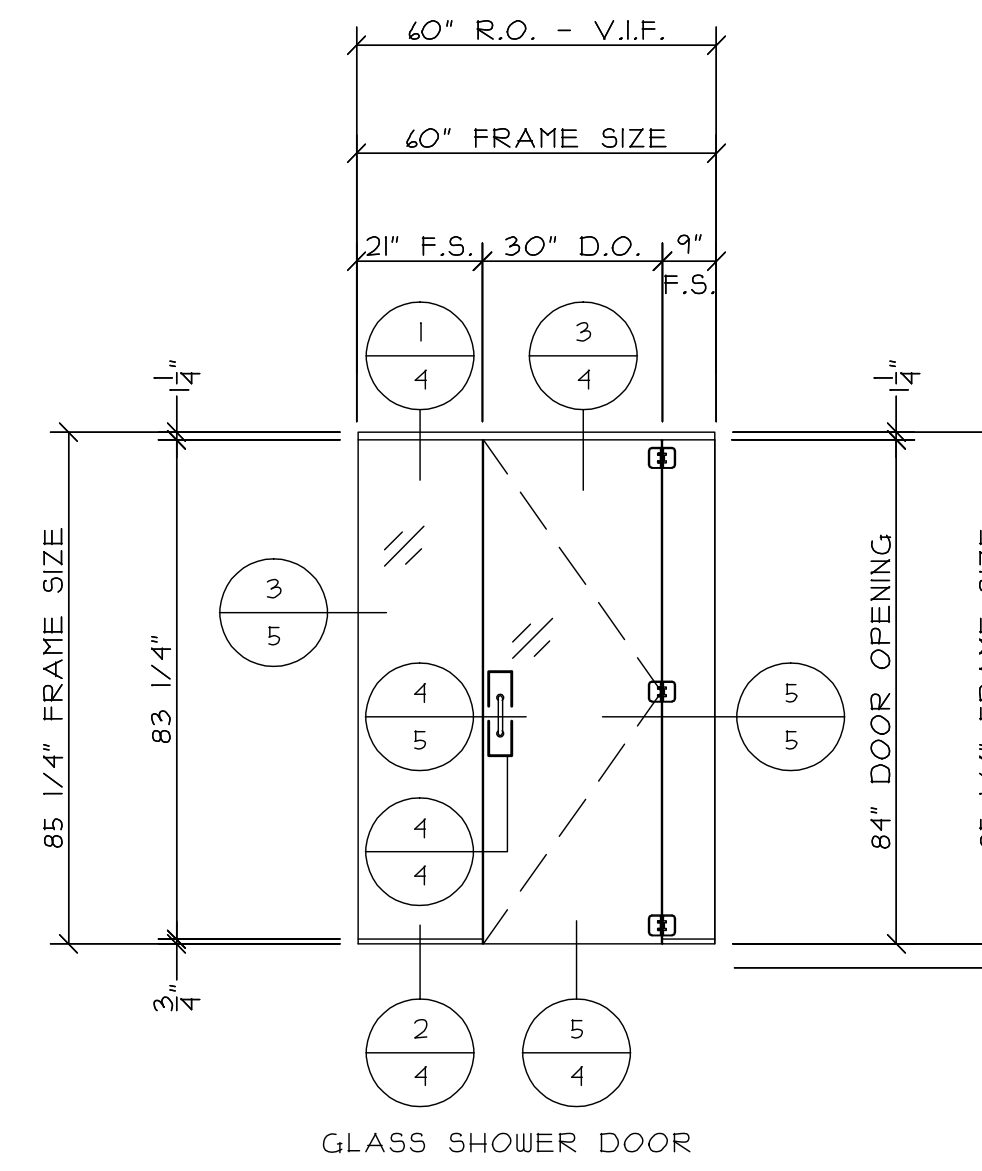
BATHROOM ROOM PLAN - TYPE 3  
16 TOTAL (32 MIRRORS)

ROOM #8 \* FLRS 3-11  
REF: 1/A-501.00



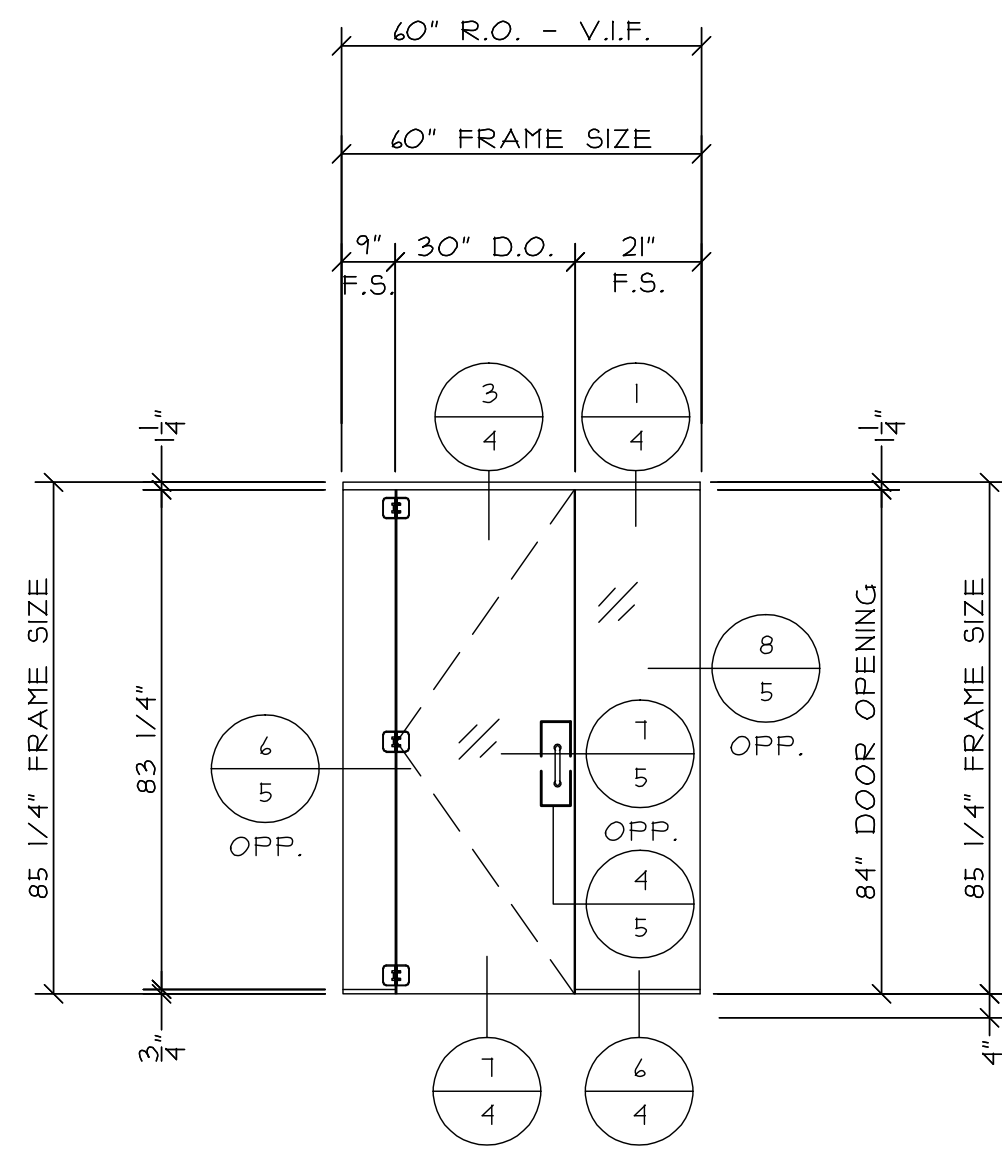
BATHROOM ROOM PLAN - TYPE 4  
8 TOTAL (16 MIRRORS)

ROOM #1 \* FLRS 3-11  
REF: 1/A-502.00



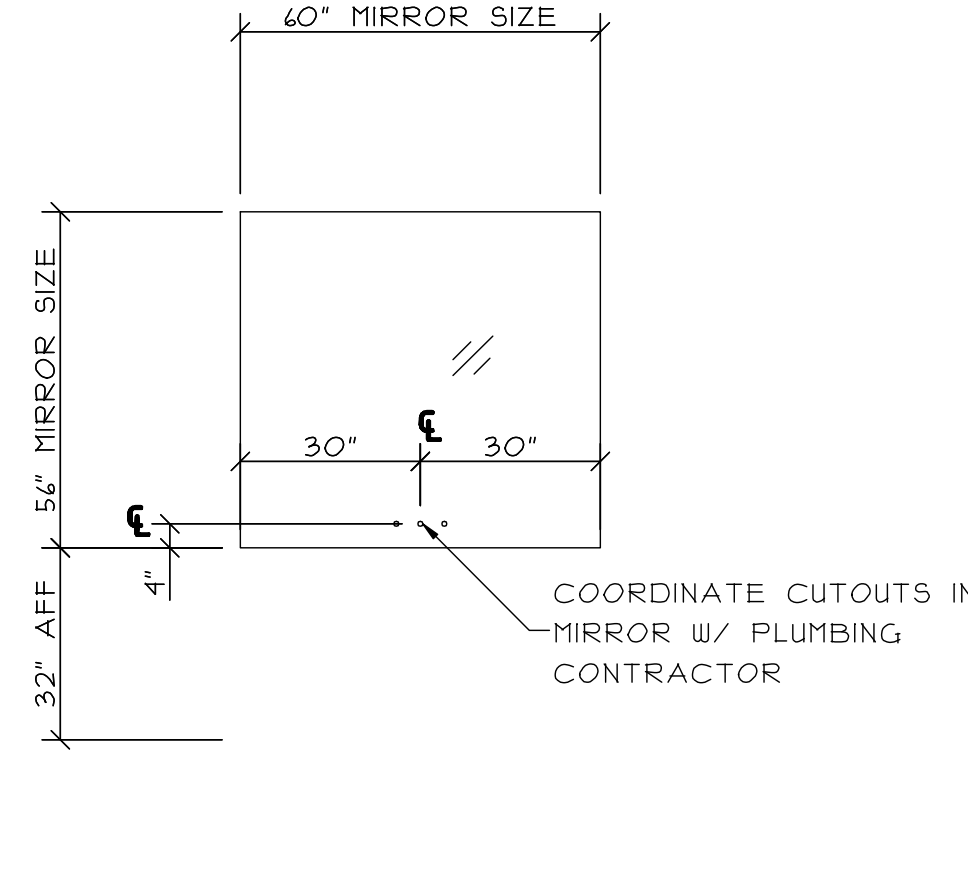
BATHROOM ROOM PLAN - TYPE 5  
1 TOTAL (2 MIRRORS)

ROOM #1 \* 18TH FLR  
REF: 1/A-502.00



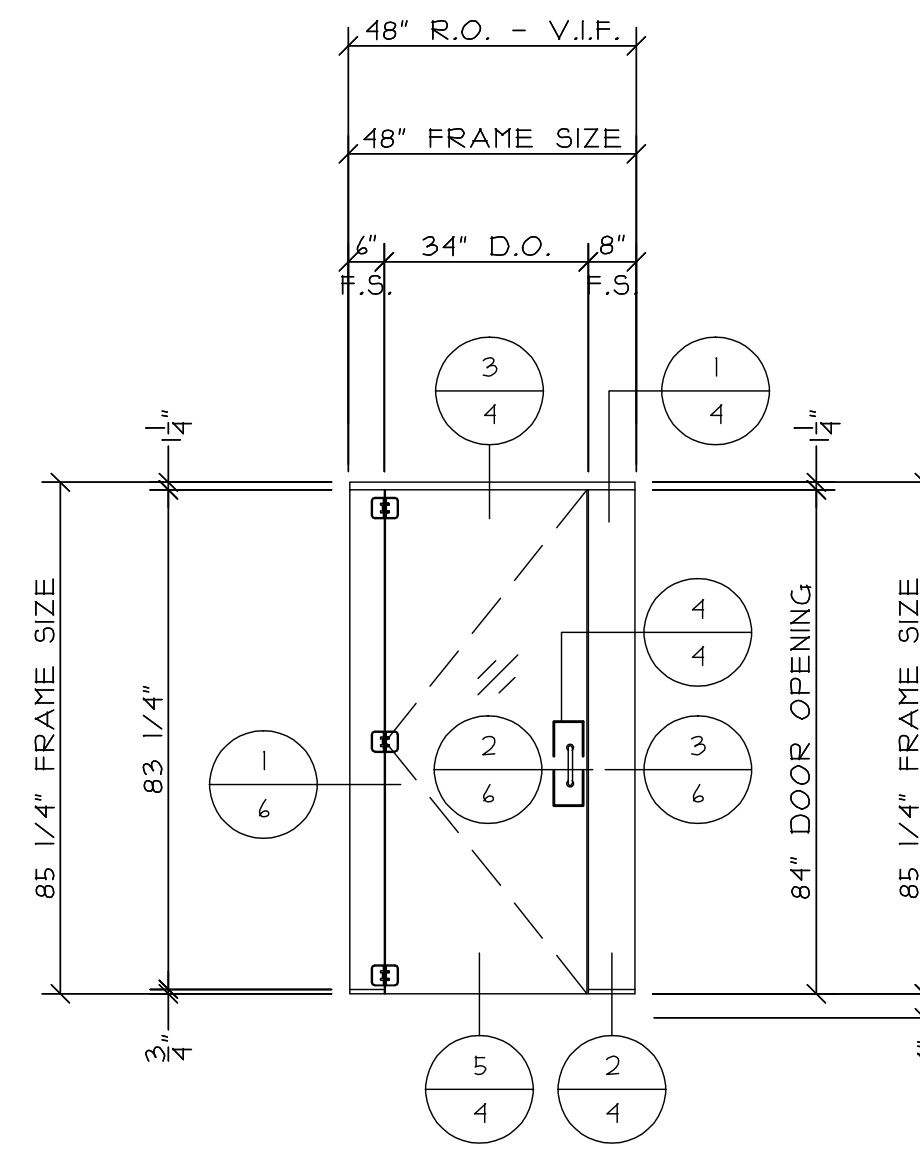
BATHROOM ROOM PLAN - TYPE 6  
1 TOTAL

ROOM #2 \* 18TH FLR  
REF: 1/A-502.00



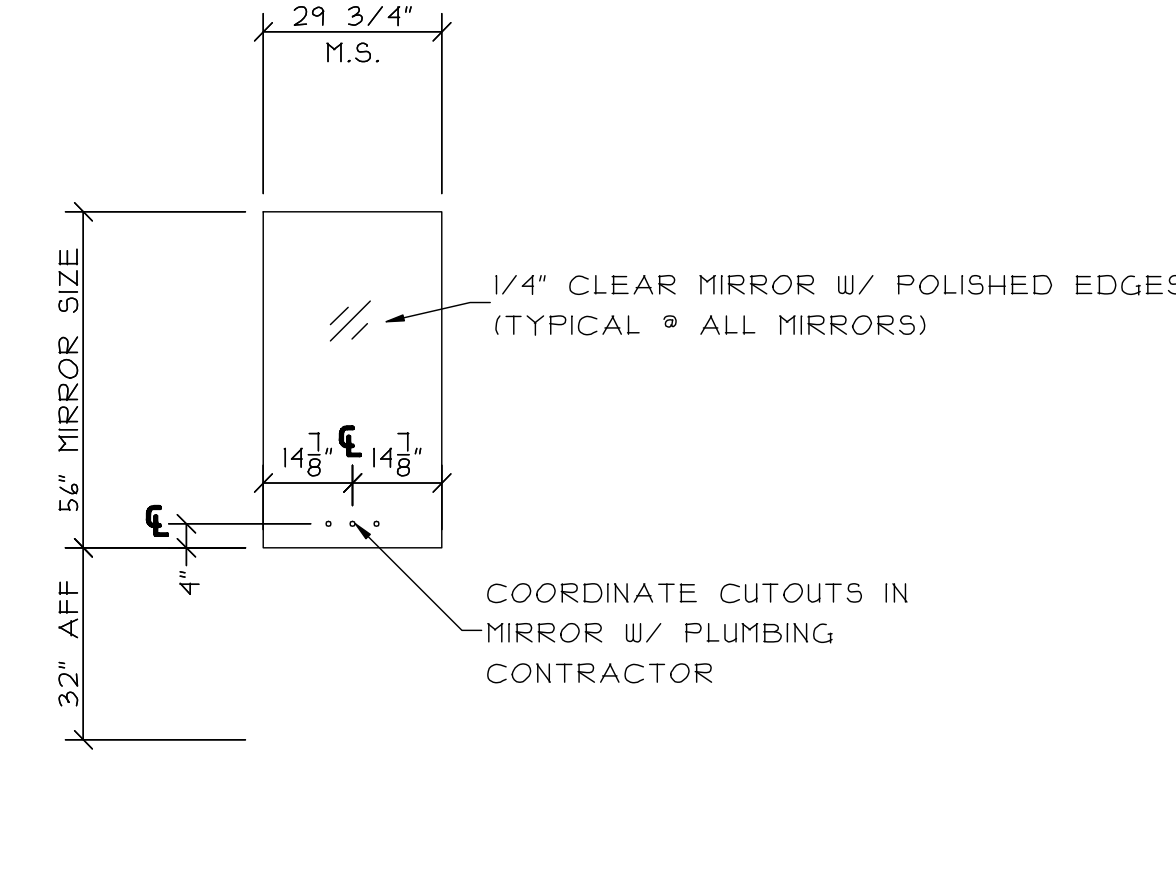
BATHROOM ROOM PLAN - TYPE 7  
1 TOTAL

ROOM #1 \* 19TH FLR  
REF: 1/A-503.00



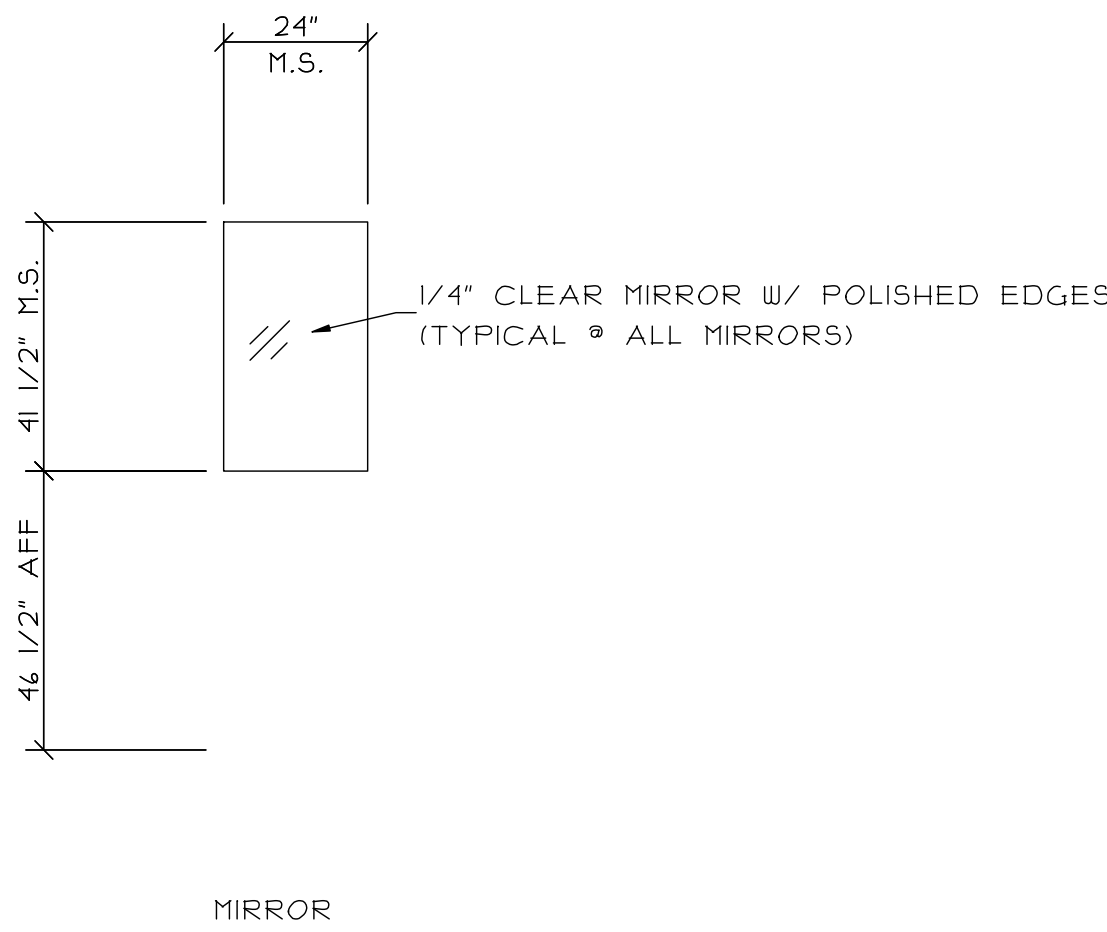
BATHROOM ROOM PLAN - TYPE 8  
3 TOTAL

ROOM MEN & WOMENS \* CELLAR, BATHROOM \* 1ST FLR  
REF: 1/A-503.00



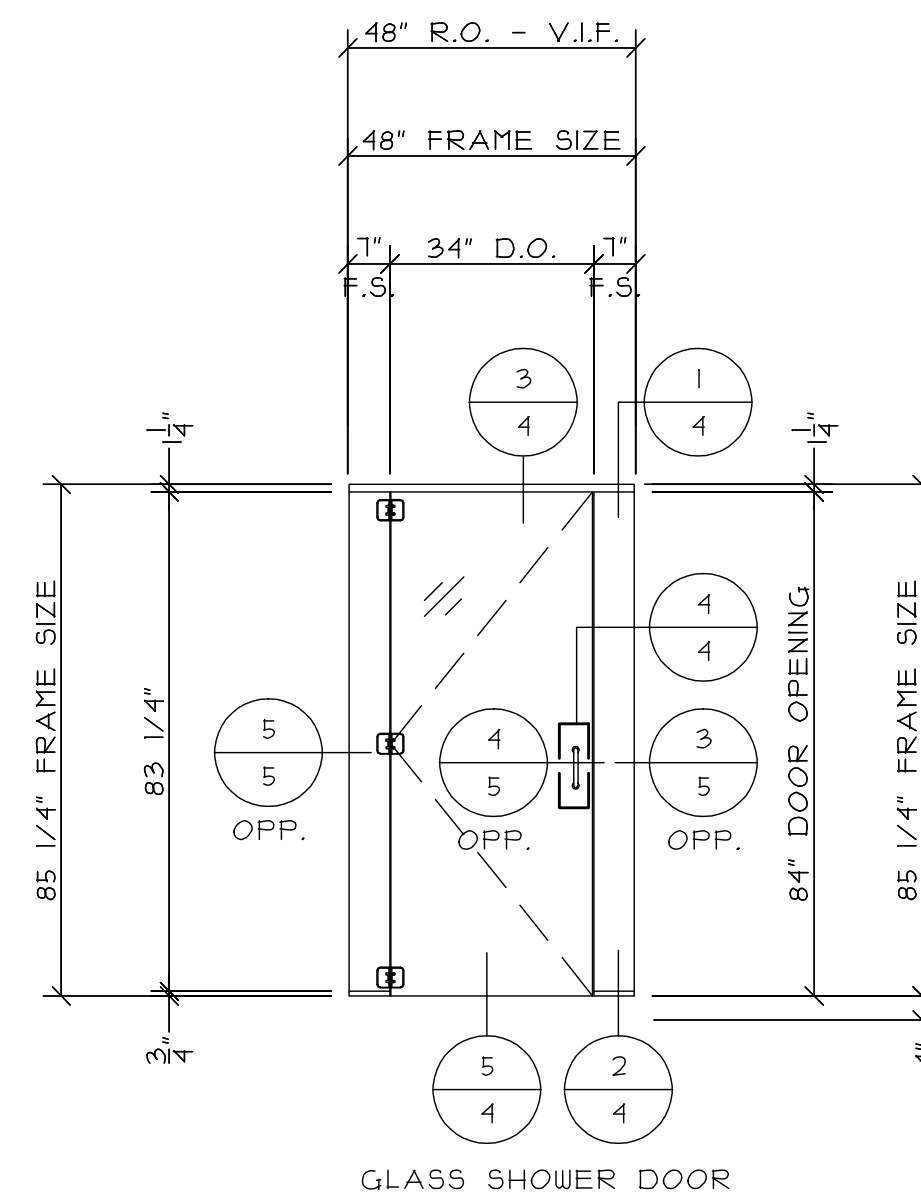
BATHROOM ROOM PLAN - TYPE 9  
3 TOTAL

BATHROOMS \* 1ST FLR, BATHROOM \* 9TH FLR  
REF: 1/A-503.00



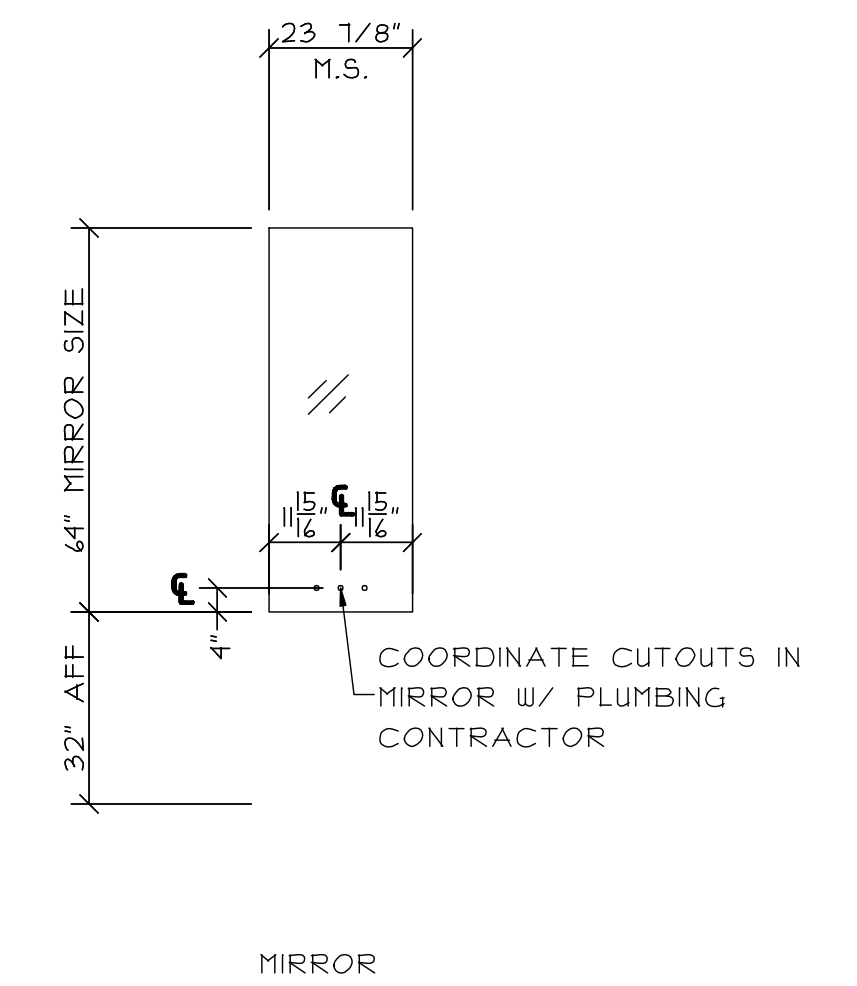
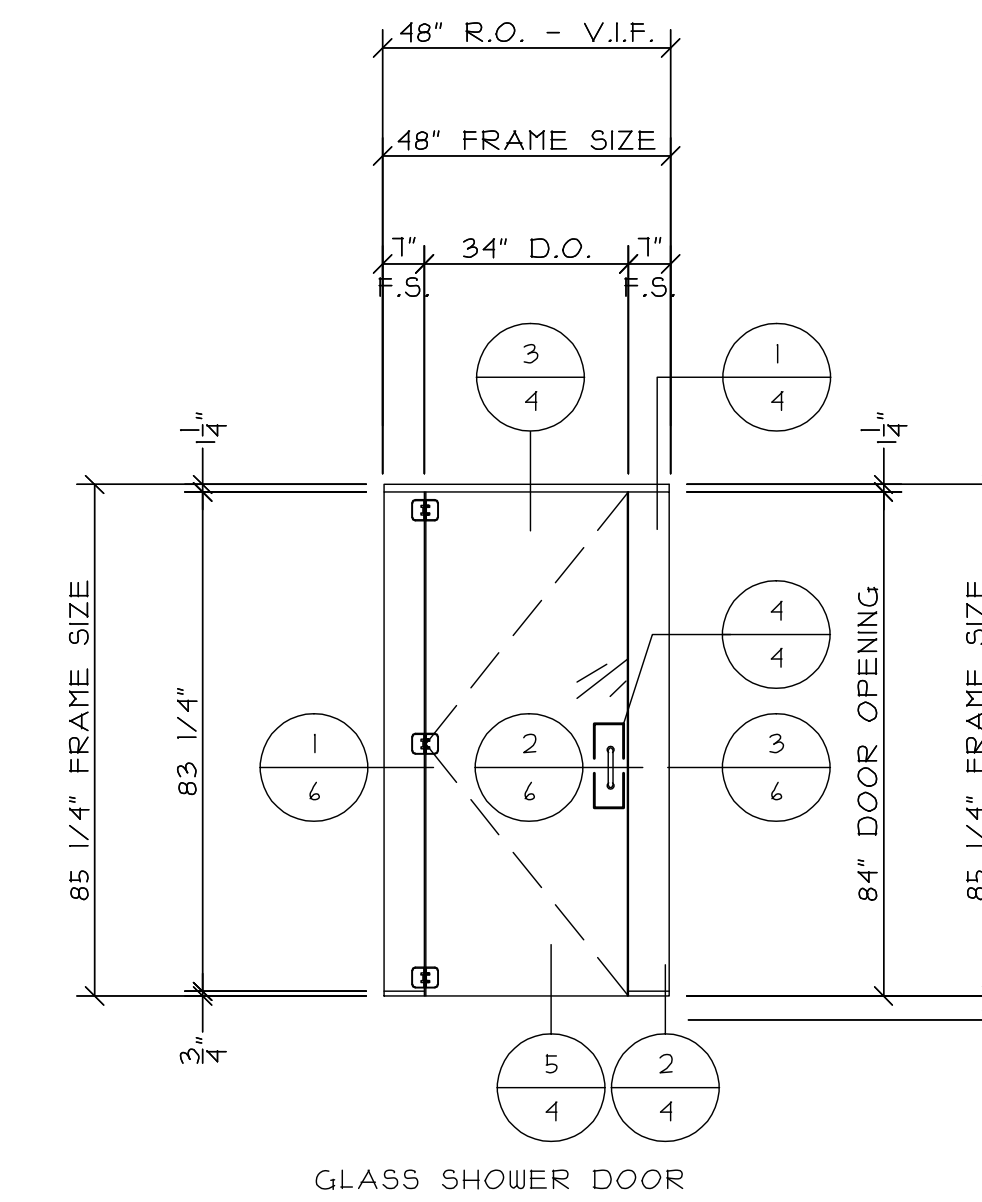
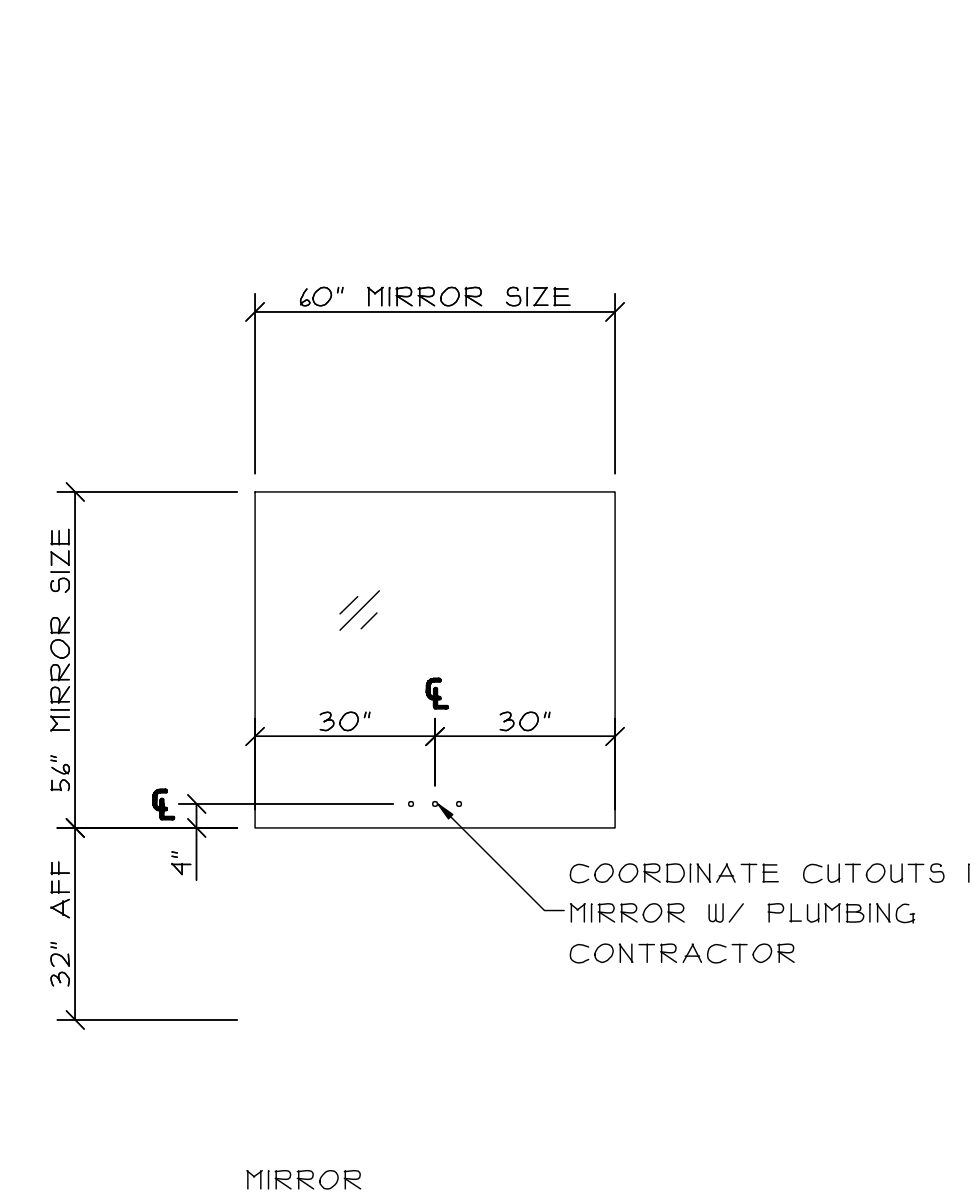
BATHROOM ROOM PLAN - TYPE 10  
1 TOTAL

ROOM #2 \* 19TH FLR  
REF: 1/A-504.00



BATHROOM ROOM PLAN - TYPE 11  
1 TOTAL (14 MIRRORS)

ROOM #1 \* 3RD FLR, ROOM #1 \* 12-11 FLR  
REF: 1/A-504.00



|            |  |
|------------|--|
| DATE:      |  |
| REVISIONS: |  |

|                     |                      |
|---------------------|----------------------|
| GLAZING CONTRACTOR: | SAMPLE SAMPLE SAMPLE |
|                     | SAMPLE SAMPLE SAMPLE |
|                     | SAMPLE SAMPLE SAMPLE |
|                     | SAMPLE SAMPLE SAMPLE |
|                     | SAMPLE SAMPLE SAMPLE |

|            |                      |
|------------|----------------------|
| ARCHITECT: | SAMPLE SAMPLE SAMPLE |
|            | SAMPLE SAMPLE SAMPLE |
|            | SAMPLE SAMPLE SAMPLE |
|            | SAMPLE SAMPLE SAMPLE |
|            | SAMPLE SAMPLE SAMPLE |

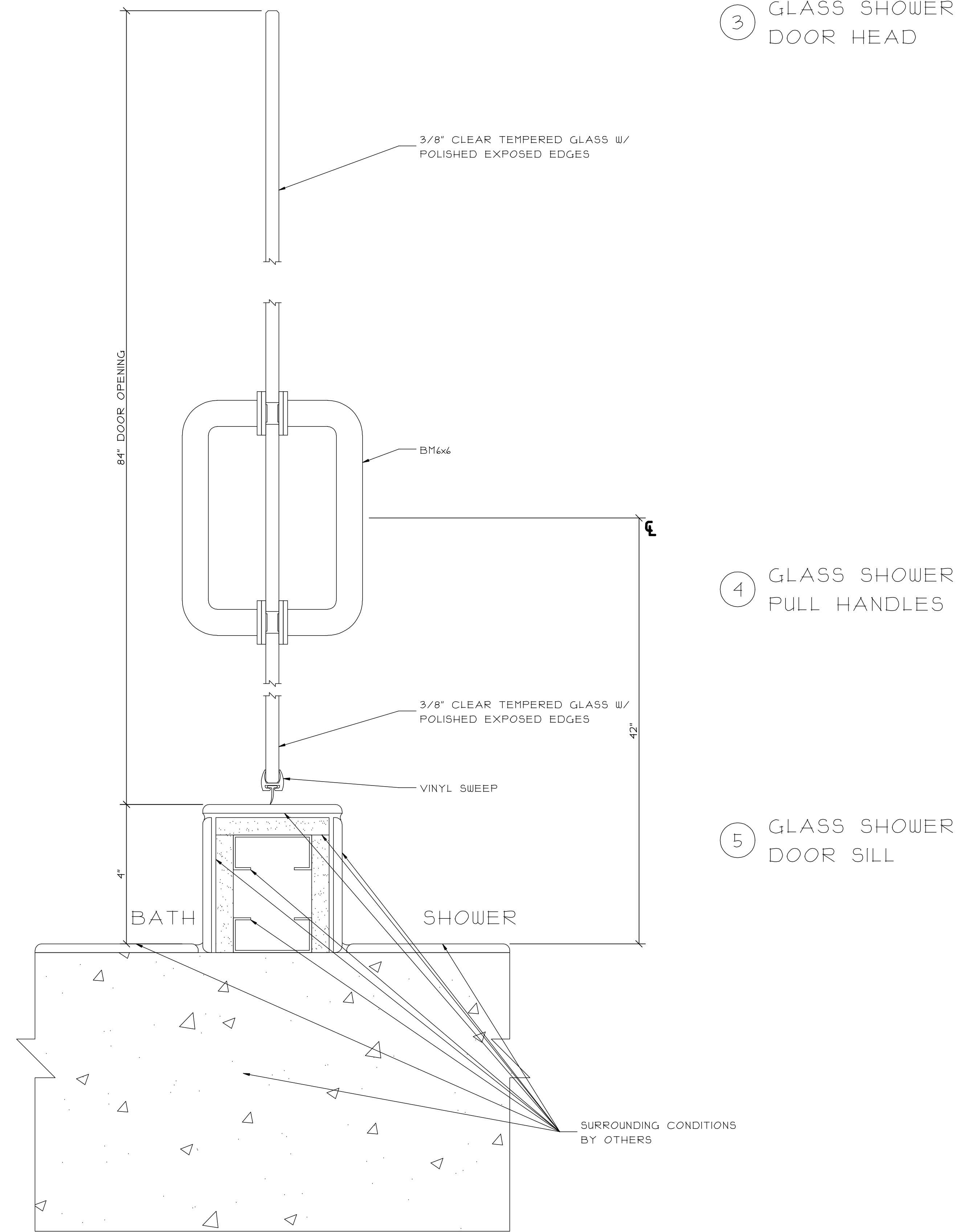
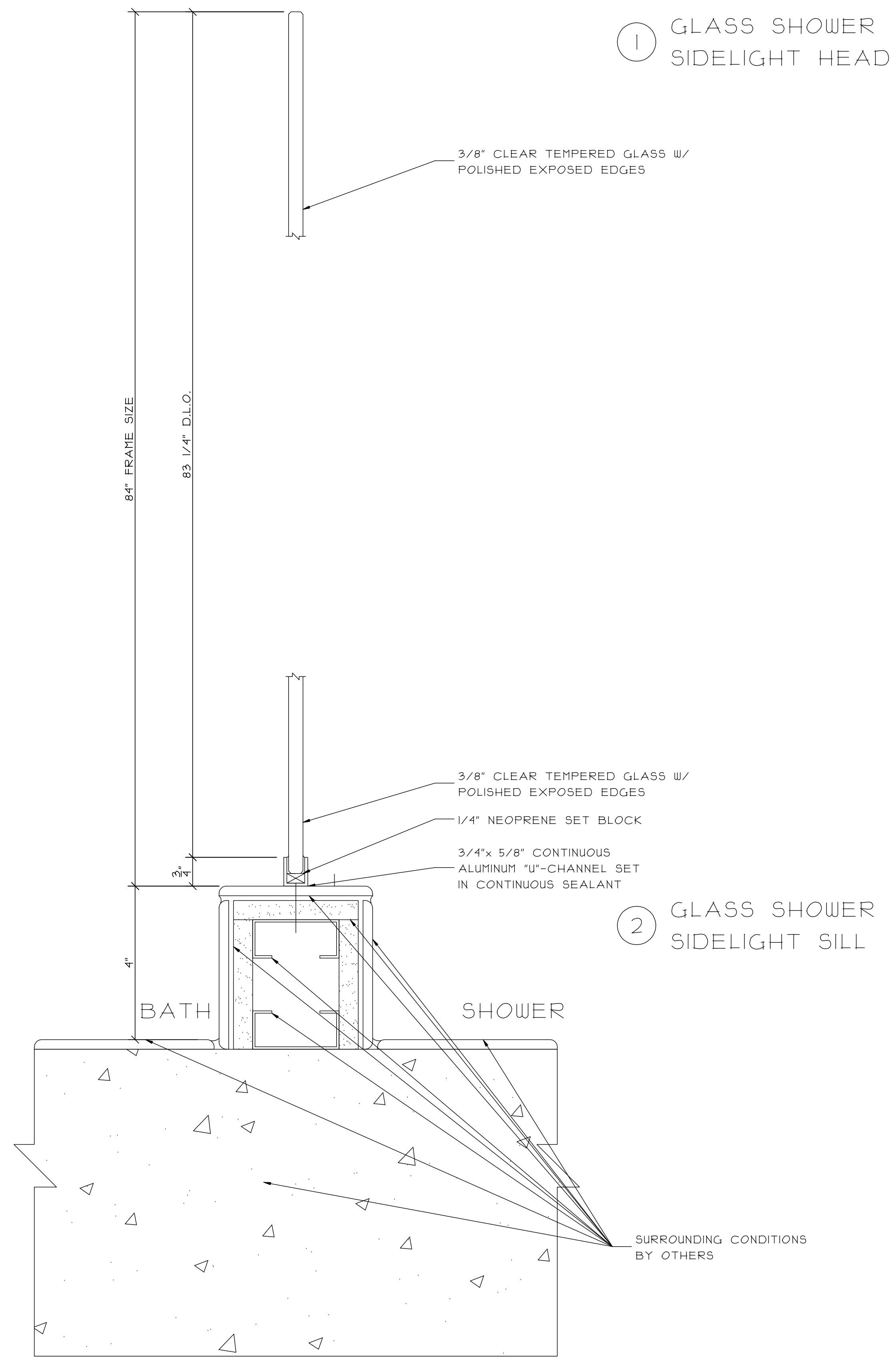
|           |                      |
|-----------|----------------------|
| PROJECT:  | SAMPLE SAMPLE SAMPLE |
| LOCATION: | SAMPLE SAMPLE SAMPLE |

SCALE:  
3/8" = 1'-0"

DATE:  
SAMPLE

DRAWN:  
SAMPLE

PAGE:  
2 of 6



| REVISIONS: | DATE: |
|------------|-------|
|            |       |
|            |       |
|            |       |
|            |       |

| GLAZING CONTRACTOR:  |
|----------------------|
| SAMPLE SAMPLE SAMPLE |
| SAMPLE SAMPLE SAMPLE |
| SAMPLE SAMPLE SAMPLE |
| SAMPLE SAMPLE SAMPLE |
| SAMPLE SAMPLE SAMPLE |

| ARCHITECT:           |
|----------------------|
| SAMPLE SAMPLE SAMPLE |
| SAMPLE SAMPLE SAMPLE |
| SAMPLE SAMPLE SAMPLE |
| SAMPLE SAMPLE SAMPLE |
| SAMPLE SAMPLE SAMPLE |

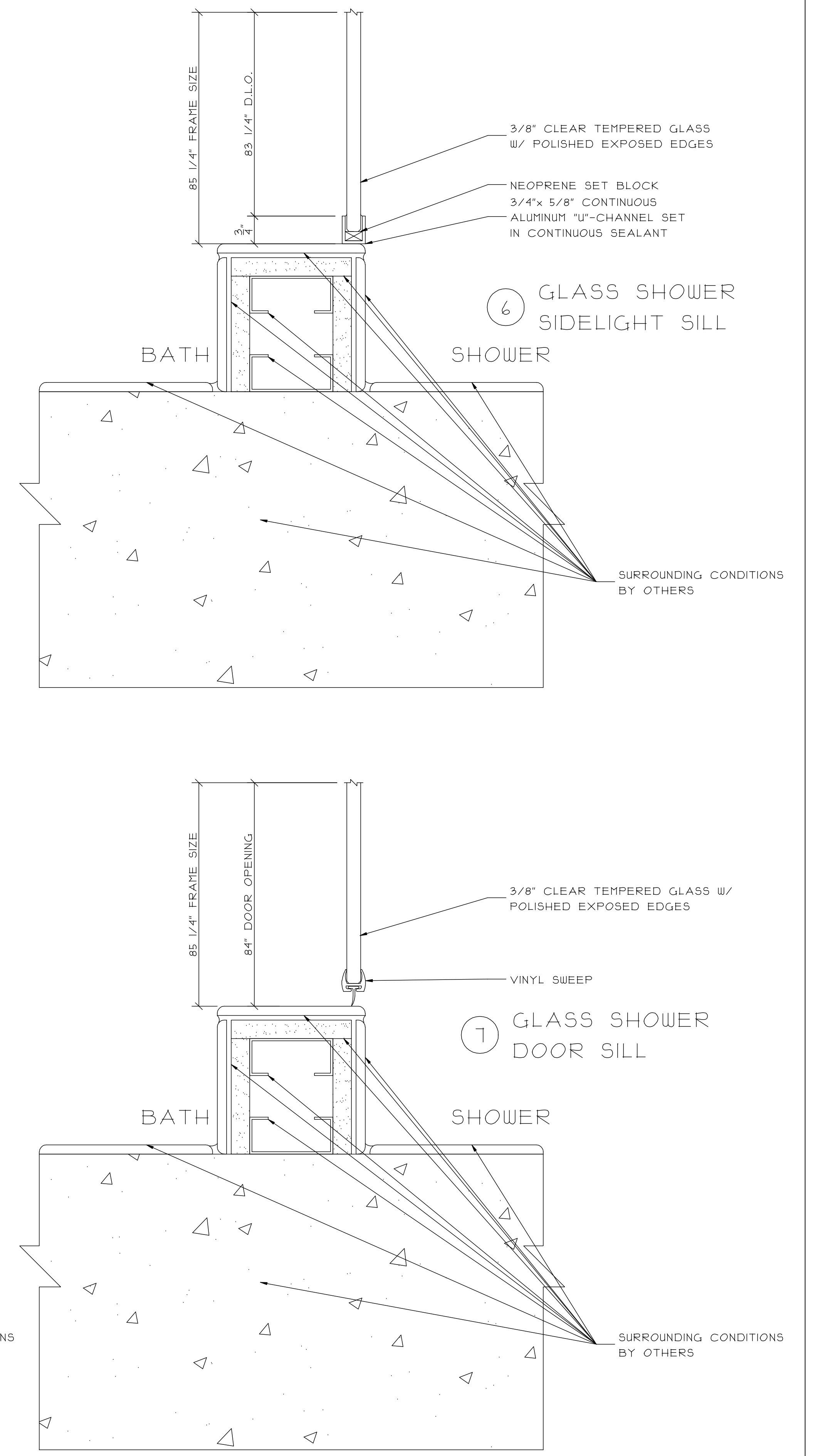
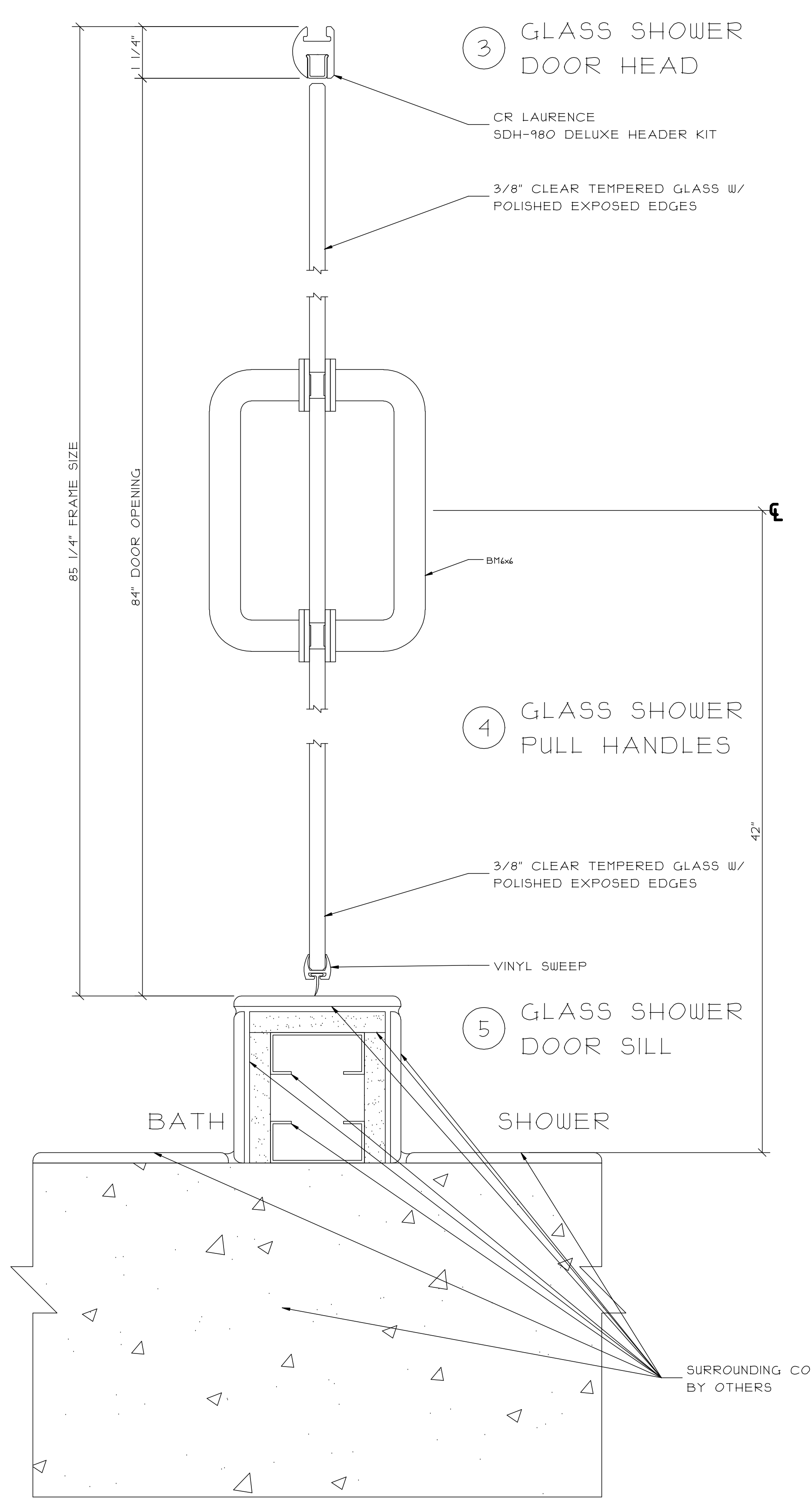
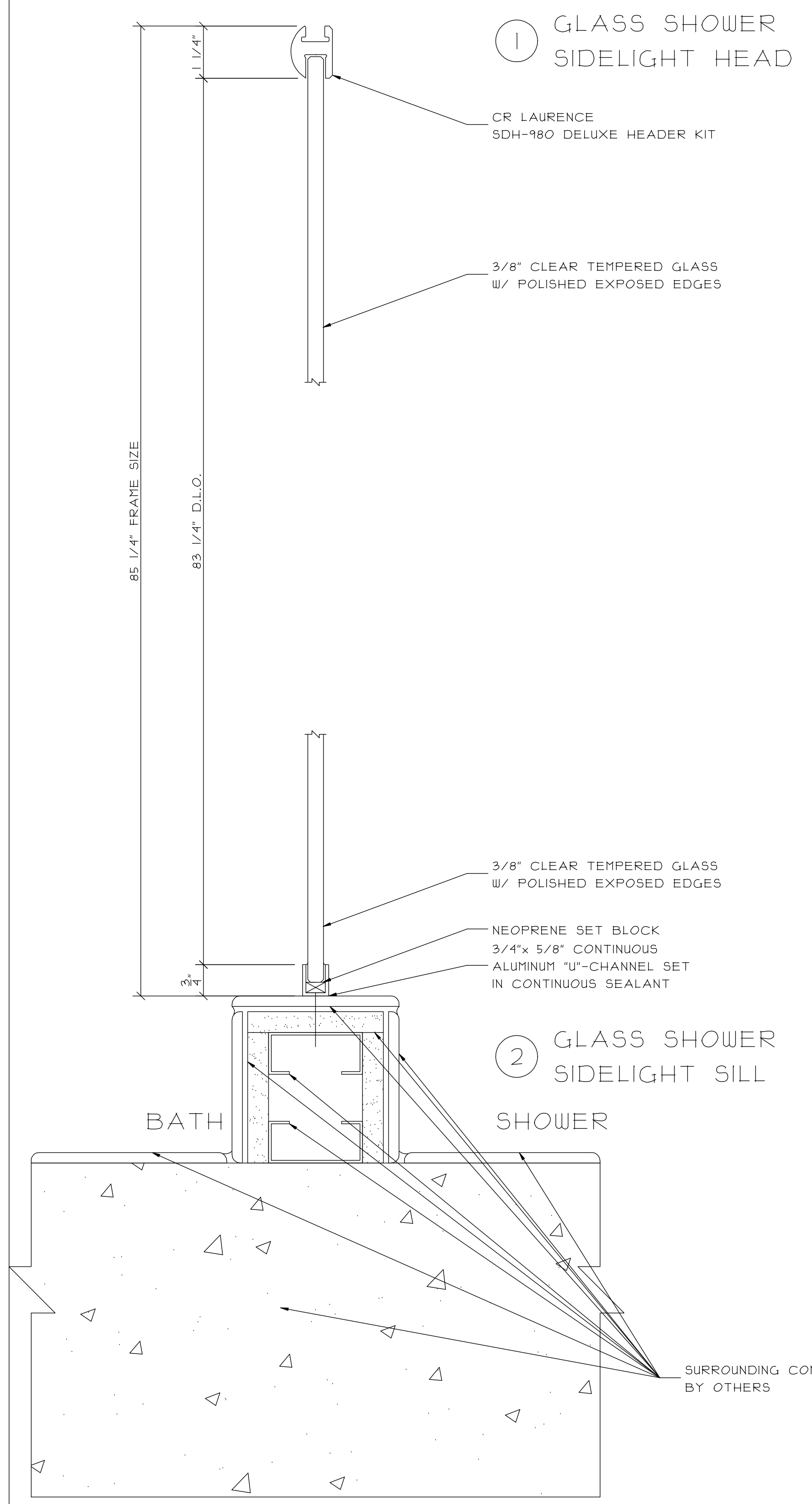
| PROJECT:             | LOCATION:            |
|----------------------|----------------------|
| SAMPLE SAMPLE SAMPLE | SAMPLE SAMPLE SAMPLE |
| SAMPLE SAMPLE SAMPLE | SAMPLE SAMPLE SAMPLE |

SCALE:  
6" = 1'-0"

DATE:  
SAMPLE

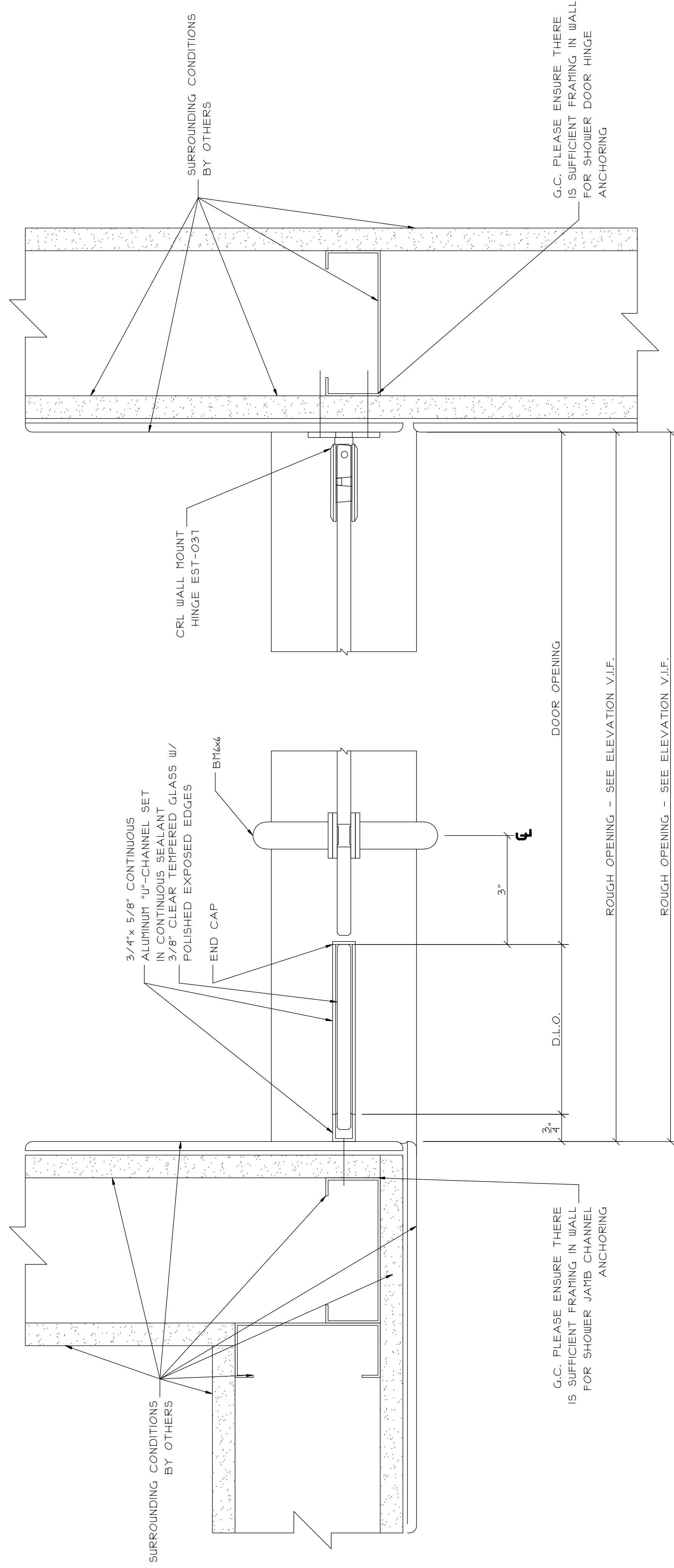
DRAWN:  
SAMPLE

PAGE:  
3 of 6

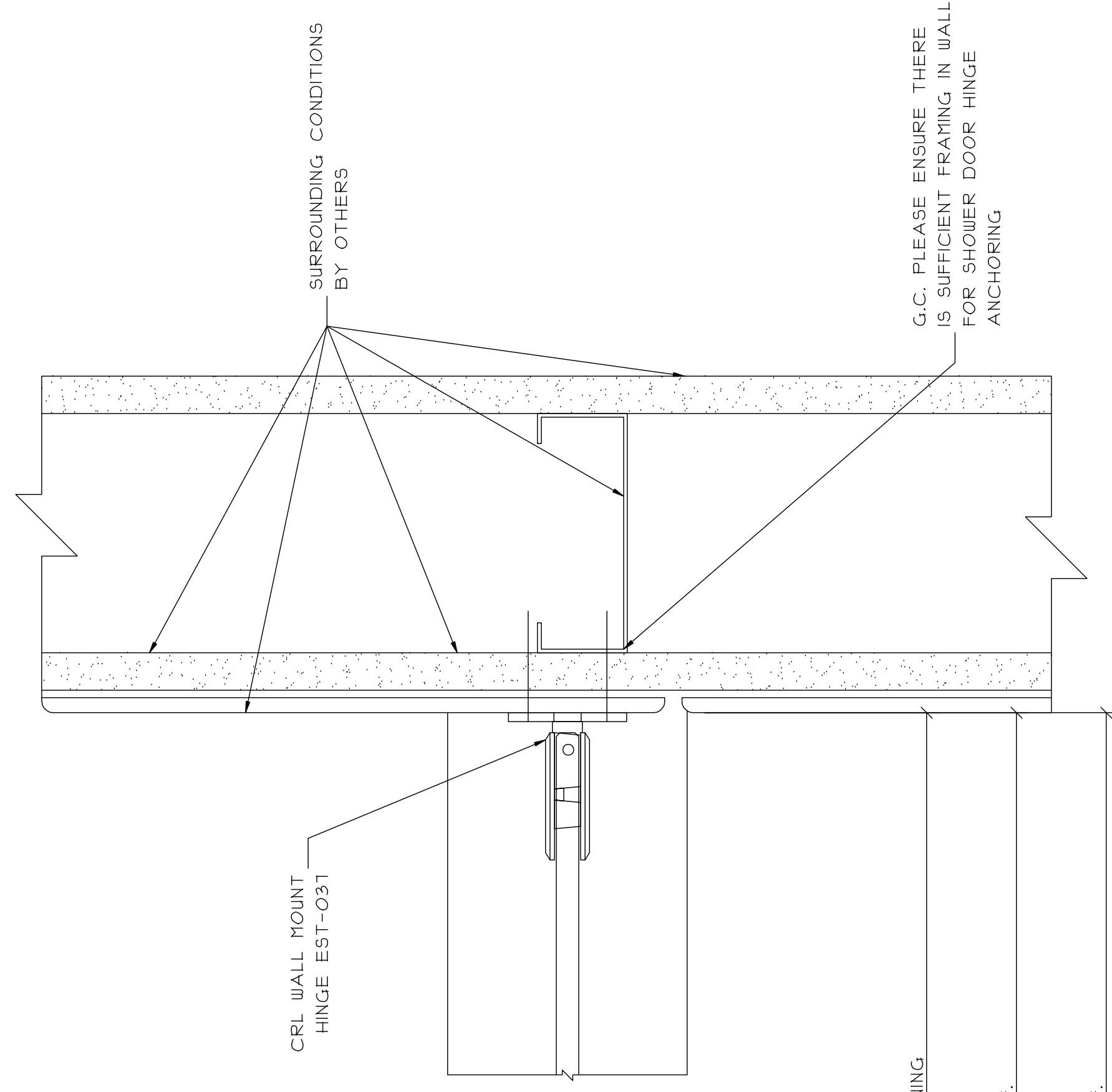


|                     |                      |
|---------------------|----------------------|
| REVISIONS:          | DATE:                |
| GLAZING CONTRACTOR: | SAMPLE SAMPLE SAMPLE |
| ARCHITECT:          | SAMPLE SAMPLE SAMPLE |
| PROJECT:            | SAMPLE SAMPLE SAMPLE |
| LOCATION:           | SAMPLE SAMPLE SAMPLE |
| SCALE:              | 6" = 1'-0"           |
| DATE:               | SAMPLE               |
| DRAWN:              | SAMPLE               |
| PAGE:               | 4 of 6               |

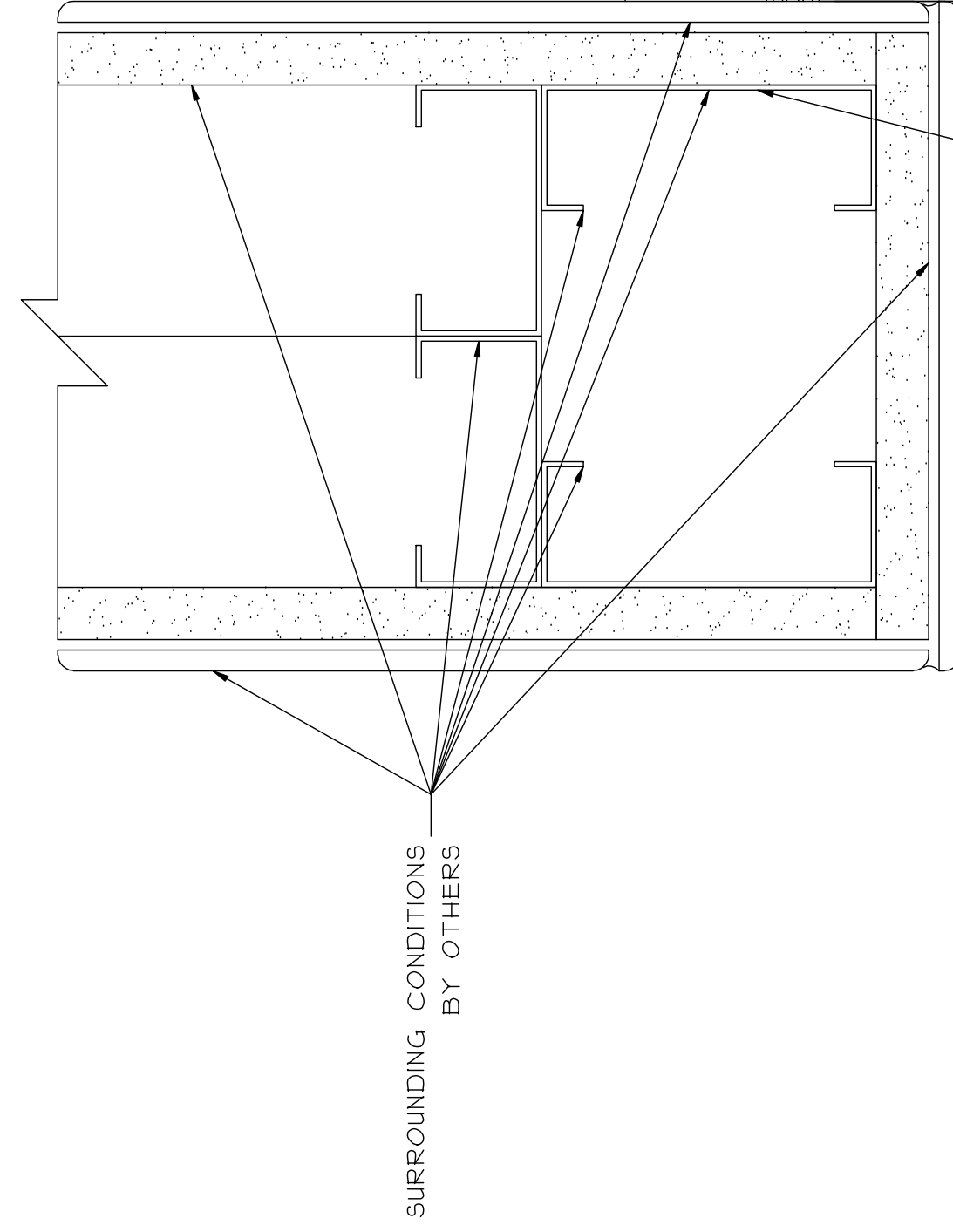
① GLASS SHOWER JAMB  
W/ DOOR JAMB



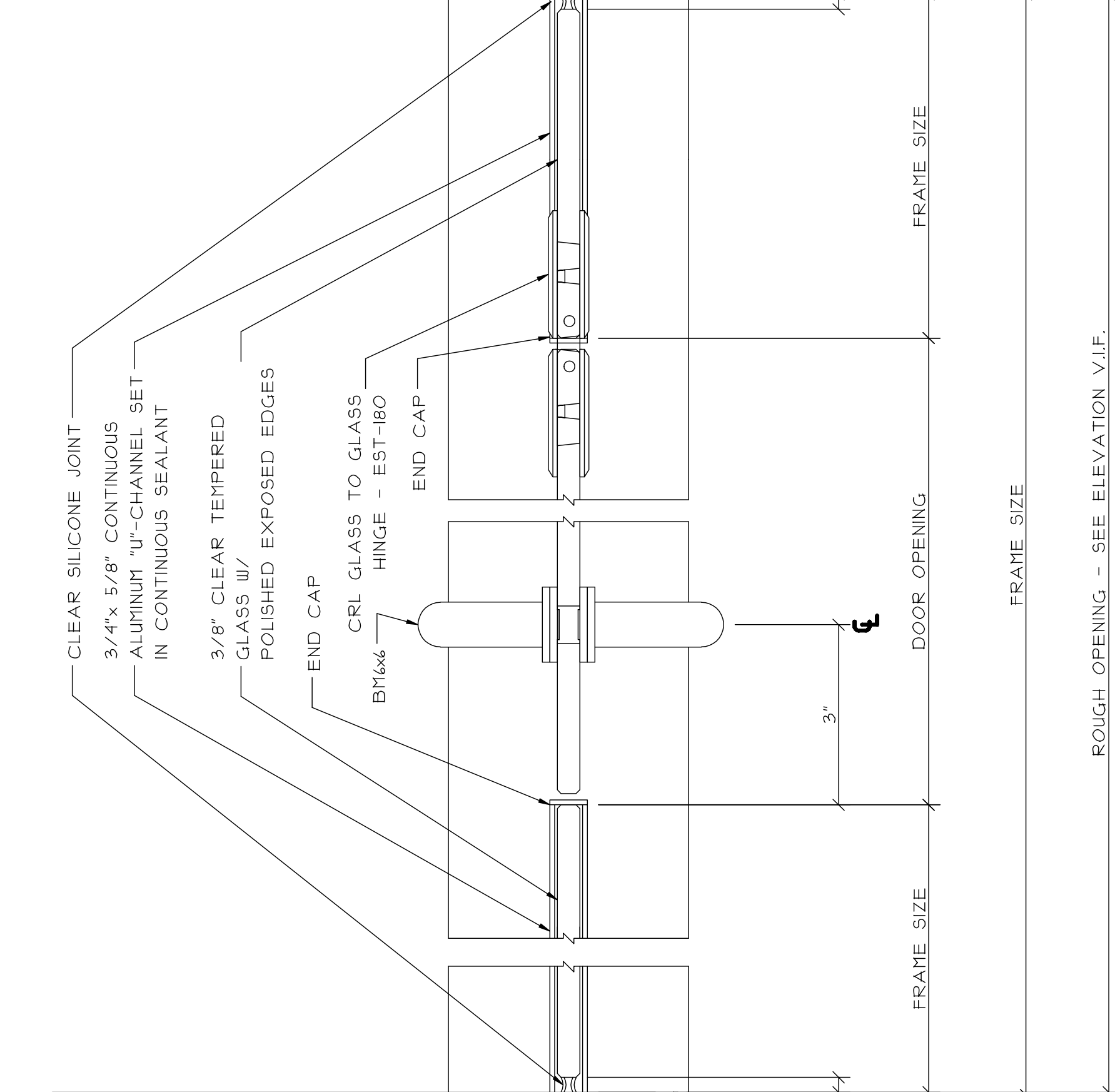
② GLASS SHOWER  
DOOR JAMB



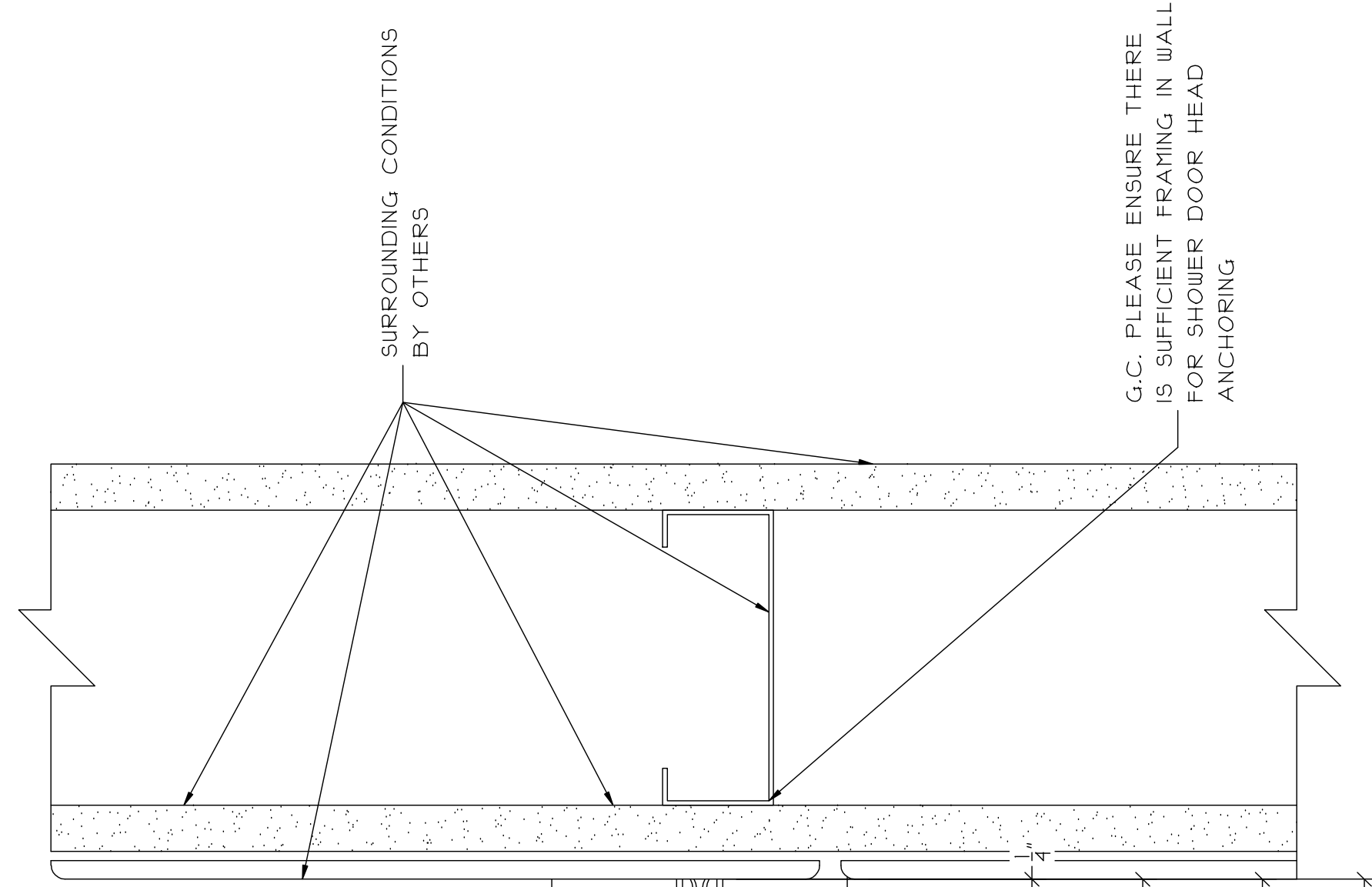
③ GLASS SHOWER JAMB



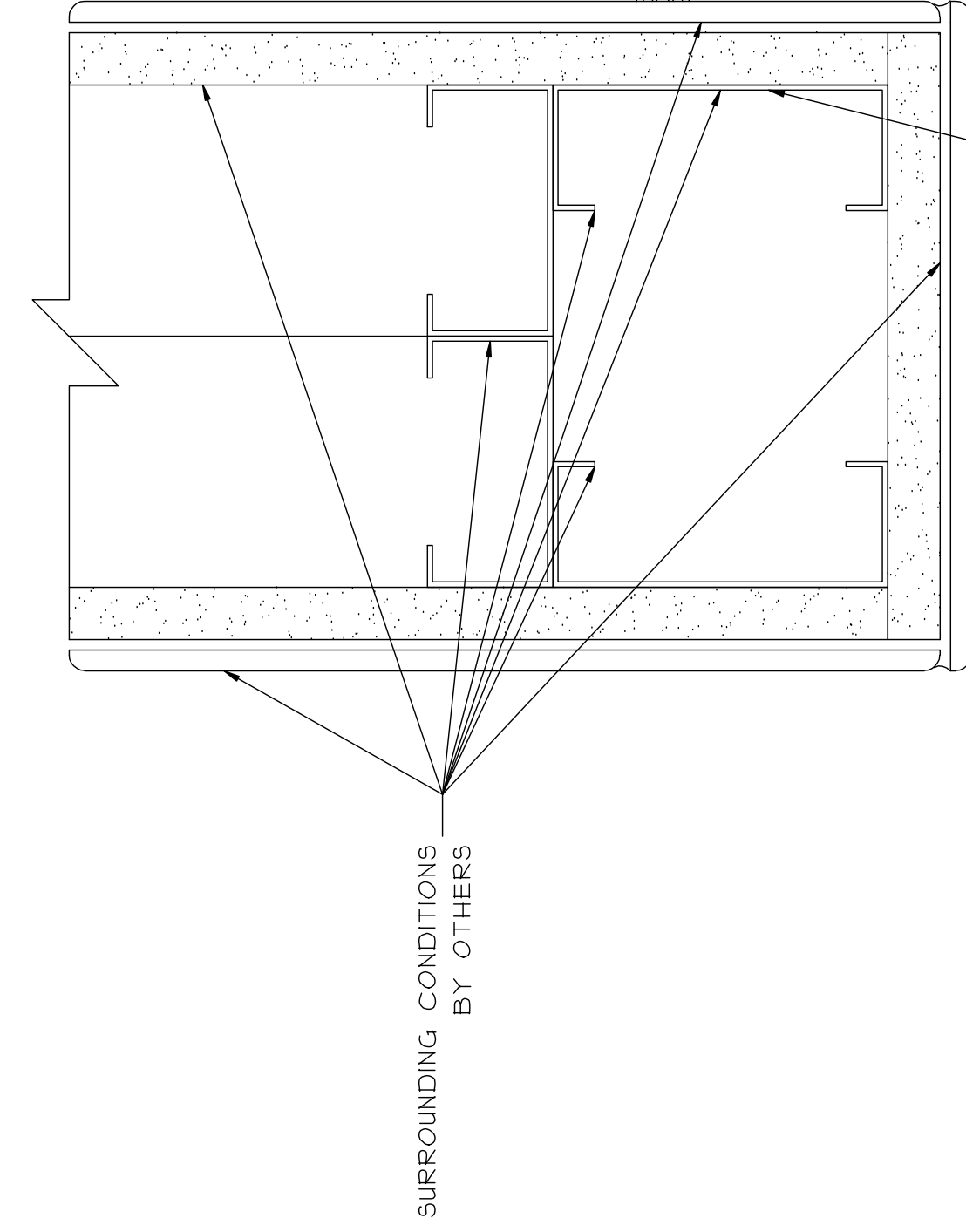
④ GLASS SHOWER DOOR  
JAMB W/ SIDELIGHT



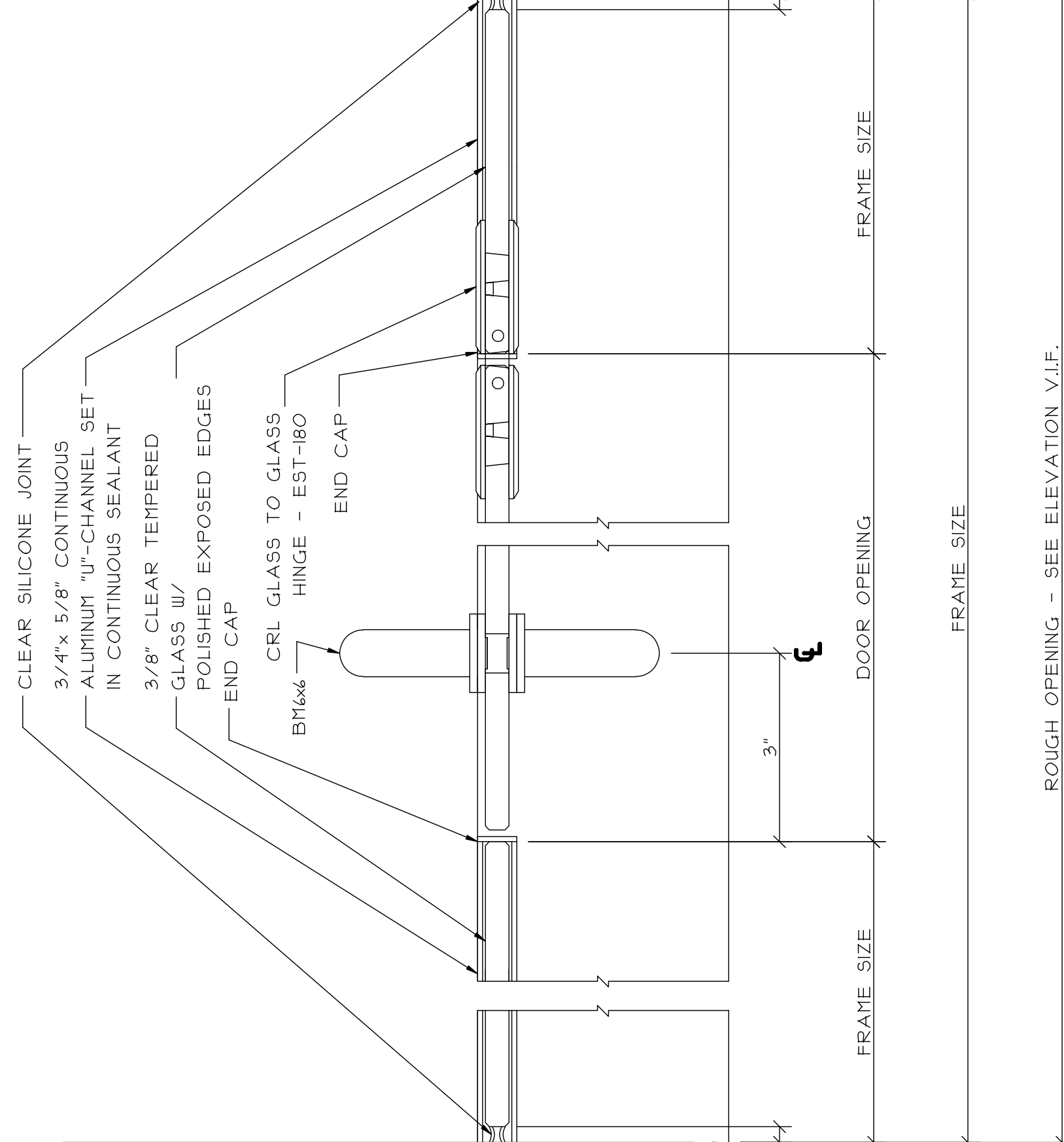
⑤ GLASS SHOWER JAMB  
W/ DOOR JAMB



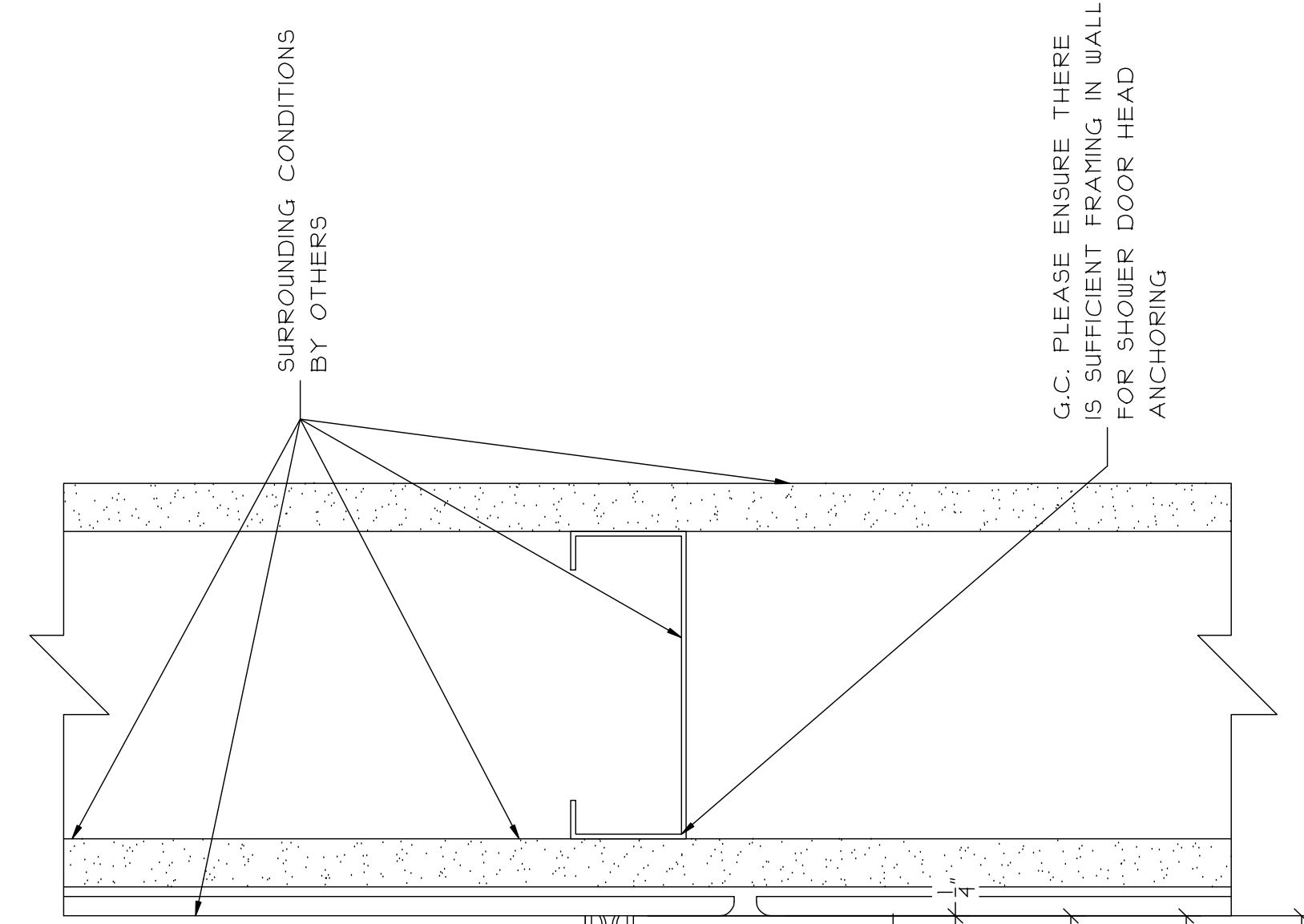
⑥ GLASS SHOWER JAMB



⑦ GLASS SHOWER DOOR  
JAMB W/ SIDELIGHT



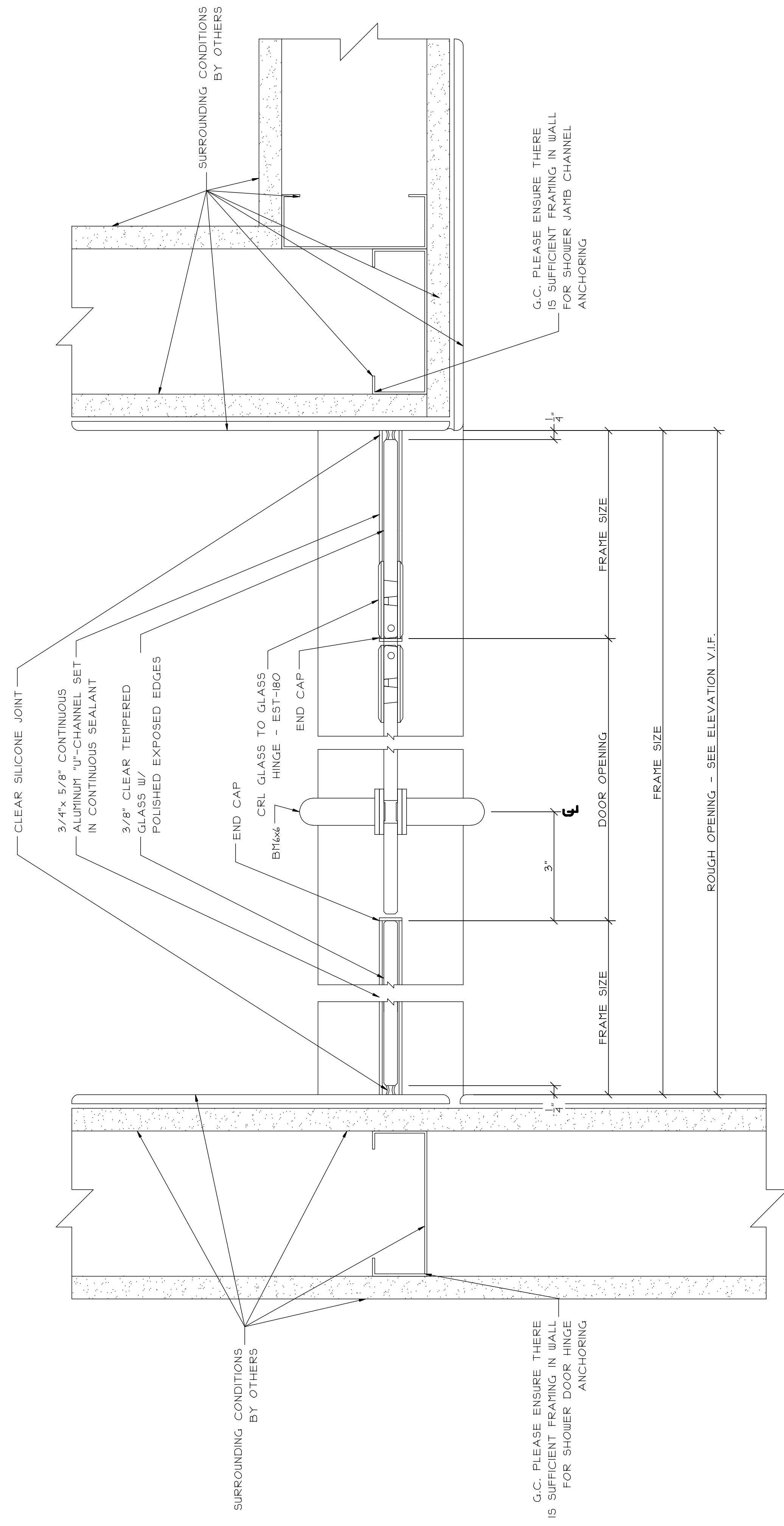
⑧ GLASS SHOWER JAMB  
W/ DOOR JAMB



① GLASS SHOWER JAMB

② GLASS SHOWER DOOR JAMB W/ SIDELIGHT

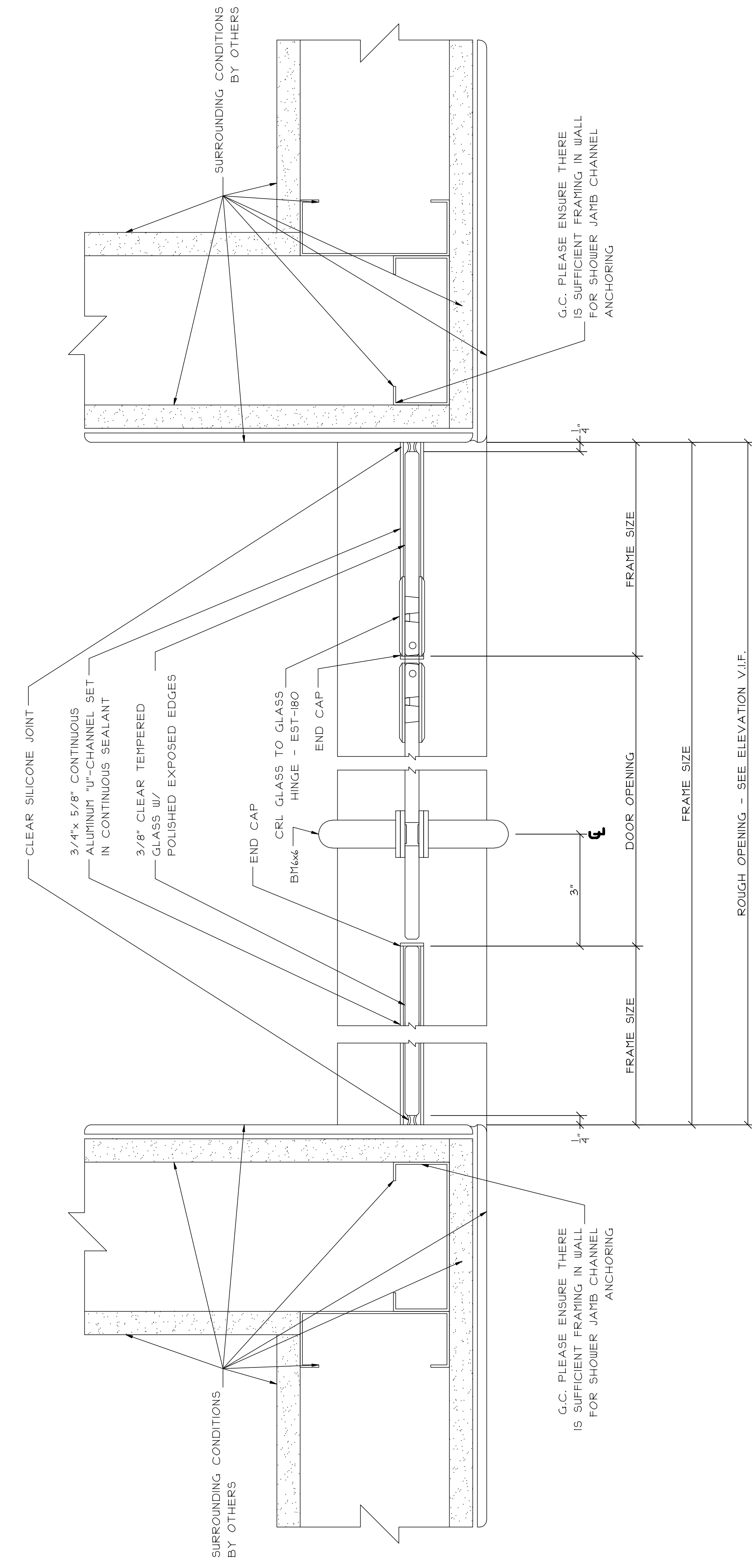
③ GLASS SHOWER JAMB W/ DOOR JAMB



④ GLASS SHOWER JAMB

⑤ GLASS SHOWER DOOR JAMB W/ SIDELIGHT

⑥ GLASS SHOWER JAMB W/ DOOR JAMB



SCALE:  
6" = 1'-0"

DATE:  
SAMPLE

DRAWN:  
SAMPLE

PAGE:  
6 of 6

PROJECT: SAMPLE SAMPLE SAMPLE

LOCATION: SAMPLE SAMPLE SAMPLE

ARCHITECT:  
SAMPLE SAMPLE SAMPLE  
SAMPLE SAMPLE SAMPLE  
SAMPLE SAMPLE SAMPLE  
SAMPLE SAMPLE SAMPLE

GLAZING CONTRACTOR:  
SAMPLE SAMPLE SAMPLE  
SAMPLE SAMPLE SAMPLE  
SAMPLE SAMPLE SAMPLE  
SAMPLE SAMPLE SAMPLE

REVISIONS:

|  |  |
|--|--|
|  |  |
|  |  |
|  |  |
|  |  |
|  |  |

DATE: