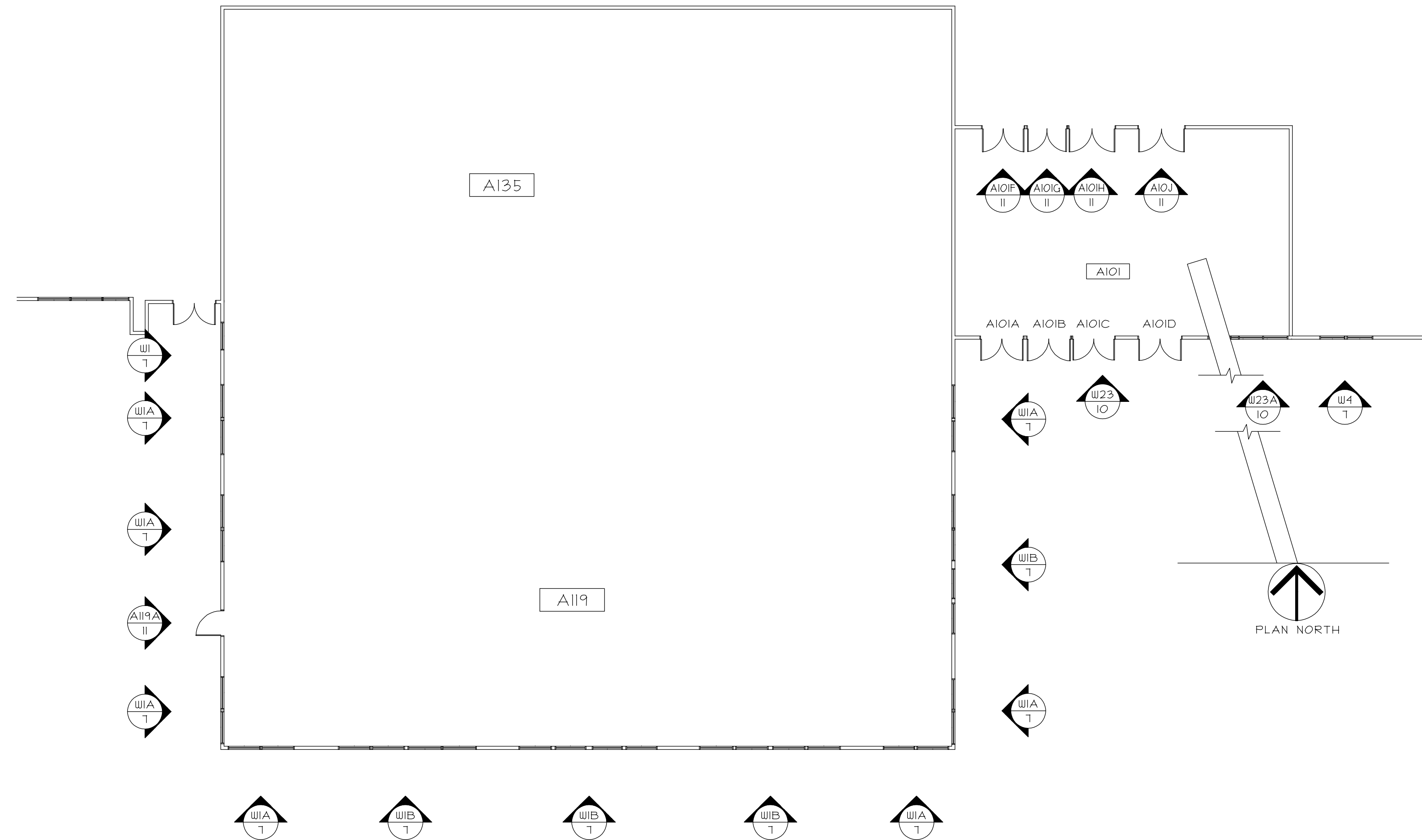


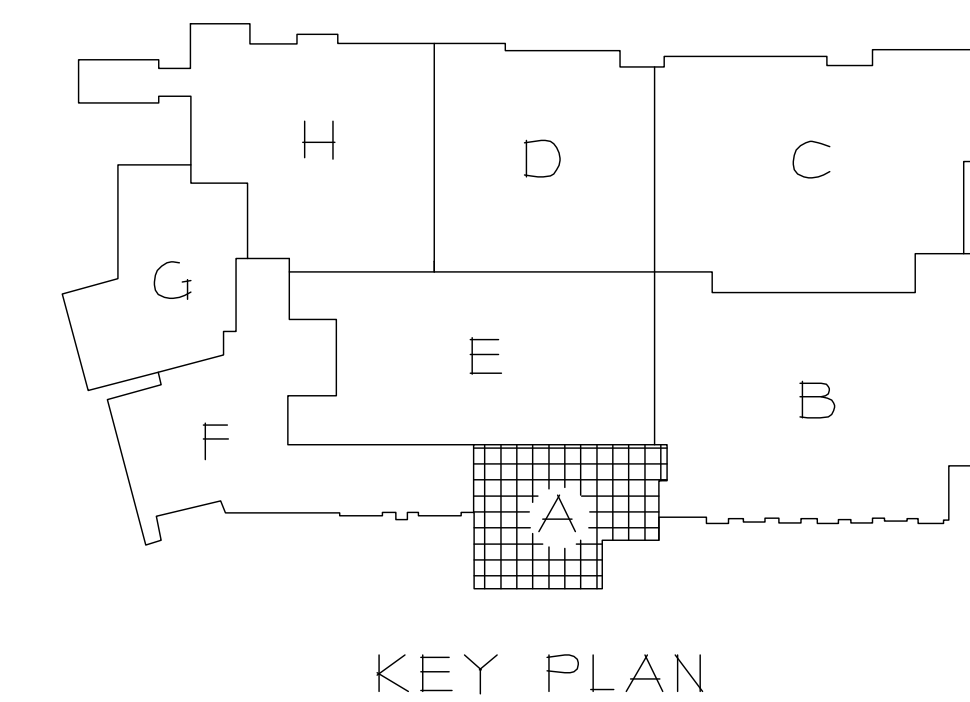
STOREFRONTS, CURTAIN WALLS, ENTRANCES AND SUN SHADES

GENERAL NOTES:

I. GENERAL NOTES



PARTIAL FIRST FLOOR PLAN
AT AREA "A"



KEY PLAN

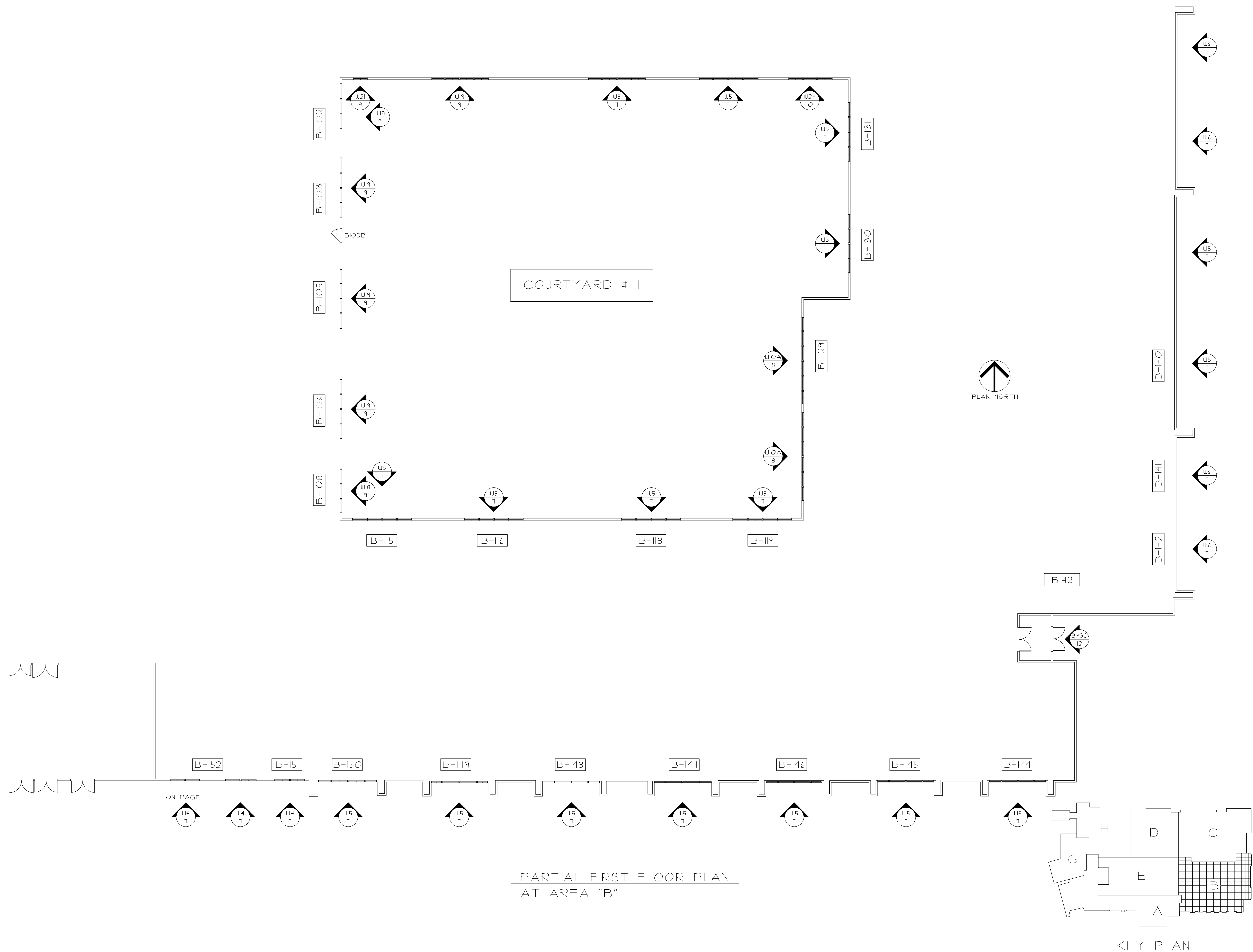
REVISIONS	DATE

GLAZING CONTRACTOR:
SAMPLE SAMPLE SAMPLE
SAMPLE SAMPLE SAMPLE
SAMPLE SAMPLE SAMPLE
SAMPLE SAMPLE SAMPLE
SAMPLE SAMPLE SAMPLE

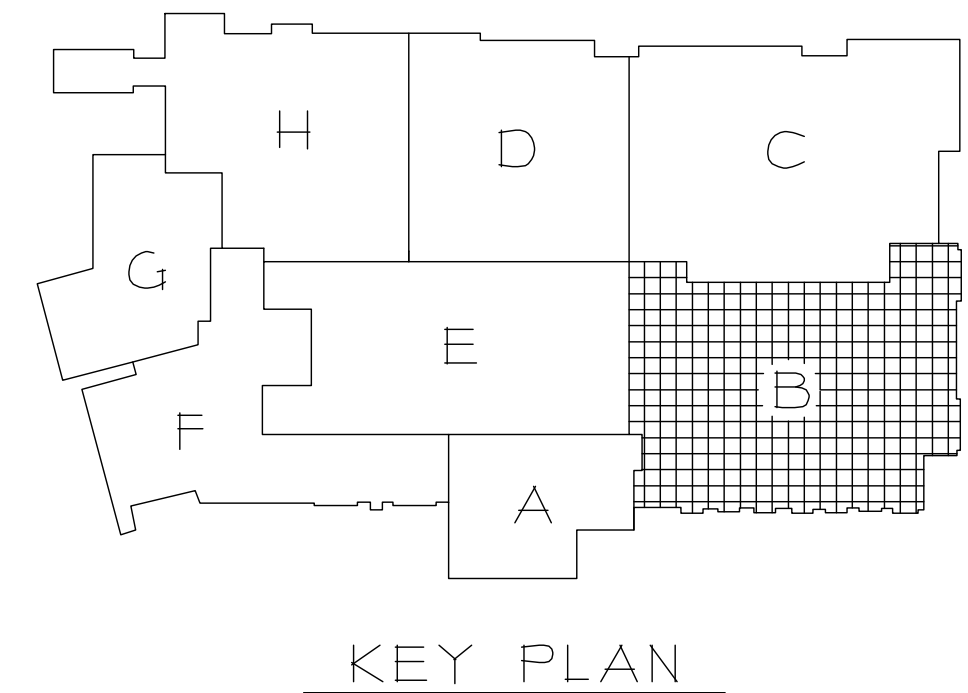
ARCHITECT:
SAMPLE SAMPLE SAMPLE
SAMPLE SAMPLE SAMPLE
SAMPLE SAMPLE SAMPLE
SAMPLE SAMPLE SAMPLE
SAMPLE SAMPLE SAMPLE

PROJECT:	SAMPLE SAMPLE SAMPLE
LOCATION:	SAMPLE SAMPLE SAMPLE

SCALE:	N.T.S.
DATE:	SAMPLE
PAGE:	1 of 44



PARTIAL FIRST FLOOR PLAN
AT AREA "B"



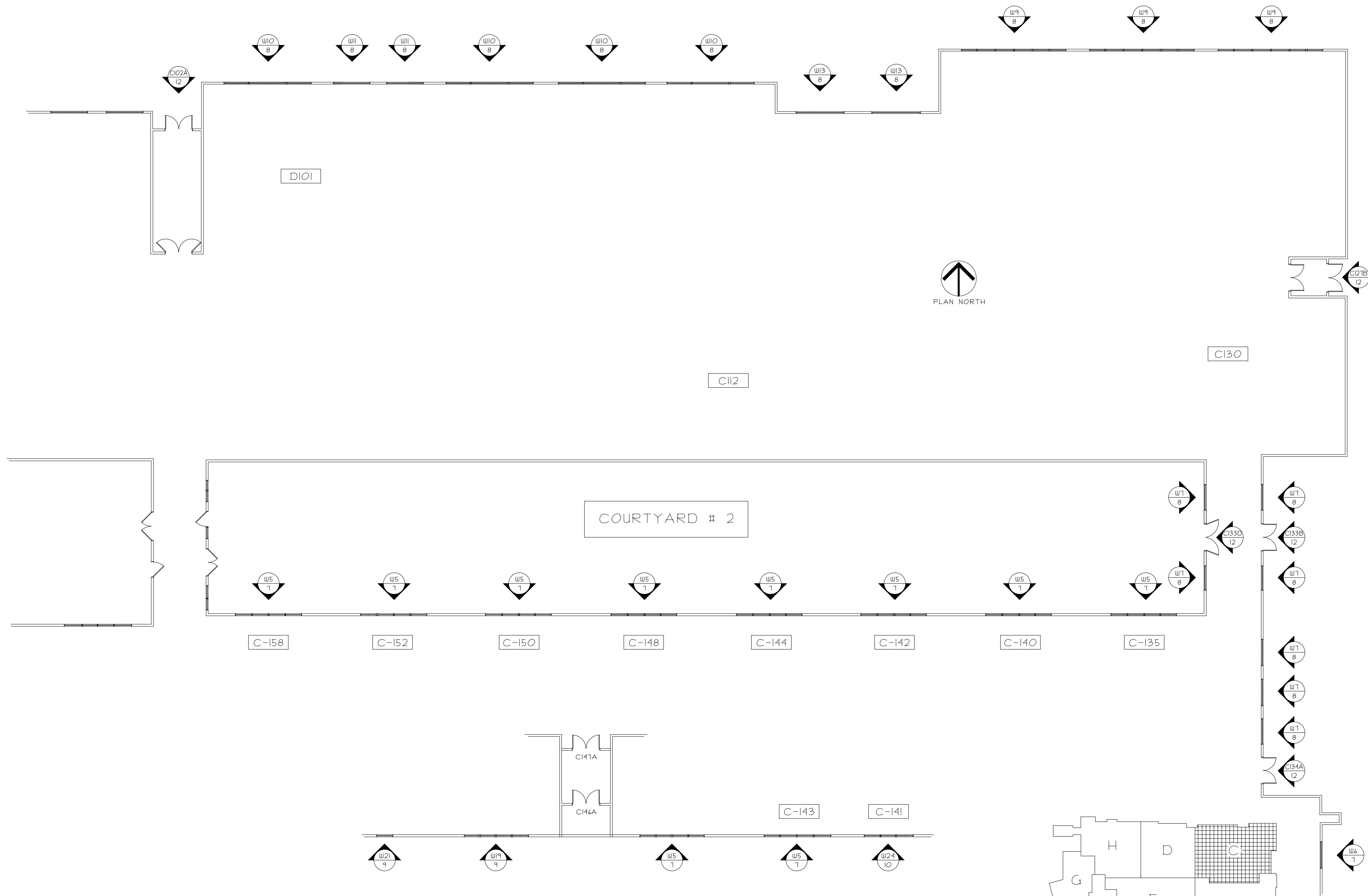
REVISIONS	DATE

GLAZING CONTRACTOR:
SAMPLE SAMPLE SAMPLE
SAMPLE SAMPLE SAMPLE
SAMPLE SAMPLE SAMPLE
SAMPLE SAMPLE SAMPLE
SAMPLE SAMPLE SAMPLE

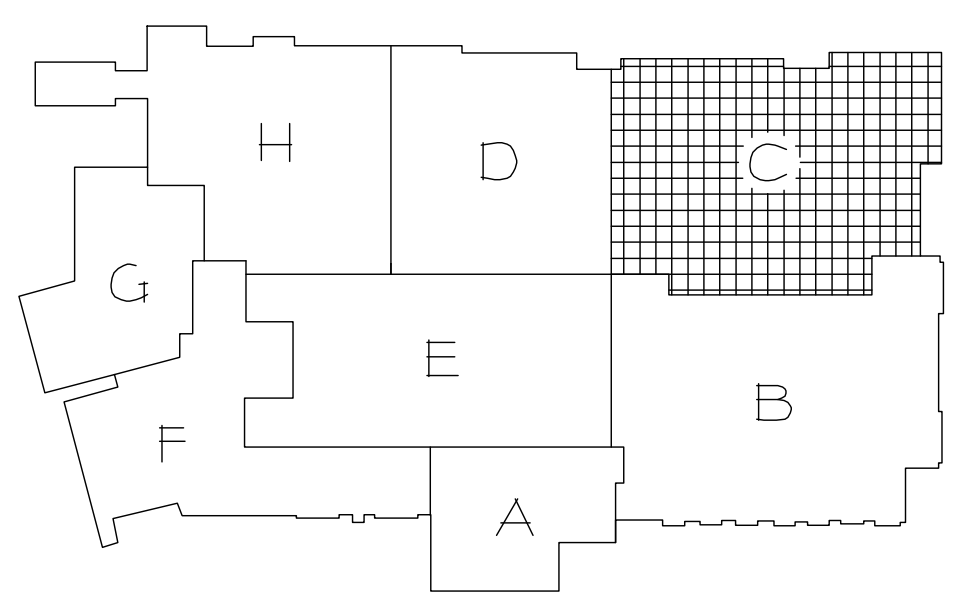
ARCHITECT:
SAMPLE SAMPLE SAMPLE
SAMPLE SAMPLE SAMPLE
SAMPLE SAMPLE SAMPLE
SAMPLE SAMPLE SAMPLE
SAMPLE SAMPLE SAMPLE

PROJECT:	LOCATION:
SAMPLE SAMPLE SAMPLE	SAMPLE SAMPLE SAMPLE
SAMPLE SAMPLE SAMPLE	SAMPLE SAMPLE SAMPLE

SCALE: N.T.S.
DATE: SAMPLE
PAGE: 2 of 44



PARTIAL FIRST FLOOR PLAN
AT AREA "C"



KEY PLAN

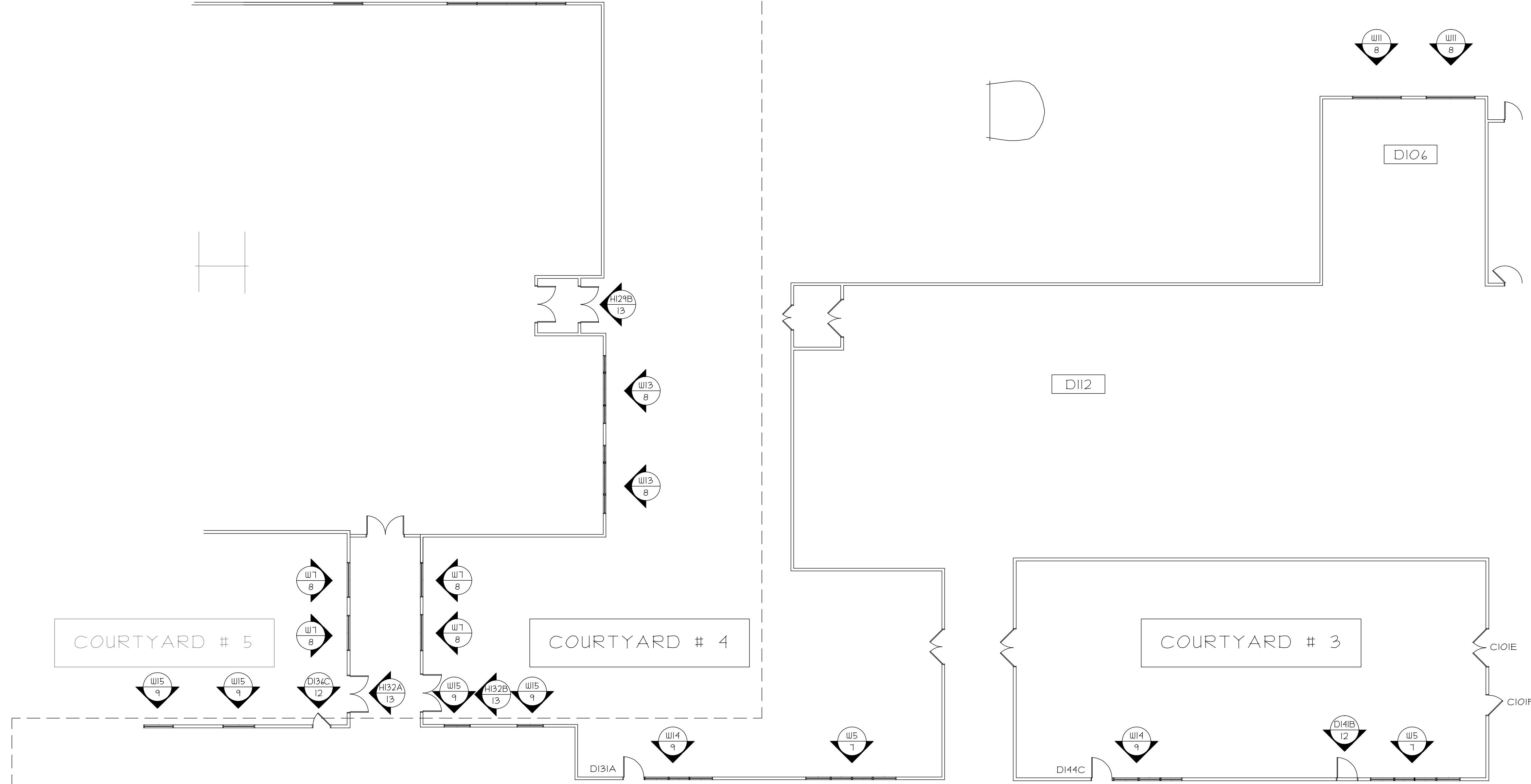
REVISIONS	DATE

GLAZING CONTRACTOR:
SAMPLE SAMPLE SAMPLE
SAMPLE SAMPLE SAMPLE
SAMPLE SAMPLE SAMPLE
SAMPLE SAMPLE SAMPLE
SAMPLE SAMPLE SAMPLE

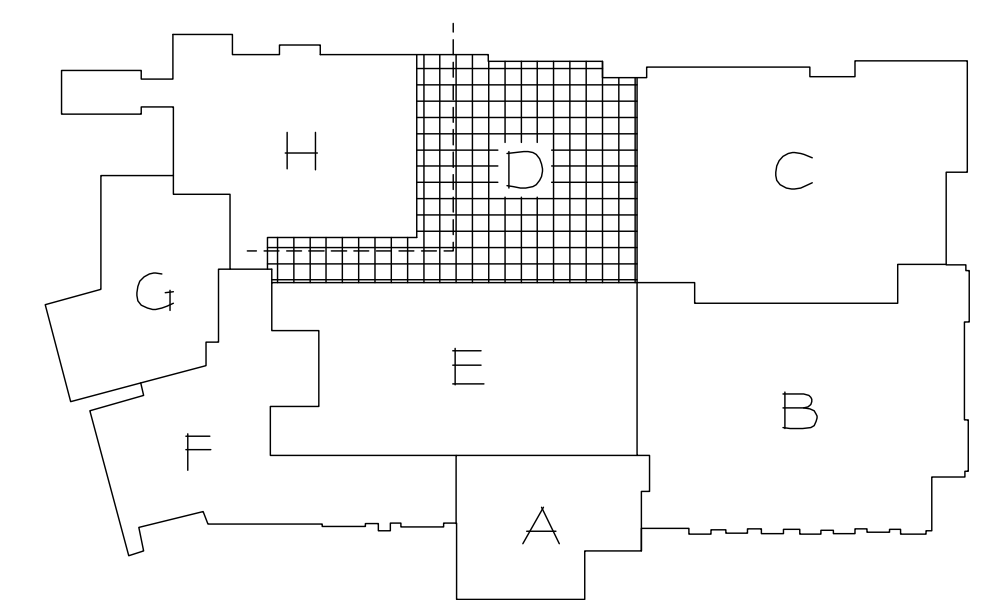
ARCHITECT:
SAMPLE SAMPLE SAMPLE
SAMPLE SAMPLE SAMPLE
SAMPLE SAMPLE SAMPLE
SAMPLE SAMPLE SAMPLE
SAMPLE SAMPLE SAMPLE

PROJECT:	LOCATION:
SAMPLE SAMPLE SAMPLE	SAMPLE SAMPLE SAMPLE
SAMPLE SAMPLE SAMPLE	SAMPLE SAMPLE SAMPLE

SCALE: N.T.S.
DATE: SAMPLE
PAGE: 3 of 44



PARTIAL FIRST FLOOR PLAN
AT AREA "D"



KEY PLAN

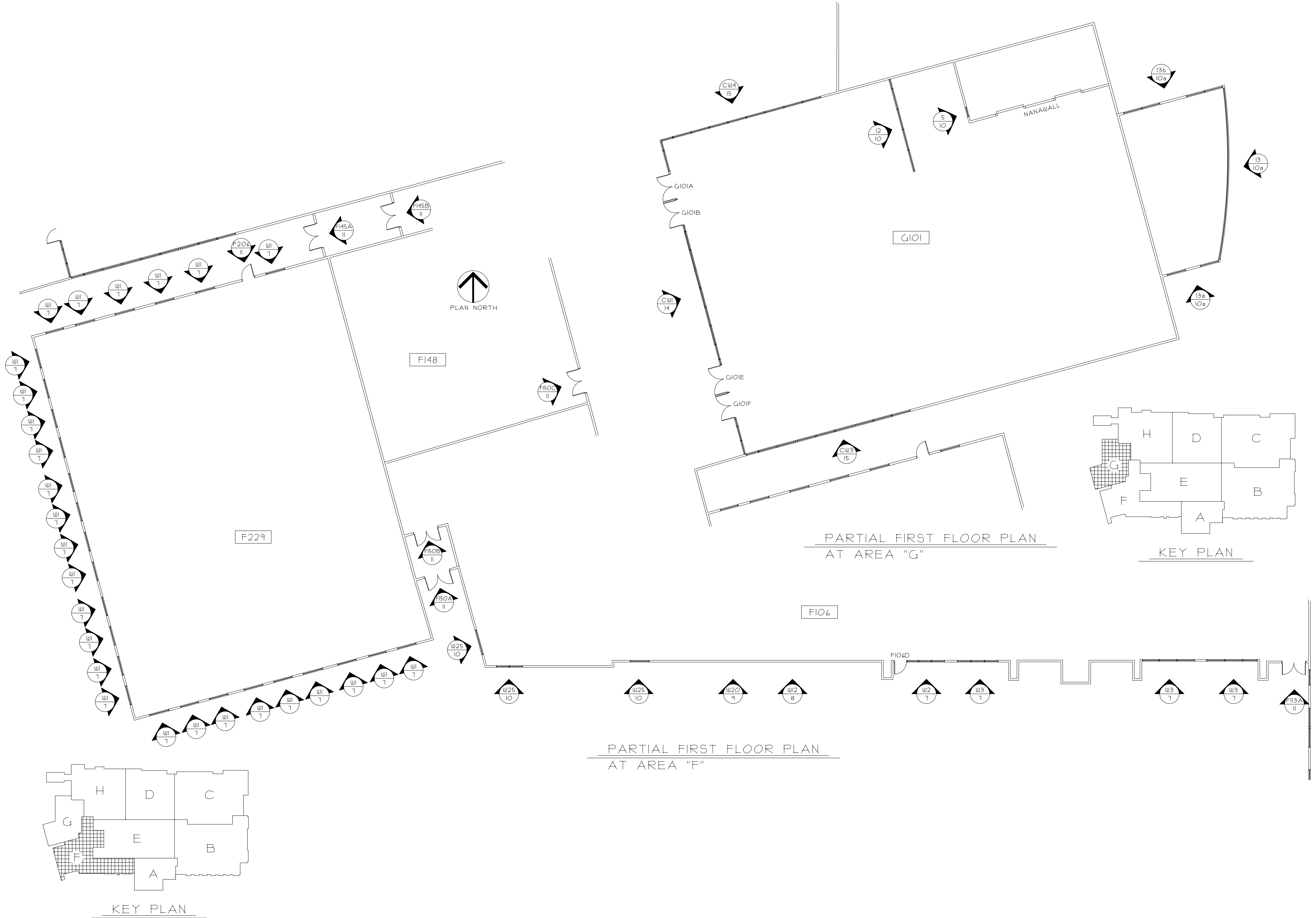
REVISIONS	DATE

GLAZING CONTRACTOR:
SAMPLE SAMPLE SAMPLE
SAMPLE SAMPLE SAMPLE
SAMPLE SAMPLE SAMPLE
SAMPLE SAMPLE SAMPLE
SAMPLE SAMPLE SAMPLE

ARCHITECT:
SAMPLE SAMPLE SAMPLE
SAMPLE SAMPLE SAMPLE
SAMPLE SAMPLE SAMPLE
SAMPLE SAMPLE SAMPLE
SAMPLE SAMPLE SAMPLE

PROJECT:	SAMPLE SAMPLE SAMPLE
LOCATION:	SAMPLE SAMPLE SAMPLE

SCALE:	N.T.S.
DATE:	SAMPLE
PAGE:	4 of 44



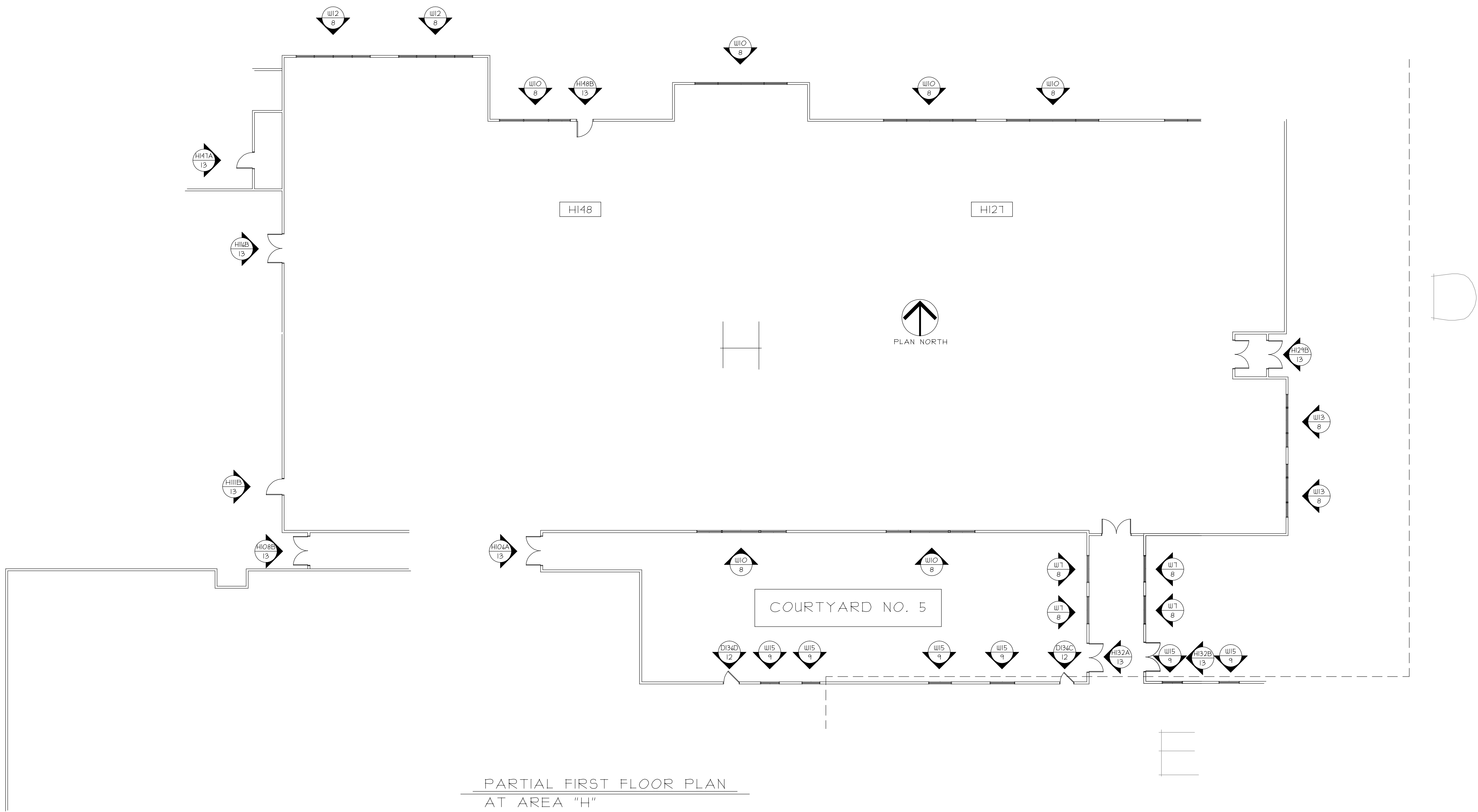
REVISIONS	DATE

GLAZING CONTRACTOR:
SAMPLE SAMPLE SAMPLE
SAMPLE SAMPLE SAMPLE
SAMPLE SAMPLE SAMPLE
SAMPLE SAMPLE SAMPLE
SAMPLE SAMPLE SAMPLE

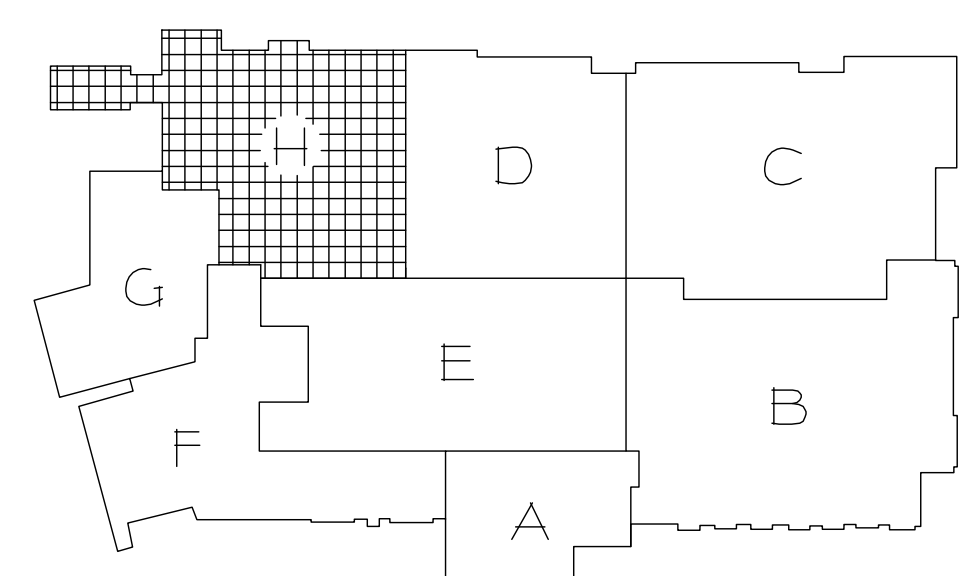
ARCHITECT:
SAMPLE SAMPLE SAMPLE
SAMPLE SAMPLE SAMPLE
SAMPLE SAMPLE SAMPLE
SAMPLE SAMPLE SAMPLE
SAMPLE SAMPLE SAMPLE

PROJECT:	LOCATION:
SAMPLE SAMPLE SAMPLE	SAMPLE SAMPLE SAMPLE
SAMPLE SAMPLE SAMPLE	SAMPLE SAMPLE SAMPLE

SCALE: N.T.S.
DATE: SAMPLE
PAGE: 5 of 44



PARTIAL FIRST FLOOR PLAN
AT AREA "H"



KEY PLAN

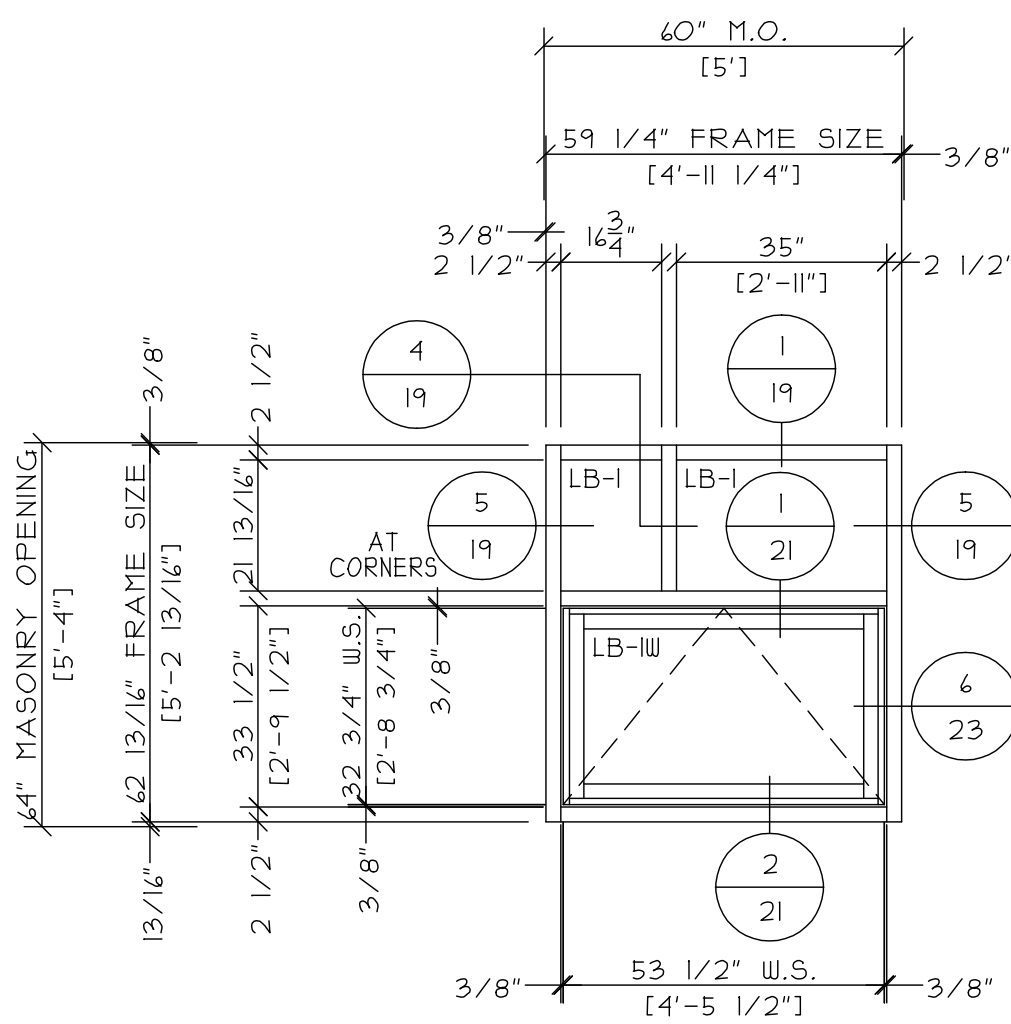
REVISIONS	DATE

GLAZING CONTRACTOR:
SAMPLE SAMPLE SAMPLE
SAMPLE SAMPLE SAMPLE
SAMPLE SAMPLE SAMPLE
SAMPLE SAMPLE SAMPLE
SAMPLE SAMPLE SAMPLE

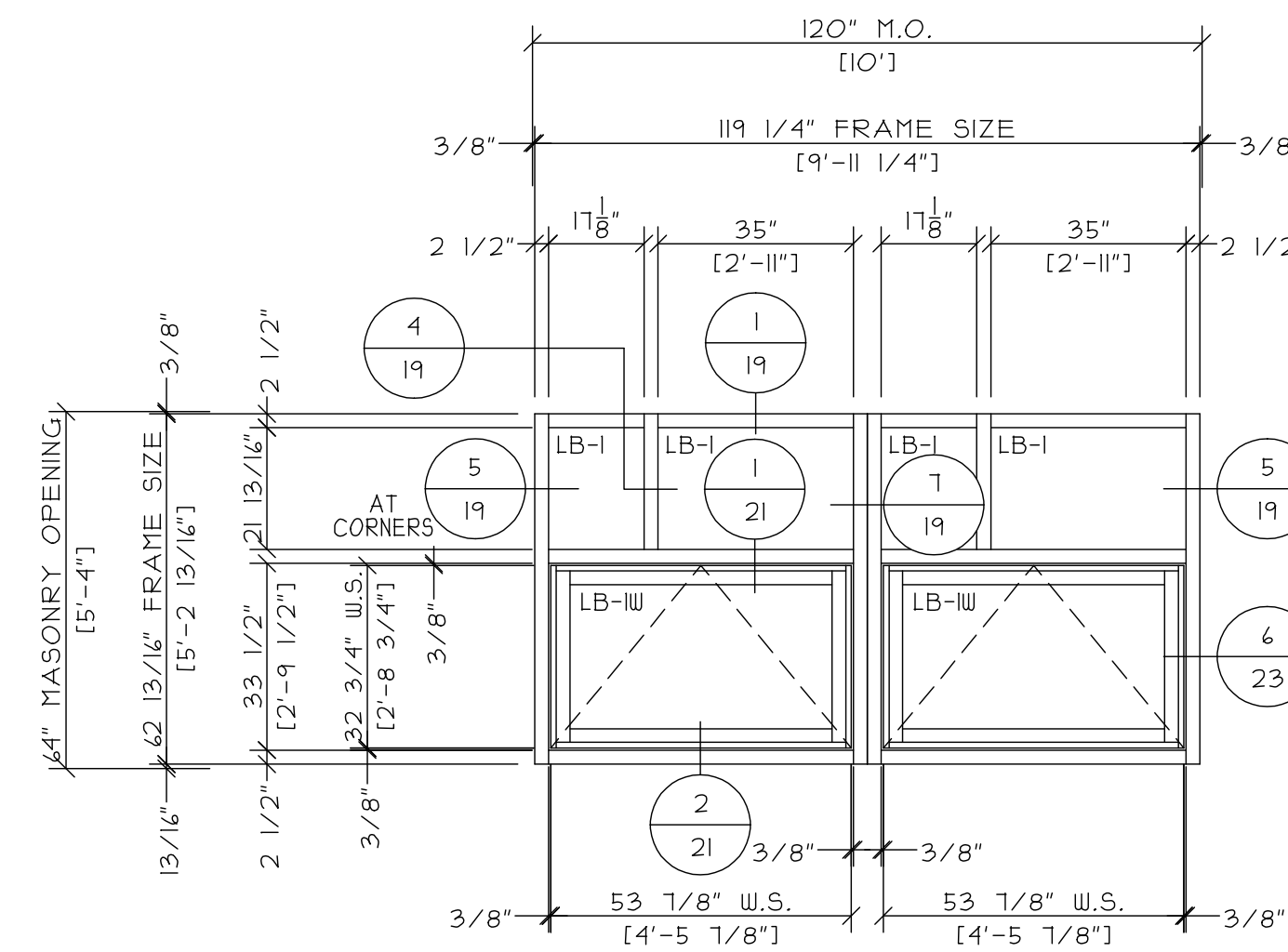
ARCHITECT:
SAMPLE SAMPLE SAMPLE
SAMPLE SAMPLE SAMPLE
SAMPLE SAMPLE SAMPLE
SAMPLE SAMPLE SAMPLE
SAMPLE SAMPLE SAMPLE

PROJECT:	LOCATION:
SAMPLE SAMPLE SAMPLE	SAMPLE SAMPLE SAMPLE
SAMPLE SAMPLE SAMPLE	SAMPLE SAMPLE SAMPLE

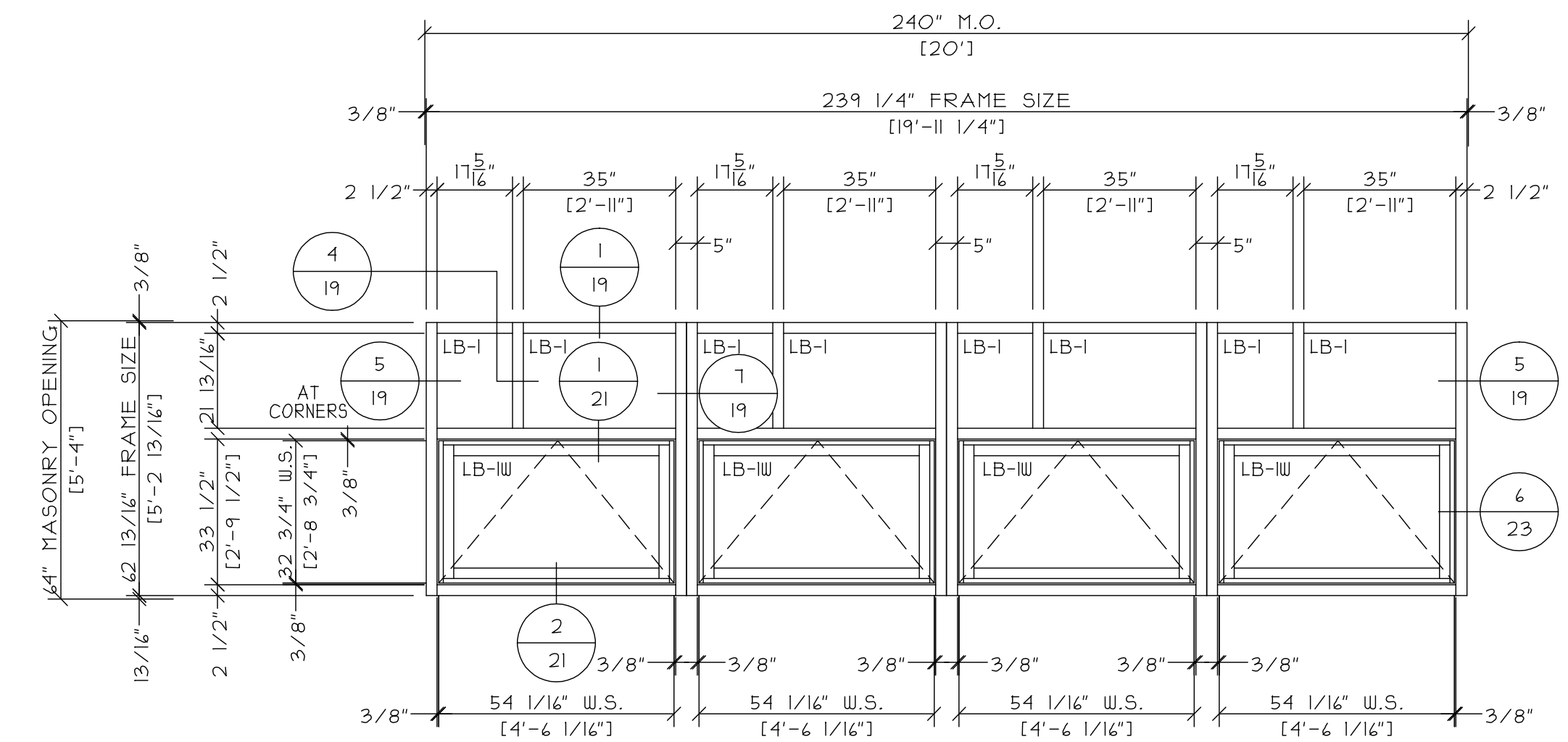
SCALE: N.T.S.
DATE: SAMPLE
PAGE: 6 of 44



ELEVATION WI
28 TOTAL
 YHS 50 TU WITH
 YOW 225 TUH WINDOW

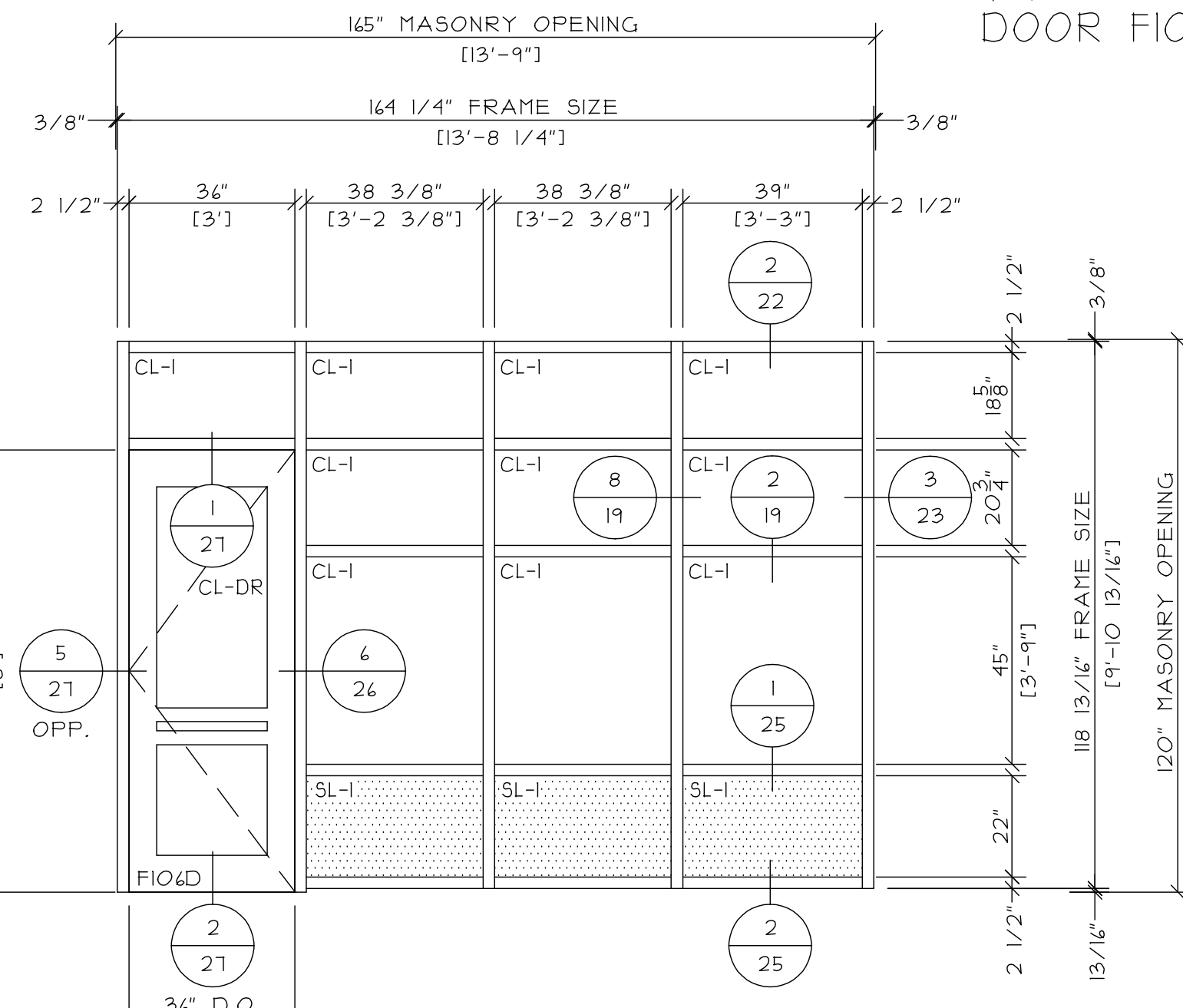


ELEVATION WIA
1 TOTAL
 YHS 50 TU WITH 35H DOOR
 DOOR FIO&D, HW #1A

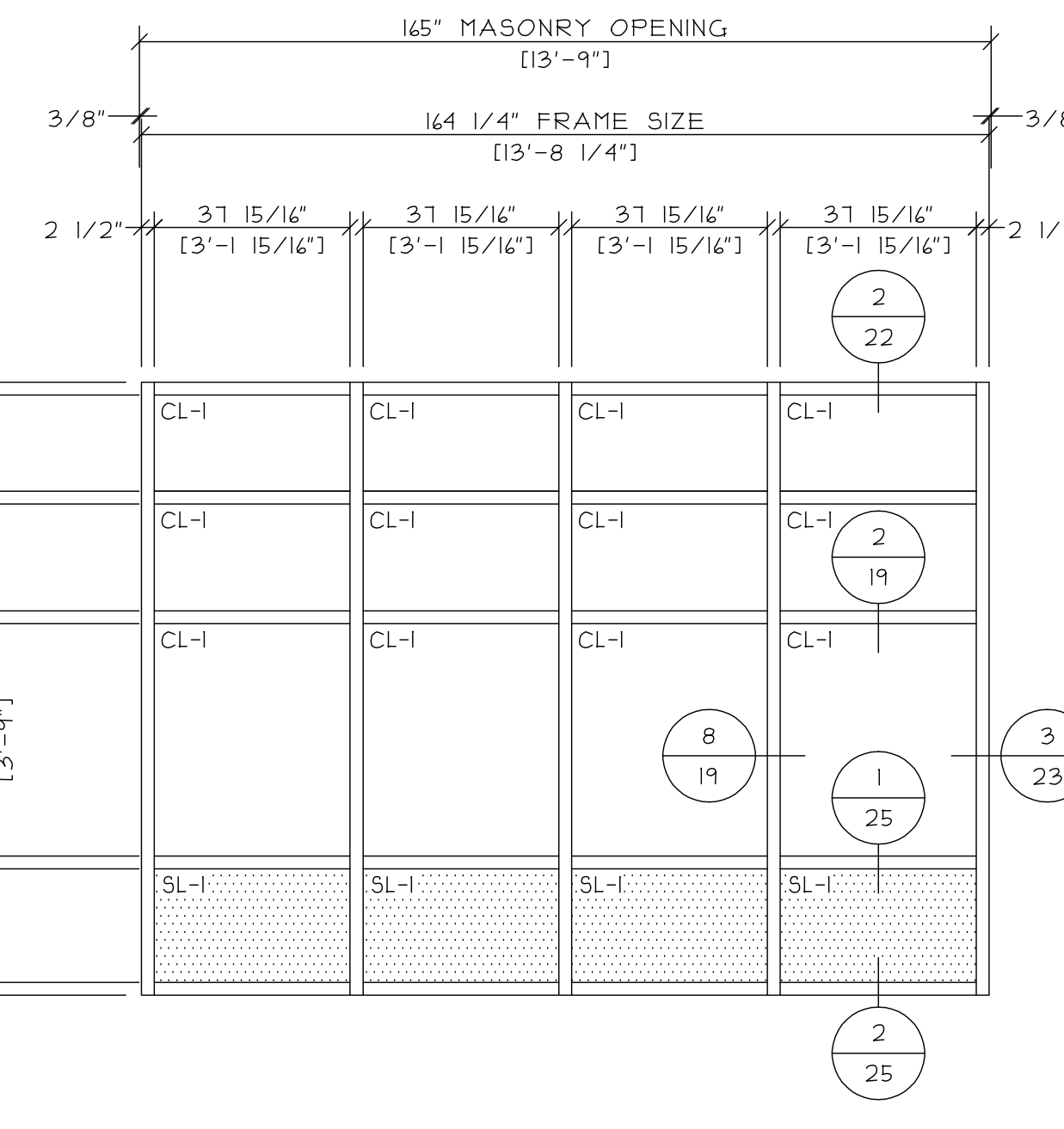


ELEVATION WIB
4 TOTAL
 YHS 50 TU

(RW) - DENOTES LOCATION OF RESCUE WINDOW
 PROVIDE 3"x5" "RESCUE WINDOW" STICKER
 AND HARDWARE AS NOTED.

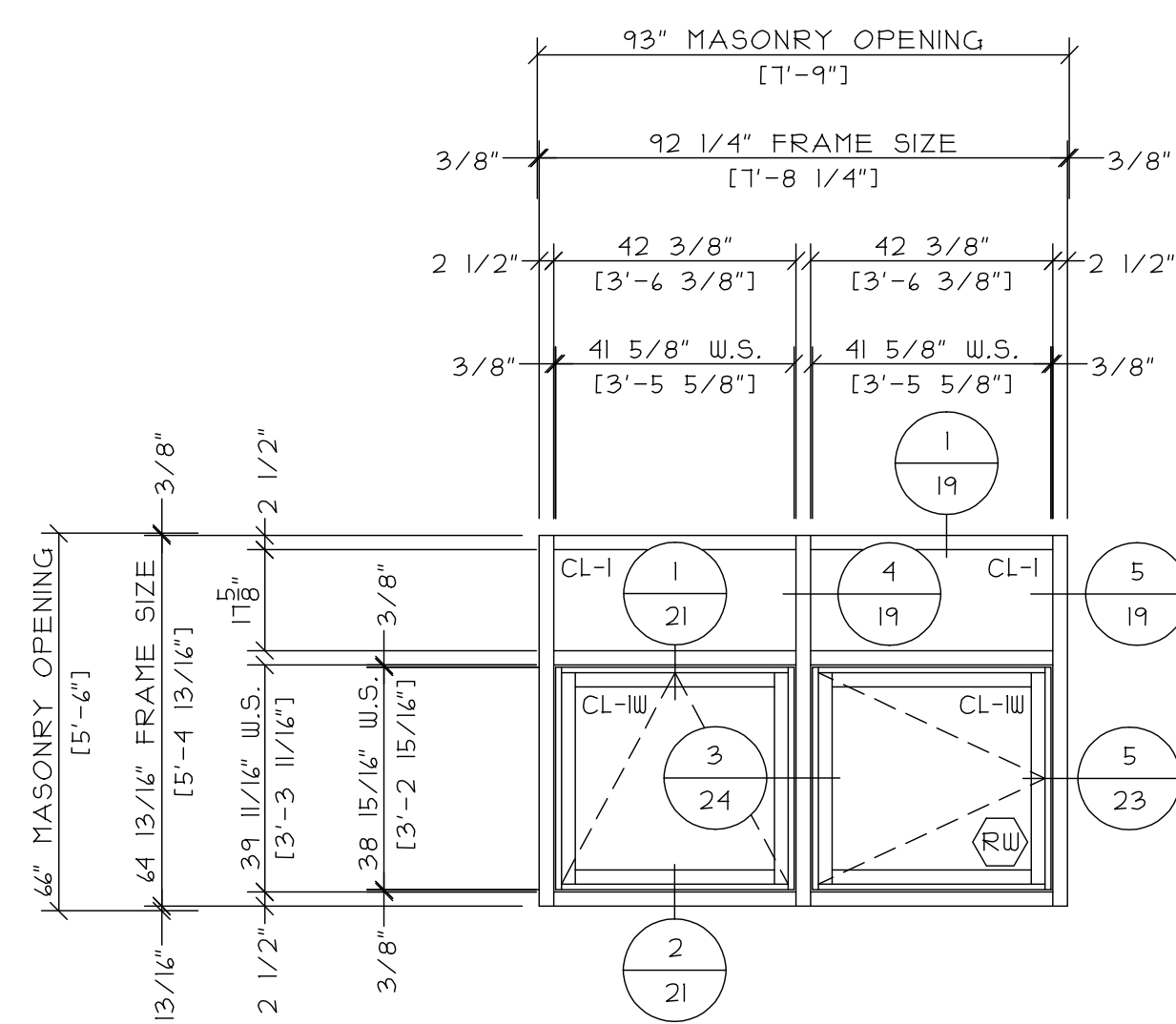


ELEVATION W2
1 TOTAL
 YHS 50 TU WITH 35H DOOR
 DOOR FIO&D, HW #1A

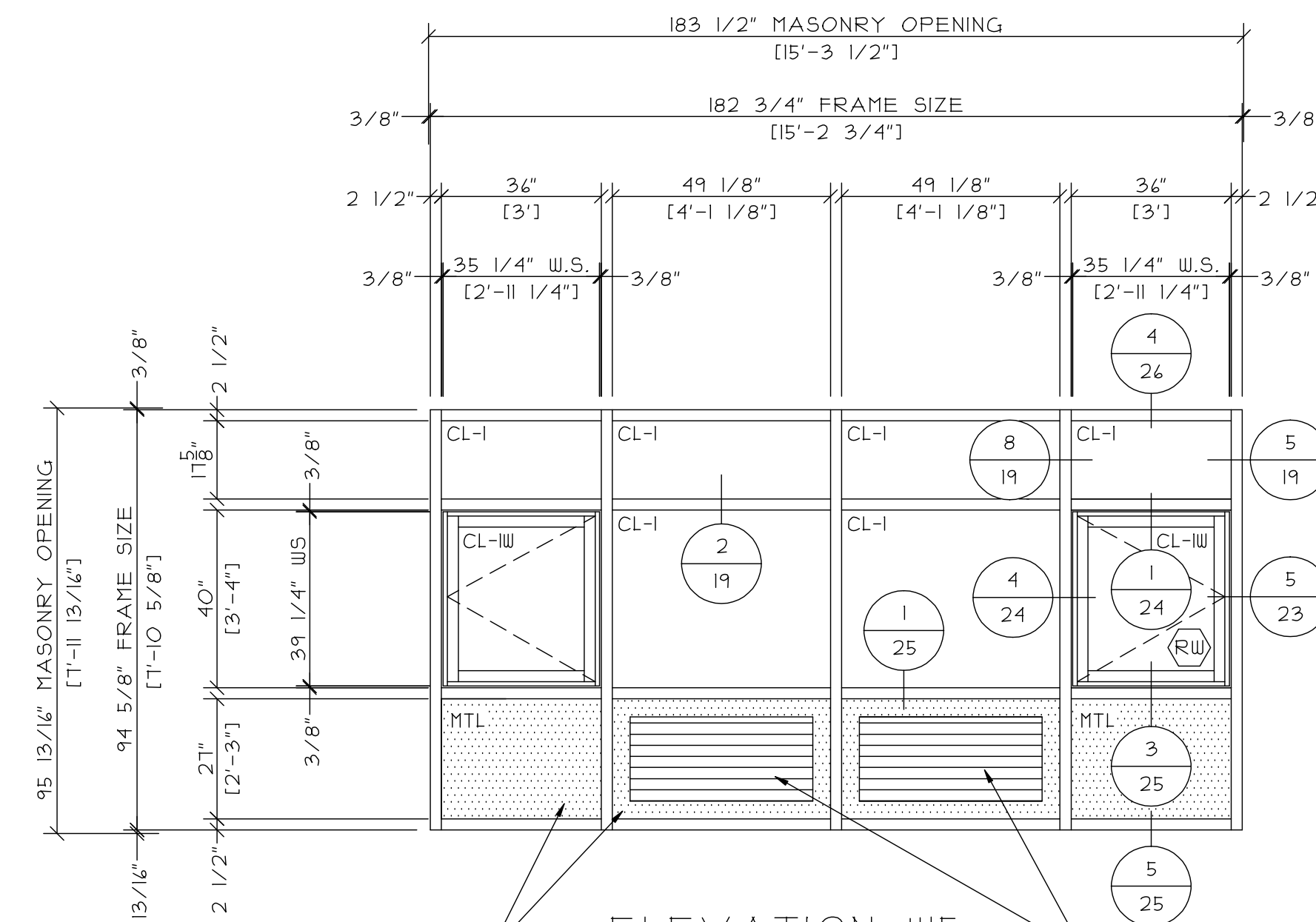


ELEVATION W3
3 TOTAL
 YHS 50 TU

- VERIFY AND COORDINATE ALL
 MASONRY OPENINGS -

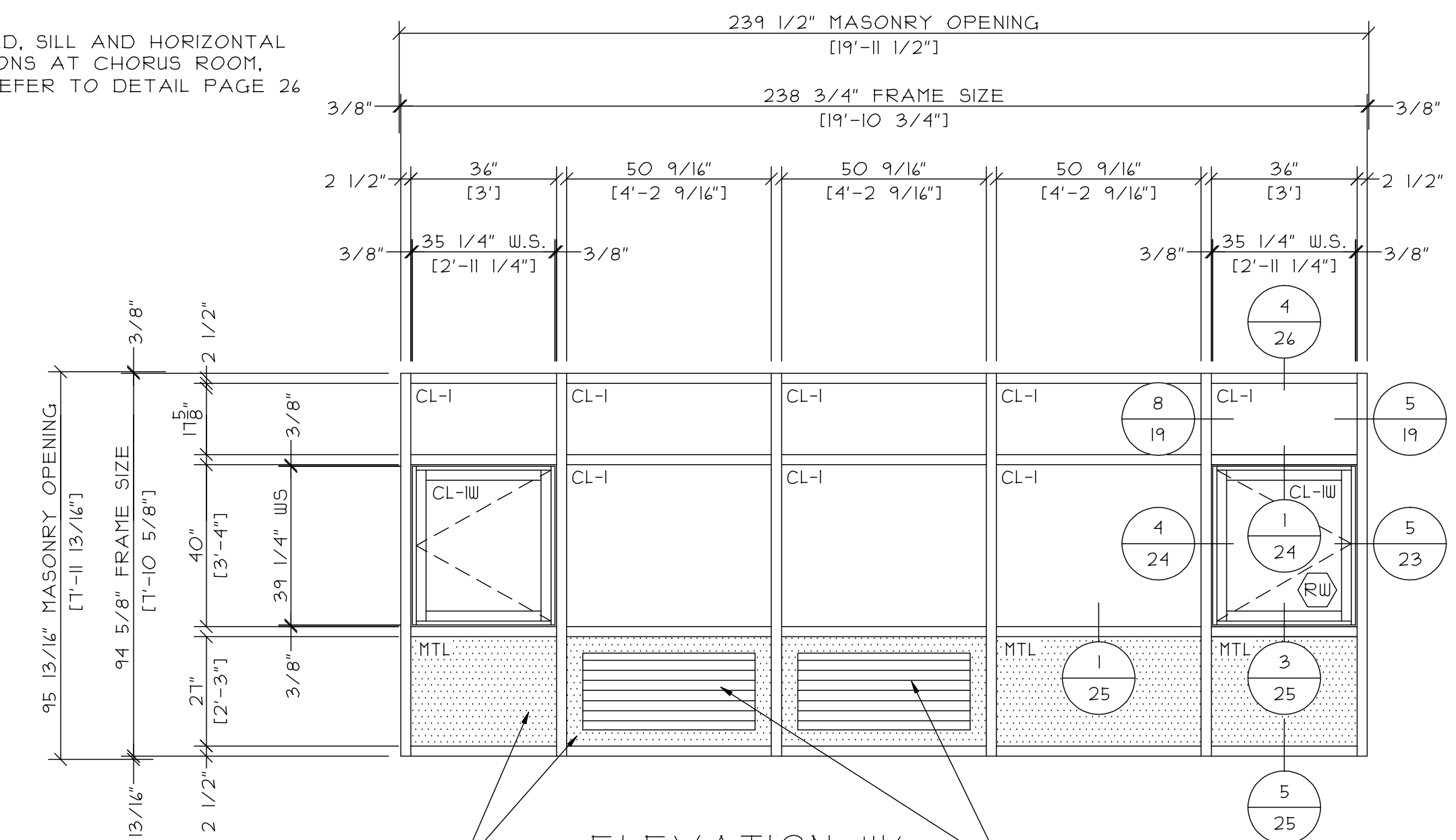


ELEVATION W4
3 TOTAL
 YHS 50 TU WITH
 YOW 225 TUH WINDOWS



ELEVATION W5
21 TOTAL
 YHS 50 TU WITH
 YOW 225 TUH WINDOWS

FOR HEAD, SILL AND HORIZONTAL
 CONDITIONS AT CHORUS ROOM,
 PLEASE REFER TO DETAIL PAGE 24



ELEVATION W6
4 TOTAL
 YHS 50 TU WITH
 YOW 225 TUH WINDOWS

DATE

REVISIONS

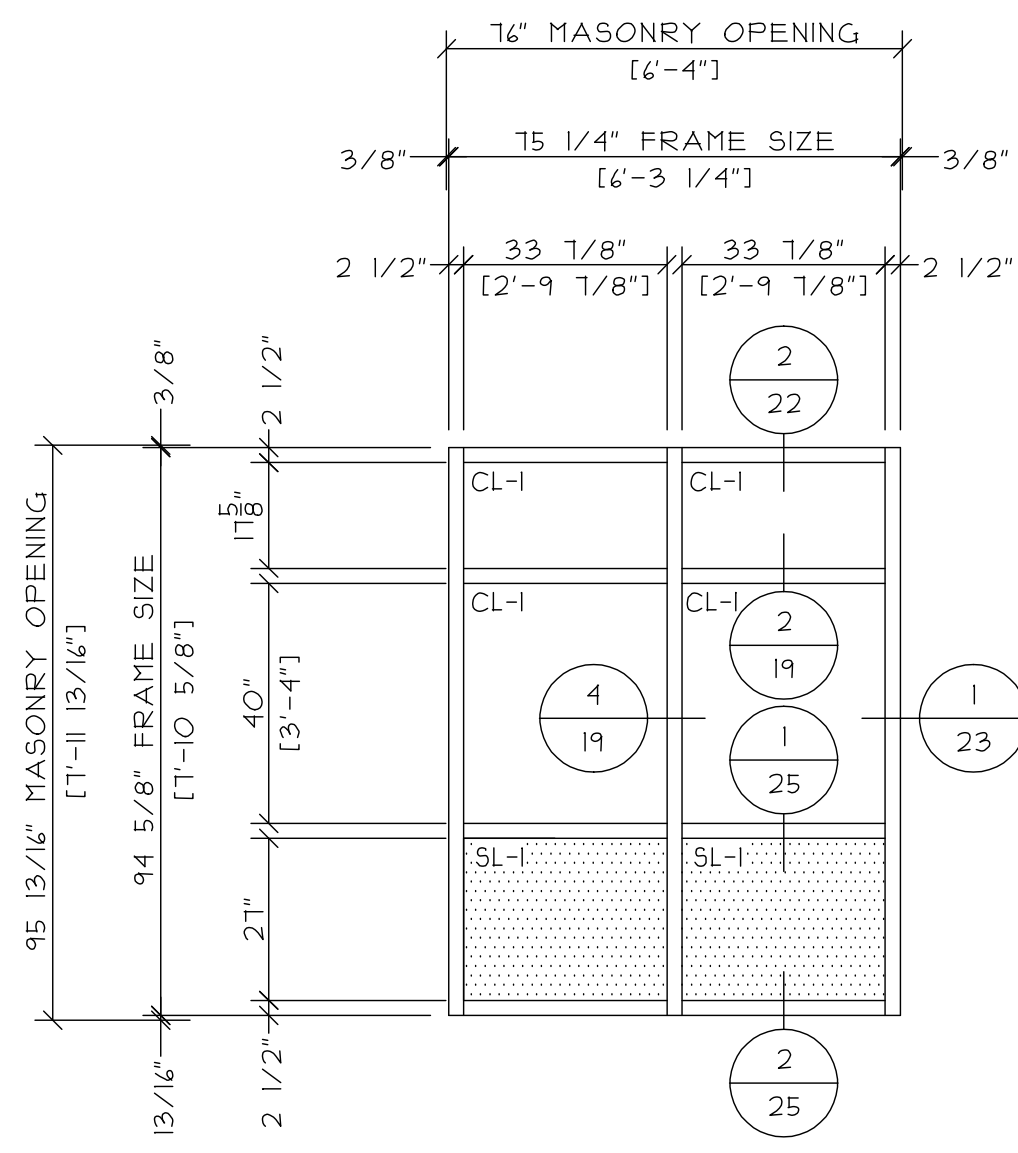
GLAZING CONTRACTOR:
SAMPLE SAMPLE SAMPLE
SAMPLE SAMPLE SAMPLE
SAMPLE SAMPLE SAMPLE
SAMPLE SAMPLE SAMPLE

ARCHITECT:
SAMPLE SAMPLE SAMPLE
SAMPLE SAMPLE SAMPLE
SAMPLE SAMPLE SAMPLE
SAMPLE SAMPLE SAMPLE

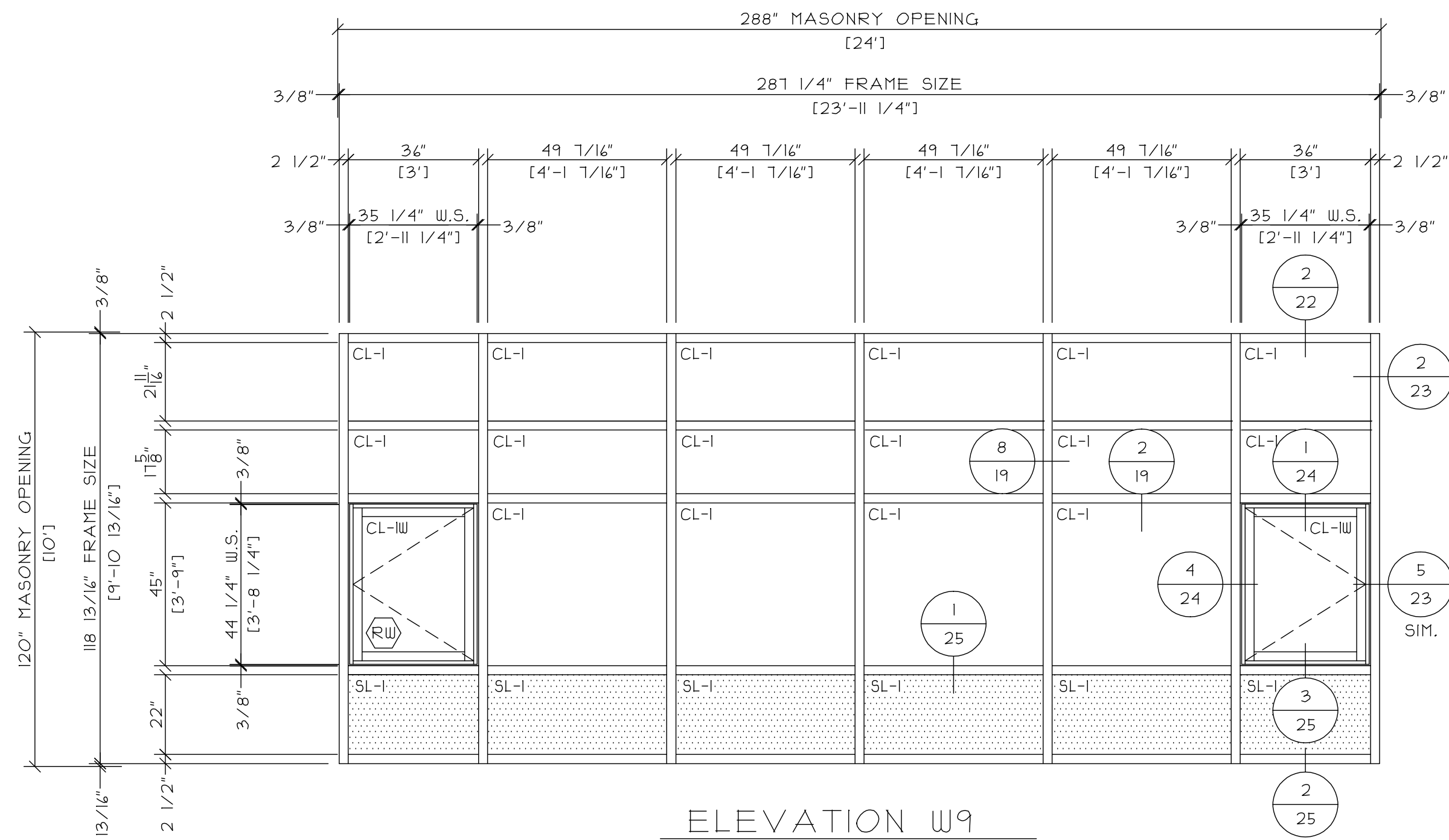
PROJECT:
SAMPLE SAMPLE SAMPLE

LOCATION:
SAMPLE SAMPLE SAMPLE

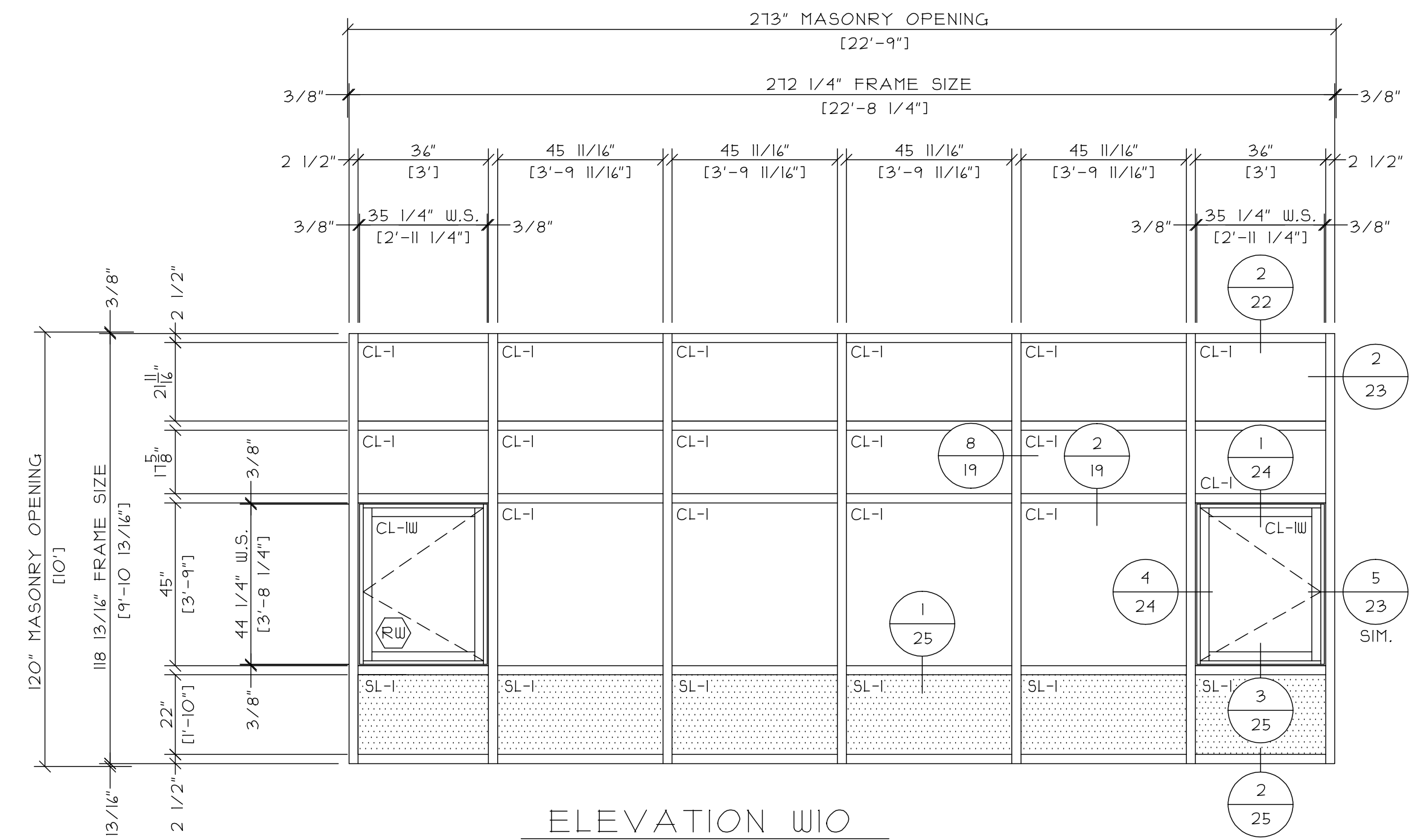
SCALE: 3/8" = 1'-0"
DATE: SAMPLE
PAGE: 1 of 44



ELEVATION W1
11 TOTAL
YHS 50 TU

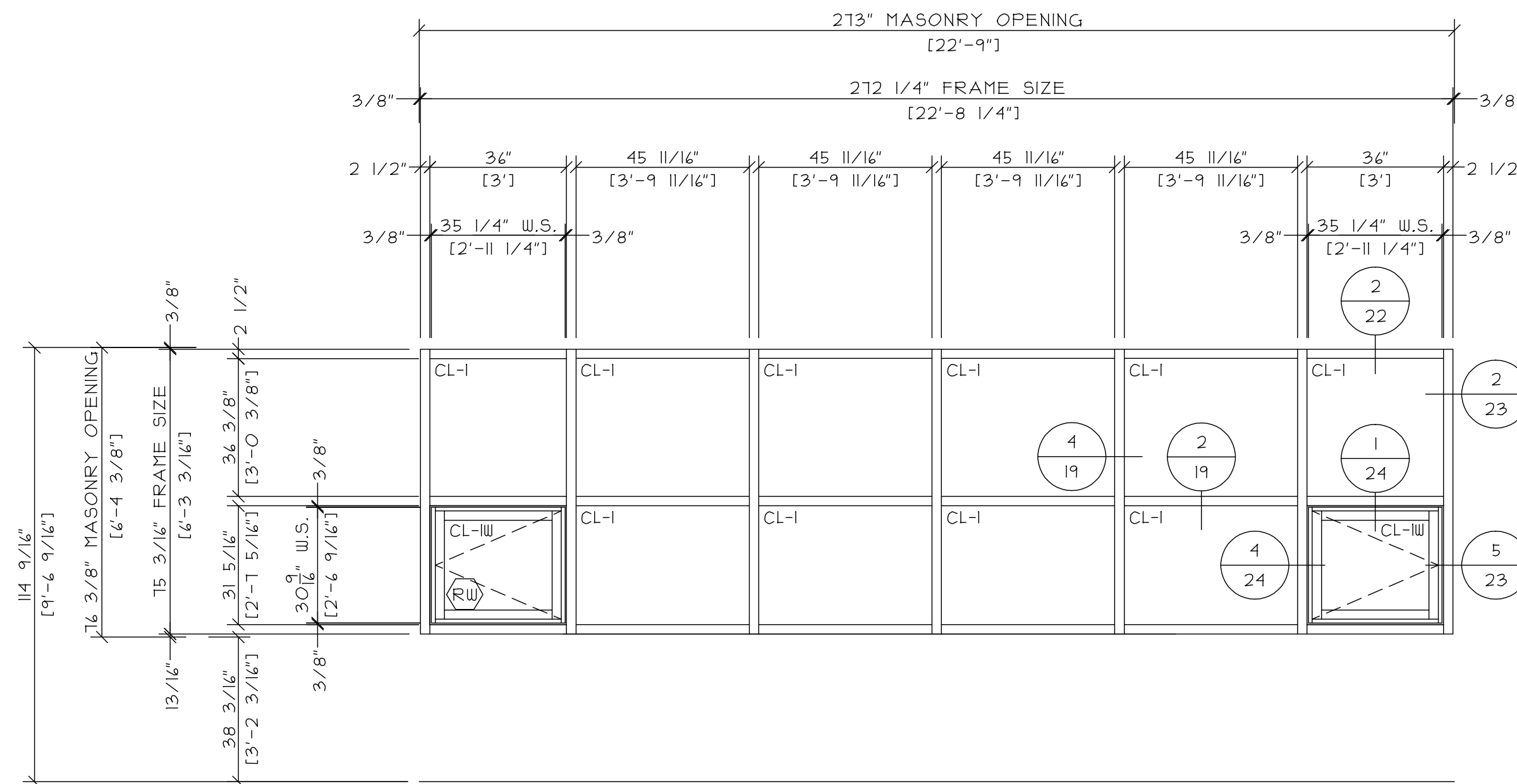


ELEVATION W9
3 TOTAL
YHS 50 TU WITH
YOW 225 TUH WINDOWS

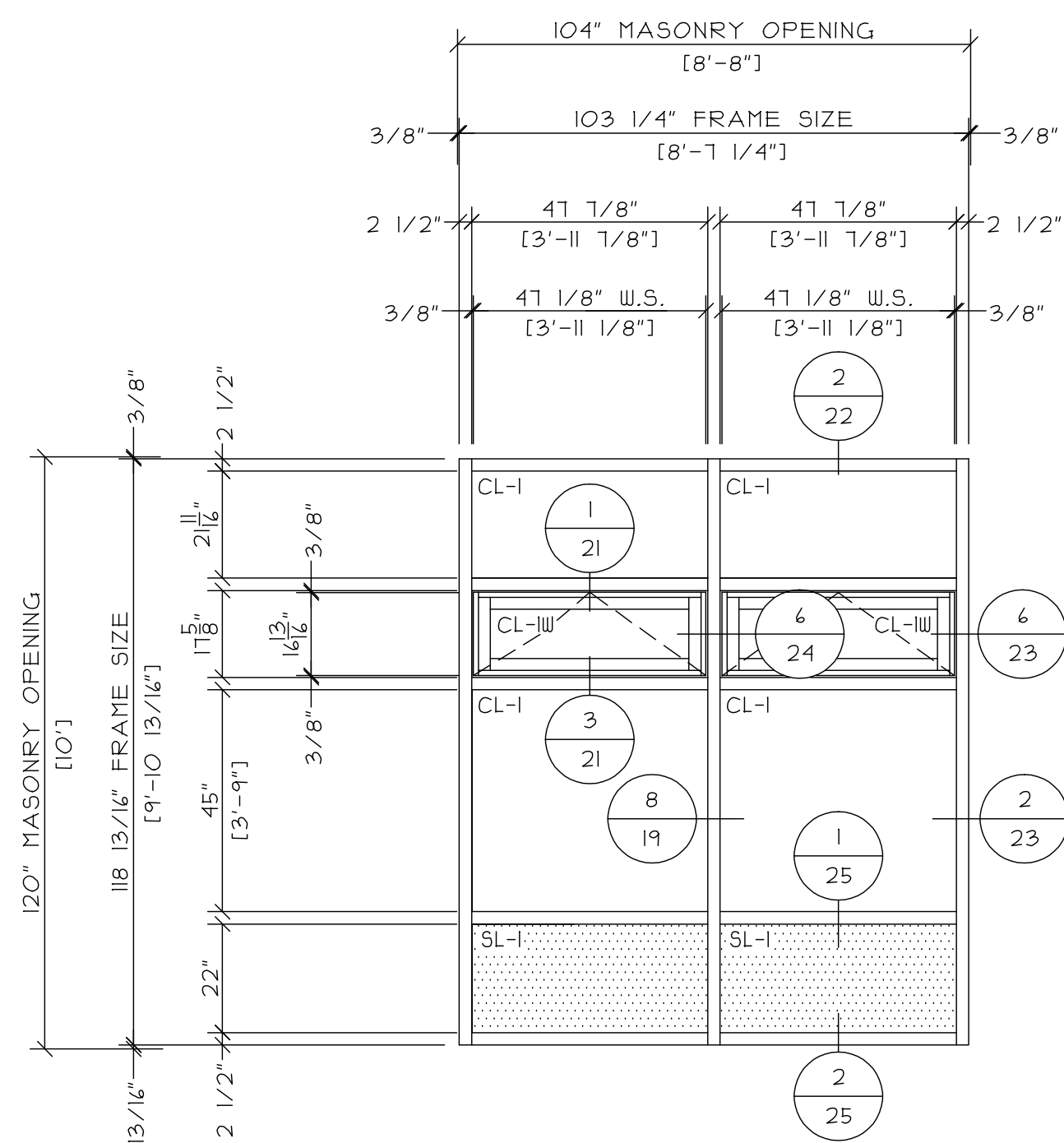


ELEVATION W10
10 TOTAL
YHS 50 TU WITH
YOW 225 TUH WINDOWS

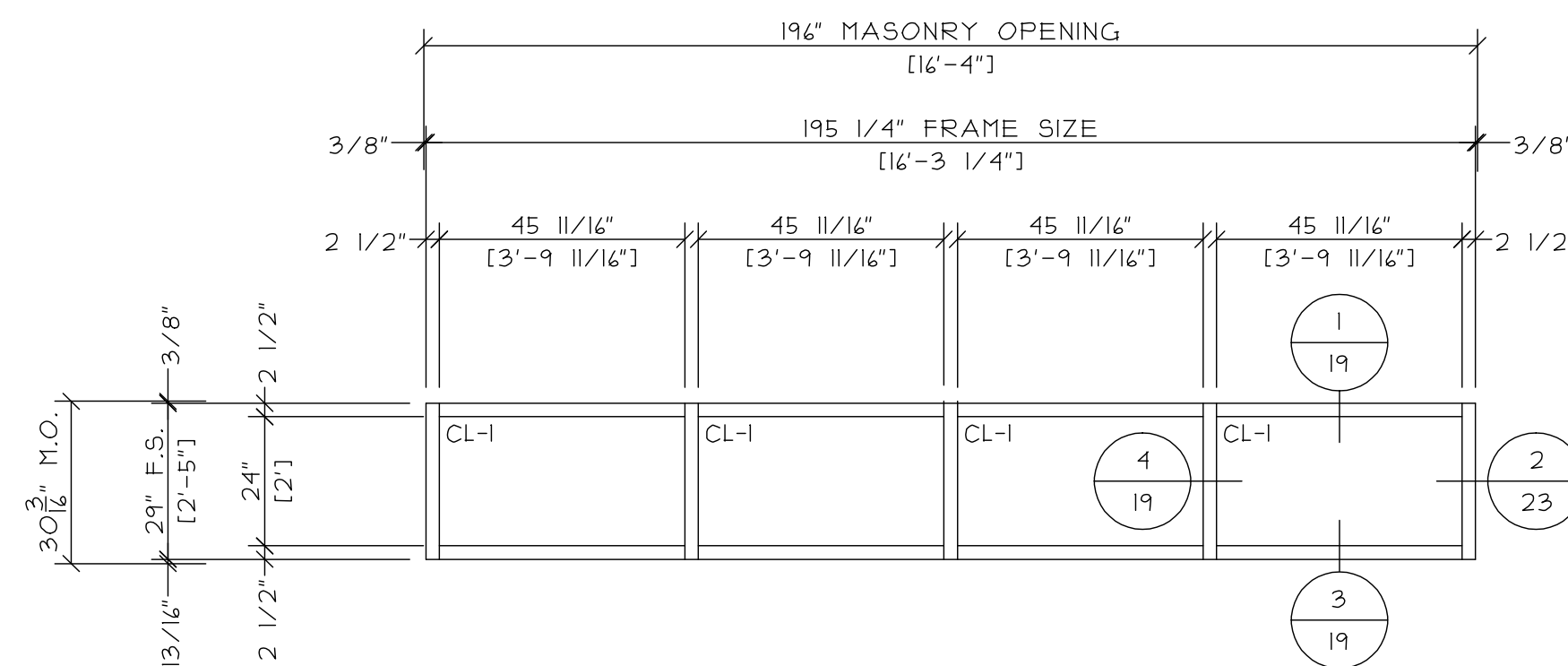
(R) - DENOTES LOCATION OF RESCUE WINDOW
PROVIDE 3"x5" "RESCUE WINDOW" STICKER
AND HARDWARE AS NOTED.



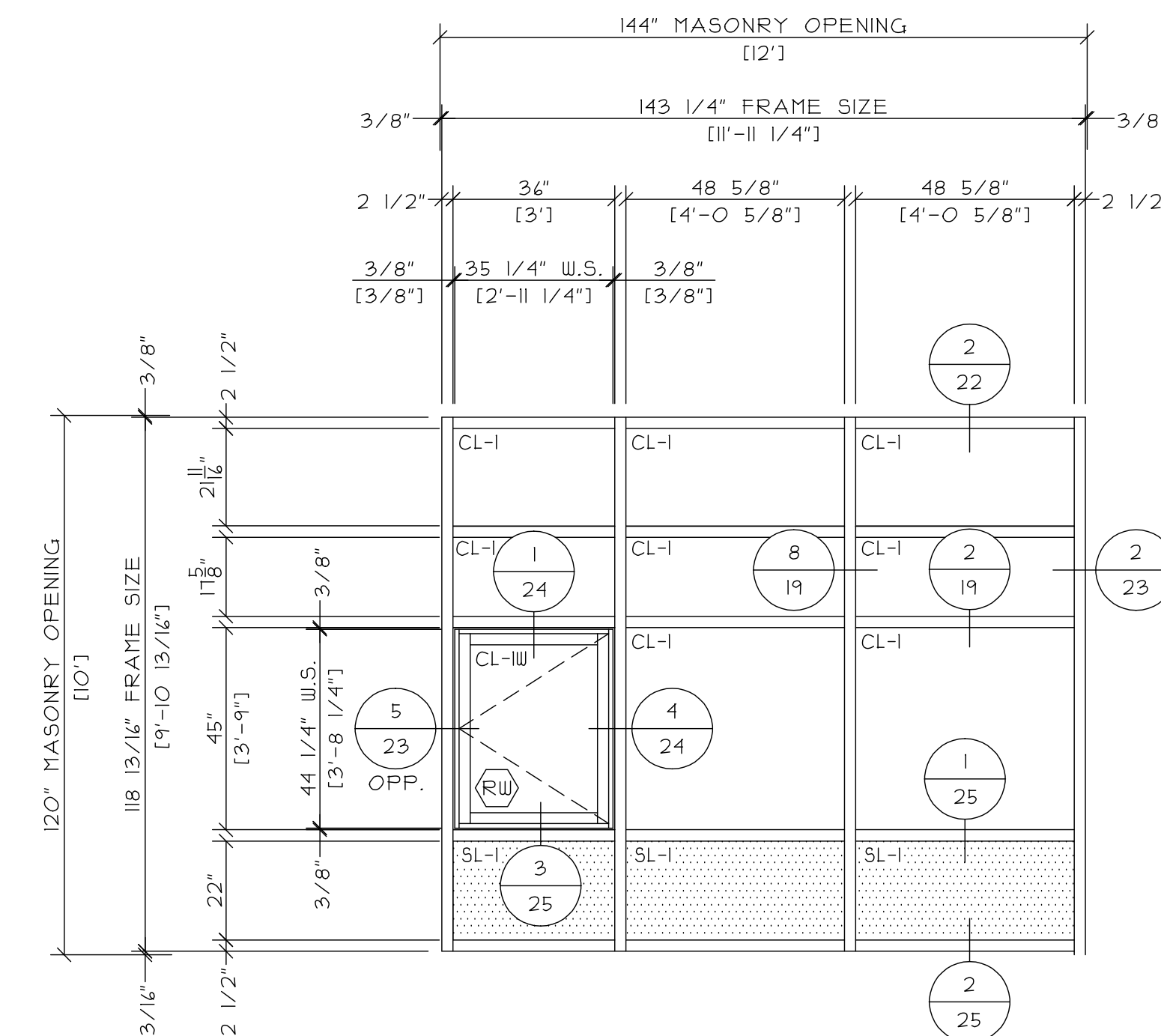
ELEVATION W10A
2 TOTAL
YHS 50 TU WITH
YOW 225 TUH WINDOWS



ELEVATION W11
4 TOTAL
YHS 50 TU WITH
YOW 225 TUH WINDOWS



ELEVATION W12
3 TOTAL
YHS 50 TU



ELEVATION W13
4 TOTAL
YHS 50 TU WITH
YOW 225 TUH WINDOW

- VERIFY AND COORDINATE ALL
MASONRY OPENINGS -

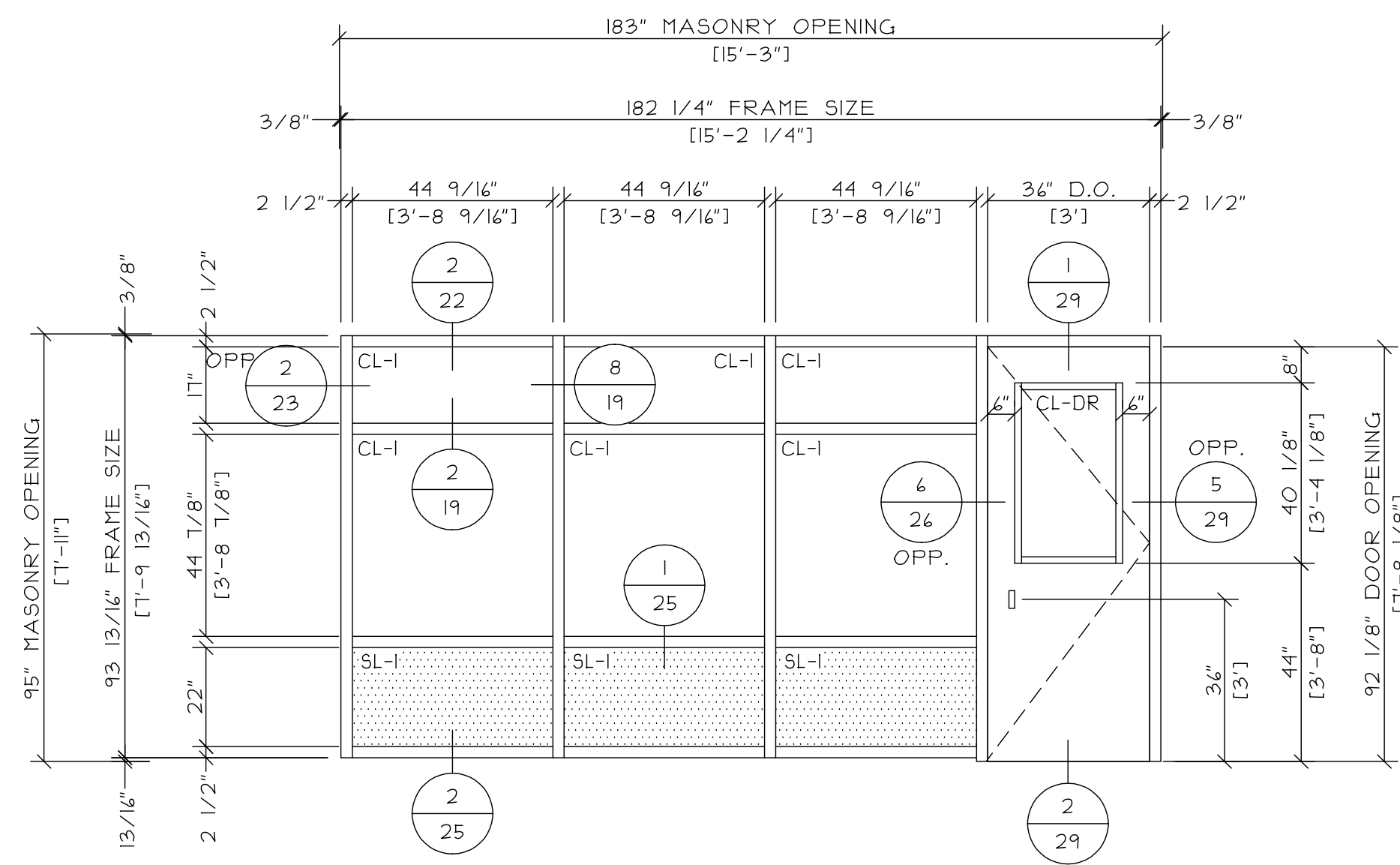
REVISIONS	DATE

GLAZING CONTRACTOR:
SAMPLE SAMPLE SAMPLE
SAMPLE SAMPLE SAMPLE
SAMPLE SAMPLE SAMPLE
SAMPLE SAMPLE SAMPLE
SAMPLE SAMPLE SAMPLE

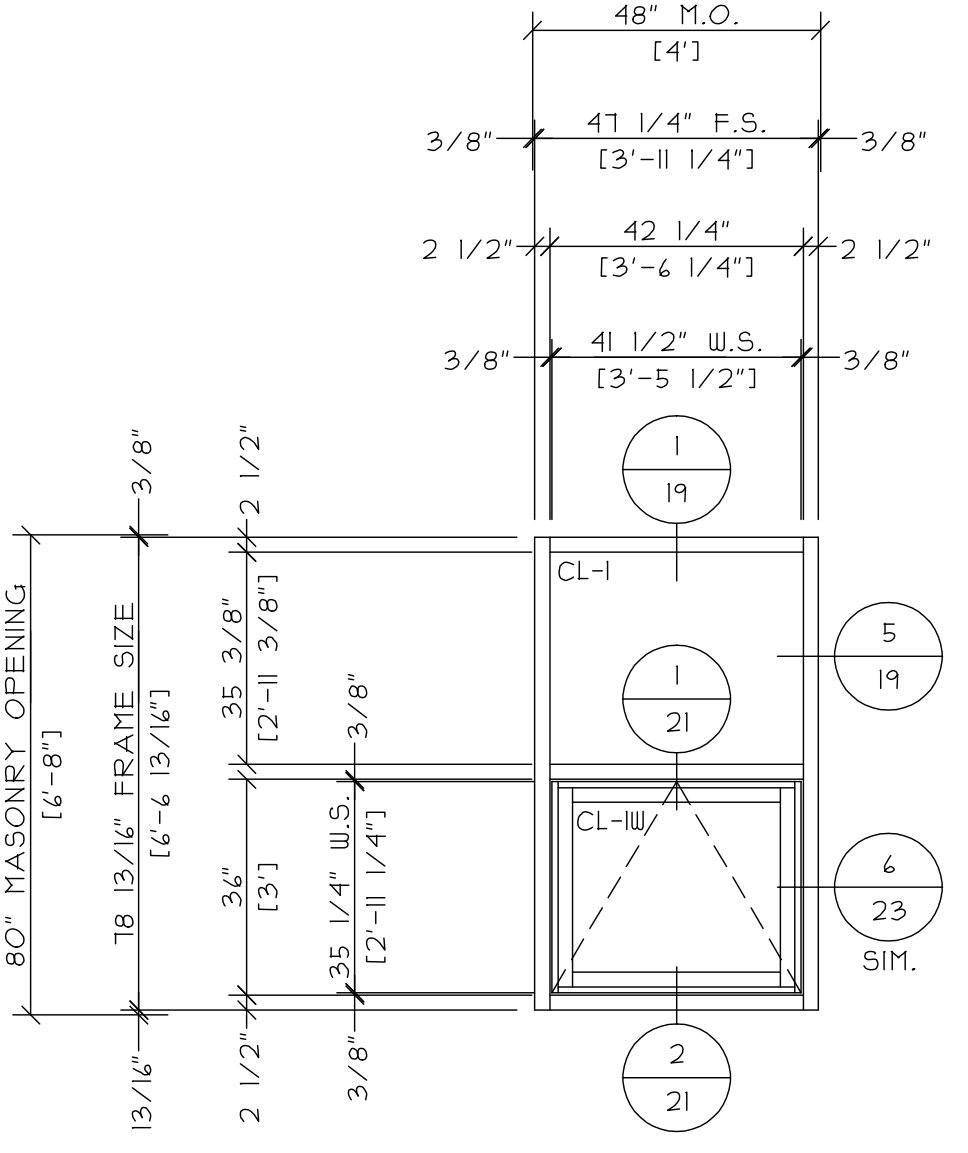
ARCHITECT:
SAMPLE SAMPLE SAMPLE
SAMPLE SAMPLE SAMPLE
SAMPLE SAMPLE SAMPLE
SAMPLE SAMPLE SAMPLE
SAMPLE SAMPLE SAMPLE

PROJECT:	LOCATION:
SAMPLE SAMPLE SAMPLE	SAMPLE SAMPLE SAMPLE
SAMPLE SAMPLE SAMPLE	SAMPLE SAMPLE SAMPLE

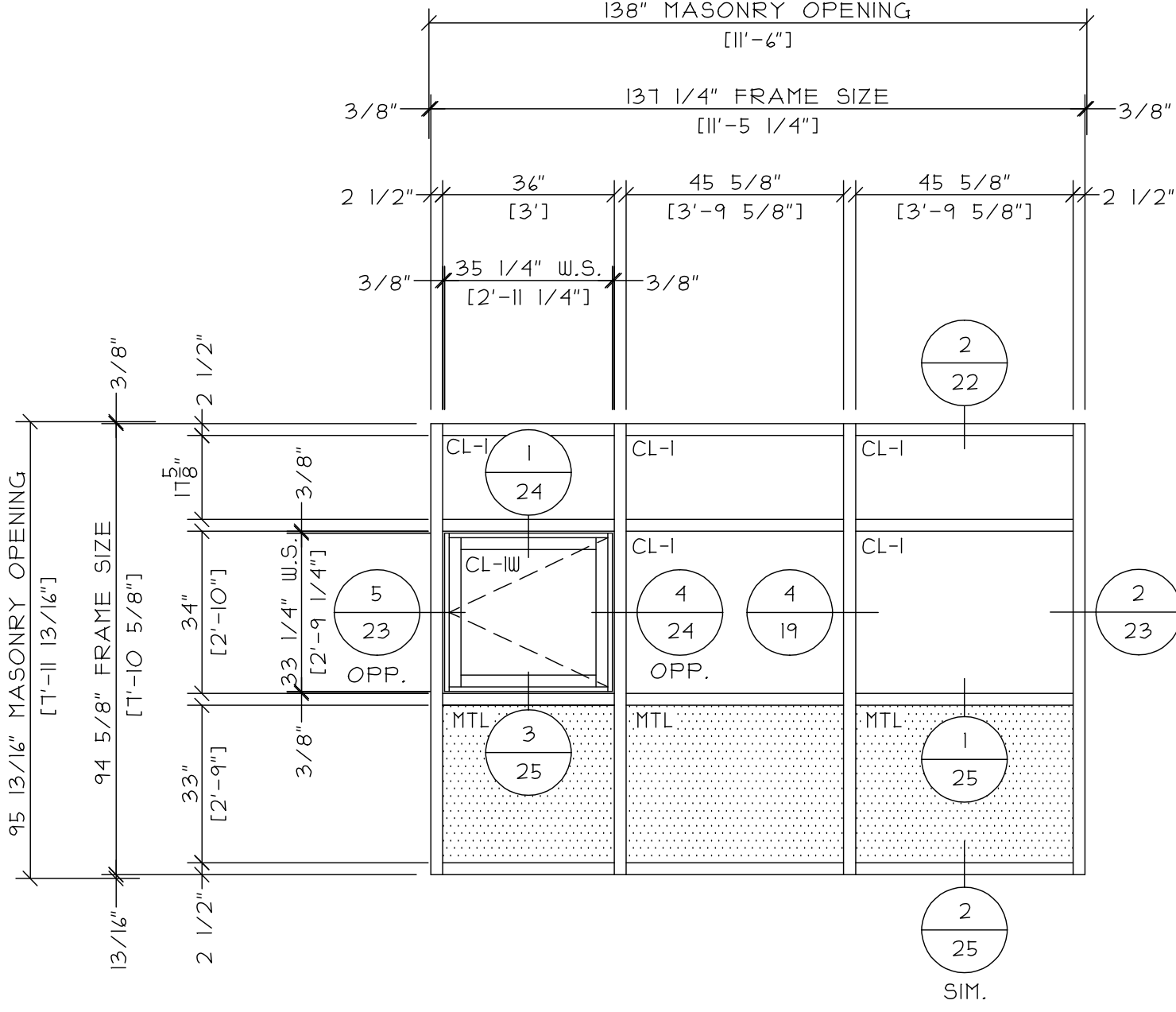
SCALE: 3/8" = 1'-0"
DATE: SAMPLE
PAGE: 8 of 44



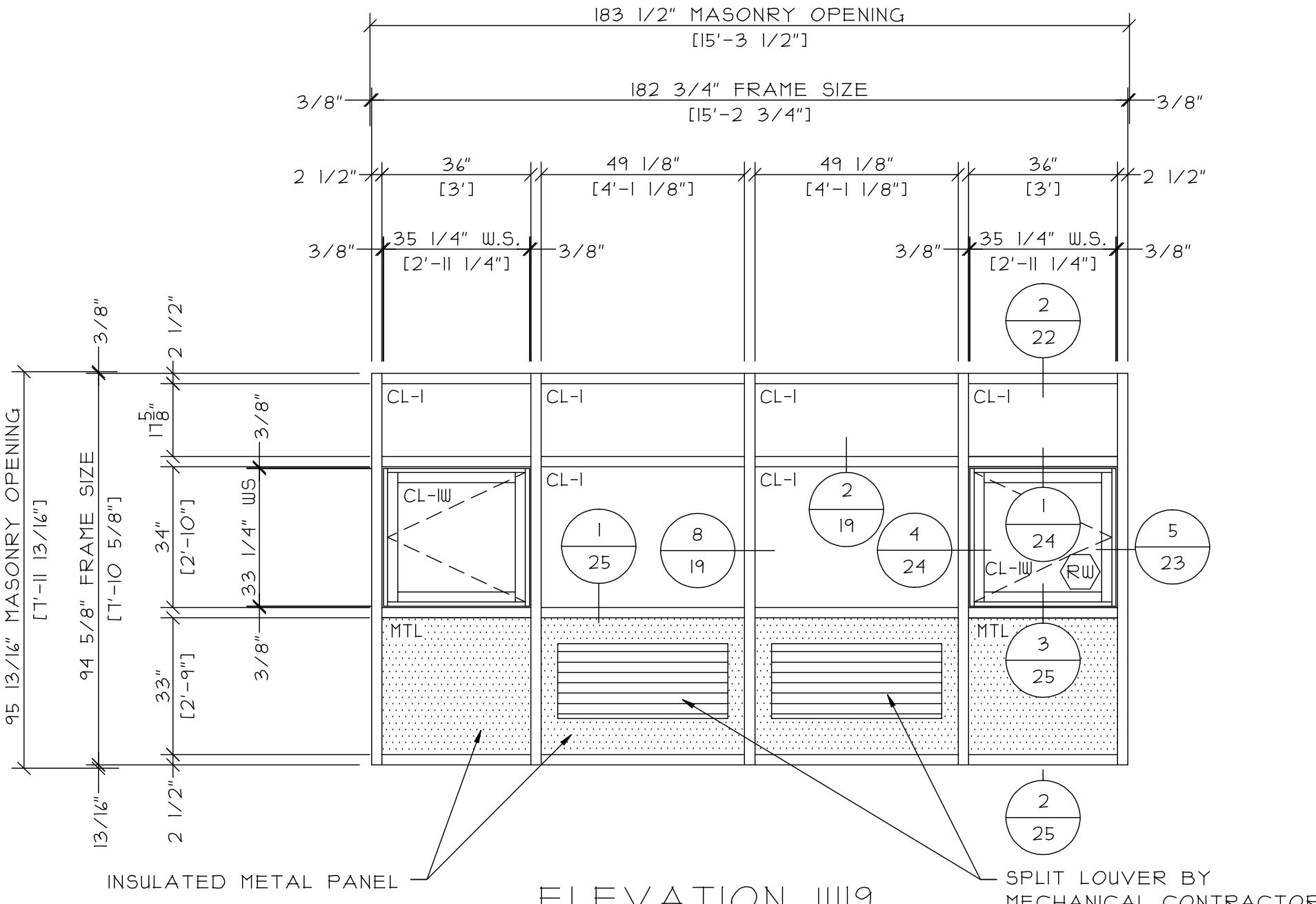
ELEVATION W14
2 TOTAL
 YHS 50 TU WITH FRP DOOR
 DOOR D131A, HW #1A
 DOOR D144C, HW #1A



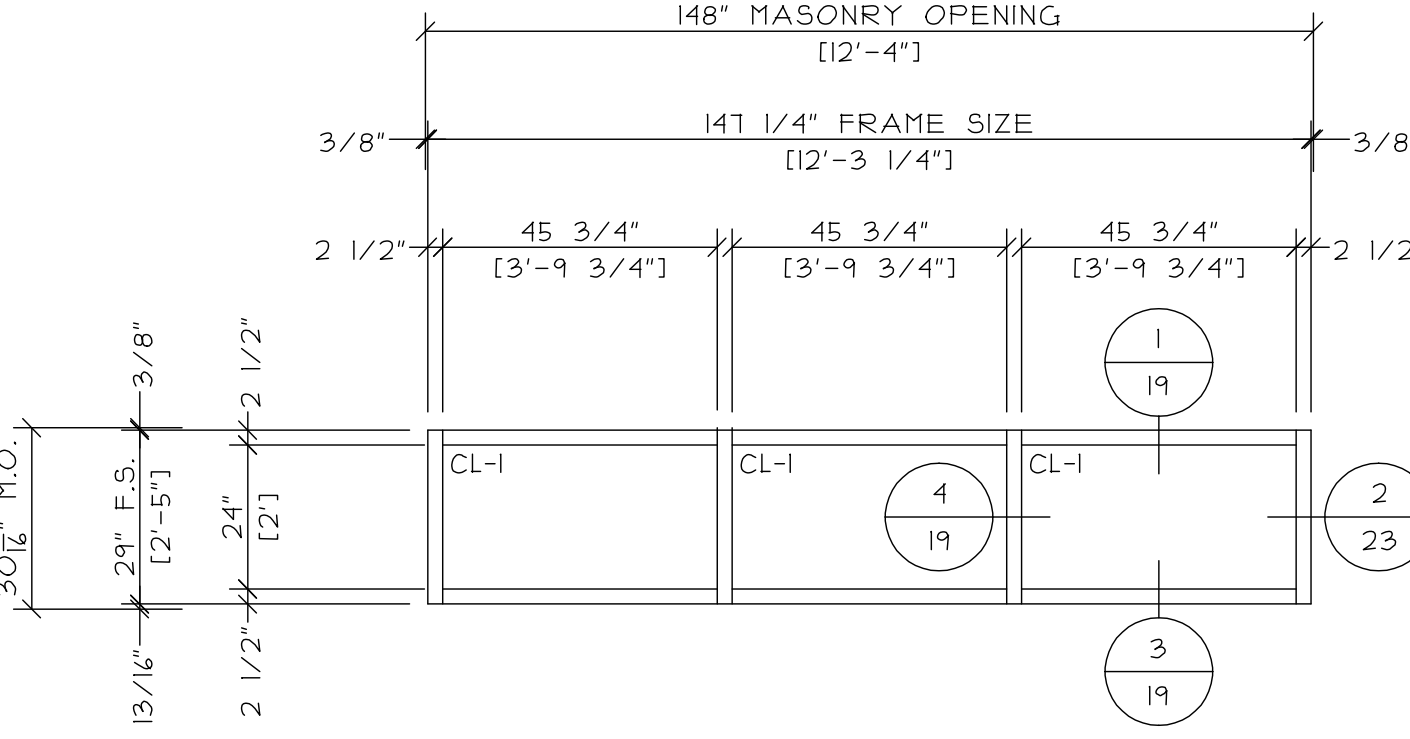
ELEVATION W15
6 TOTAL
 YHS 50 TU WITH
 YOW 225 TUH WINDOW



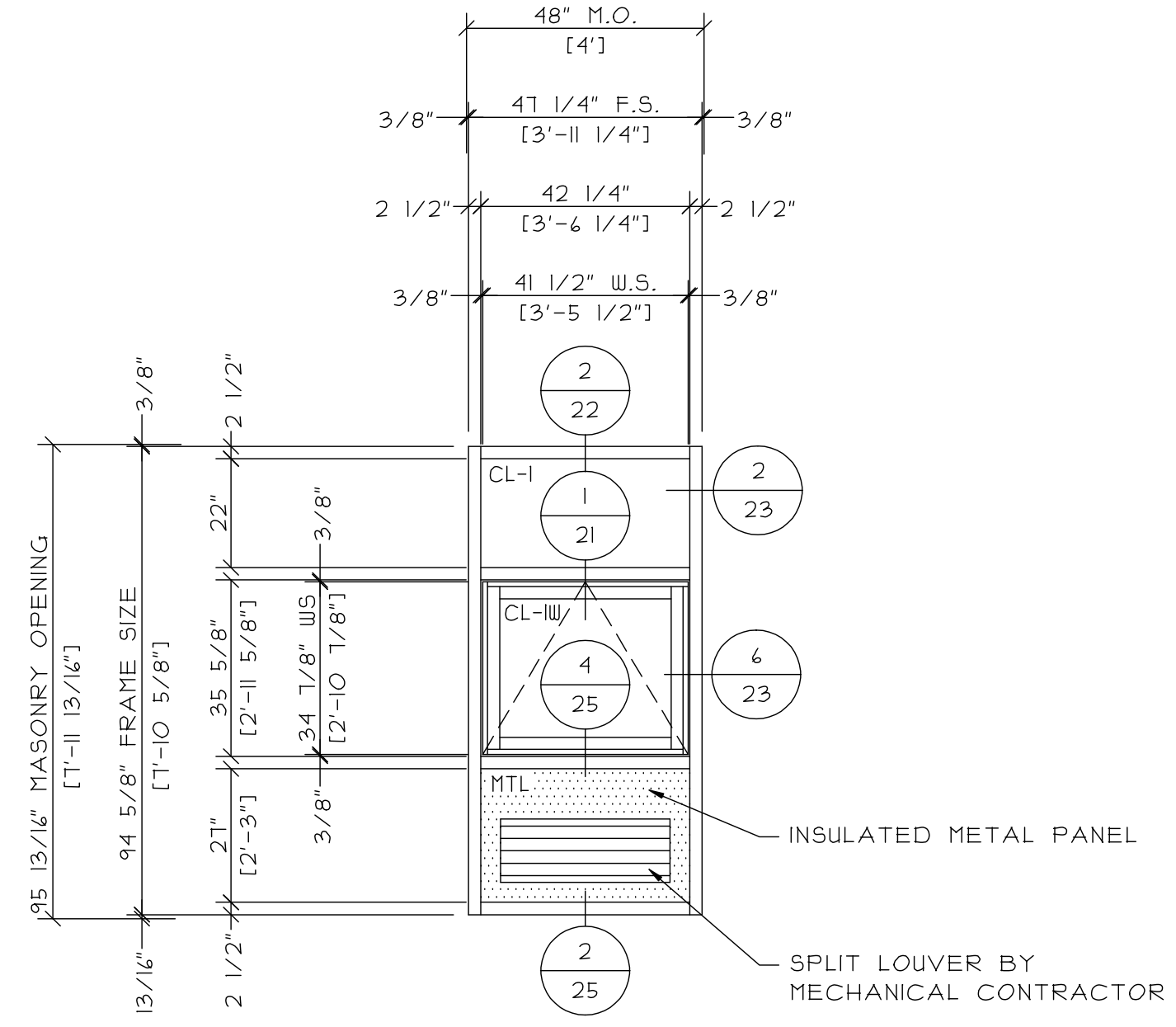
ELEVATION W18
2 TOTAL
 YHS 50 TU WITH
 YOW 225 TUH WINDOW



ELEVATION W19
4 TOTAL
 YHS 50 TU WITH
 YOW 225 TUH WINDOWS



ELEVATION W20
1 TOTAL
 YHS 50 TU



ELEVATION W21
1 TOTAL
 YHS 50 TU WITH
 YOW 225 TUH WINDOW

- VERIFY AND COORDINATE ALL
 MASONRY OPENINGS -

(R.W.) - DENOTES LOCATION OF RESCUE WINDOW
 PROVIDE 3"X5" "RESCUE WINDOW" STICKER
 AND HARDWARE AS NOTED.

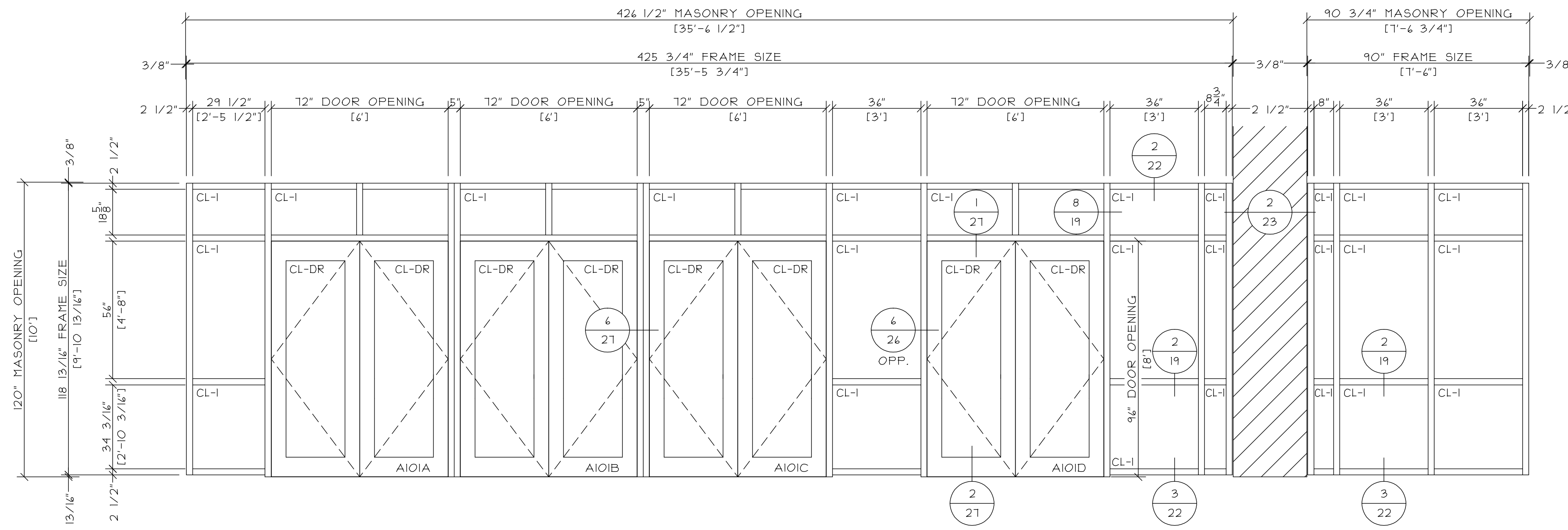
REVISIONS	DATE

GLAZING CONTRACTOR:
 SAMPLE SAMPLE SAMPLE
 SAMPLE SAMPLE SAMPLE
 SAMPLE SAMPLE SAMPLE
 SAMPLE SAMPLE SAMPLE

ARCHITECT:
 SAMPLE SAMPLE SAMPLE
 SAMPLE SAMPLE SAMPLE
 SAMPLE SAMPLE SAMPLE
 SAMPLE SAMPLE SAMPLE

PROJECT: SAMPLE SAMPLE SAMPLE
 LOCATION: SAMPLE SAMPLE SAMPLE

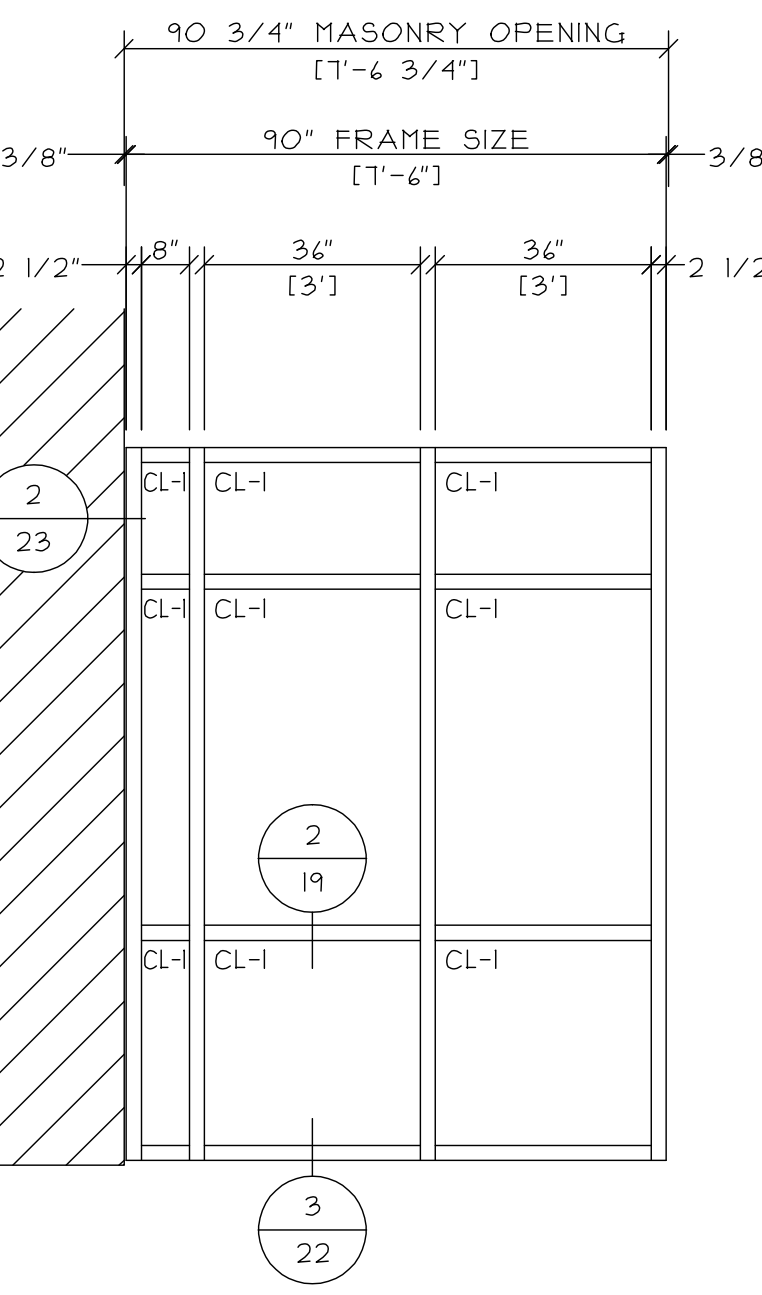
SCALE:
 3/8" = 1'-0"
 DATE:
 SAMPLE
 PAGE:
 9 of 44



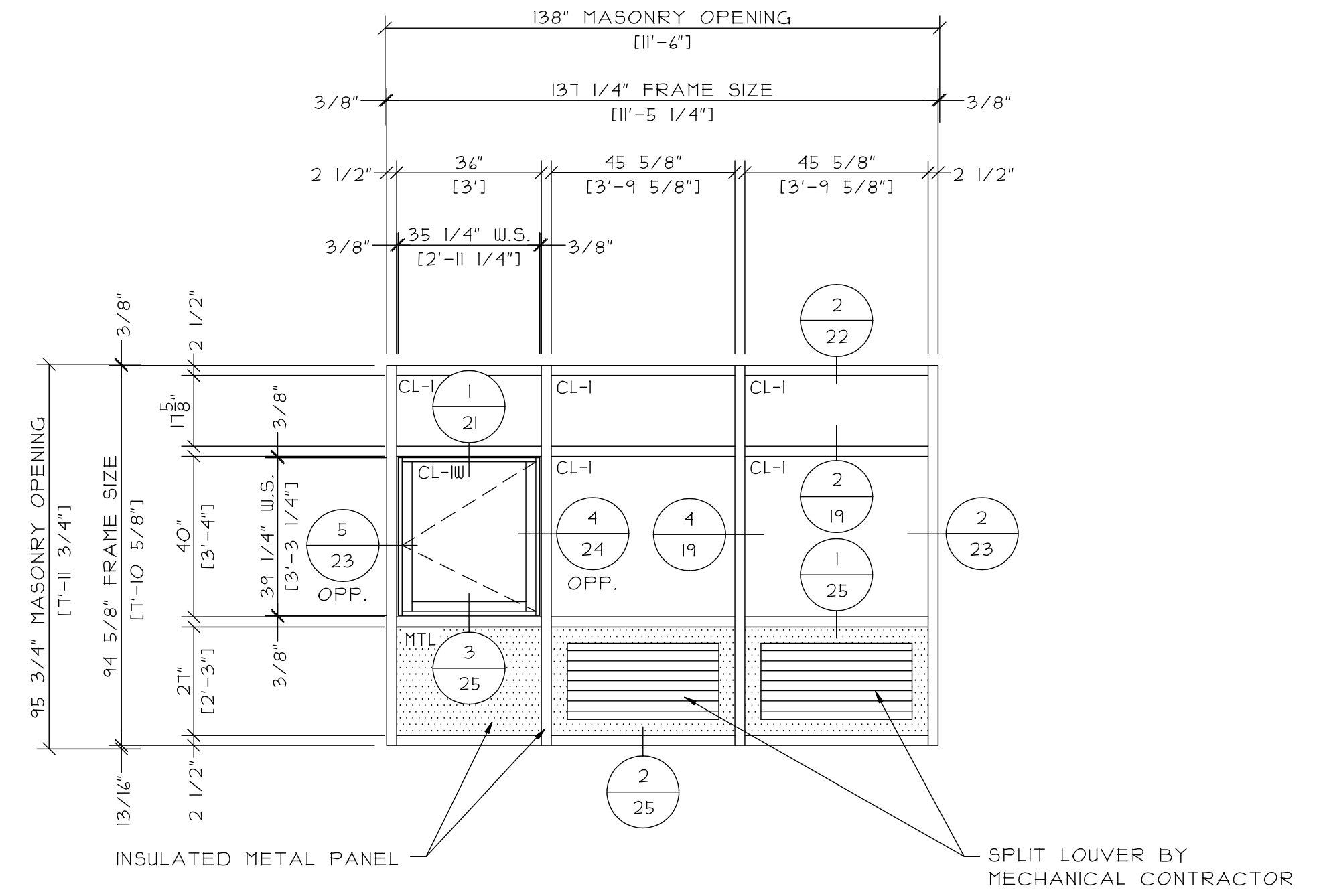
ELEVATION W23
 1 TOTAL
 YHS 50 TU WITH 35H DOORS
 DOOR AIOIA, AIOIB, AIOIC,
 DOOR AIOID, ALL HW #1

- VERIFY AND COORDINATE ALL
 MASONRY OPENINGS -

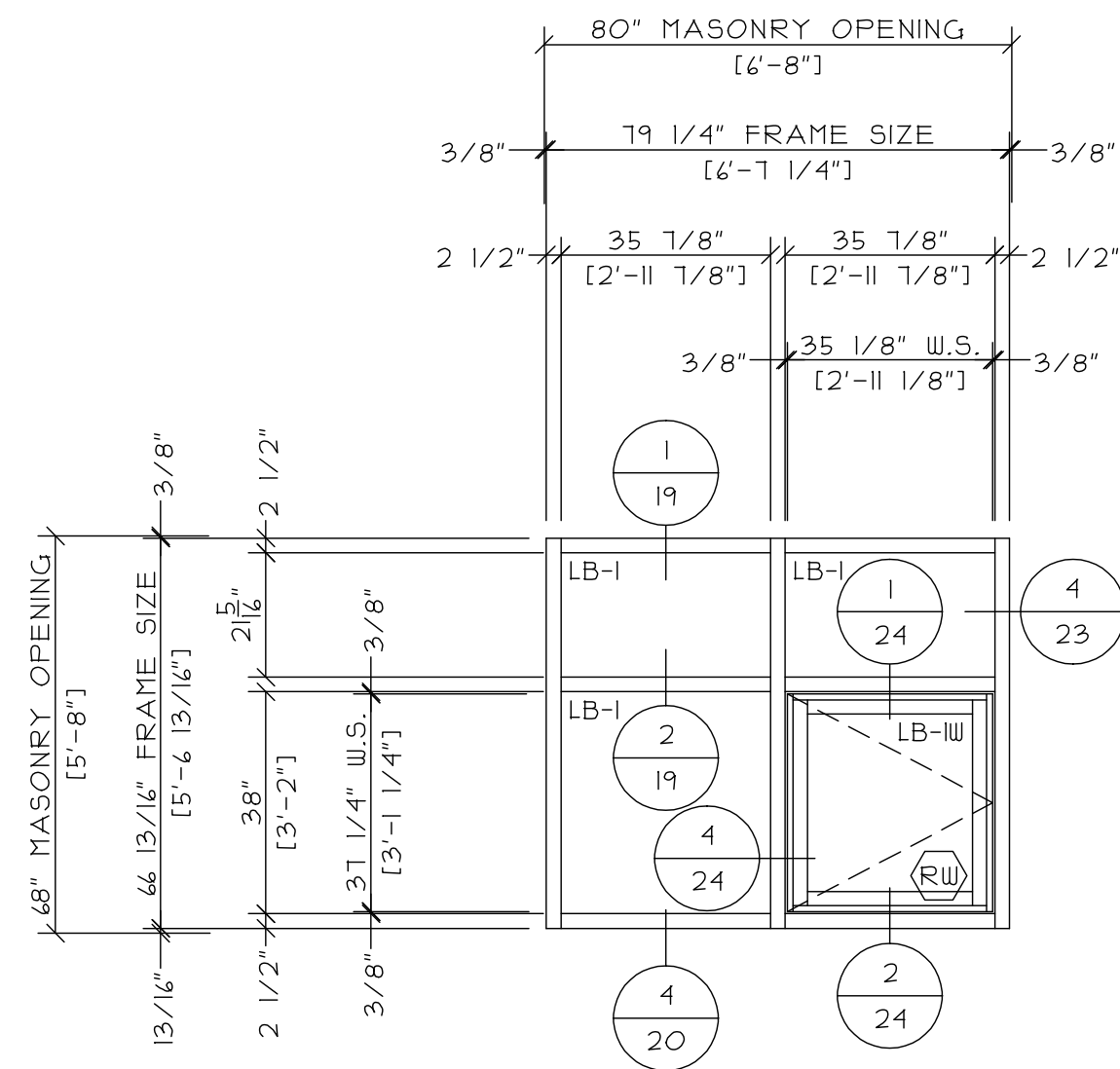
(RW) - DENOTES LOCATION OF RESCUE WINDOW
 PROVIDE 3"x5" "RESCUE WINDOW" STICKER
 AND HARDWARE AS NOTED.



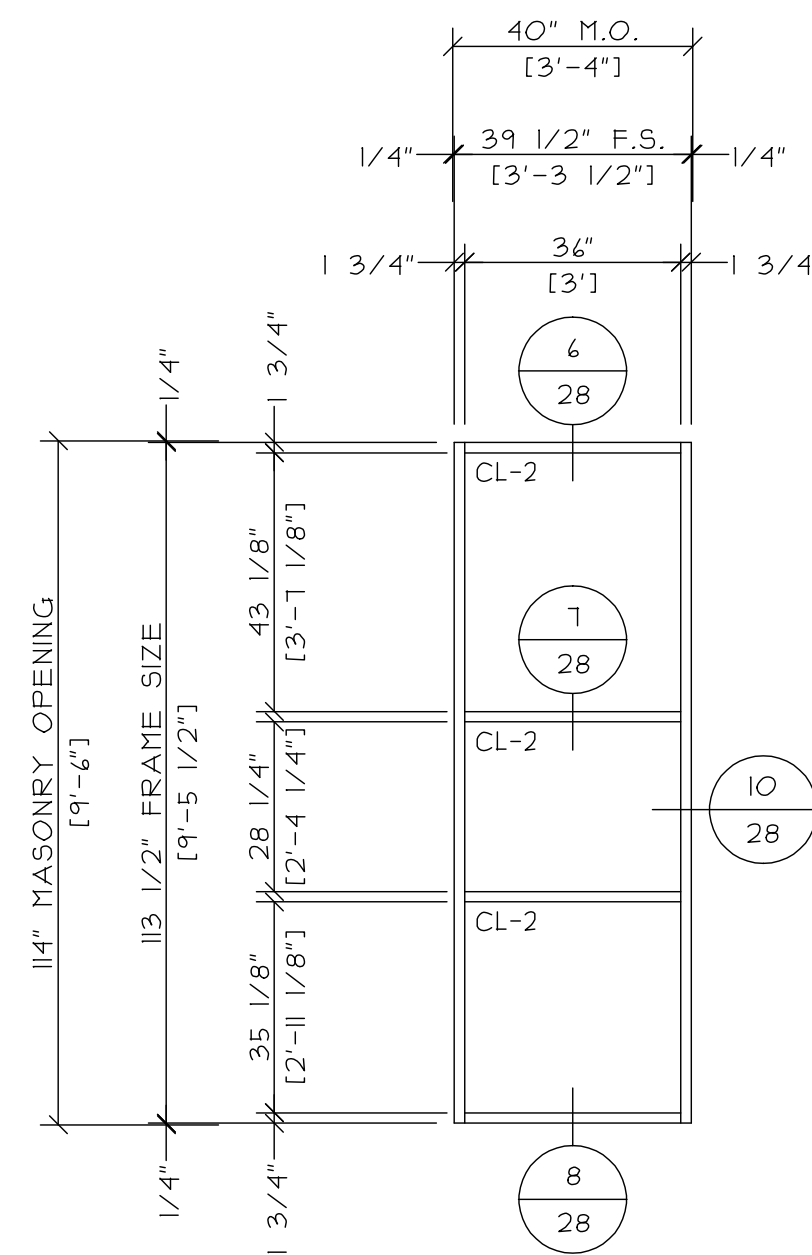
ELEVATION W23A
 1 TOTAL
 YHS 50 TU



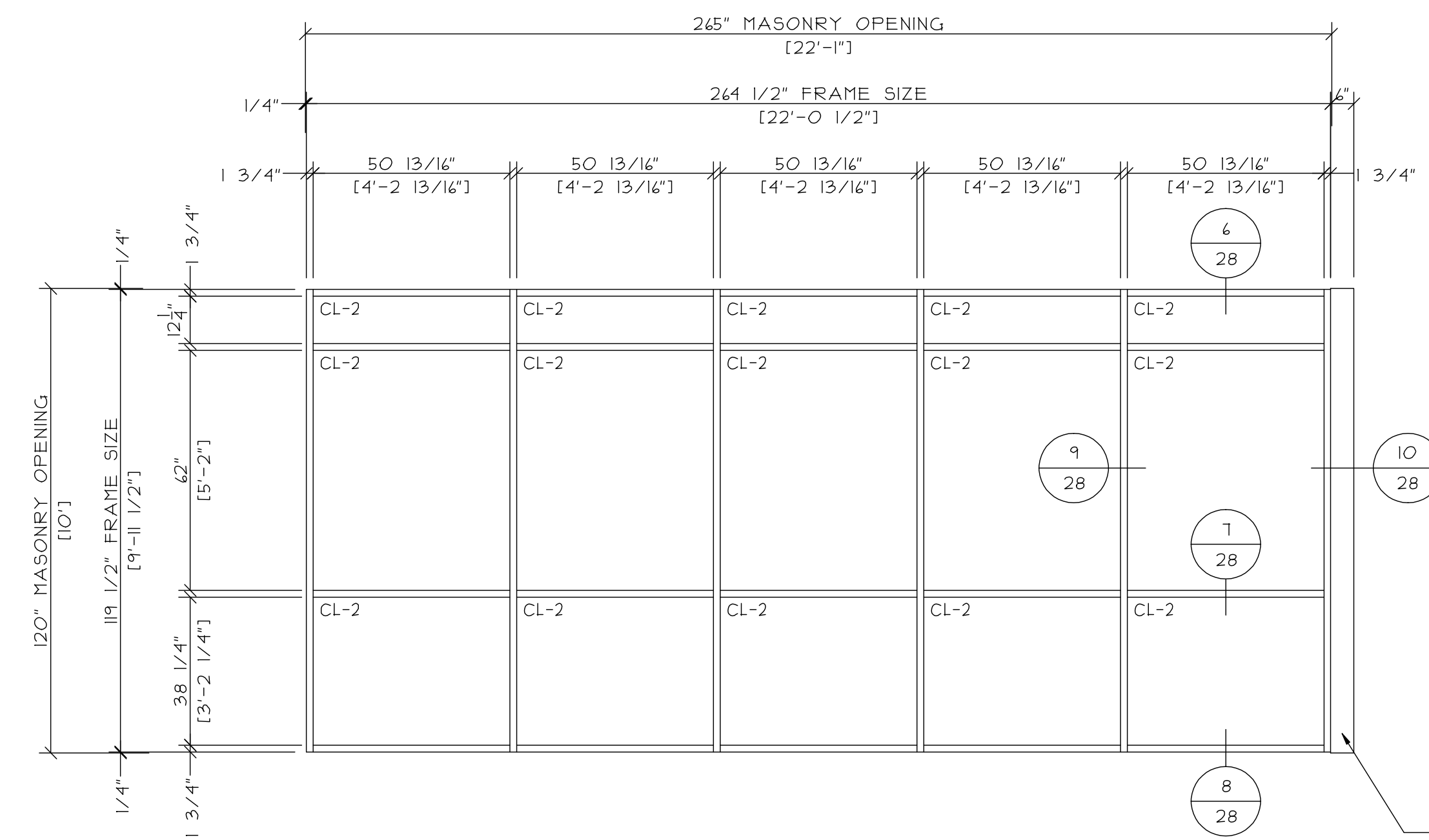
ELEVATION W24
 1 TOTAL
 YHS 50 TU WITH
 YOW 225 TUH WINDOW



ELEVATION W25
 3 TOTAL
 YHS 50 TU WITH
 YOW 225 TUH WINDOW



ELEVATION 5
 1 TOTAL
 YES 45 FS



ELEVATION 12
 1 TOTAL
 YES 45 FS

PROVIDE ALUMINUM CLADDING
 ON COLUMN/POST TO MATCH
 STOREFRONT FRAMING

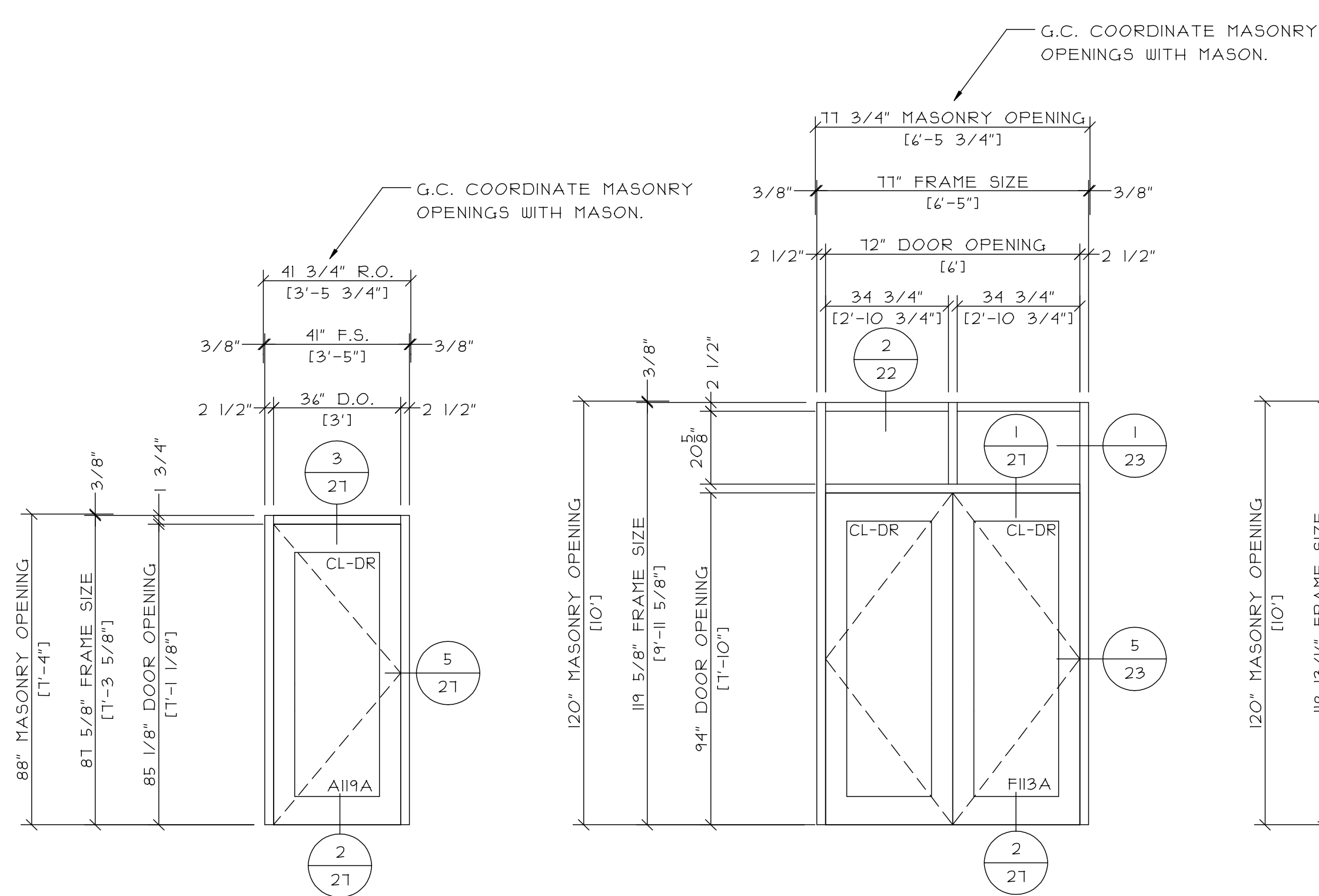
REVISIONS	DATE

GLAZING CONTRACTOR:
 SAMPLE SAMPLE SAMPLE
 SAMPLE SAMPLE SAMPLE
 SAMPLE SAMPLE SAMPLE
 SAMPLE SAMPLE SAMPLE
 SAMPLE SAMPLE SAMPLE

ARCHITECT:
 SAMPLE SAMPLE SAMPLE
 SAMPLE SAMPLE SAMPLE
 SAMPLE SAMPLE SAMPLE
 SAMPLE SAMPLE SAMPLE
 SAMPLE SAMPLE SAMPLE

PROJECT: SAMPLE SAMPLE SAMPLE
LOCATION: SAMPLE SAMPLE SAMPLE

SCALE:
 3/8" = 1'-0"
DATE:
 SAMPLE
PAGE:
 10 of 44



DOOR A119A

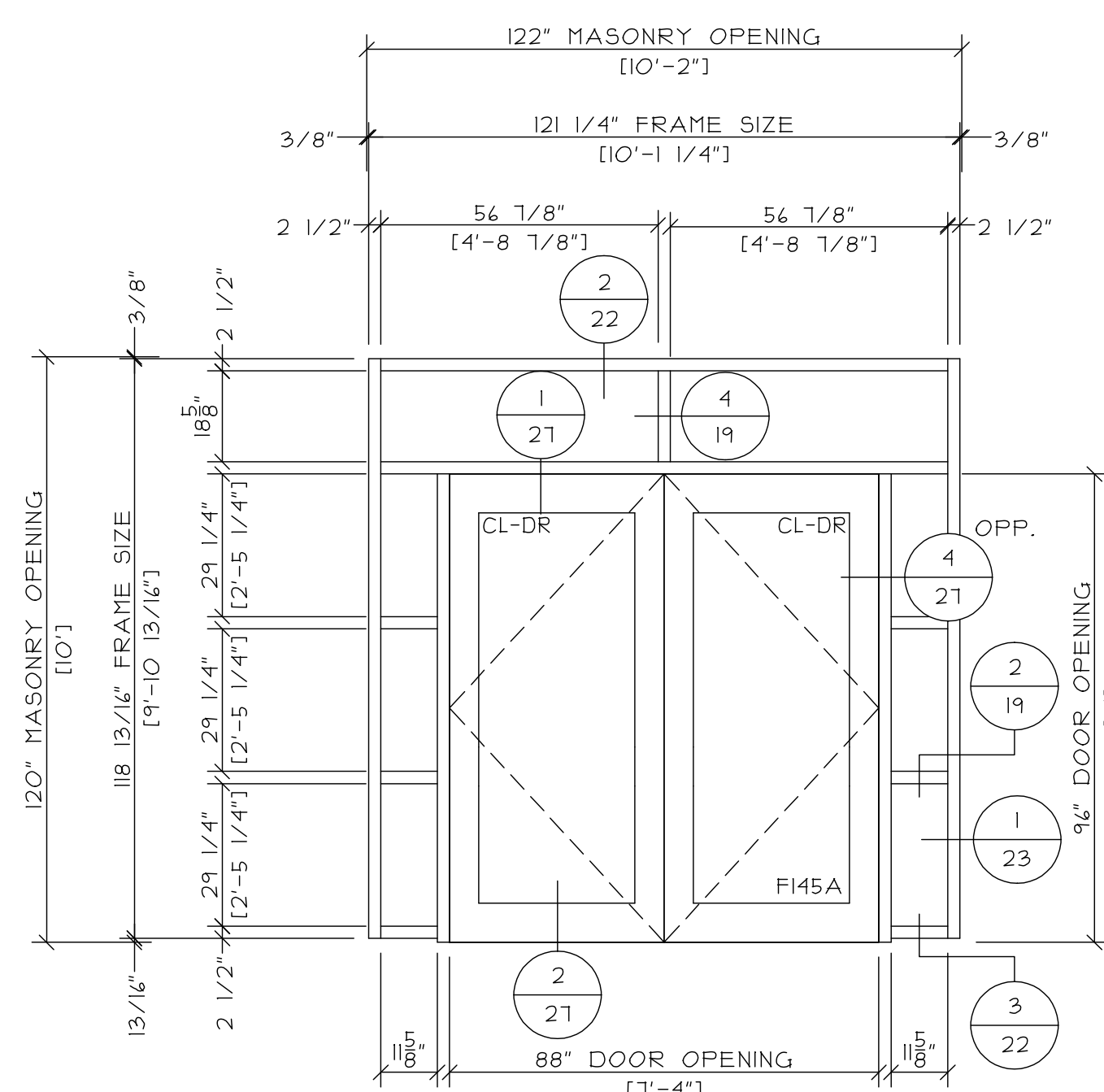
1 TOTAL

YHS 50 TU WITH 35H DOORS
DOOR A119A, HW #1A

DOOR FI13A

1 TOTAL

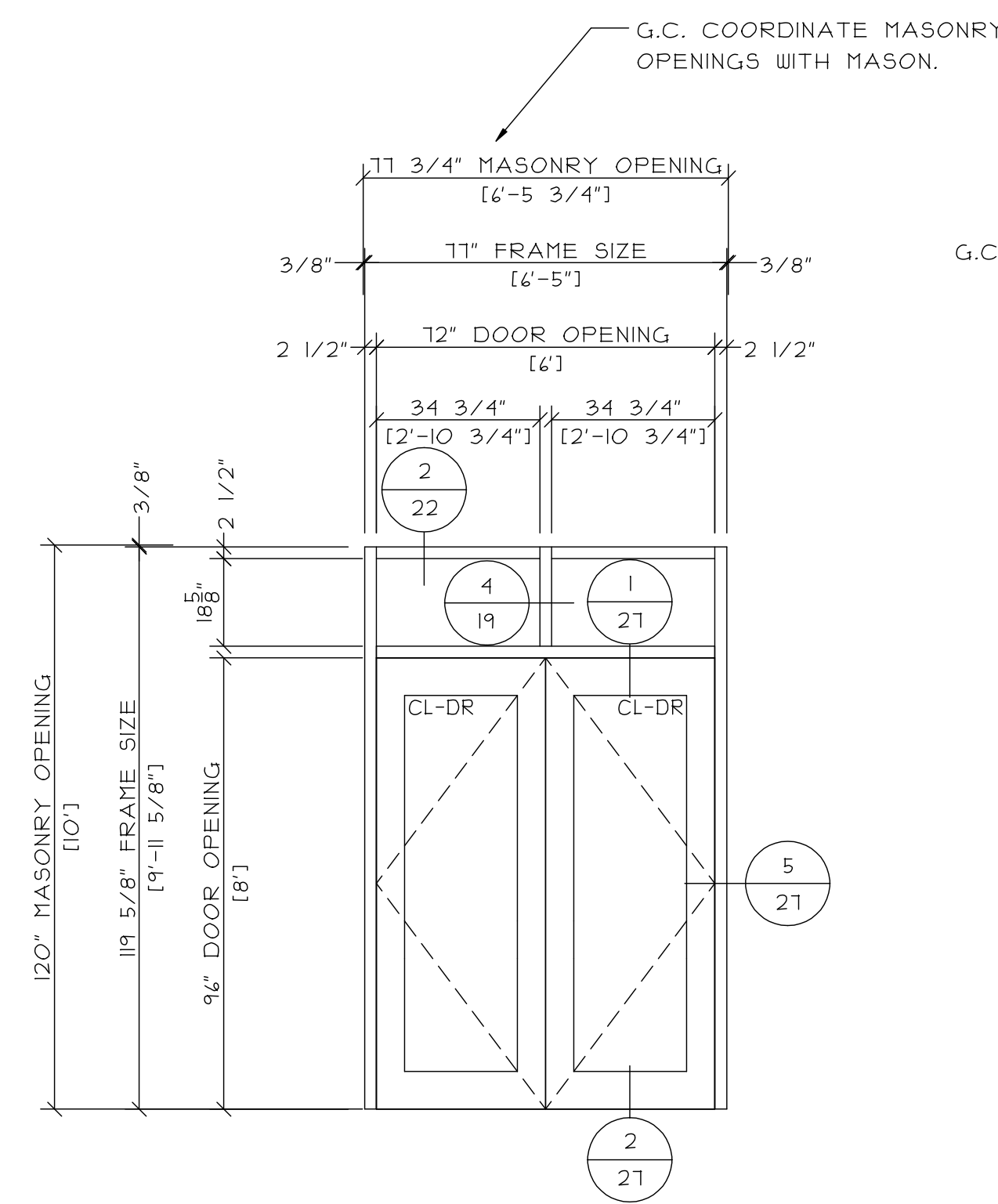
YHS 50 TU WITH 35H DOORS
DOOR FI13A, HW #1



DOOR FI45A

1 TOTAL

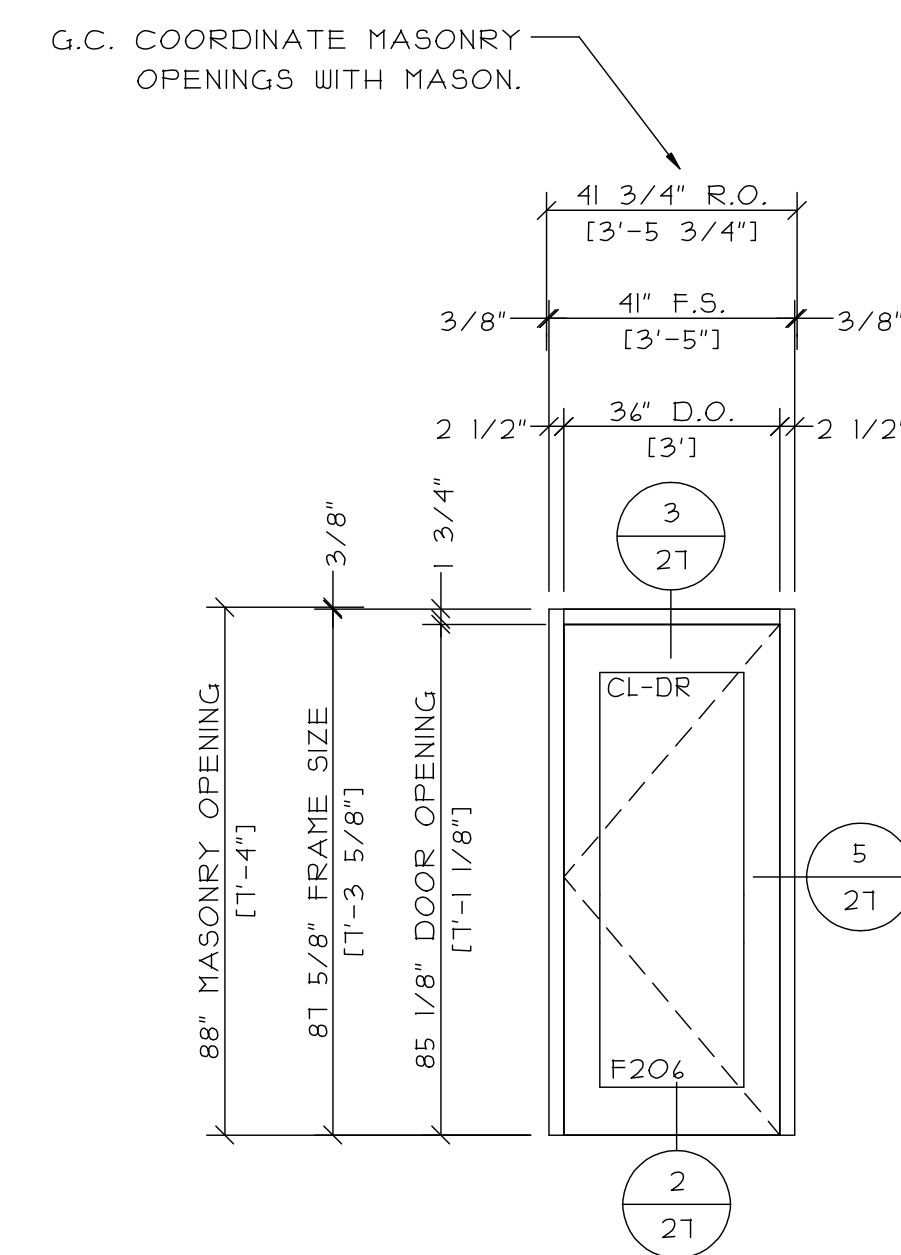
YHS 50 TU WITH 35H DOORS
DOOR FI45A, HW #1



DOOR FI50A & B

1 EACH

YHS 50 TU WITH 35H DOORS
DOOR FI50A, HW #1
DOOR FI50B, HW #1

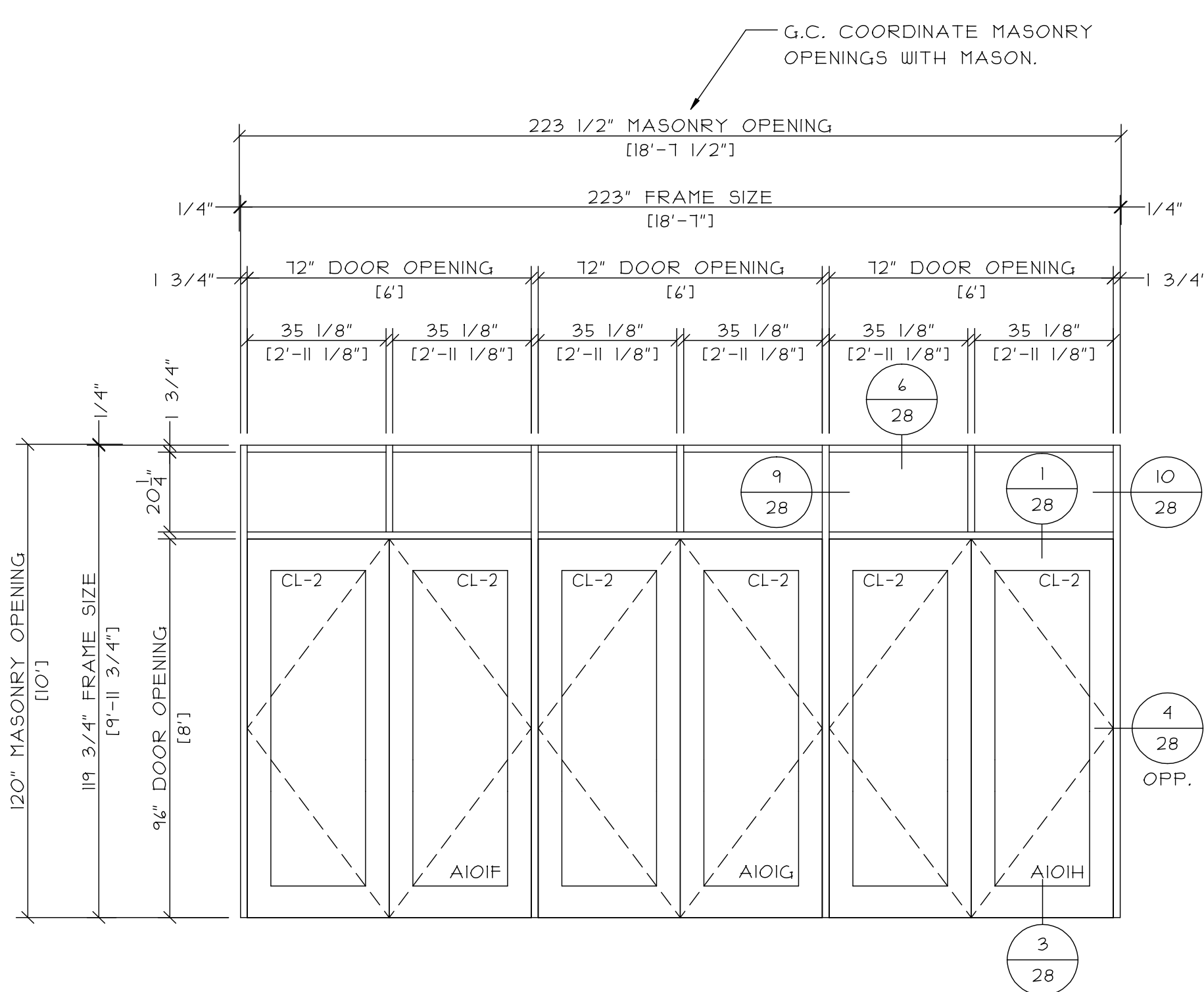


DOOR F206

1 TOTAL

YHS 50 TU WITH 35H DOORS
DOOR F206, HW #1A

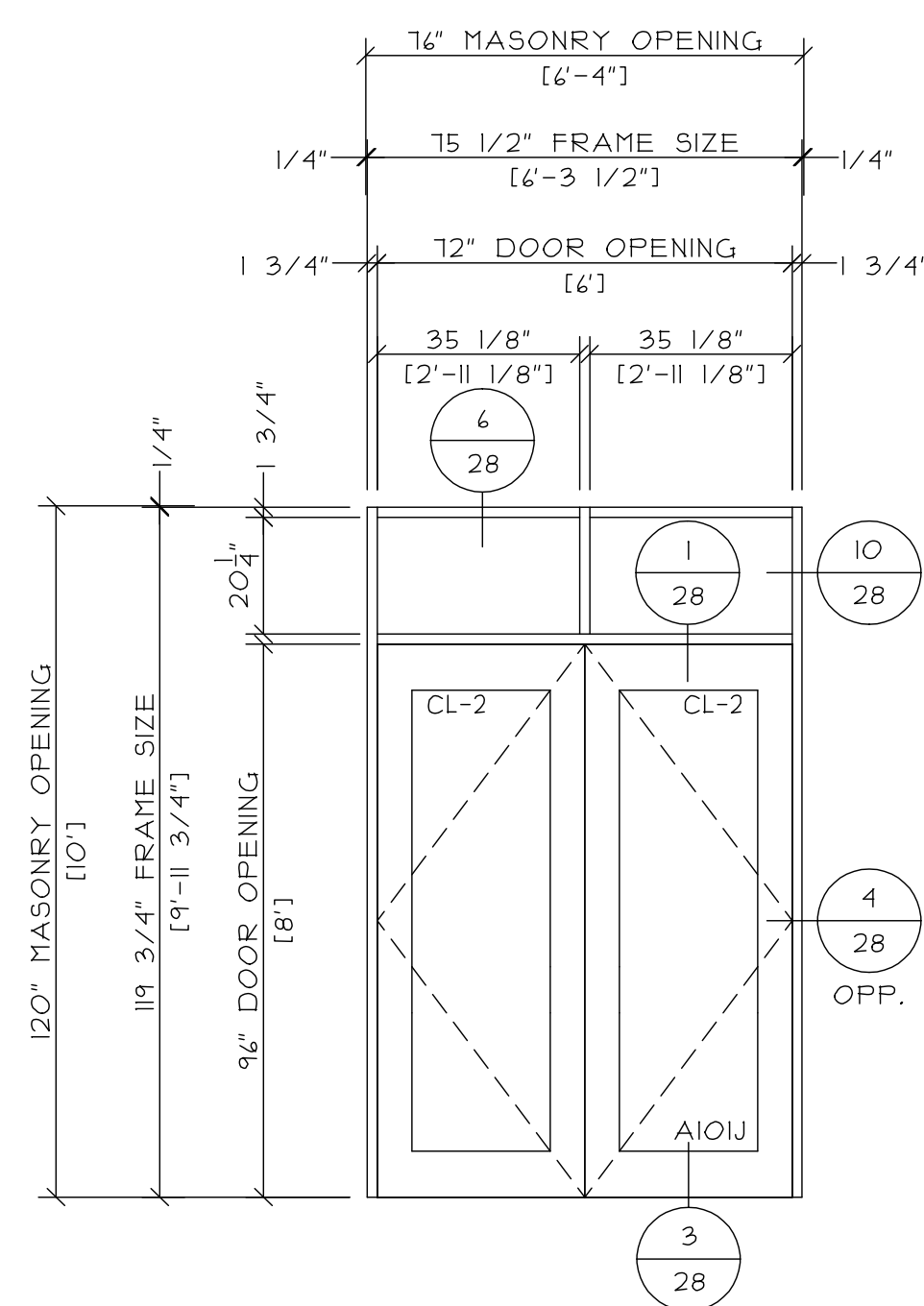
- VERIFY AND COORDINATE ALL
MASONRY OPENINGS WITH MASON -



DOORS AIOIF, G & H

1 TOTAL

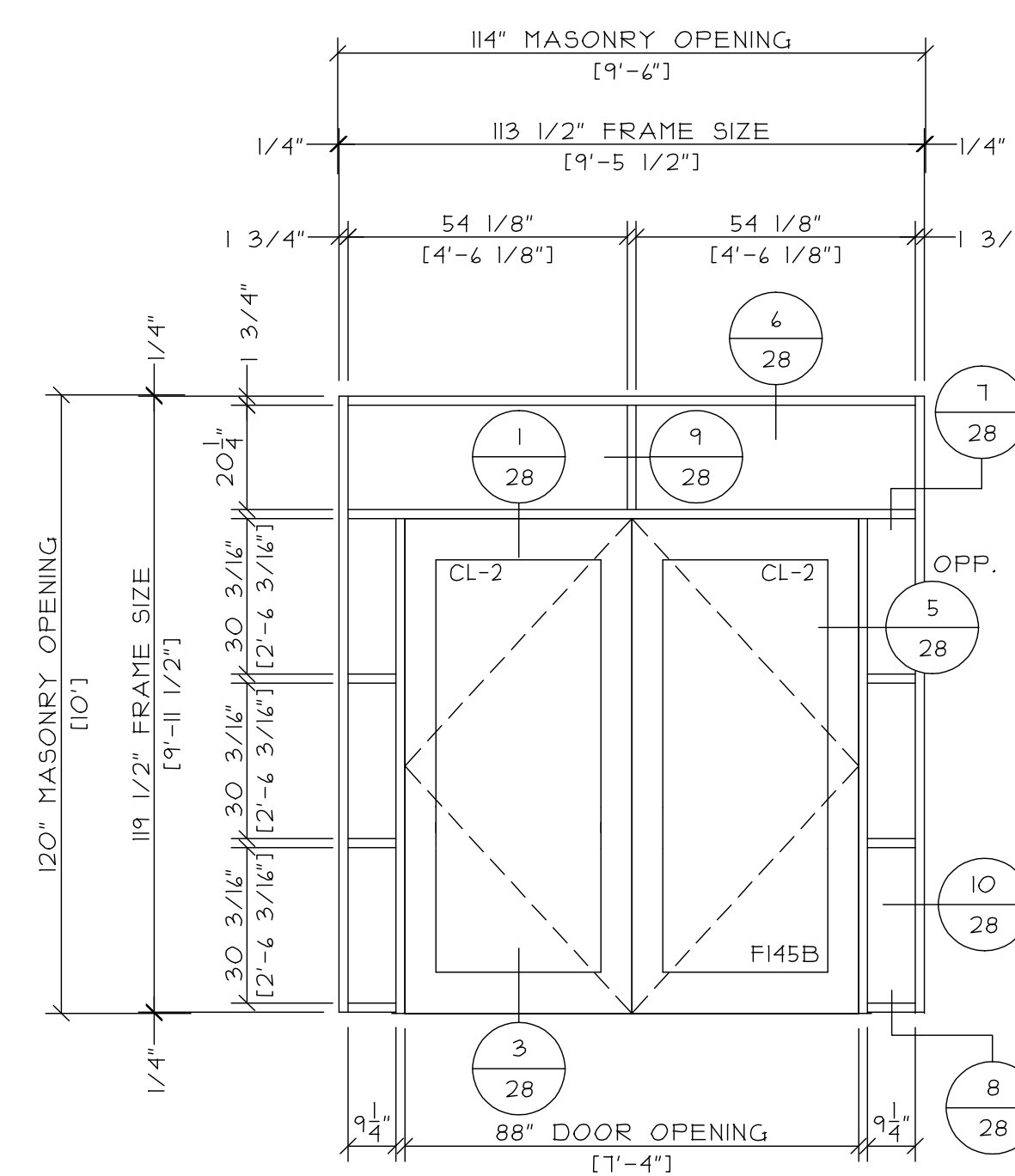
YES 45 FS WITH 35D DOORS
DOOR AIOIF, HW #2
DOOR AIOIG, HW #2
DOOR AIOIH, HW #2



DOOR AIOIJ

1 TOTAL

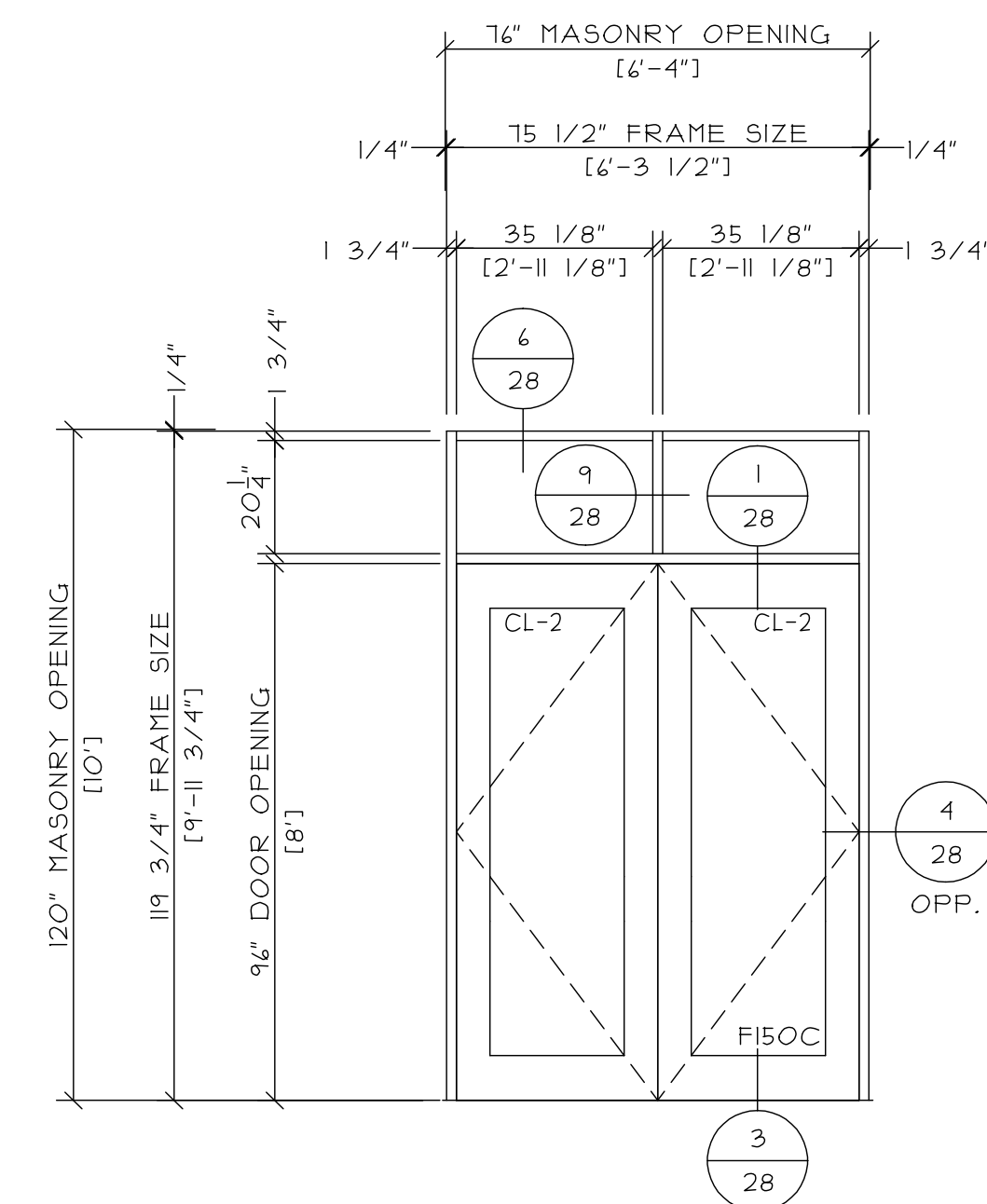
YES 45 FS WITH 35D DOORS
DOOR AIOIJ, HW #2



DOOR FI45B

1 TOTAL

YES 45 FS WITH 35D DOORS
DOOR FI45B, HW #2



DOOR FI50C

1 TOTAL

YES 45 FS WITH 35D DOORS
DOOR FI50C, HW #2

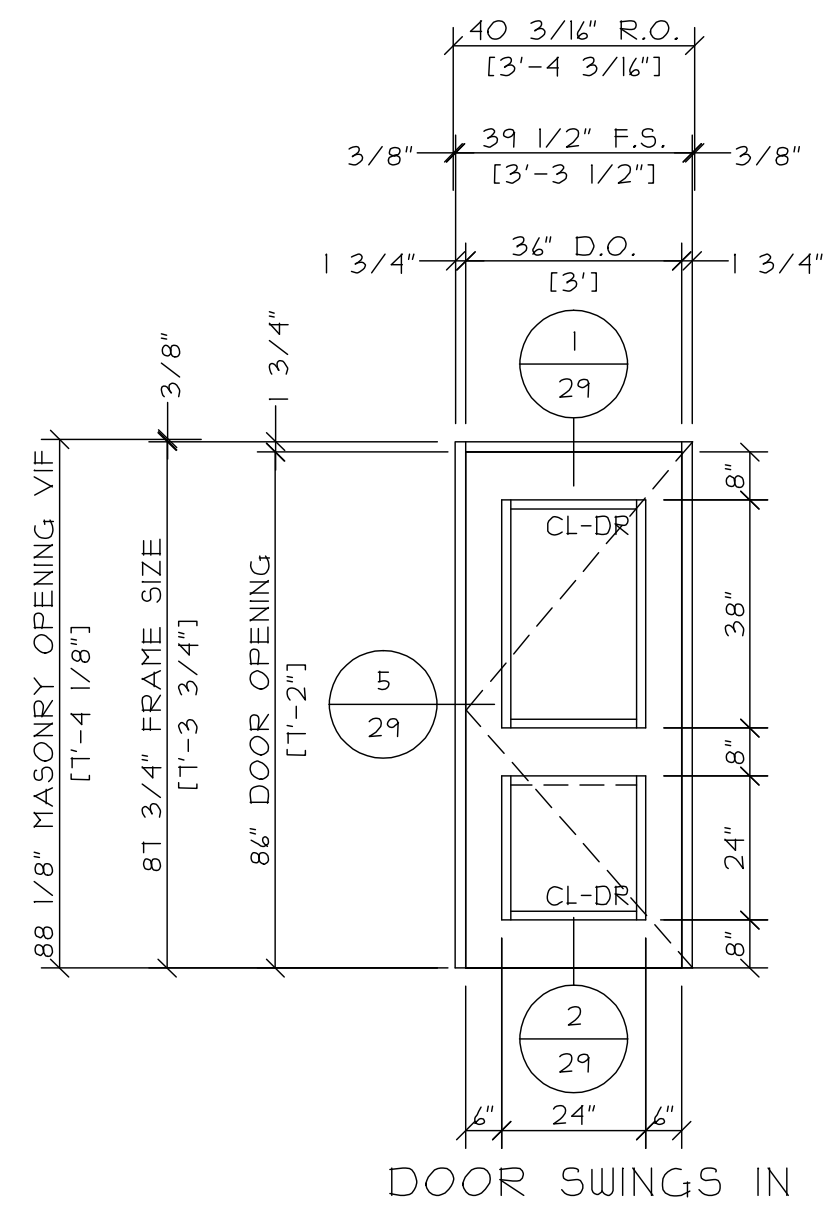
REVISIONS	DATE

GLAZING CONTRACTOR:
SAMPLE SAMPLE SAMPLE
SAMPLE SAMPLE SAMPLE
SAMPLE SAMPLE SAMPLE
SAMPLE SAMPLE SAMPLE
SAMPLE SAMPLE SAMPLE

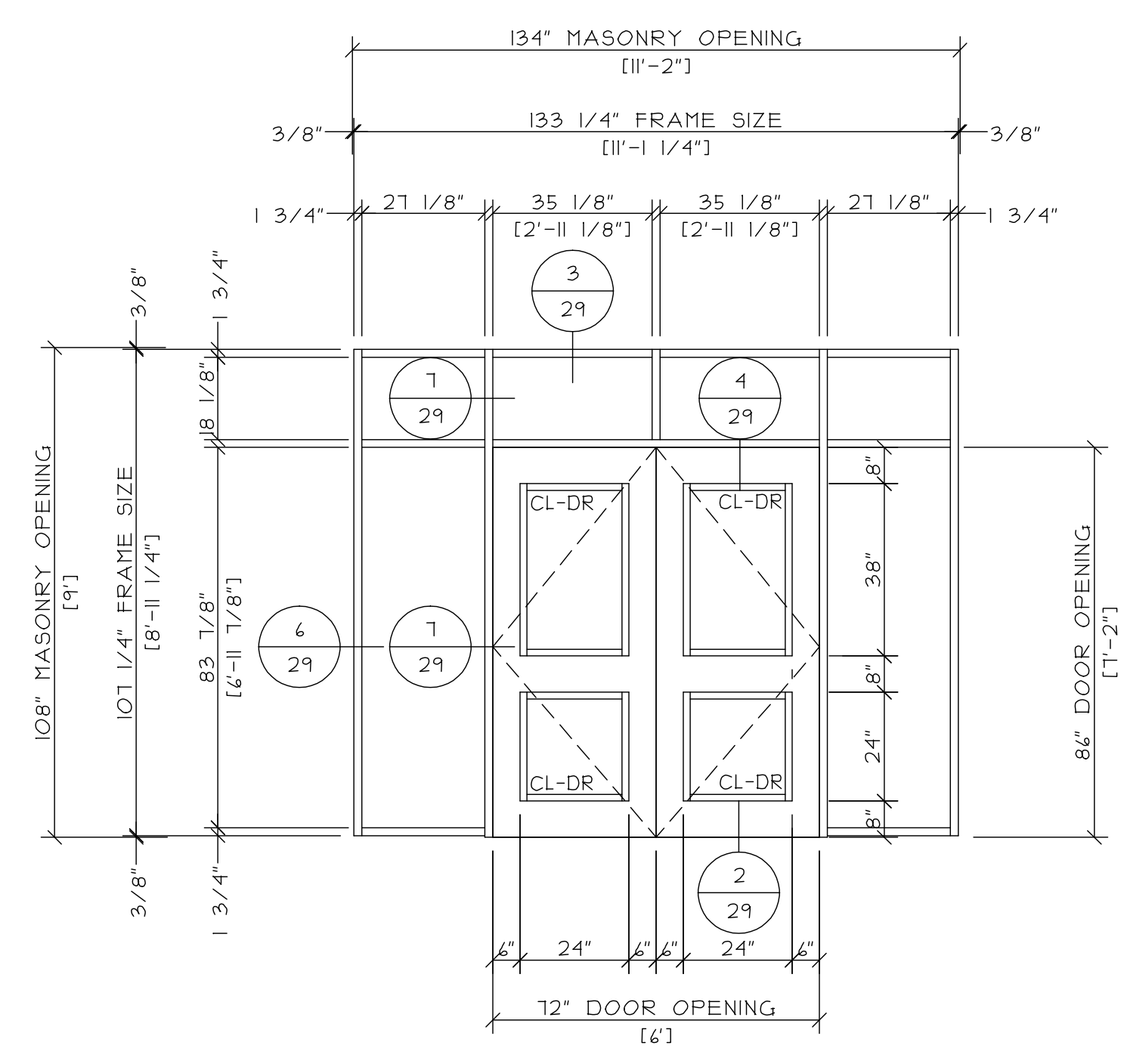
ARCHITECT:
SAMPLE SAMPLE SAMPLE
SAMPLE SAMPLE SAMPLE
SAMPLE SAMPLE SAMPLE
SAMPLE SAMPLE SAMPLE
SAMPLE SAMPLE SAMPLE

PROJECT:	LOCATION:
SAMPLE SAMPLE SAMPLE	SAMPLE SAMPLE SAMPLE

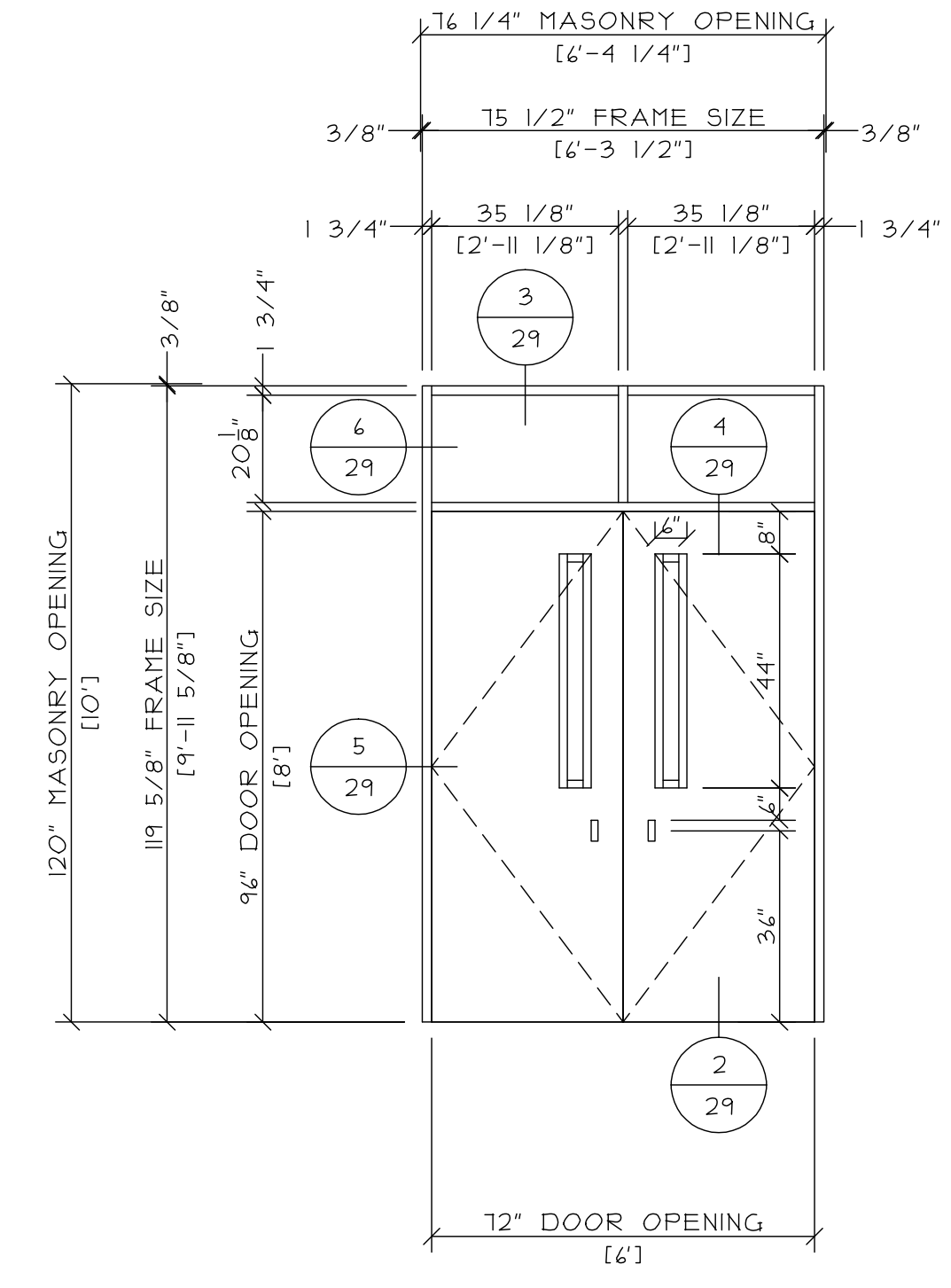
SCALE: 3/8" = 1'-0"
DATE: SAMPLE
PAGE: 11 of 44



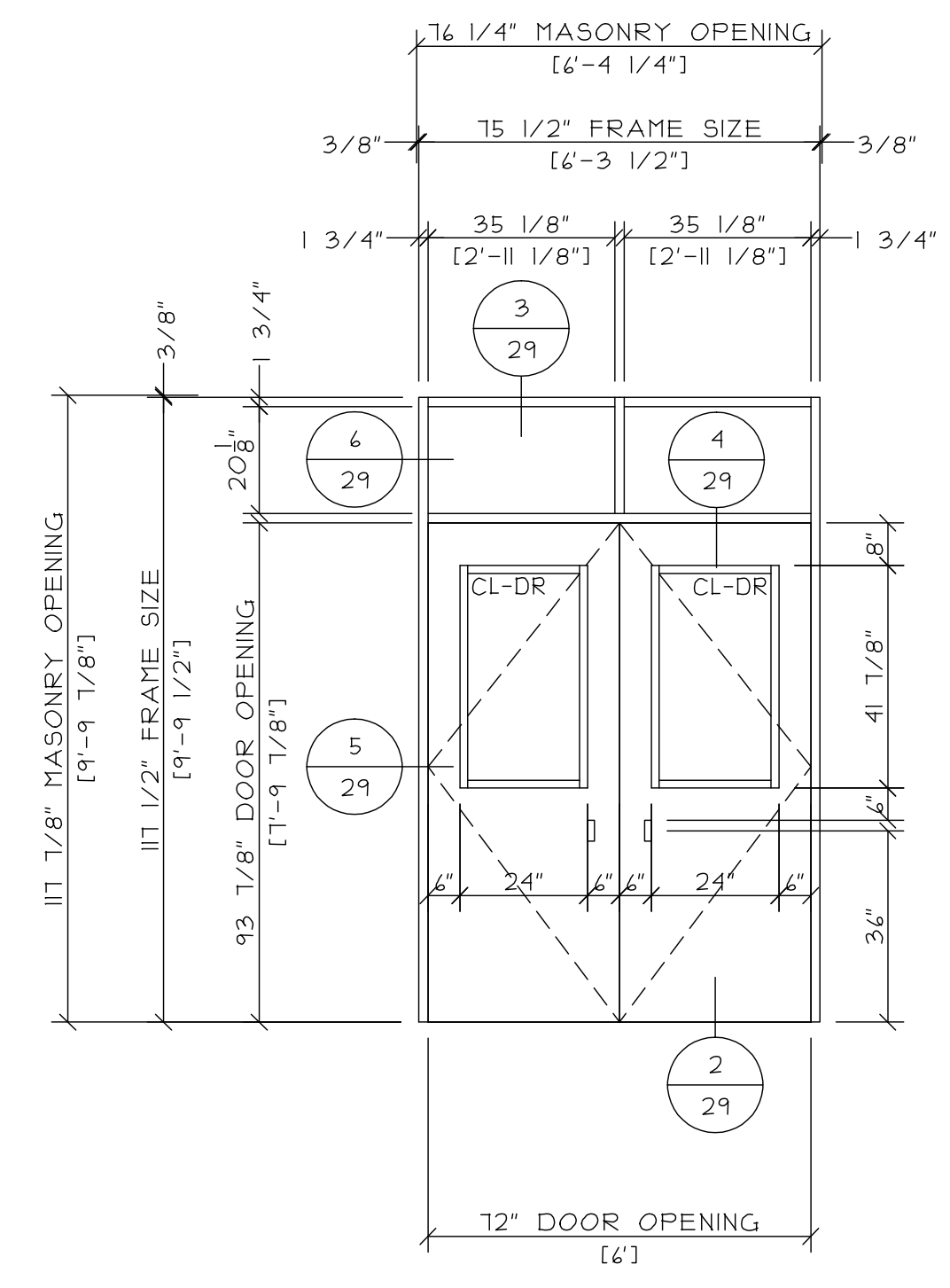
DOOR BIO3B
1 TOTAL
 YKK 5" FRAMES WITH 200BE FRP DOOR
 DOOR BIO3B, HW #14



DOOR BI43C
1 TOTAL
 YKK 5" FRAMES WITH 200BE FRP DOORS
 DOOR BI43C, HW #1

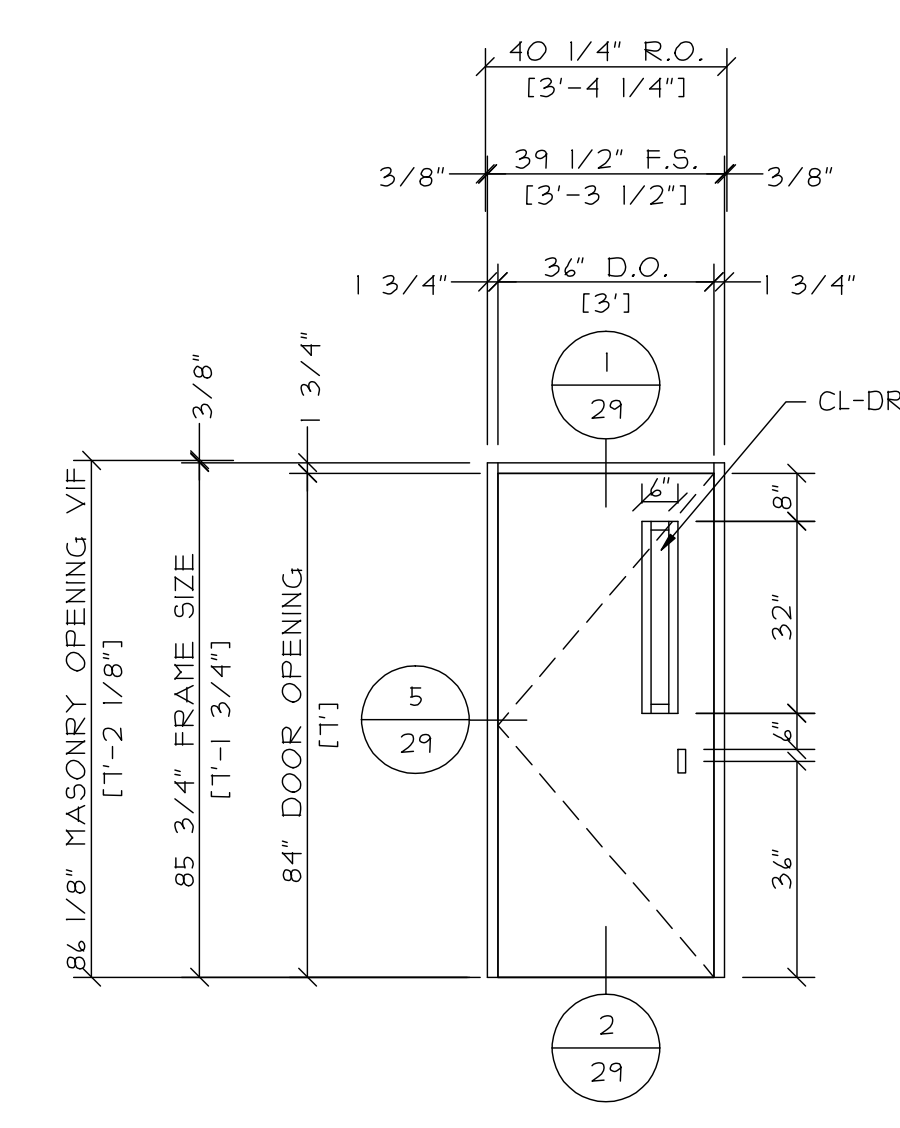


DOOR CIO2A & CI27B
1 EACH
 YKK 5" FRAMES WITH 200BE FRP DOORS
 DOOR CIO2A, HW #1
 DOOR CI27B, HW #1

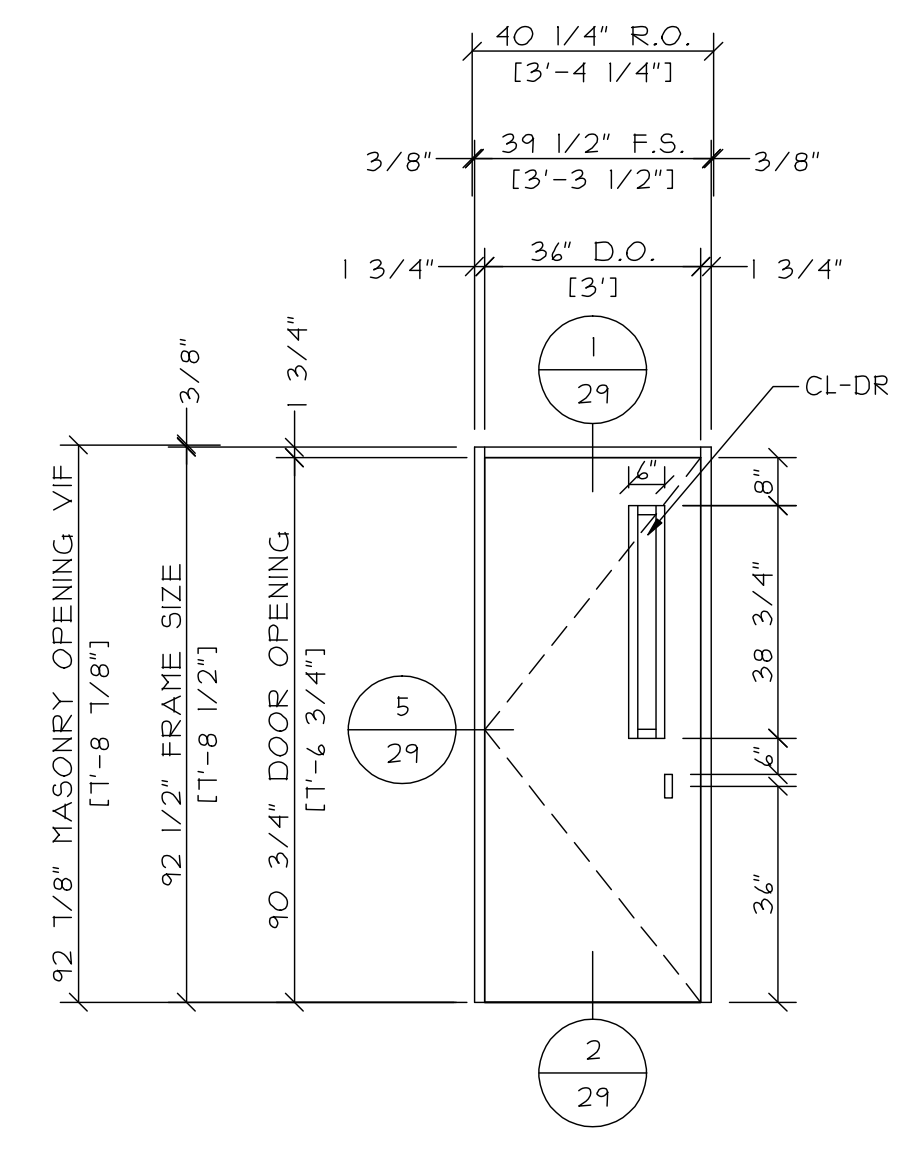


DOOR CI33B, D & CI34A
1 EACH
 YKK 5" FRAMES WITH 200BE FRP DOORS
 DOOR CI33B, HW #1
 DOOR CI33D, HW #1B
 DOOR CI34A, HW #1

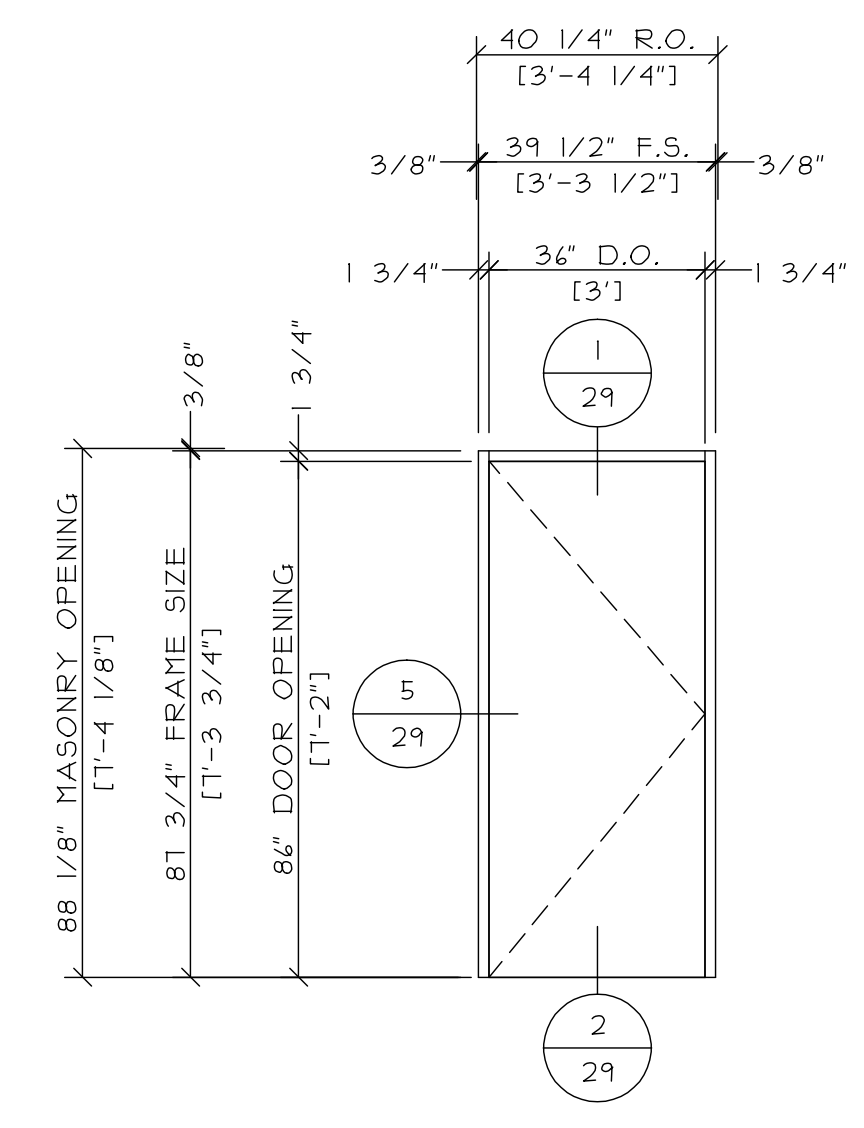
- VERIFY AND COORDINATE ALL MASONRY OPENINGS WITH MASON -



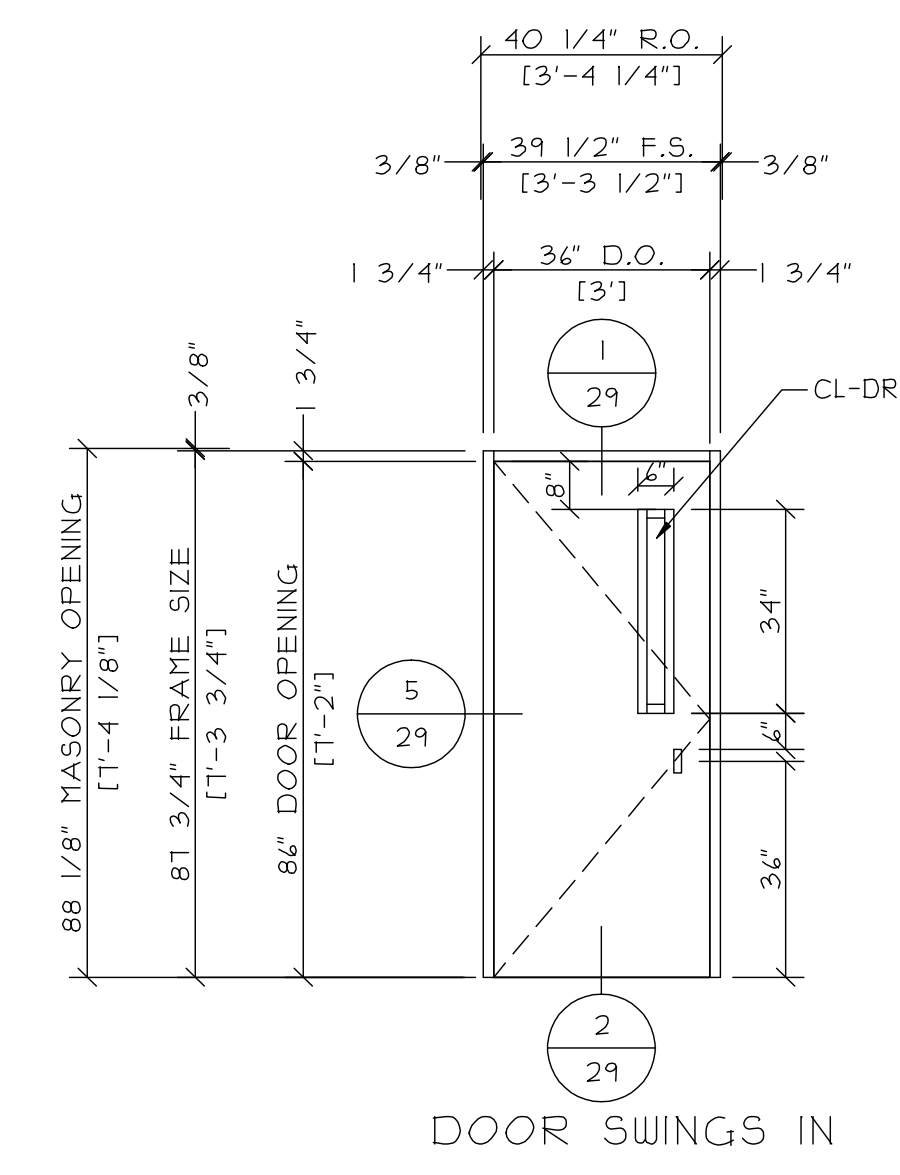
DOOR DI36C & D
1 EACH
 YKK 5" FRAMES WITH 200BE FRP DOOR
 DOOR DI36C, HW #1A
 DOOR DI36D, HW #1A



DOOR DI41B
1 EACH
 YKK 5" FRAMES WITH 200BE FRP DOOR
 DOOR DI41B, HW #1A



DOOR GI15A
1 TOTAL
 YKK 5" FRAMES WITH 200BE FRP DOOR
 DOOR GI15A, HW #1A



DOOR GI17A
1 TOTAL
 YKK 5" FRAMES WITH 200BE FRP DOOR
 DOOR GI17A, HW #1A

REVISIONS	DATE

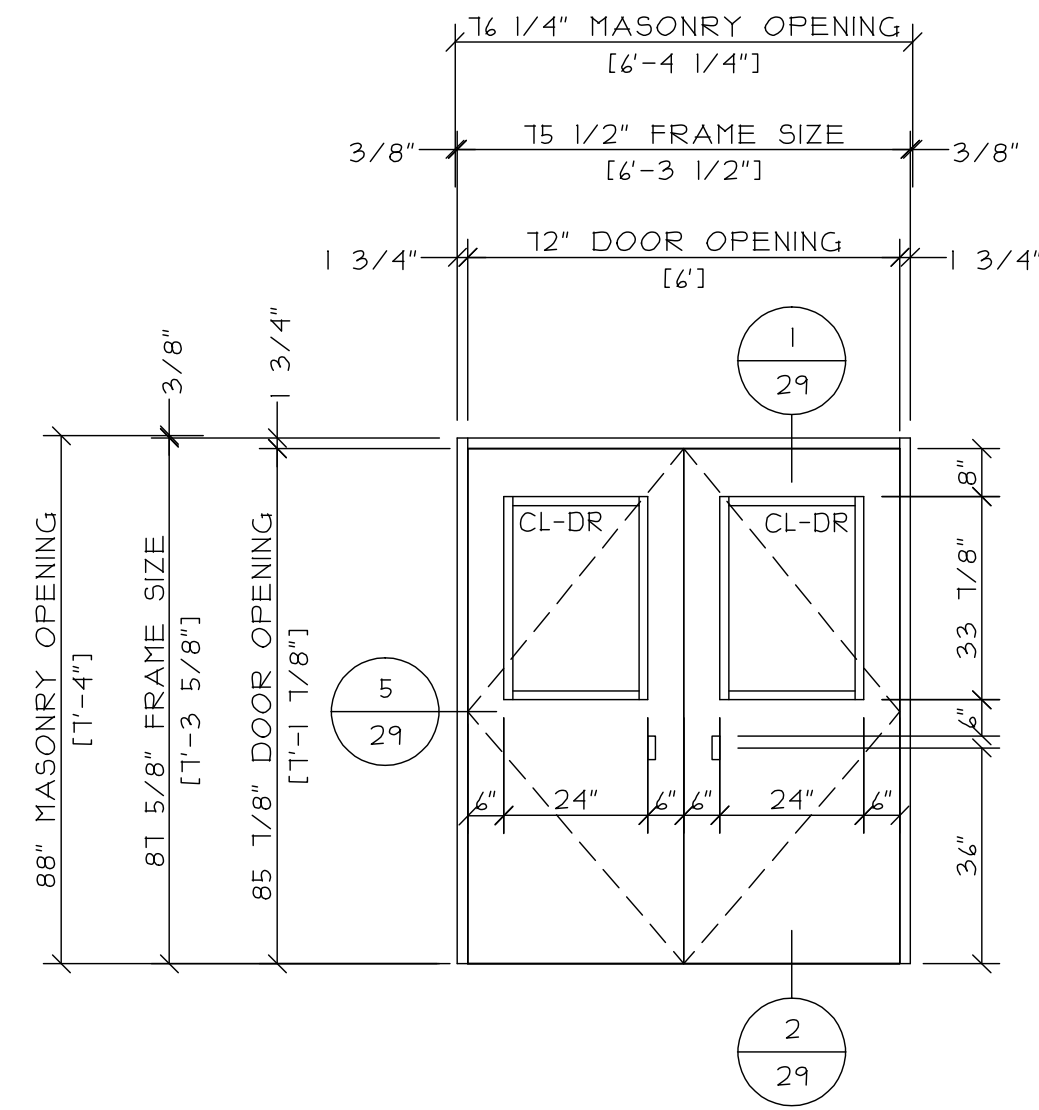
GLAZING CONTRACTOR:
SAMPLE SAMPLE SAMPLE
SAMPLE SAMPLE SAMPLE
SAMPLE SAMPLE SAMPLE
SAMPLE SAMPLE SAMPLE
SAMPLE SAMPLE SAMPLE

ARCHITECT:
SAMPLE SAMPLE SAMPLE
SAMPLE SAMPLE SAMPLE
SAMPLE SAMPLE SAMPLE
SAMPLE SAMPLE SAMPLE
SAMPLE SAMPLE SAMPLE

PROJECT:	LOCATION:
SAMPLE SAMPLE SAMPLE	SAMPLE SAMPLE SAMPLE

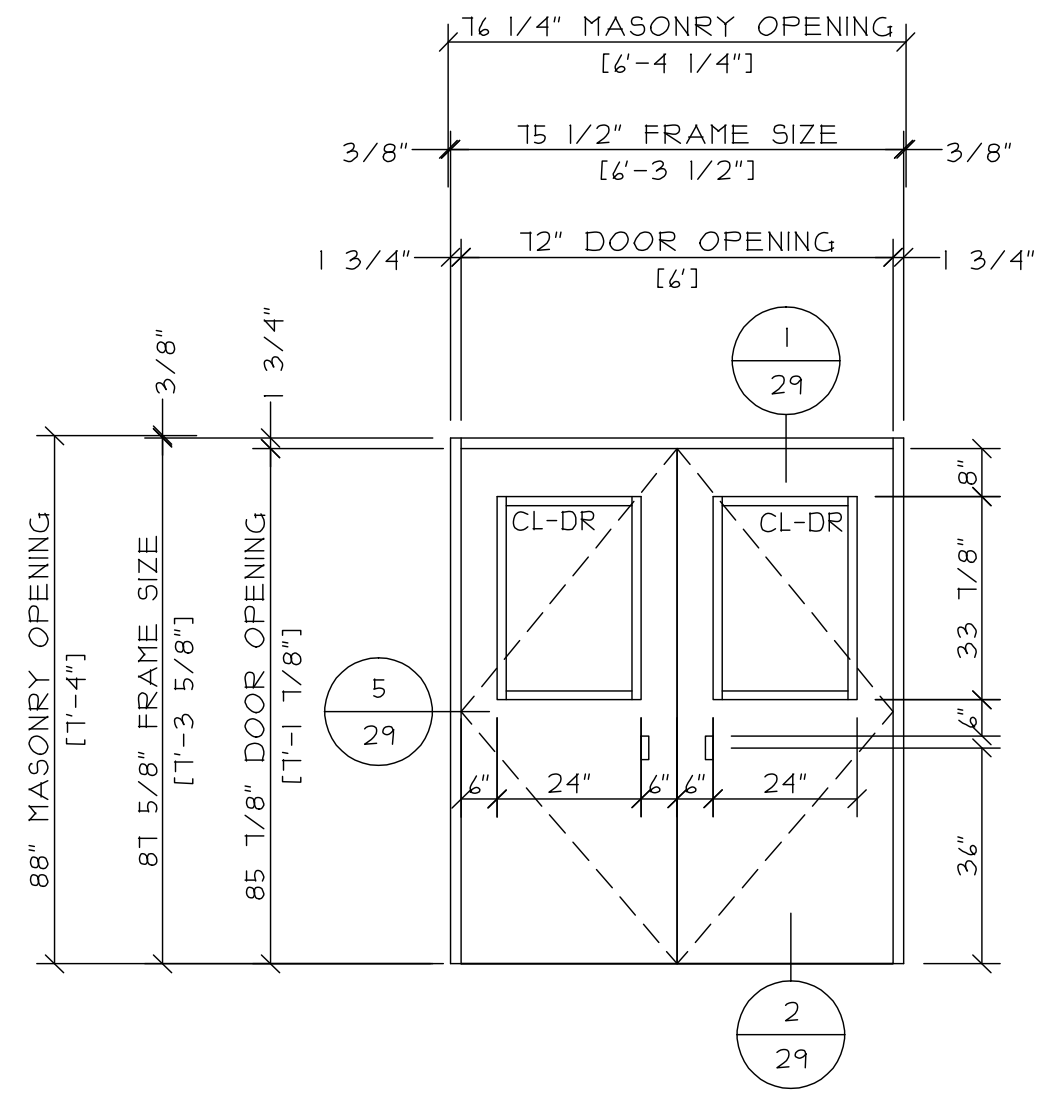
SCALE: 3/8" = 1'-0"
DATE: SAMPLE
PAGE: 12 of 44

* ARCHITECT PLEASE ADVISE GLASS TYPES WHERE NOT NOTED.



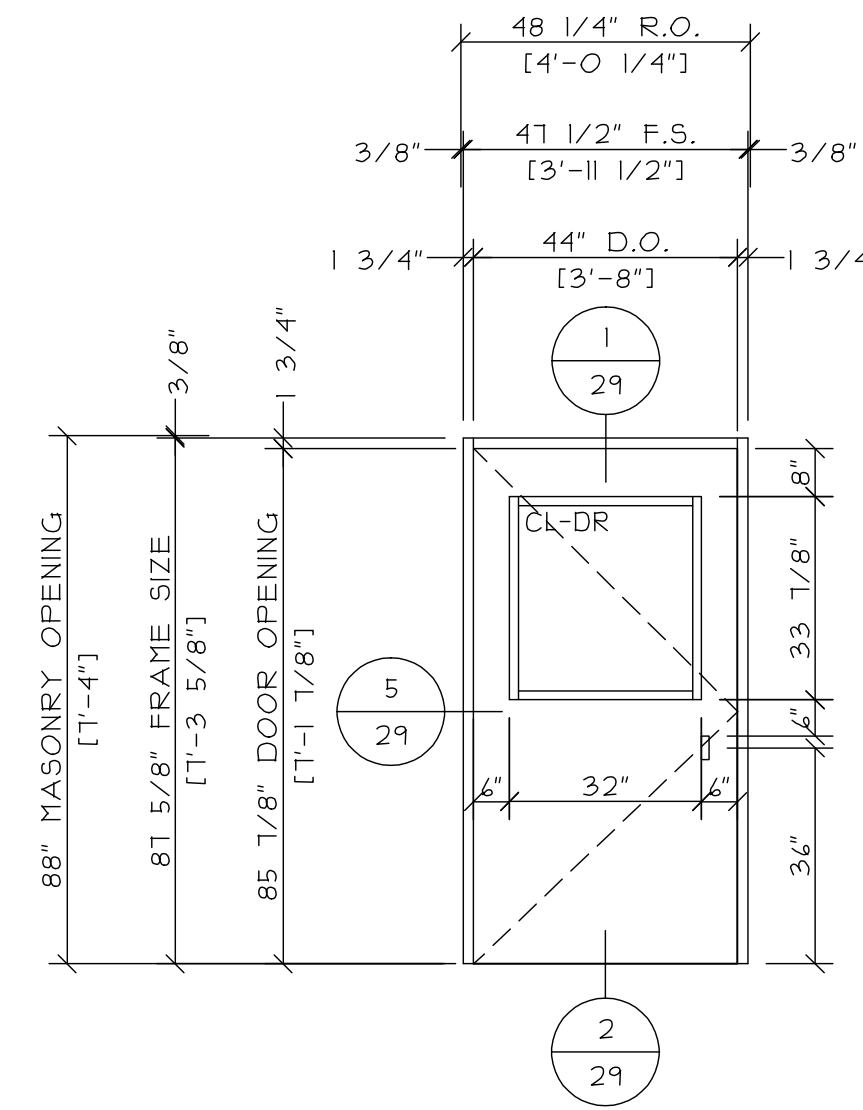
DOOR H106A
1 TOTAL

YKK 5" FRAMES WITH 200BE FRP DOORS
DOOR H106A, HW #1B



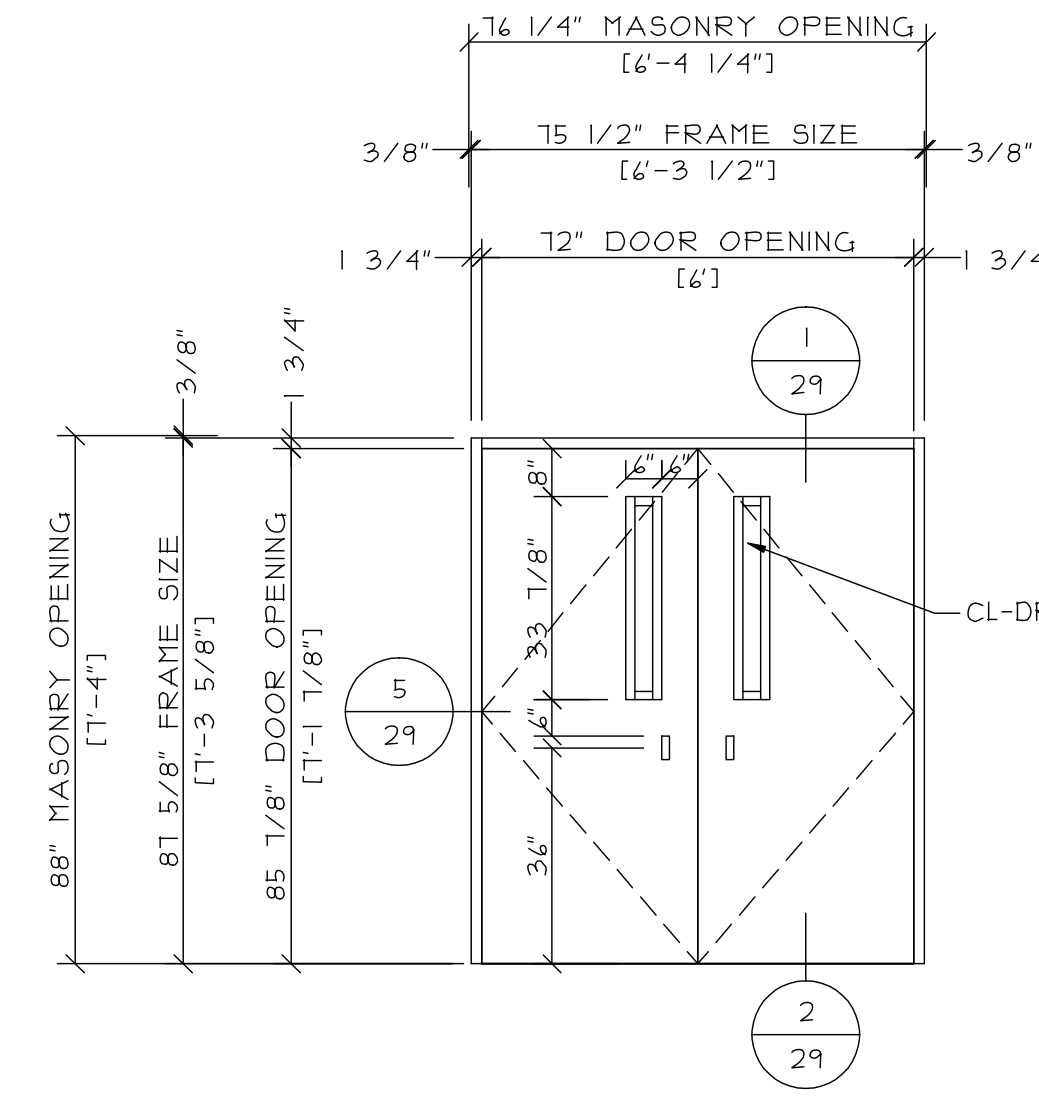
DOOR H108B
1 TOTAL

YKK 5" FRAMES WITH 200BE FRP DOORS
DOOR H108B, HW #1



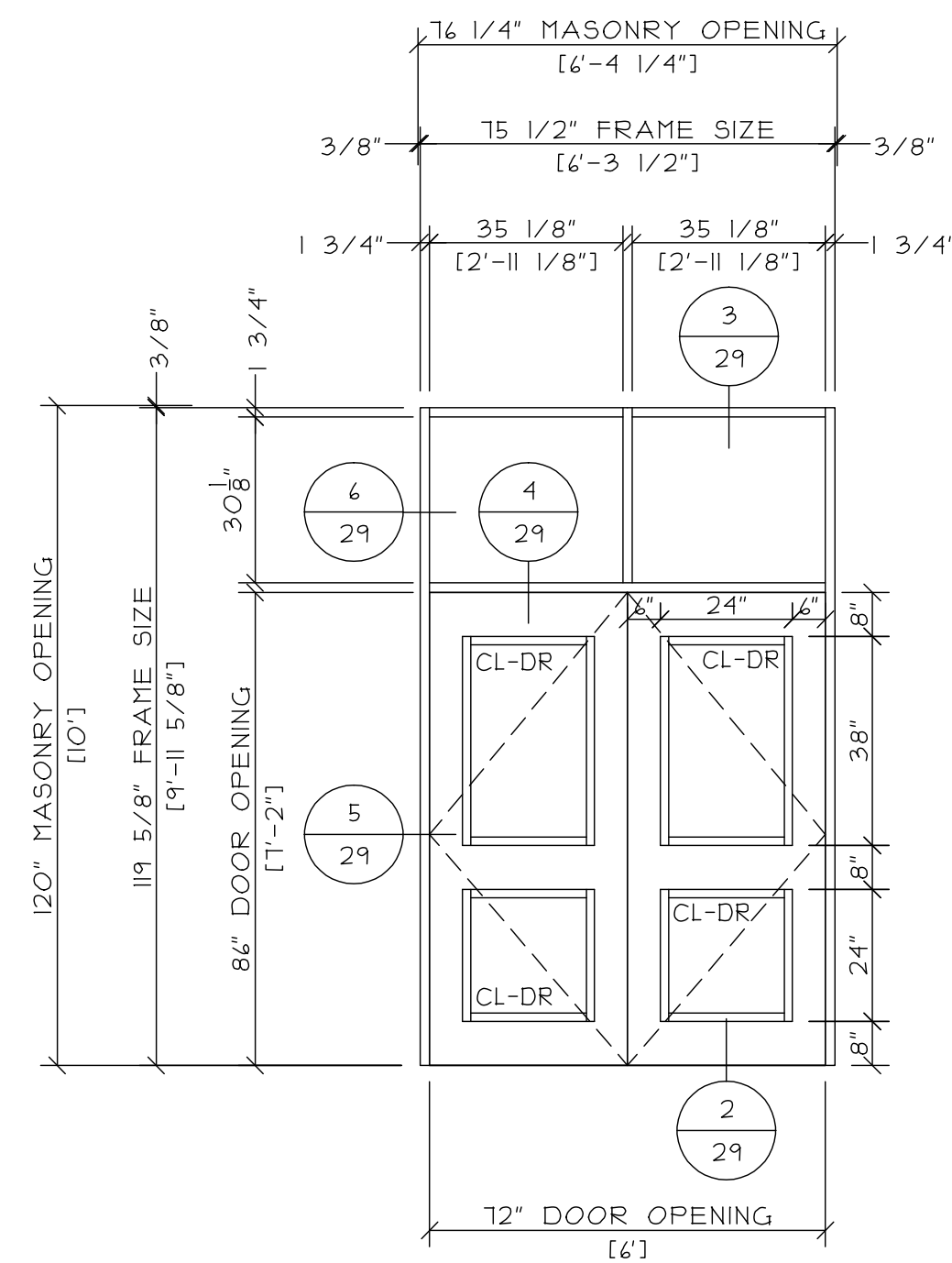
DOOR H116B
1 TOTAL

YKK 5" FRAMES WITH 200BE FRP DOORS
DOOR H116B, HW #1A



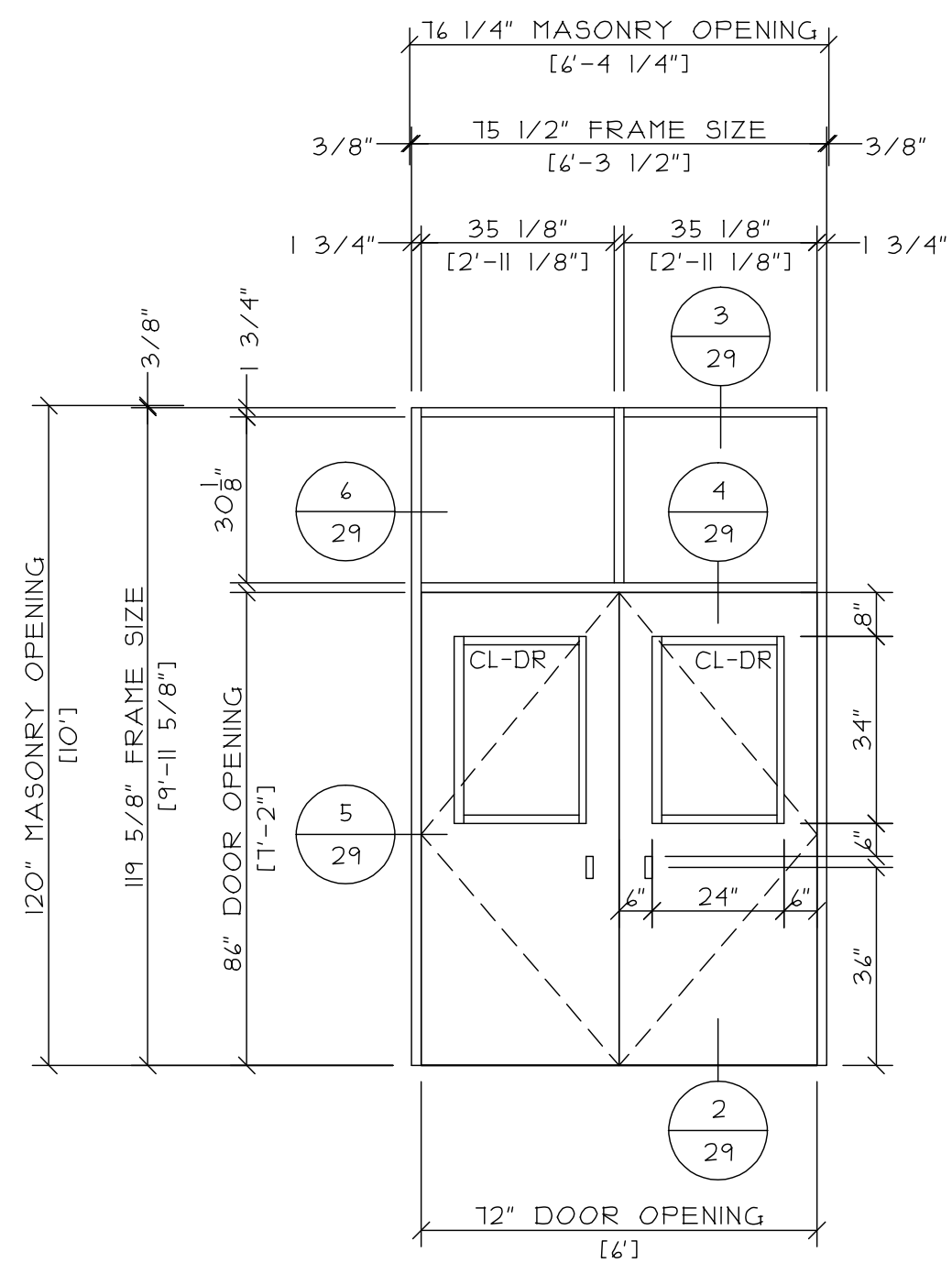
DOOR H116B
1 TOTAL

YKK 5" FRAMES WITH 200BE FRP DOORS
DOOR H116B, HW #1



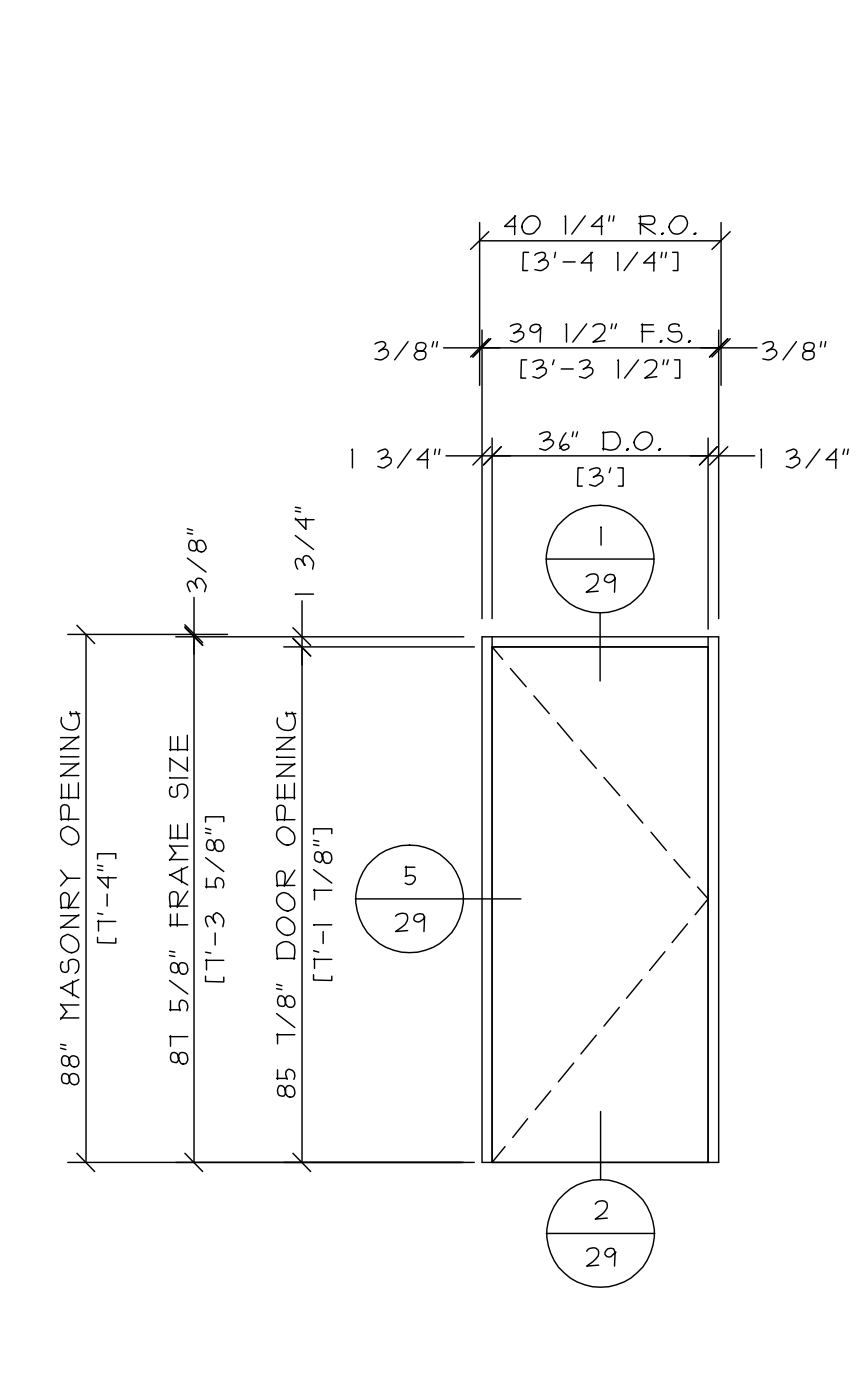
DOOR H129B
1 TOTAL

YKK 5" FRAMES WITH 200BE FRP DOORS
DOOR H129B, HW #1



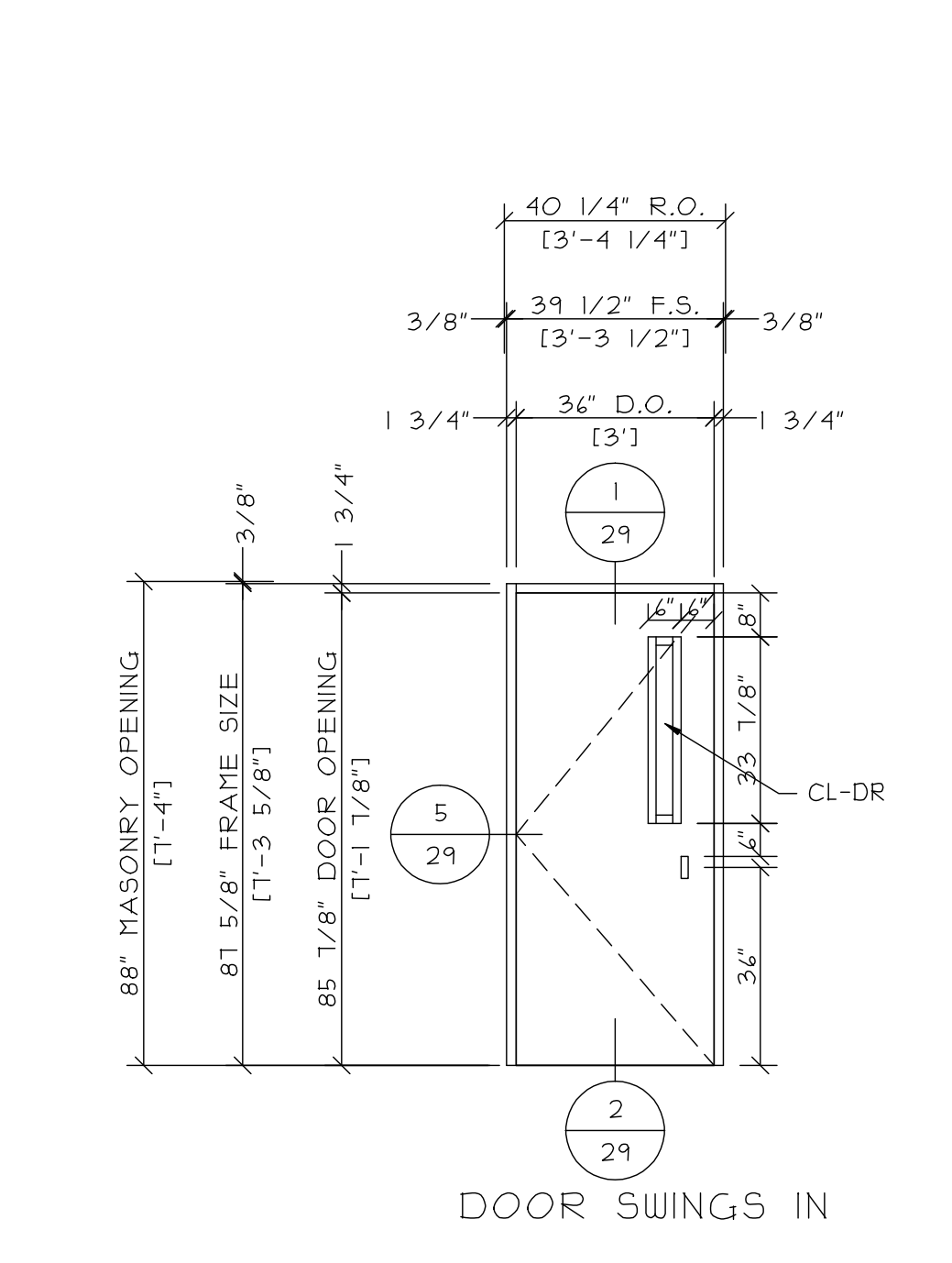
DOOR H132A/B
1 TOTAL

YKK 5" FRAMES WITH 200BE FRP DOORS
DOOR H132A, HW #1B
DOOR H132B, HW #1



DOOR H141A
1 TOTAL

YKK 5" FRAMES WITH 200BE FRP DOORS
DOOR H141A, HW #1A



DOOR H148B
1 TOTAL

YKK 5" FRAMES WITH 200BE FRP DOORS
DOOR H148B, HW #1A

REVISIONS	DATE

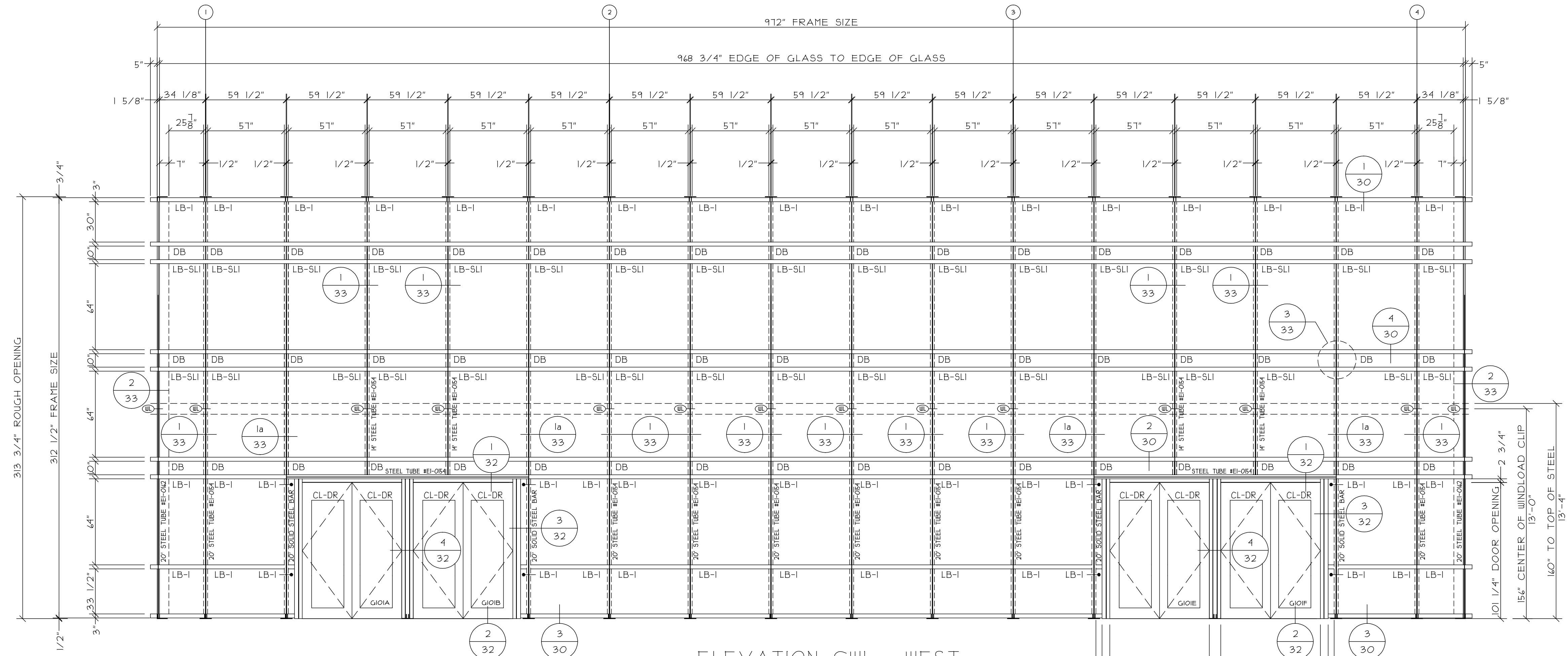
GLAZING CONTRACTOR:
SAMPLE SAMPLE SAMPLE
SAMPLE SAMPLE SAMPLE
SAMPLE SAMPLE SAMPLE
SAMPLE SAMPLE SAMPLE
SAMPLE SAMPLE SAMPLE

ARCHITECT:
SAMPLE SAMPLE SAMPLE
SAMPLE SAMPLE SAMPLE
SAMPLE SAMPLE SAMPLE
SAMPLE SAMPLE SAMPLE
SAMPLE SAMPLE SAMPLE

PROJECT:	LOCATION:
SAMPLE SAMPLE SAMPLE	SAMPLE SAMPLE SAMPLE

SCALE: 3/8" = 1'-0"
DATE: SAMPLE
PAGE: 13 of 44

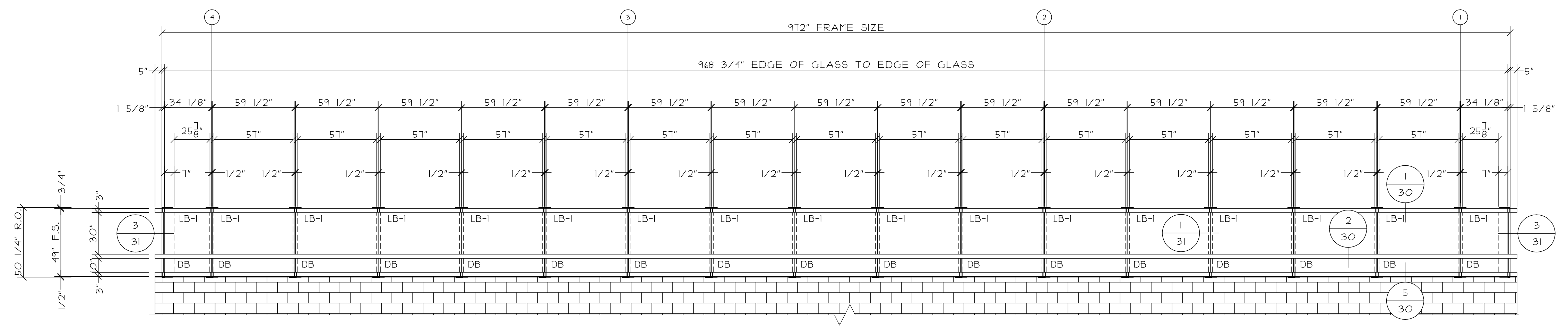
TT - DENOTES LOCATION OF "F" & "T" ANCHORS. SEE DETAILS ON PAGE 38



ELEVATION CW1 - WEST
1 TOTAL

YHC 300 SSG
WITH 35H DOORS
DOOR GIOIA, HW #1
DOOR GIOIB, HW #1
DOOR GIOIE, HW #1
DOOR GIOIF, HW #1

W - INDICATES WINDLOAD CLIP - SEE DETAIL PAGE 30



ELEVATION CW2 - EAST
1 TOTAL

YHC 300 SSG

REVISIONS	DATE

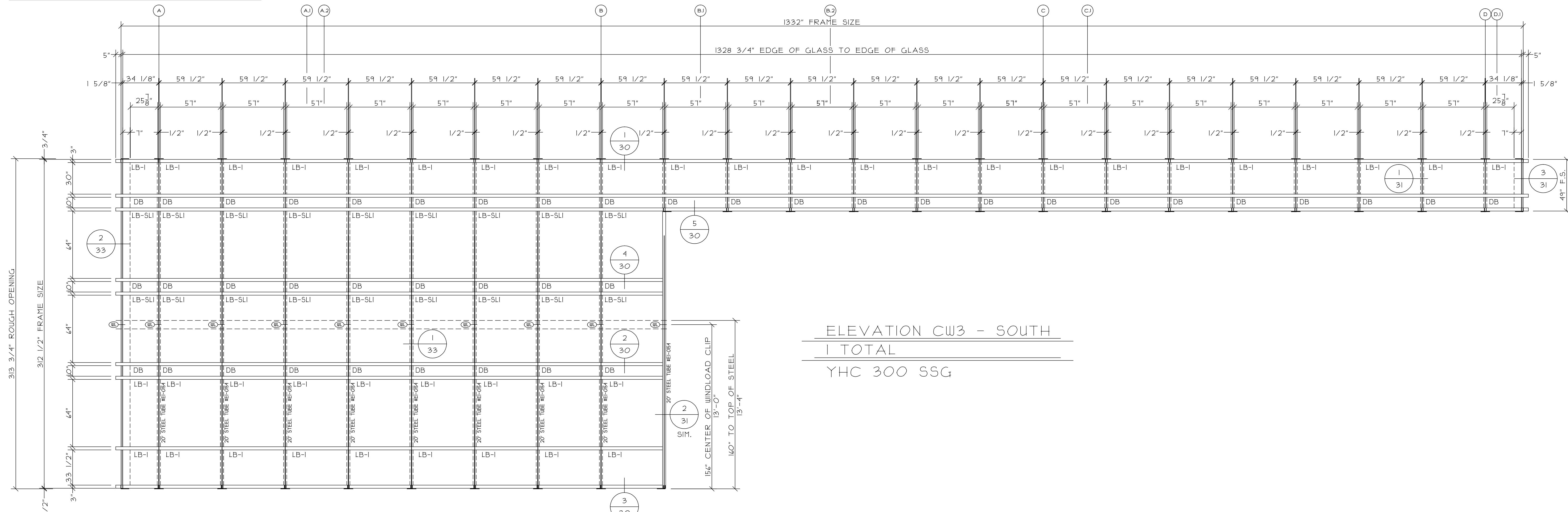
GLAZING CONTRACTOR:
SAMPLE SAMPLE SAMPLE
SAMPLE SAMPLE SAMPLE
SAMPLE SAMPLE SAMPLE
SAMPLE SAMPLE SAMPLE

ARCHITECT:
SAMPLE SAMPLE SAMPLE
SAMPLE SAMPLE SAMPLE
SAMPLE SAMPLE SAMPLE
SAMPLE SAMPLE SAMPLE

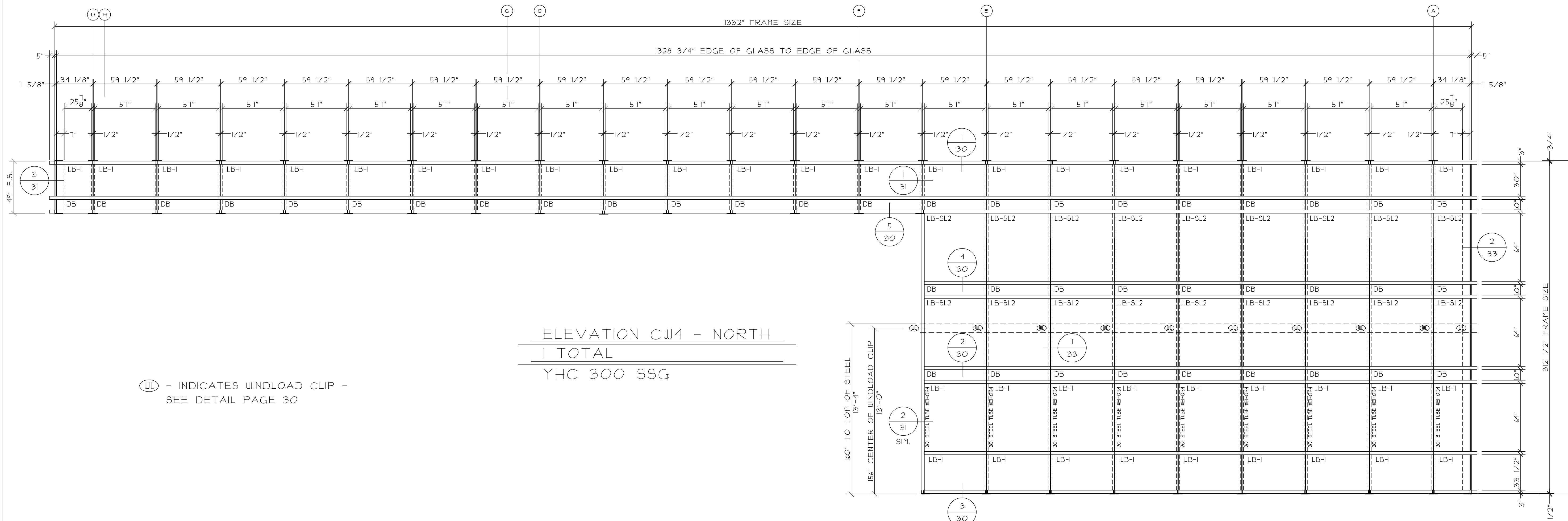
PROJECT: SAMPLE SAMPLE SAMPLE
LOCATION: SAMPLE SAMPLE SAMPLE

SCALE:
1/4" = 1'-0"
DATE:
SAMPLE
PAGE:
14 of 44

T - DENOTES LOCATION OF "F" & "T"
ANCHORS. SEE DETAILS ON PAGE 38



ELEVATION CW3 - SOUTH
1 TOTAL
YHC 300 SSG



ELEVATION CW4 - NORTH
1 TOTAL
YHC 300 SSG

(WL) - INDICATES WINDLOAD CLIP -
SEE DETAIL PAGE 30

REVISIONS	DATE

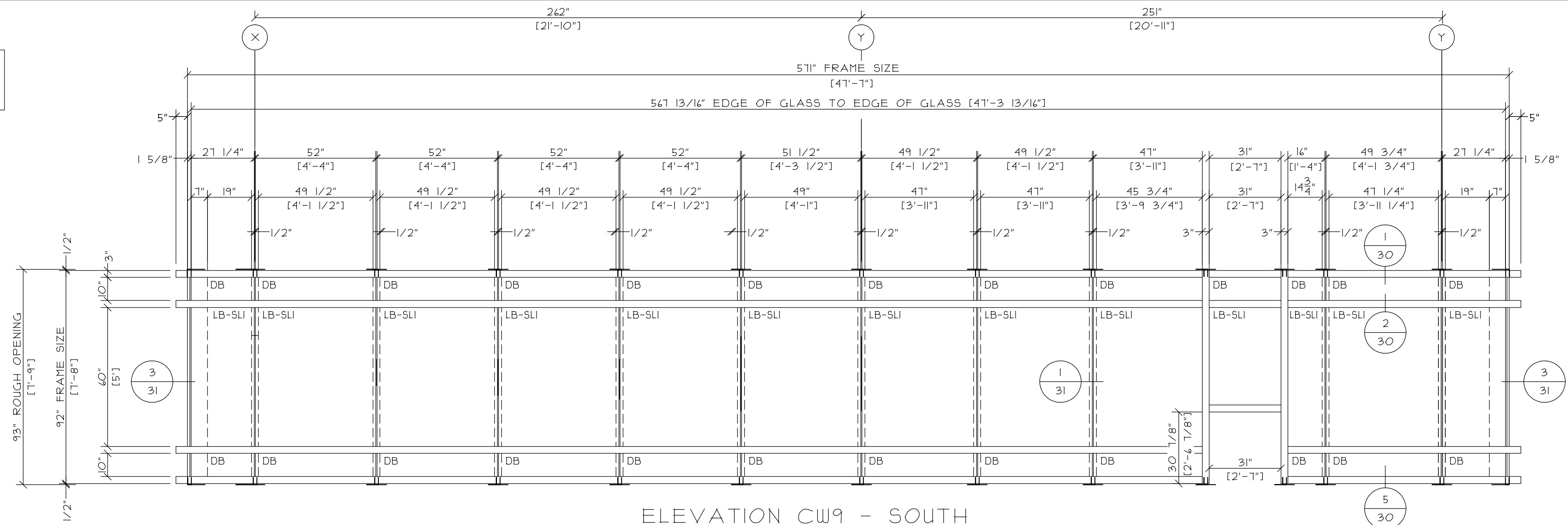
GLAZING CONTRACTOR:
SAMPLE SAMPLE SAMPLE
SAMPLE SAMPLE SAMPLE
SAMPLE SAMPLE SAMPLE
SAMPLE SAMPLE SAMPLE

ARCHITECT:
SAMPLE SAMPLE SAMPLE
SAMPLE SAMPLE SAMPLE
SAMPLE SAMPLE SAMPLE
SAMPLE SAMPLE SAMPLE

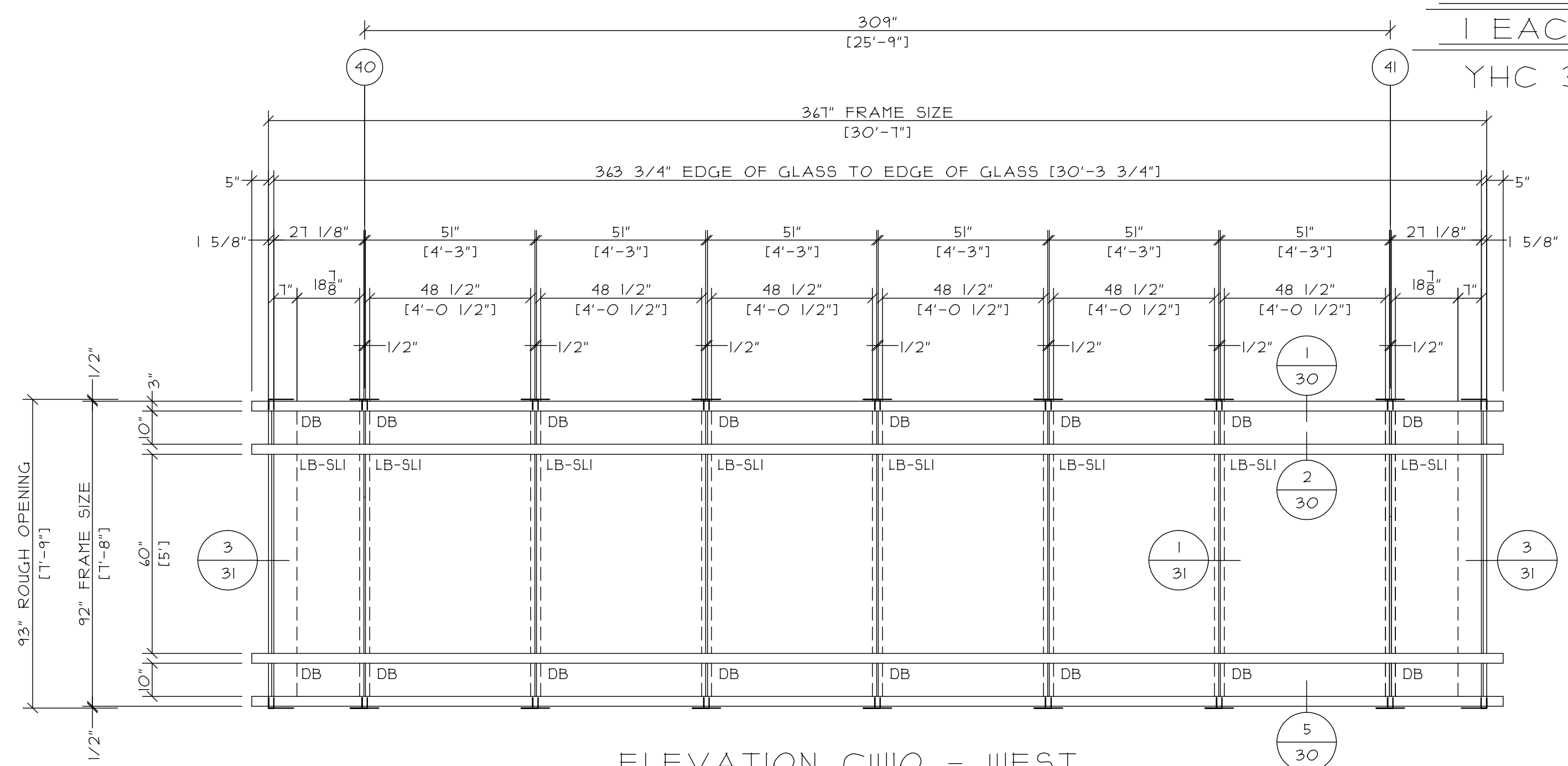
PROJECT: SAMPLE SAMPLE SAMPLE
LOCATION: SAMPLE SAMPLE SAMPLE

SCALE:
1/4" = 1'-0"
DATE:
SAMPLE
PAGE:
15 of 44

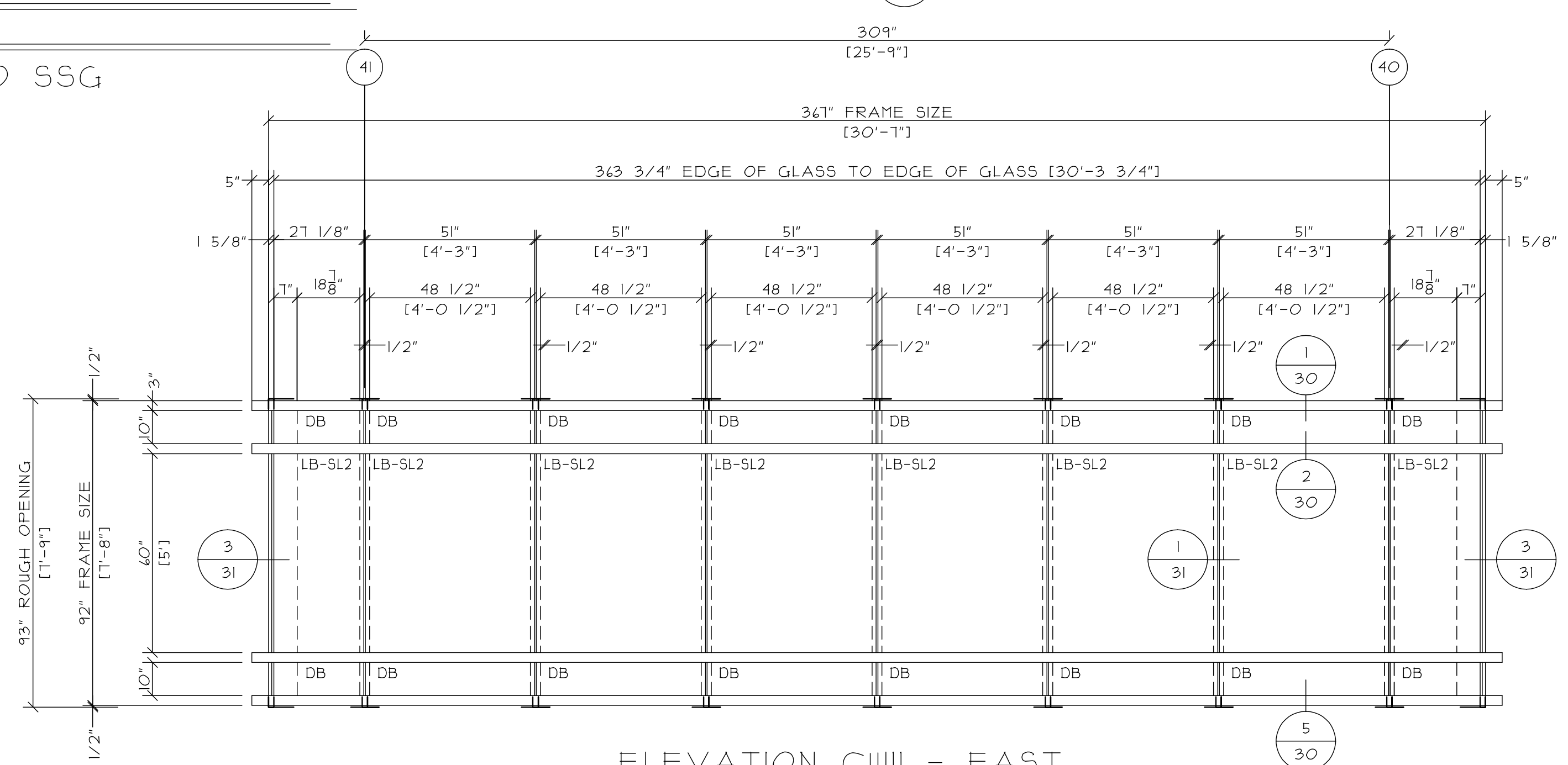
T T - DENOTES LOCATION OF "F" & "T" ANCHORS. SEE DETAILS ON PAGE 38



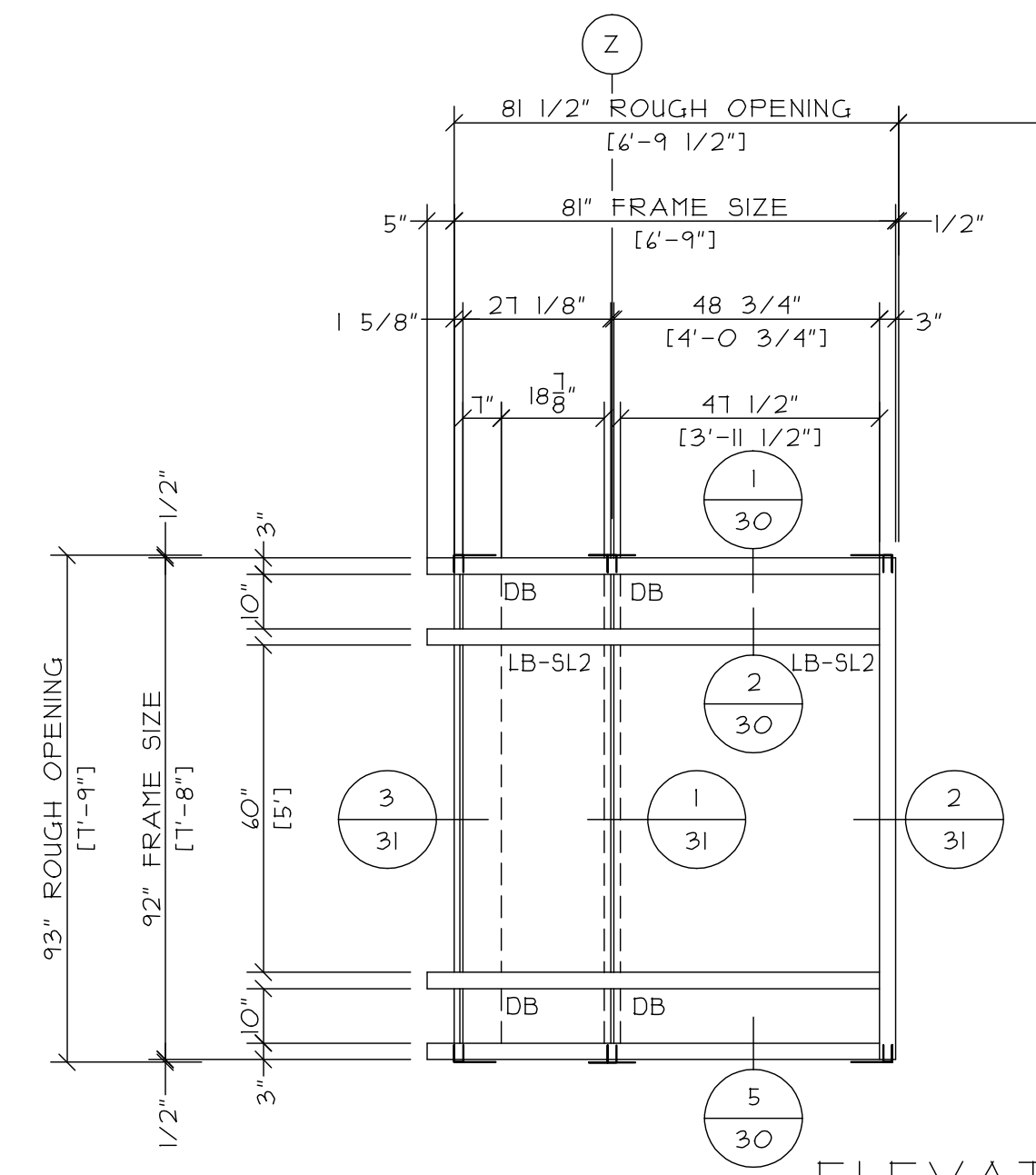
ELEVATION CW9 - SOUTH
1 EACH
YHC 300 SSG



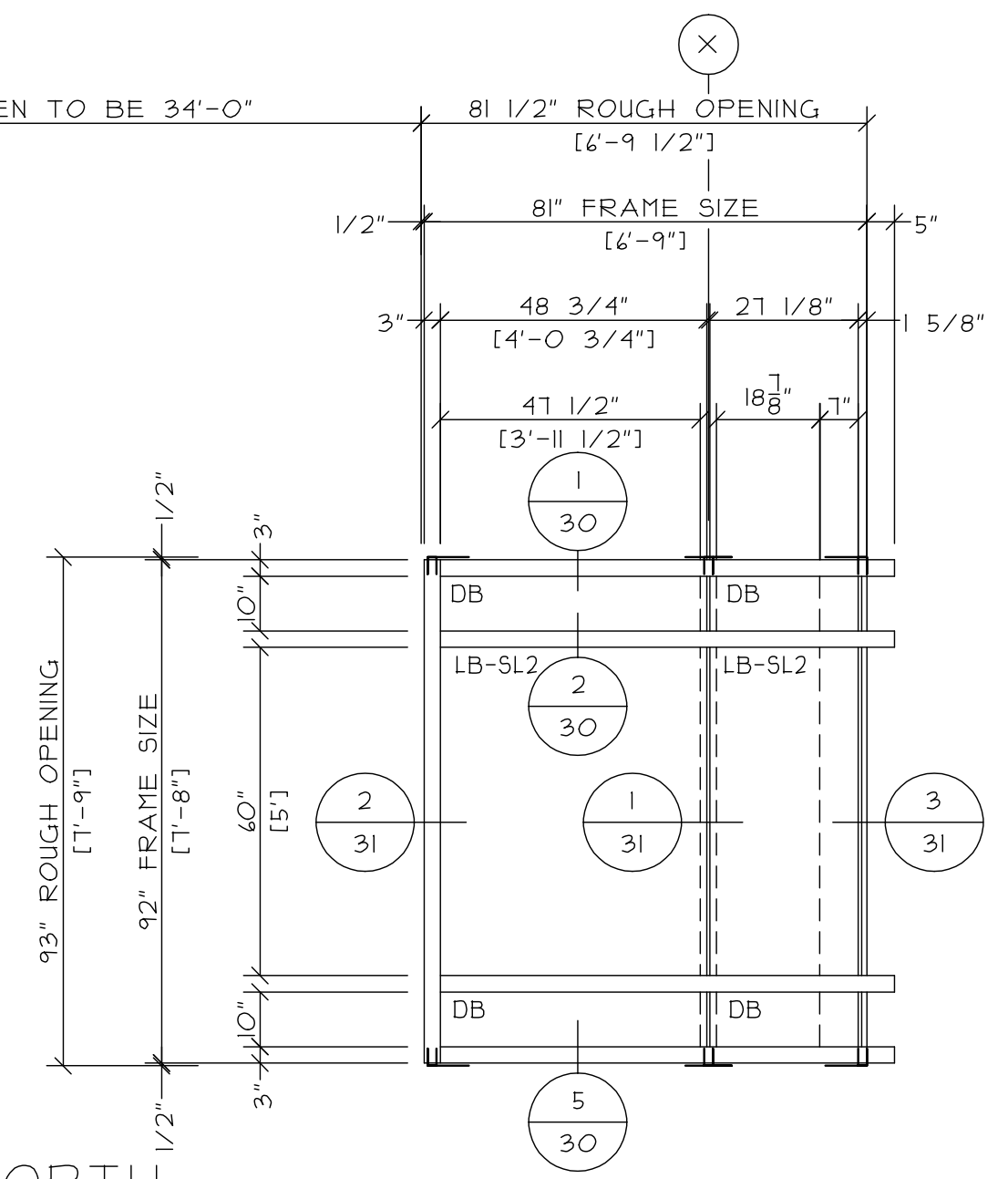
ELEVATION CW10 - WEST
1 TOTAL
YHC 300 SSG



ELEVATION CW11 - EAST
1 TOTAL
YHC 300 SSG



ELEVATION CW12 - NORTH
1 EACH
YHC 300 SSG



G.C. NOTE: WALL BETWEEN TO BE 34'-0"

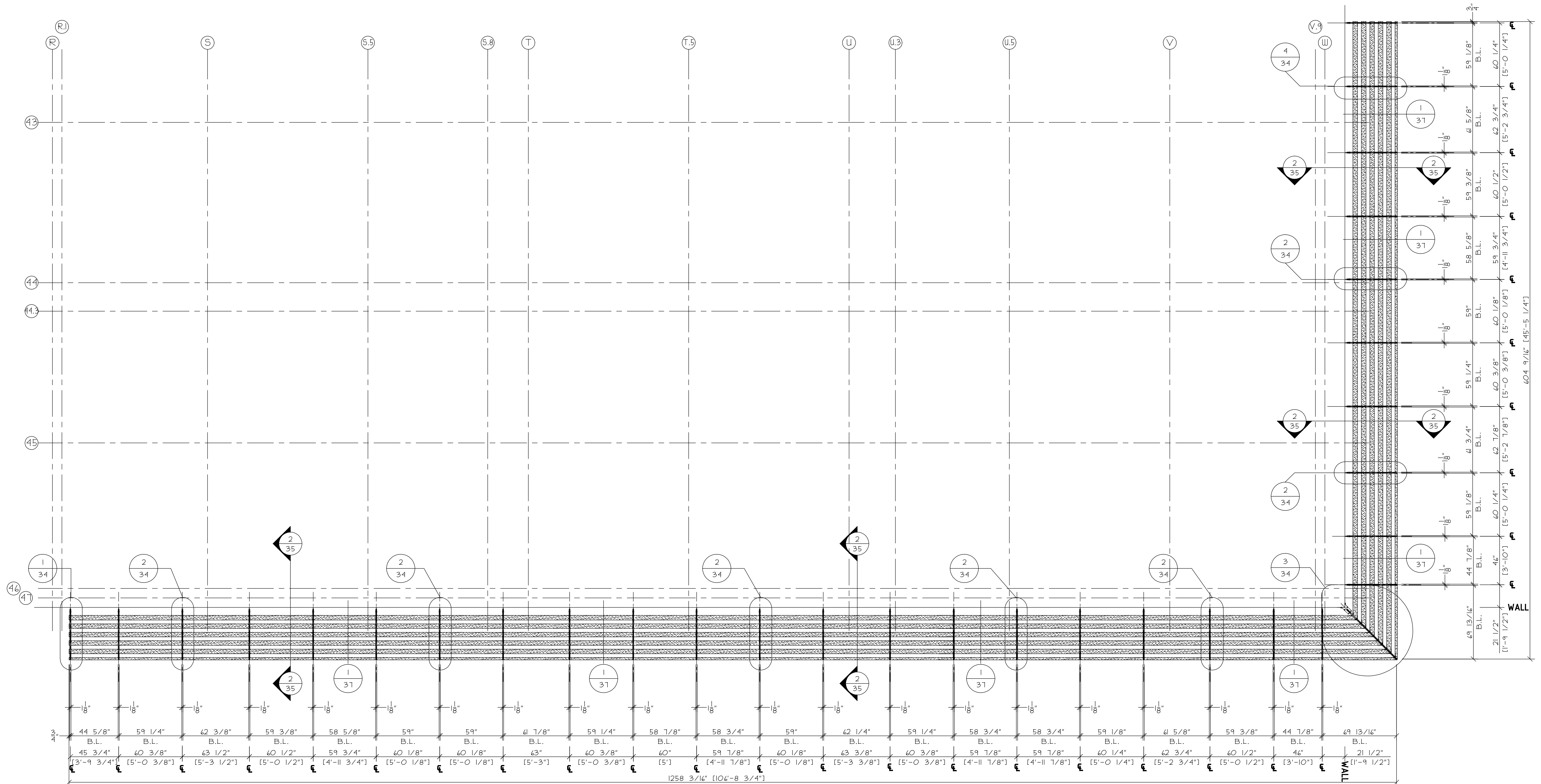
REVISIONS	DATE

GLAZING CONTRACTOR:
SAMPLE SAMPLE SAMPLE
SAMPLE SAMPLE SAMPLE
SAMPLE SAMPLE SAMPLE
SAMPLE SAMPLE SAMPLE

ARCHITECT:
SAMPLE SAMPLE SAMPLE
SAMPLE SAMPLE SAMPLE
SAMPLE SAMPLE SAMPLE
SAMPLE SAMPLE SAMPLE

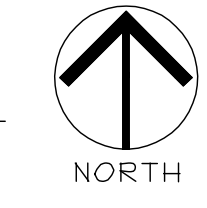
PROJECT: SAMPLE SAMPLE SAMPLE
LOCATION: SAMPLE SAMPLE SAMPLE

SCALE:
3/8" = 1'-0"
DATE:
SAMPLE
PAGE:
16 of 44



B.L. - DENOTES BLADE LENGTH

PLAN VIEW OF SUNSHADE



- G.C. VERIFY AND COORDINATE ALL DIMENSIONS FOR SUN SHADE SUPPORT WITH STRUCTURAL STEEL CONTRACTOR -

REVISIONS	DATE

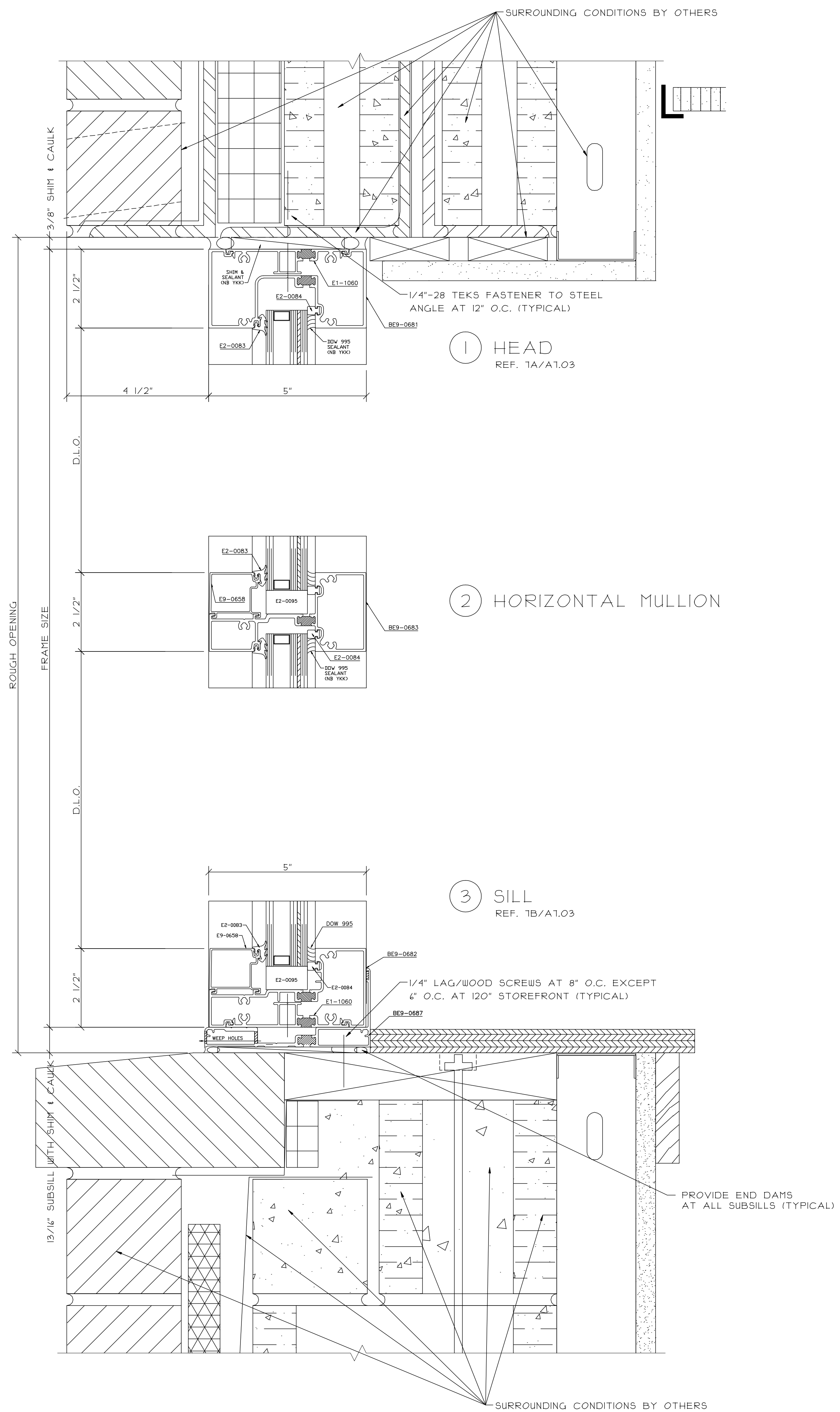
GLAZING CONTRACTOR:
SAMPLE SAMPLE SAMPLE
SAMPLE SAMPLE SAMPLE
SAMPLE SAMPLE SAMPLE
SAMPLE SAMPLE SAMPLE
SAMPLE SAMPLE SAMPLE

ARCHITECT:
SAMPLE SAMPLE SAMPLE
SAMPLE SAMPLE SAMPLE
SAMPLE SAMPLE SAMPLE
SAMPLE SAMPLE SAMPLE
SAMPLE SAMPLE SAMPLE

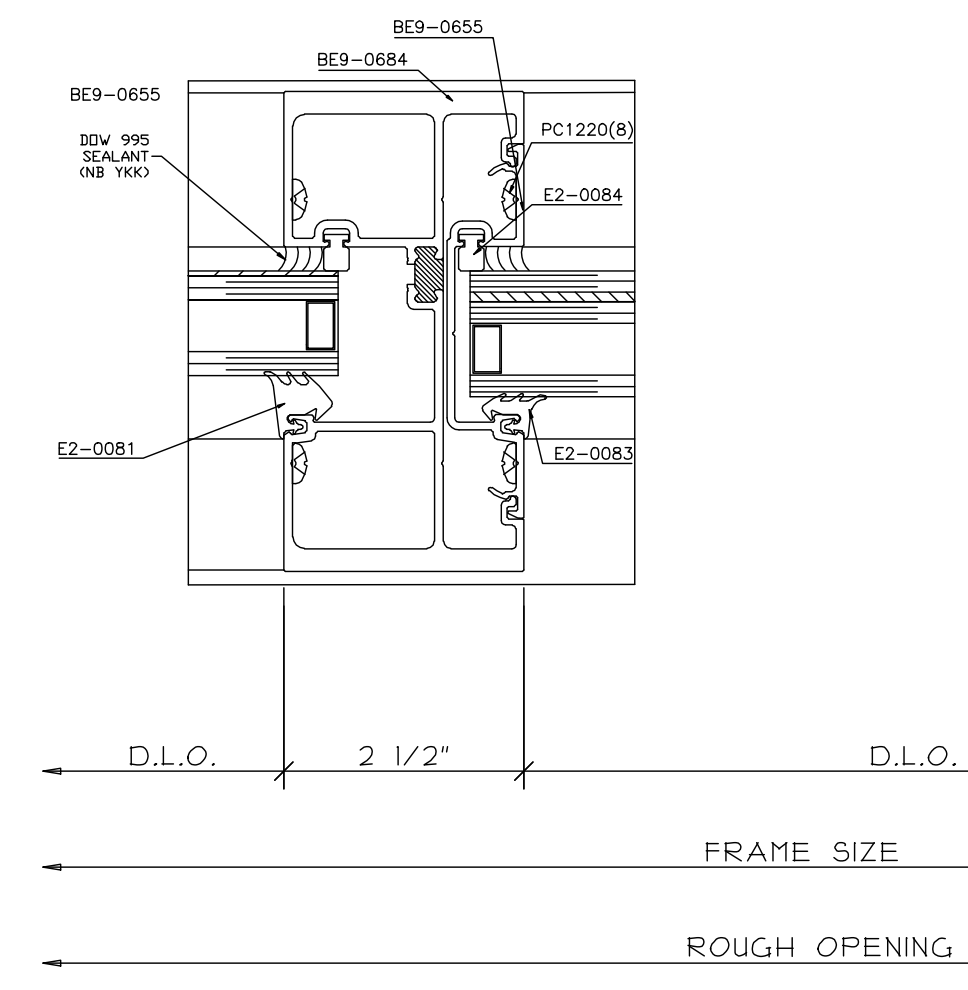
PROJECT:
SAMPLE SAMPLE SAMPLE

LOCATION:
SAMPLE SAMPLE SAMPLE

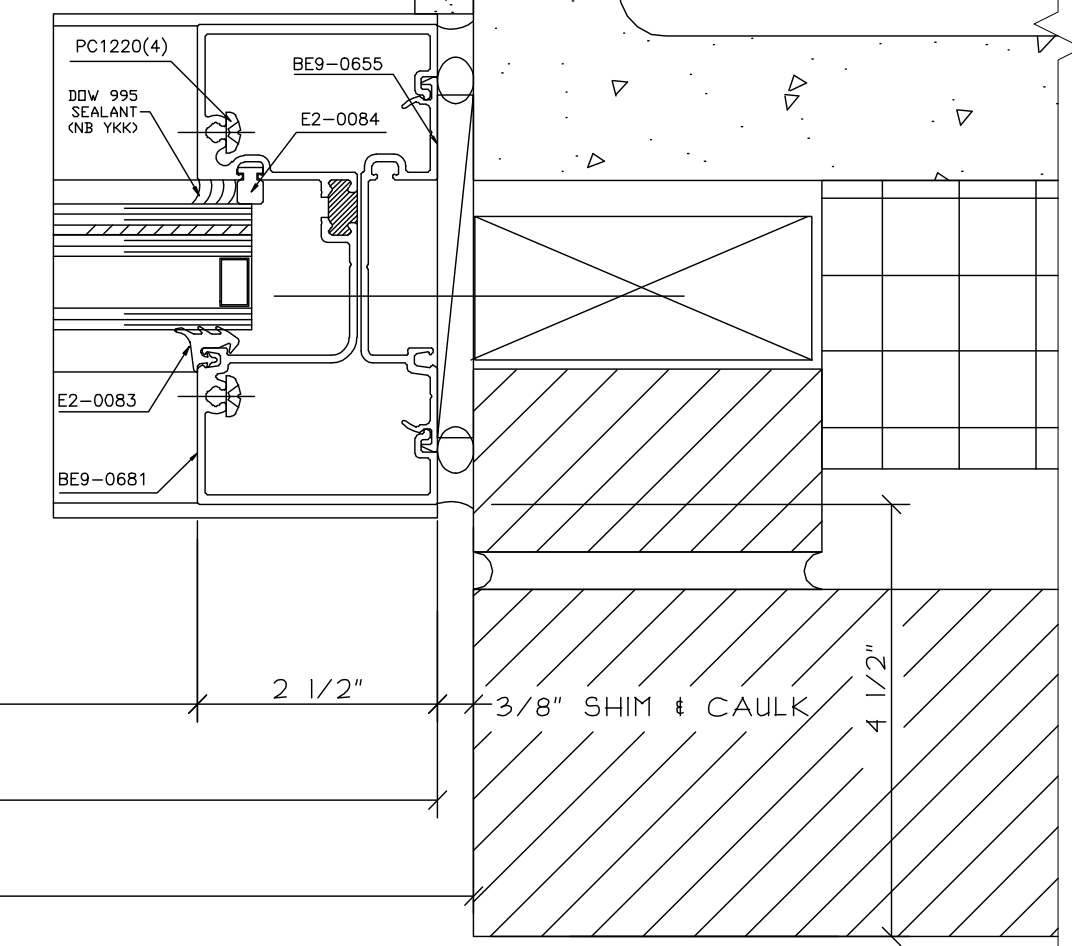
SCALE: 1/4" = 1'-0"
DATE: SAMPLE
PAGE: 18 of 44



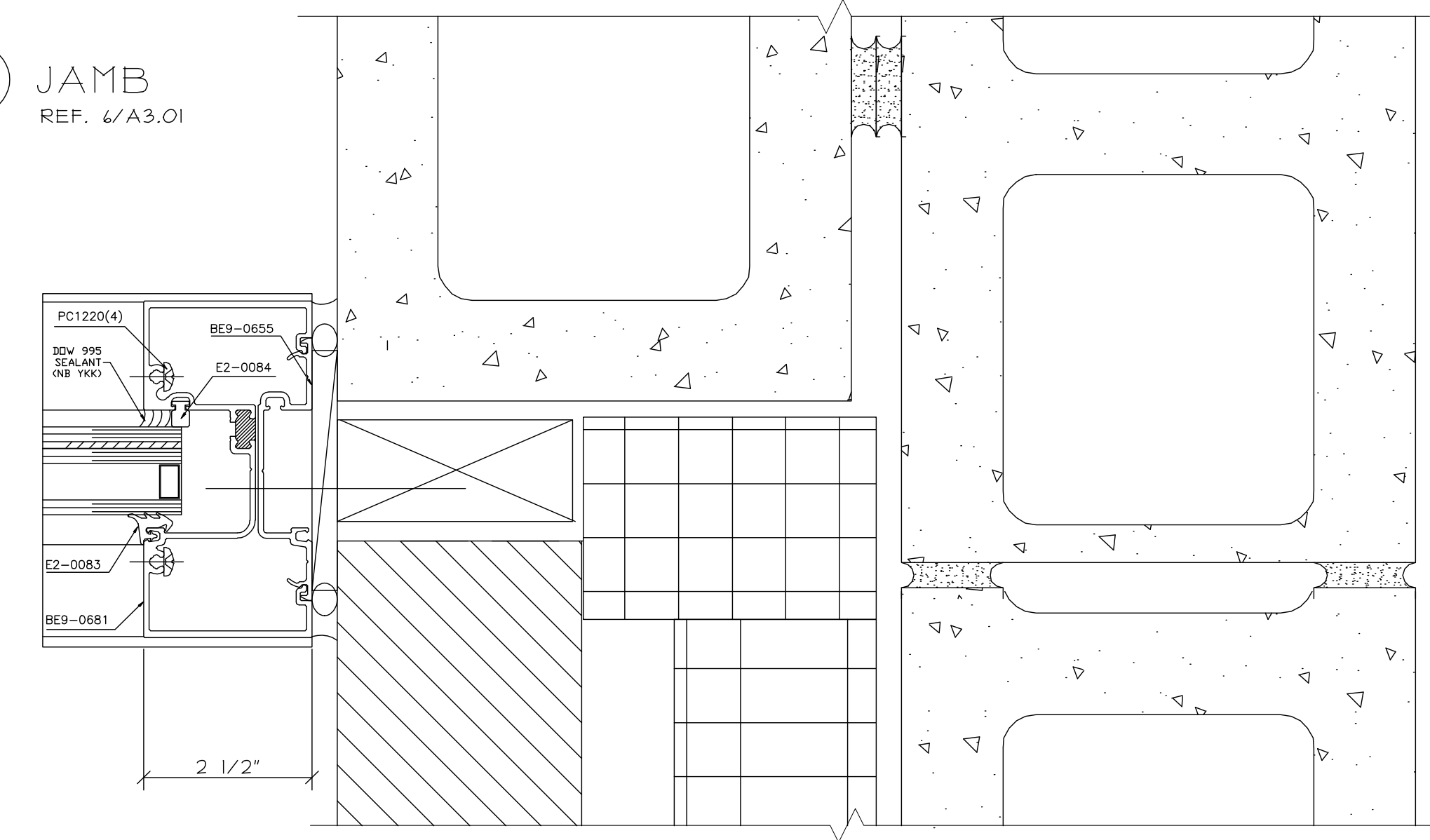
4 VERTICAL MULLION



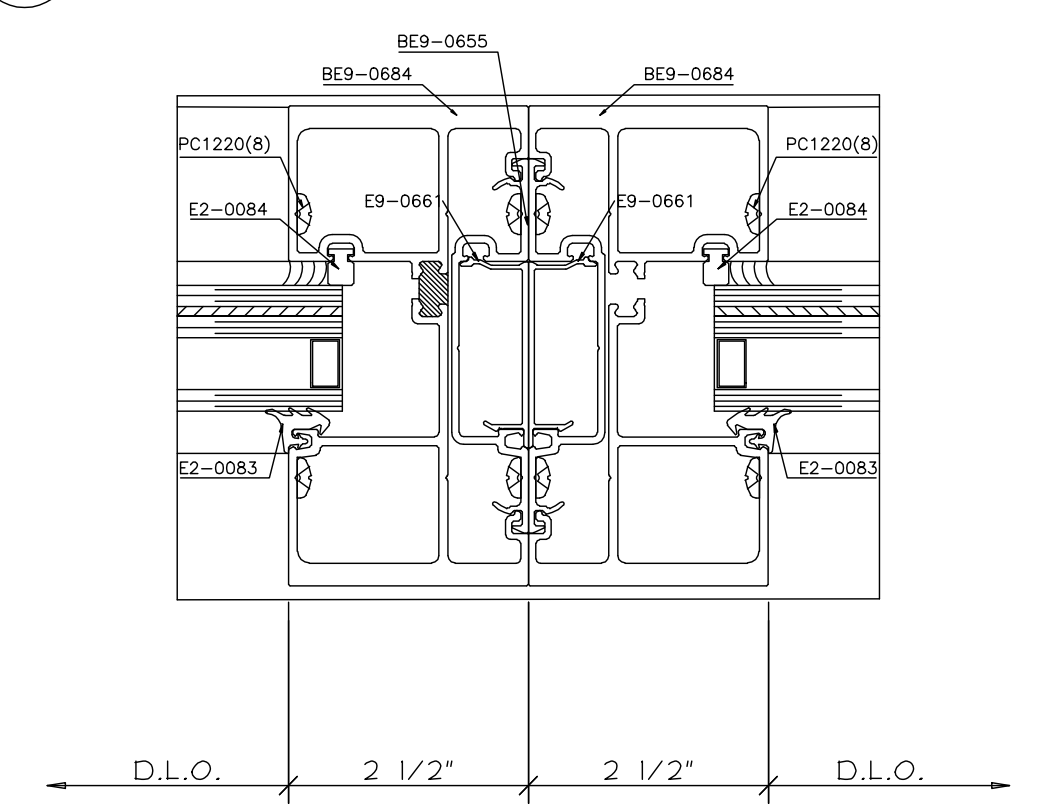
5 JAMB
REF. 1/A3.01



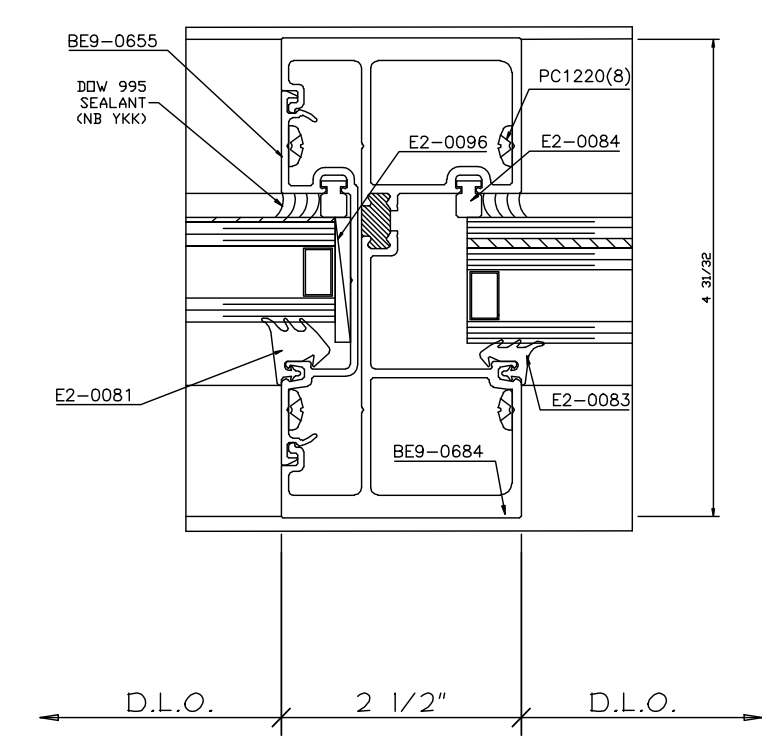
6 JAMB
REF. 6/A3.01



7 DOUBLE VERTICAL MULLION



8 HEAVY DUTY VERTICAL MULLION



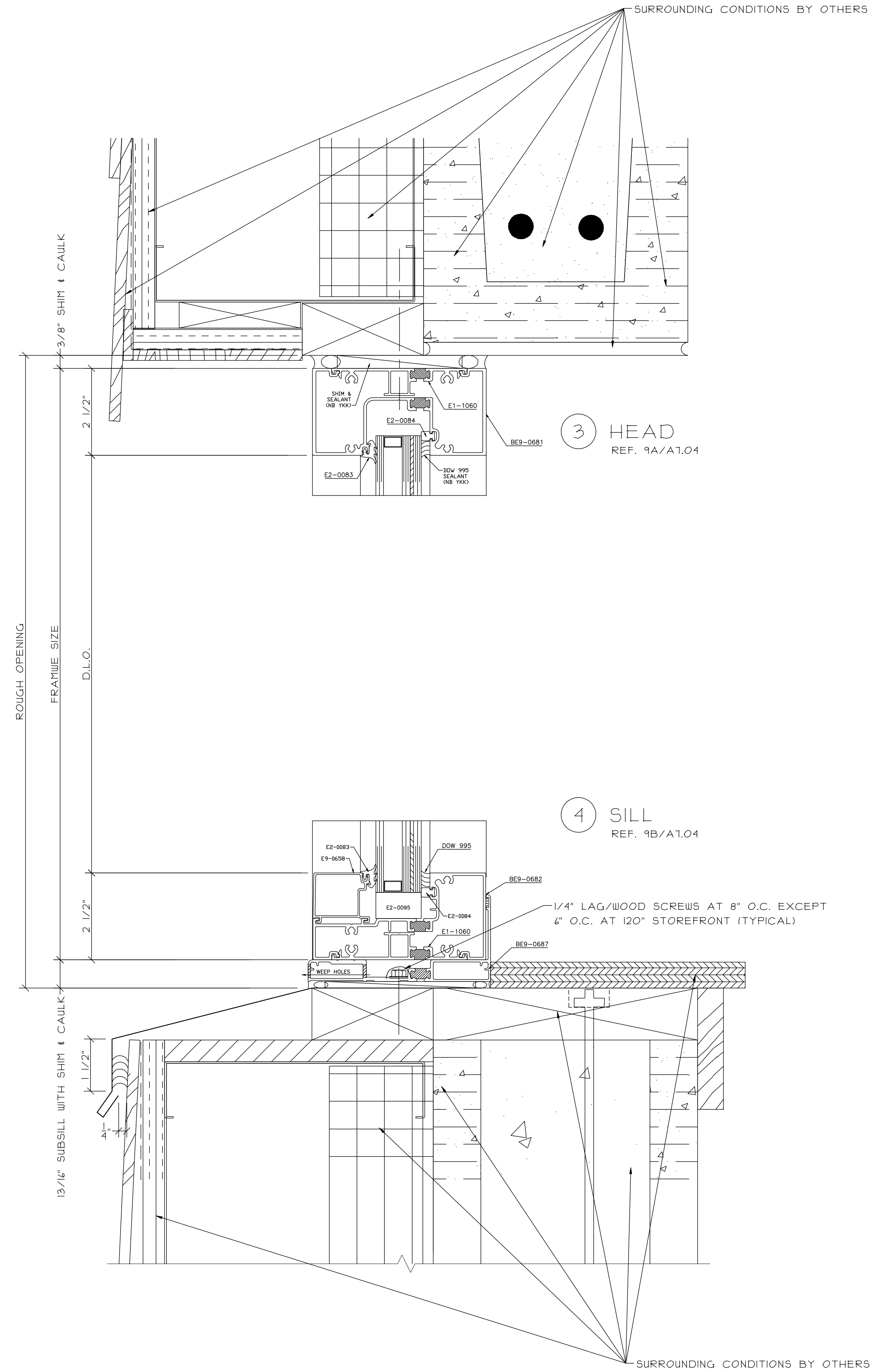
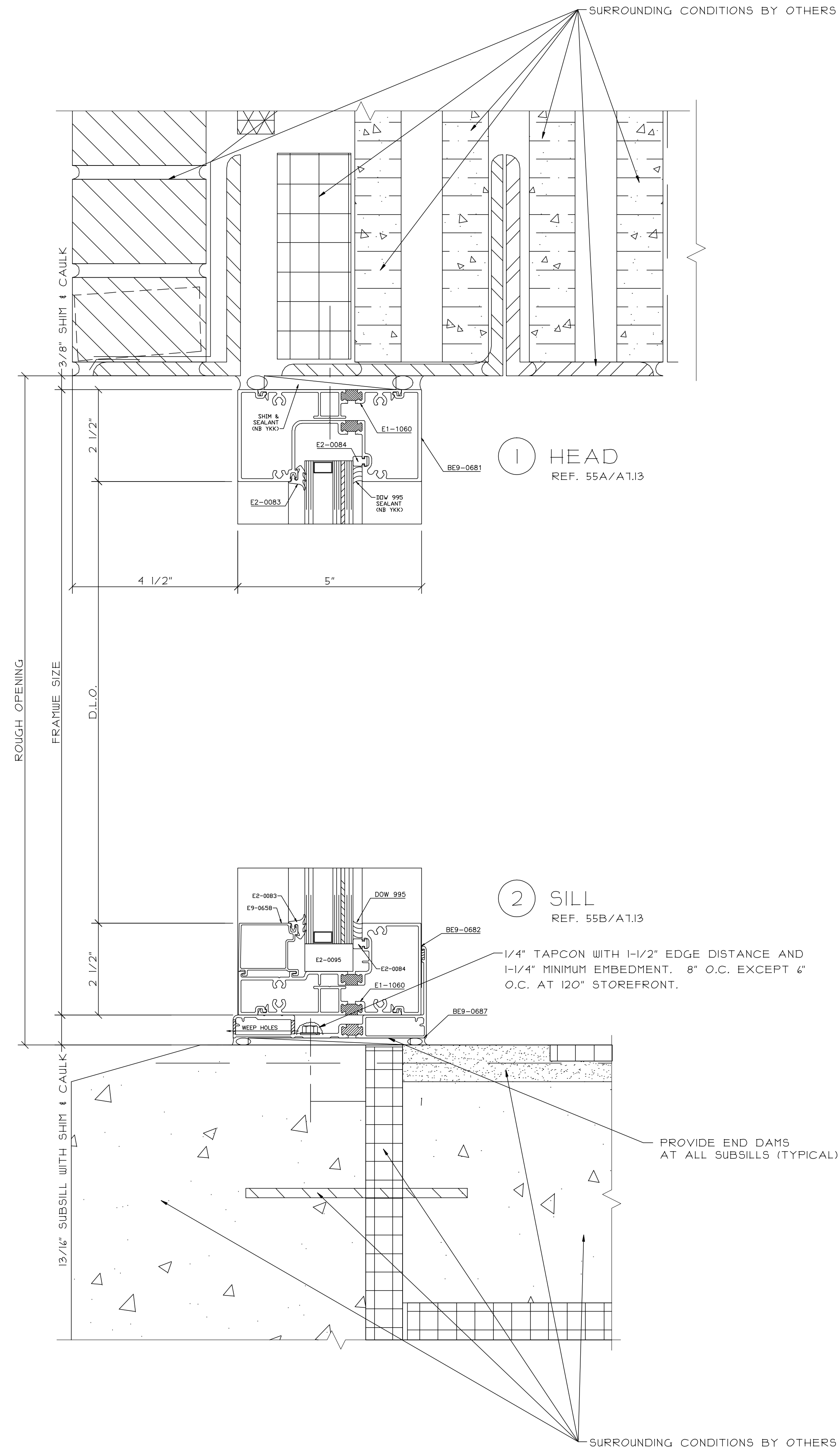
REVISIONS	DATE

GLAZING CONTRACTOR:
SAMPLE SAMPLE SAMPLE
SAMPLE SAMPLE SAMPLE
SAMPLE SAMPLE SAMPLE
SAMPLE SAMPLE SAMPLE
SAMPLE SAMPLE SAMPLE

ARCHITECT:
SAMPLE SAMPLE SAMPLE
SAMPLE SAMPLE SAMPLE
SAMPLE SAMPLE SAMPLE
SAMPLE SAMPLE SAMPLE
SAMPLE SAMPLE SAMPLE

PROJECT:	LOCATION:
SAMPLE SAMPLE SAMPLE	SAMPLE SAMPLE SAMPLE
SAMPLE SAMPLE SAMPLE	SAMPLE SAMPLE SAMPLE

SCALE: 6" = 1'-0"
DATE: SAMPLE
PAGE: 19 of 44



DATE

REVISIONS

GLAZING CONTRACTOR:
 SAMPLE SAMPLE SAMPLE
 SAMPLE SAMPLE SAMPLE
 SAMPLE SAMPLE SAMPLE
 SAMPLE SAMPLE SAMPLE
 SAMPLE SAMPLE SAMPLE

ARCHITECT:
 SAMPLE SAMPLE SAMPLE
 SAMPLE SAMPLE SAMPLE
 SAMPLE SAMPLE SAMPLE
 SAMPLE SAMPLE SAMPLE
 SAMPLE SAMPLE SAMPLE

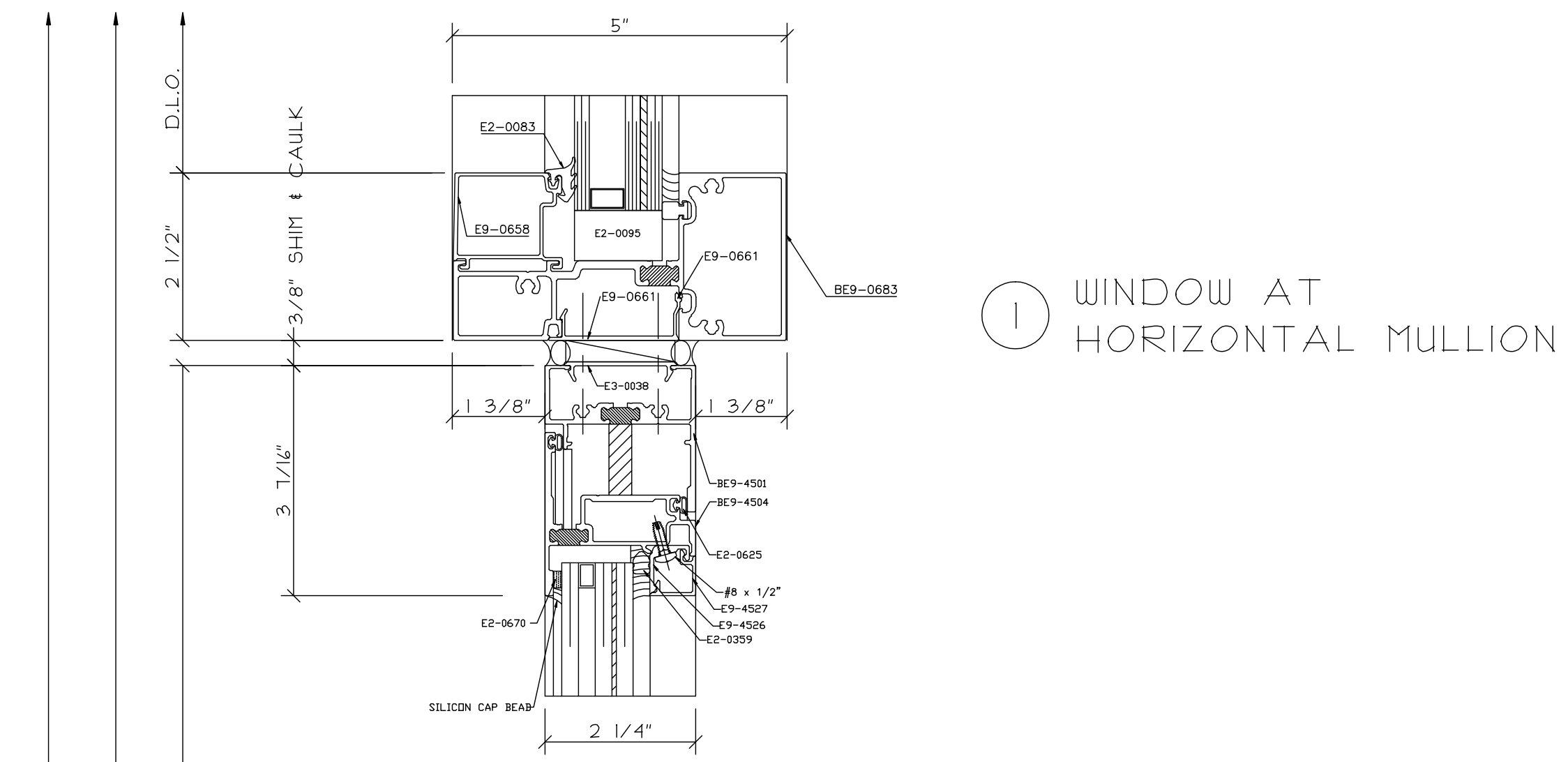
PROJECT: SAMPLE SAMPLE SAMPLE

LOCATION: SAMPLE SAMPLE SAMPLE

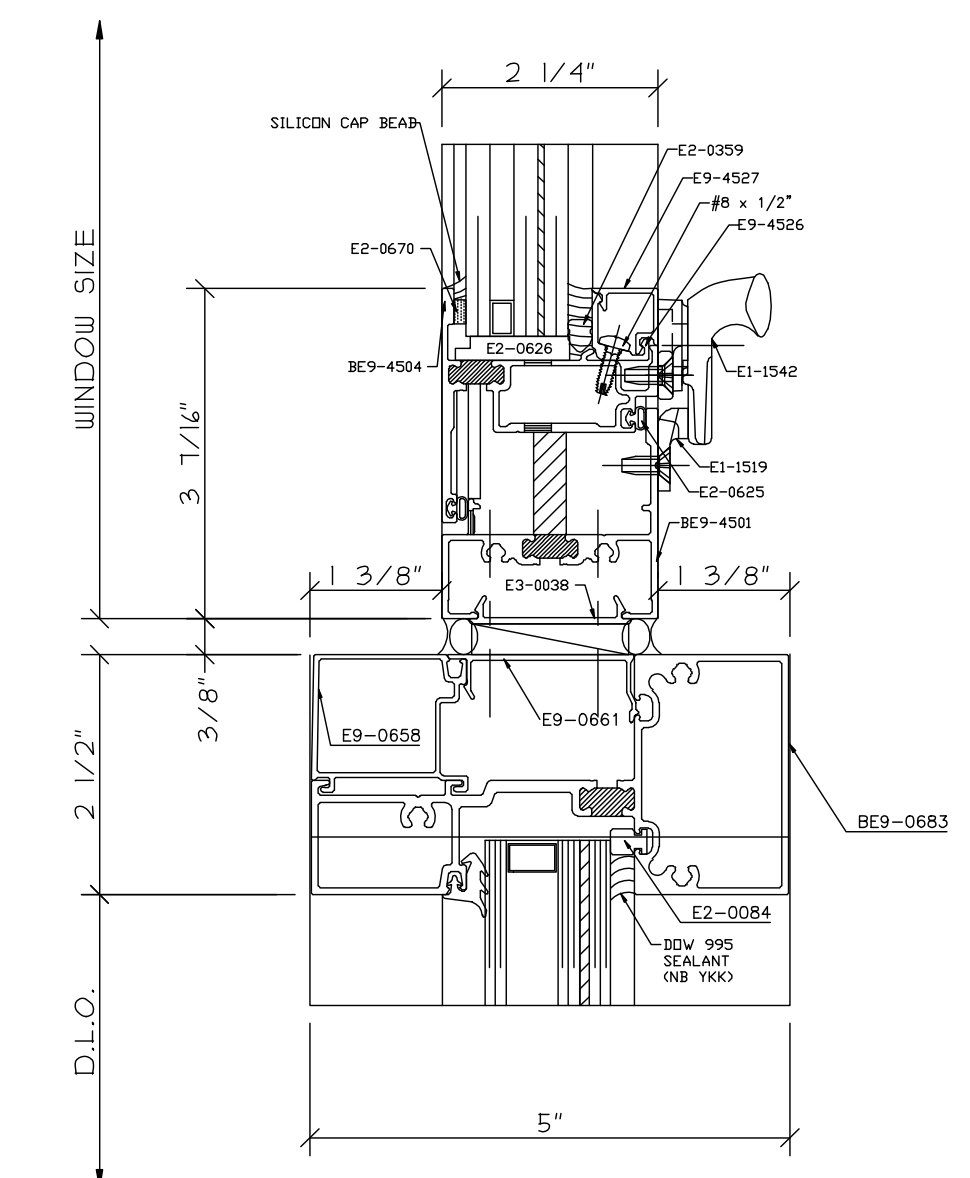
SCALE:
 6" = 1'-0"

DATE:
 SAMPLE

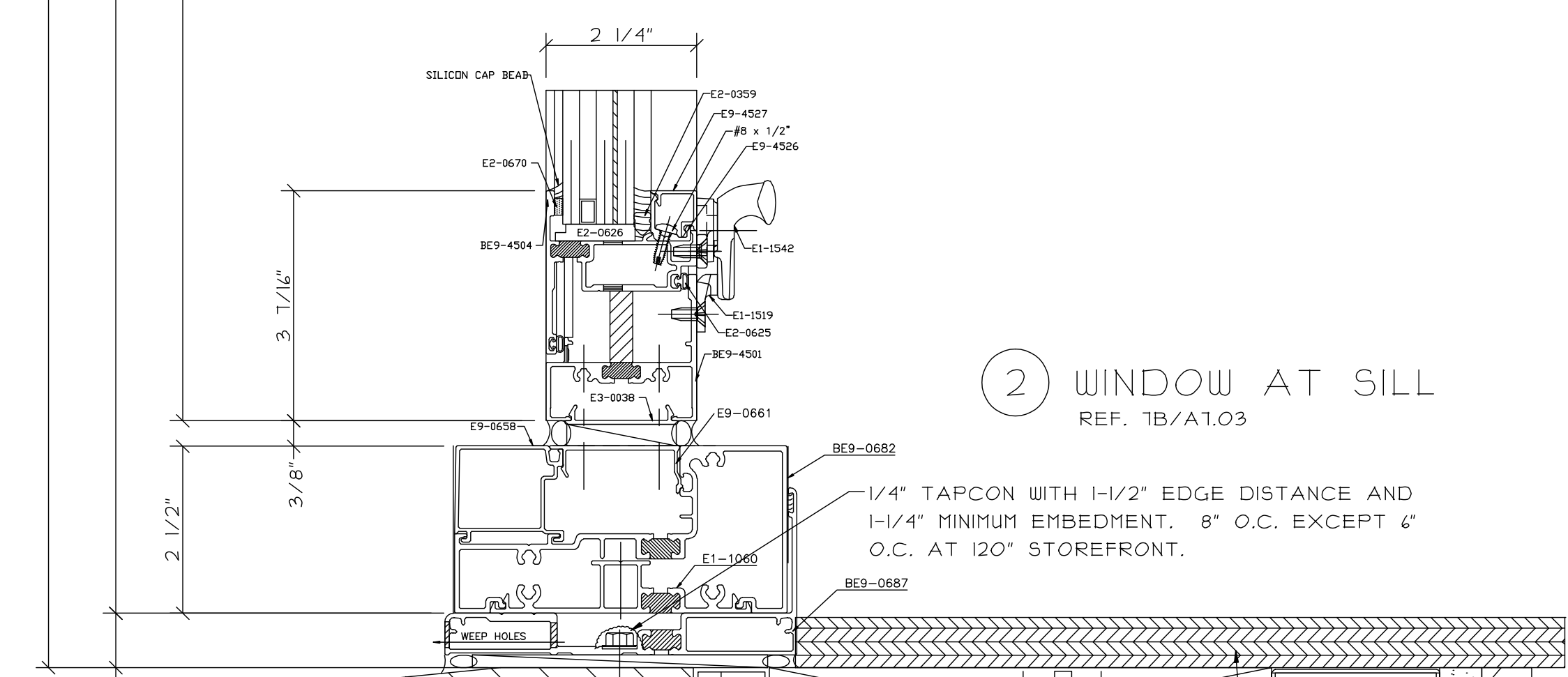
PAGE:
 20 of 44



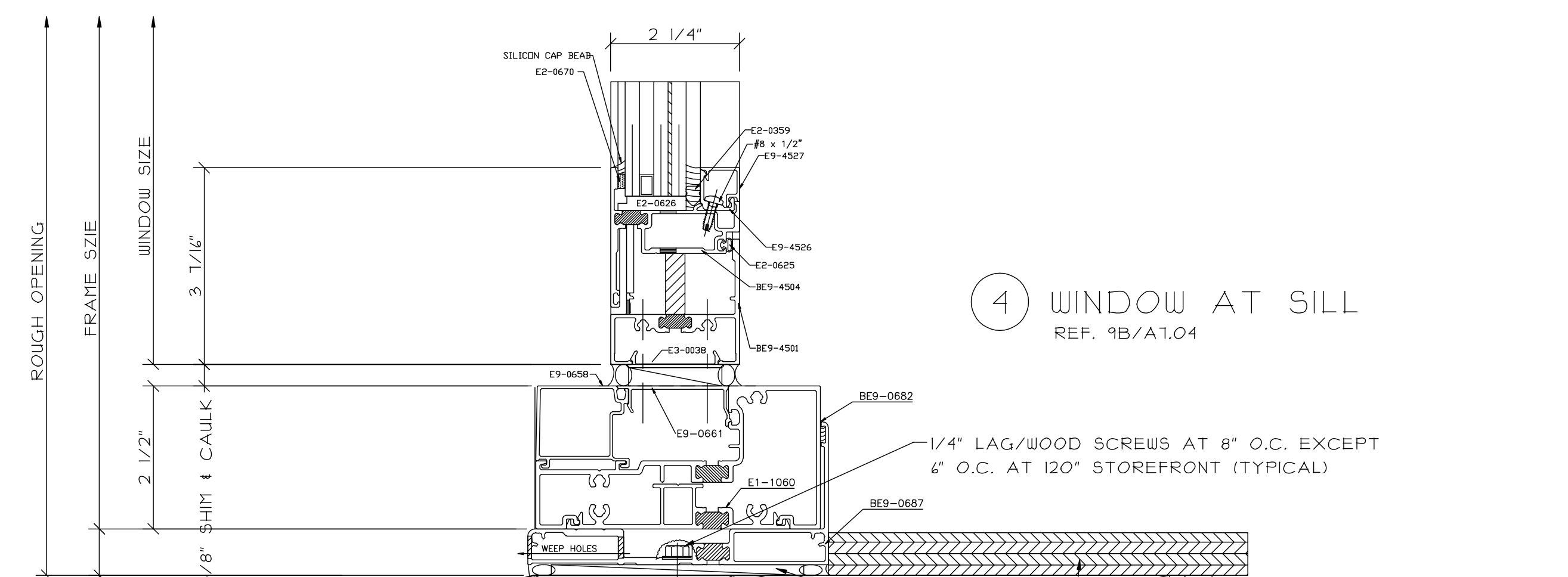
1 WINDOW AT HORIZONTAL MULLION



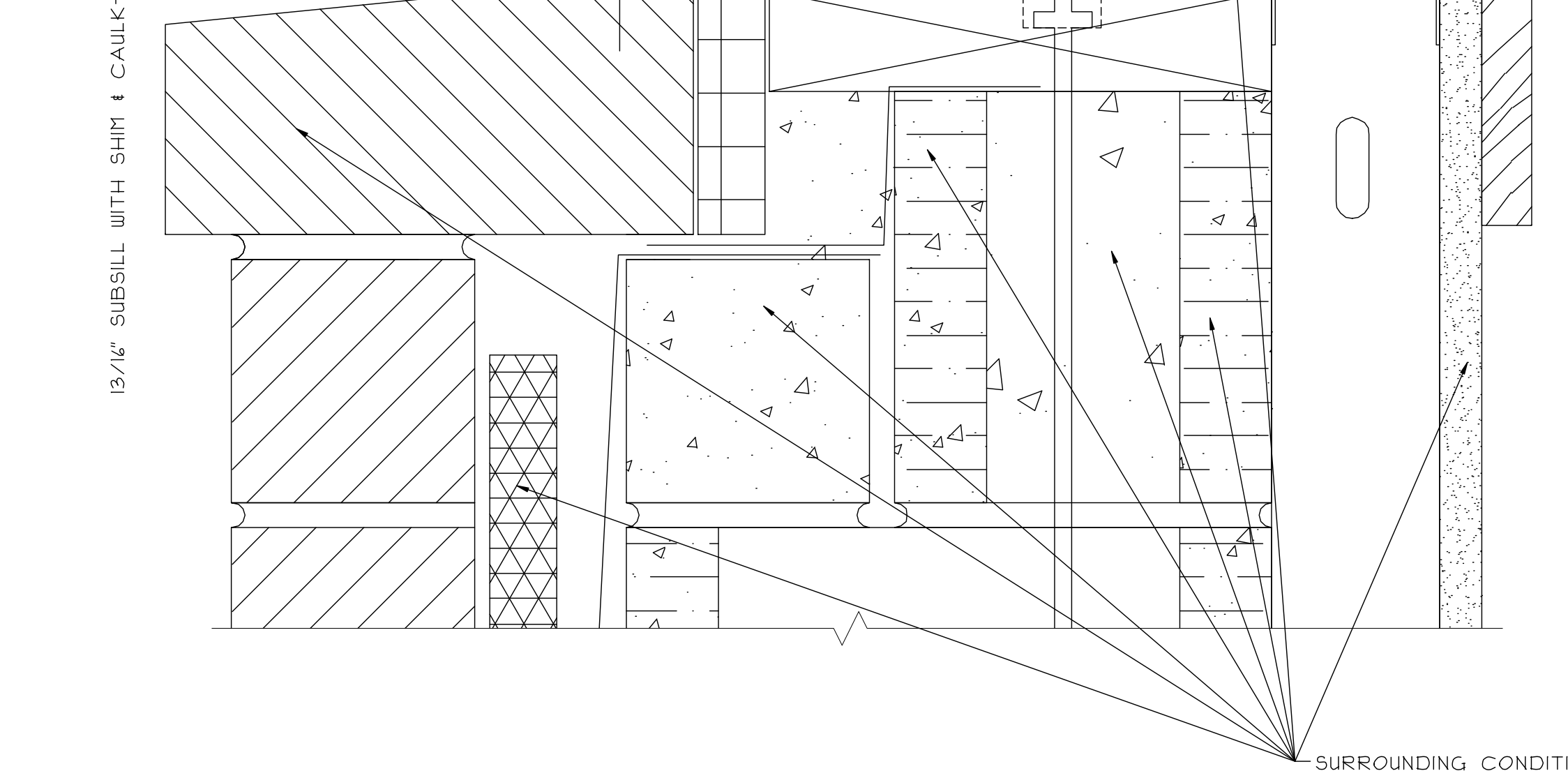
3 WINDOW AT HORIZONTAL MULLION



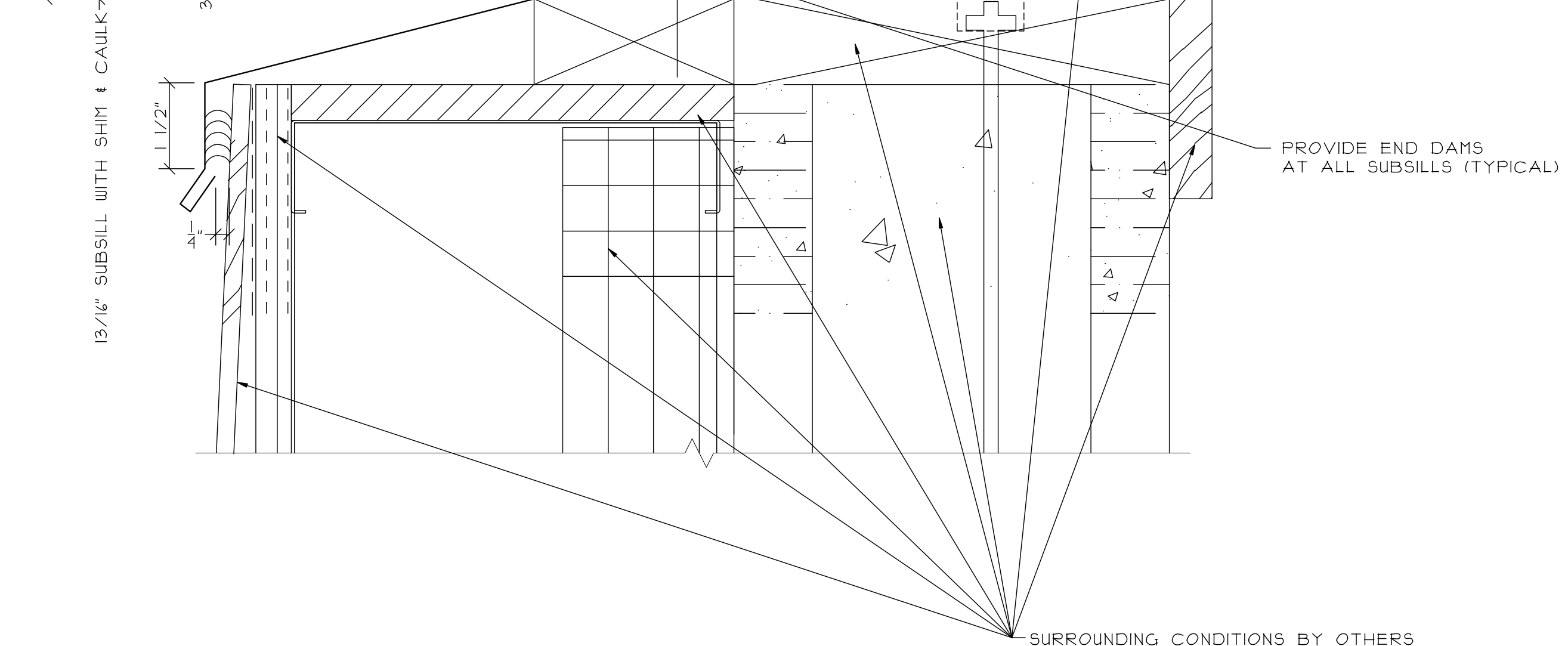
2 WINDOW AT SILL
REF. 7B/A1.03



4 WINDOW AT SILL
REF. 9B/A1.04



SURROUNDING CONDITIONS BY OTHERS



SURROUNDING CONDITIONS BY OTHERS

REVISIONS	DATE

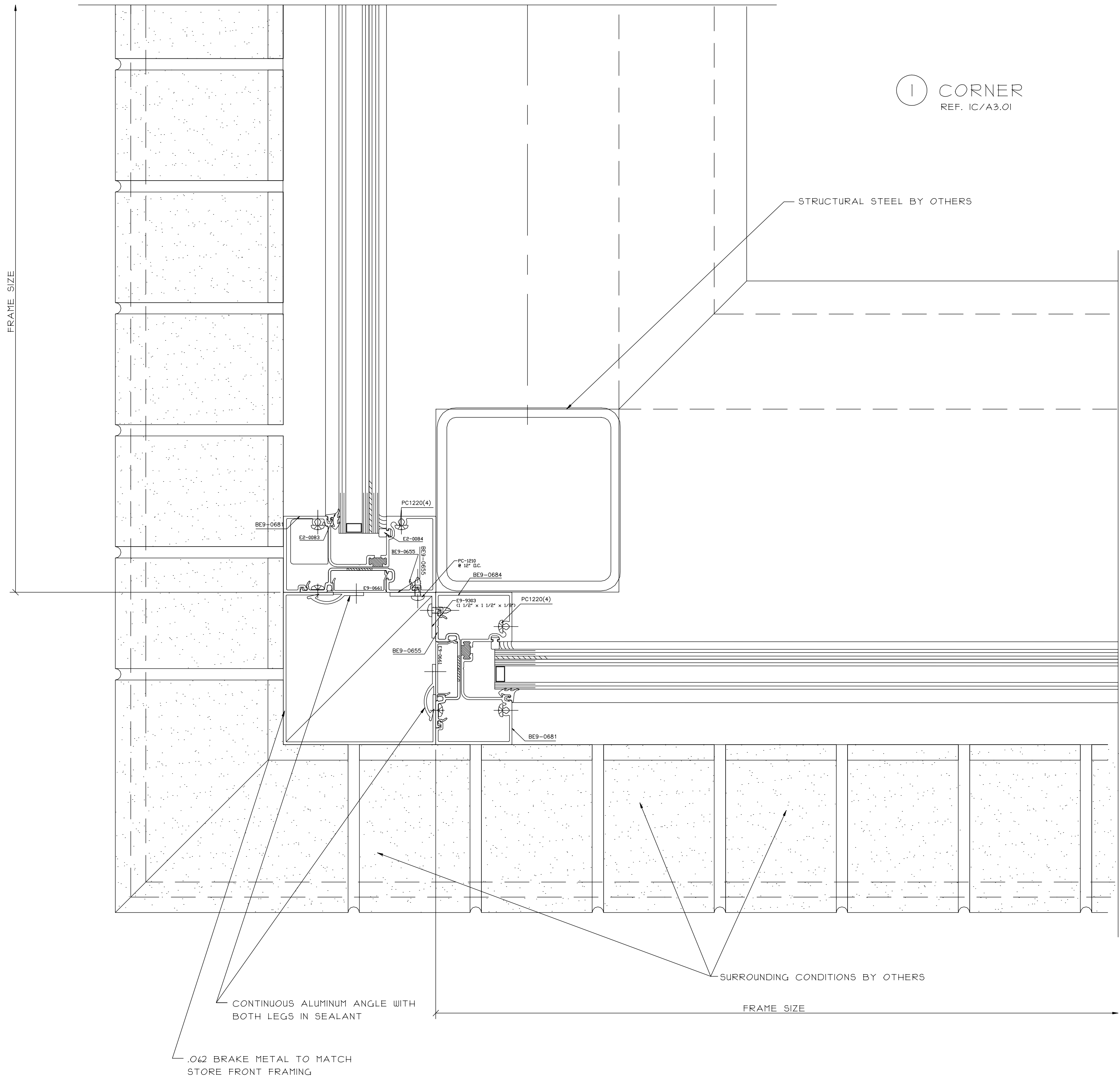
GLAZING CONTRACTOR:
SAMPLE SAMPLE SAMPLE
SAMPLE SAMPLE SAMPLE
SAMPLE SAMPLE SAMPLE
SAMPLE SAMPLE SAMPLE
SAMPLE SAMPLE SAMPLE

ARCHITECT:
SAMPLE SAMPLE SAMPLE
SAMPLE SAMPLE SAMPLE
SAMPLE SAMPLE SAMPLE
SAMPLE SAMPLE SAMPLE
SAMPLE SAMPLE SAMPLE

PROJECT:
SAMPLE SAMPLE SAMPLE

LOCATION:
SAMPLE SAMPLE SAMPLE

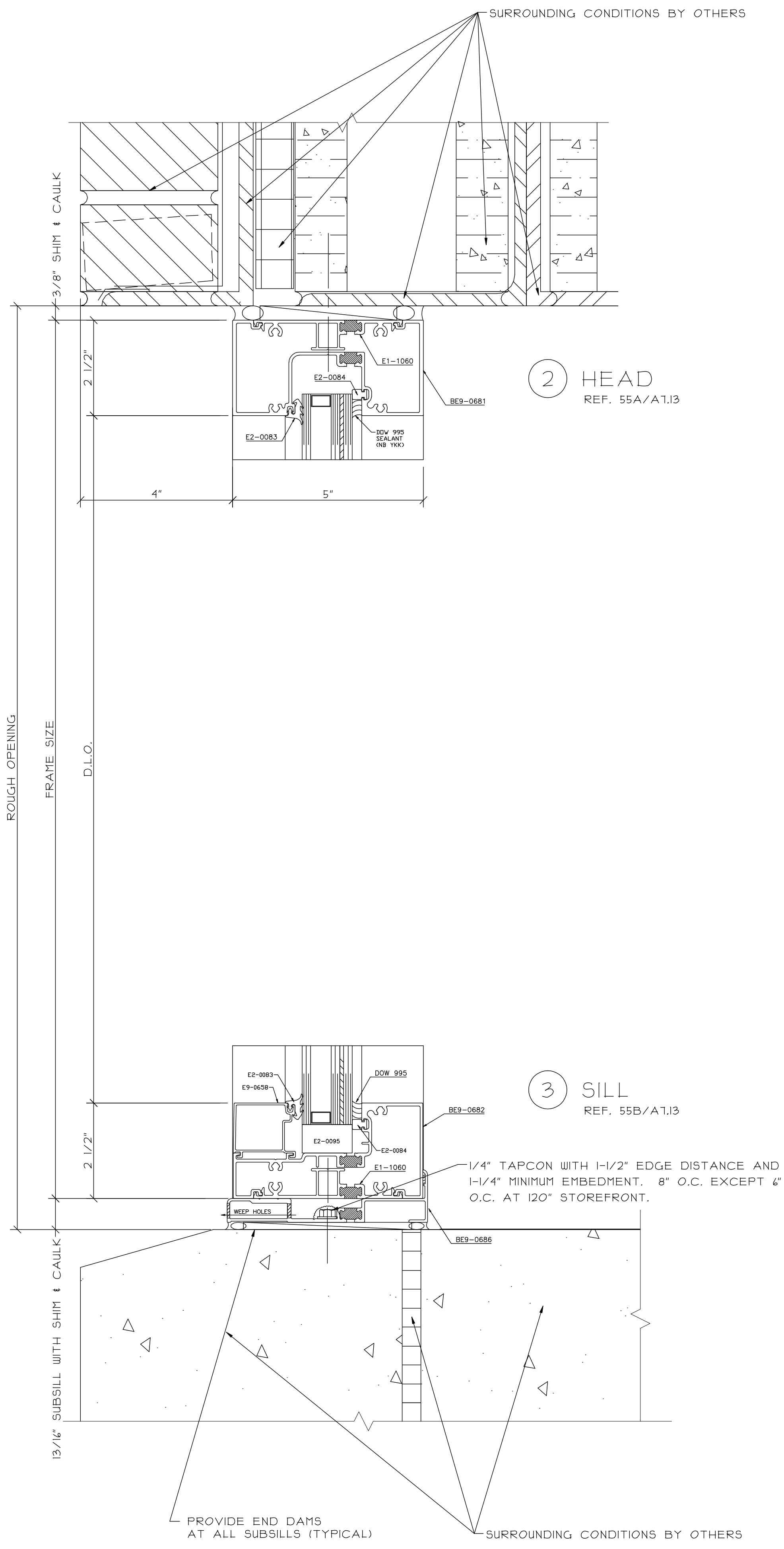
SCALE: 6" = 1'-0"
DATE: SAMPLE
PAGE: 21 of 44



① CORNER
REF. IC/A3.01

② HEAD
REF. 55A/A1J3

③ SILL
REF. 55B/A1J3



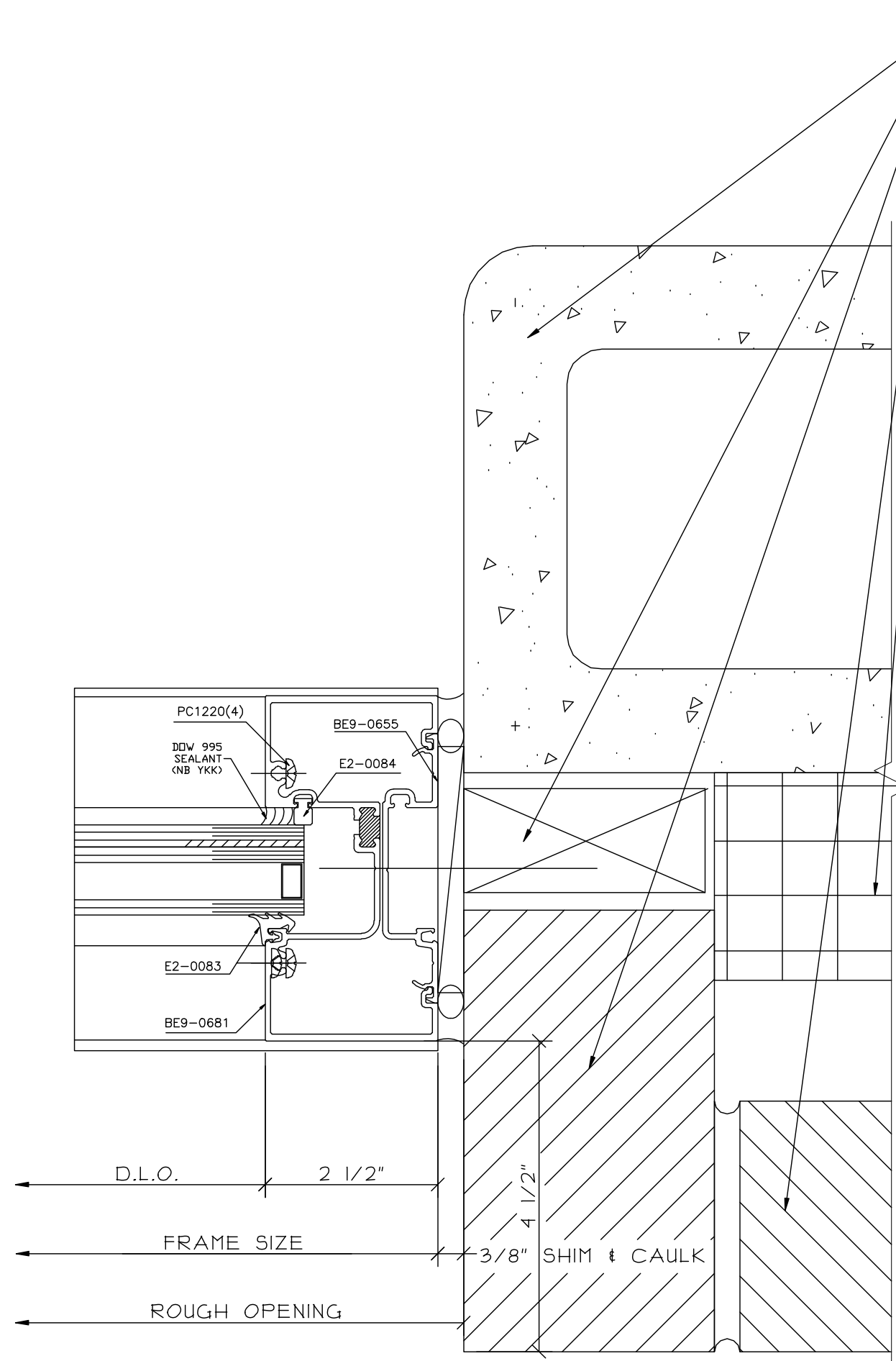
REVISIONS	DATE

GLAZING CONTRACTOR:
SAMPLE
SAMPLE
SAMPLE
SAMPLE
SAMPLE
SAMPLE
SAMPLE

ARCHITECT:
SAMPLE
SAMPLE
SAMPLE
SAMPLE
SAMPLE
SAMPLE
SAMPLE

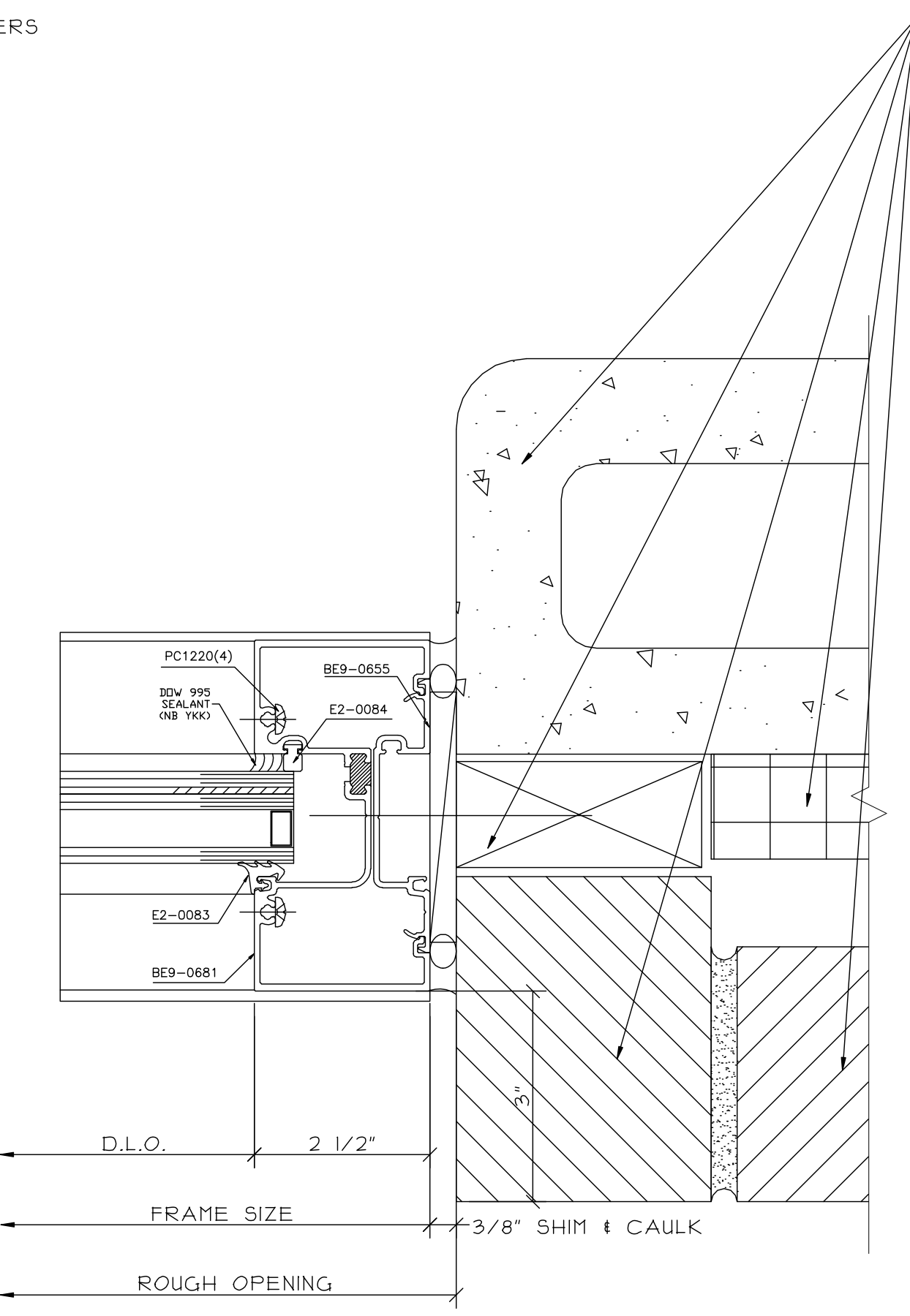
PROJECT:	LOCATION:
SAMPLE	SAMPLE
SAMPLE	SAMPLE
SAMPLE	SAMPLE
SAMPLE	SAMPLE
SAMPLE	SAMPLE

SCALE: 6" = 1'-0"
DATE: SAMPLE
PAGE: 22 of 44



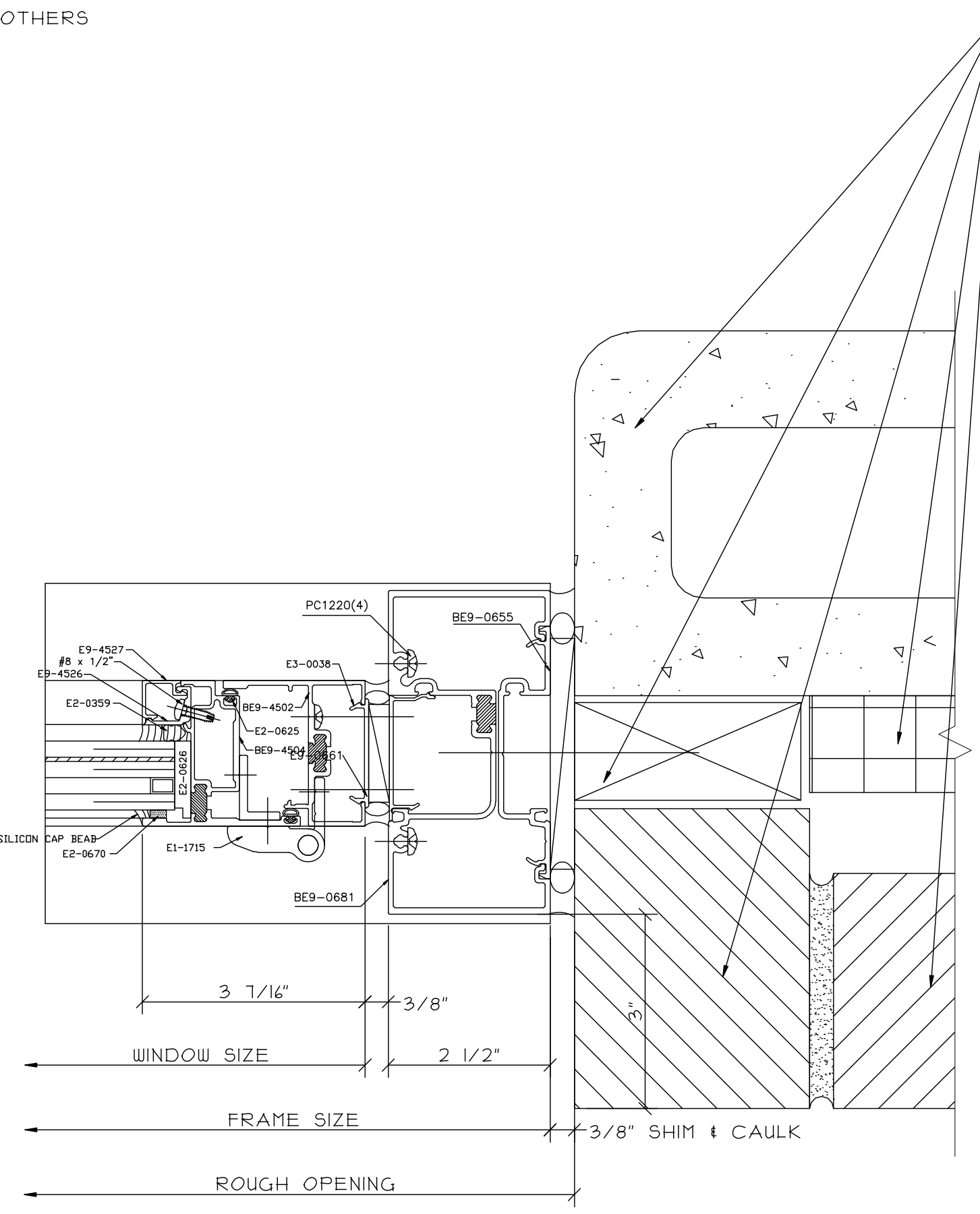
1 JAMB
REF. 10/A3.01

SURROUNDING CONDITIONS BY OTHERS



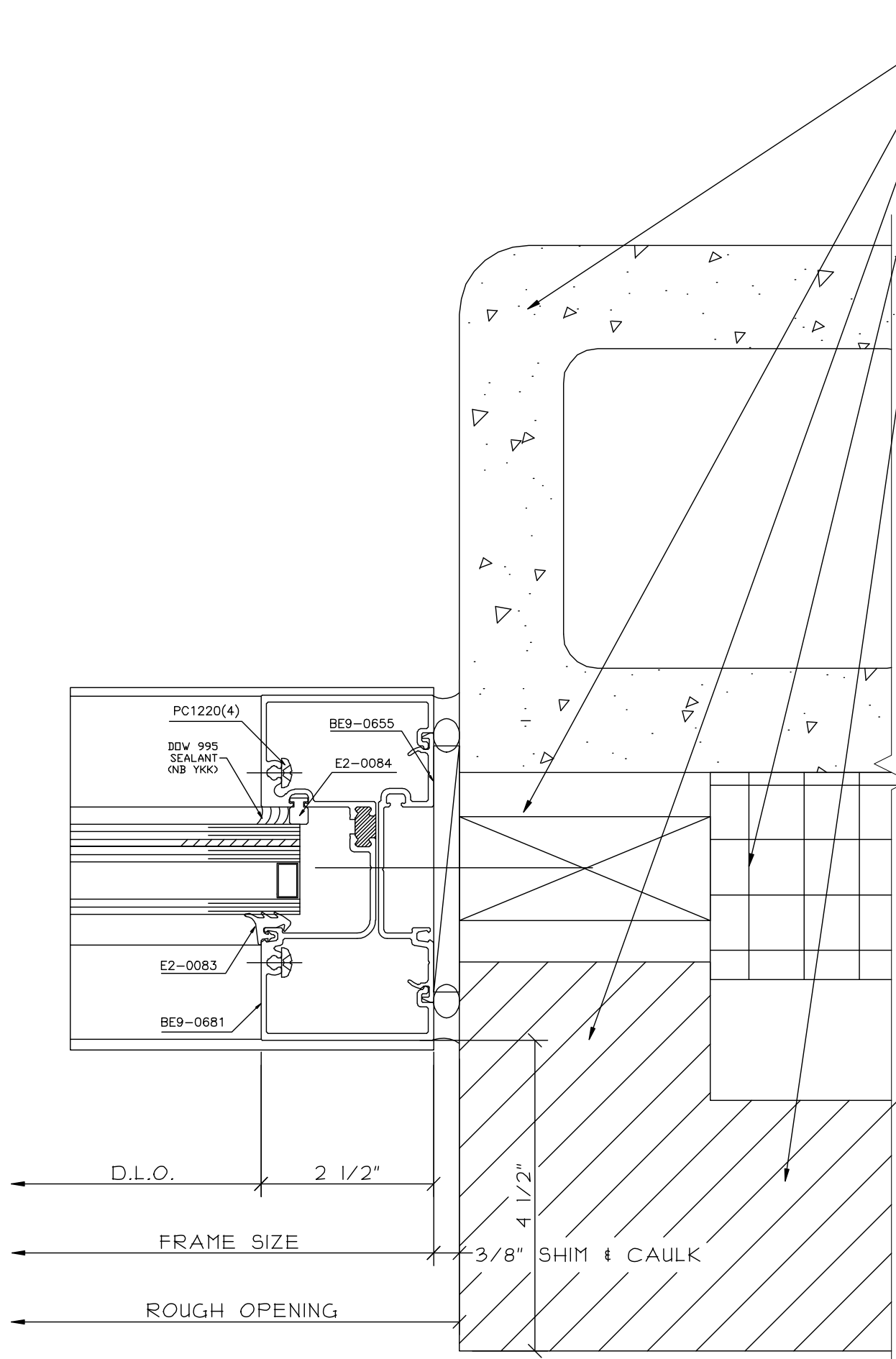
3 JAMB
REF. 31/A3.02

SURROUNDING CONDITIONS BY OTHERS



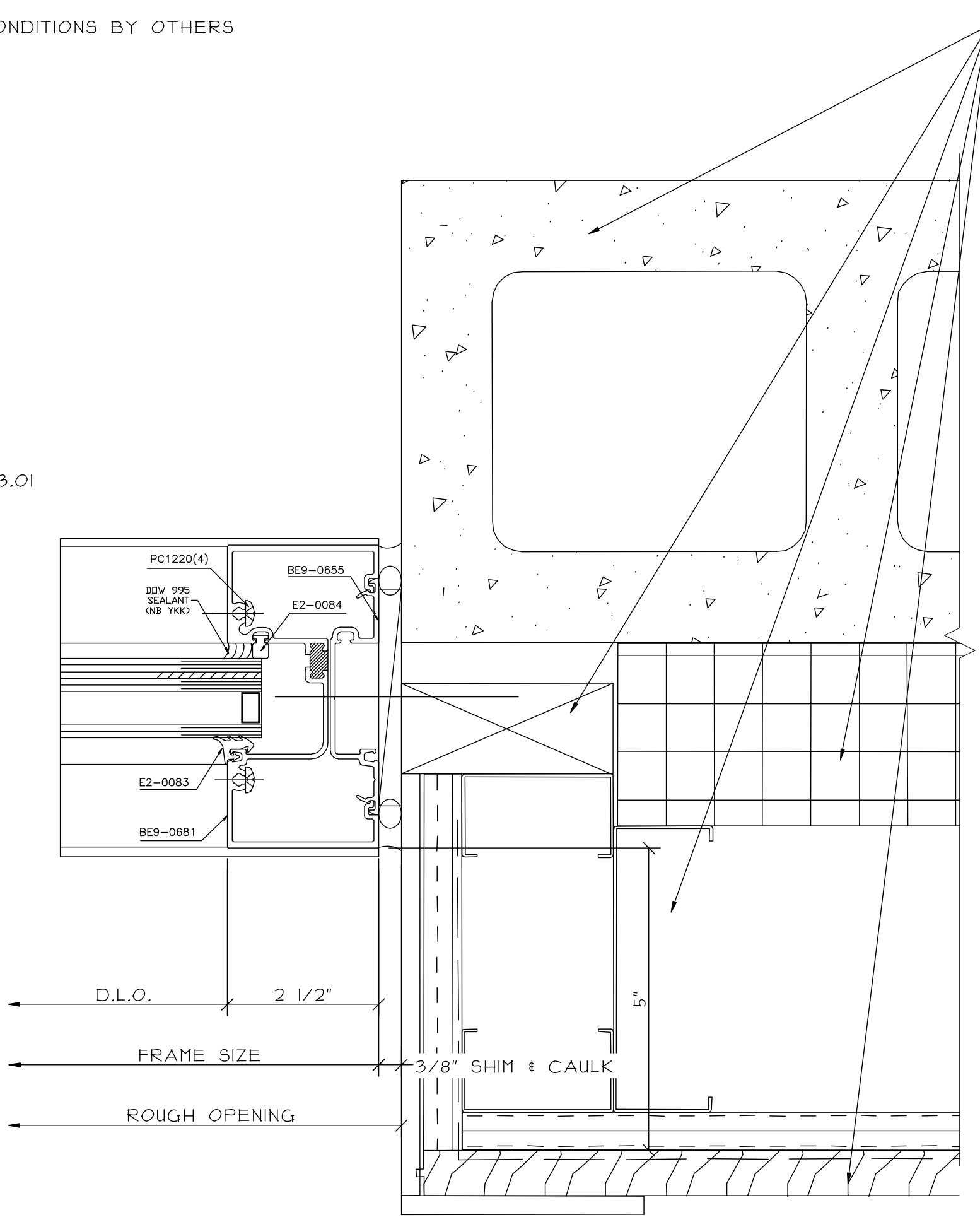
5 WINDOW AT JAMB
REF. 31/A3.02

SURROUNDING CONDITIONS BY OTHERS



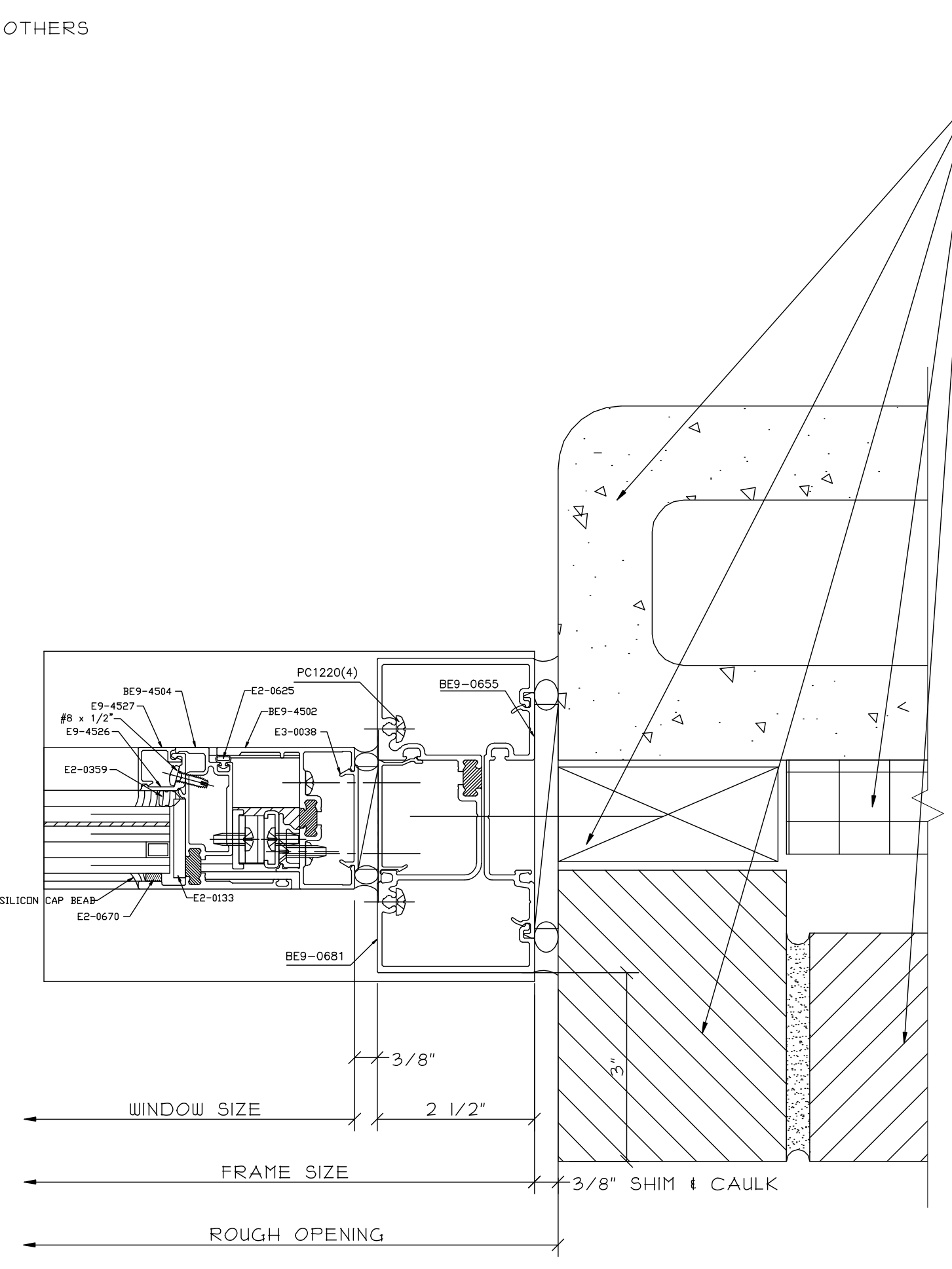
2 JAMB
REF. 11/A3.01

SURROUNDING CONDITIONS BY OTHERS



4 JAMB
REF. 31/A3.02

SURROUNDING CONDITIONS BY OTHERS



6 WINDOW AT JAMB
REF. 31/A3.02

SURROUNDING CONDITIONS BY OTHERS

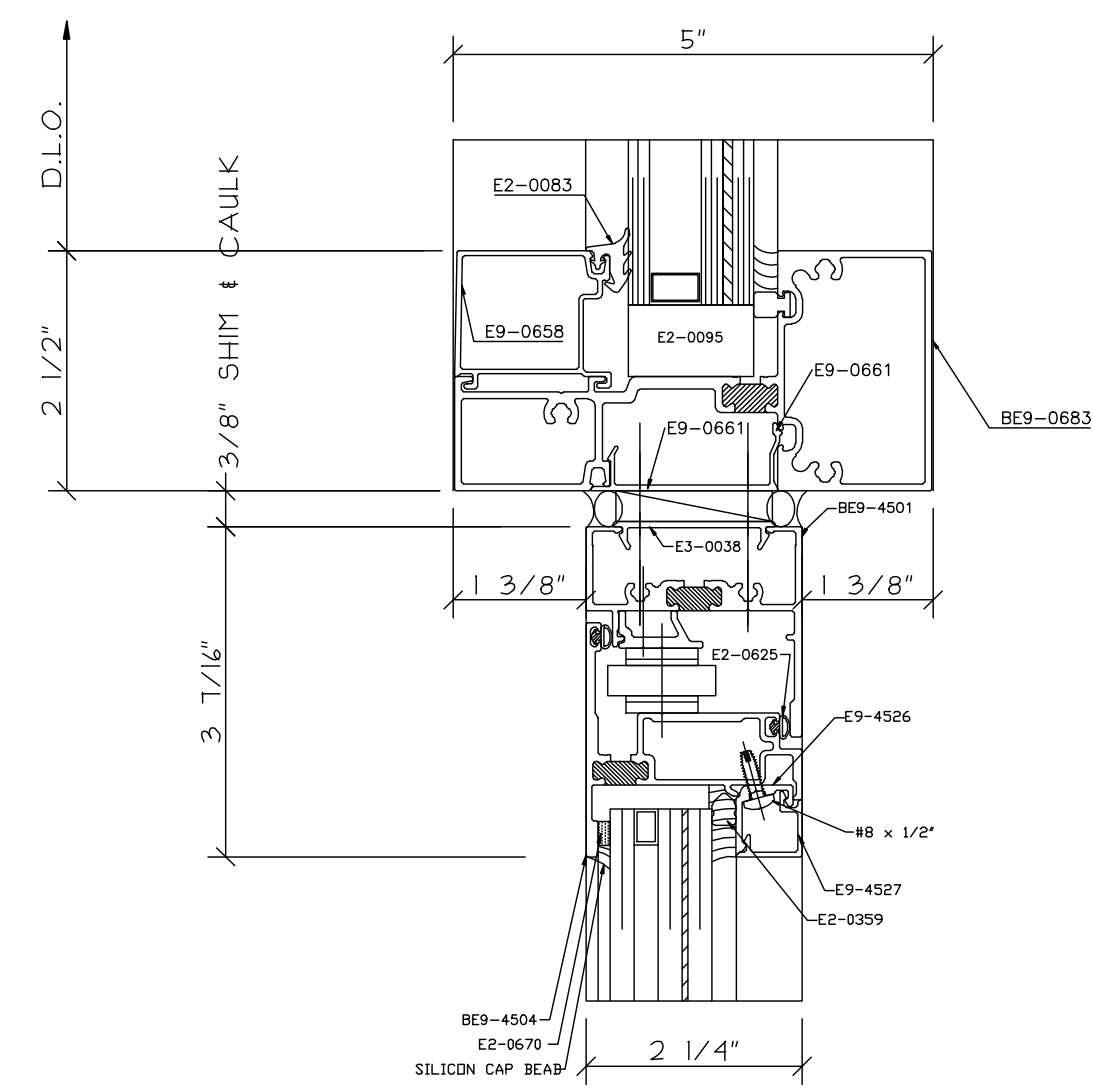
REVISIONS	DATE

GLAZING CONTRACTOR:
SAMPLE SAMPLE SAMPLE
SAMPLE SAMPLE SAMPLE
SAMPLE SAMPLE SAMPLE
SAMPLE SAMPLE SAMPLE
SAMPLE SAMPLE SAMPLE

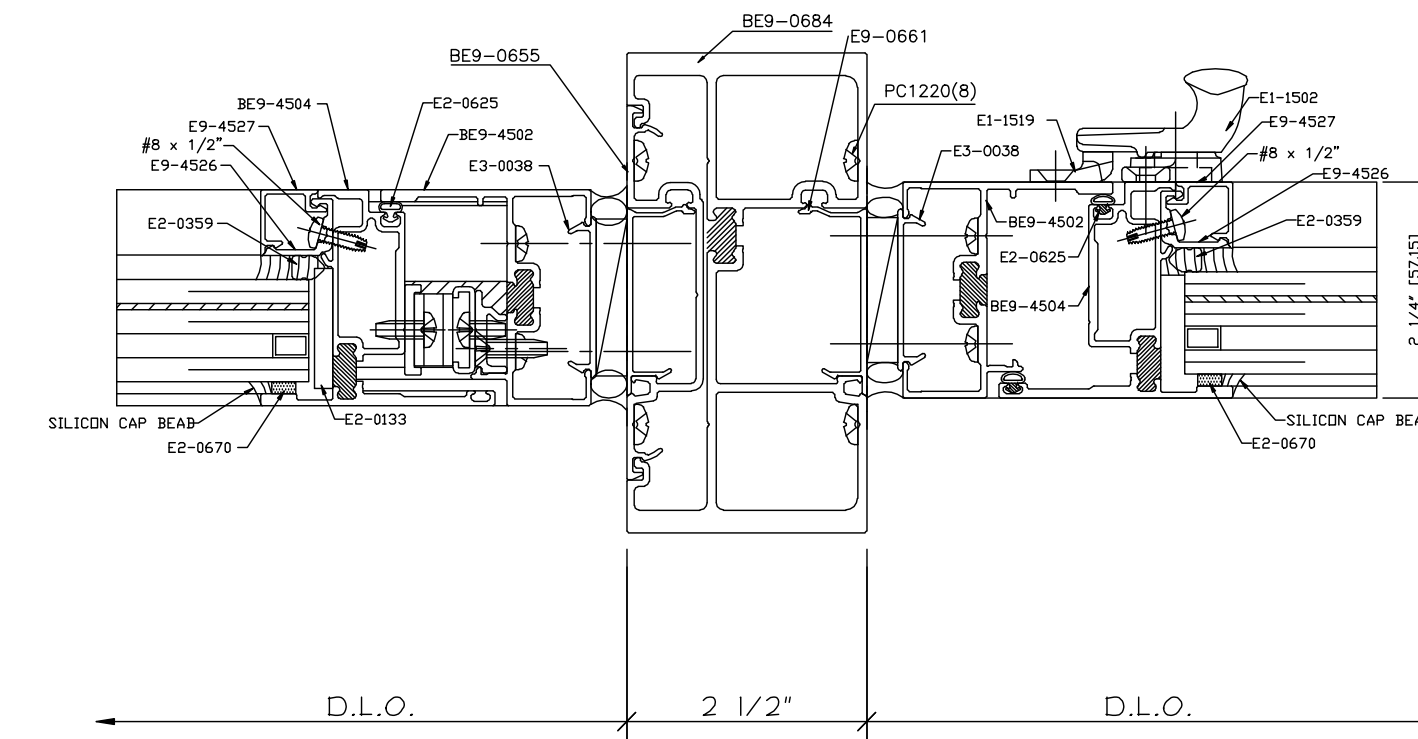
ARCHITECT:
SAMPLE SAMPLE SAMPLE
SAMPLE SAMPLE SAMPLE
SAMPLE SAMPLE SAMPLE
SAMPLE SAMPLE SAMPLE
SAMPLE SAMPLE SAMPLE

PROJECT:	LOCATION:
SAMPLE SAMPLE SAMPLE	SAMPLE SAMPLE SAMPLE
SAMPLE SAMPLE SAMPLE	SAMPLE SAMPLE SAMPLE

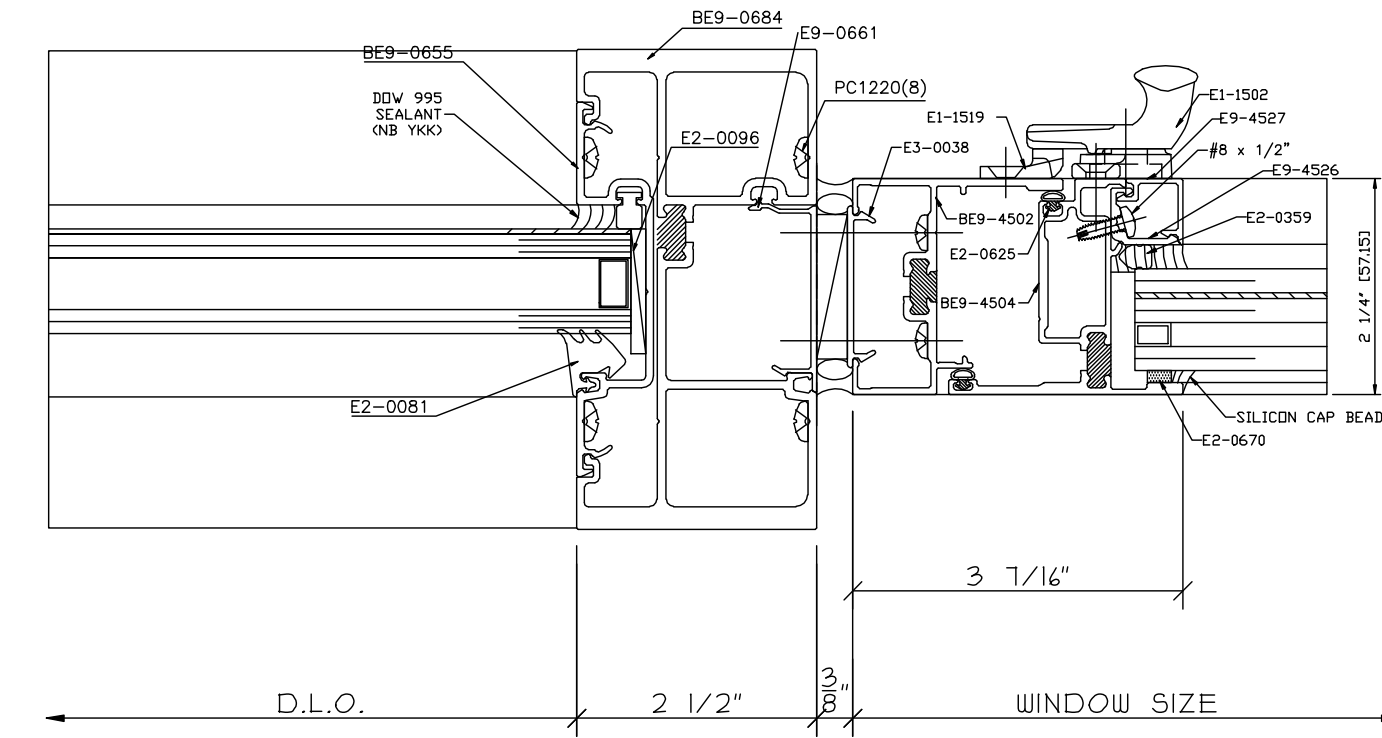
SCALE: 6" = 1'-0"
DATE: SAMPLE
PAGE: 23 of 44



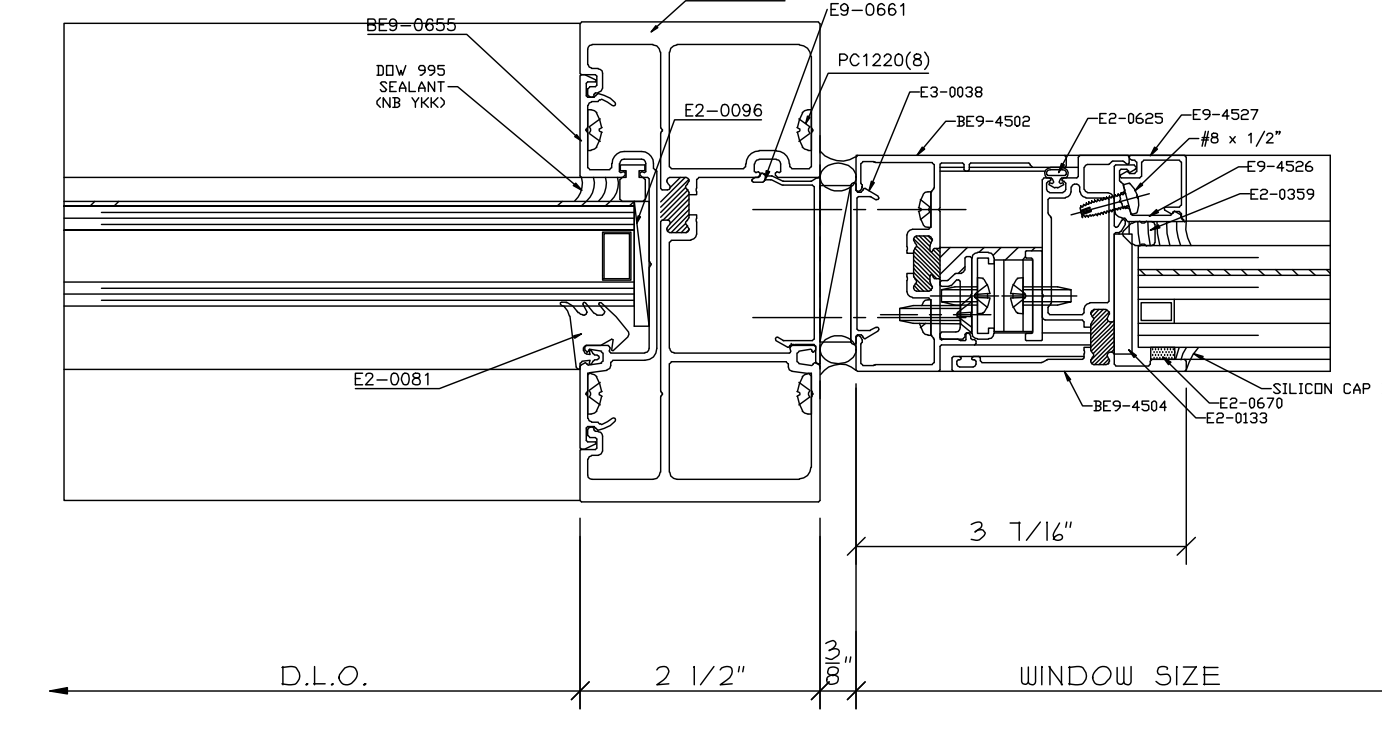
① CASEMENT WINDOW AT HORIZONTAL MULLION



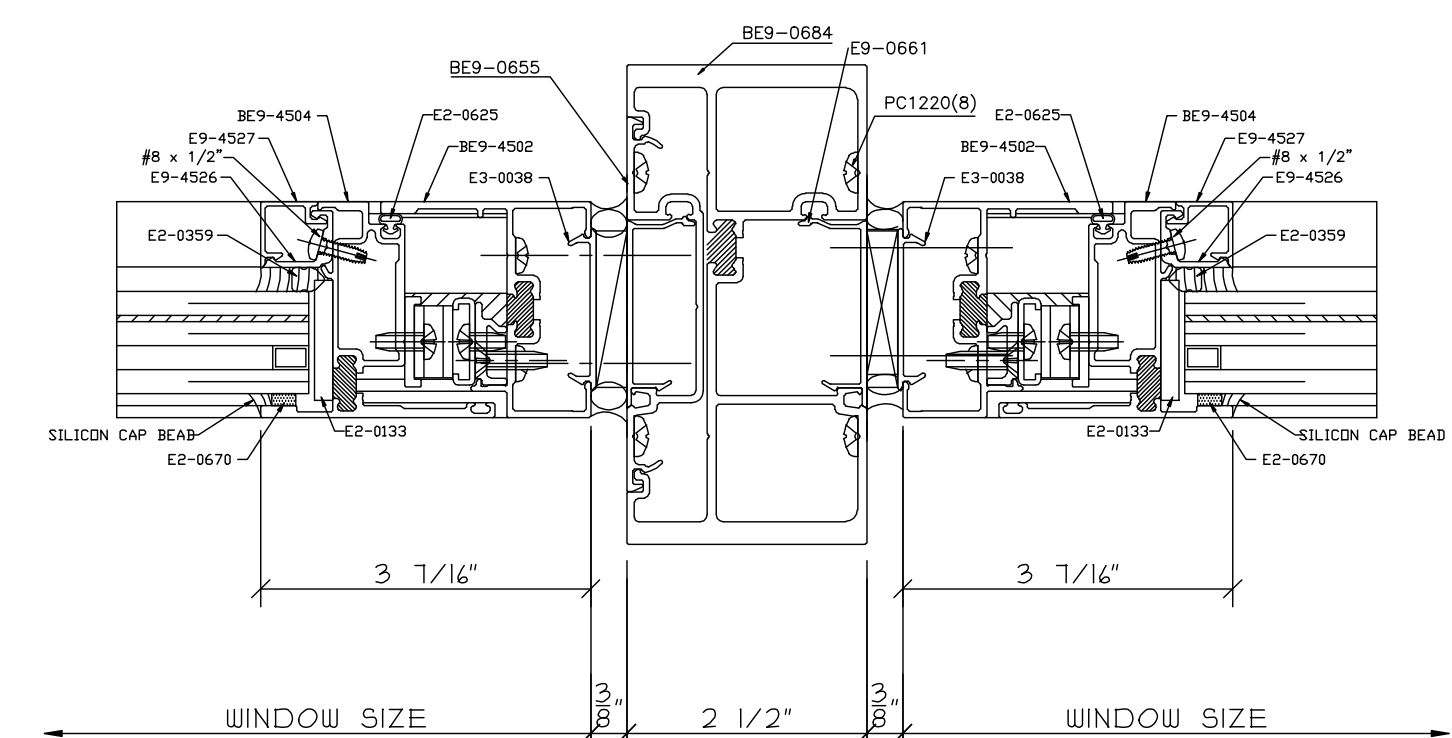
③ CASEMENT WINDOWS AT VERTICAL MULLION



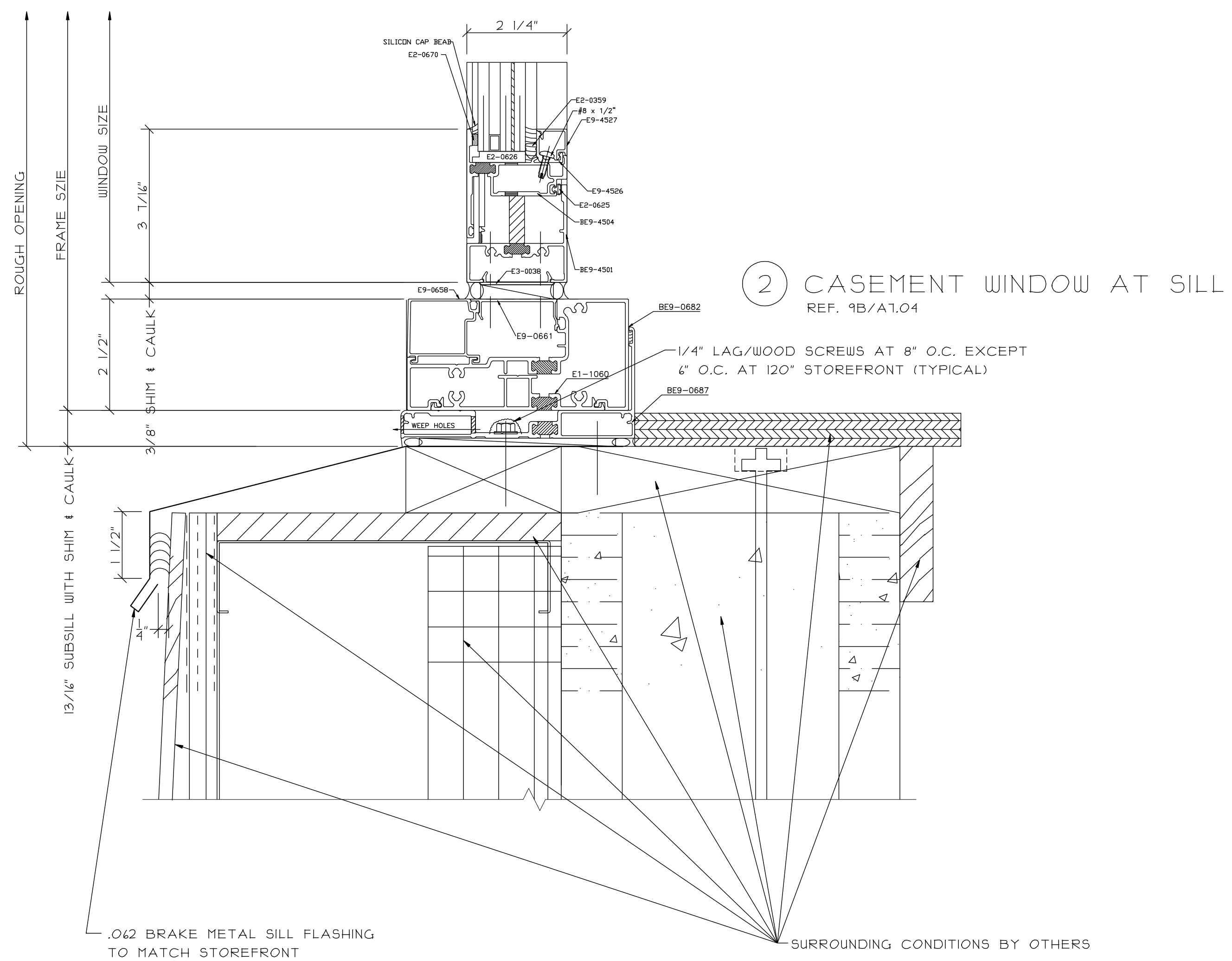
④ CASEMENT WINDOW AT VERTICAL MULLION



⑤ PROJECT OUT WINDOW AT VERTICAL MULLION



⑥ PROJECT OUT WINDOWS AT VERTICAL MULLION



② CASEMENT WINDOW AT SILL
REF. 9B/A1.04

1/4" LAG/WOOD SCREWS AT 8" O.C. EXCEPT
6" O.C. AT 120" STOREFRONT (TYPICAL)

.042 BRAKE METAL SILL FLASHING
TO MATCH STOREFRONT

SURROUNDING CONDITIONS BY OTHERS

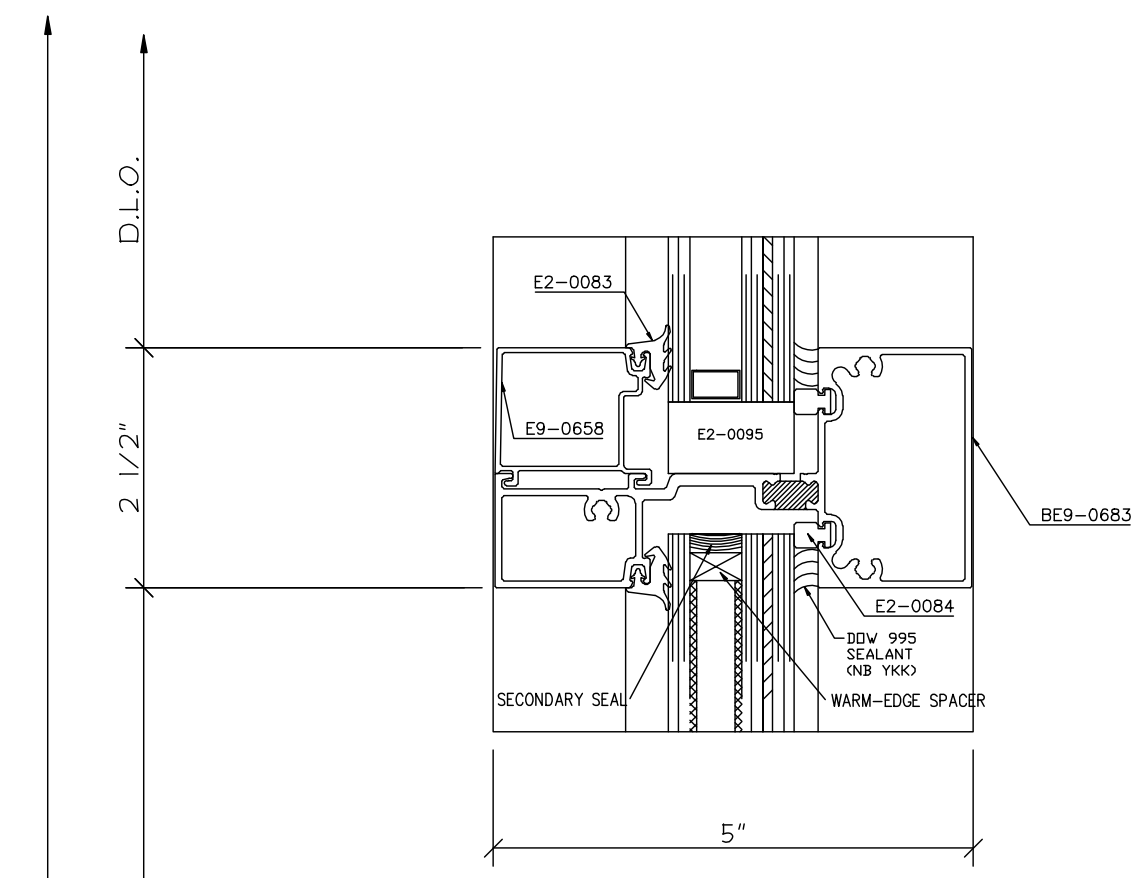
REVISIONS	DATE

GLAZING CONTRACTOR:
SAMPLE SAMPLE SAMPLE
SAMPLE SAMPLE SAMPLE
SAMPLE SAMPLE SAMPLE
SAMPLE SAMPLE SAMPLE
SAMPLE SAMPLE SAMPLE

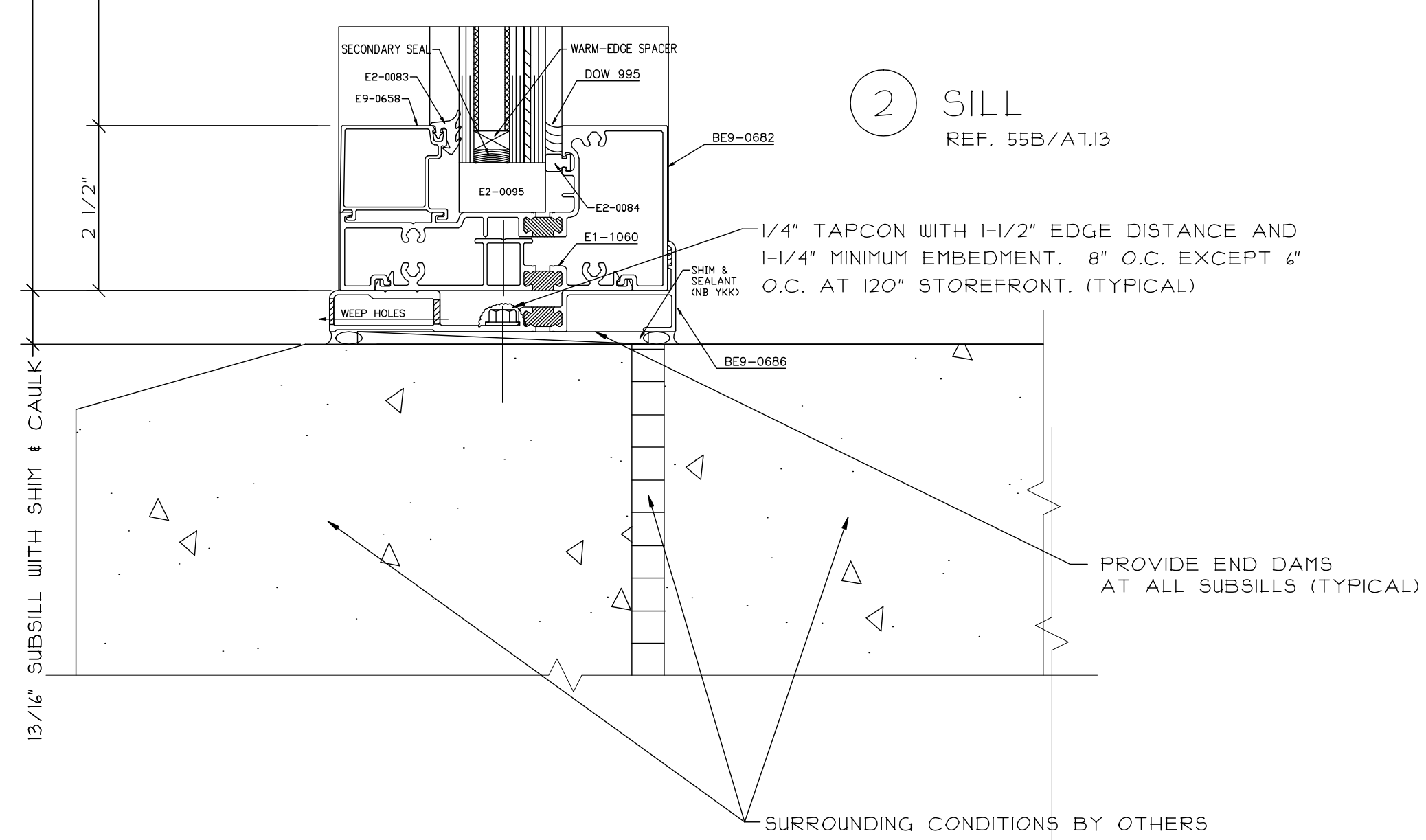
ARCHITECT:
SAMPLE SAMPLE SAMPLE
SAMPLE SAMPLE SAMPLE
SAMPLE SAMPLE SAMPLE
SAMPLE SAMPLE SAMPLE
SAMPLE SAMPLE SAMPLE

PROJECT:	LOCATION:
SAMPLE SAMPLE SAMPLE	SAMPLE SAMPLE SAMPLE
SAMPLE SAMPLE SAMPLE	SAMPLE SAMPLE SAMPLE

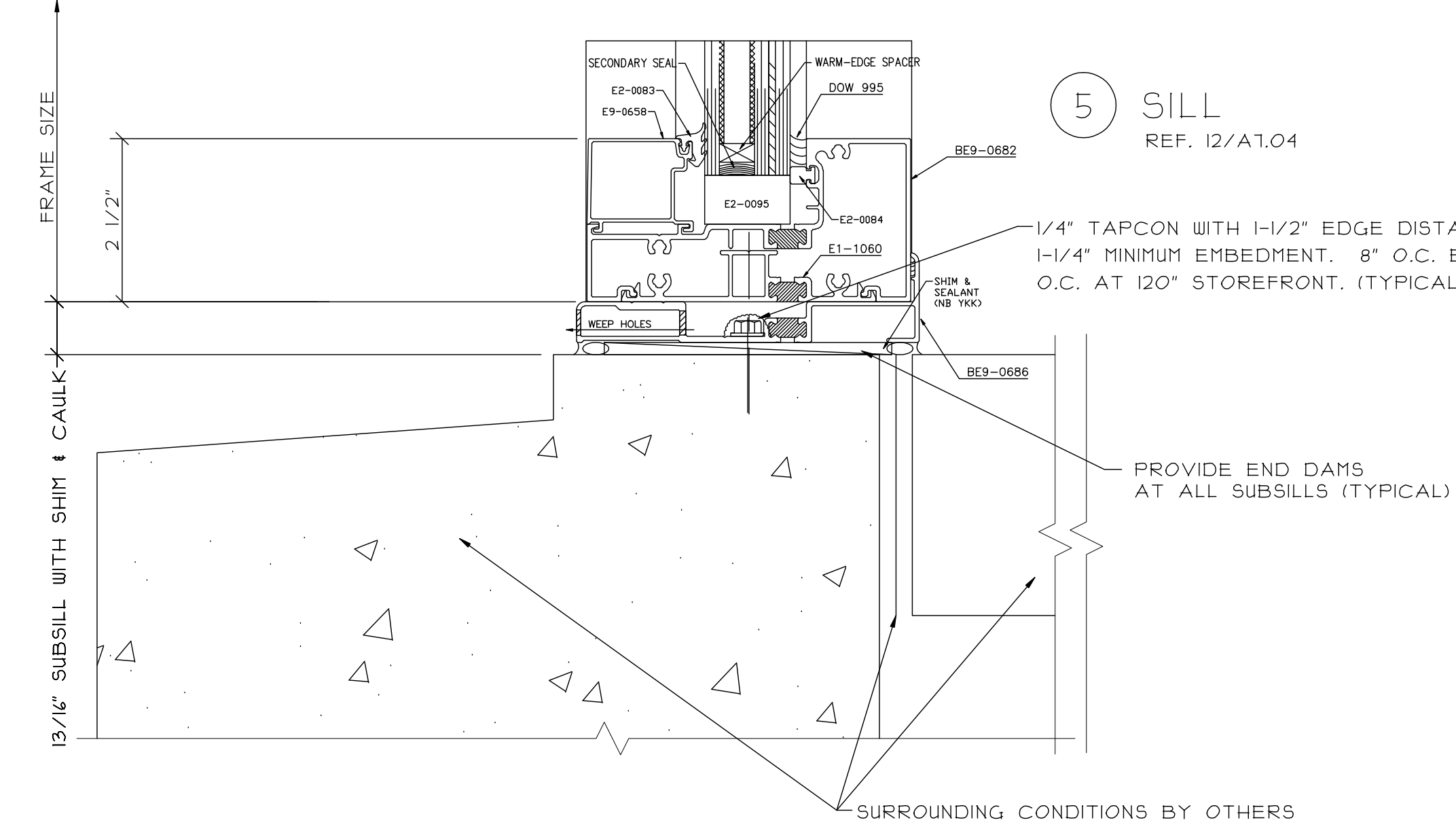
SCALE: 6" = 1'-0"
DATE: SAMPLE
PAGE: 24 of 44



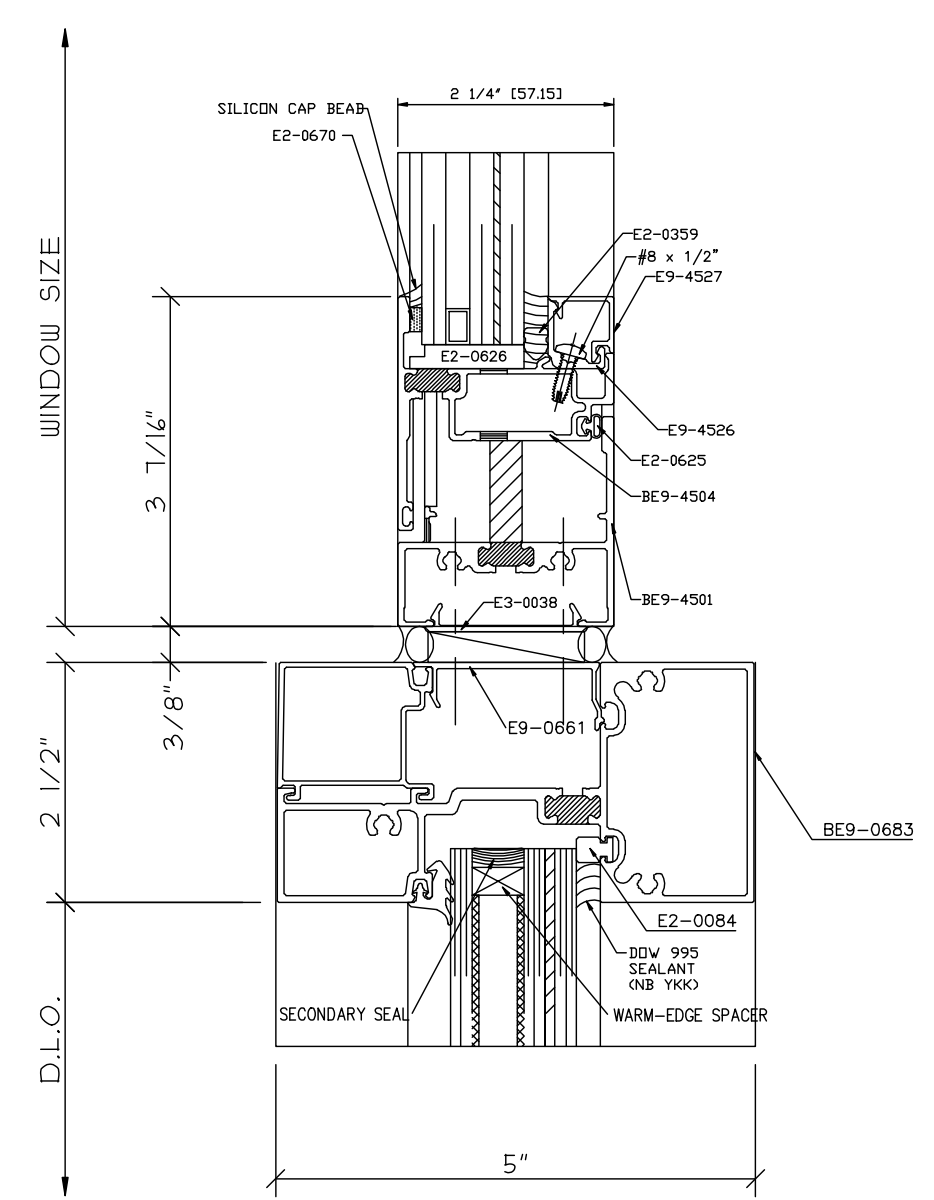
① HORIZONTAL MULLION



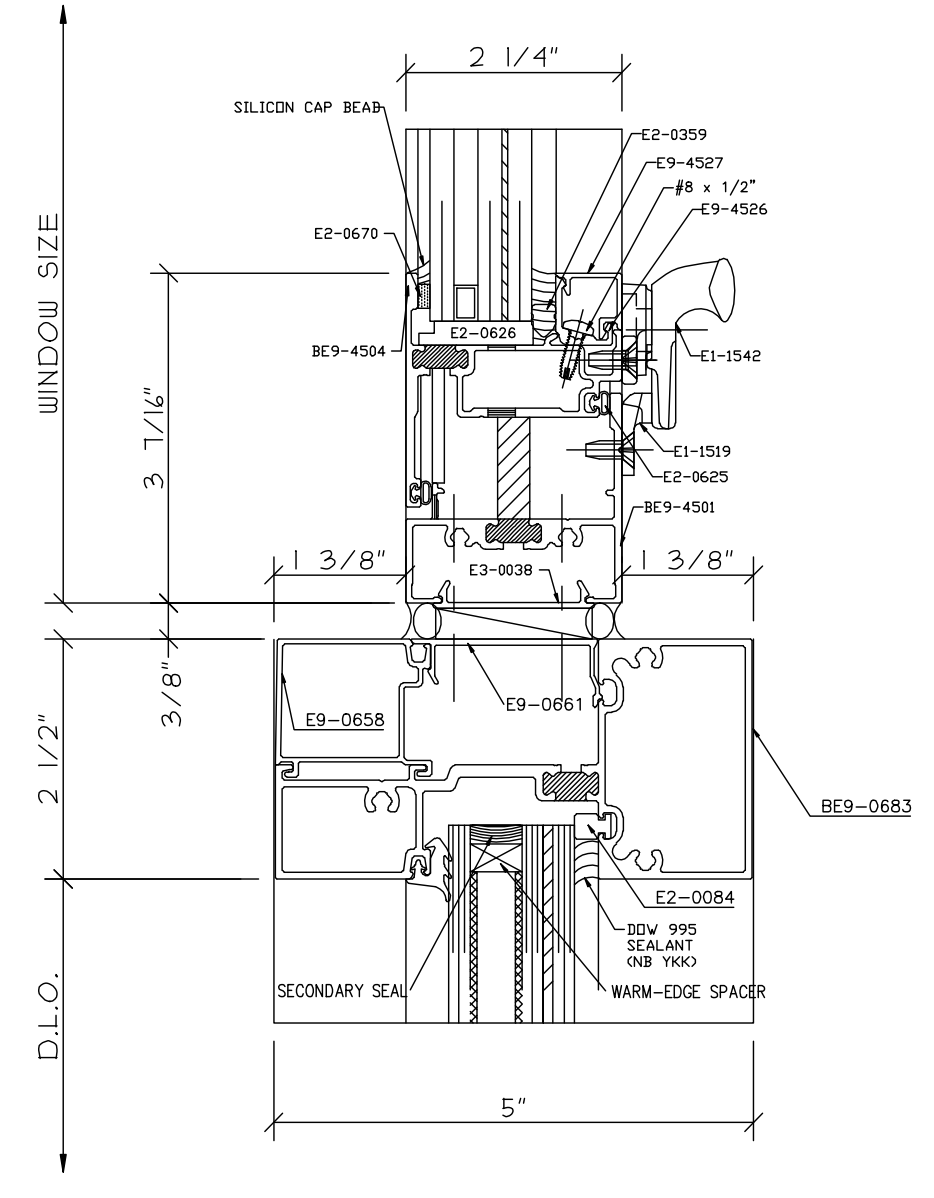
② SILL
REF. 55B/A1.13



⑤ SILL
REF. 12/A1.04

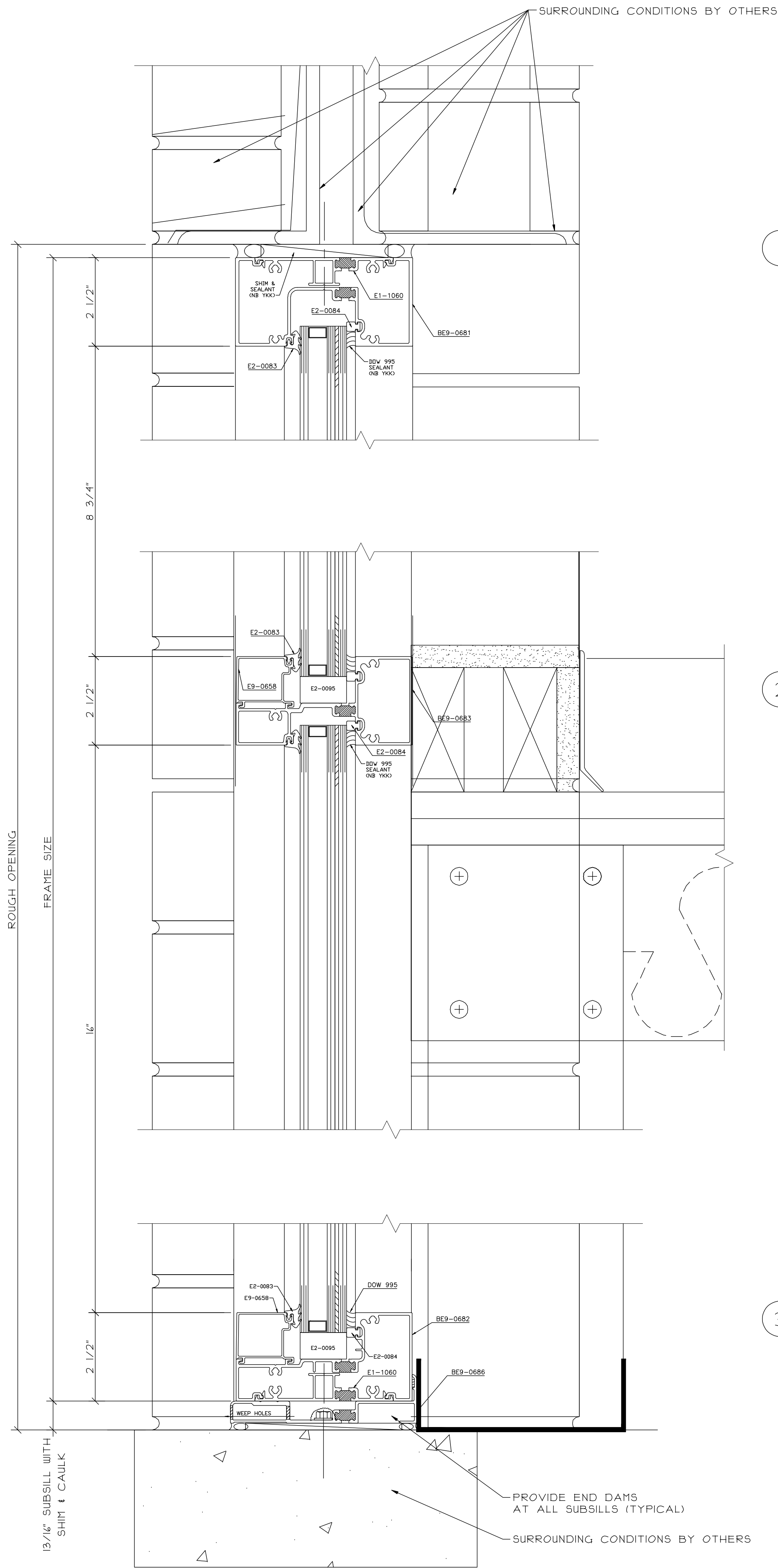


③ CASEMENT WINDOW AT HORIZONTAL MULLION



④ PROJECT OUT WINDOW AT HORIZONTAL MULLION

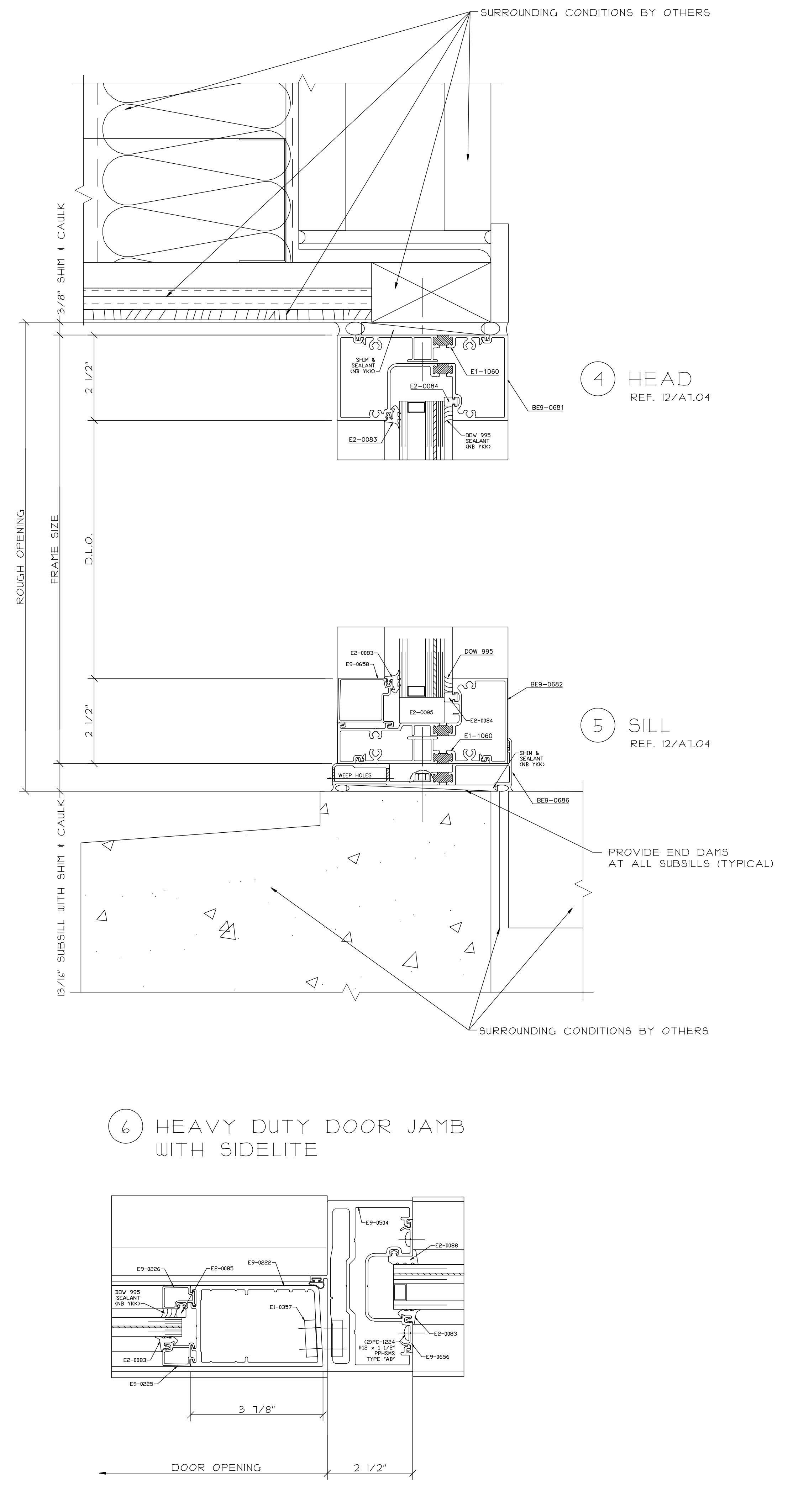
PROJECT:	SAMPLE SAMPLE SAMPLE
LOCATION:	SAMPLE SAMPLE SAMPLE
SCALE:	6" = 1'-0"
DATE:	SAMPLE
PAGE:	25 of 44
GLAZING CONTRACTOR:	SAMPLE SAMPLE SAMPLE
ARCHITECT:	SAMPLE SAMPLE SAMPLE
REVISIONS:	
DATE:	



① HEAD AT CHORUS ROOM
REF. 50/A1.12

② HORIZONTAL MULLION
AT CHORUS ROOM
REF. 50B/A1.12

③ SILL AT CHORUS ROOM
REF. 50B/A1.12



④ HEAD
REF. 12/A1.04

⑤ SILL
REF. 12/A1.04

⑥ HEAVY DUTY DOOR JAMB
WITH SIDELITE

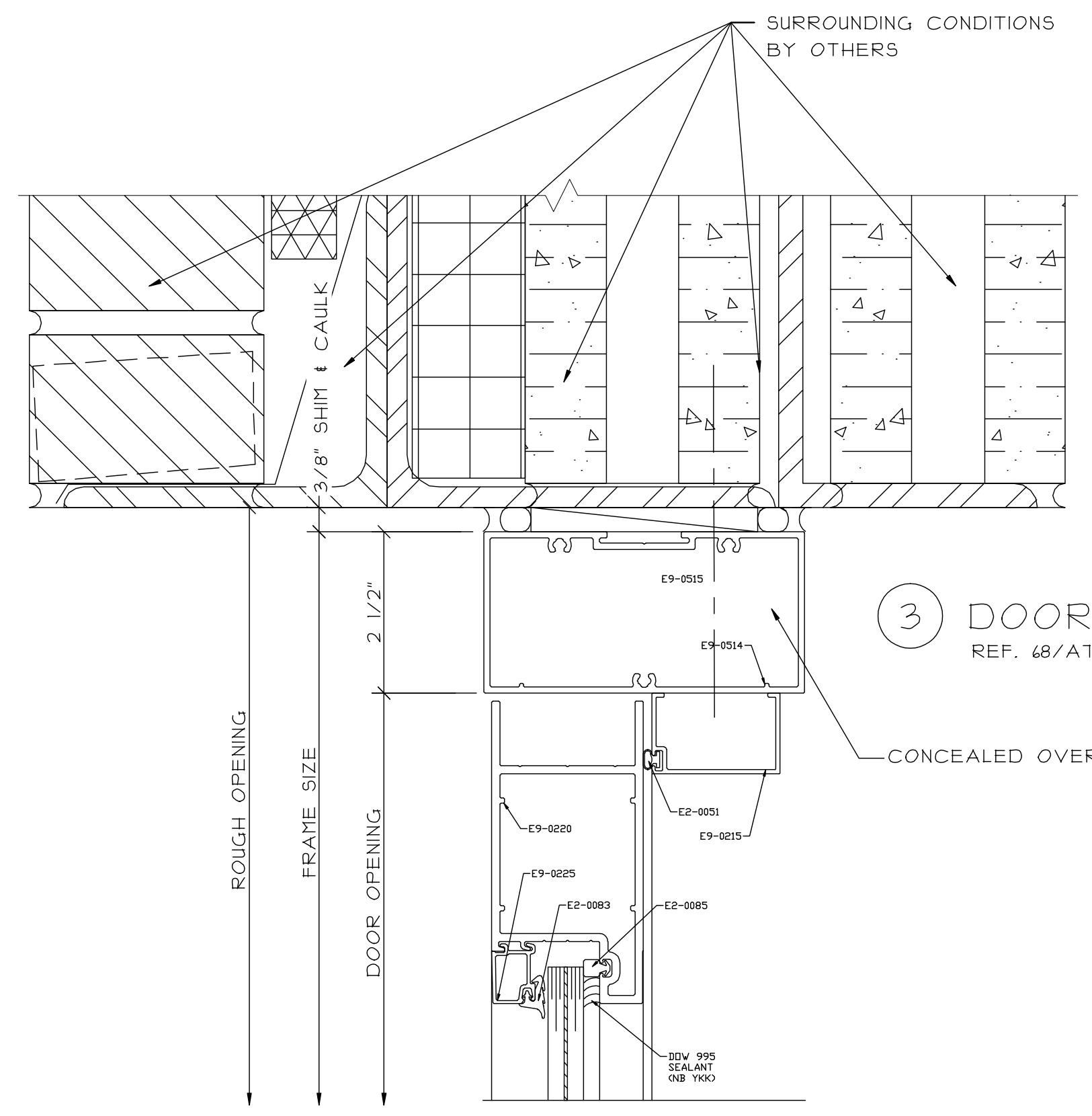
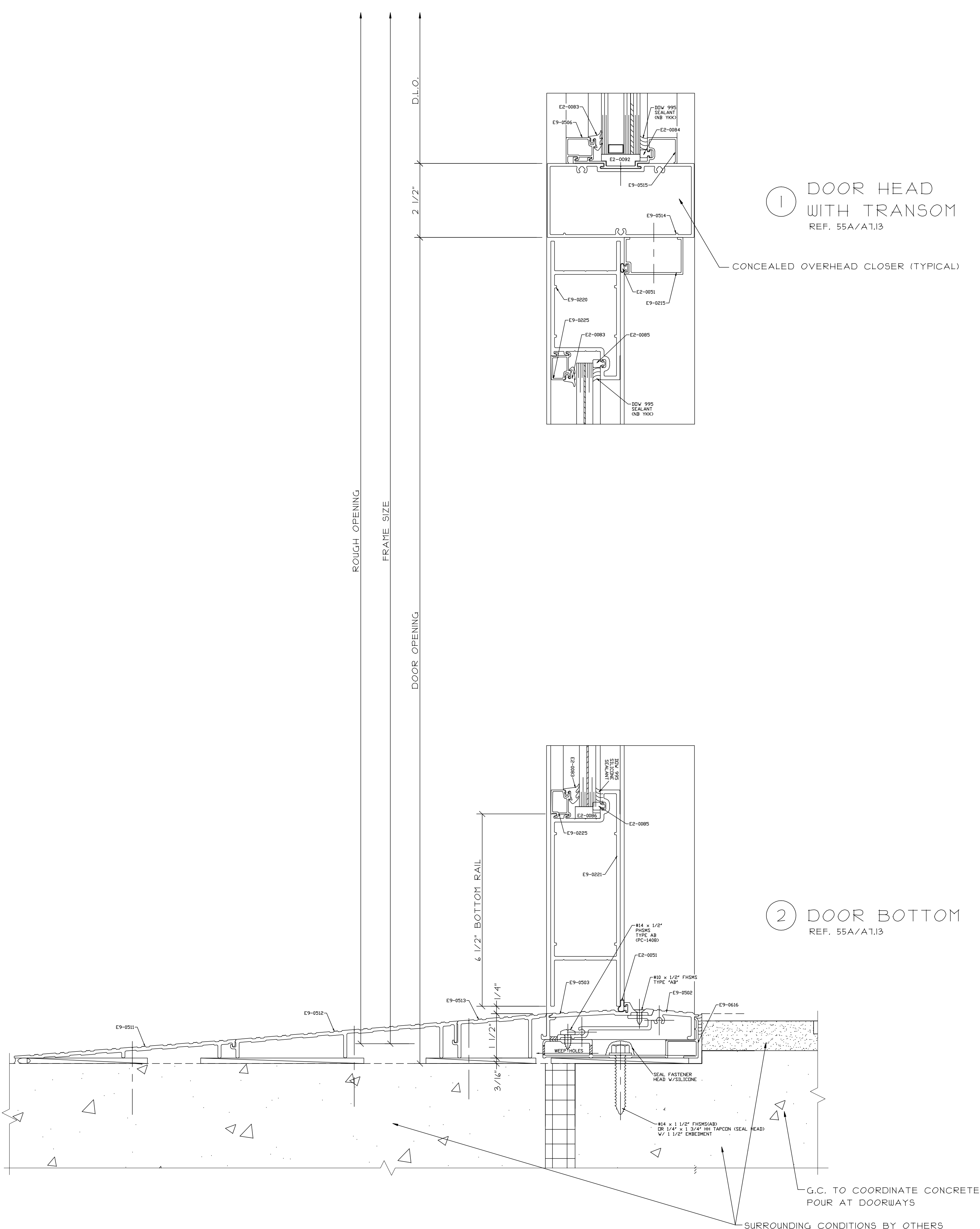
REVISIONS	DATE

GLAZING CONTRACTOR:
 SAMPLE SAMPLE SAMPLE
 SAMPLE SAMPLE SAMPLE
 SAMPLE SAMPLE SAMPLE
 SAMPLE SAMPLE SAMPLE
 SAMPLE SAMPLE SAMPLE

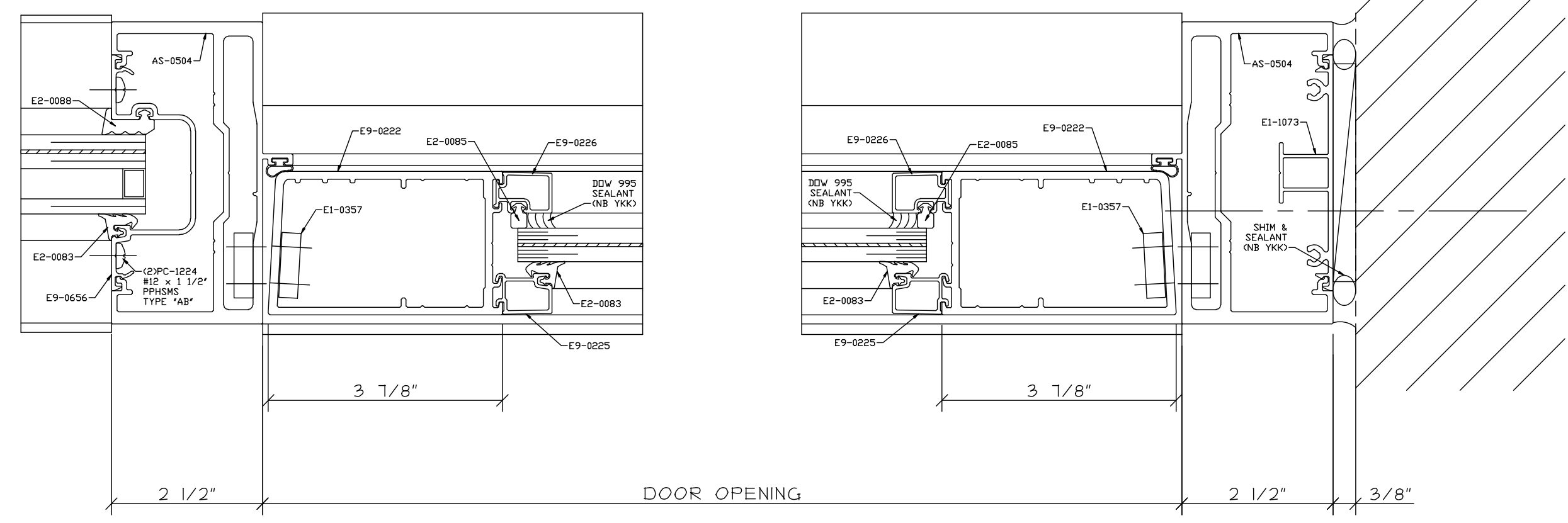
ARCHITECT:
 SAMPLE SAMPLE SAMPLE
 SAMPLE SAMPLE SAMPLE
 SAMPLE SAMPLE SAMPLE
 SAMPLE SAMPLE SAMPLE
 SAMPLE SAMPLE SAMPLE

PROJECT: SAMPLE SAMPLE SAMPLE
 LOCATION: SAMPLE SAMPLE SAMPLE

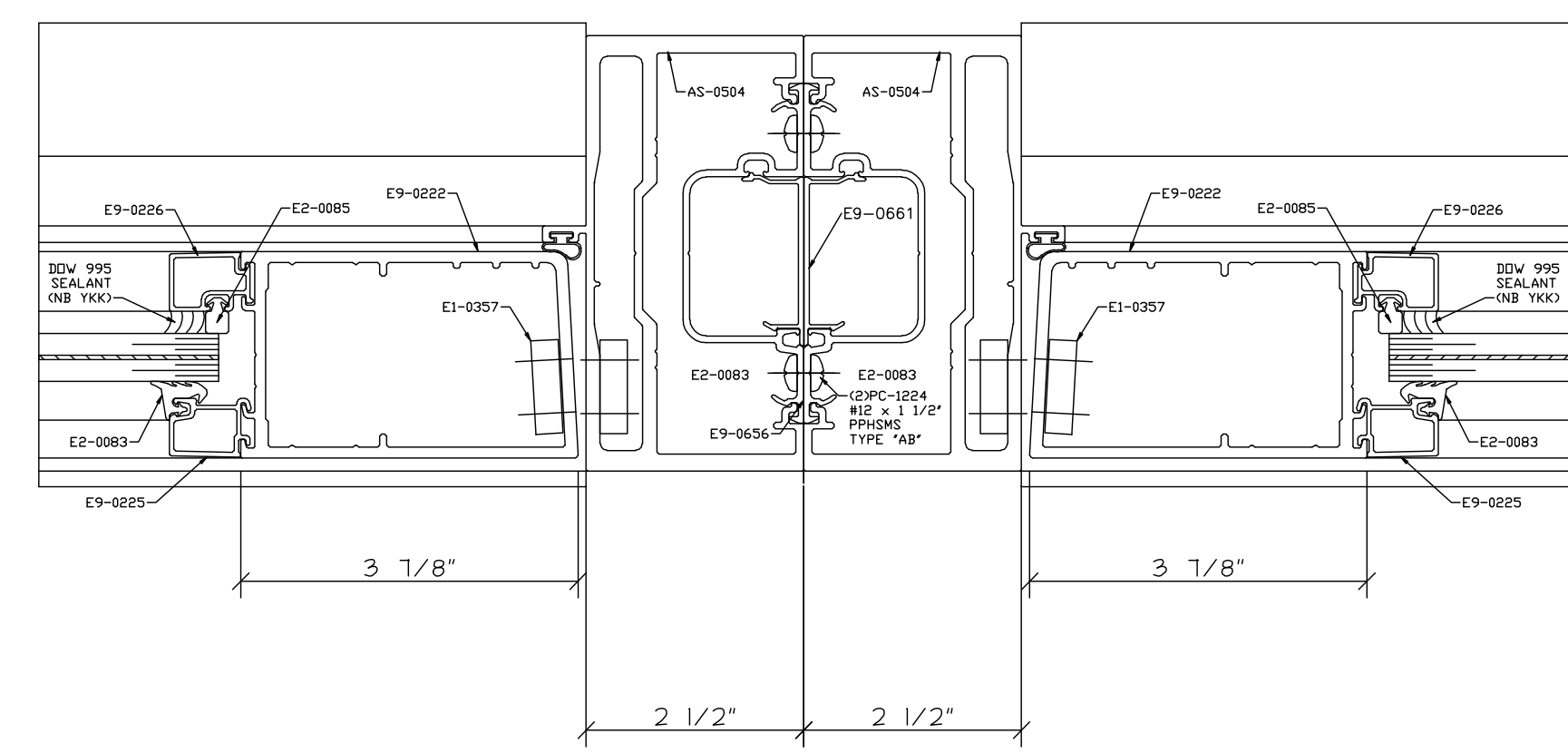
SCALE:
 1/4" = 1'-0"
 DATE:
 SAMPLE
 PAGE:
 26 of 44



4 DOOR JAMB WITH SIDELITE 5 DOOR JAMB



6 DOUBLE DOOR JAMB



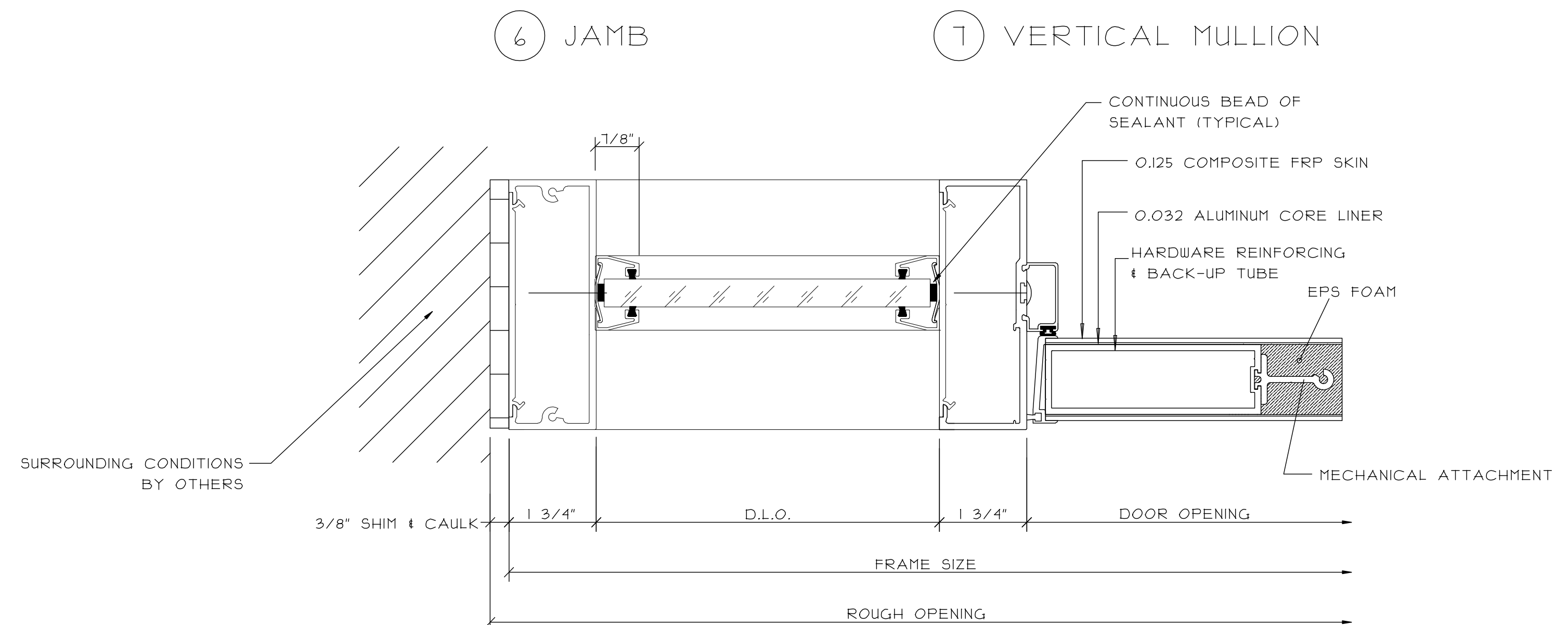
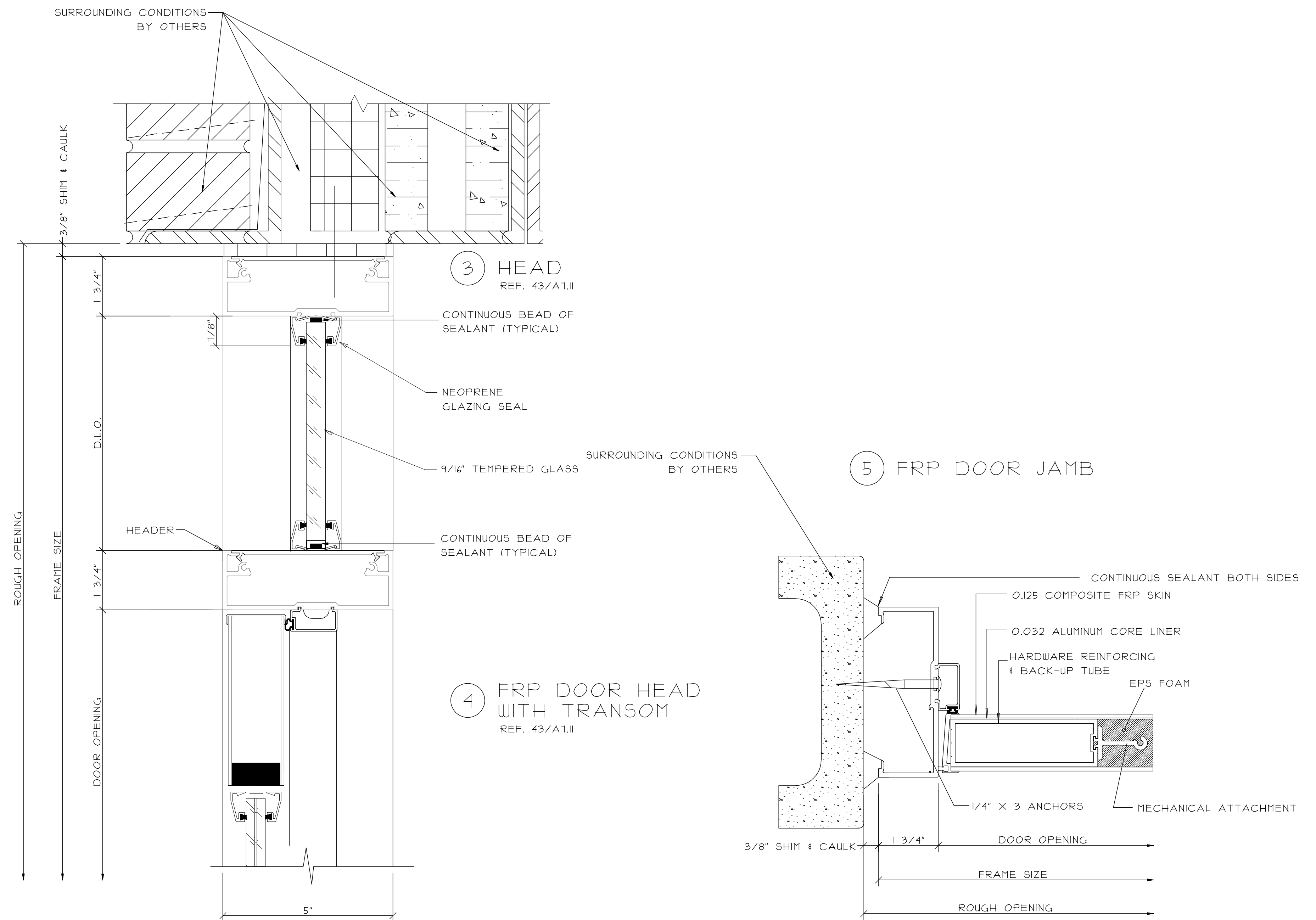
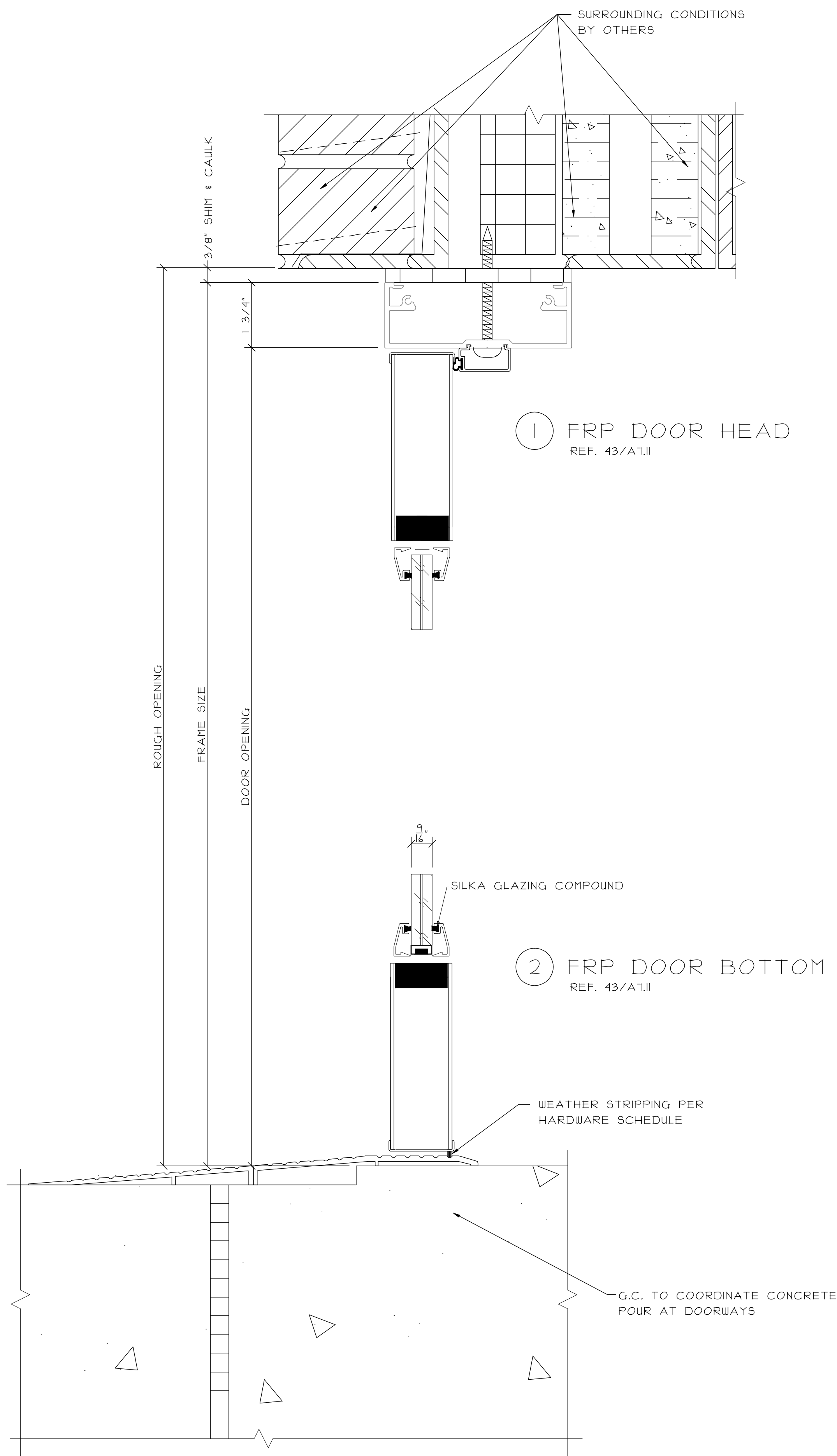
REVISIONS	DATE

GLAZING CONTRACTOR:
SAMPLE SAMPLE SAMPLE
SAMPLE SAMPLE SAMPLE
SAMPLE SAMPLE SAMPLE
SAMPLE SAMPLE SAMPLE
SAMPLE SAMPLE SAMPLE

ARCHITECT:
SAMPLE SAMPLE SAMPLE
SAMPLE SAMPLE SAMPLE
SAMPLE SAMPLE SAMPLE
SAMPLE SAMPLE SAMPLE
SAMPLE SAMPLE SAMPLE

PROJECT:	LOCATION:
SAMPLE SAMPLE SAMPLE	SAMPLE SAMPLE SAMPLE
SAMPLE SAMPLE SAMPLE	SAMPLE SAMPLE SAMPLE

SCALE: 6" = 1'-0"
DATE: SAMPLE
PAGE: 21 of 44



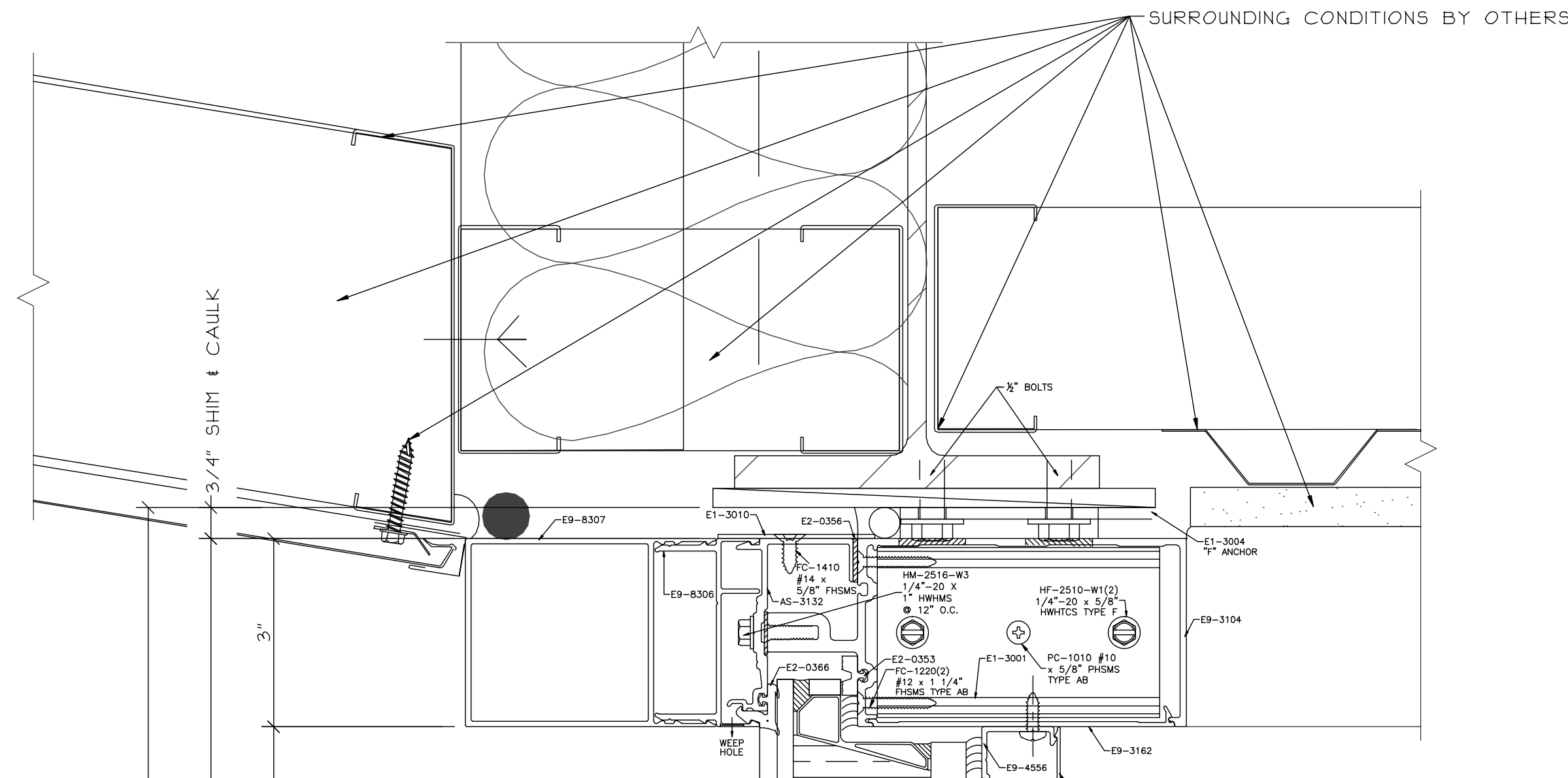
REVISIONS	DATE

GLAZING CONTRACTOR:
SAMPLE
SAMPLE
SAMPLE
SAMPLE
SAMPLE
SAMPLE

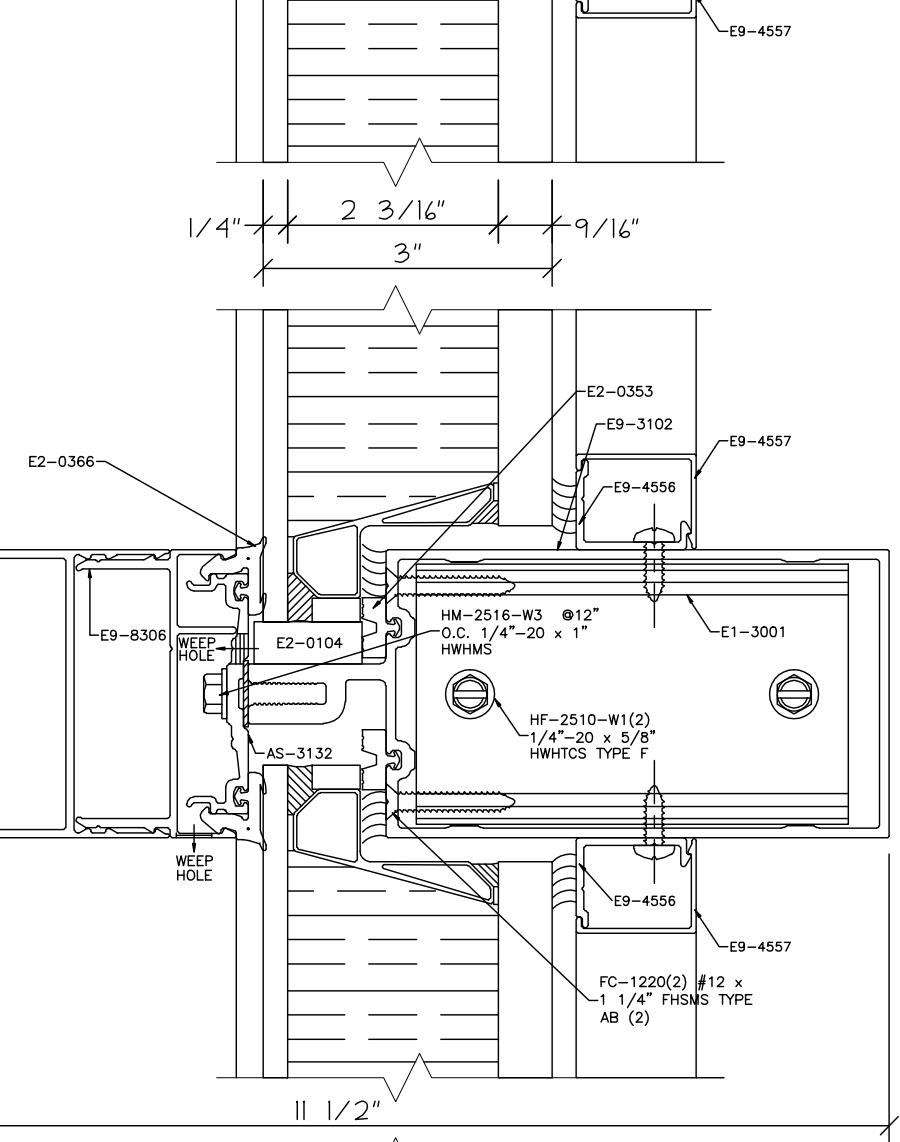
ARCHITECT:
SAMPLE
SAMPLE
SAMPLE
SAMPLE
SAMPLE
SAMPLE

PROJECT:	LOCATION:
SAMPLE SAMPLE SAMPLE	SAMPLE SAMPLE SAMPLE

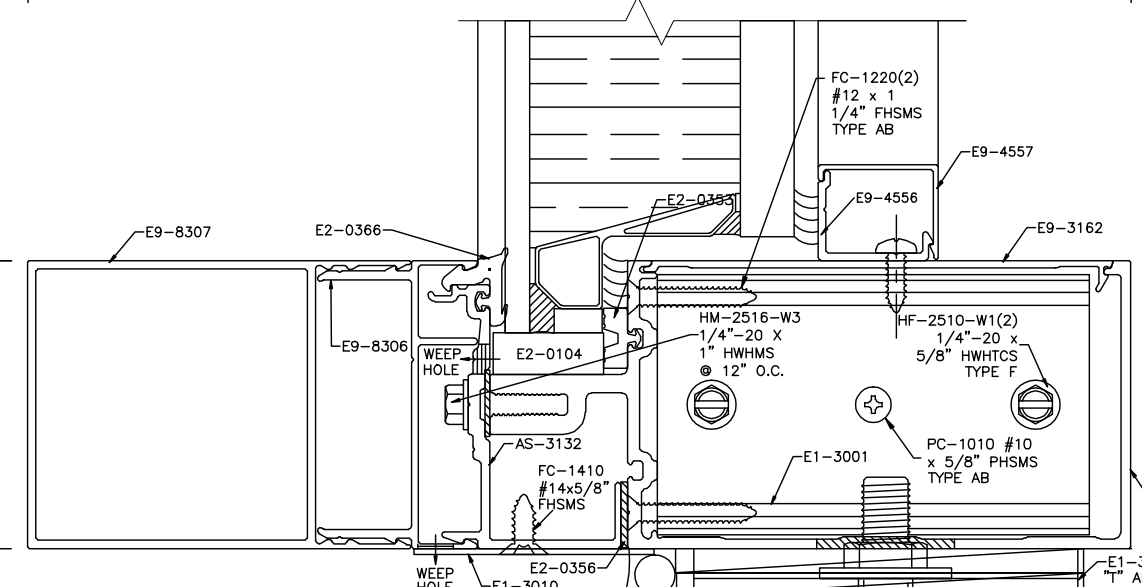
SCALE: 6" = 1'-0"
DATE: SAMPLE
PAGE: 29 of 44



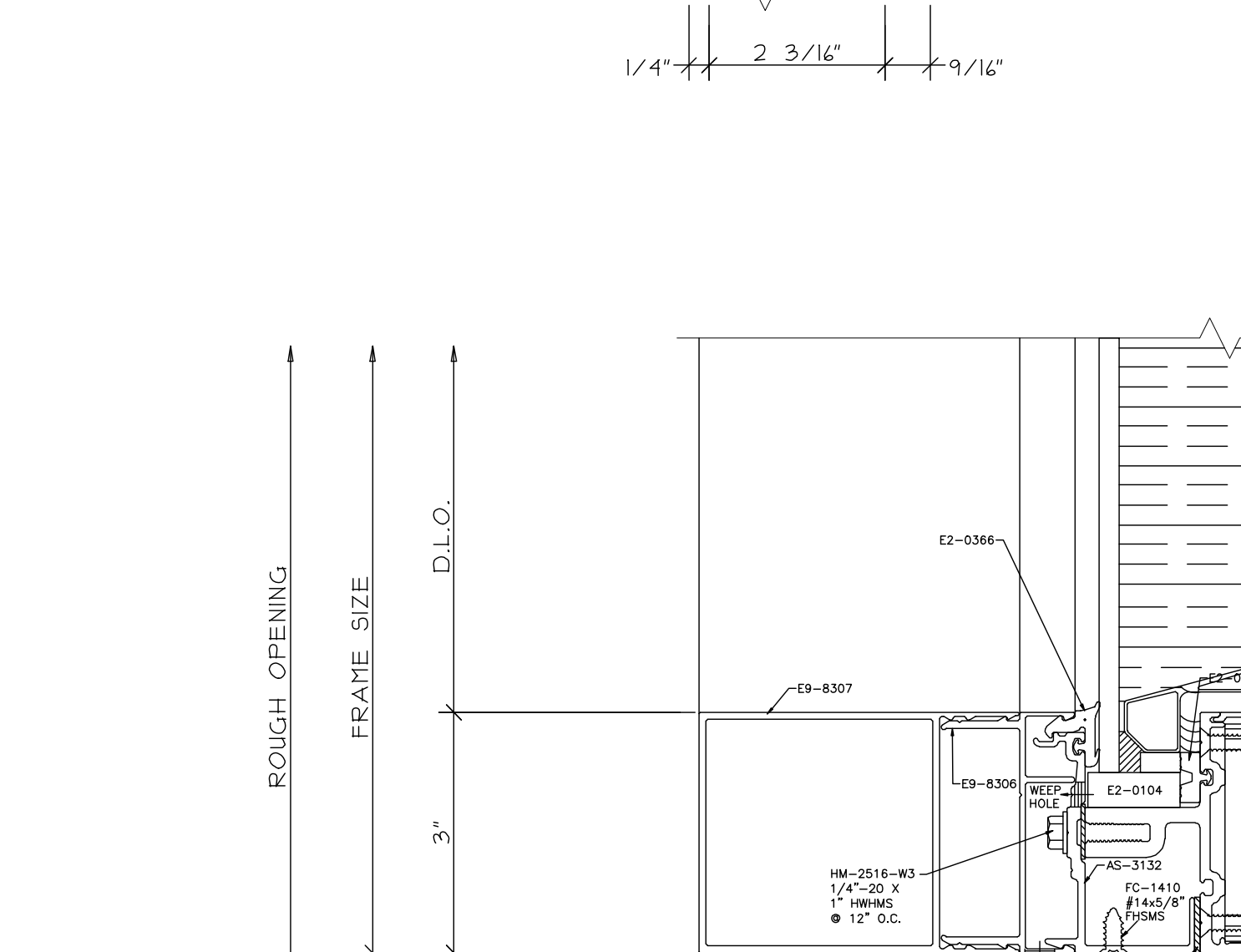
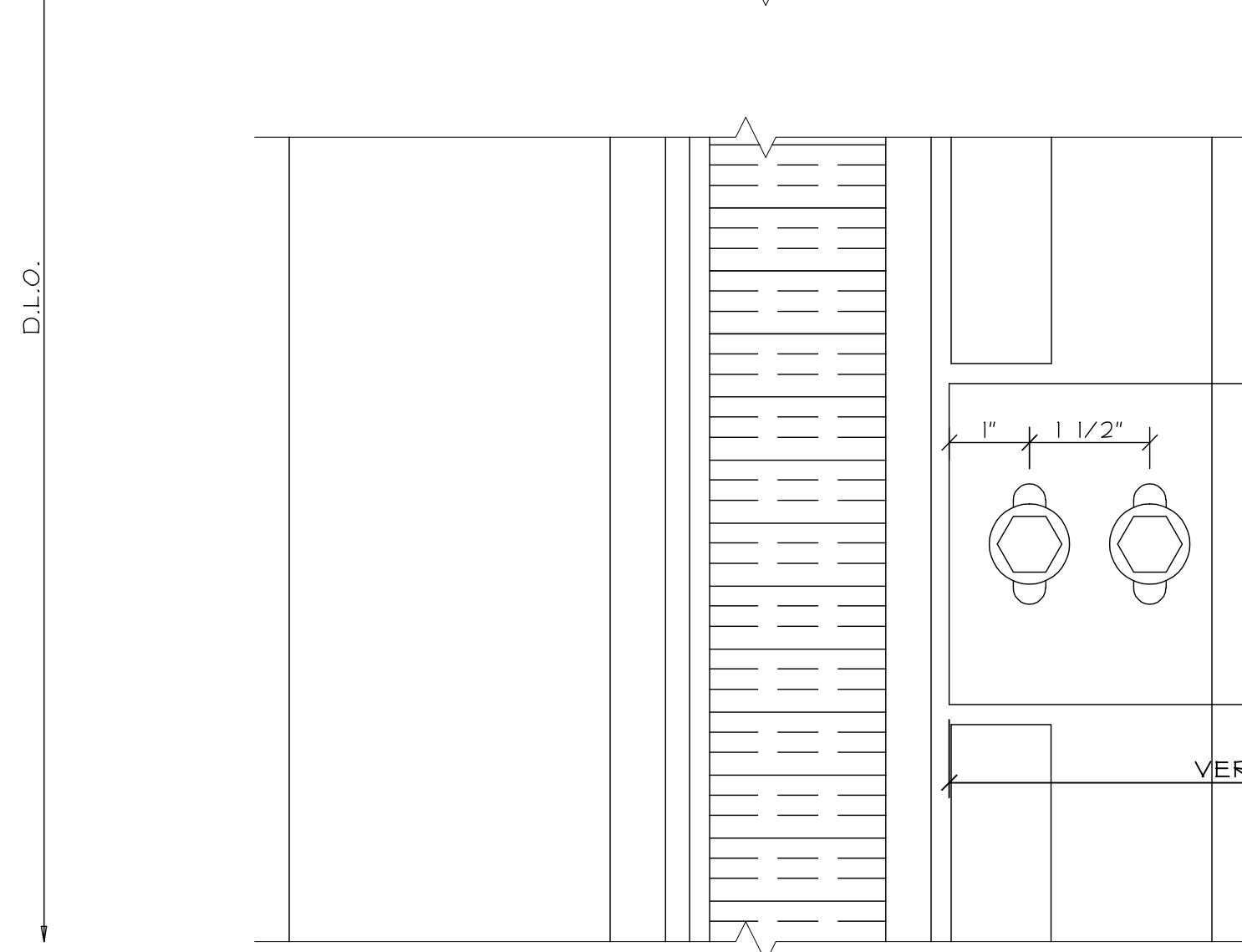
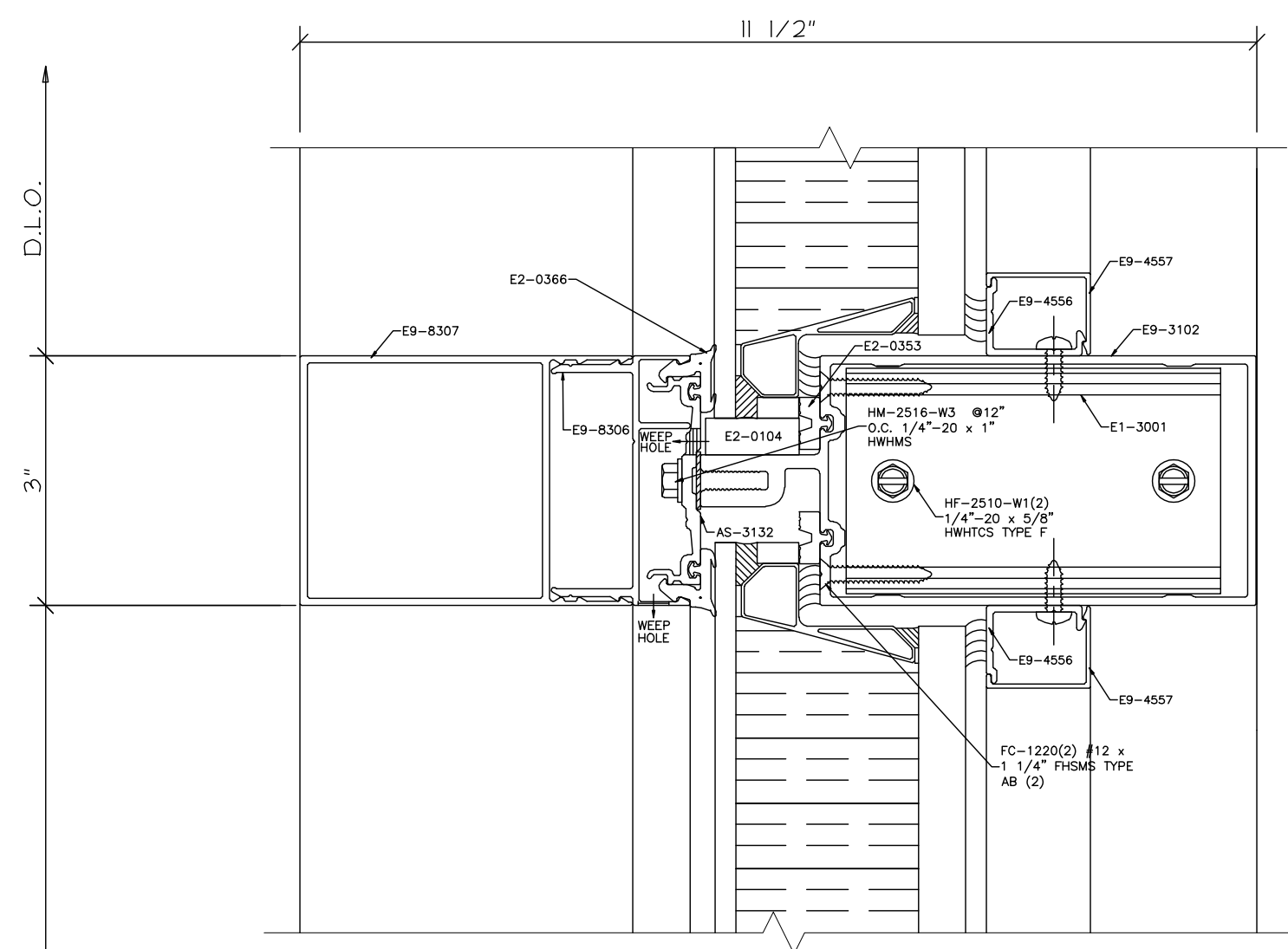
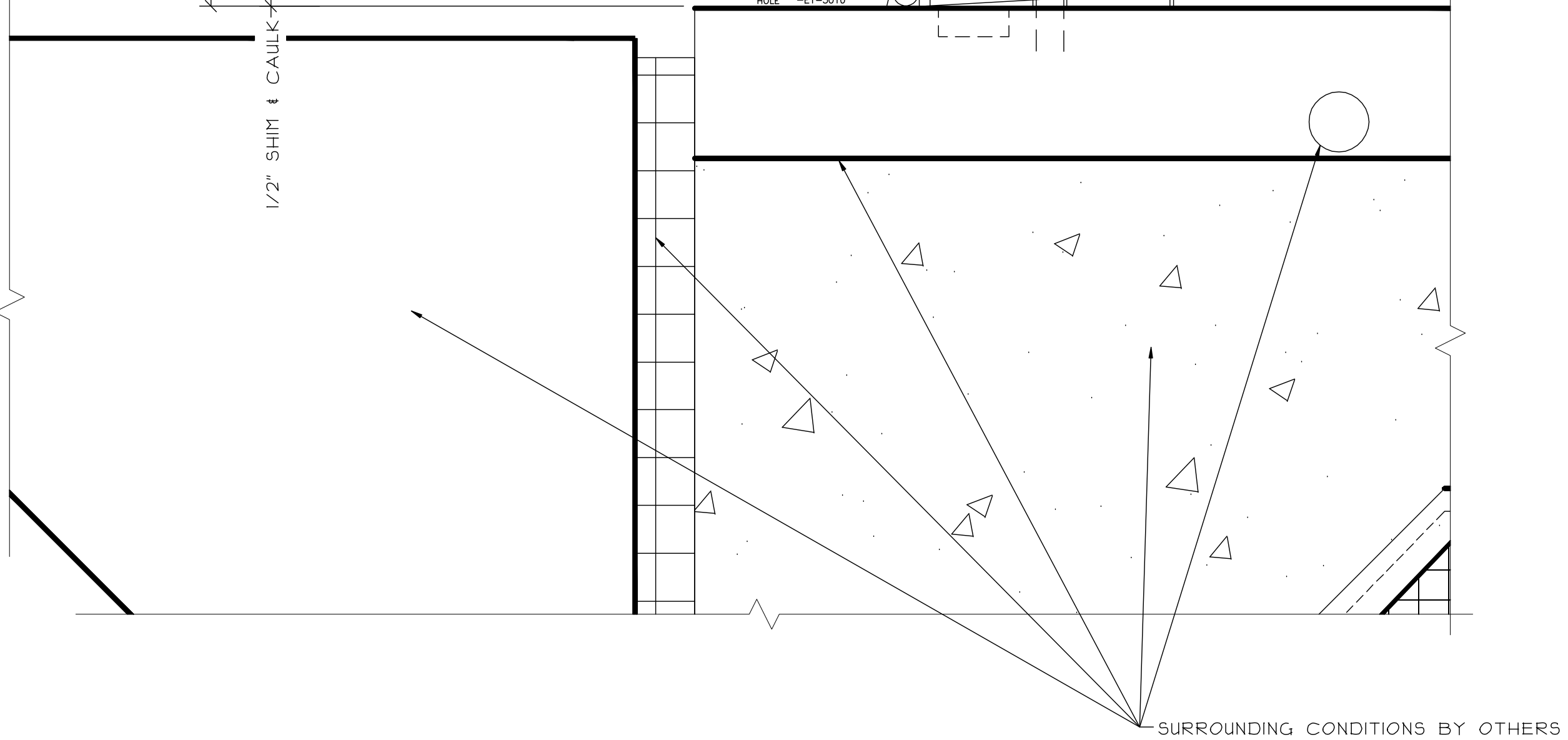
1 CURTAIN WALL HEAD
REF. 58A/A1.5



2 CURTAIN WALL HORIZONTAL MULLION
REF. 58A/A1.5

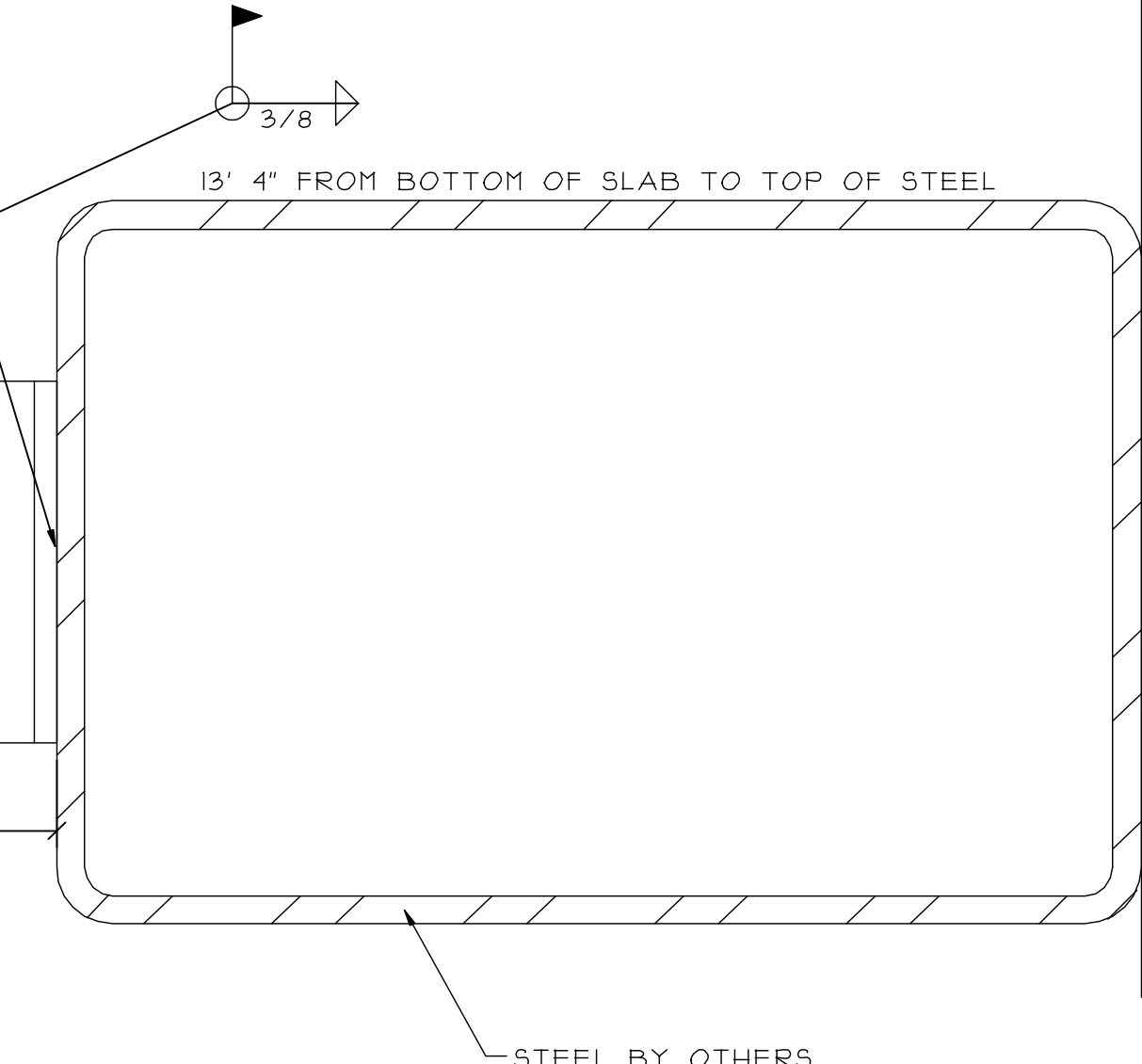


3 CURTAIN WALL SILL
REF. 3A/A1.01

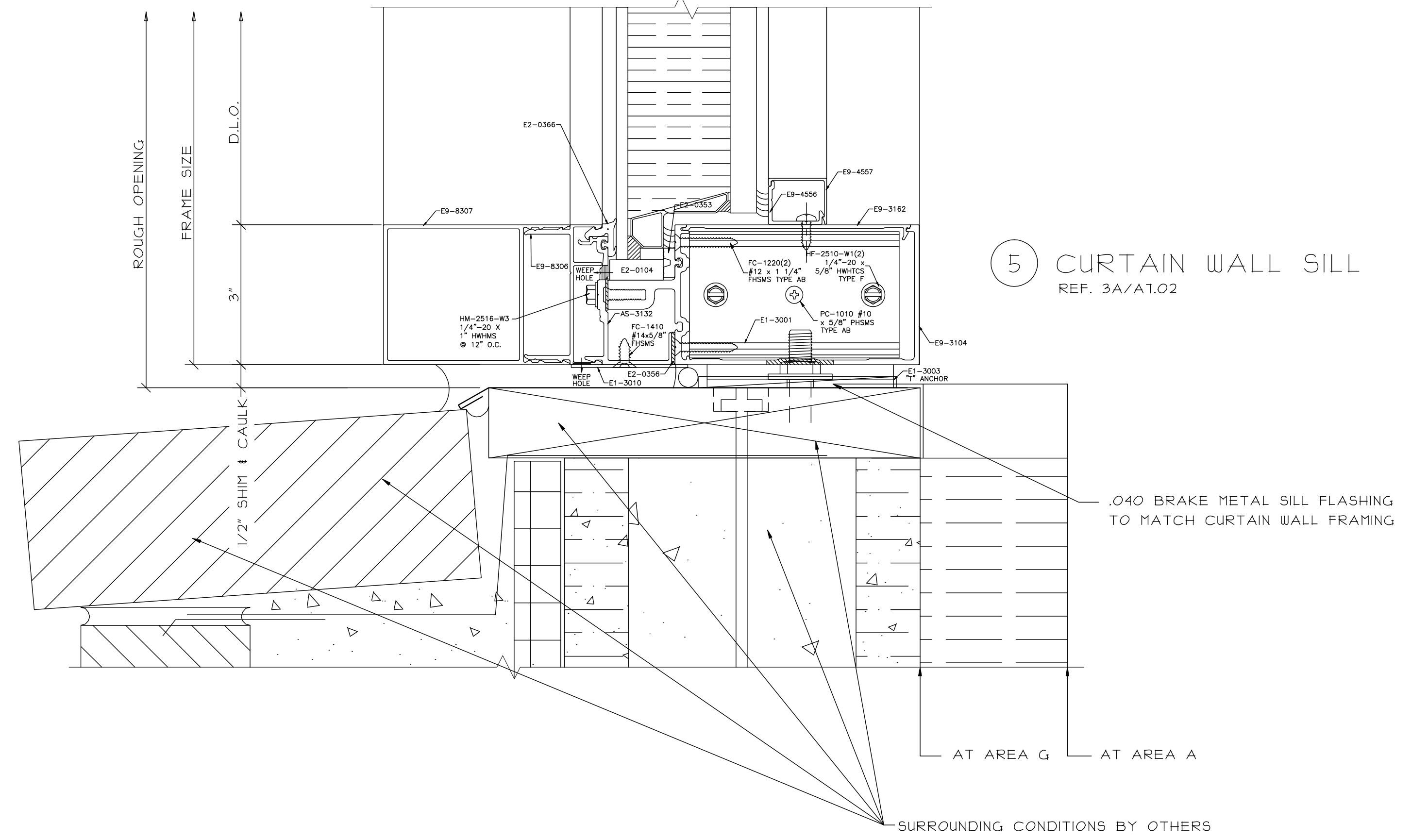


4 WIND LOAD CLIP

4"XVERIFYX4"X1/4" STEEL WIND LOAD CLIP WITH (2) 1/4"X1-1/4" SLOTS AND 5/8" DIAMETER STAINLESS STEEL BOLTS, NUTS, AND LOCK WASHERS. ISOLATE DISSIMILAR MATERIALS - PROVIDE (2) PER INTERMEDIATE VERTICAL AND (1) PER JAMB - TYPICAL.



5 CURTAIN WALL SILL
REF. 3A/A1.02



REVISIONS	DATE

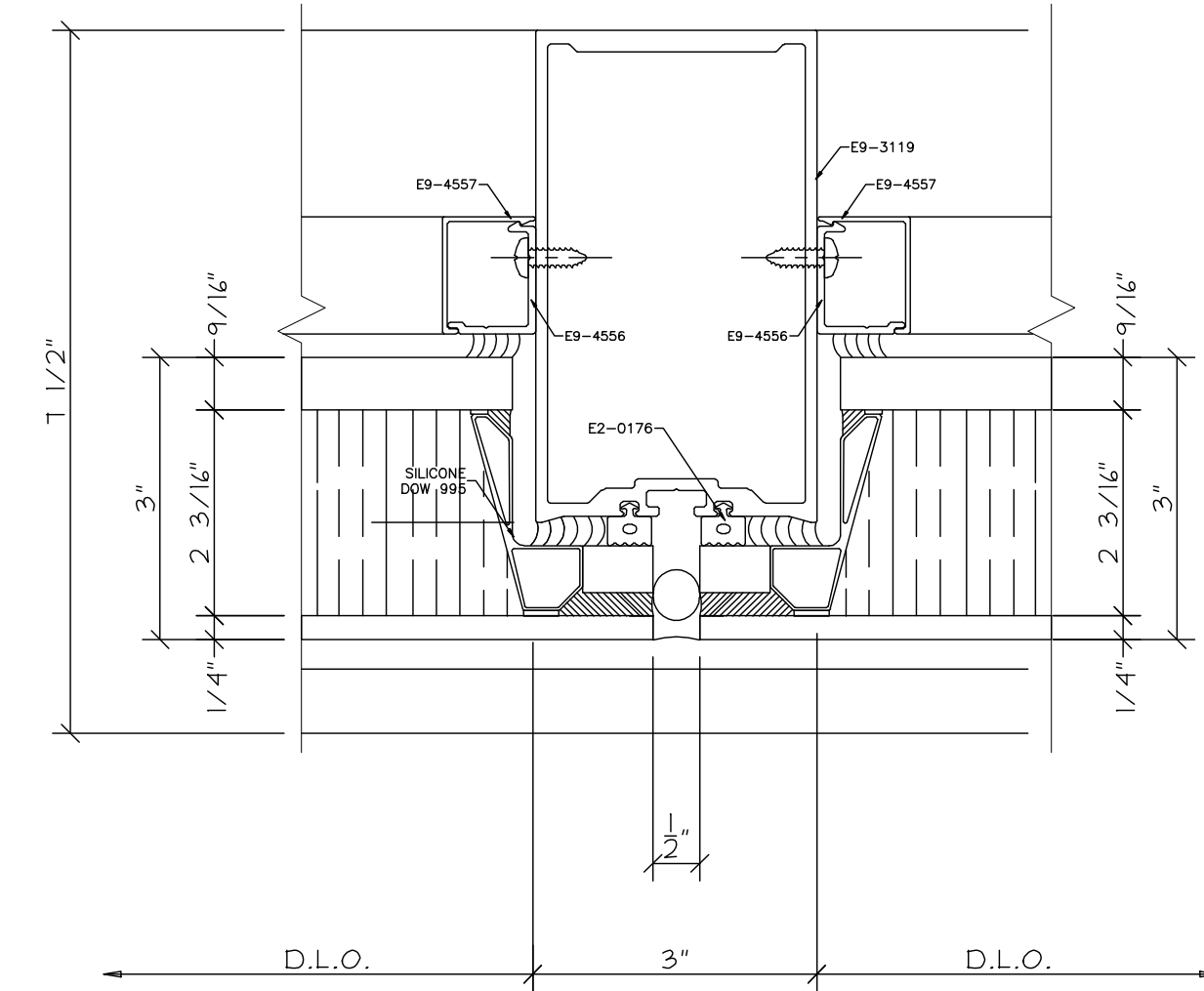
GLAZING CONTRACTOR:
SAMPLE SAMPLE SAMPLE
SAMPLE SAMPLE SAMPLE
SAMPLE SAMPLE SAMPLE
SAMPLE SAMPLE SAMPLE
SAMPLE SAMPLE SAMPLE

ARCHITECT:
SAMPLE SAMPLE SAMPLE
SAMPLE SAMPLE SAMPLE
SAMPLE SAMPLE SAMPLE
SAMPLE SAMPLE SAMPLE
SAMPLE SAMPLE SAMPLE

PROJECT:
SAMPLE SAMPLE SAMPLE

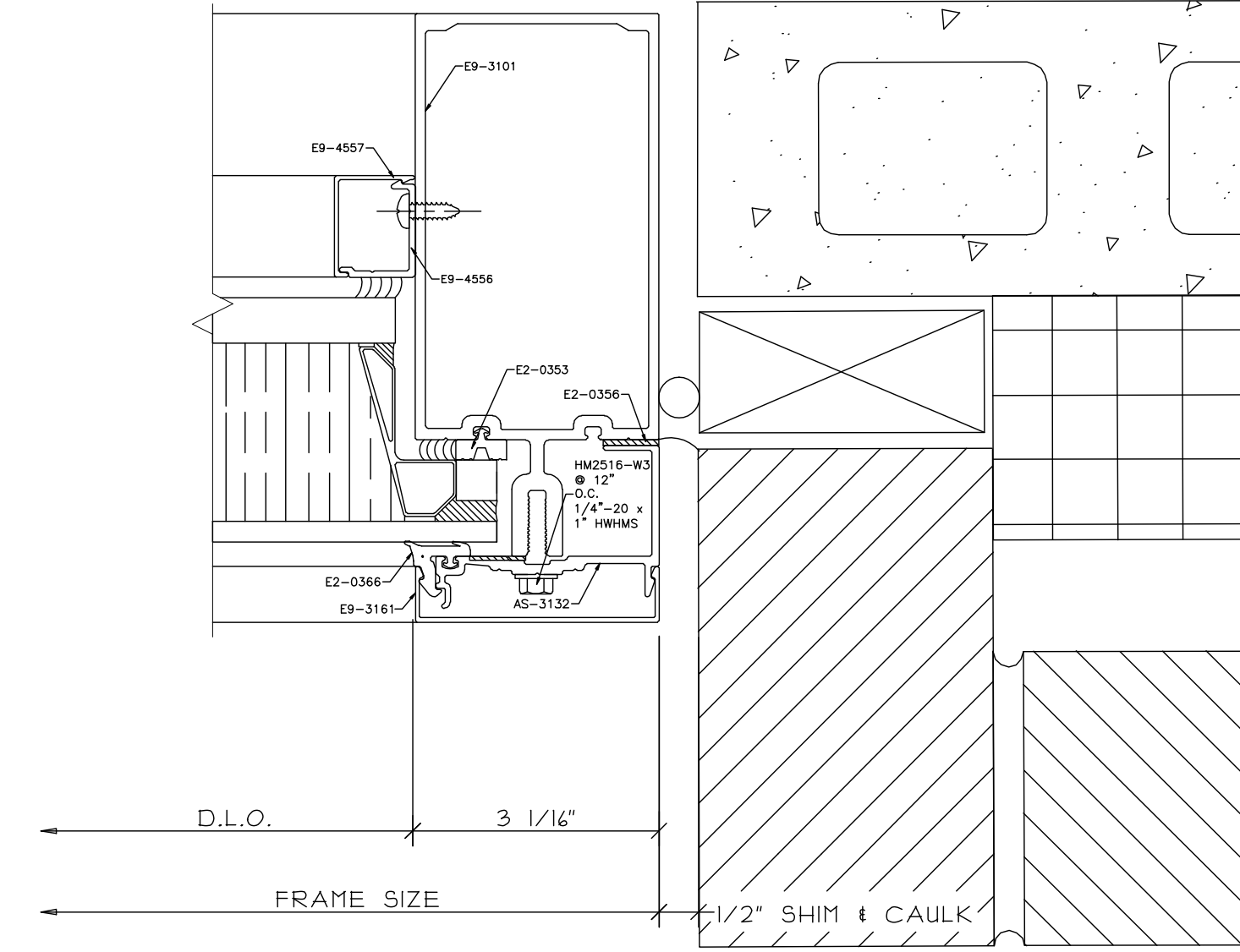
LOCATION:
SAMPLE SAMPLE SAMPLE

1 VERTICAL SSG MULLION



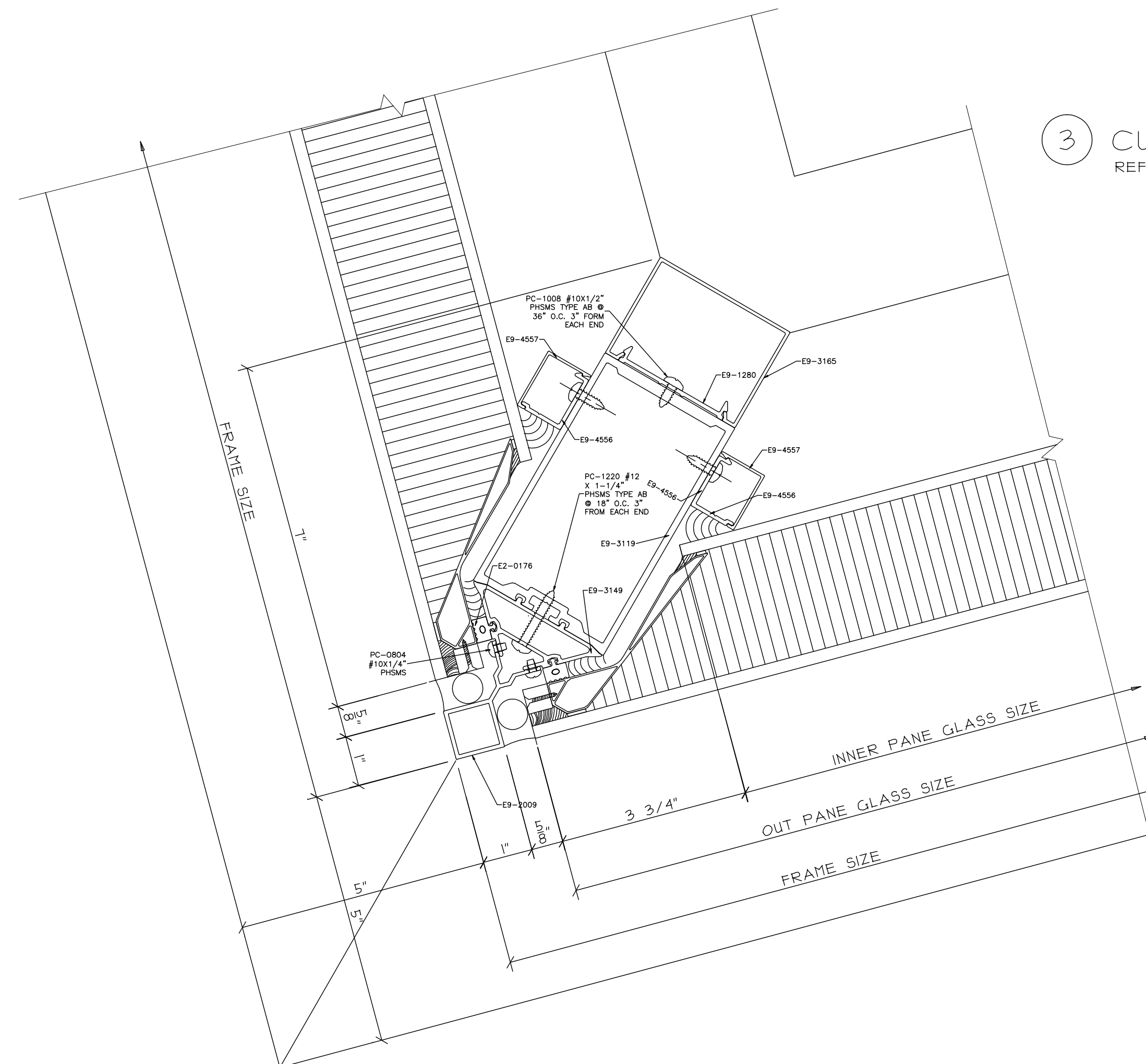
2 CURTAIN WALL JAMB

REF. 50/A3.03



3 CURTAIN WALL CORNER

REF. 41/A3.03



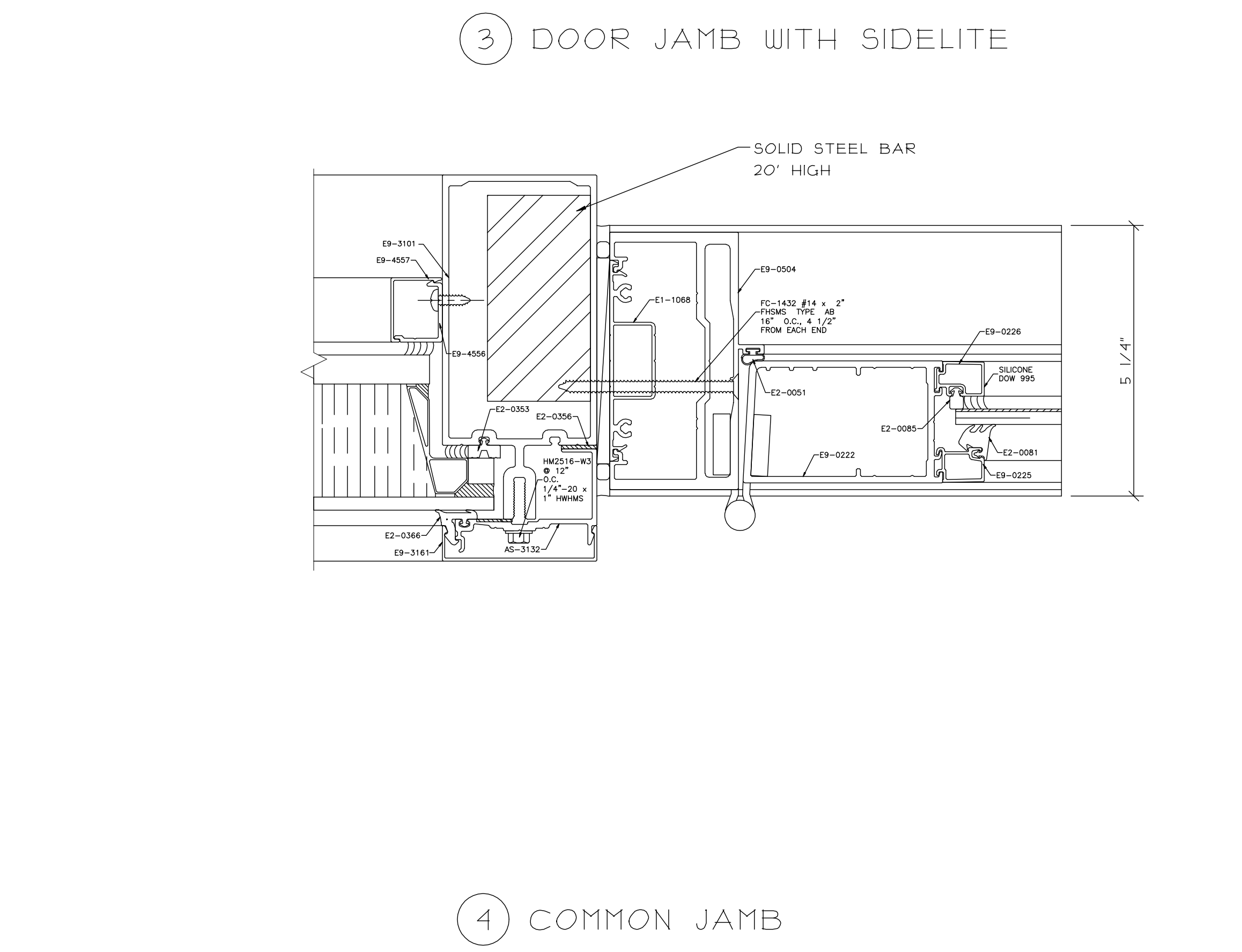
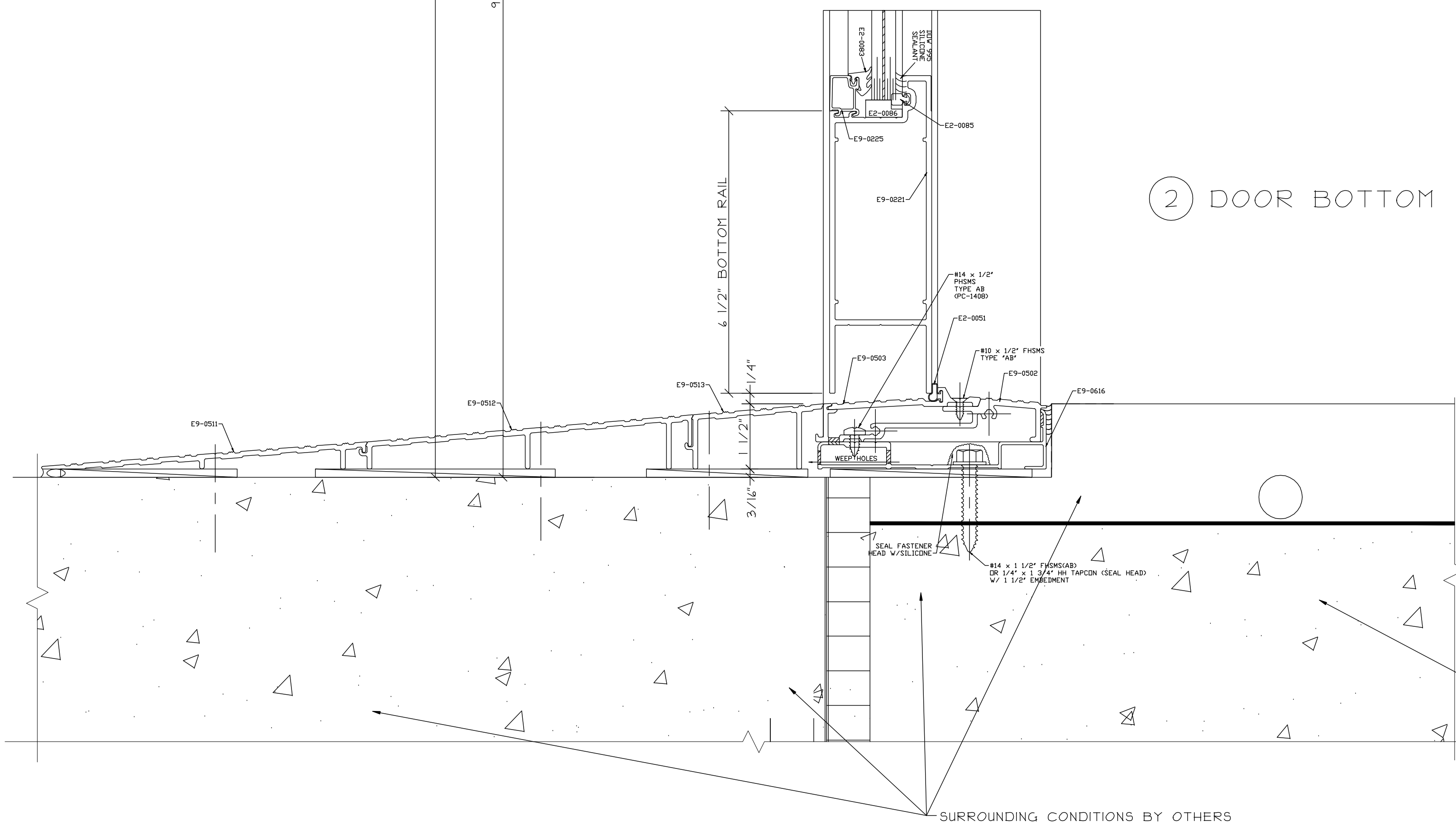
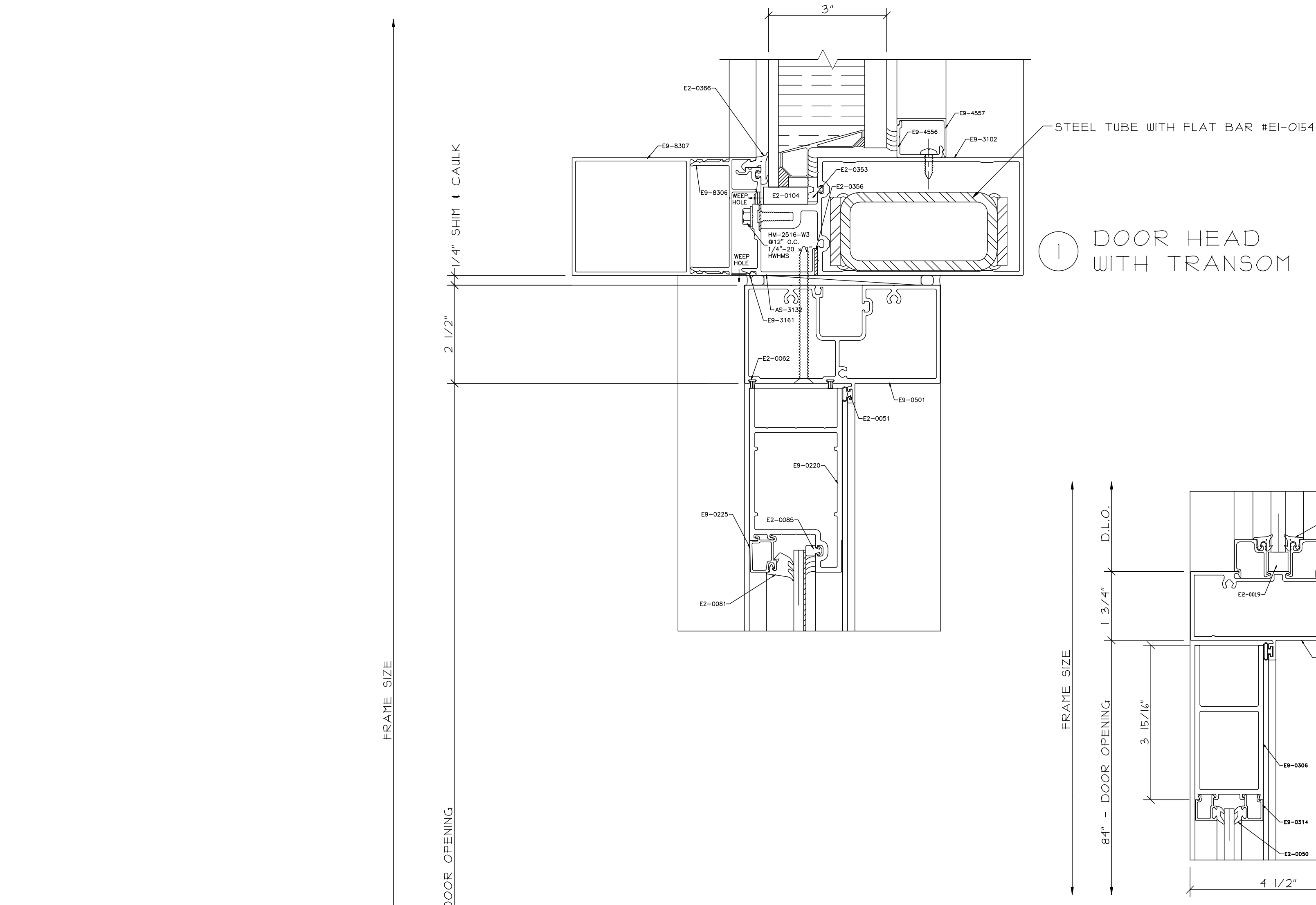
REVISIONS	DATE

GLAZING CONTRACTOR:
SAMPLE SAMPLE SAMPLE
SAMPLE SAMPLE SAMPLE
SAMPLE SAMPLE SAMPLE
SAMPLE SAMPLE SAMPLE
SAMPLE SAMPLE SAMPLE

ARCHITECT:
SAMPLE SAMPLE SAMPLE
SAMPLE SAMPLE SAMPLE
SAMPLE SAMPLE SAMPLE
SAMPLE SAMPLE SAMPLE
SAMPLE SAMPLE SAMPLE

PROJECT:
SAMPLE SAMPLE SAMPLE

LOCATION:
SAMPLE SAMPLE SAMPLE



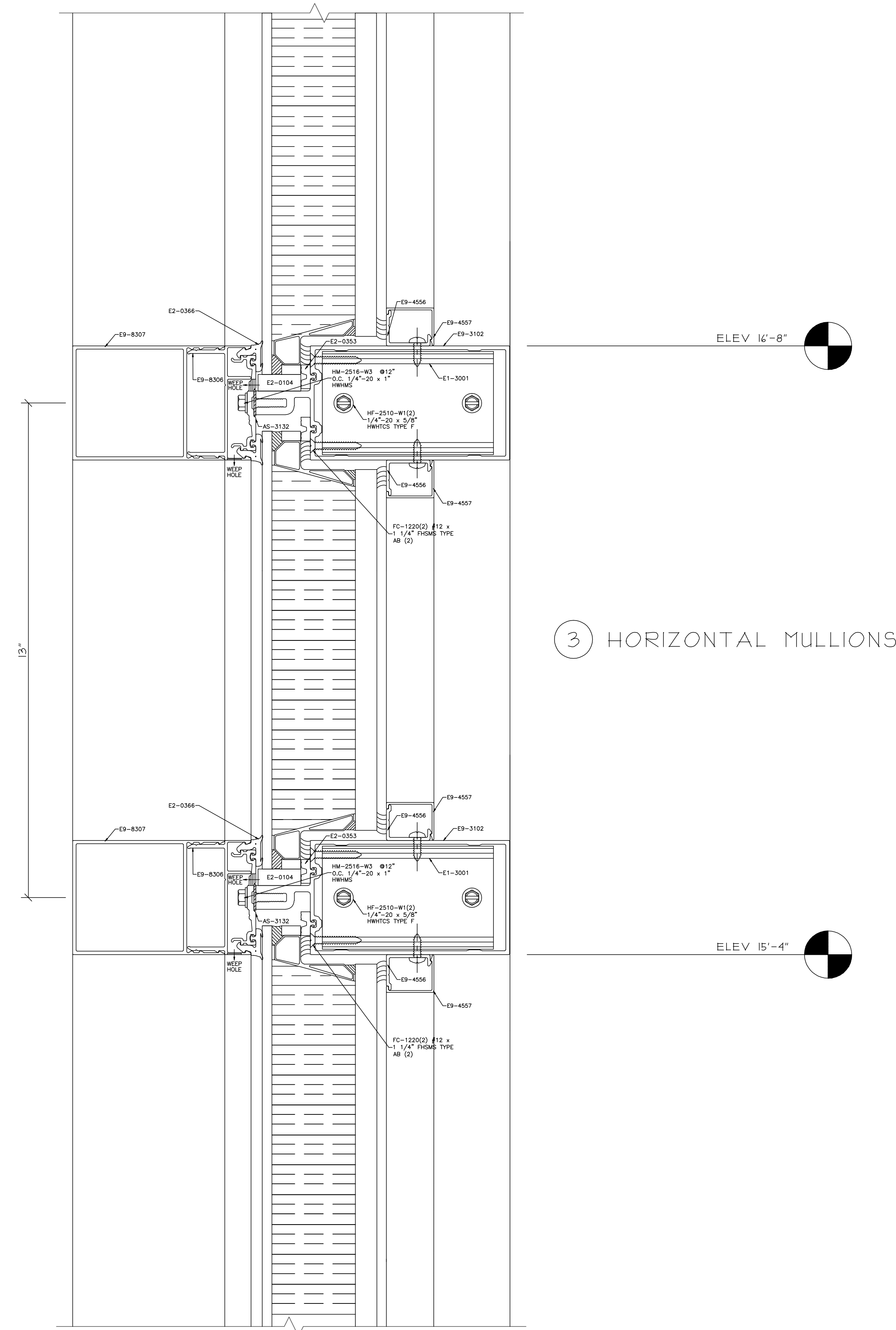
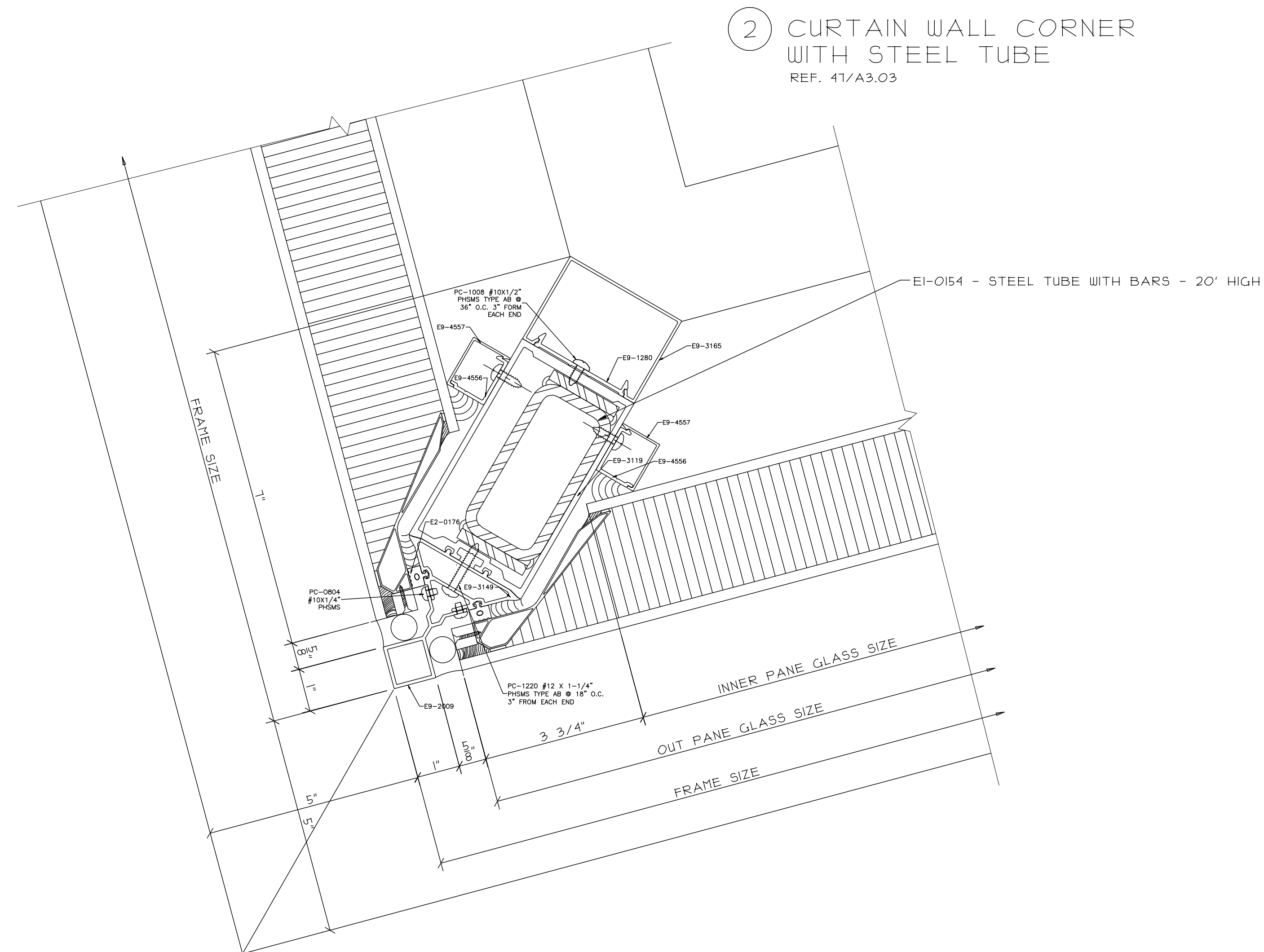
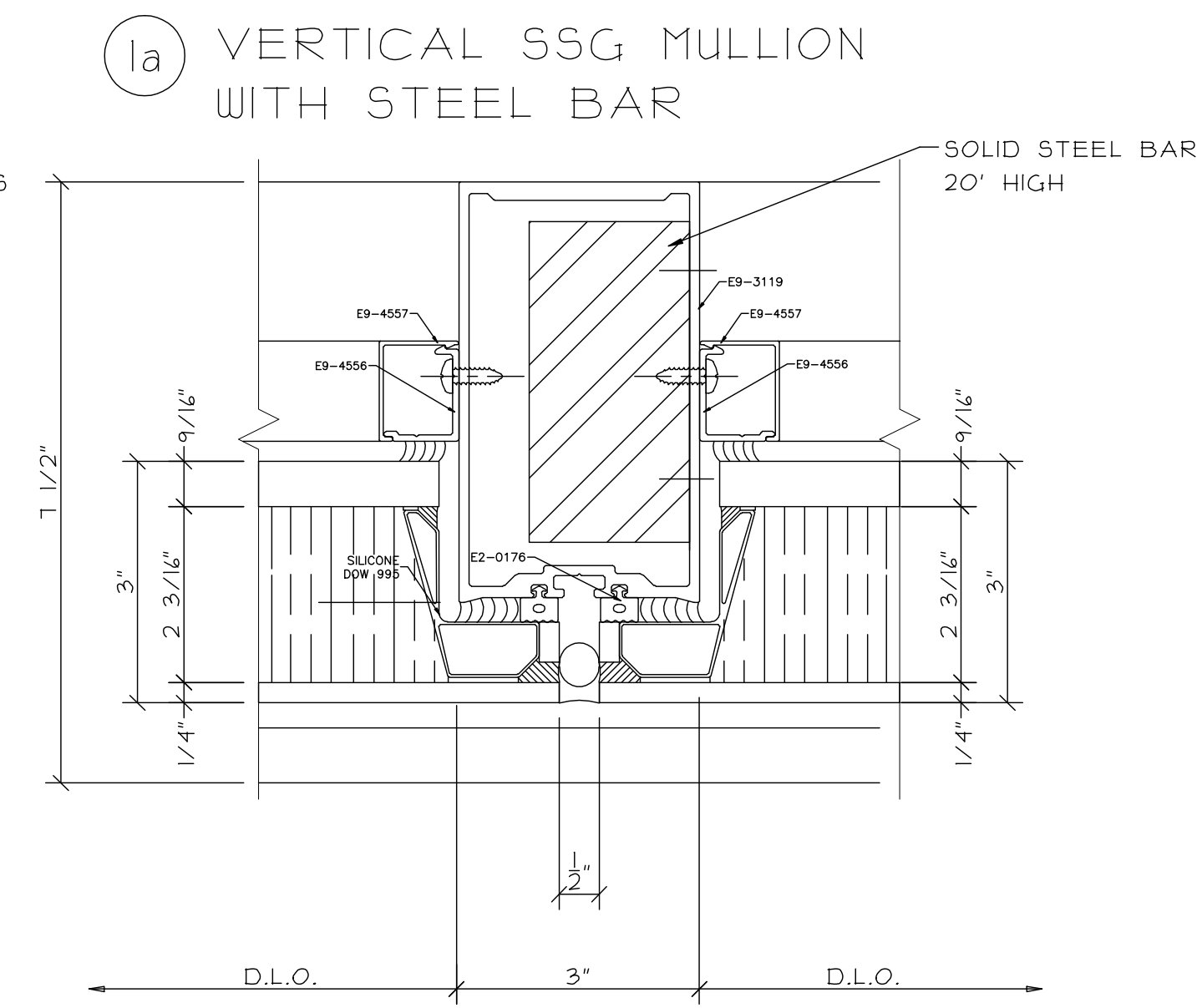
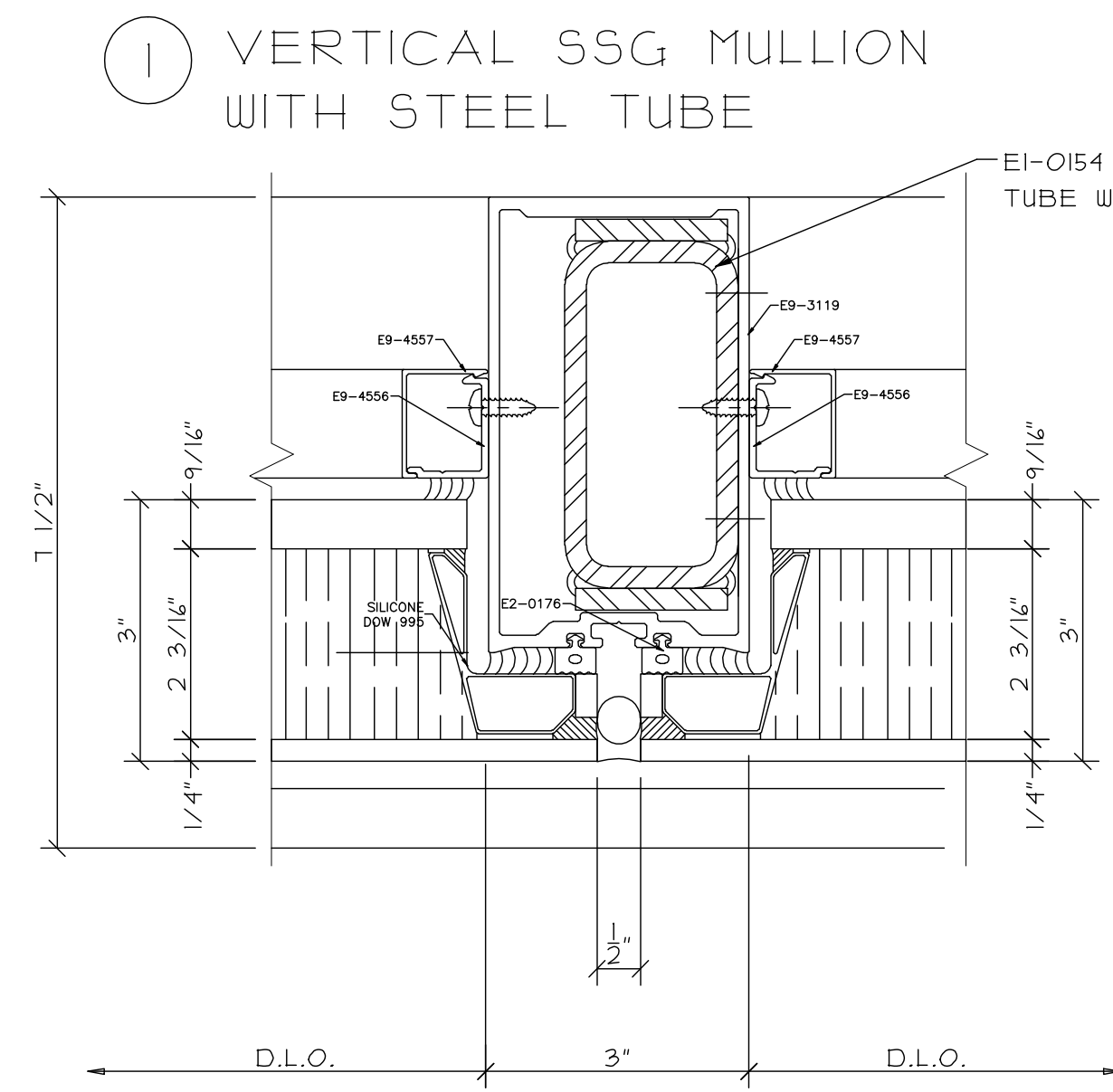
REVISIONS	DATE

GLAZING CONTRACTOR:	SAMPLE SAMPLE SAMPLE
	SAMPLE SAMPLE SAMPLE
	SAMPLE SAMPLE SAMPLE
	SAMPLE SAMPLE SAMPLE
	SAMPLE SAMPLE SAMPLE

ARCHITECT:	SAMPLE SAMPLE SAMPLE
	SAMPLE SAMPLE SAMPLE
	SAMPLE SAMPLE SAMPLE
	SAMPLE SAMPLE SAMPLE
	SAMPLE SAMPLE SAMPLE

PROJECT:	SAMPLE SAMPLE SAMPLE
LOCATION:	SAMPLE SAMPLE SAMPLE

SCALE:	6" = 1'-0"
DATE:	SAMPLE
PAGE:	32 of 44



REVISIONS	DATE

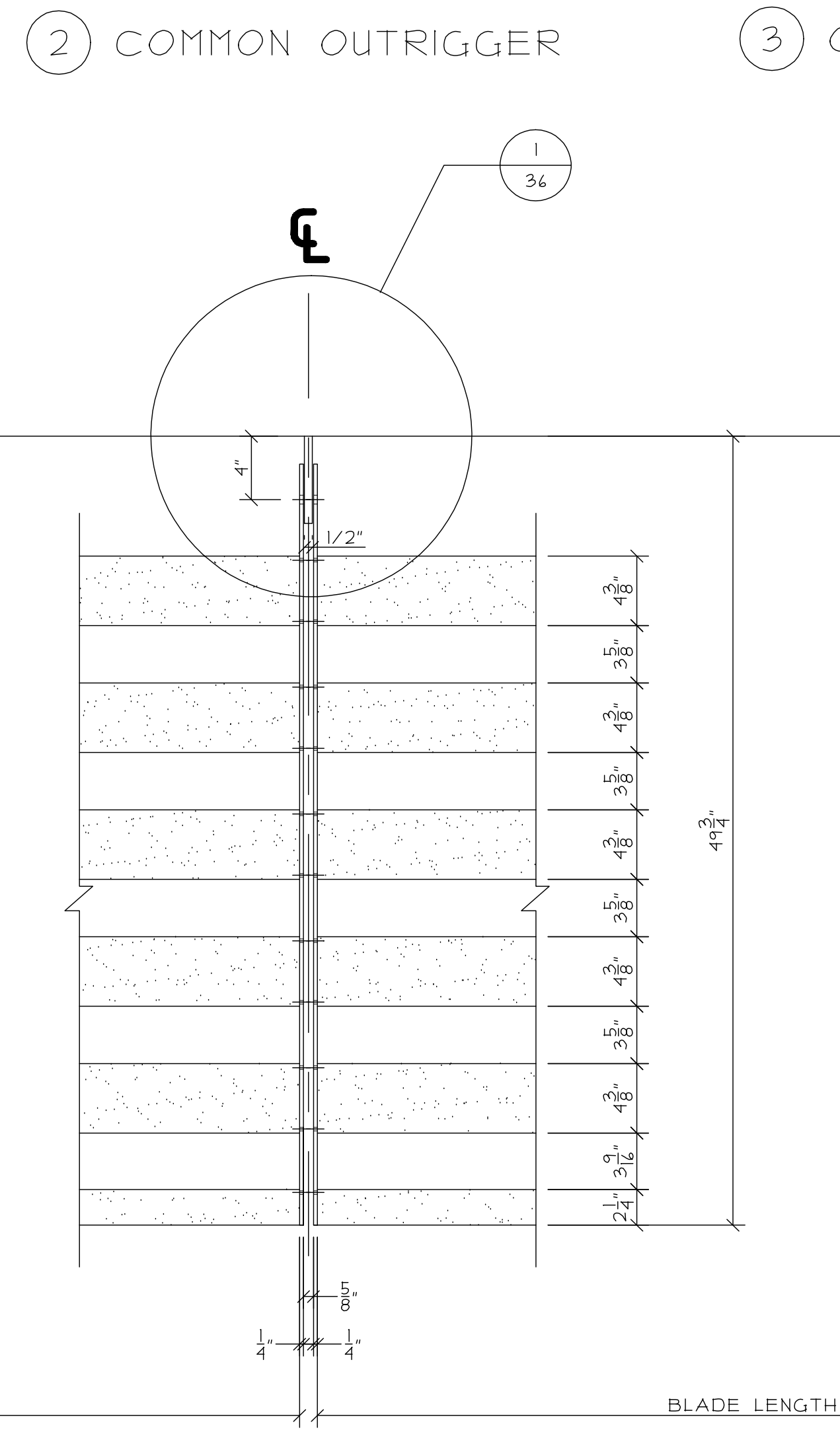
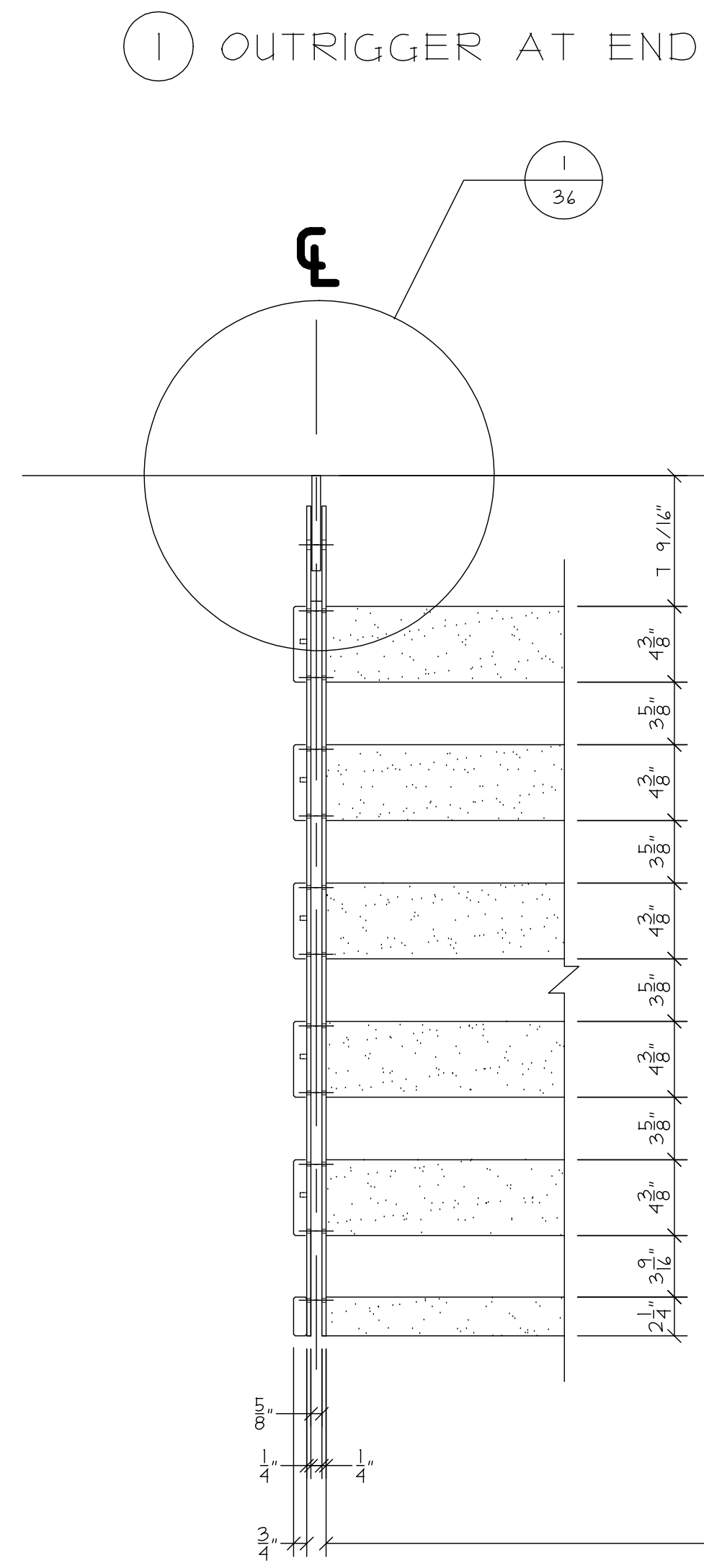
GLAZING CONTRACTOR:
SAMPLE SAMPLE SAMPLE
SAMPLE SAMPLE SAMPLE
SAMPLE SAMPLE SAMPLE
SAMPLE SAMPLE SAMPLE
SAMPLE SAMPLE SAMPLE
SAMPLE SAMPLE SAMPLE

ARCHITECT:
SAMPLE SAMPLE SAMPLE
SAMPLE SAMPLE SAMPLE
SAMPLE SAMPLE SAMPLE
SAMPLE SAMPLE SAMPLE
SAMPLE SAMPLE SAMPLE
SAMPLE SAMPLE SAMPLE

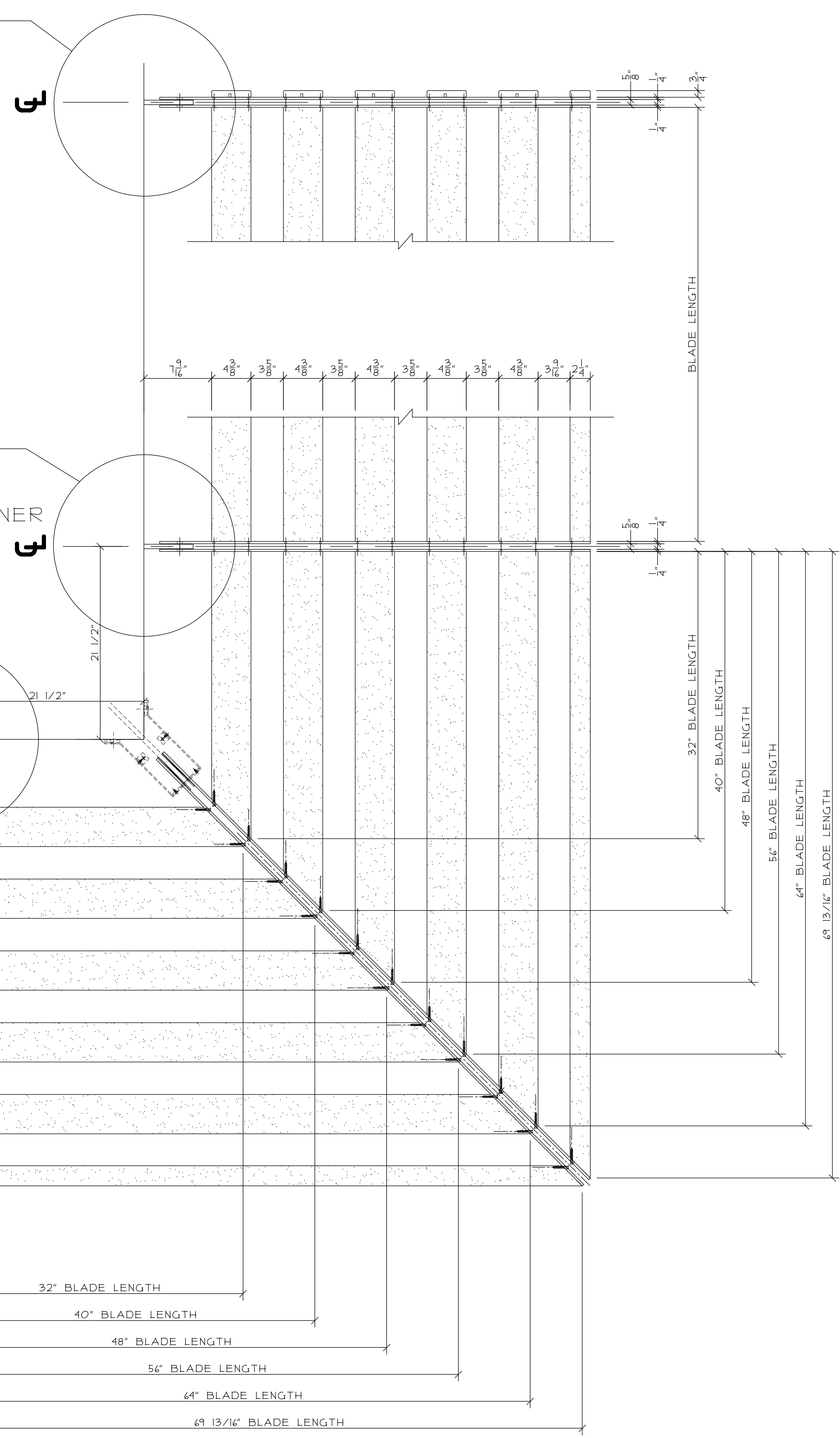
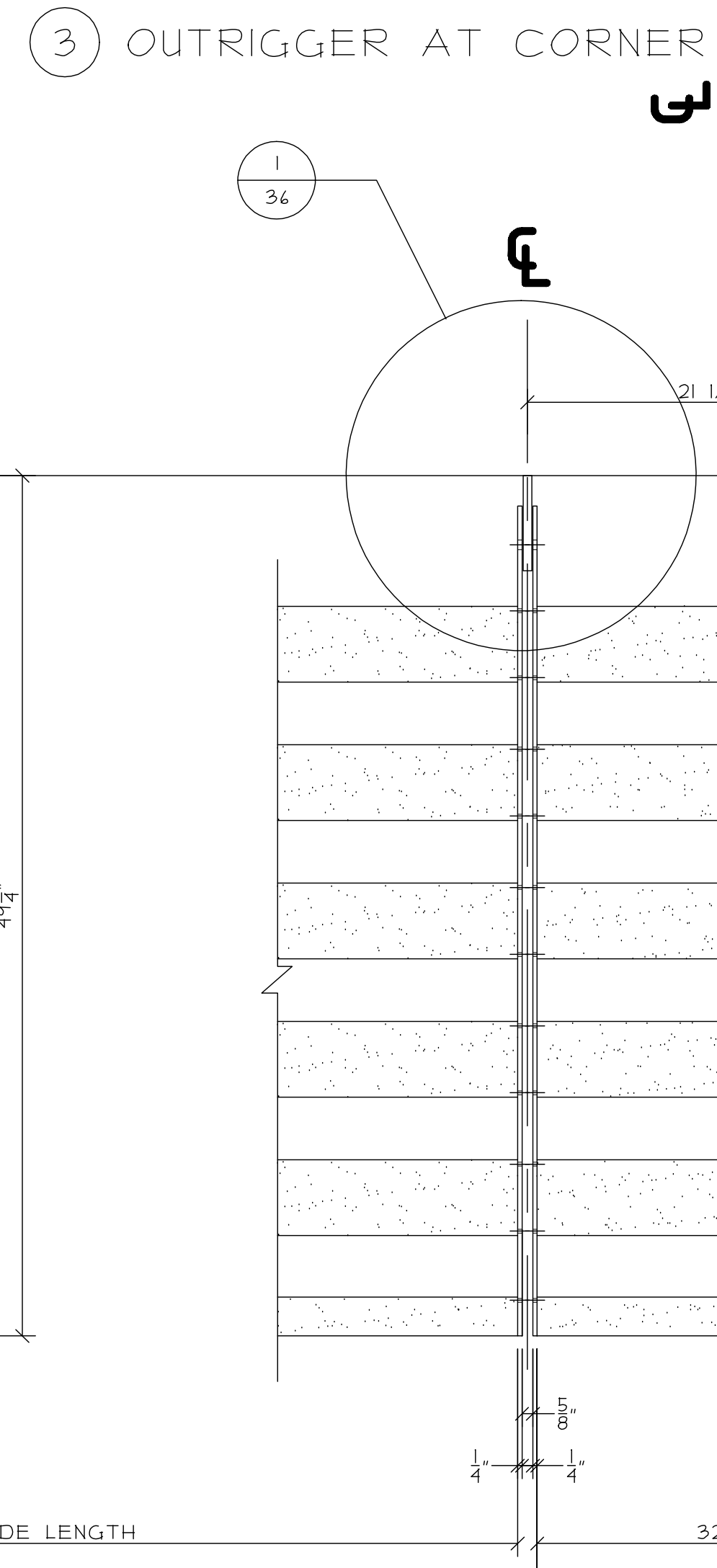
PROJECT:
SAMPLE SAMPLE SAMPLE

LOCATION:
SAMPLE SAMPLE SAMPLE

SCALE: 6" = 1'-0"
DATE: SAMPLE
PAGE: 33 of 44



④ OUTRIGGER AT END



- G.C. VERIFY AND COORDINATE ALL DIMENSIONS FOR SUN SHADE SUPPORT WITH STRUCTURAL STEEL CONTRACTOR -

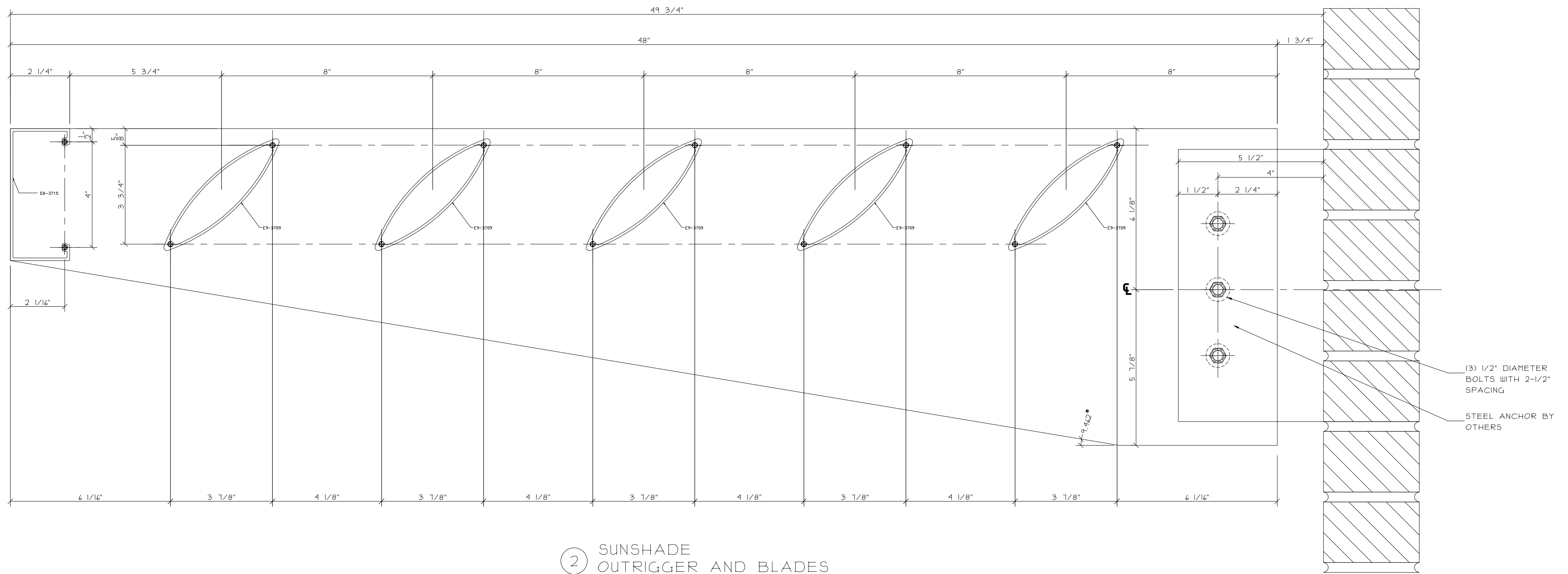
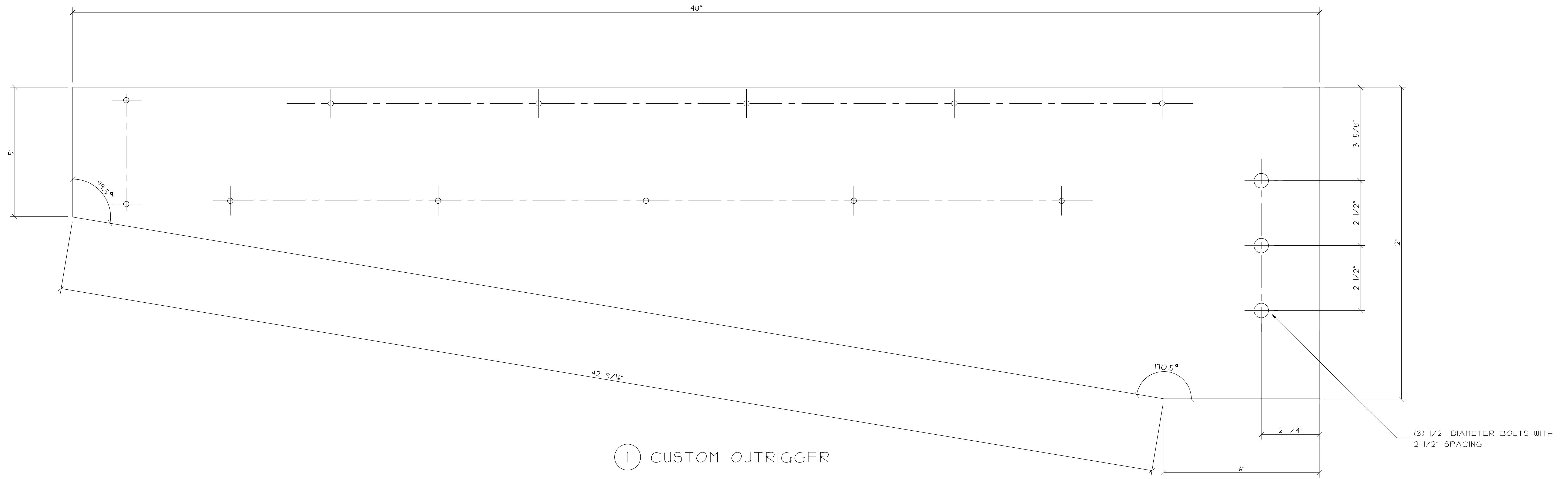
REVISIONS	DATE

GLAZING CONTRACTOR:
SAMPLE SAMPLE SAMPLE
SAMPLE SAMPLE SAMPLE
SAMPLE SAMPLE SAMPLE
SAMPLE SAMPLE SAMPLE
SAMPLE SAMPLE SAMPLE

ARCHITECT:
SAMPLE SAMPLE SAMPLE
SAMPLE SAMPLE SAMPLE
SAMPLE SAMPLE SAMPLE
SAMPLE SAMPLE SAMPLE
SAMPLE SAMPLE SAMPLE

PROJECT:	SAMPLE SAMPLE SAMPLE
LOCATION:	SAMPLE SAMPLE SAMPLE

SCALE:	1 1/2" = 1'-0"
DATE:	SAMPLE
PAGE:	34 of 44



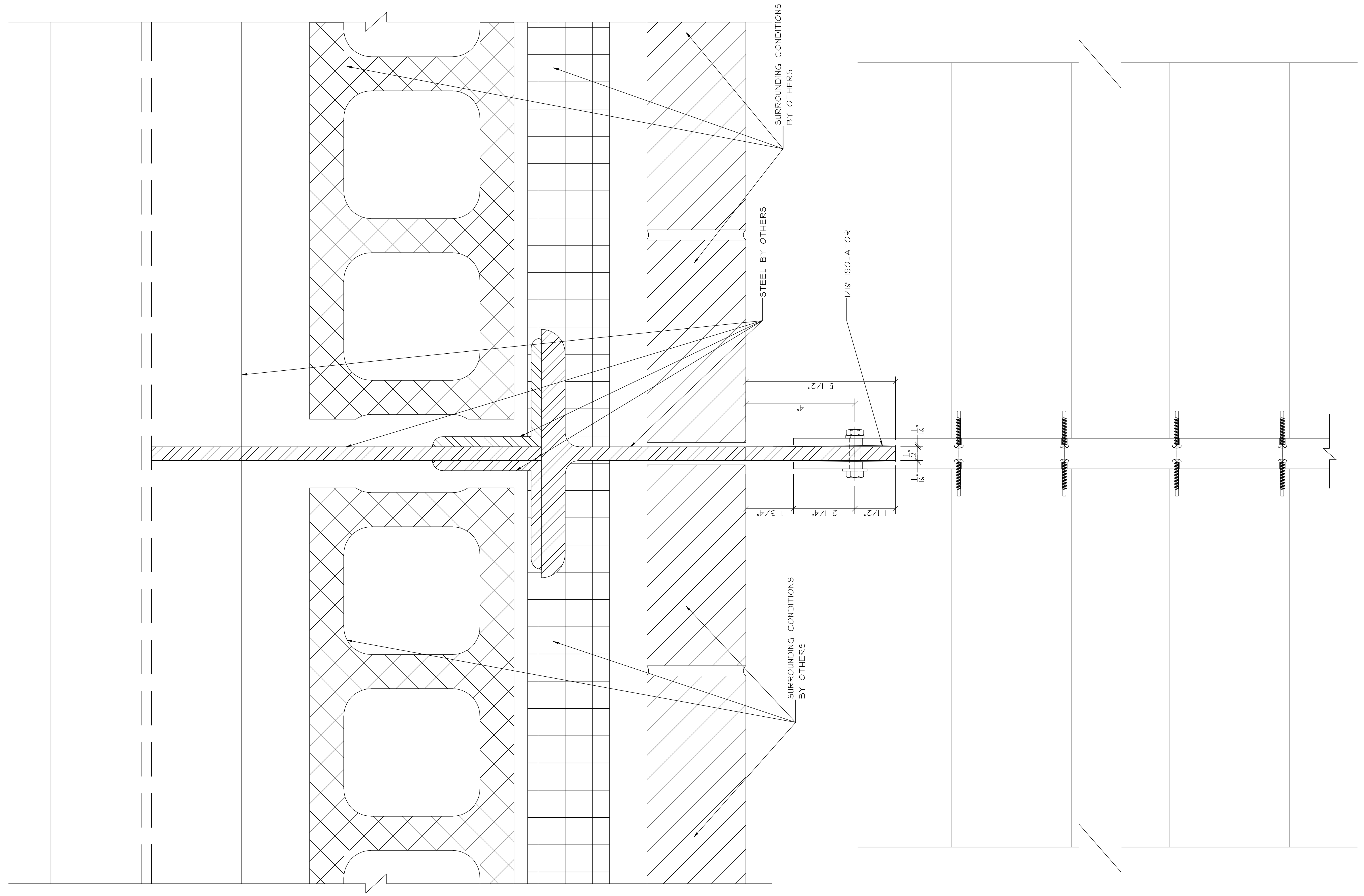
REVISIONS	DATE

GLAZING CONTRACTOR:
SAMPLE SAMPLE SAMPLE
SAMPLE SAMPLE SAMPLE
SAMPLE SAMPLE SAMPLE
SAMPLE SAMPLE SAMPLE
SAMPLE SAMPLE SAMPLE

ARCHITECT:
SAMPLE SAMPLE SAMPLE
SAMPLE SAMPLE SAMPLE
SAMPLE SAMPLE SAMPLE
SAMPLE SAMPLE SAMPLE
SAMPLE SAMPLE SAMPLE

PROJECT:	LOCATION:
SAMPLE SAMPLE SAMPLE	SAMPLE SAMPLE SAMPLE
SAMPLE SAMPLE SAMPLE	SAMPLE SAMPLE SAMPLE

SCALE: 6" = 1'-0"
DATE: SAMPLE
PAGE: 35 of 44



① SUNSHADE ANCHORING DETAIL

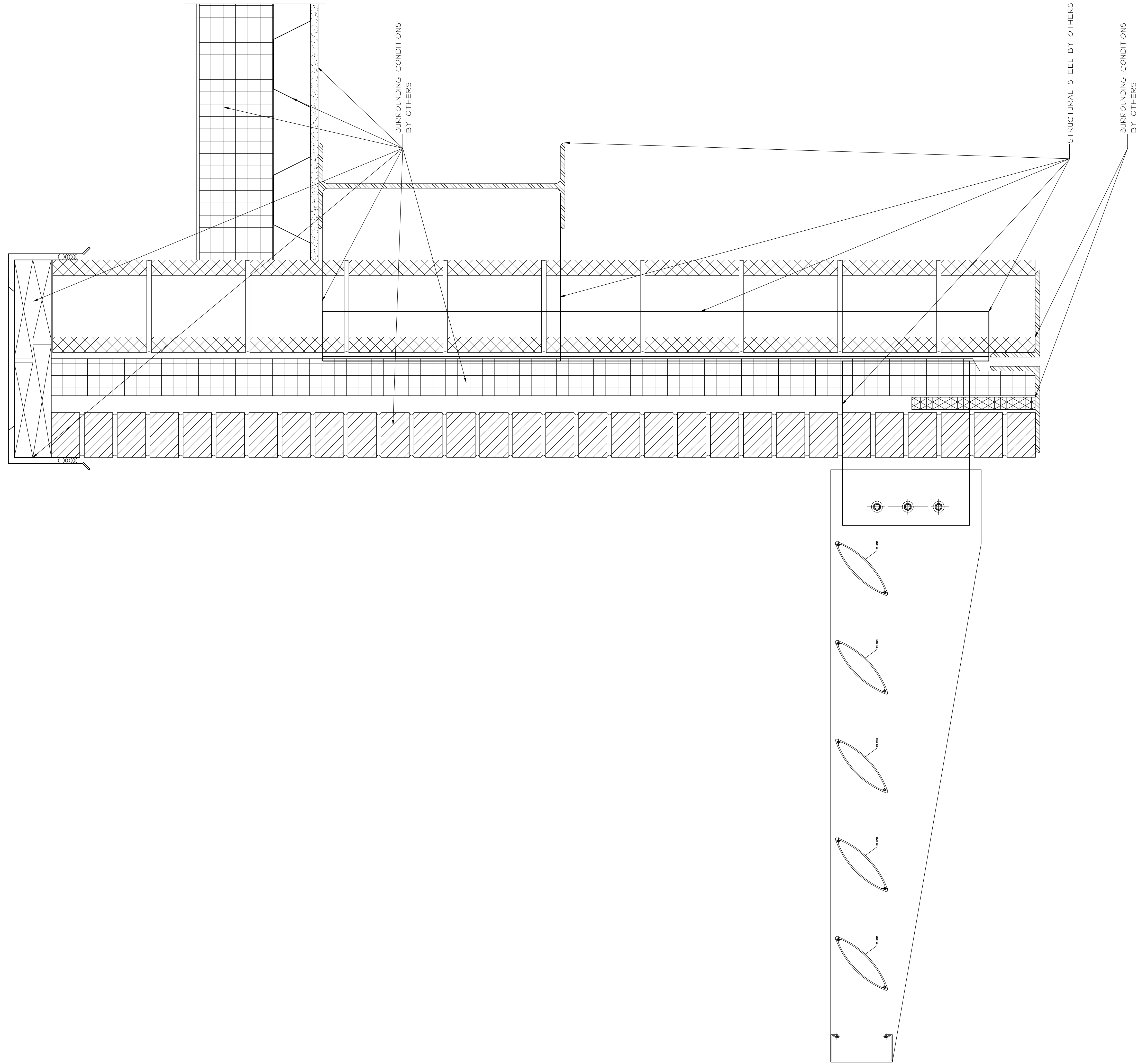
SCALE:
6" = 1'-0"
DATE:
SAMPLE
PAGE:
36 of 44

PROJECT: SAMPLE SAMPLE SAMPLE
LOCATION: SAMPLE SAMPLE SAMPLE

ARCHITECT:
SAMPLE SAMPLE SAMPLE
SAMPLE SAMPLE SAMPLE
SAMPLE SAMPLE SAMPLE
SAMPLE SAMPLE SAMPLE

GLAZING CONTRACTOR:
SAMPLE SAMPLE SAMPLE
SAMPLE SAMPLE SAMPLE
SAMPLE SAMPLE SAMPLE
SAMPLE SAMPLE SAMPLE

REVISIONS	DATE



1 SUNSHADE ANCHORING
 REF. 12/A1.05
 REF. 12/B/A1.05

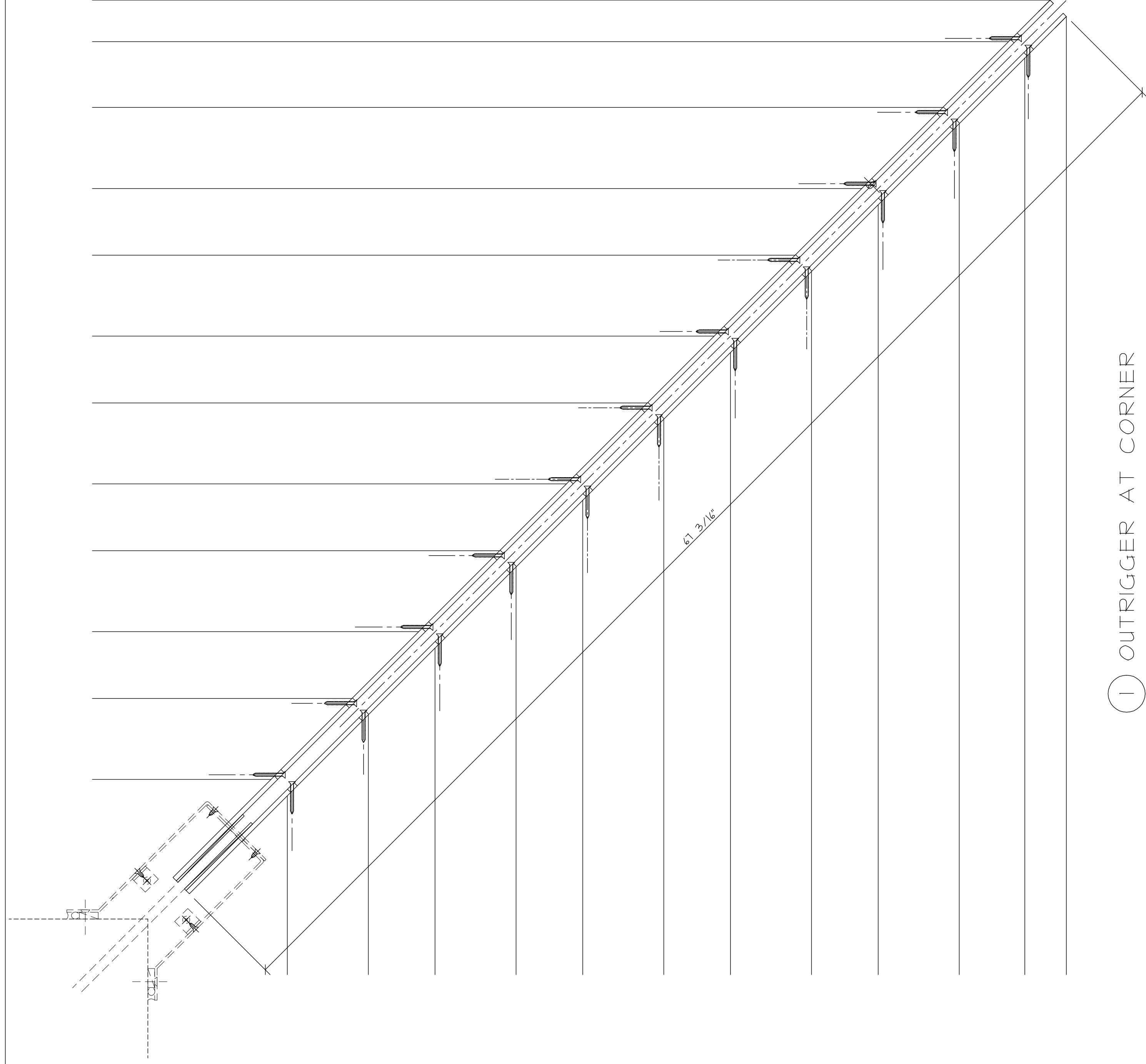
SCALE:
 3 = 1'-0"
 DATE:
 SAMPLE
 PAGE:
 31 of 44

PROJECT: SAMPLE SAMPLE SAMPLE
 LOCATION: SAMPLE SAMPLE SAMPLE

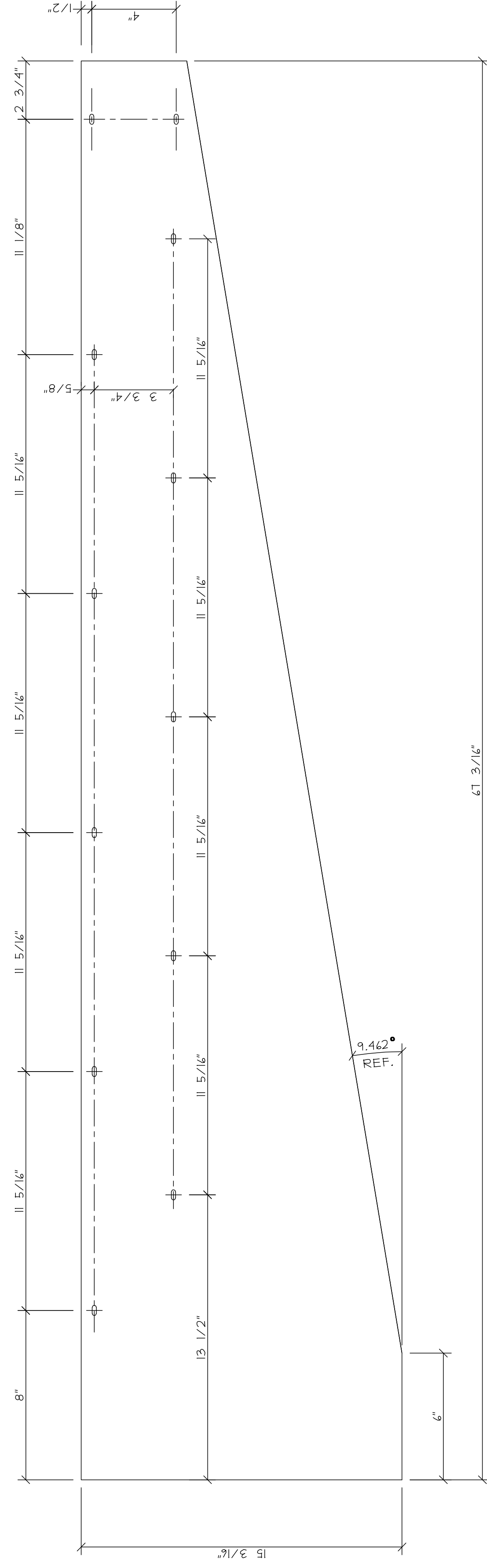
ARCHITECT:
 SAMPLE SAMPLE SAMPLE
 SAMPLE SAMPLE SAMPLE
 SAMPLE SAMPLE SAMPLE
 SAMPLE SAMPLE SAMPLE

GLAZING CONTRACTOR:
 SAMPLE SAMPLE SAMPLE
 SAMPLE SAMPLE SAMPLE
 SAMPLE SAMPLE SAMPLE
 SAMPLE SAMPLE SAMPLE

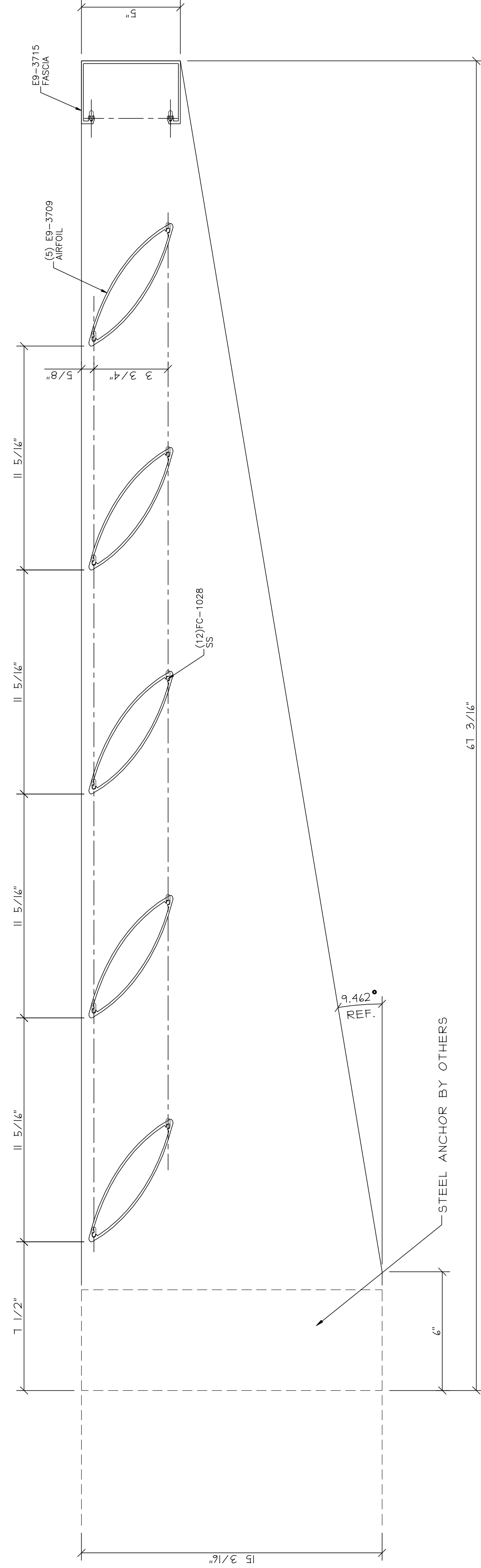
REVISIONS	DATE



① OUTRIGGER AT CORNER



② CUSTOM CORNER OUTRIGGER



③ SUNSHADE CORNER OUTRIGGER AND BLADES

SCALE:
3 = 1'-0"

DATE:
SAMPLE

PAGE:

31A of 44

PROJECT: SAMPLE SAMPLE SAMPLE

LOCATION: SAMPLE SAMPLE SAMPLE

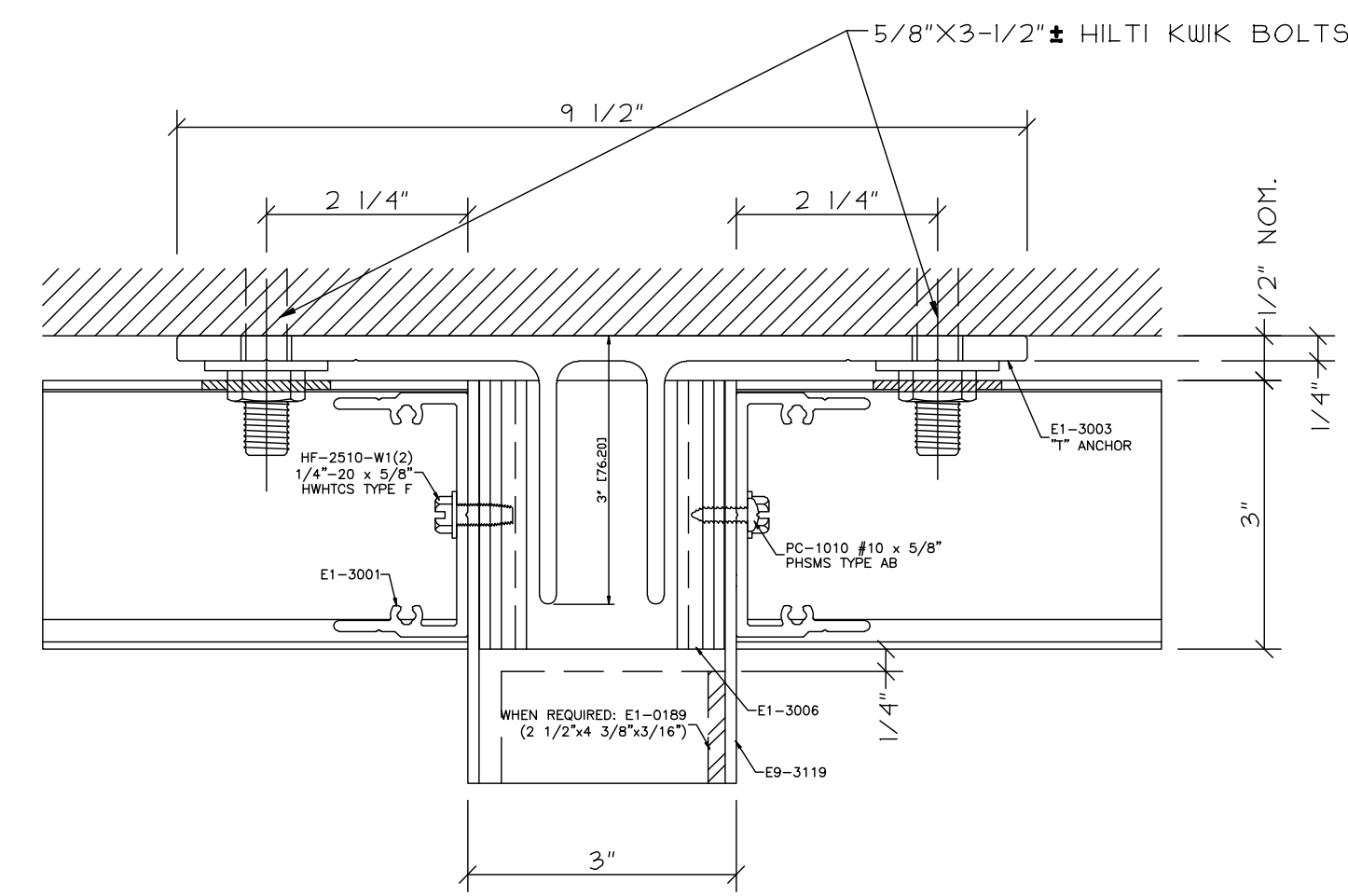
ARCHITECT:
SAMPLE SAMPLE SAMPLE
SAMPLE SAMPLE SAMPLE
SAMPLE SAMPLE SAMPLE
SAMPLE SAMPLE SAMPLE

GLAZING CONTRACTOR:
SAMPLE SAMPLE SAMPLE
SAMPLE SAMPLE SAMPLE
SAMPLE SAMPLE SAMPLE
SAMPLE SAMPLE SAMPLE
SAMPLE SAMPLE SAMPLE

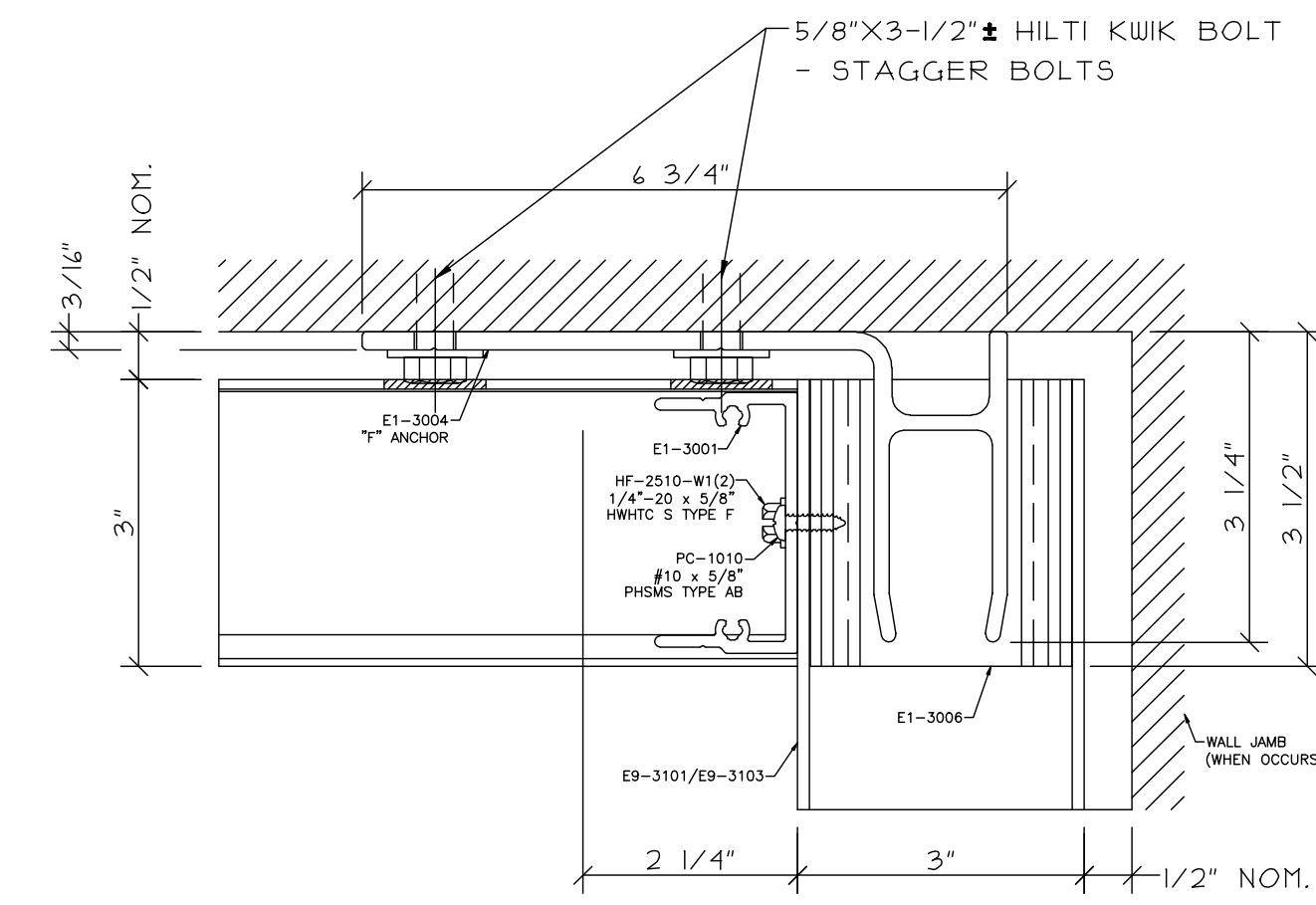
REVISIONS

DATE

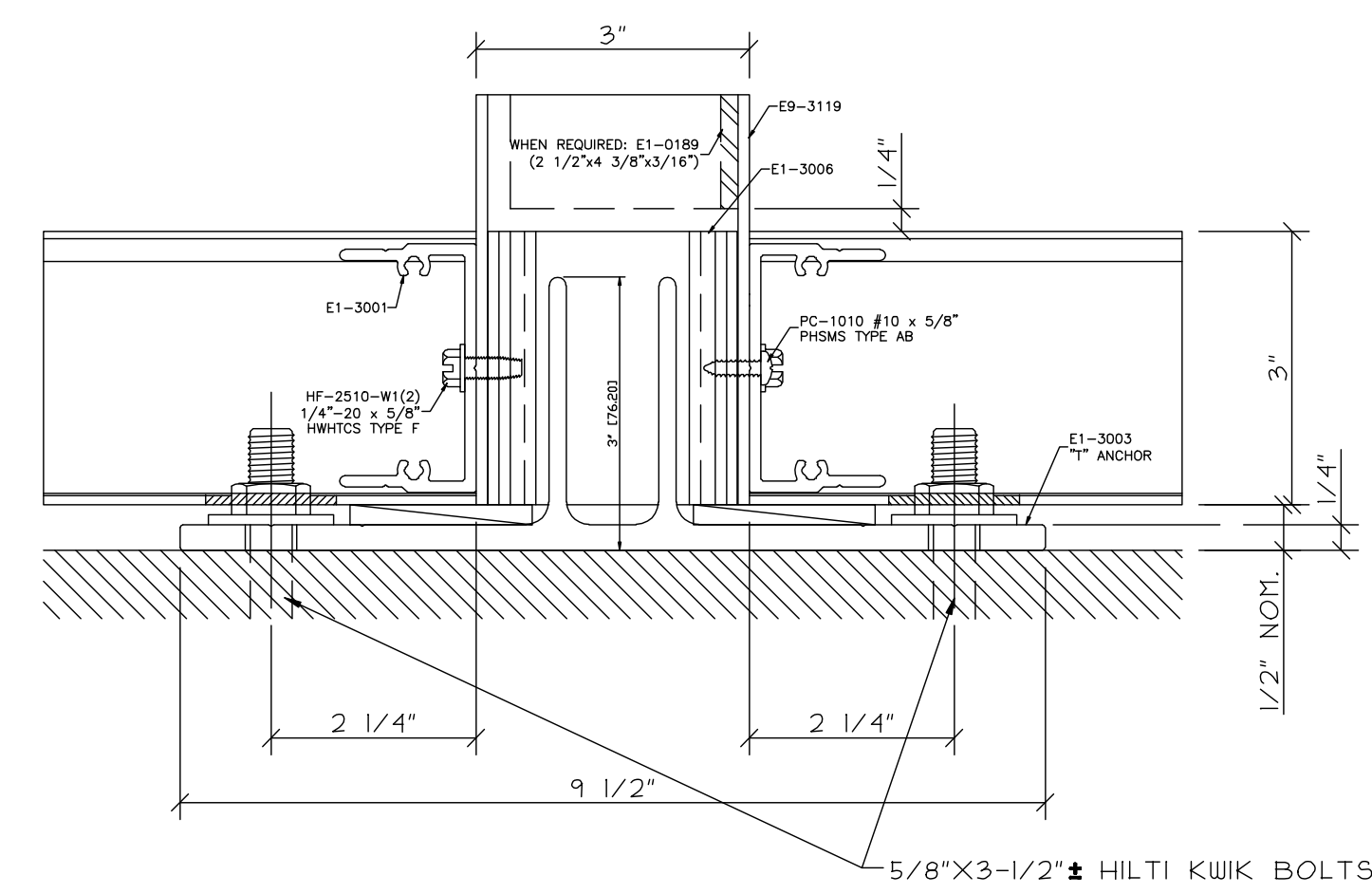
① "T" ANCHOR AT HEAD



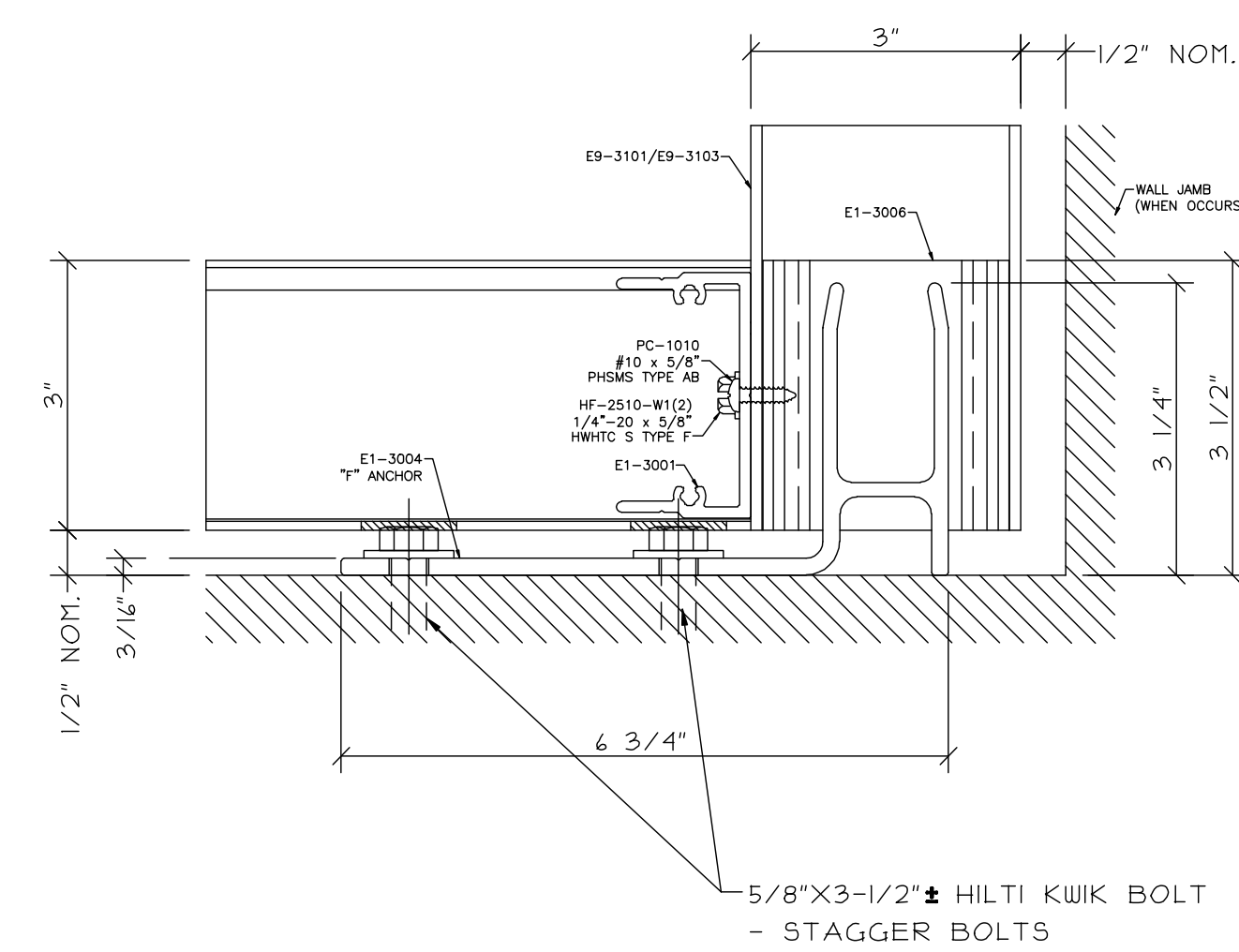
③ "F" ANCHOR AT HEAD



② "T" ANCHOR AT SILL



④ "F" ANCHOR AT SILL



REVISIONS	DATE

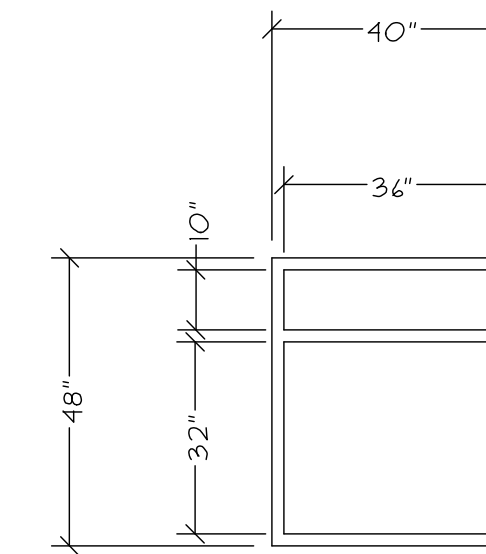
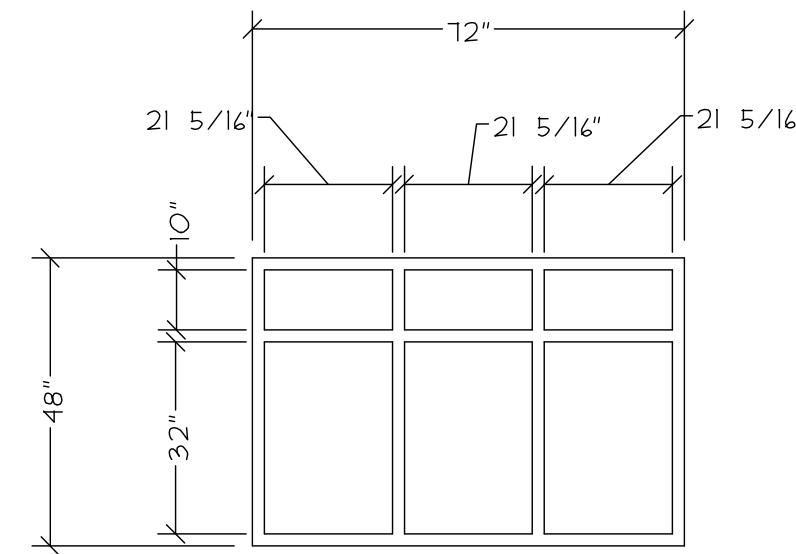
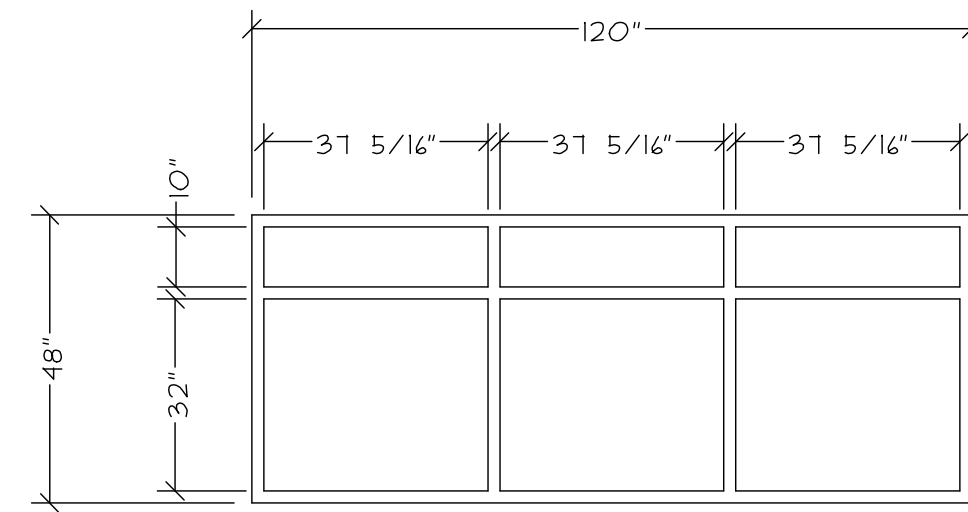
GLAZING CONTRACTOR:
SAMPLE SAMPLE SAMPLE
SAMPLE SAMPLE SAMPLE
SAMPLE SAMPLE SAMPLE
SAMPLE SAMPLE SAMPLE
SAMPLE SAMPLE SAMPLE

ARCHITECT:
SAMPLE SAMPLE SAMPLE
SAMPLE SAMPLE SAMPLE
SAMPLE SAMPLE SAMPLE
SAMPLE SAMPLE SAMPLE
SAMPLE SAMPLE SAMPLE

PROJECT:	SAMPLE SAMPLE SAMPLE
LOCATION:	SAMPLE SAMPLE SAMPLE

SCALE:	6" = 1'-0"
DATE:	SAMPLE
PAGE:	38 of 44

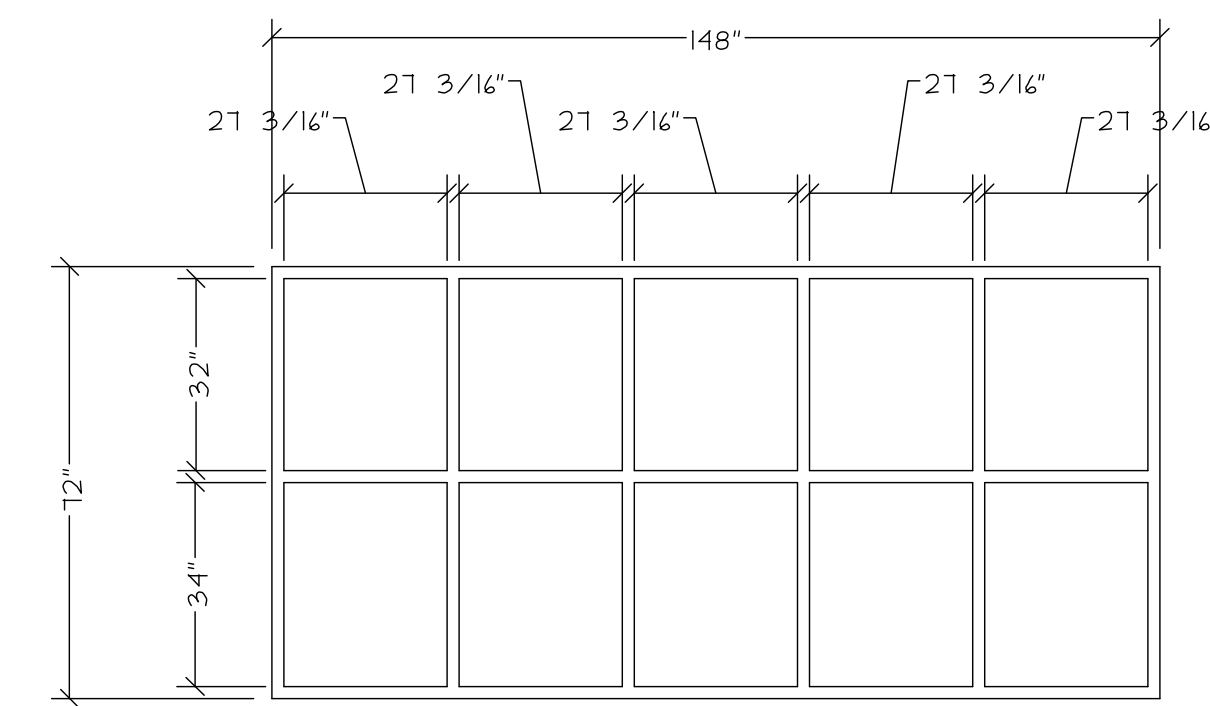
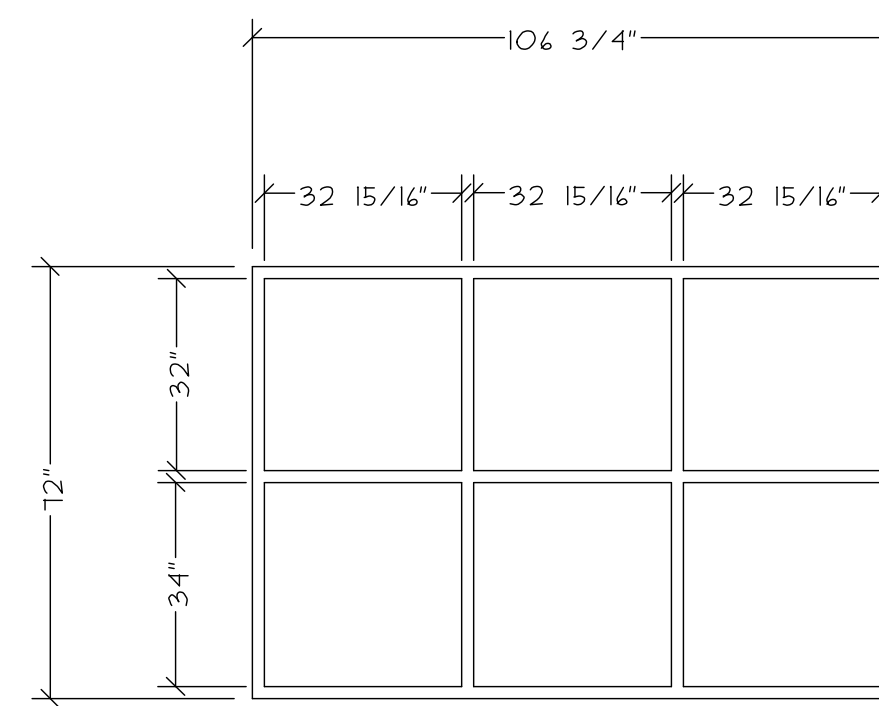
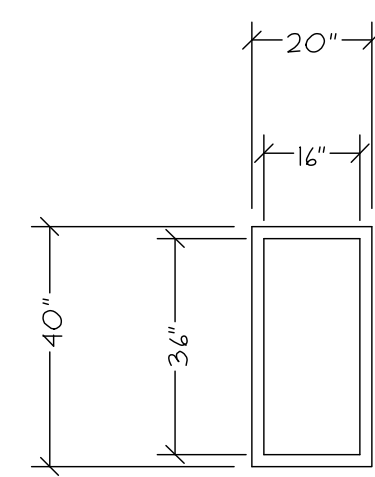
NON 1/4" CLEAR TEMPERED OR LAMINATED GLASS



INTERIOR WINDOW 1 (3) @ CORRIDOR A103		
QUANTITY	GLASS SIZES	VIF
9	37-5/16"W X 10"H	
9	37-5/16"W x 32"H	

INTERIOR WINDOW 2 (3) @ CORRIDOR A103/F114		
QUANTITY	GLASS SIZES	VIF
9	21-5/16"W X 10"H	
9	21-5/16"W x 32"H	

INTERIOR WINDOW 3 (1) @ OFFICE F105		
QUANTITY	GLASS SIZES	VIF
1	36"W X 10"H	
1	36"W x 32"H	



INTERIOR WINDOW 4 (1) @ MIDI ROOM D104		
QUANTITY	GLASS SIZES	VIF
1	16"W X 36"H	

INTERIOR WINDOW 6 (1) @ TRAINER F147		
QUANTITY	GLASS SIZES	VIF
3	32-15/16"W X 32"H	
3	32-15/16"W x 34"H	

INTERIOR WINDOW 7 (1) @ FITNESS CENTER F148		
QUANTITY	GLASS SIZES	VIF
5	27-3/16"W X 32"H	
5	27-3/16"W x 34"H	

REVISIONS	DATE

GLAZING CONTRACTOR:
SAMPLE SAMPLE SAMPLE
SAMPLE SAMPLE SAMPLE
SAMPLE SAMPLE SAMPLE
SAMPLE SAMPLE SAMPLE
SAMPLE SAMPLE SAMPLE

ARCHITECT:
SAMPLE SAMPLE SAMPLE
SAMPLE SAMPLE SAMPLE
SAMPLE SAMPLE SAMPLE
SAMPLE SAMPLE SAMPLE
SAMPLE SAMPLE SAMPLE

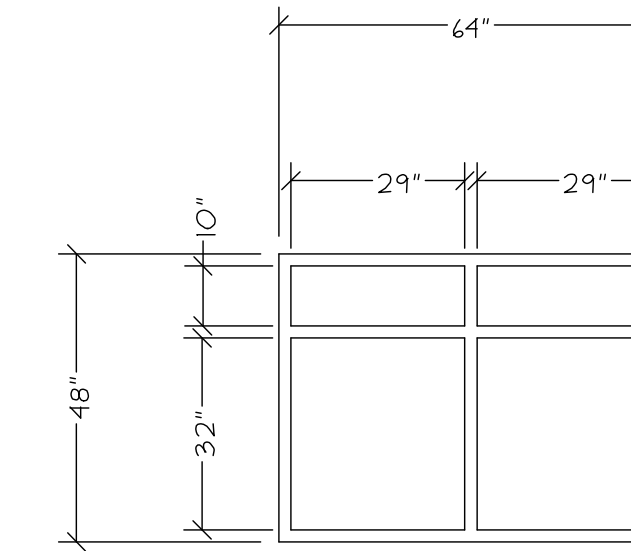
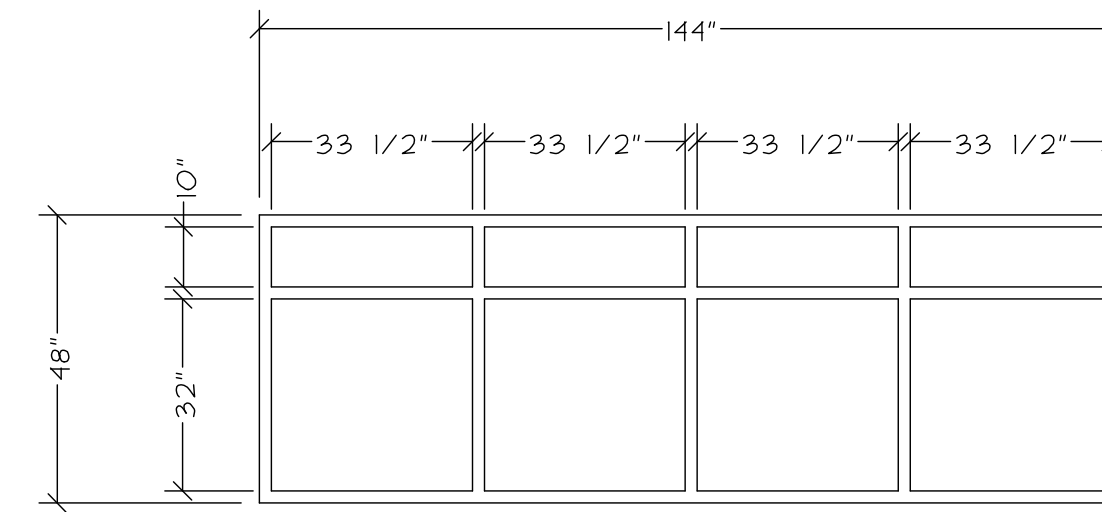
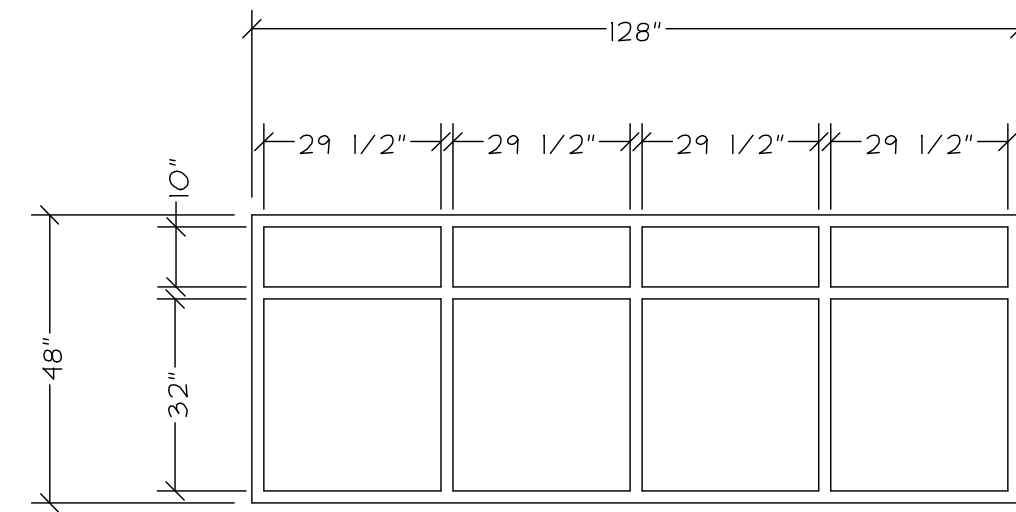
PROJECT:	LOCATION:
SAMPLE SAMPLE SAMPLE	SAMPLE SAMPLE SAMPLE

SCALE:
3/8" = 1'-0"

DATE:
SAMPLE

PAGE:
39 of 44

NON 1/4" CLEAR TEMPERED OR LAMINATED GLASS



INTERIOR WINDOW 8 (1) @ OFFICE G111		
QUANTITY	GLASS SIZES	VIF
4	29-1/2"W X 10"H	
4	29-1/2"W x 32"H	

INTERIOR WINDOW 9 (1) @ CORRIDOR F149		
QUANTITY	GLASS SIZES	VIF
4	33-1/2"W X 10"H	
4	33-1/2"W x 32"H	

INTERIOR WINDOW 10 (1) @ CORRIDOR F149		
QUANTITY	GLASS SIZES	VIF
2	29"W X 10"H	
2	29"W x 32"H	

PROJECT: SAMPLE SAMPLE SAMPLE

LOCATION: SAMPLE SAMPLE SAMPLE

SCALE:
3/8" = 1'-0"

DATE:
SAMPLE

PAGE:
40 of 44

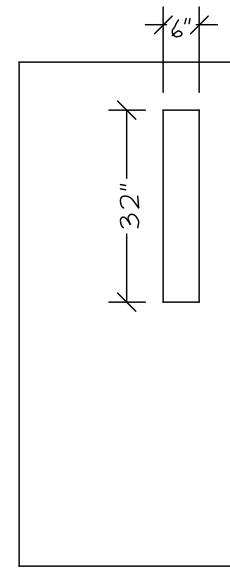
ARCHITECT:
SAMPLE SAMPLE SAMPLE
SAMPLE SAMPLE SAMPLE
SAMPLE SAMPLE SAMPLE
SAMPLE SAMPLE SAMPLE

GLAZING CONTRACTOR:
SAMPLE SAMPLE SAMPLE
SAMPLE SAMPLE SAMPLE
SAMPLE SAMPLE SAMPLE
SAMPLE SAMPLE SAMPLE

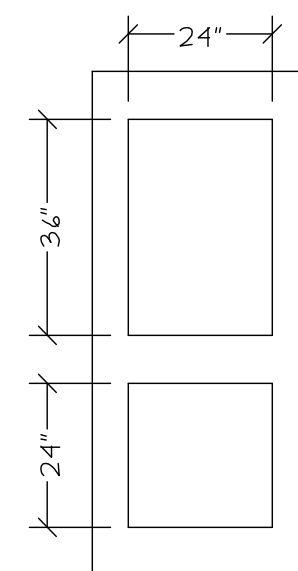
REVISIONS

DATE

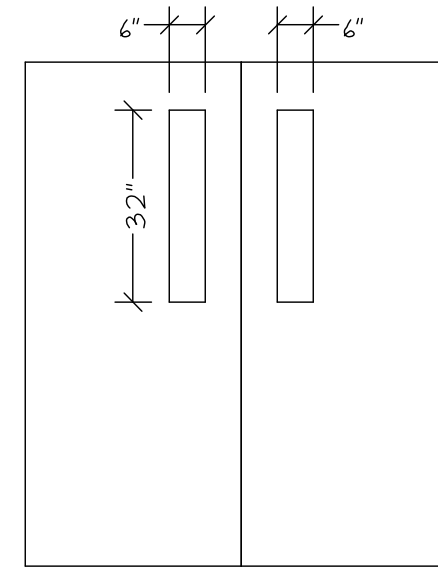
NON 1/4" CLEAR TEMPERED OR LAMINATED GLASS
 45 MIN 1/4" CLEAR WIRE DIAMOND SAFETY GLASS (SPECS 088000-3 2.02 D) IN LIEU OF 7/16" LAMINATED WIRE GLASS
 90 MIN 5/16" FIRELITE PLUS GLASS



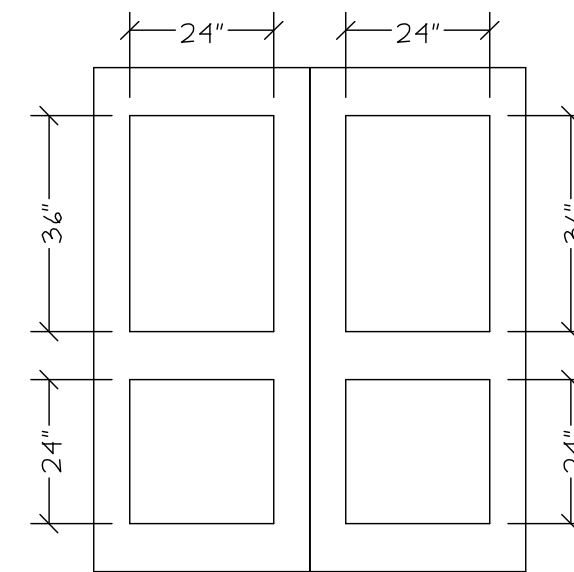
DOOR D3 (1) 6"W x 32"H											
NON (18)	D131C	D136C	D136D	D141B	D145A	D145B	D146B	D147B	D148B		
	F104A	F107A	F108A								
	G117A	G120A	G122A								
	H111B	H116C	H148B								
45 MIN (80)	F018A										
	B104A	B104B	B105A	B105B	B106A	B107A	B107B	B108A	B115A	B116A	
	B118A	B119A	B126A	B126B	B127A	B128A	B129A	B130A	B131A	B134A	
	B135A	B140A	B144A	B145A	B146A	B147A	B148A	B149A	B151A	B152A	
	C114A	C121B	C123A	C126B	C135A	C140A	C141A	C142A	C143A	C144A	
	C145A	C148A	C149A	C149B	C150A	C151A	C151B	C152A	C158A		
	D124A	D135A	D136B	D139B	D144B	D146A	D147A	D148A			
	F103B	F106A	F116A	F117A	F120A	F131A					
	H117A	H118A	H118B	H119A	H120A	H121B	H123A	H125A	H126A	H127A	
	H127B	H127C	H128A	H137A	H140A	H144A					
	90 MIN (21)	C104A	C107A	C109A	C111A	C113A	C115A	C117A	C119A	C121A	C123B
		C124A	C126A								
D101A		D105A									
G108A		G108B									
H105A		H116A	H121A	H144B	H108A						



DOOR D5 (1) 24"W x 36"H + (1) 24"W x 24"H										
NON (4)	A119A									
	B103B									
	F106B	F206								



DOOR D4 (2) 6"W x 32"H										
NON (6)	C102A	C127A	C127B							
	D141A	D144A								
	H168B									
45 MIN (12)	B143D									
	C159A									
	D131B	D136A	D139A	D140A	D143A	E108A	E123A			
	F125B	F154A								
90 MIN (3)	H111A									
	F001A									
	C103A									
	F103A									



DOOR D6 (2) 24"W x 36"H + (2) 24"W x 24"H										
NON (26)	A101A	A101B	A101C	A101D	A101E	A101F	A101G	A101H	A101J	
	B117A	B117B	B143B							
	F101A	F113A	F145A	F145B	F150A	F150B	F150C	F150D		
	G101A	G101B	G101E	G101F						
	H129A	H129B								

REVISIONS	DATE

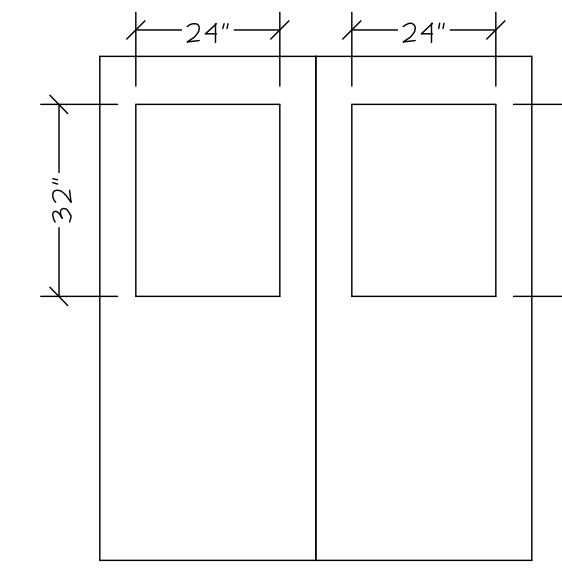
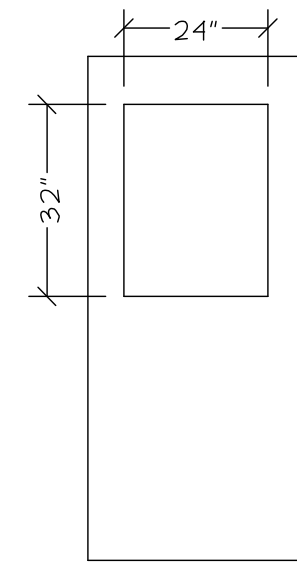
GLAZING CONTRACTOR:
SAMPLE SAMPLE SAMPLE
SAMPLE SAMPLE SAMPLE
SAMPLE SAMPLE SAMPLE
SAMPLE SAMPLE SAMPLE

ARCHITECT:
SAMPLE SAMPLE SAMPLE
SAMPLE SAMPLE SAMPLE
SAMPLE SAMPLE SAMPLE
SAMPLE SAMPLE SAMPLE

PROJECT:	SAMPLE SAMPLE SAMPLE
LOCATION:	SAMPLE SAMPLE SAMPLE

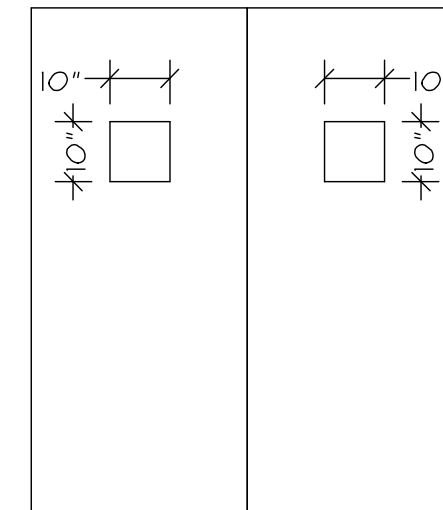
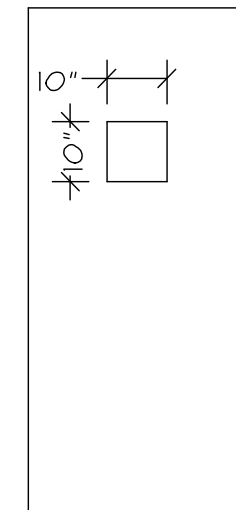
SCALE:
 3/8" = 1'-0"
 DATE:
 SAMPLE
 PAGE:
 41 of 44

NON 1/4" CLEAR TEMPERED OR LAMINATED GLASS
 45 MIN 1/4" CLEAR WIRE DIAMOND SAFETY GLASS (SPECS 088000-3 2.02 D) IN LIEU OF 7/16" LAMINATED WIRE GLASS
 90 MIN 5/16" FIRELITE PLUS GLASS



DOOR D7 (1) 24"W x 32"H										
NON (49)	A108A	A109A	A110A	A110B	A113A	A114A	A115A	A116A	A117A	A118A
	A120A	A120B	A130A	A131A	A133A	A137A	A143A			
	C105A									
	D106A	D131A	D144C							
	E114B	E119A	E119B							
	F105A	F109A	F110A	F112A						
	G111A									
	H101A	H112A	H145A							
	F202A	F203A	F207A	F207B	F208A	F209A	F209B	F210A	F211A	F215A
	F216A	F217A	F219A	F222A	F224A	F229A	F229B			
45 MIN (25)	A104A	A133B	A134A	A135A	A136A	A139B				
	B137A	B141A	B142A	B150A						
	D128A	D128B								
	E114A	E114D	E124A	E124B	E129B	E129C	E129D			
90 MIN (4)	F111A	F111B	F147A	F148B	F151A	F152A				
	A104B	A135B								
	D107A	D108A								

DOOR D8 (2) 24"W x 32"H										
NON (10)	C133B	C133D	C134A							
	H106A	H106B	H108A	H108B	H132A	H132B				
45 MIN (2)	F201A									
	F106B	F148A								
90 MIN (3)	G101C	G101D	G104A							



DOOR D9 (1) 10"W x 10"H										
45 MIN (1)	F151A									
90 MIN (2)	E130C									
	F126A									

DOOR D10 (2) 10"W x 10"H										
90 MIN (2)	C130A	C133A	C133C							
	F114A	F125A	F141A							
	G106A									
	H115A	H132C	H132D	H142A						

REVISIONS	DATE

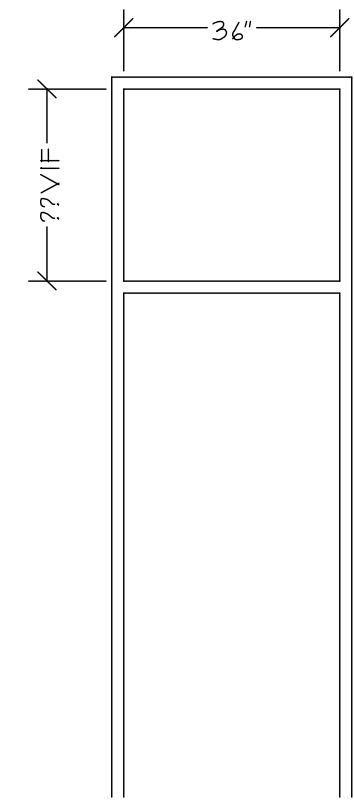
GLAZING CONTRACTOR:
SAMPLE SAMPLE SAMPLE
SAMPLE SAMPLE SAMPLE
SAMPLE SAMPLE SAMPLE
SAMPLE SAMPLE SAMPLE

ARCHITECT:
SAMPLE SAMPLE SAMPLE
SAMPLE SAMPLE SAMPLE
SAMPLE SAMPLE SAMPLE
SAMPLE SAMPLE SAMPLE

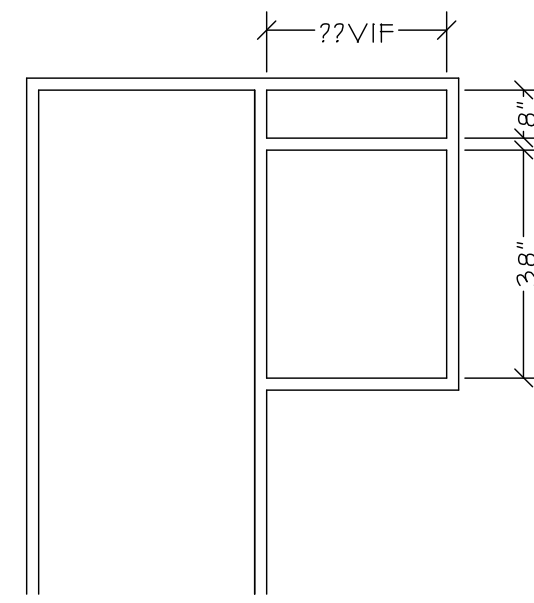
PROJECT:	SAMPLE SAMPLE SAMPLE
LOCATION:	SAMPLE SAMPLE SAMPLE

SCALE:
3/8" = 1'-0"
 DATE:
SAMPLE
 PAGE:
42 of 44

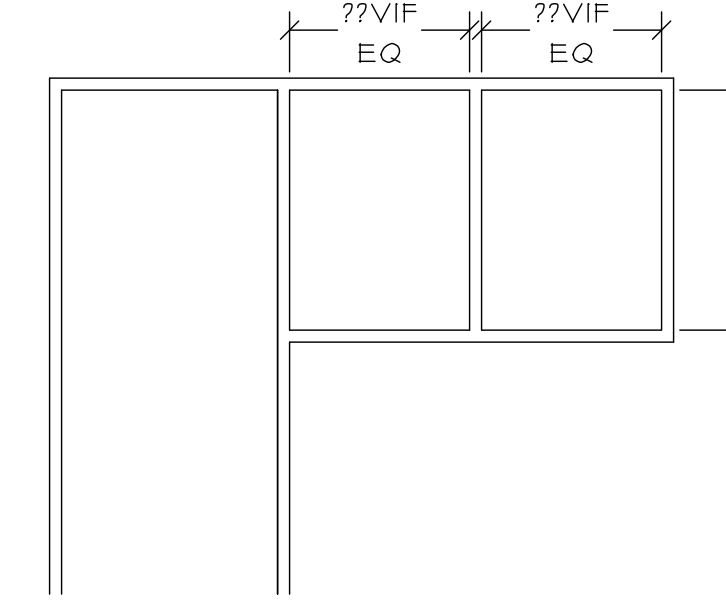
NON 1/4" CLEAR TEMPERED OR LAMINATED GLASS
 45 MIN 1/4" CLEAR WIRE DIAMOND SAFETY GLASS (SPECS 088000-3 2.02 D) IN LIEU OF 7/16" LAMINATED WIRE GLASS
 90 MIN 5/16" FIRELITE PLUS GLASS



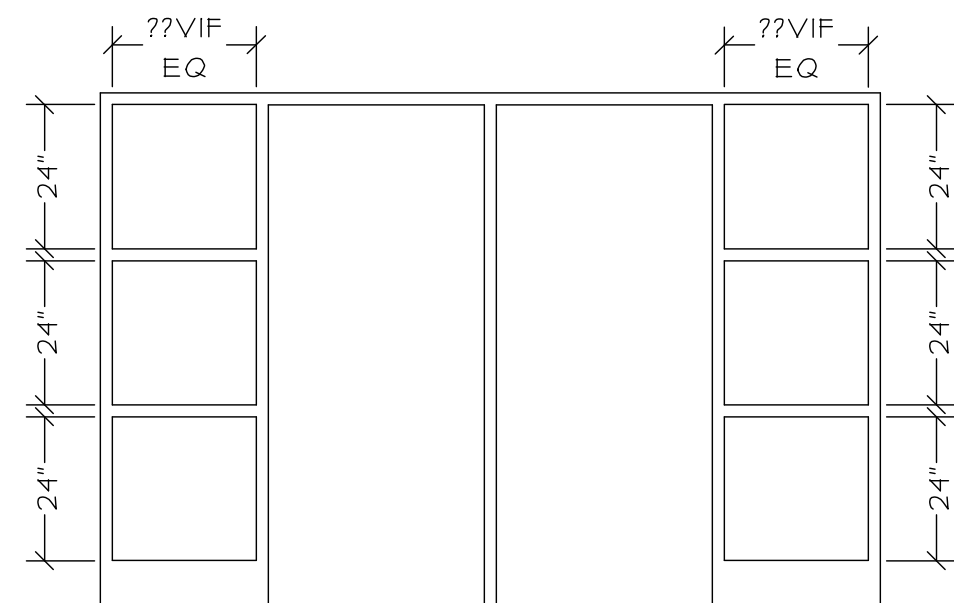
FRAME F2									
(1) 36"W x ??"H									
45 MIN (2)	B126A	B150A							



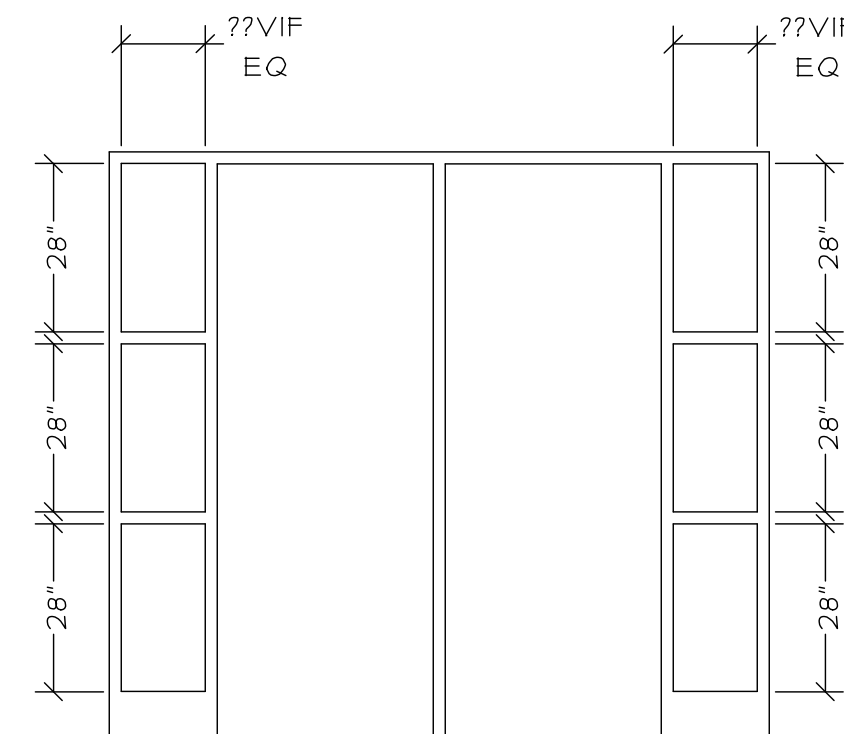
FRAME F3									
(1) ??"W x 8"H + (1) ??"W x 38"H									
NON (12)	A137A								
	C105A								
	E114B	E119A							
	F104A	F107A	F108A	F109A	F110A	F112A			
	G111A								
45 MIN (10)	H145A								
	A104AF	A134A	A136A	A139B					
	B102A	B103A							
90 MIN (1)	E124B	E129B							
	F111A	F111B							
	A135B								



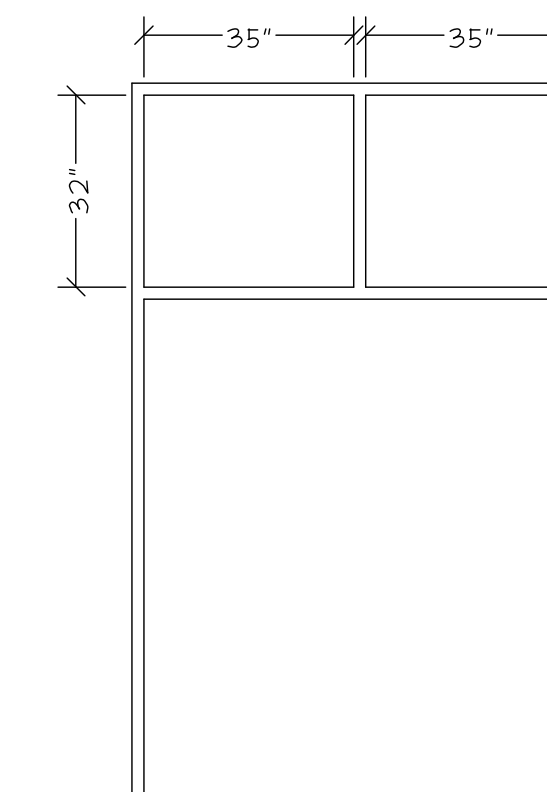
FRAME F4										
(2) ??"W x 40"H										
NON (11)	A113A	A114A	A115A	A116A	A117A	A118A	A120A	A120B	A126A	A130A
45 MIN (10)	A131A									
	A135A									



FRAME F5									
(6) ??"W x 24"H									
NON (2)	B117A	B117B							



FRAME F6									
(6) ??"W x 28"H									
45 MIN (1)	A101E								



FRAME F8									
(2) 35"W x 32"H									
90 MIN (1)	G106A								

REVISIONS	DATE

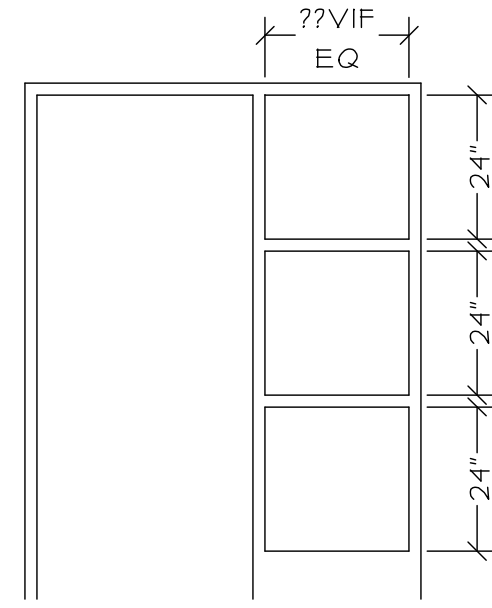
GLAZING CONTRACTOR:
SAMPLE SAMPLE SAMPLE
SAMPLE SAMPLE SAMPLE
SAMPLE SAMPLE SAMPLE
SAMPLE SAMPLE SAMPLE
SAMPLE SAMPLE SAMPLE

ARCHITECT:
SAMPLE SAMPLE SAMPLE
SAMPLE SAMPLE SAMPLE
SAMPLE SAMPLE SAMPLE
SAMPLE SAMPLE SAMPLE
SAMPLE SAMPLE SAMPLE

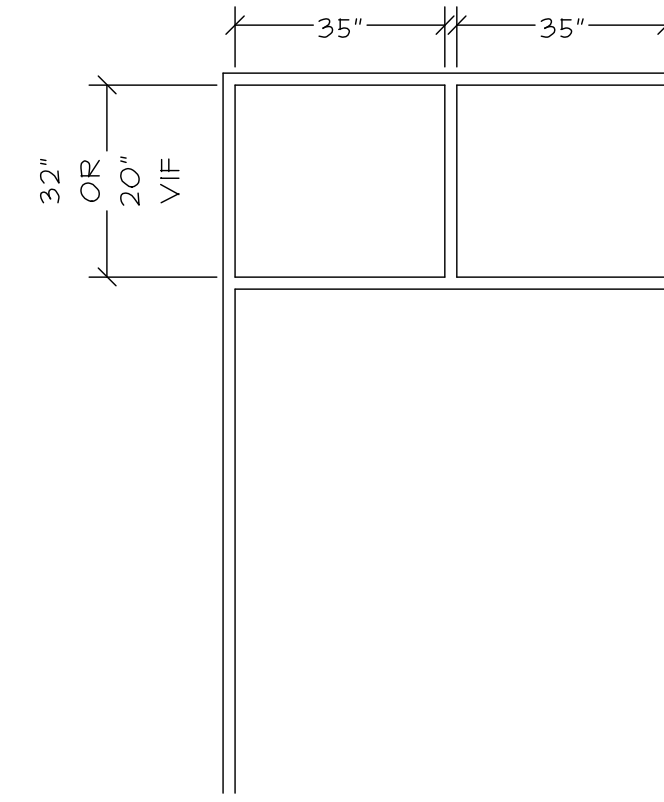
PROJECT:	LOCATION:
SAMPLE SAMPLE SAMPLE	SAMPLE SAMPLE SAMPLE

SCALE: 3/8" = 1'-0"
DATE: SAMPLE
PAGE: 43 of 44

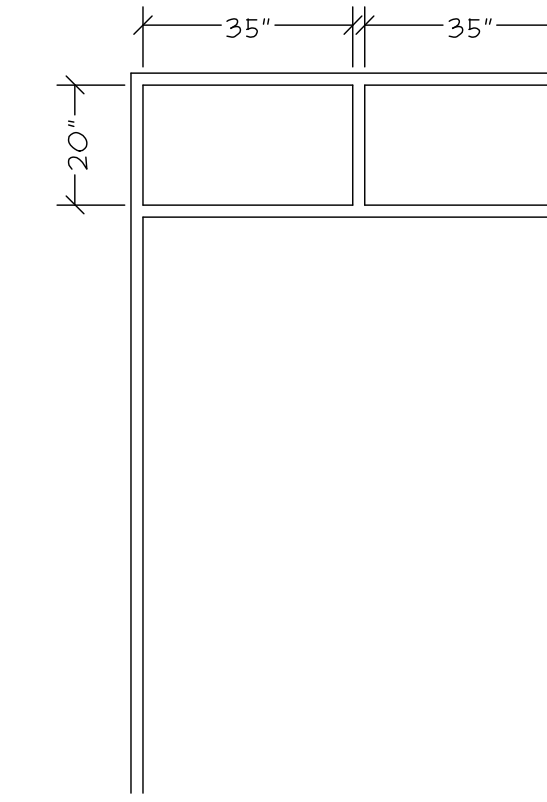
NON 1/4" CLEAR TEMPERED OR LAMINATED GLASS
 45 MIN 1/4" CLEAR WIRE DIAMOND SAFETY GLASS (SPECS 088000-3 2.02 D) IN LIEU OF 7/16" LAMINATED WIRE GLASS
 90 MIN 5/16" FIRELITE PLUS GLASS



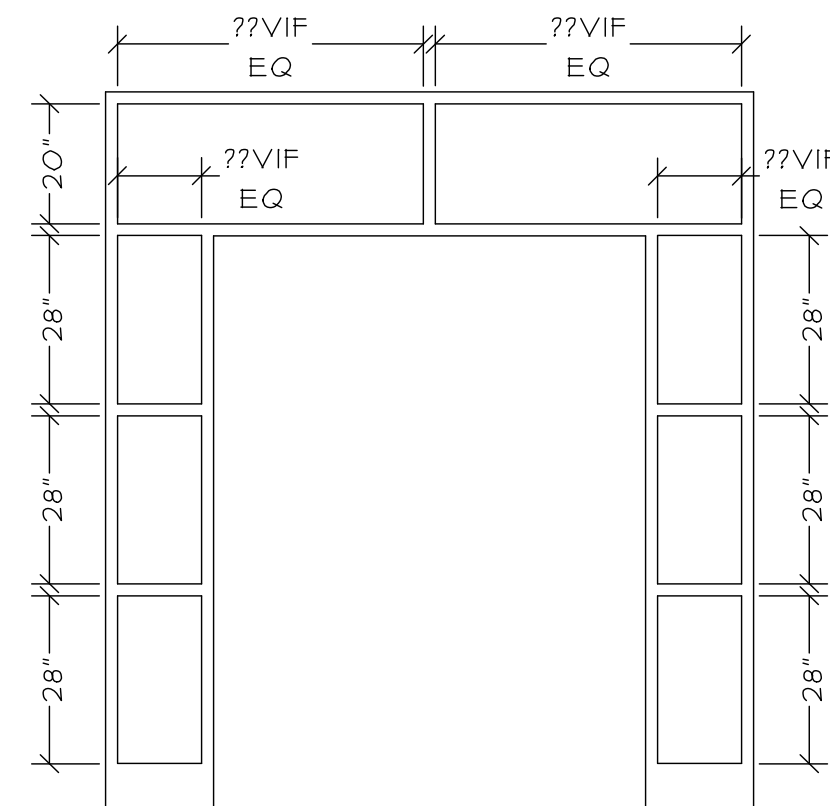
FRAME F9		(3) ??W x 24"H							
90 MIN (1)	A104B								



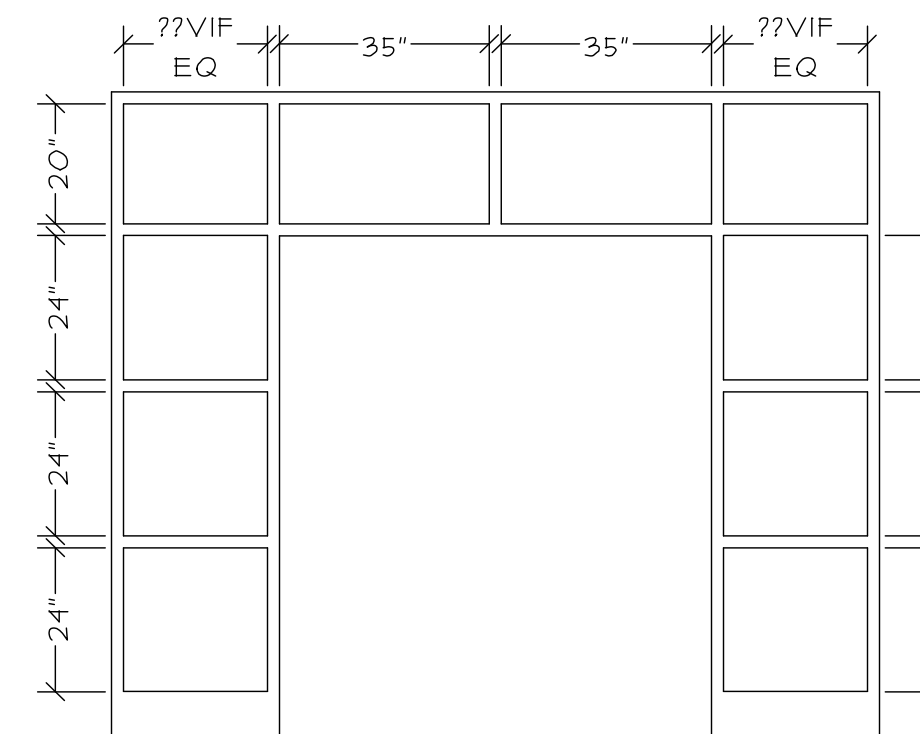
FRAME F13		(2) 35"W x 32"H OR (2) 35"W x 20"H							
NON (11)	C102A	C133B	C133D	C134A					
	D141A	D144A							
	F113A								
45 MIN (6)	H129A	H129B	H132A	H132B					
	D131B	D136A	D139A	D140A	D143A				
90 MIN (1)	C130A								



FRAME F14		(2) 35"W x 20"H							
NON (11)	A101A	A101B	A101C	A101D	A101F	A101G	A101H	A101J	
	F150A	F150B	F150C	F150D					



FRAME F15		(2) ??W x 20"H + (6) ??W x 28"H							
NON (2)	F145A	F145B							



FRAME F18		(2) 35"W x 20"H + (2) ??W x 20"H + (6) ??W x 24"H							
NON (1)	B143B	B143C							
	F201A								

REVISIONS	DATE

GLAZING CONTRACTOR:	SAMPLE	SAMPLE	SAMPLE
	SAMPLE	SAMPLE	SAMPLE
	SAMPLE	SAMPLE	SAMPLE
	SAMPLE	SAMPLE	SAMPLE

ARCHITECT:	SAMPLE	SAMPLE	SAMPLE
	SAMPLE	SAMPLE	SAMPLE
	SAMPLE	SAMPLE	SAMPLE
	SAMPLE	SAMPLE	SAMPLE

PROJECT:	SAMPLE	SAMPLE	SAMPLE
LOCATION:	SAMPLE	SAMPLE	SAMPLE

SCALE:
 3/8" = 1'-0"
 DATE:
 SAMPLE
 PAGE:
 44 of 44