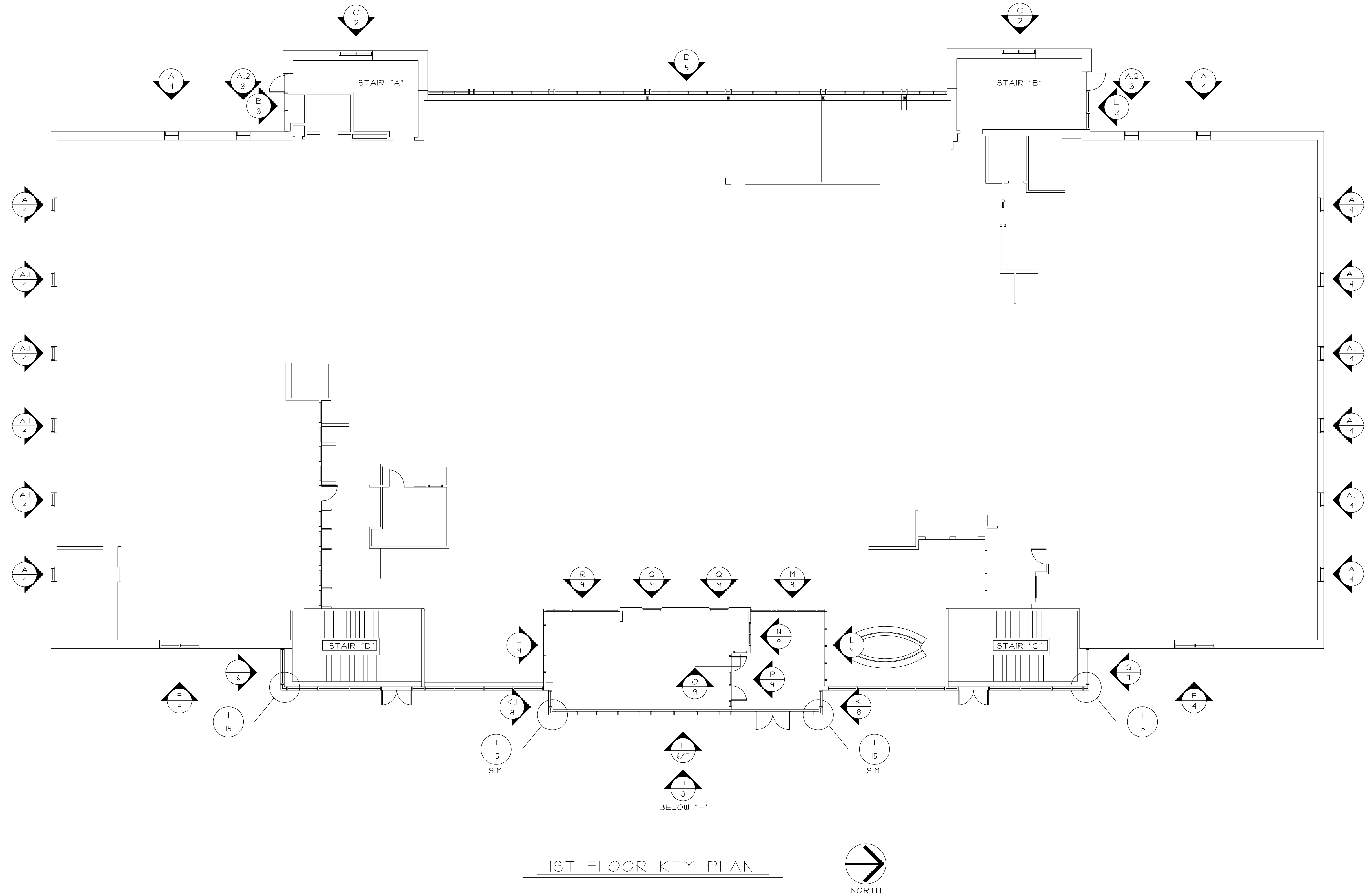


NEW ALUMINUM CURTAIN WALLS, STOREFRONTS, AND ENTRANCES

GENERAL NOTES:

I. GENERAL NOTES



REVISIONS:	DATE:

GLAZING CONTRACTOR:
SAMPLE SAMPLE SAMPLE
SAMPLE SAMPLE SAMPLE
SAMPLE SAMPLE SAMPLE
SAMPLE SAMPLE SAMPLE
SAMPLE SAMPLE SAMPLE

ARCHITECT:
SAMPLE SAMPLE SAMPLE
SAMPLE SAMPLE SAMPLE
SAMPLE SAMPLE SAMPLE
SAMPLE SAMPLE SAMPLE
SAMPLE SAMPLE SAMPLE

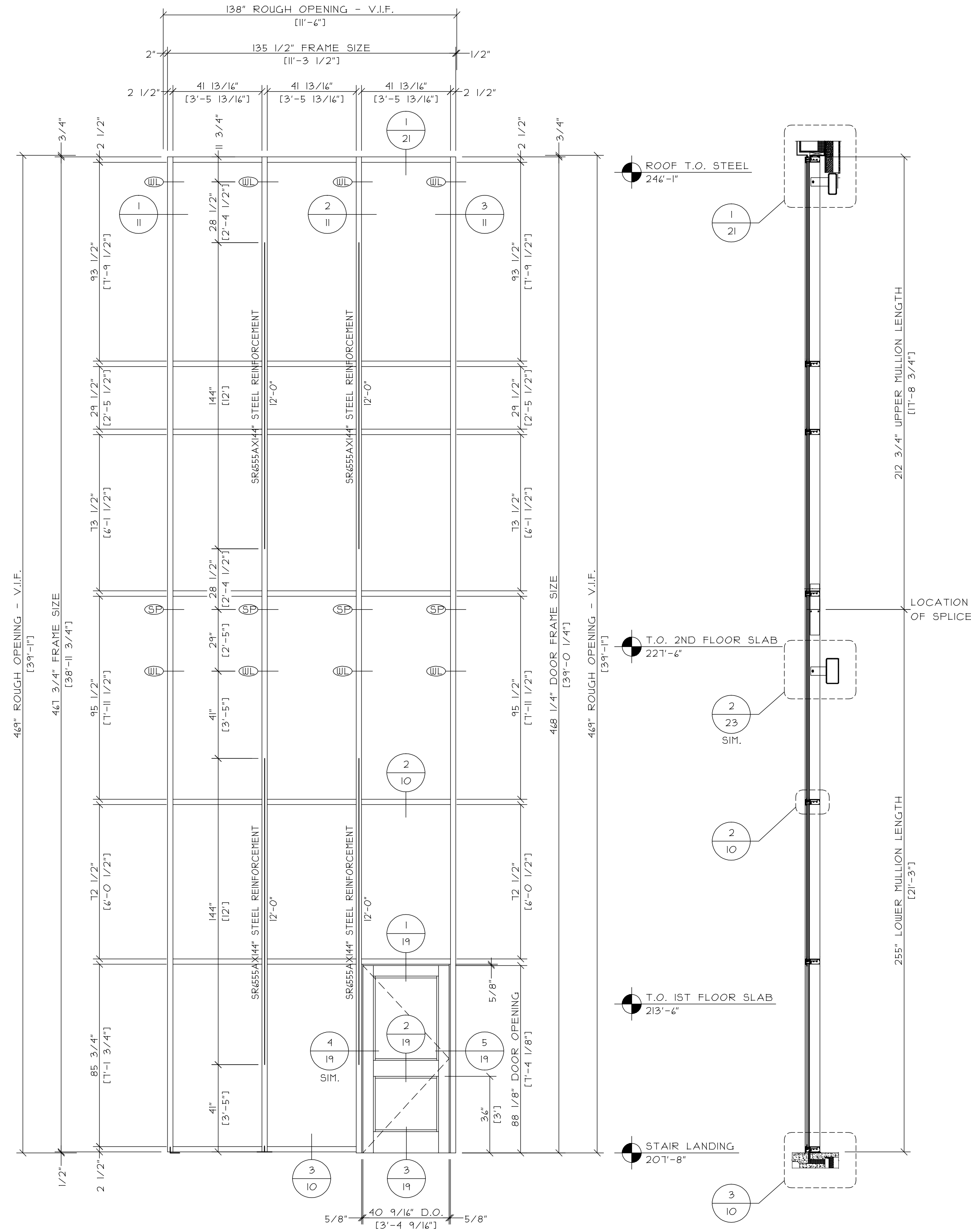
PROJECT:	SAMPLE SAMPLE SAMPLE
LOCATION:	SAMPLE SAMPLE SAMPLE

SCALE:
N.T.S.

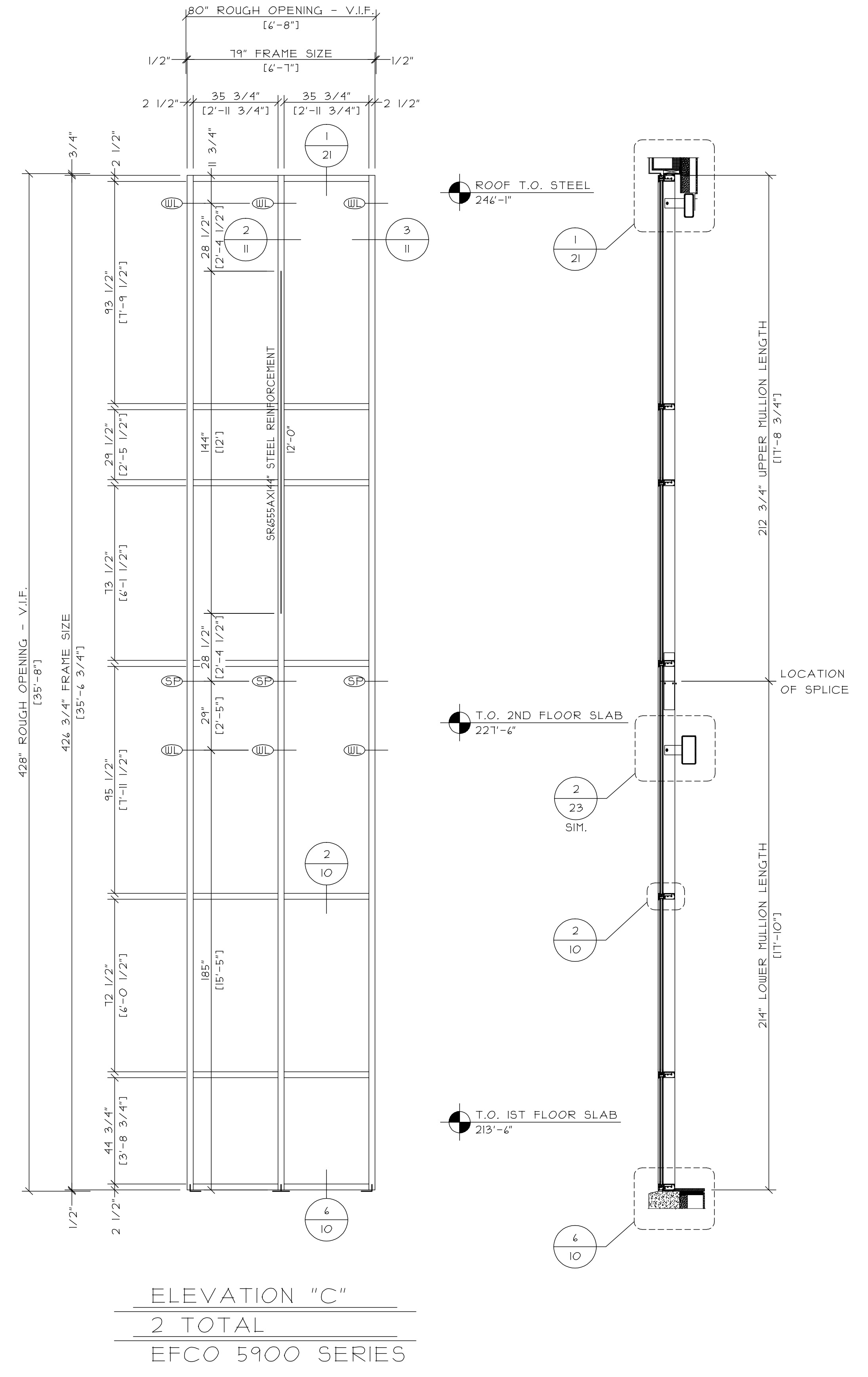
DATE:
SAMPLE

DRAWN:
SAMPLE

PAGE:
1 of 26



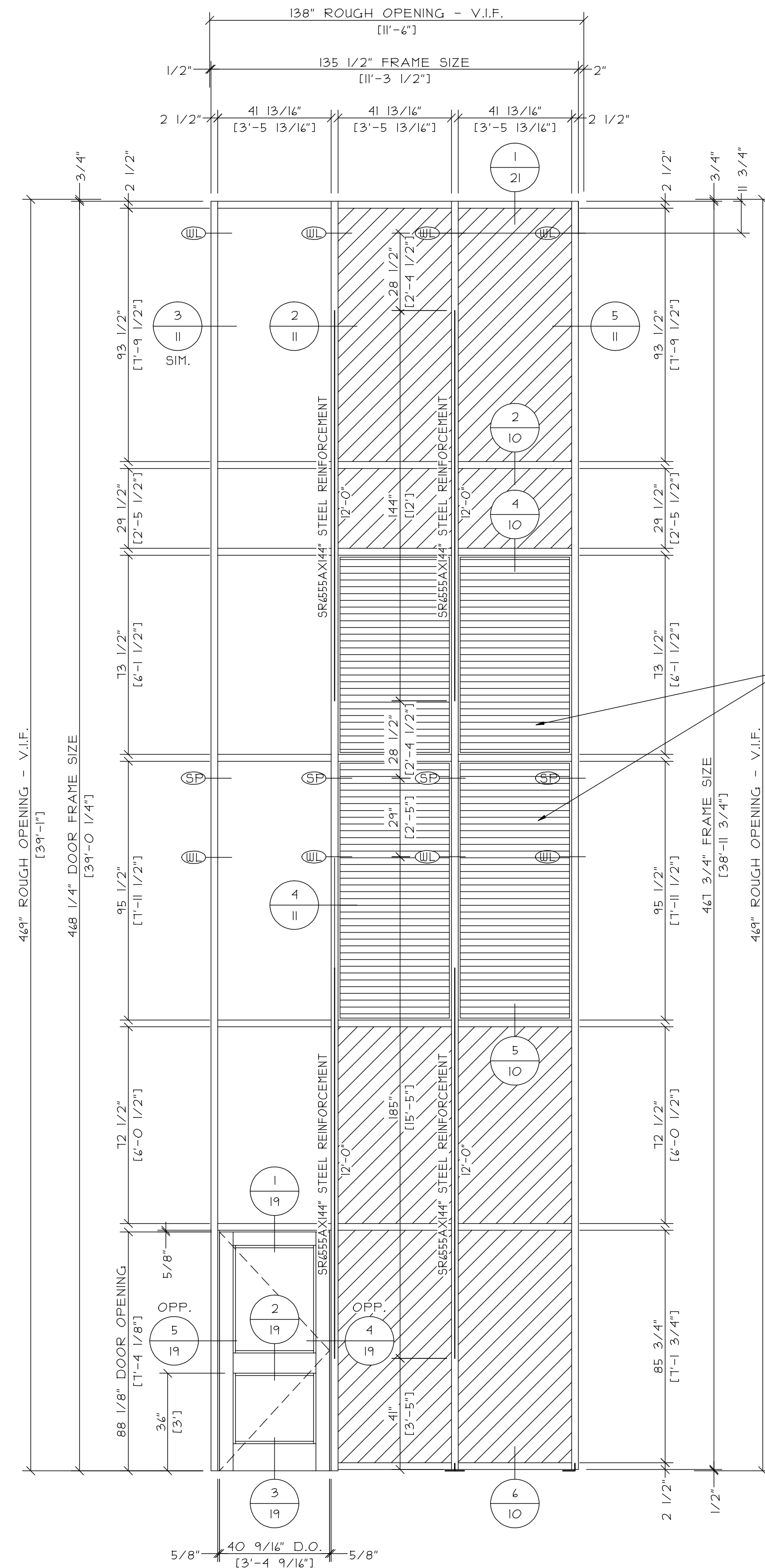
ELEVATION "E"
 1 TOTAL
 EFCO 5900 SERIES WITH
 D500 WIDE STILE DOOR
 DOOR #100B2



ELEVATION "C"
 2 TOTAL
 EFCO 5900 SERIES

- DENOTES LOCATION OF WIND LOAD CLIP
SEE PAGES 21 AND 22
- DENOTES LOCATION OF SPLICE
SEE DETAILS ON PAGE 23
- DENOTES LOCATIONS OF GLASS TYPE GL-1
- DENOTES LOCATIONS OF GLASS TYPE GL-2
- DENOTES LOCATIONS OF GLASS TYPE GL-3

PROJECT:	SAMPLE SAMPLE SAMPLE
LOCATION:	SAMPLE SAMPLE SAMPLE
ARCHITECT:	SAMPLE SAMPLE SAMPLE SAMPLE SAMPLE SAMPLE SAMPLE SAMPLE SAMPLE SAMPLE SAMPLE SAMPLE
GLAZING CONTRACTOR:	SAMPLE SAMPLE SAMPLE SAMPLE SAMPLE SAMPLE SAMPLE SAMPLE SAMPLE SAMPLE SAMPLE SAMPLE
REVISIONS:	
DATE:	
SCALE:	3/8" = 1'-0"
DATE:	SAMPLE
DRAWN:	SAMPLE
PAGE:	2 of 26



ELEVATION "B"

1 TOTAL

EFCO 5900 SERIES WITH
D500 WIDE STILE DOOR
DOOR #100A2

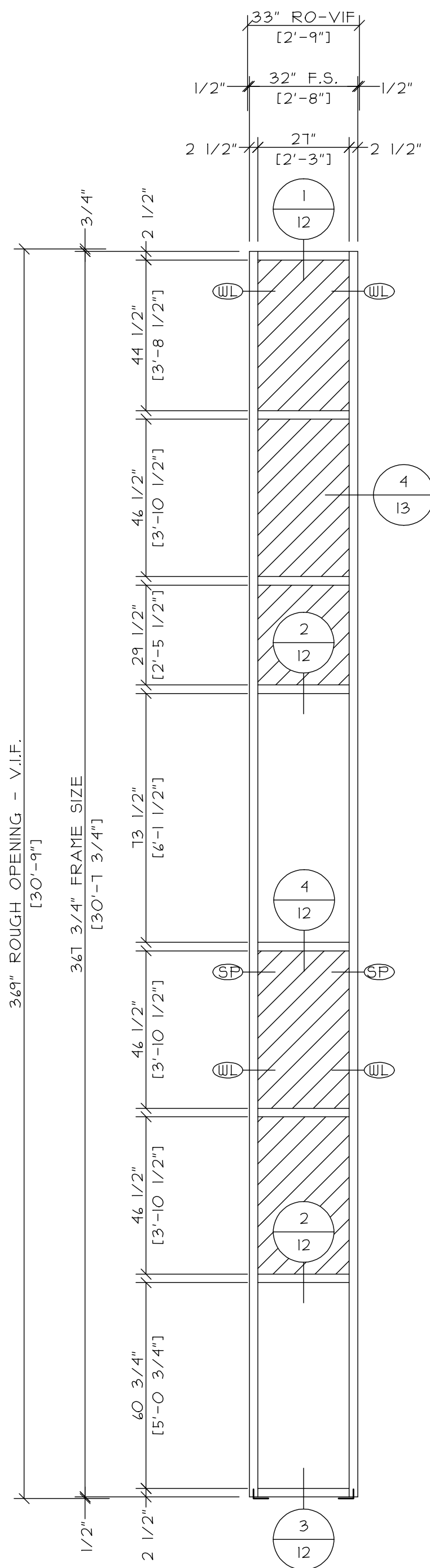
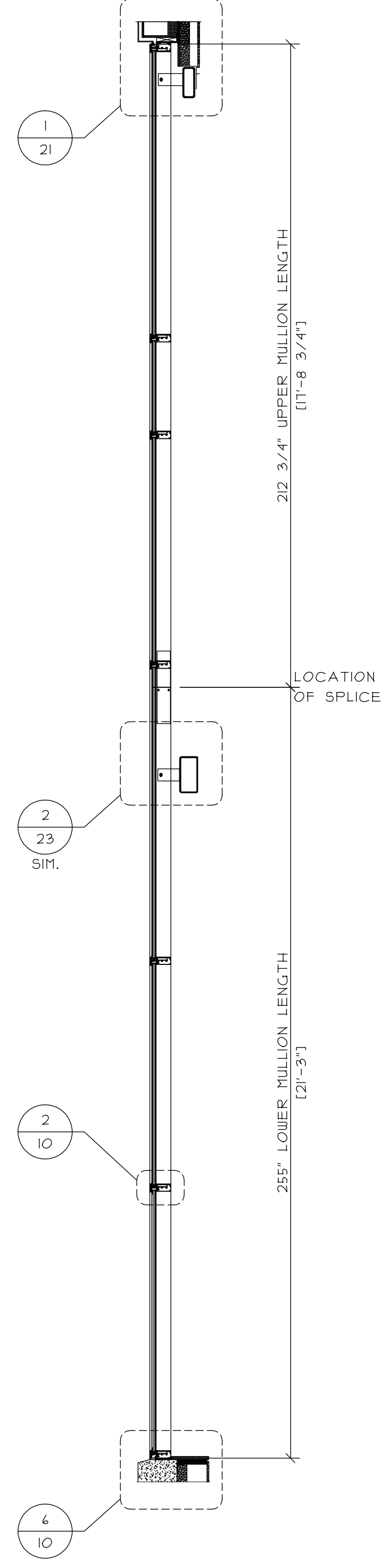
LOUVER FURNISHED BY
OTHERS & INSTALLED BY
LIZOTTE - COORDINATE
EXACT DETAIL WITH
SUPPLIER

ROOF T.O. STEEL
246'-1"

T.O. 2ND FLOOR SLAB
227'-6"

T.O. 1ST FLOOR SLAB
213'-6"

STAIR LANDING
207'-8"

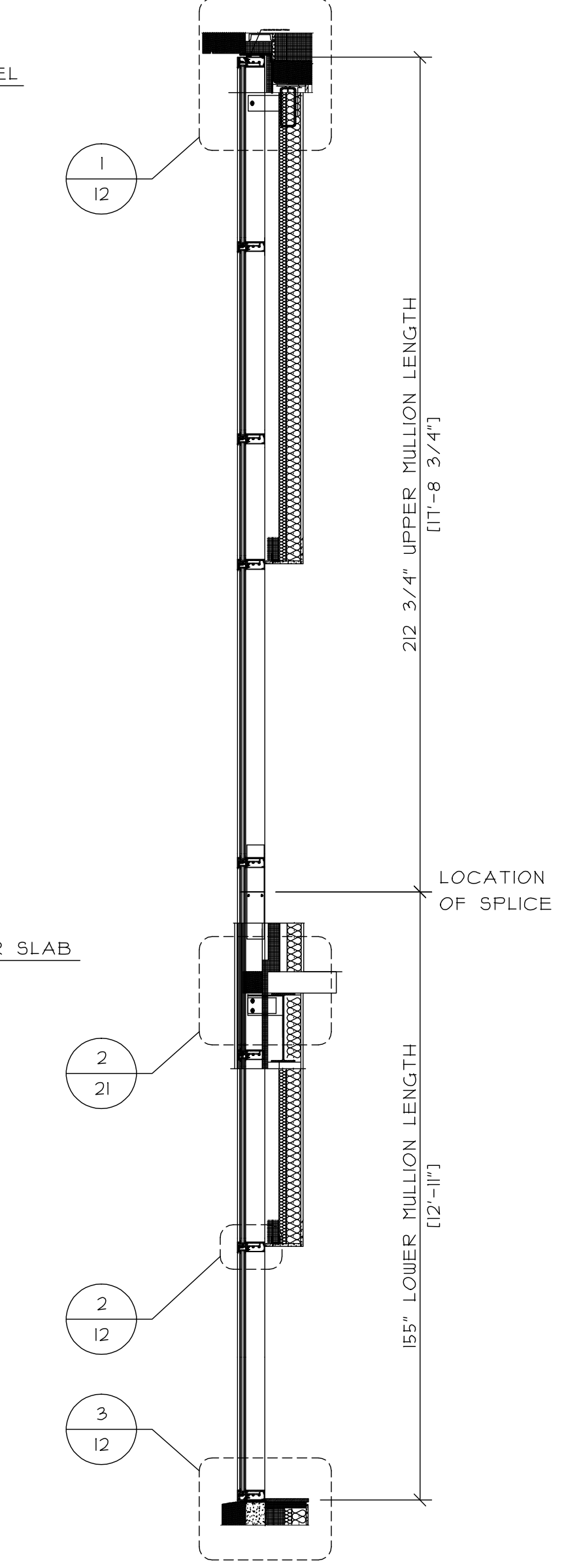


ELEVATION "A.2"
2 TOTAL
EFCO 5900 SERIES

ROOF T.O. STEEL
246'-1"

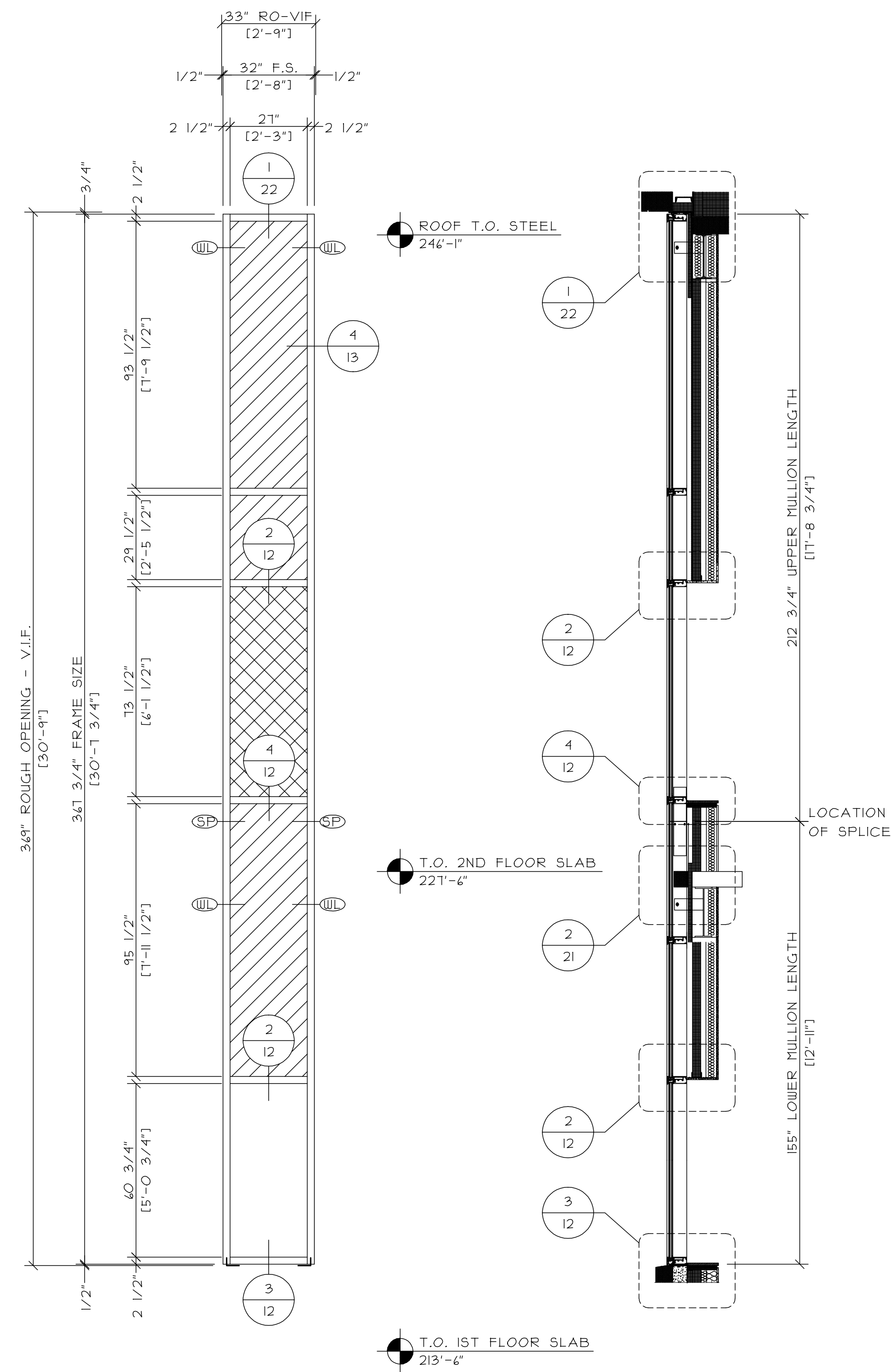
T.O. 2ND FLOOR SLAB
227'-6"

T.O. 1ST FLOOR SLAB
213'-6"

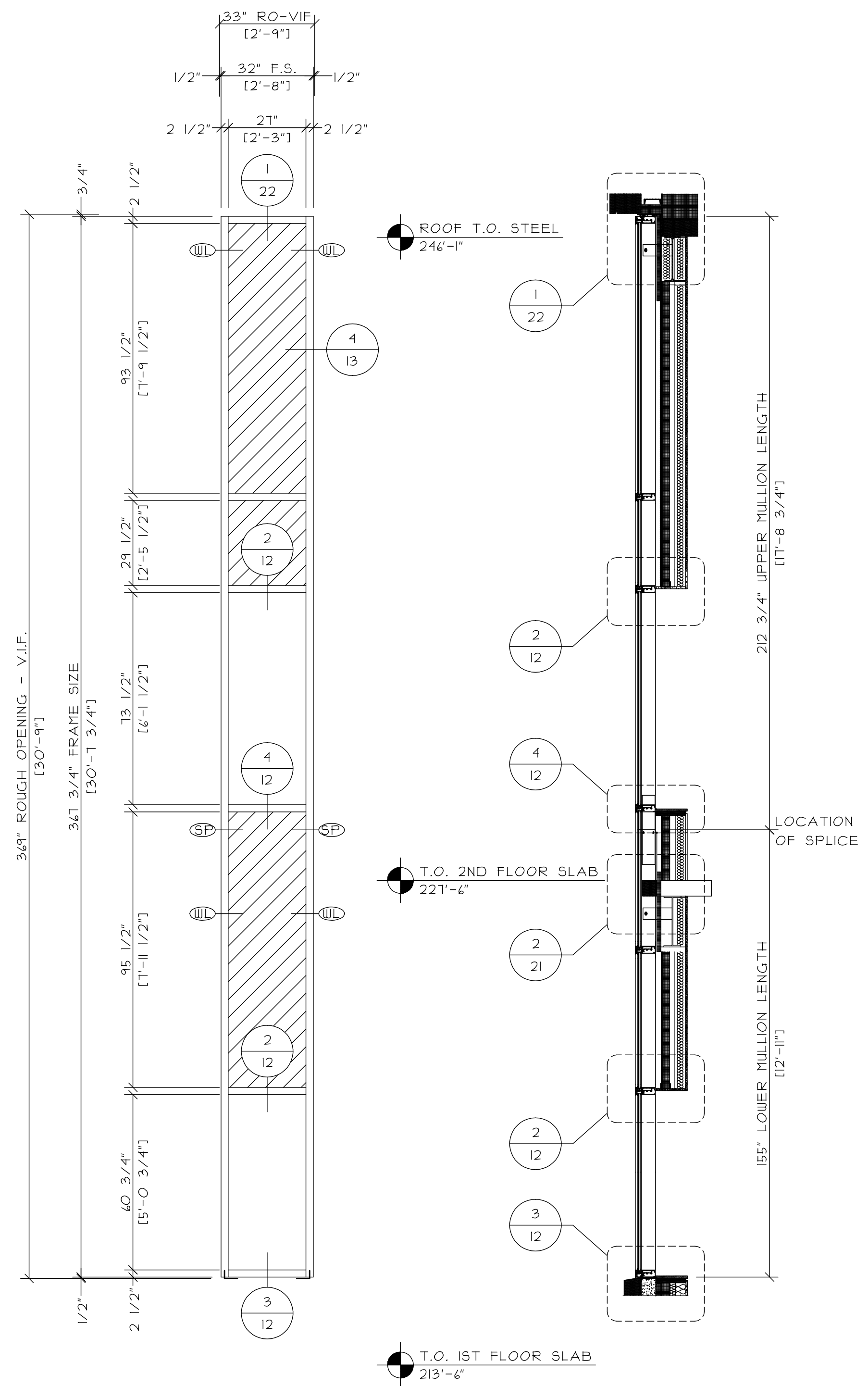


- DENOTES LOCATION OF WIND LOAD CLIP
SEE PAGES 21 AND 22
- DENOTES LOCATION OF SPLICE
SEE DETAILS ON PAGE 23
- DENOTES LOCATIONS OF GLASS TYPE GL-1
- DENOTES LOCATIONS OF GLASS TYPE GL-2
- DENOTES LOCATIONS OF GLASS TYPE GL-3

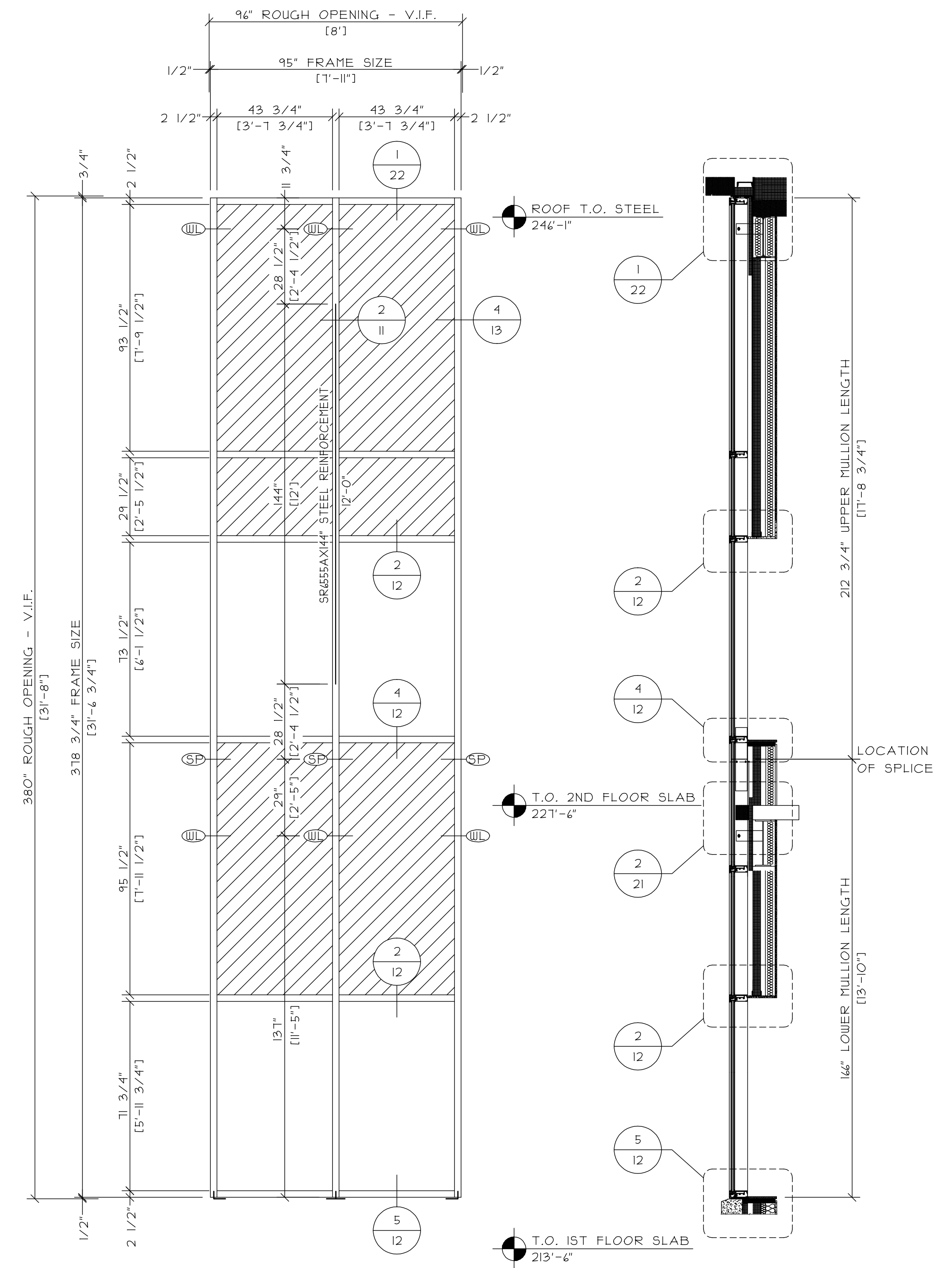
PROJECT:	SAMPLE SAMPLE SAMPLE
LOCATION:	SAMPLE SAMPLE SAMPLE
SCALE:	3/8" = 1'-0"
DATE:	SAMPLE
DRAWN:	SAMPLE
PAGE:	3 of 26
ARCHITECT:	SAMPLE SAMPLE SAMPLE SAMPLE SAMPLE SAMPLE SAMPLE SAMPLE SAMPLE SAMPLE SAMPLE SAMPLE SAMPLE SAMPLE SAMPLE
GLAZING CONTRACTOR:	SAMPLE SAMPLE SAMPLE SAMPLE SAMPLE SAMPLE SAMPLE SAMPLE SAMPLE SAMPLE SAMPLE SAMPLE SAMPLE SAMPLE SAMPLE
REVISIONS:	
DATE:	



ELEVATION "A.1"
8 TOTAL
EFCO 5900 SERIES



ELEVATION "A"
6 TOTAL
EFCO 5900 SERIES



ELEVATION "F"
2 TOTAL
EFCO 5900 SERIES

- DENOTES LOCATION OF WIND LOAD CLIP
SEE PAGES 21 AND 22
- DENOTES LOCATION OF SPLICE
SEE DETAILS ON PAGE 23
- DENOTES LOCATIONS OF GLASS TYPE GL-1
- DENOTES LOCATIONS OF GLASS TYPE GL-2
- DENOTES LOCATIONS OF GLASS TYPE GL-3

REVISIONS:	DATE:

GLAZING CONTRACTOR:
SAMPLE SAMPLE SAMPLE
SAMPLE SAMPLE SAMPLE
SAMPLE SAMPLE SAMPLE
SAMPLE SAMPLE SAMPLE
SAMPLE SAMPLE SAMPLE

ARCHITECT:
SAMPLE SAMPLE SAMPLE
SAMPLE SAMPLE SAMPLE
SAMPLE SAMPLE SAMPLE
SAMPLE SAMPLE SAMPLE
SAMPLE SAMPLE SAMPLE

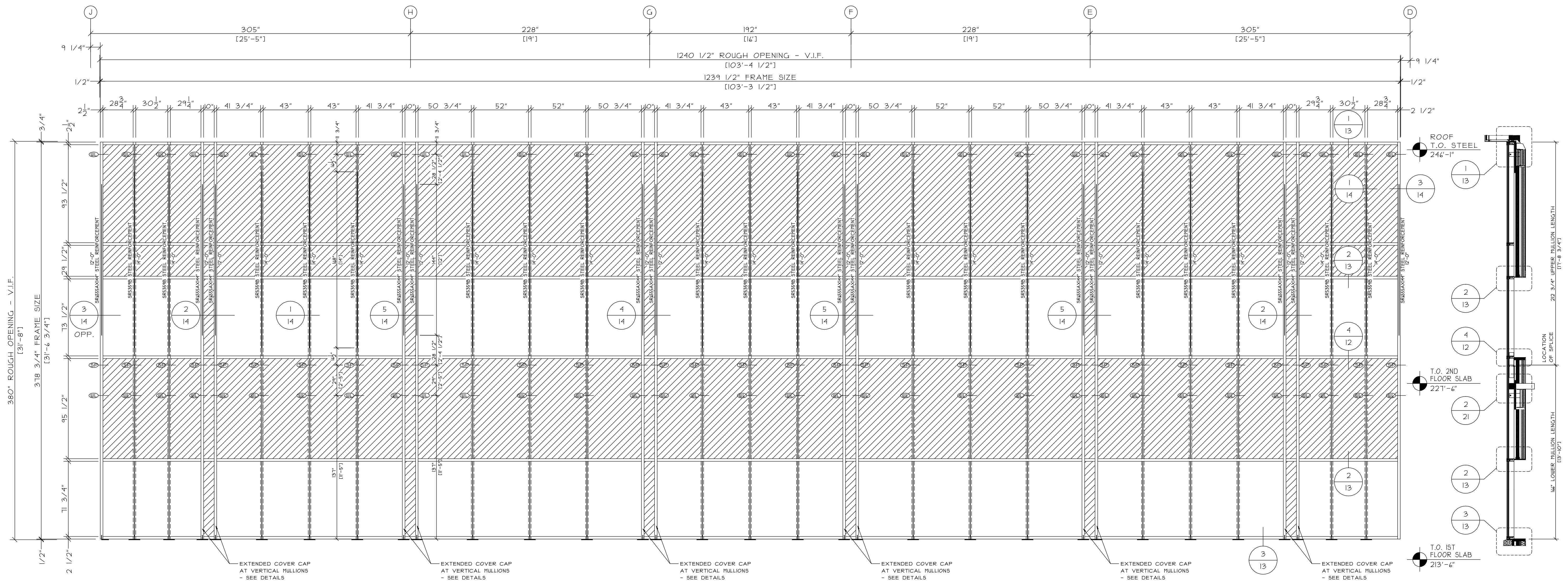
PROJECT: SAMPLE SAMPLE SAMPLE
LOCATION: SAMPLE SAMPLE SAMPLE

SCALE:
3/8" = 1'-0"

DATE:
SAMPLE

DRAWN:
SAMPLE

PAGE:
4 of 26



ELEVATION "D"
 1 TOTAL
 EFCO 5900 SERIES

- DENOTES LOCATION OF WIND LOAD CLIP
SEE PAGES 21 AND 22
- DENOTES LOCATION OF SPLICE
SEE DETAILS ON PAGE 23
- DENOTES LOCATIONS OF GLASS TYPE GL-1
- DENOTES LOCATIONS OF GLASS TYPE GL-2
- DENOTES LOCATIONS OF GLASS TYPE GL-3

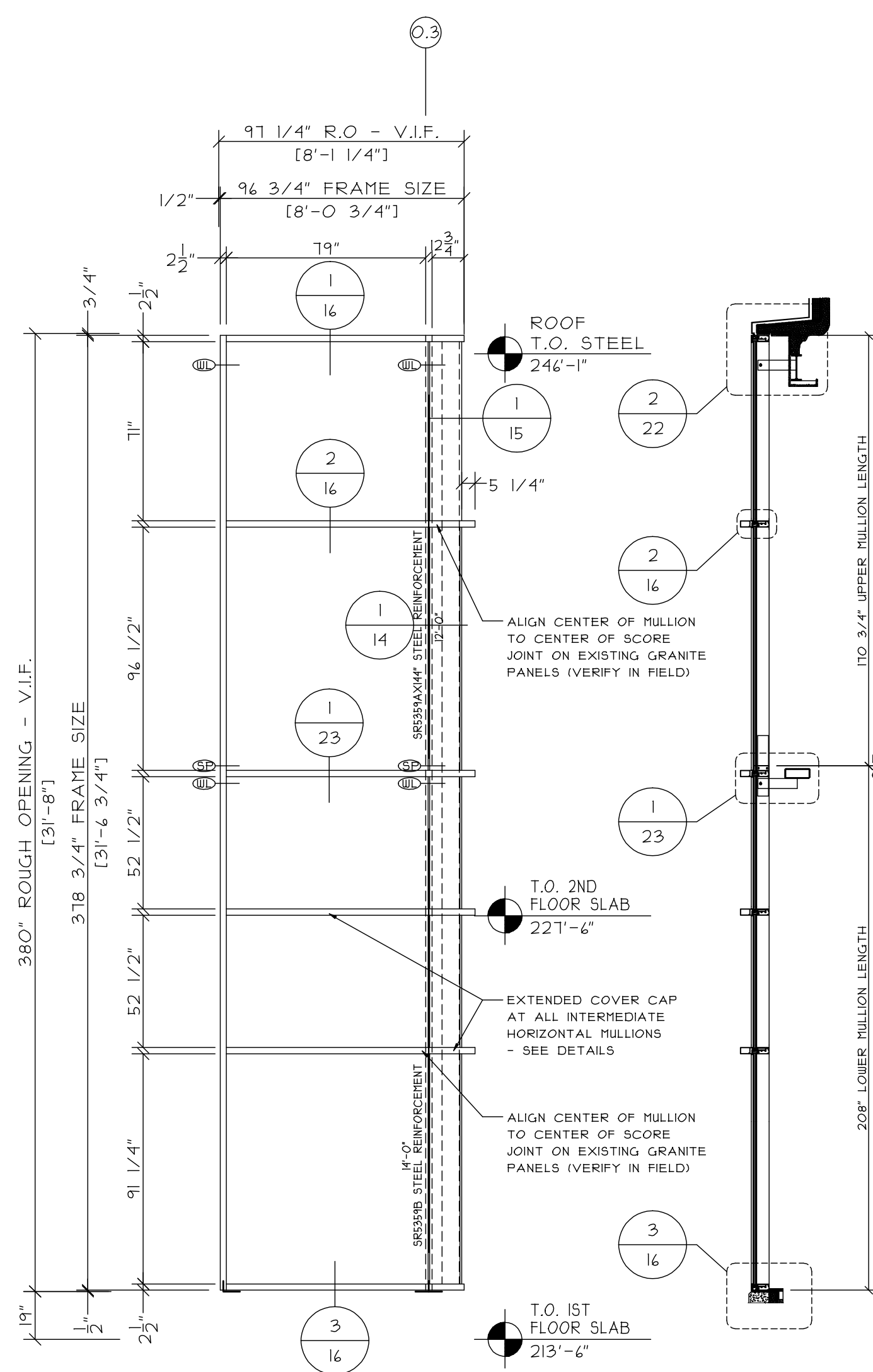
REVISIONS:	DATE:

GLAZING CONTRACTOR:	SAMPLE SAMPLE SAMPLE
	SAMPLE SAMPLE SAMPLE
	SAMPLE SAMPLE SAMPLE
	SAMPLE SAMPLE SAMPLE
	SAMPLE SAMPLE SAMPLE

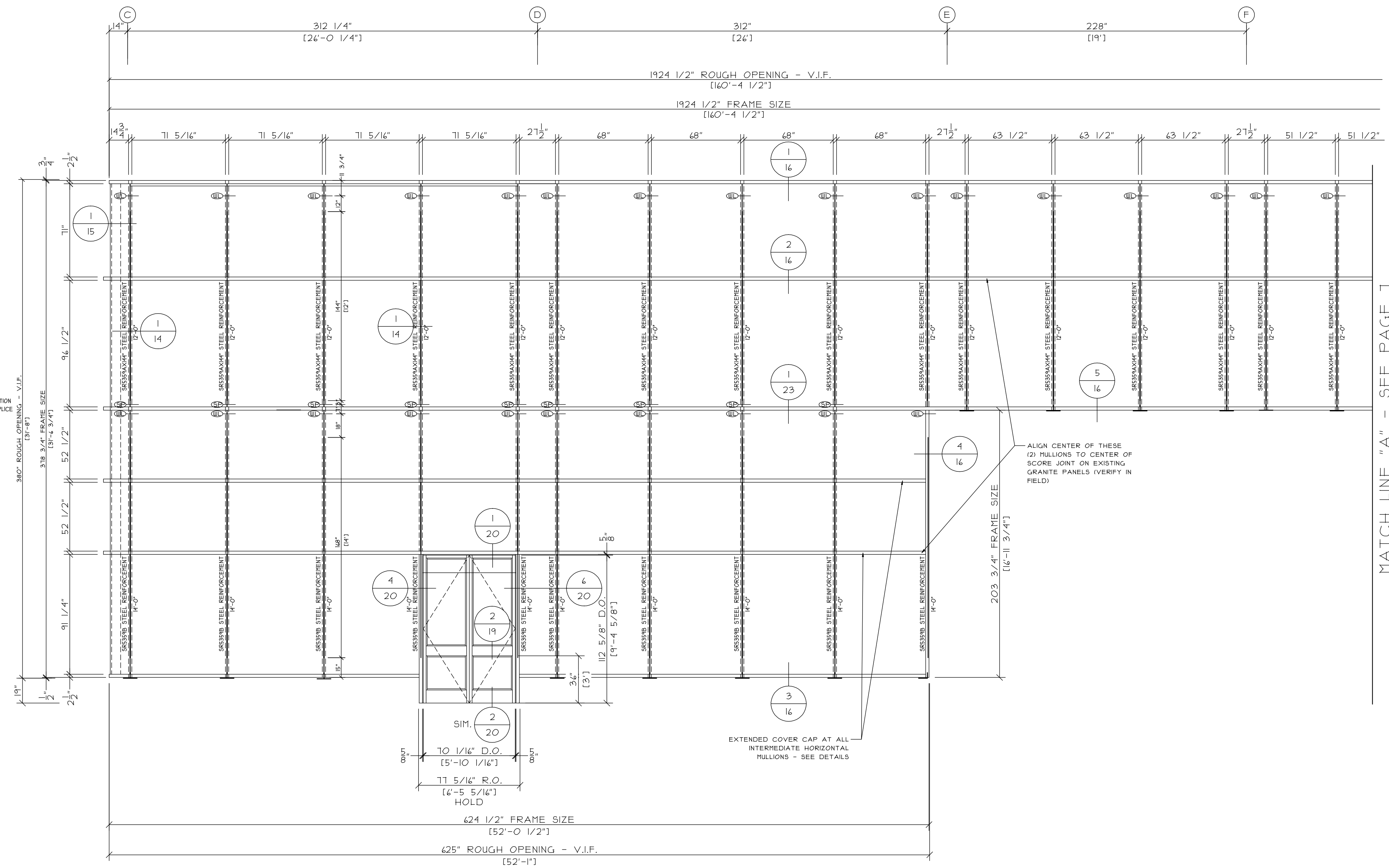
ARCHITECT:	SAMPLE SAMPLE SAMPLE
	SAMPLE SAMPLE SAMPLE
	SAMPLE SAMPLE SAMPLE
	SAMPLE SAMPLE SAMPLE
	SAMPLE SAMPLE SAMPLE

PROJECT:	SAMPLE SAMPLE SAMPLE
LOCATION:	SAMPLE SAMPLE SAMPLE

SCALE:	1/4" = 1'-0"
DATE:	SAMPLE
DRAWN:	SAMPLE
PAGE:	5 of 26



ELEVATION "I"
1 TOTAL
EFCO 5900 SERIES



ELEVATION "H" (LEFT SIDE)
1 TOTAL
EFCO 5900 SERIES WITH
D200 SERIES DOORS
DOOR #100D2

MATCH LINE "A" - SEE PAGE 7

- DENOTES LOCATION OF WIND LOAD CLIP
SEE PAGES 21 AND 22
- DENOTES LOCATION OF SPLICE
SEE DETAILS ON PAGE 23
- DENOTES LOCATIONS OF GLASS TYPE GL-1
- DENOTES LOCATIONS OF GLASS TYPE GL-2
- DENOTES LOCATIONS OF GLASS TYPE GL-3

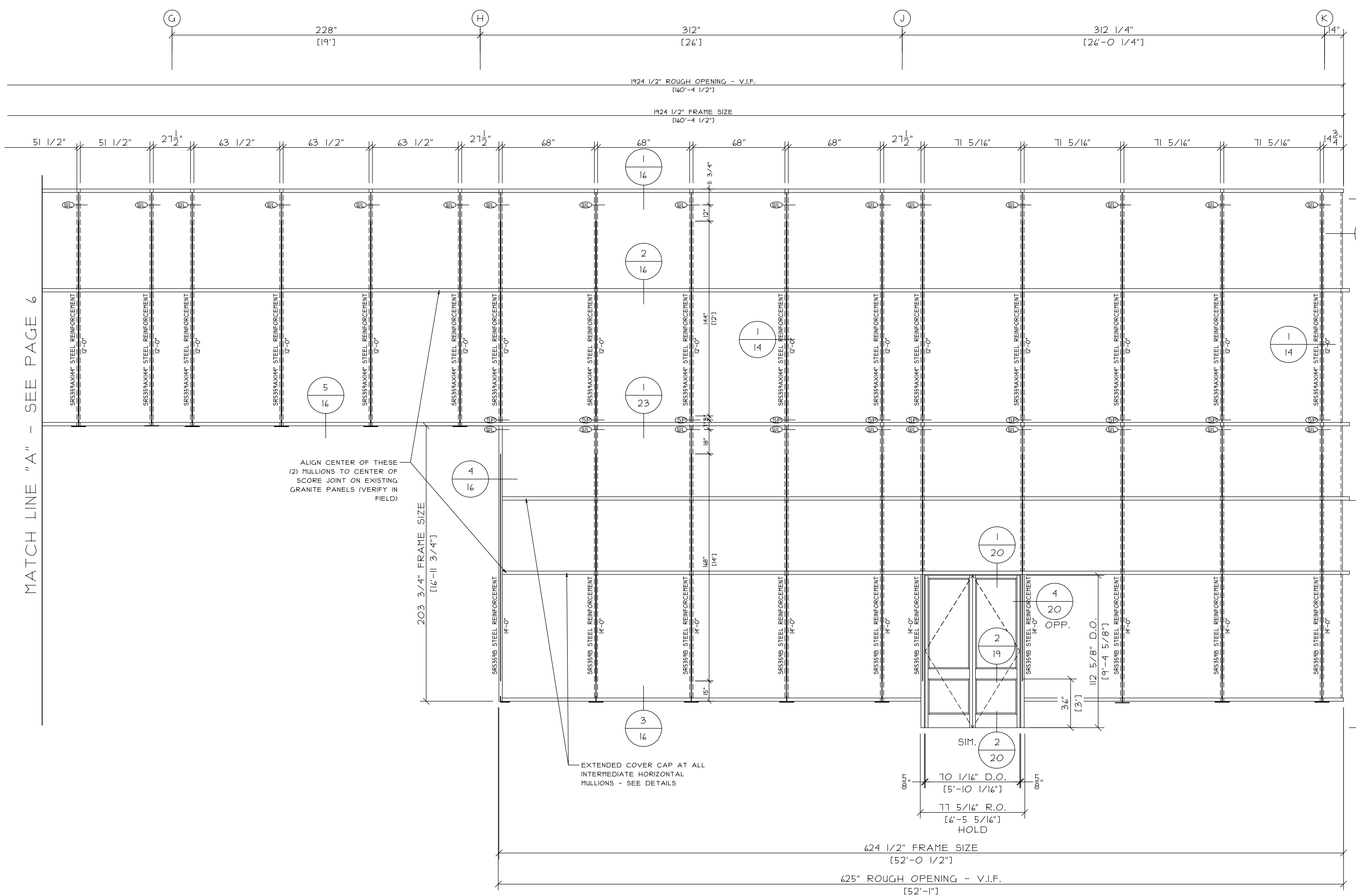
REVISIONS:	DATE:

GLAZING CONTRACTOR:	ARCHITECT:
SAMPLE SAMPLE SAMPLE	SAMPLE SAMPLE SAMPLE
SAMPLE SAMPLE SAMPLE	SAMPLE SAMPLE SAMPLE
SAMPLE SAMPLE SAMPLE	SAMPLE SAMPLE SAMPLE
SAMPLE SAMPLE SAMPLE	SAMPLE SAMPLE SAMPLE
SAMPLE SAMPLE SAMPLE	SAMPLE SAMPLE SAMPLE

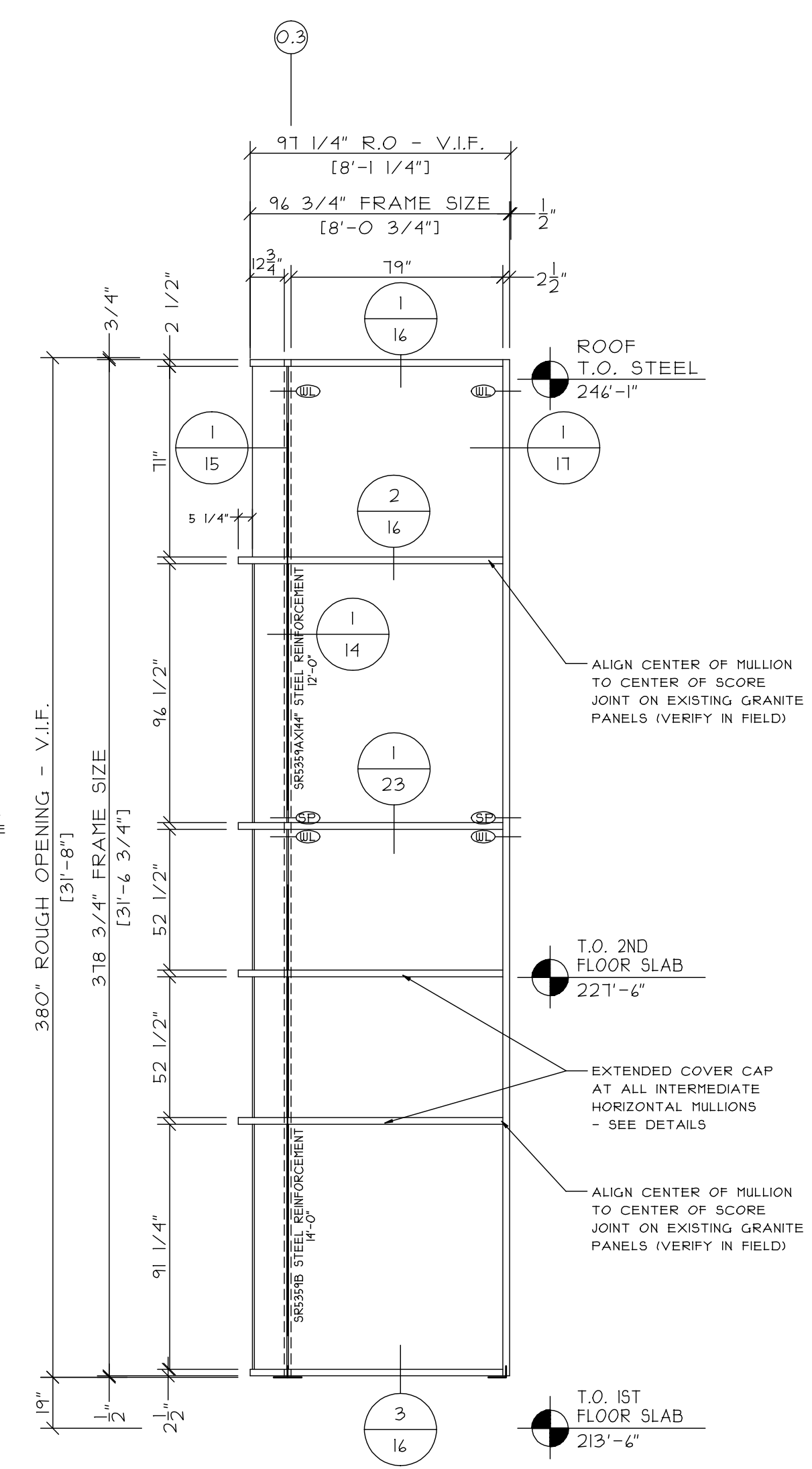
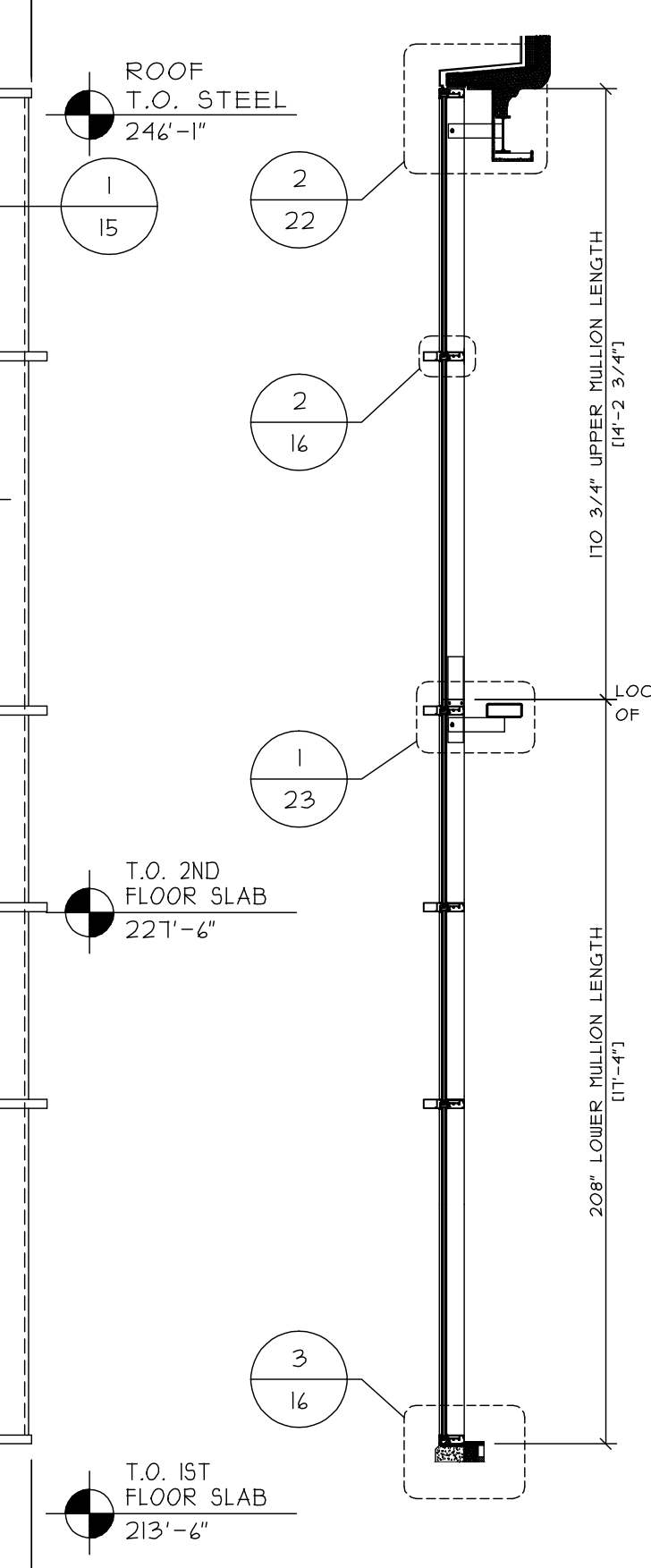
PROJECT:	LOCATION:
SAMPLE SAMPLE SAMPLE	SAMPLE SAMPLE SAMPLE
SAMPLE SAMPLE SAMPLE	SAMPLE SAMPLE SAMPLE
SAMPLE SAMPLE SAMPLE	SAMPLE SAMPLE SAMPLE
SAMPLE SAMPLE SAMPLE	SAMPLE SAMPLE SAMPLE
SAMPLE SAMPLE SAMPLE	SAMPLE SAMPLE SAMPLE

SCALE:	DATE:
1/4" = 1'-0"	SAMPLE

DRAWN:	PAGE:
SAMPLE	6 of 26



ELEVATION "H" (RIGHT SIDE)
 1 TOTAL
 EFCO 5900 SERIES WITH
 D200 SERIES DOORS
 DOOR #100C2



ELEVATION "G"
 1 TOTAL
 EFCO 5900 SERIES

- DENOTES LOCATION OF WIND LOAD CLIP
SEE PAGES 21 AND 22
- DENOTES LOCATION OF SPLICE
SEE DETAILS ON PAGE 23
- DENOTES LOCATIONS OF GLASS TYPE GL-1
- DENOTES LOCATIONS OF GLASS TYPE GL-2
- DENOTES LOCATIONS OF GLASS TYPE GL-3

MATCH LINE "A" - SEE PAGE 6

REVISIONS:	DATE:

GLAZING CONTRACTOR:	SAMPLE SAMPLE SAMPLE
	SAMPLE SAMPLE SAMPLE
	SAMPLE SAMPLE SAMPLE
	SAMPLE SAMPLE SAMPLE
	SAMPLE SAMPLE SAMPLE

ARCHITECT:	SAMPLE SAMPLE SAMPLE
	SAMPLE SAMPLE SAMPLE
	SAMPLE SAMPLE SAMPLE
	SAMPLE SAMPLE SAMPLE
	SAMPLE SAMPLE SAMPLE

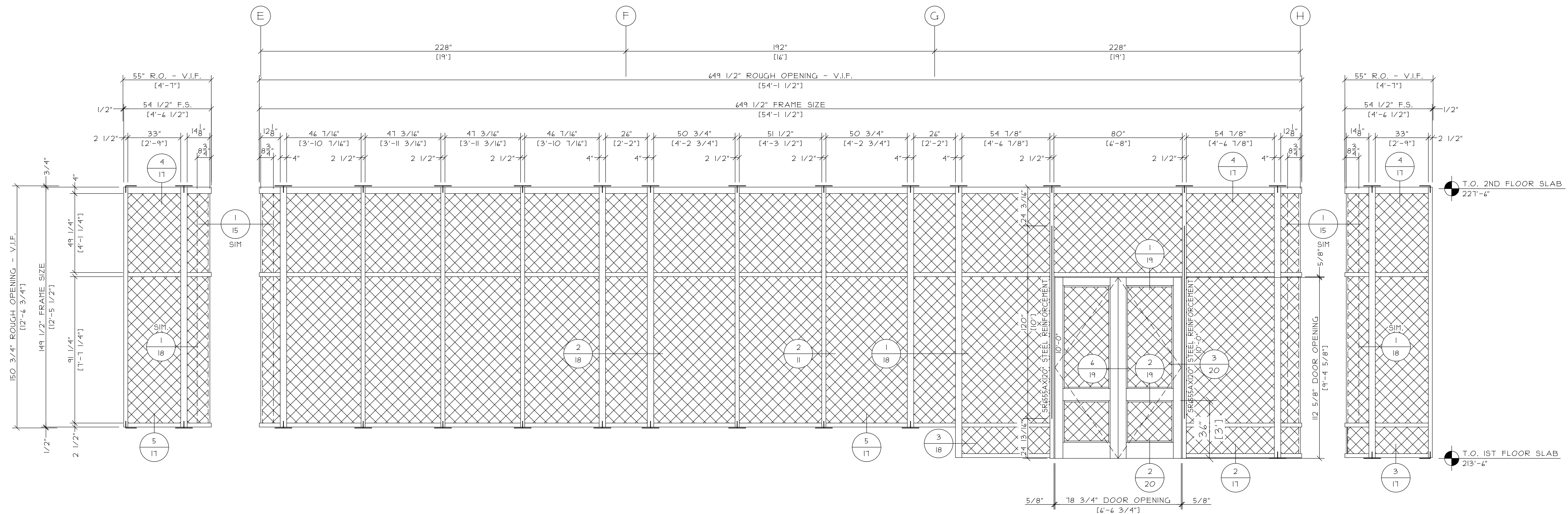
PROJECT:	SAMPLE SAMPLE SAMPLE
LOCATION:	SAMPLE SAMPLE SAMPLE

SCALE:
 1/4" = 1'-0"

DATE:
 SAMPLE

DRAWN:
 SAMPLE

PAGE:
 7 of 26



ELEVATION "K.I"
 1 TOTAL
 EFCO 5900 SERIES

ELEVATION "J"
 1 TOTAL
 EFCO 5900 SERIES WITH
 D500 SERIES DOORS
 DOOR #104

ELEVATION "K"
 1 TOTAL
 EFCO 5900 SERIES

- DENOTES LOCATION OF WIND LOAD CLIP
SEE PAGES 21 AND 22
- DENOTES LOCATION OF SPLICE
SEE DETAILS ON PAGE 23
- DENOTES LOCATIONS OF GLASS TYPE GL-1
- DENOTES LOCATIONS OF GLASS TYPE GL-2
- DENOTES LOCATIONS OF GLASS TYPE GL-3

REVISIONS:	DATE:

GLAZING CONTRACTOR:	SAMPLE	SAMPLE	SAMPLE	SAMPLE	SAMPLE

ARCHITECT:	SAMPLE	SAMPLE	SAMPLE	SAMPLE	SAMPLE

PROJECT:	SAMPLE	SAMPLE	SAMPLE	SAMPLE

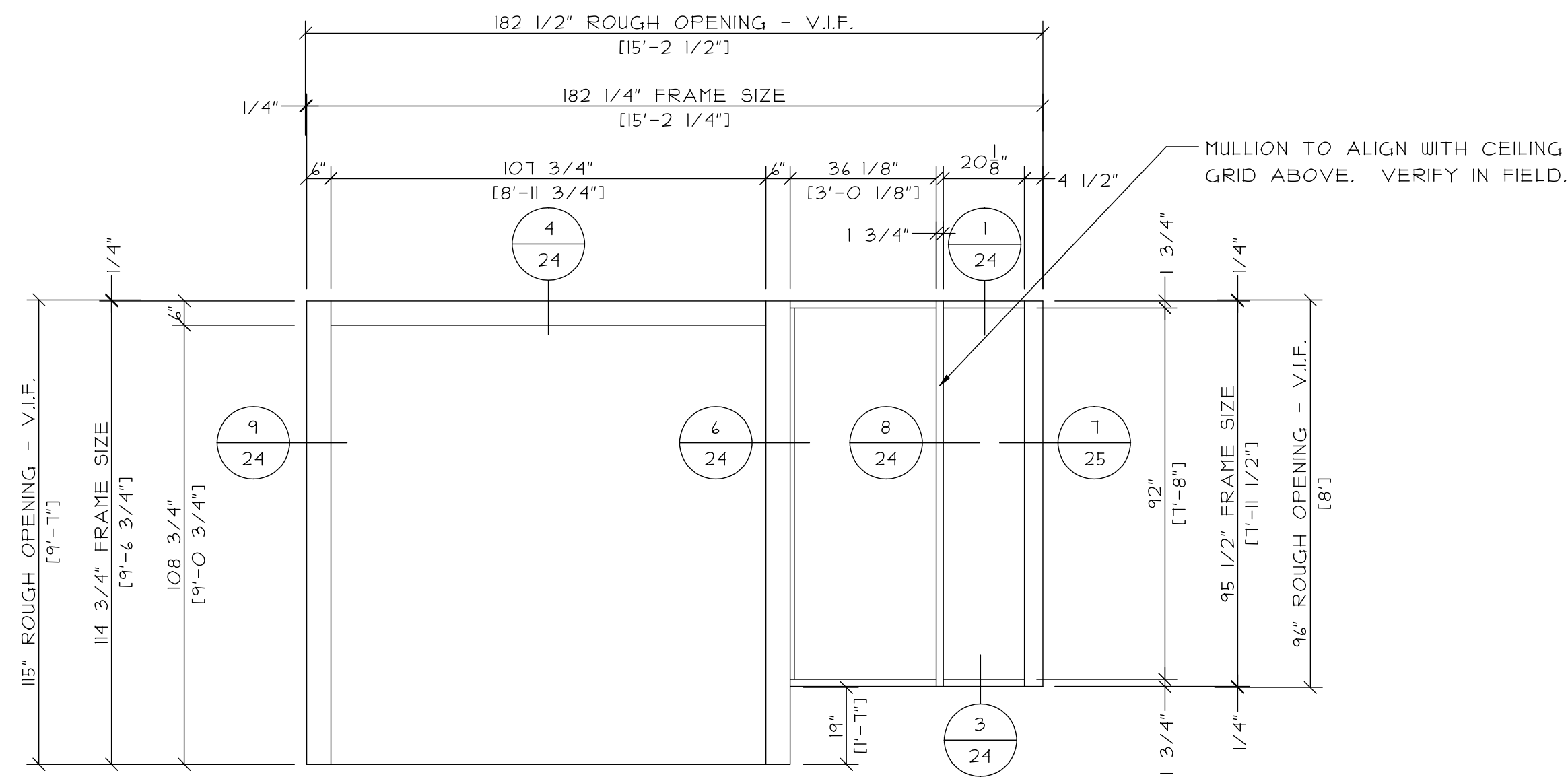
LOCATION:	SAMPLE	SAMPLE	SAMPLE	SAMPLE

SCALE:
 3/8" = 1'-0"

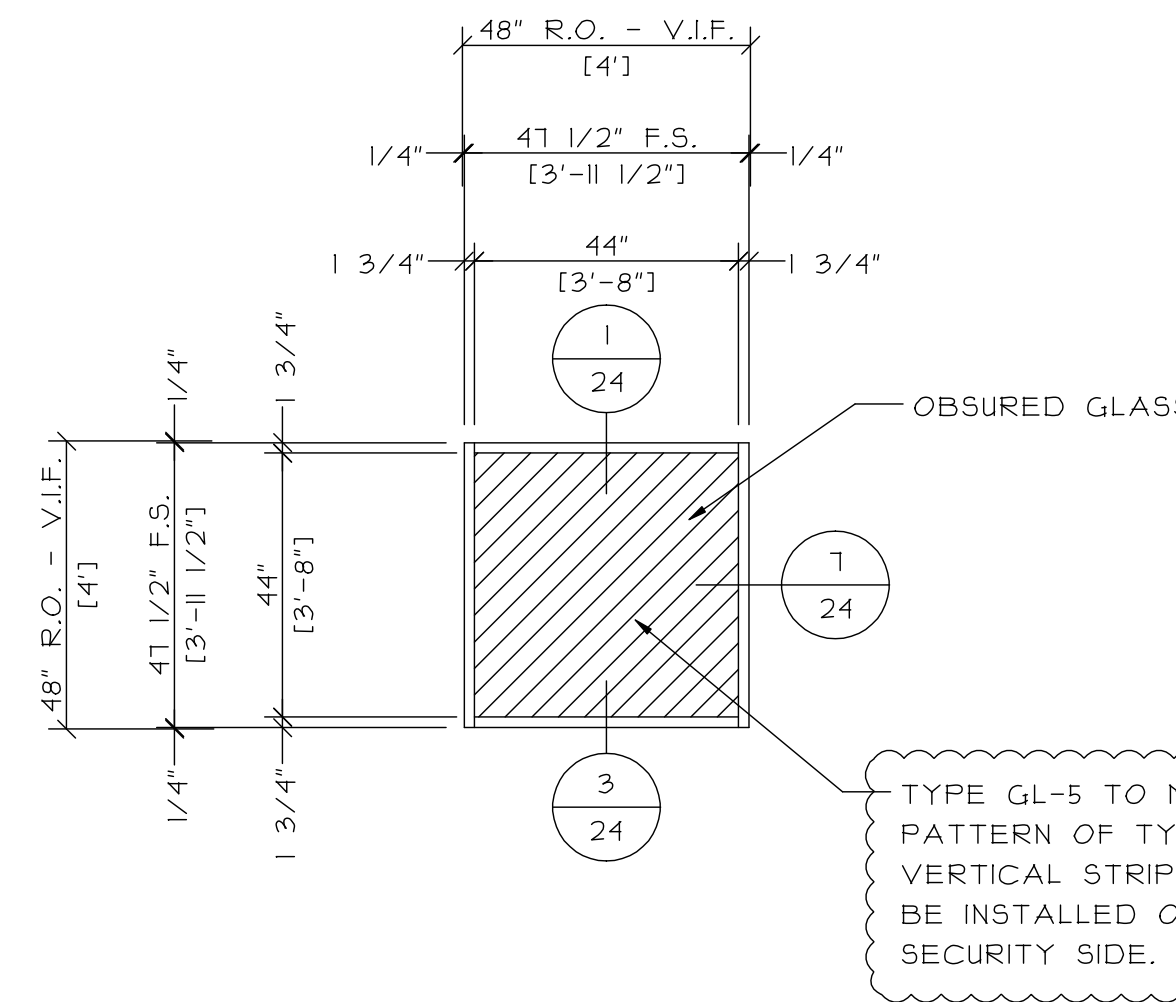
DATE:
 SAMPLE

DRAWN:
 SAMPLE

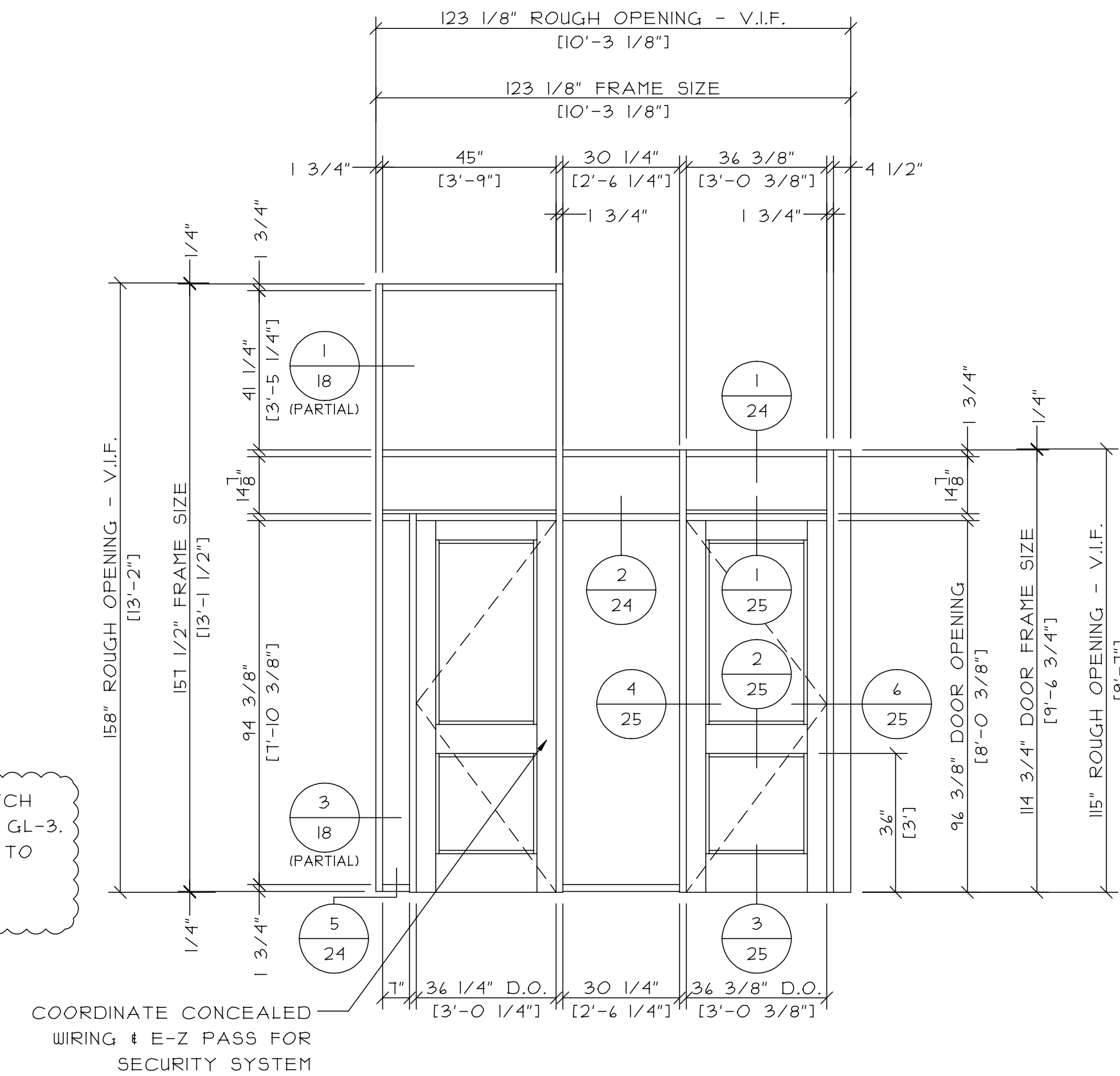
PAGE:
 8 of 26



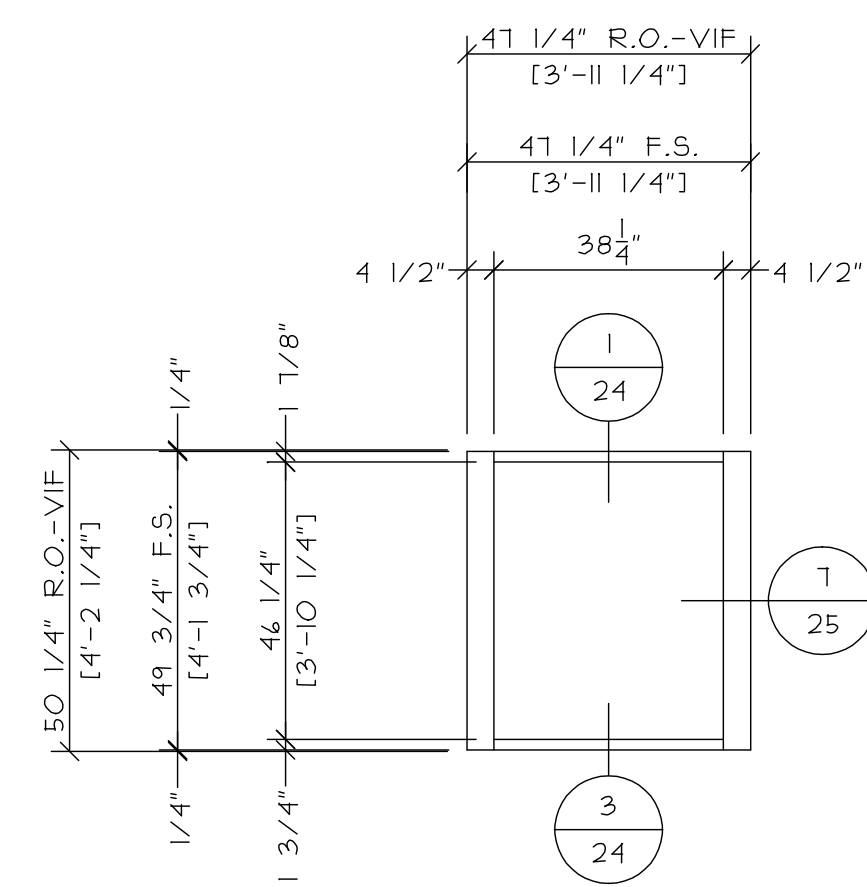
ELEVATION "R"
 1 TOTAL
 SERIES 40I STOREFRONT
 TYPE GL-4 GLASS



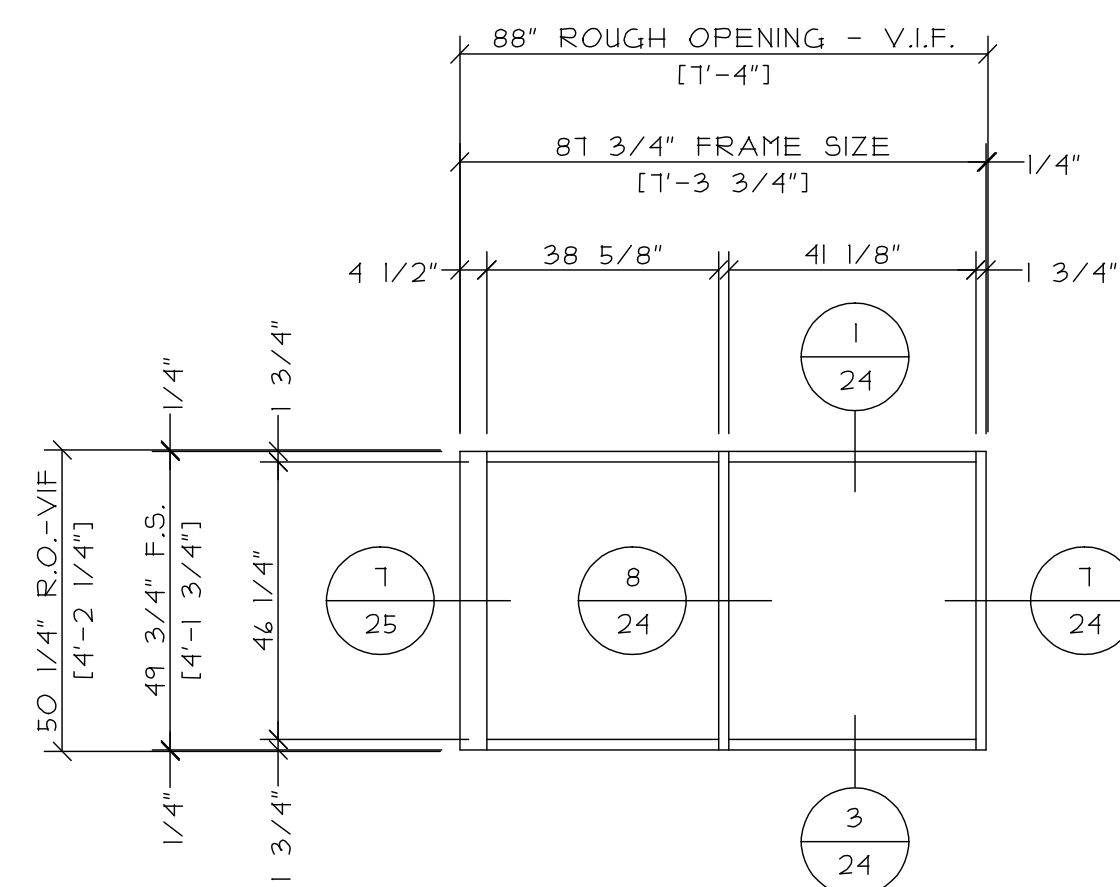
ELEVATION "Q"
 2 TOTAL
 SERIES 40I STOREFRONT
 TYPE GL-5 GLASS



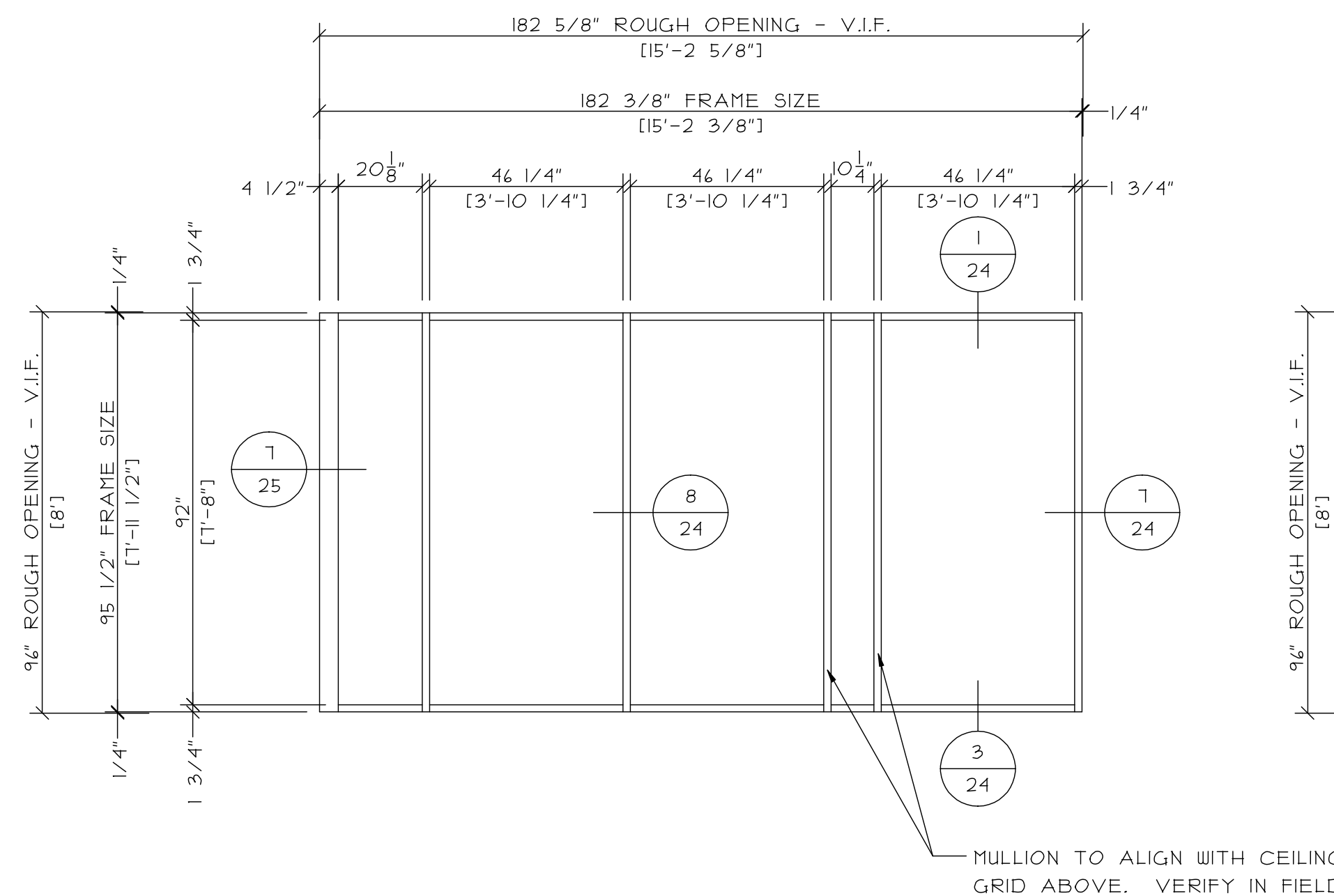
ELEVATION "P"
 1 TOTAL
 SERIES 40I STOREFRONT
 WITH D500 DOORS
 DOORS #105A & #105B
 TYPE GL-4 GLASS



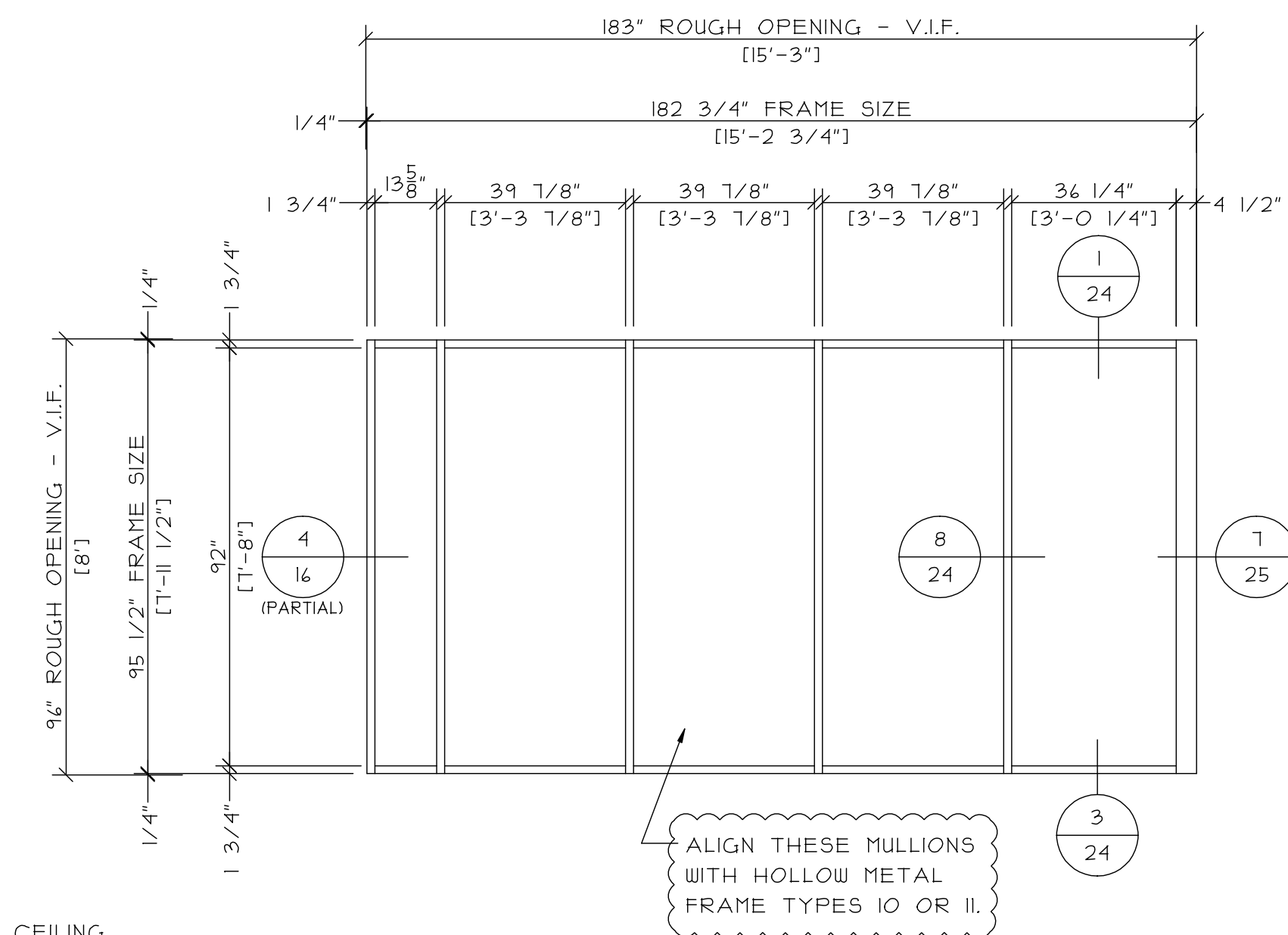
ELEVATION "O"
 1 TOTAL
 SERIES 40I STOREFRONT
 TYPE GL-4 GLASS



ELEVATION "N"
 1 TOTAL
 SERIES 40I STOREFRONT
 TYPE GL-4 GLASS



ELEVATION "M"
 1 TOTAL
 SERIES 40I STOREFRONT
 TYPE GL-4 GLASS



ELEVATION "L"
 2 TOTAL
 SERIES 40I STOREFRONT
 TYPE GL-4 GLASS

REVISIONS:

GLAZING CONTRACTOR:

SAMPLE	SAMPLE	SAMPLE
SAMPLE	SAMPLE	SAMPLE
SAMPLE	SAMPLE	SAMPLE
SAMPLE	SAMPLE	SAMPLE
SAMPLE	SAMPLE	SAMPLE

ARCHITECT:

SAMPLE	SAMPLE	SAMPLE
SAMPLE	SAMPLE	SAMPLE
SAMPLE	SAMPLE	SAMPLE
SAMPLE	SAMPLE	SAMPLE
SAMPLE	SAMPLE	SAMPLE

PROJECT: SAMPLE SAMPLE SAMPLE

LOCATION: SAMPLE SAMPLE SAMPLE

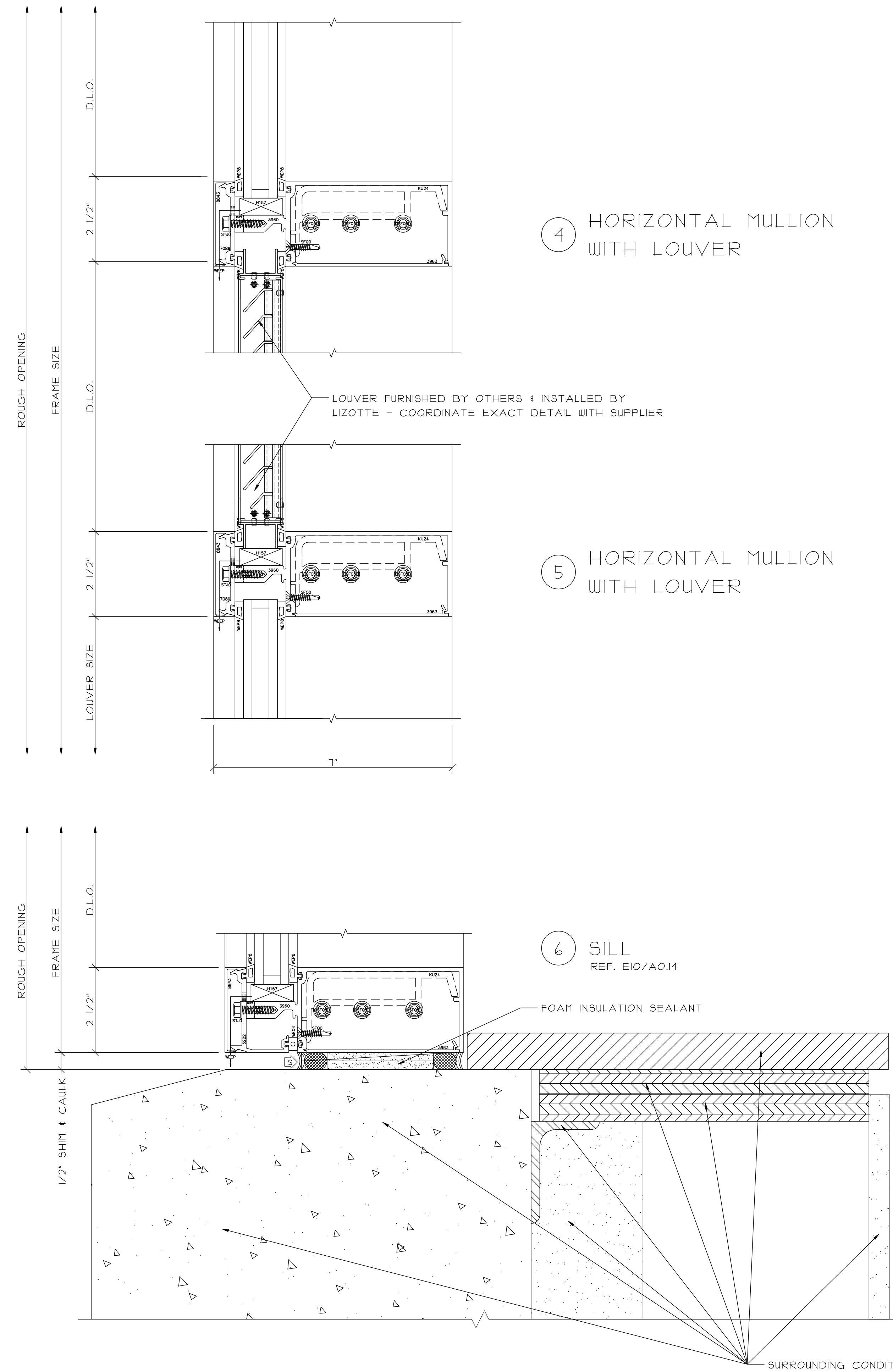
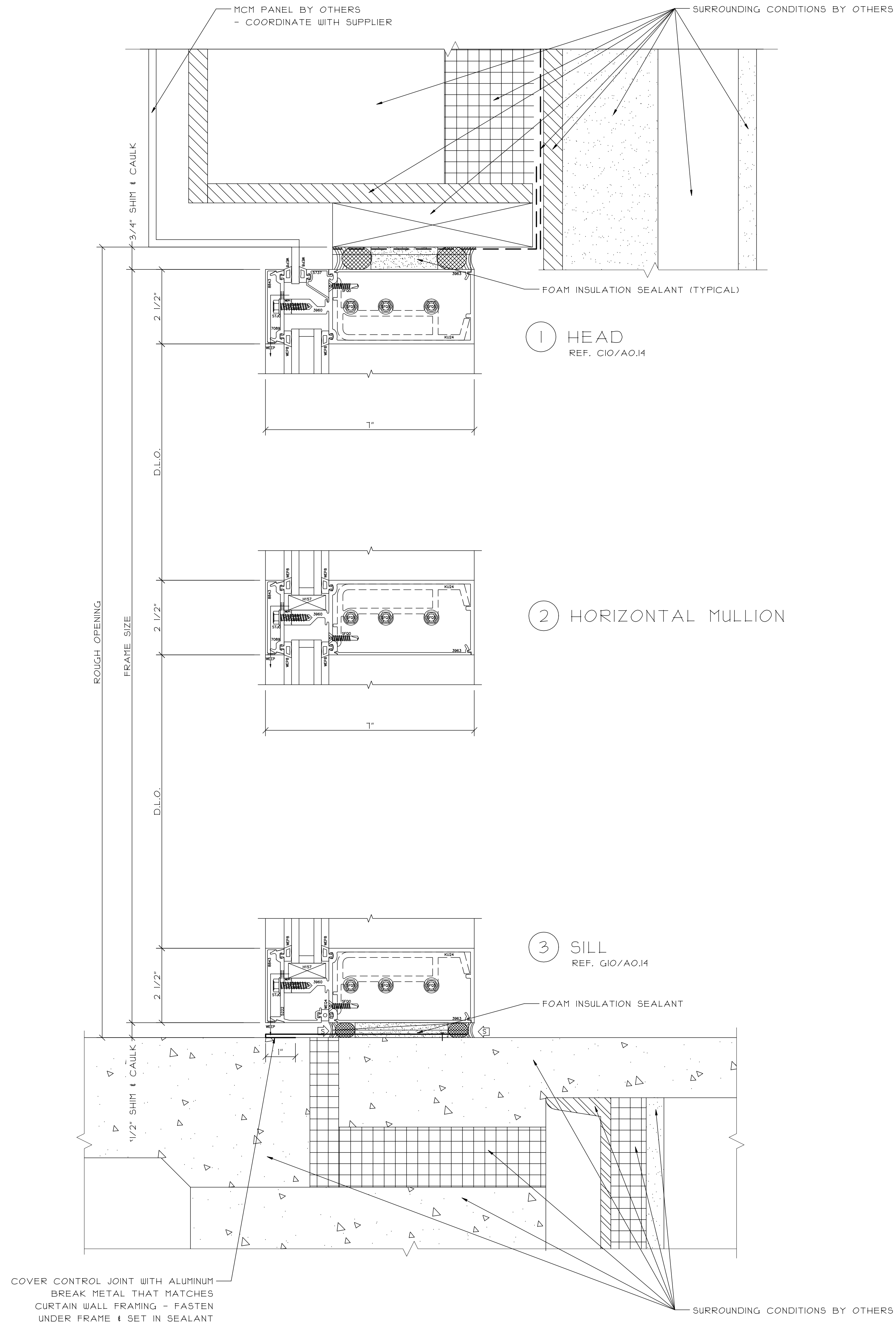
SCALE:
 3/8" = 1'-0"

DATE:
 SAMPLE

DRAWN:
 SAMPLE

PAGE:
 9 of 26

DATE:



REVISIONS:

DATE:

GLAZING CONTRACTOR:

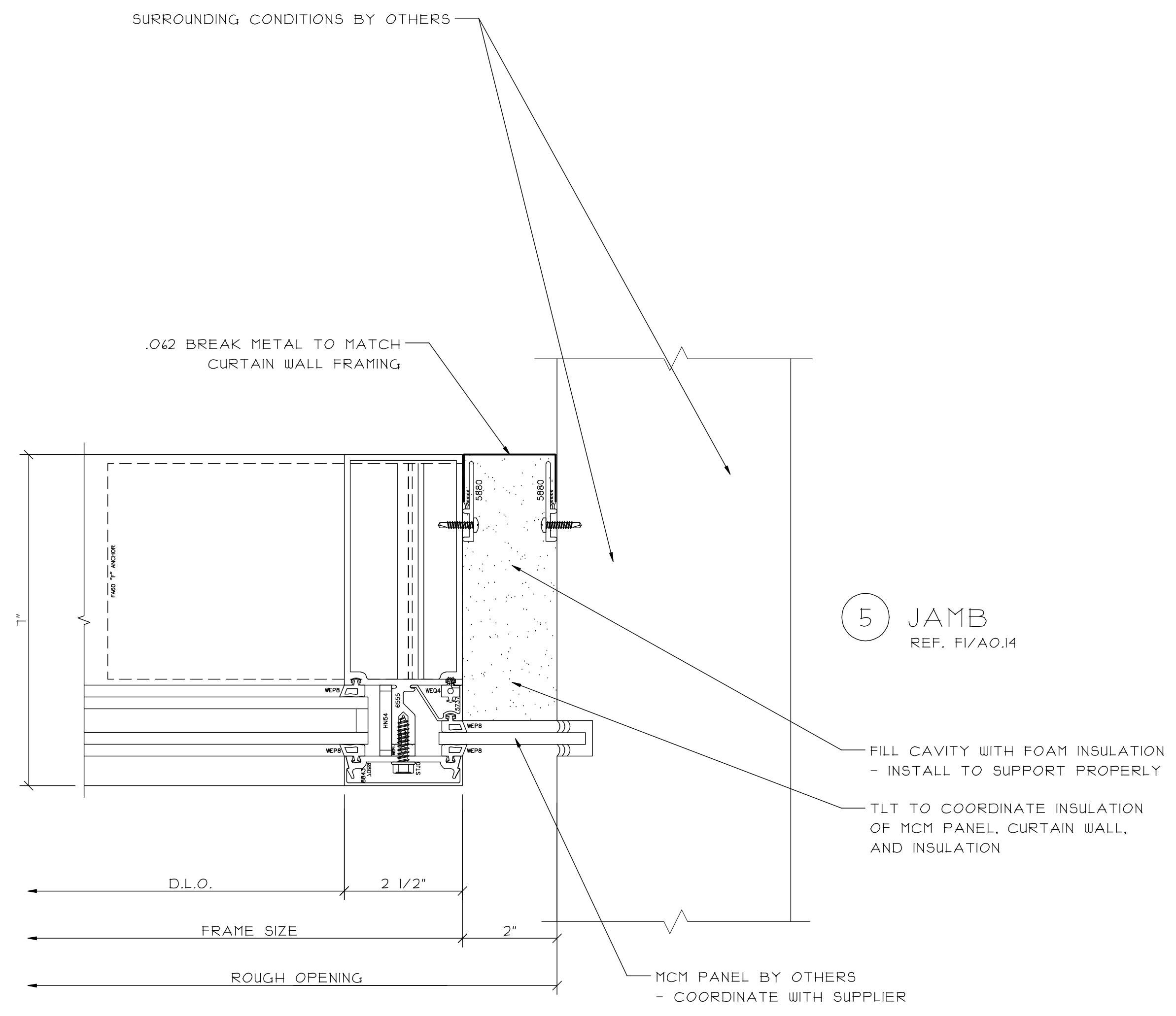
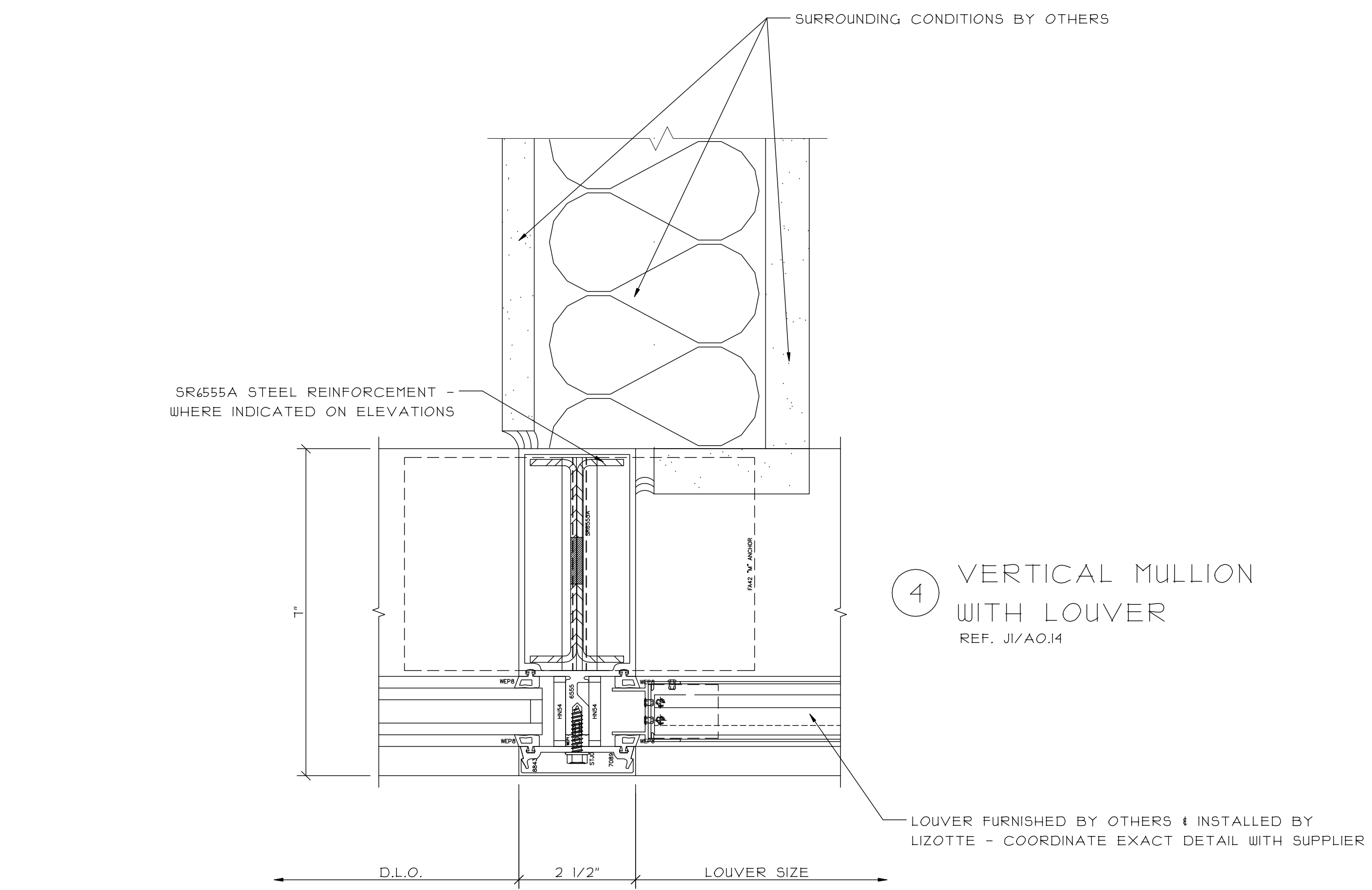
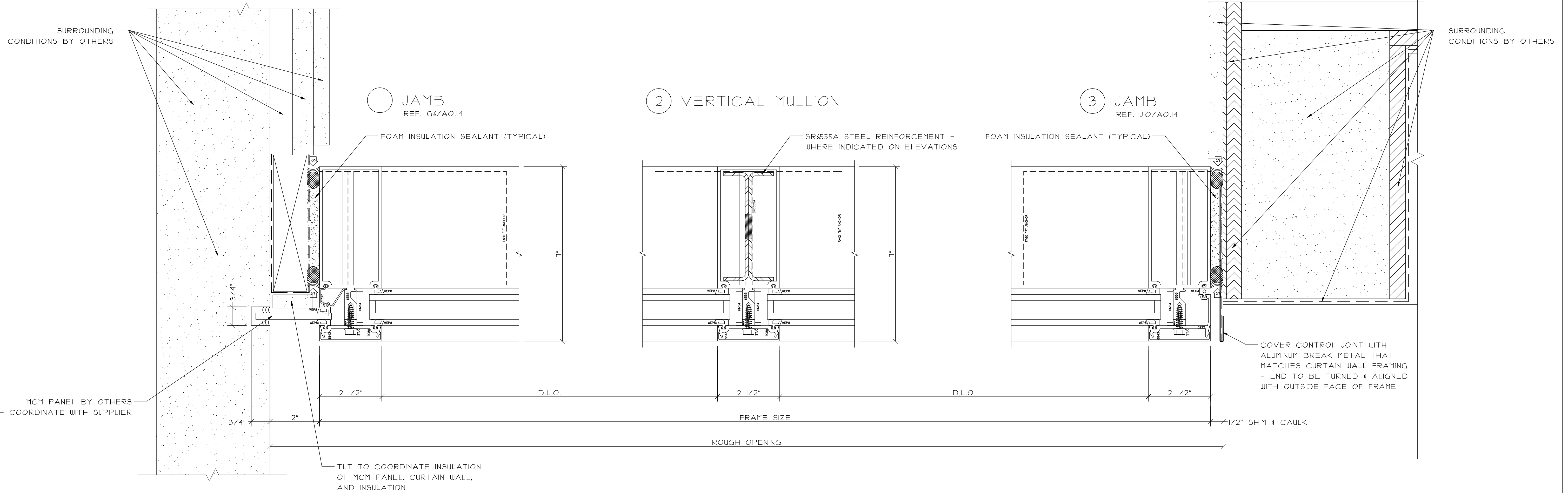
SAMPLE	SAMPLE	SAMPLE
SAMPLE	SAMPLE	SAMPLE
SAMPLE	SAMPLE	SAMPLE
SAMPLE	SAMPLE	SAMPLE
SAMPLE	SAMPLE	SAMPLE

ARCHITECT:

SAMPLE	SAMPLE	SAMPLE
SAMPLE	SAMPLE	SAMPLE
SAMPLE	SAMPLE	SAMPLE
SAMPLE	SAMPLE	SAMPLE
SAMPLE	SAMPLE	SAMPLE

PROJECT: SAMPLE SAMPLE SAMPLE

LOCATION: SAMPLE SAMPLE SAMPLE



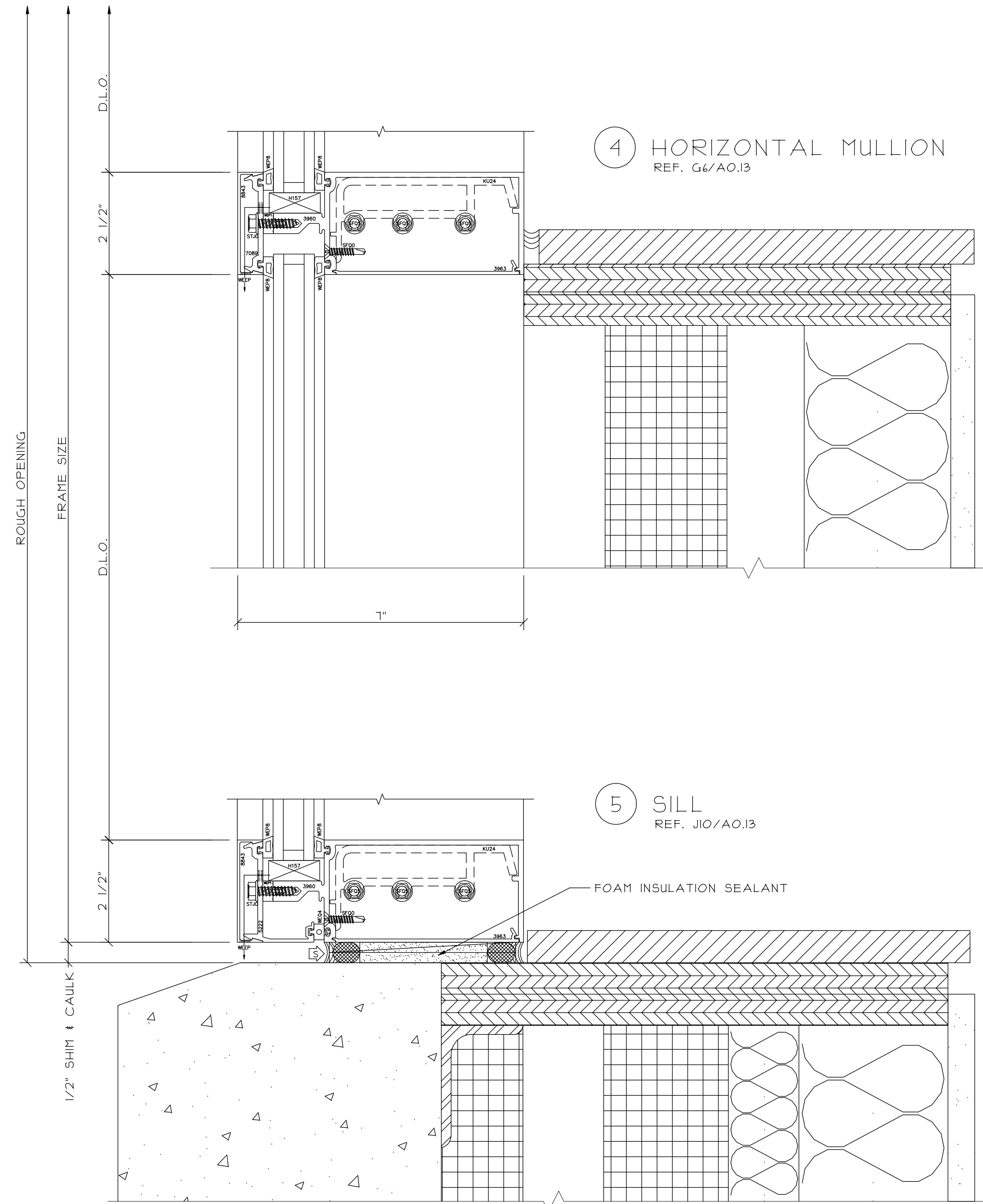
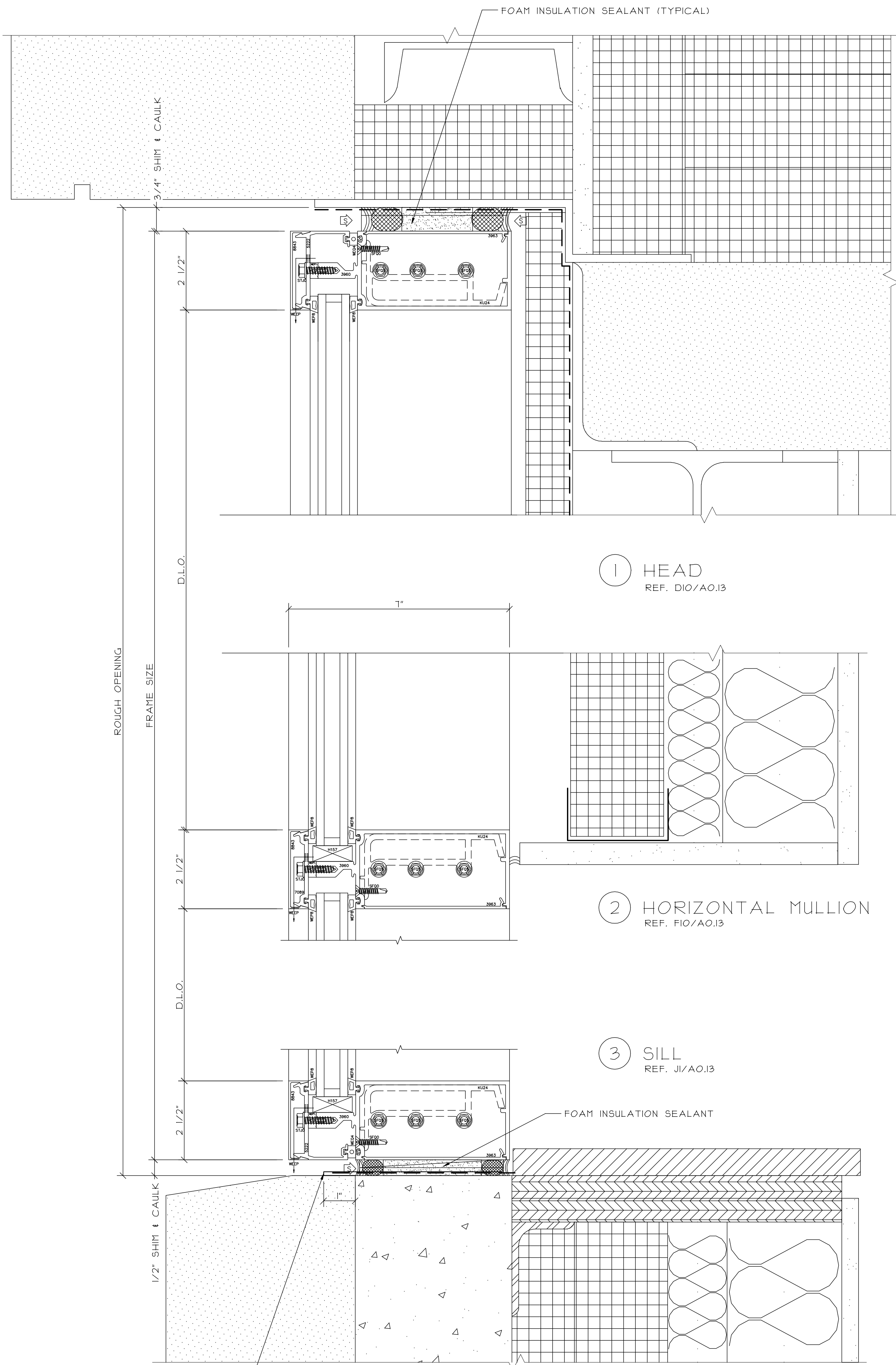
DATE:	
REVISIONS:	

GLAZING CONTRACTOR:	SAMPLE
	SAMPLE
	SAMPLE
	SAMPLE
	SAMPLE

ARCHITECT:	SAMPLE
	SAMPLE
	SAMPLE
	SAMPLE
	SAMPLE

PROJECT:	SAMPLE
	SAMPLE
	SAMPLE
	SAMPLE
LOCATION:	SAMPLE
	SAMPLE
	SAMPLE

SCALE:	6" = 1'-0"
DATE:	SAMPLE
DRAWN:	SAMPLE
PAGE:	11 of 26



REVISIONS:	DATE:

GLAZING CONTRACTOR:	SAMPLE	SAMPLE	SAMPLE
	SAMPLE	SAMPLE	SAMPLE
	SAMPLE	SAMPLE	SAMPLE
	SAMPLE	SAMPLE	SAMPLE
	SAMPLE	SAMPLE	SAMPLE

ARCHITECT:	SAMPLE	SAMPLE	SAMPLE
	SAMPLE	SAMPLE	SAMPLE
	SAMPLE	SAMPLE	SAMPLE
	SAMPLE	SAMPLE	SAMPLE
	SAMPLE	SAMPLE	SAMPLE

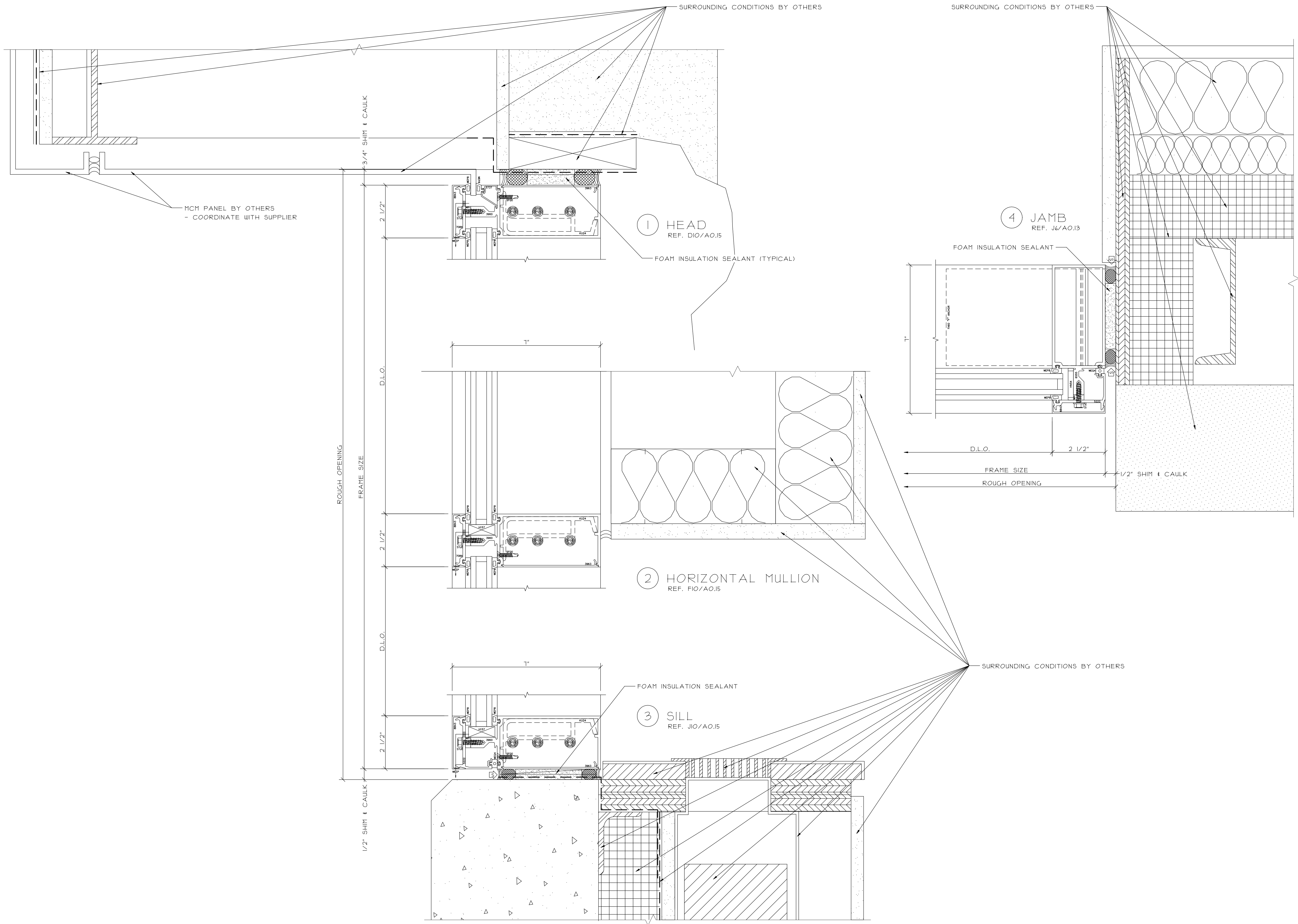
PROJECT:	SAMPLE	SAMPLE	SAMPLE
LOCATION:	SAMPLE	SAMPLE	SAMPLE

SCALE:
6" = 1'-0"

DATE:
SAMPLE

DRAWN:
SAMPLE

PAGE:
12 of 26



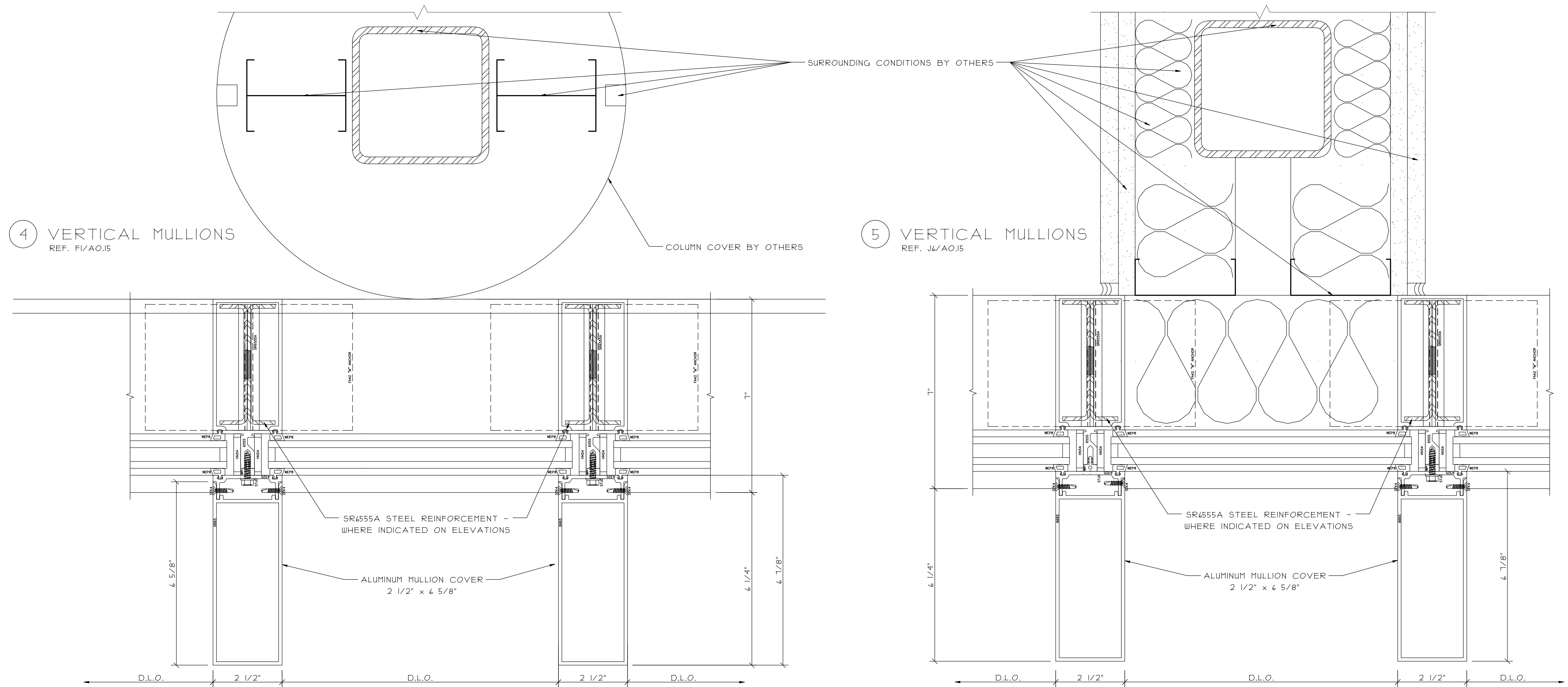
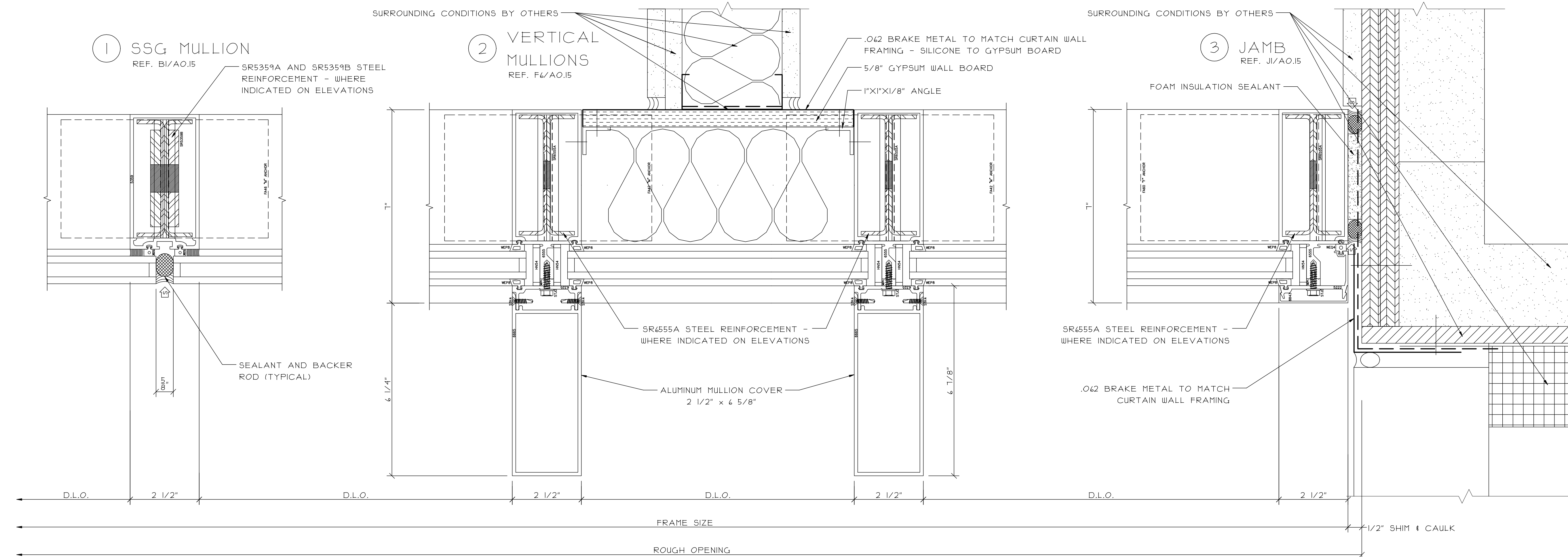
REVISIONS:	DATE:

GLAZING CONTRACTOR:	SAMPLE SAMPLE SAMPLE
	SAMPLE SAMPLE SAMPLE
	SAMPLE SAMPLE SAMPLE
	SAMPLE SAMPLE SAMPLE
	SAMPLE SAMPLE SAMPLE

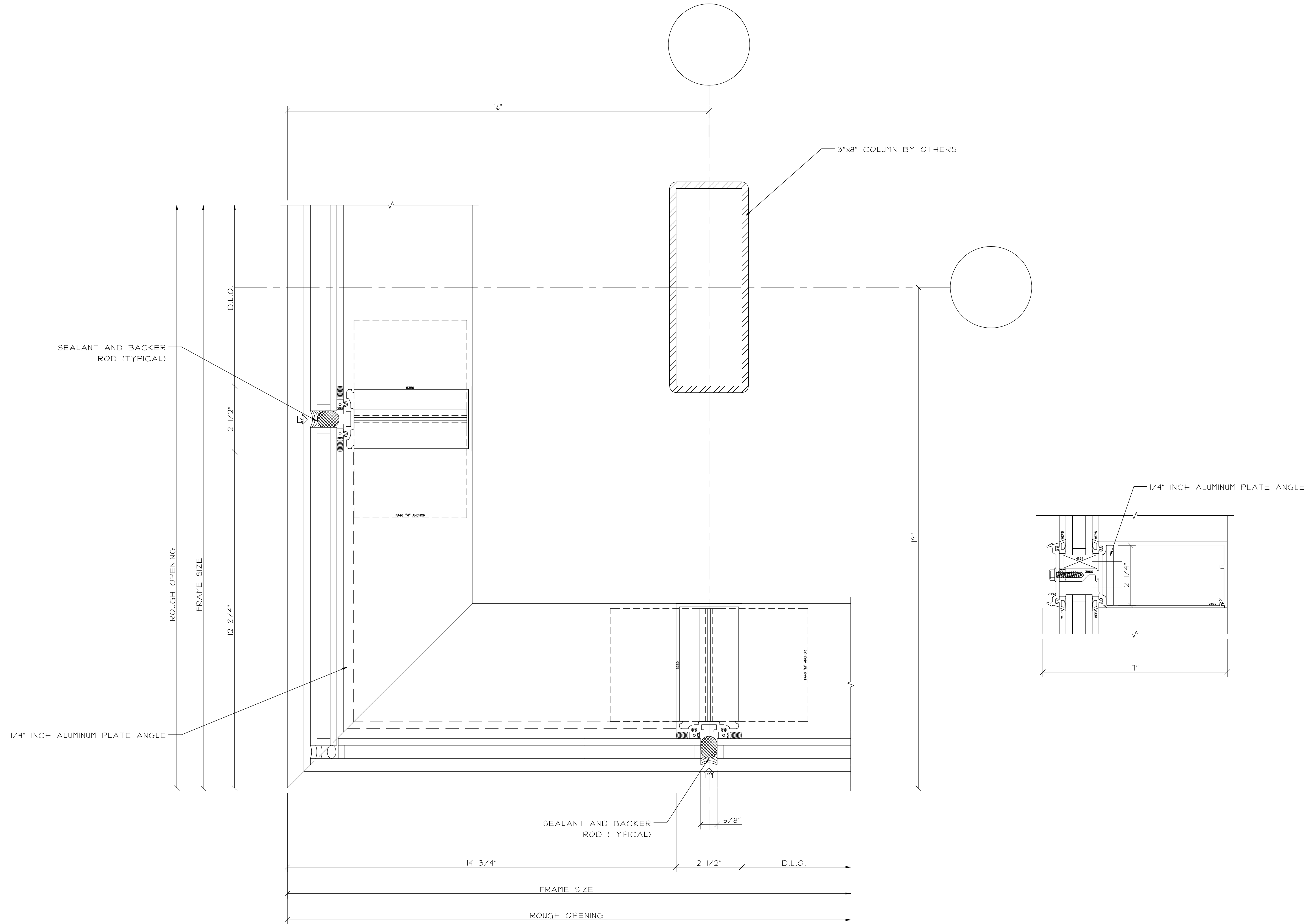
ARCHITECT:	SAMPLE SAMPLE SAMPLE
	SAMPLE SAMPLE SAMPLE
	SAMPLE SAMPLE SAMPLE
	SAMPLE SAMPLE SAMPLE
	SAMPLE SAMPLE SAMPLE

PROJECT:	SAMPLE SAMPLE SAMPLE
LOCATION:	SAMPLE SAMPLE SAMPLE

SCALE:	6" = 1'-0"
DATE:	SAMPLE
DRAWN:	SAMPLE
PAGE:	13 of 26



DATE:	
REVISIONS:	
GLAZING CONTRACTOR:	SAMPLE SAMPLE SAMPLE
ARCHITECT:	SAMPLE SAMPLE SAMPLE
PROJECT:	SAMPLE SAMPLE SAMPLE
LOCATION:	SAMPLE SAMPLE SAMPLE
SCALE:	6" = 1'-0"
DATE:	SAMPLE
DRAWN:	SAMPLE
PAGE:	14 of 26



1 90° SSG CORNER
REF. DI/A0.11

REVISIONS:	DATE:

GLAZING CONTRACTOR:
SAMPLE SAMPLE SAMPLE
SAMPLE SAMPLE SAMPLE
SAMPLE SAMPLE SAMPLE
SAMPLE SAMPLE SAMPLE
SAMPLE SAMPLE SAMPLE

ARCHITECT:
SAMPLE SAMPLE SAMPLE
SAMPLE SAMPLE SAMPLE
SAMPLE SAMPLE SAMPLE
SAMPLE SAMPLE SAMPLE
SAMPLE SAMPLE SAMPLE

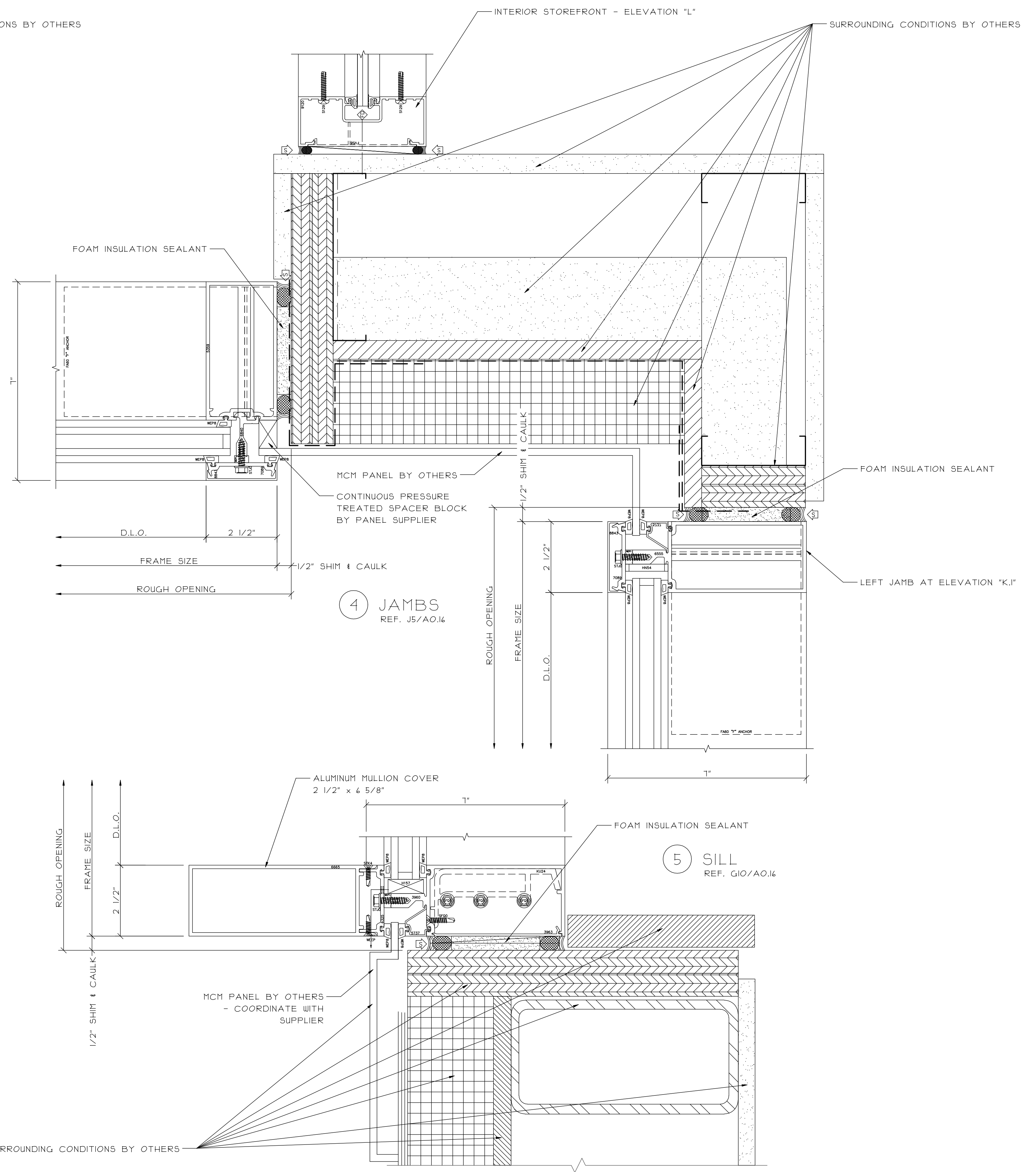
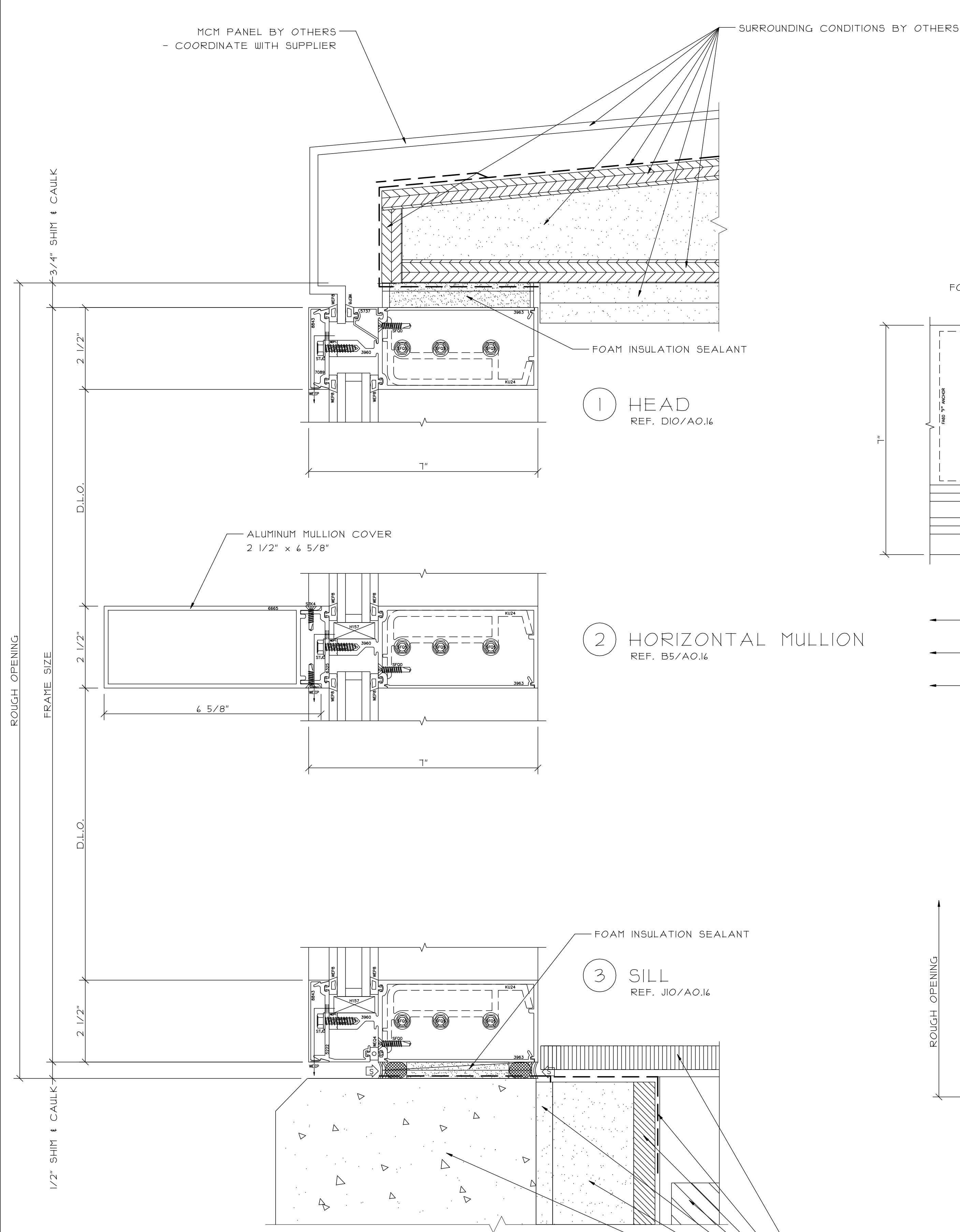
PROJECT:	LOCATION:
SAMPLE SAMPLE SAMPLE	SAMPLE SAMPLE SAMPLE
SAMPLE SAMPLE SAMPLE	SAMPLE SAMPLE SAMPLE

SCALE:
6" = 1'-0"

DATE:
SAMPLE

DRAWN:
SAMPLE

PAGE:
15 of 26



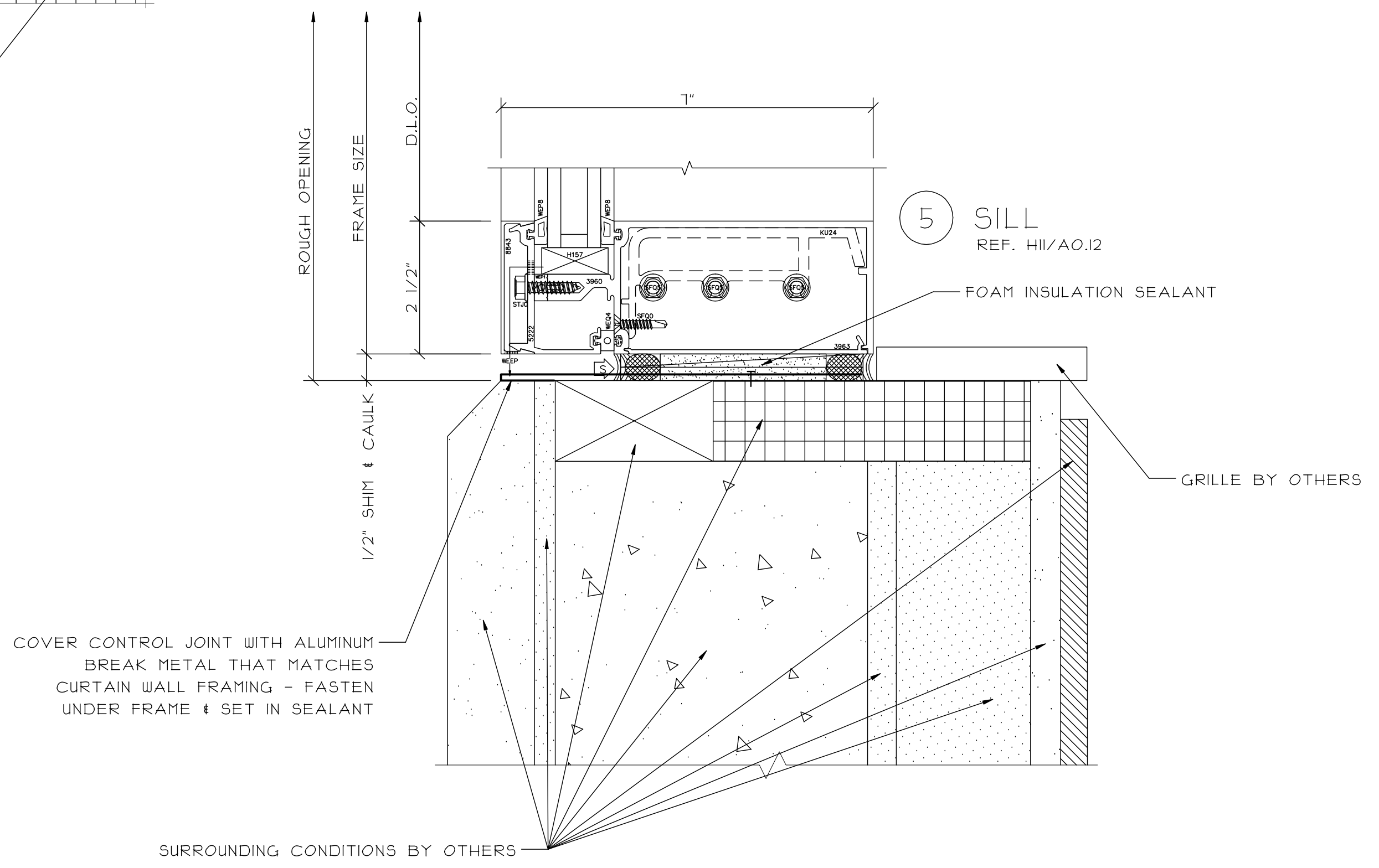
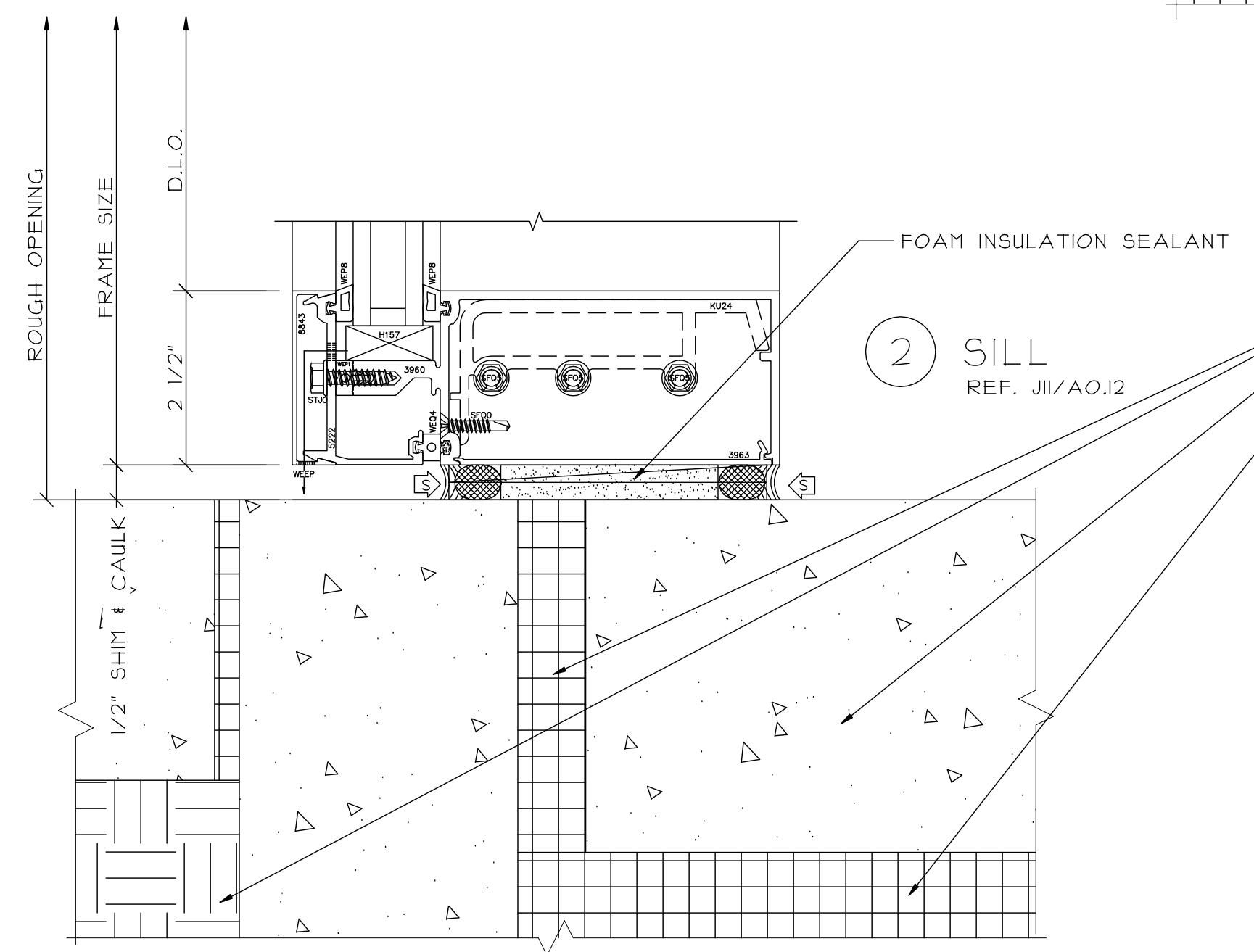
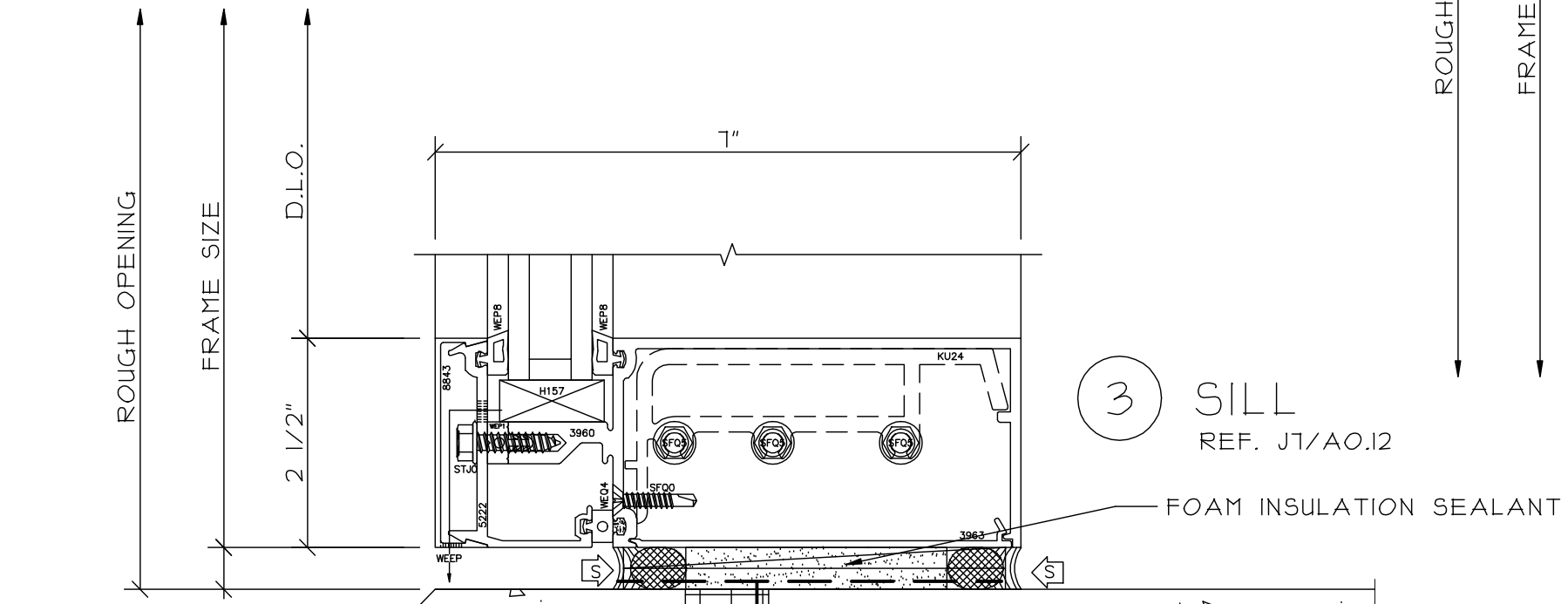
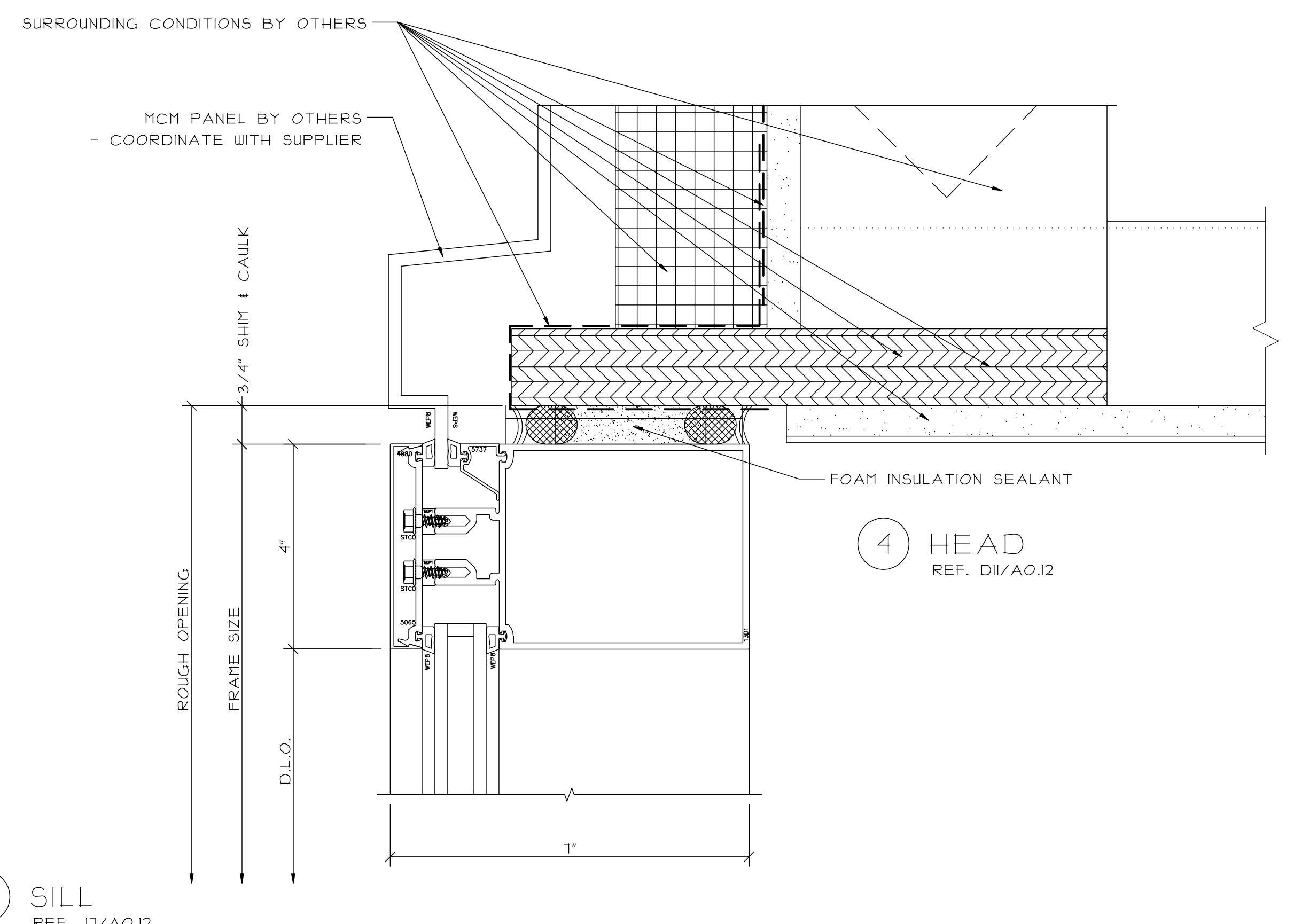
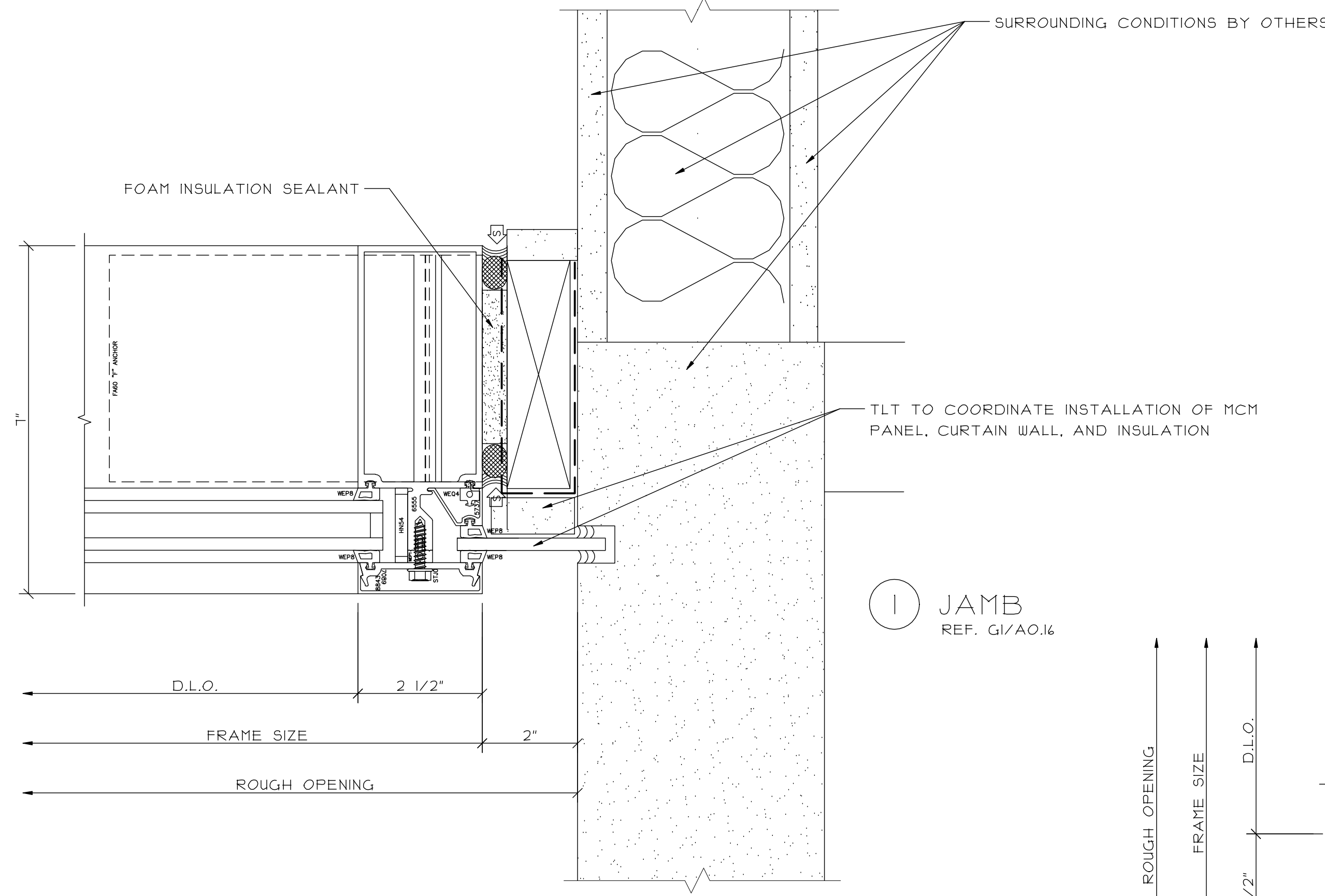
REVISIONS:	DATE:

GLAZING CONTRACTOR:	SAMPLE SAMPLE SAMPLE
	SAMPLE SAMPLE SAMPLE
	SAMPLE SAMPLE SAMPLE
	SAMPLE SAMPLE SAMPLE

ARCHITECT:	SAMPLE SAMPLE SAMPLE
	SAMPLE SAMPLE SAMPLE
	SAMPLE SAMPLE SAMPLE
	SAMPLE SAMPLE SAMPLE

PROJECT:	SAMPLE SAMPLE SAMPLE
LOCATION:	SAMPLE SAMPLE SAMPLE

SCALE:	6" = 1'-0"
DATE:	SAMPLE
DRAWN:	SAMPLE
PAGE:	16 of 26



REVISIONS:

DATE:

GLAZING CONTRACTOR:

SAMPLE	SAMPLE	SAMPLE
SAMPLE	SAMPLE	SAMPLE
SAMPLE	SAMPLE	SAMPLE
SAMPLE	SAMPLE	SAMPLE
SAMPLE	SAMPLE	SAMPLE

ARCHITECT:

SAMPLE	SAMPLE	SAMPLE
SAMPLE	SAMPLE	SAMPLE
SAMPLE	SAMPLE	SAMPLE
SAMPLE	SAMPLE	SAMPLE
SAMPLE	SAMPLE	SAMPLE

PROJECT: SAMPLE SAMPLE SAMPLE

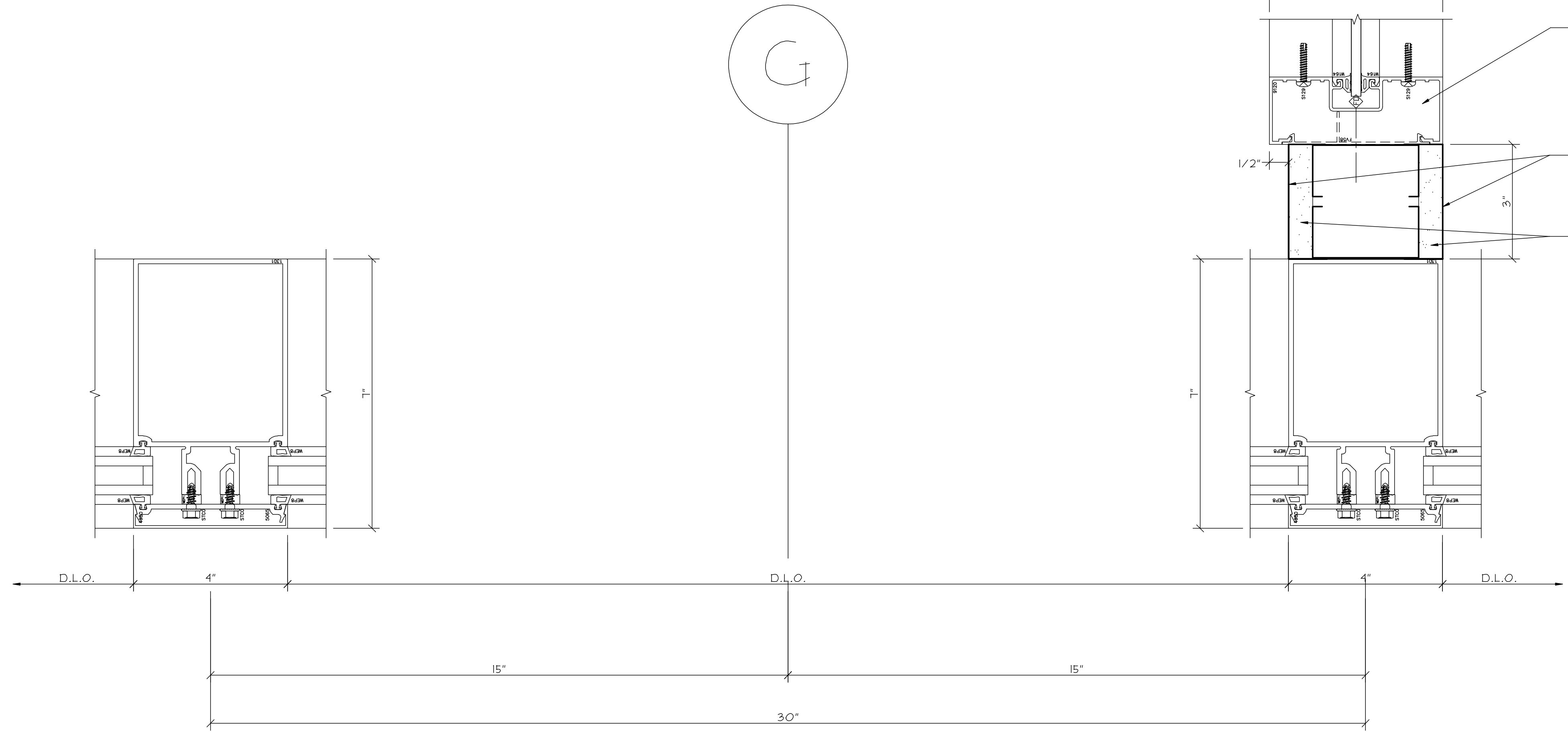
LOCATION: SAMPLE SAMPLE SAMPLE

SCALE:
6" = 1'-0"

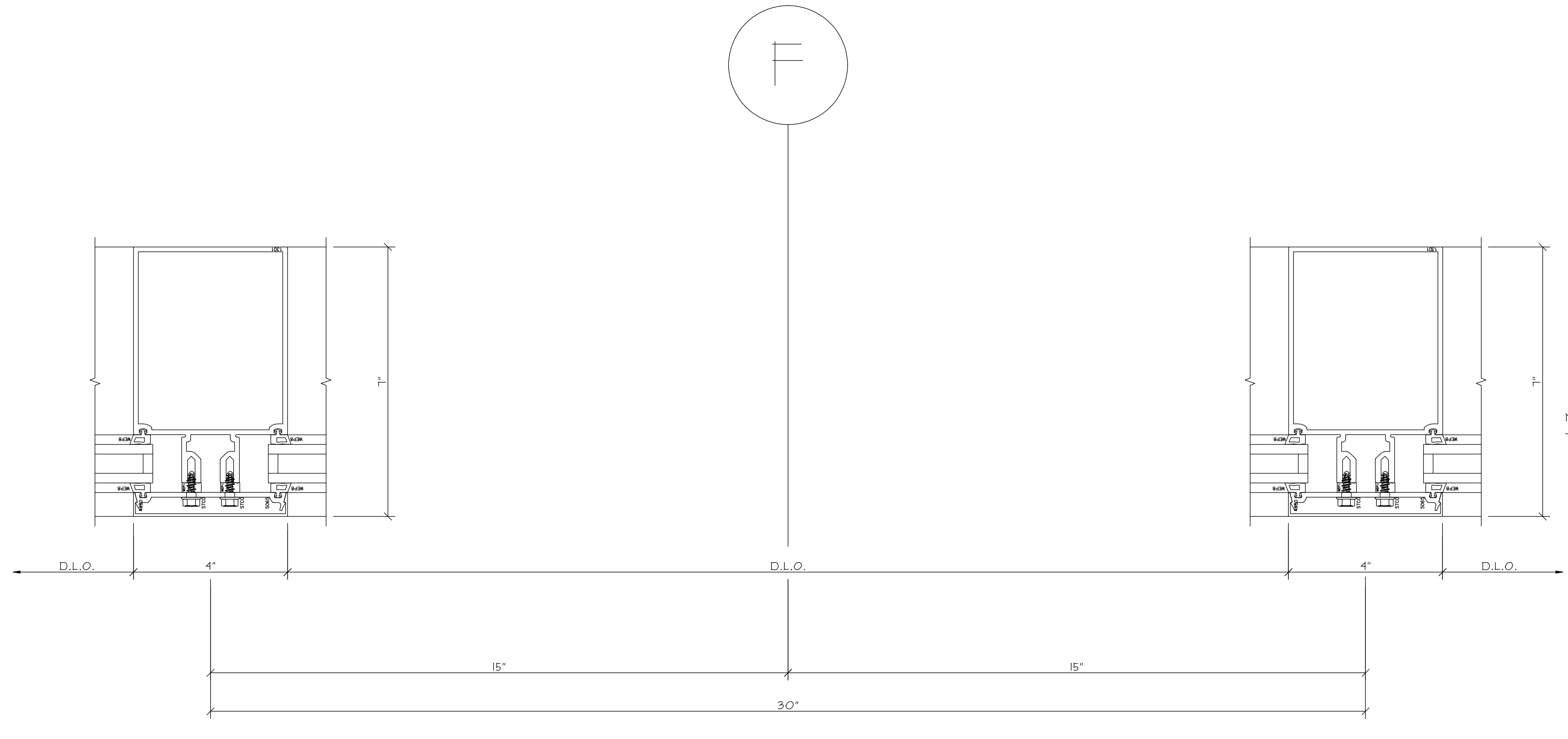
DATE:
SAMPLE

DRAWN:
SAMPLE

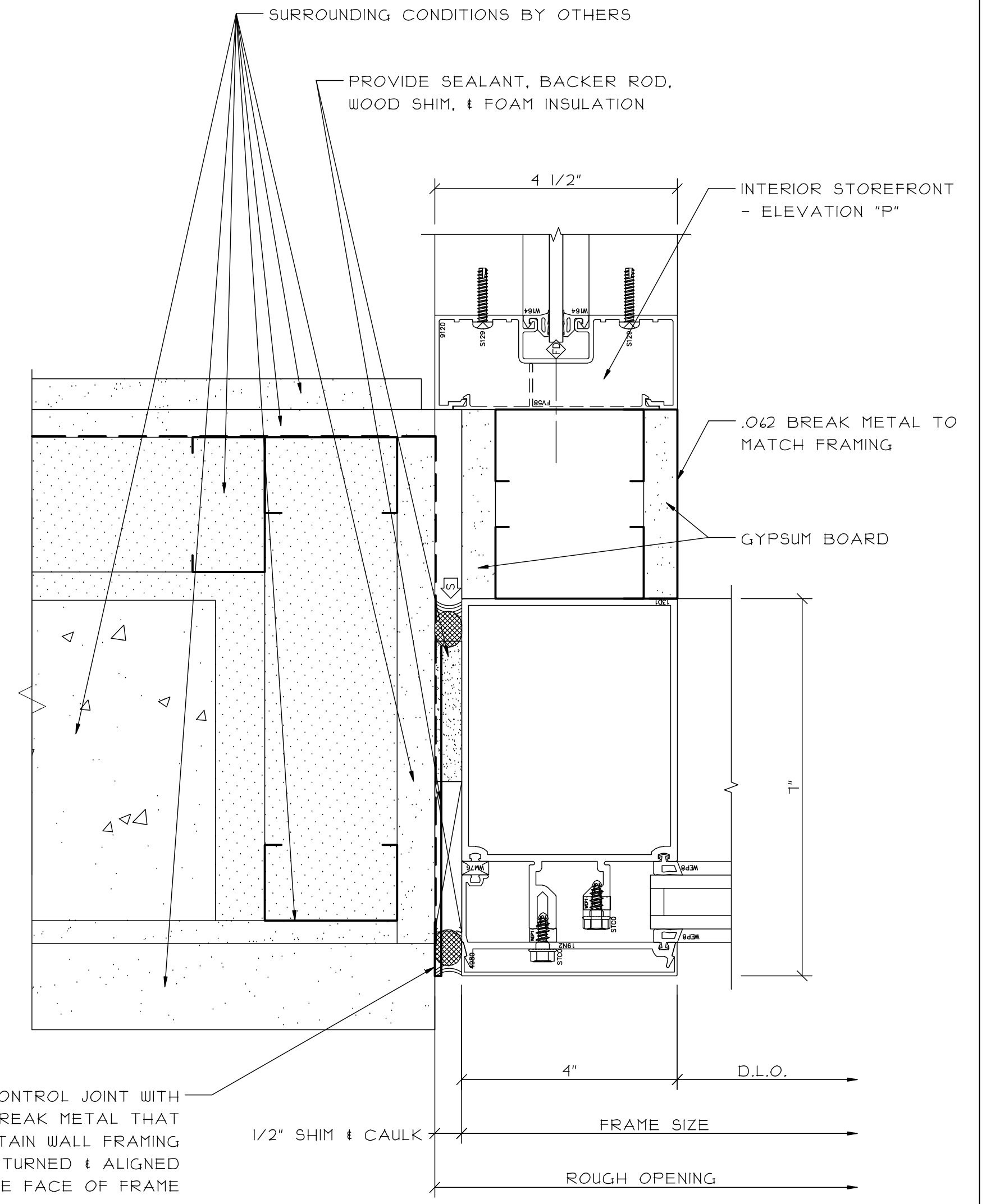
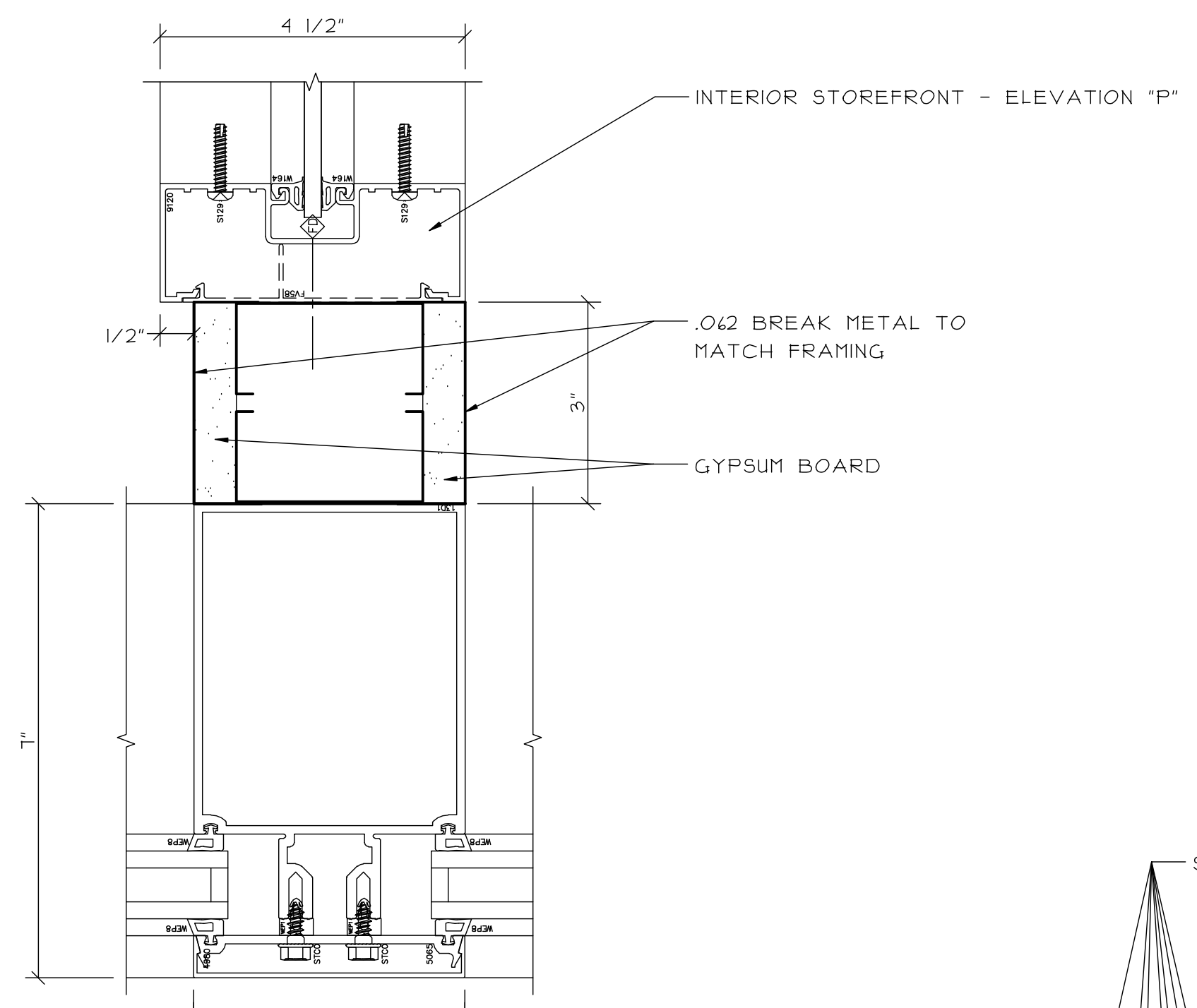
PAGE:
17 of 26



1 VERTICAL MULLIONS
REF. F1/A0.12



2 VERTICAL MULLIONS
REF. H1/A0.12



3 JAMBS
REF. D1/A0.12

REVISIONS:

DATE:

GLAZING CONTRACTOR:

SAMPLE	SAMPLE	SAMPLE
SAMPLE	SAMPLE	SAMPLE
SAMPLE	SAMPLE	SAMPLE
SAMPLE	SAMPLE	SAMPLE
SAMPLE	SAMPLE	SAMPLE

ARCHITECT:

SAMPLE	SAMPLE	SAMPLE
SAMPLE	SAMPLE	SAMPLE
SAMPLE	SAMPLE	SAMPLE
SAMPLE	SAMPLE	SAMPLE
SAMPLE	SAMPLE	SAMPLE

PROJECT: SAMPLE SAMPLE SAMPLE

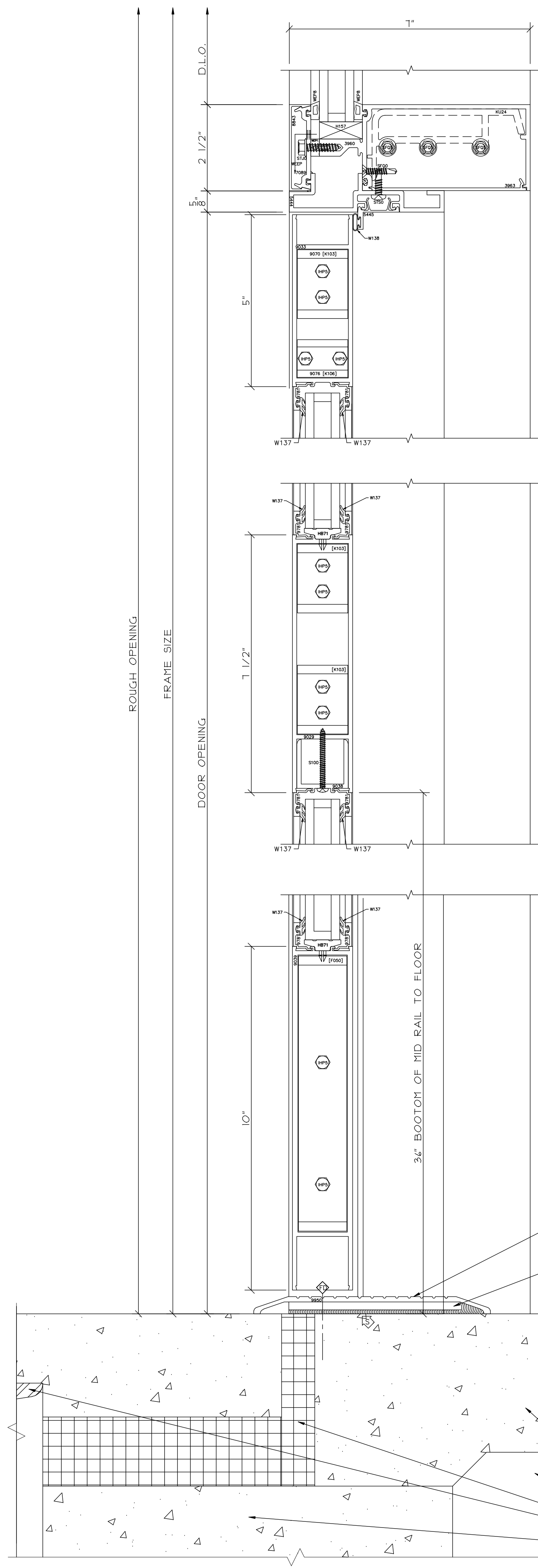
LOCATION: SAMPLE SAMPLE SAMPLE

SCALE:
6" = 1'-0"

DATE:
SAMPLE

DRAWN:
SAMPLE

PAGE:
18 of 26

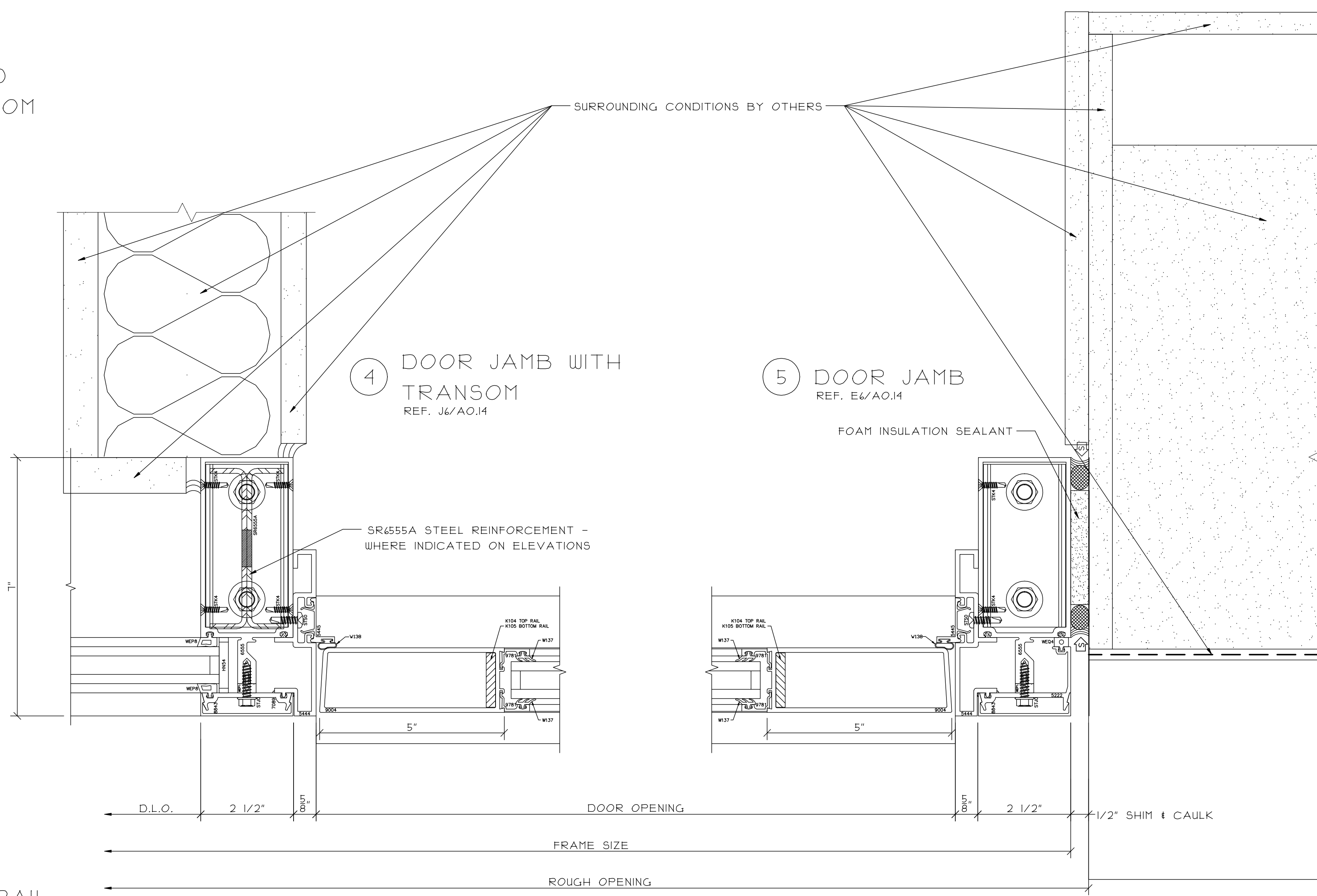


1 DOOR HEAD WITH TRANSOM

2 MID RAIL

3 DOOR BOTTOM REF. G10/A0.14

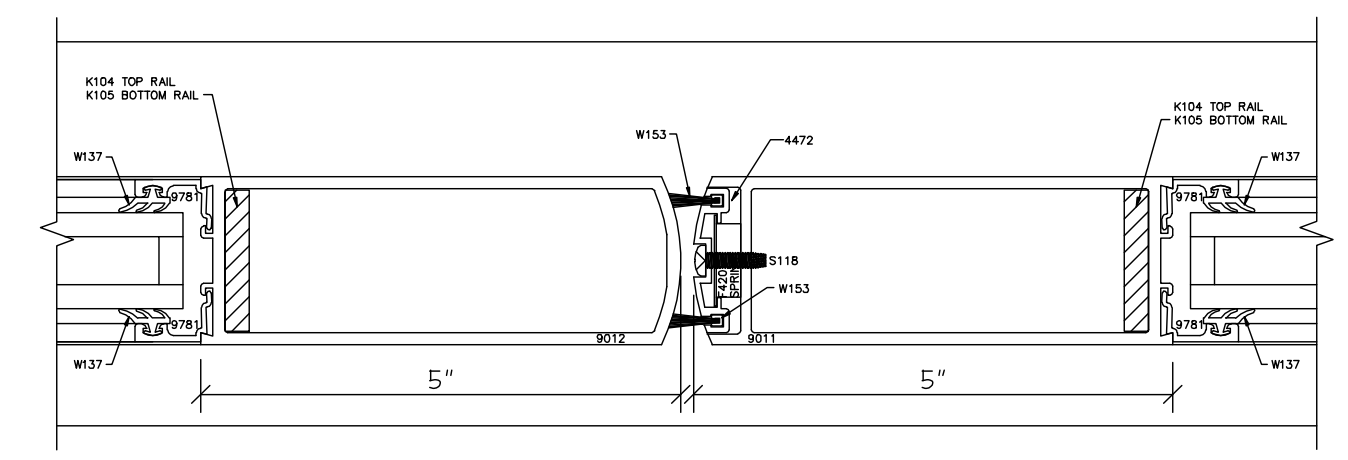
DIM TO MIDRAIL



4 DOOR JAMB WITH TRANSOM REF. J6/A0.14

5 DOOR JAMB REF. E6/A0.14

6 MEETING STILE



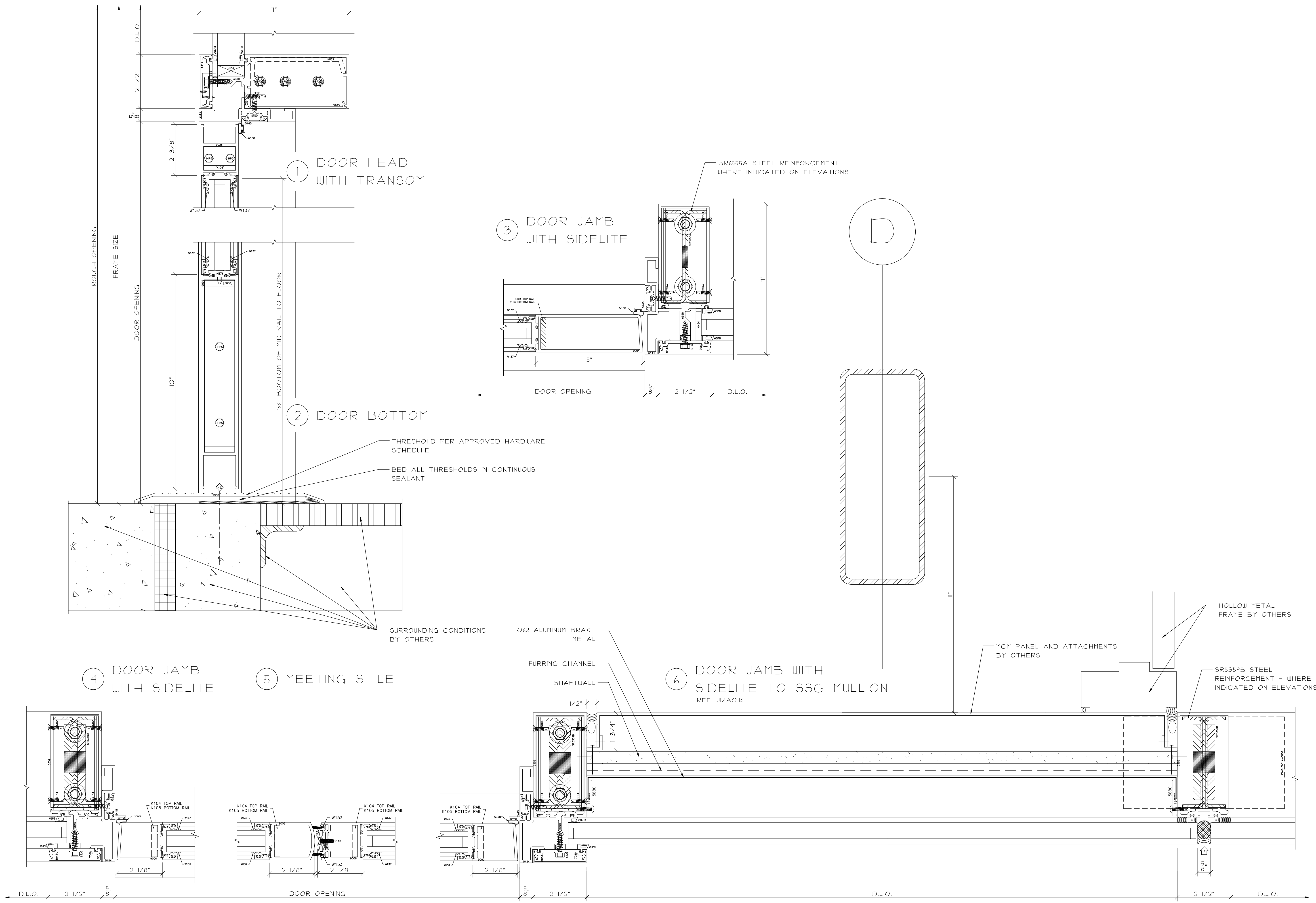
REVISIONS:	DATE:

GLAZING CONTRACTOR:	SAMPLE	SAMPLE	SAMPLE
	SAMPLE	SAMPLE	SAMPLE
	SAMPLE	SAMPLE	SAMPLE
	SAMPLE	SAMPLE	SAMPLE
	SAMPLE	SAMPLE	SAMPLE

ARCHITECT:	SAMPLE	SAMPLE	SAMPLE
	SAMPLE	SAMPLE	SAMPLE
	SAMPLE	SAMPLE	SAMPLE
	SAMPLE	SAMPLE	SAMPLE
	SAMPLE	SAMPLE	SAMPLE

PROJECT:	SAMPLE	SAMPLE	SAMPLE
LOCATION:	SAMPLE	SAMPLE	SAMPLE

SCALE:	6" = 1'-0"
DATE:	SAMPLE
DRAWN:	SAMPLE
PAGE:	19 of 26



REVISIONS:

GLAZING CONTRACTOR:

SAMPLE	SAMPLE	SAMPLE
SAMPLE	SAMPLE	SAMPLE
SAMPLE	SAMPLE	SAMPLE
SAMPLE	SAMPLE	SAMPLE
SAMPLE	SAMPLE	SAMPLE

ARCHITECT:

SAMPLE	SAMPLE	SAMPLE
SAMPLE	SAMPLE	SAMPLE
SAMPLE	SAMPLE	SAMPLE
SAMPLE	SAMPLE	SAMPLE
SAMPLE	SAMPLE	SAMPLE

PROJECT: SAMPLE SAMPLE SAMPLE

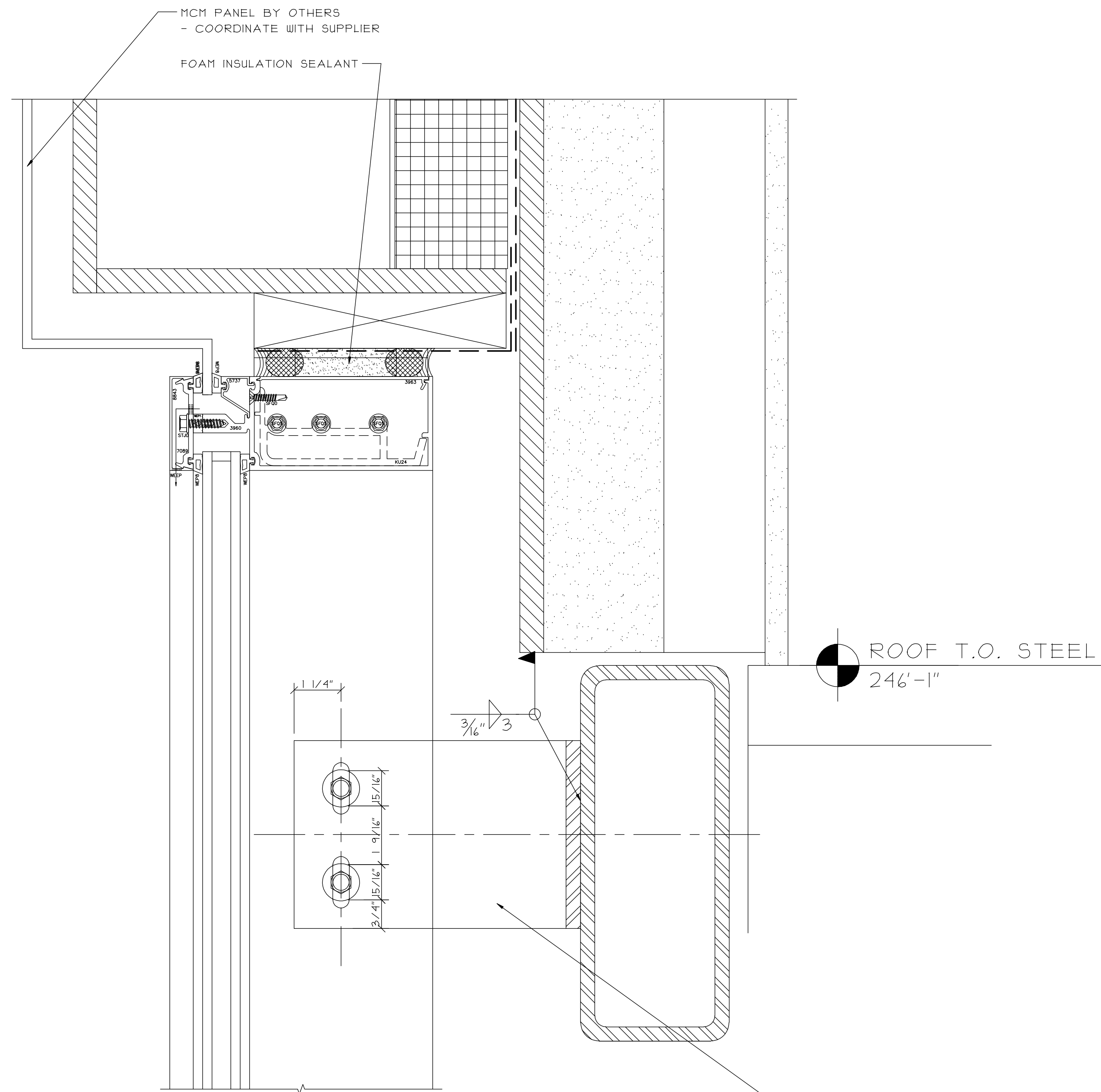
LOCATION: SAMPLE SAMPLE SAMPLE

SCALE: 6" = 1'-0"

DATE: SAMPLE

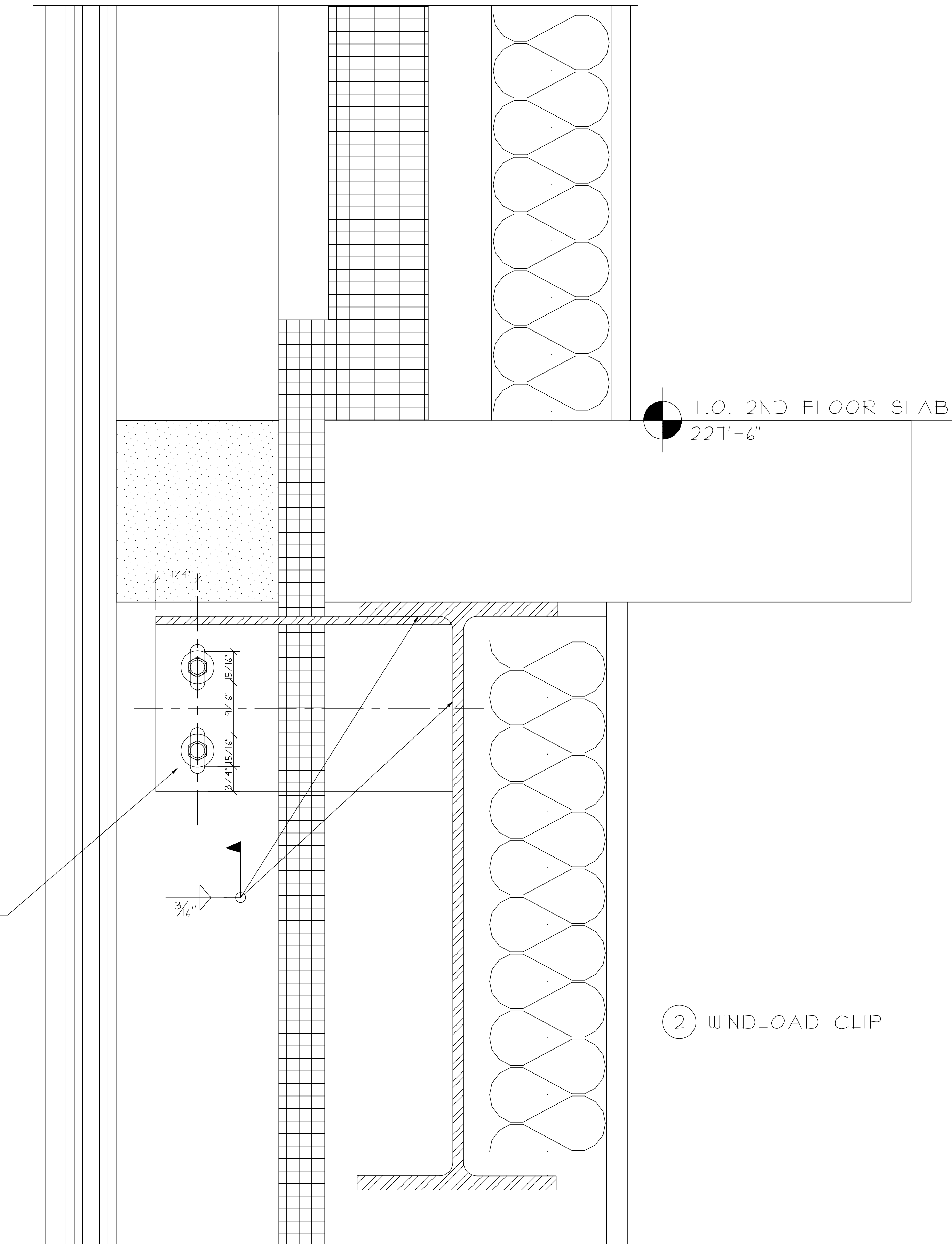
DRAWN: SAMPLE

PAGE: 20 of 26



① HEAD WITH WINDLOAD CLIP

WINDLOAD CLIP: PRIME OR GALVANIZE CONNECTION PER JOB SPECIFICATION. CENTER BOLTS IN HOLE, SNUG TIGHT - DO NOT TORQUE THROUGH MULLION. PROVIDE SLIP WASHERS, LOCKING NUTS, ETC. TO FACILITATE DIFFERENTIAL MOVEMENTS AT MULLION CONNECTION. 9/16"X1-7/16" SLOTTED HOLES FOR 1/2" STAINLESS STEEL BOLTS WITH LOCKNUTS AND WASHERS. L5X3X1/4" ANGLE. LENGTH TO SUIT. MITER ANGLE AT BEAM FILLET TO FIT. ISOLATE DISSIMILAR MATERIALS.



② WINDLOAD CLIP

REVISIONS:	DATE:

GLAZING CONTRACTOR:	SAMPLE	SAMPLE	SAMPLE	SAMPLE
	SAMPLE	SAMPLE	SAMPLE	SAMPLE
	SAMPLE	SAMPLE	SAMPLE	SAMPLE
	SAMPLE	SAMPLE	SAMPLE	SAMPLE
	SAMPLE	SAMPLE	SAMPLE	SAMPLE

ARCHITECT:	SAMPLE	SAMPLE	SAMPLE	SAMPLE
	SAMPLE	SAMPLE	SAMPLE	SAMPLE
	SAMPLE	SAMPLE	SAMPLE	SAMPLE
	SAMPLE	SAMPLE	SAMPLE	SAMPLE
	SAMPLE	SAMPLE	SAMPLE	SAMPLE

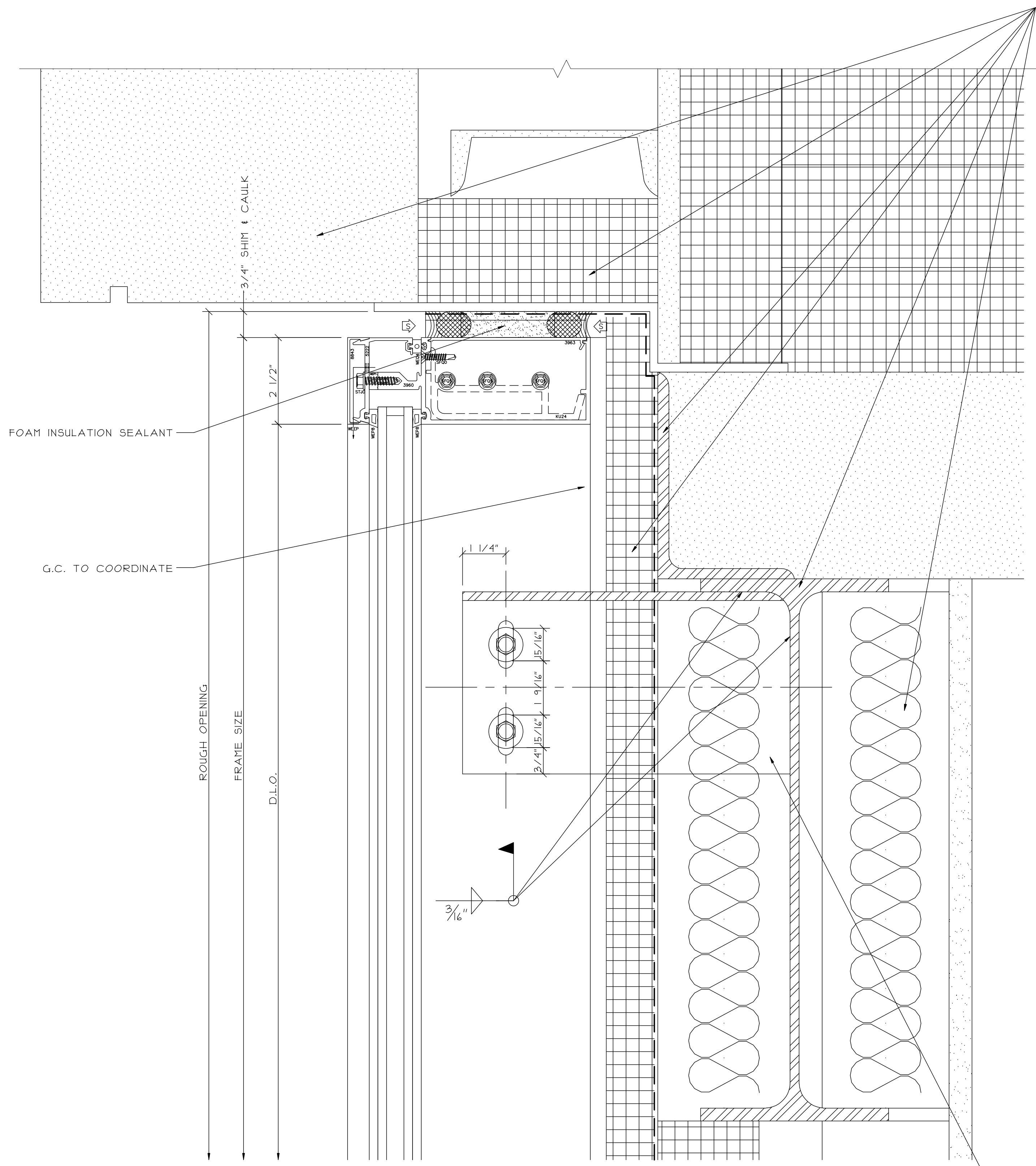
PROJECT:	SAMPLE	SAMPLE	SAMPLE	SAMPLE
LOCATION:	SAMPLE	SAMPLE	SAMPLE	SAMPLE

SCALE:
6" = 1'-0"

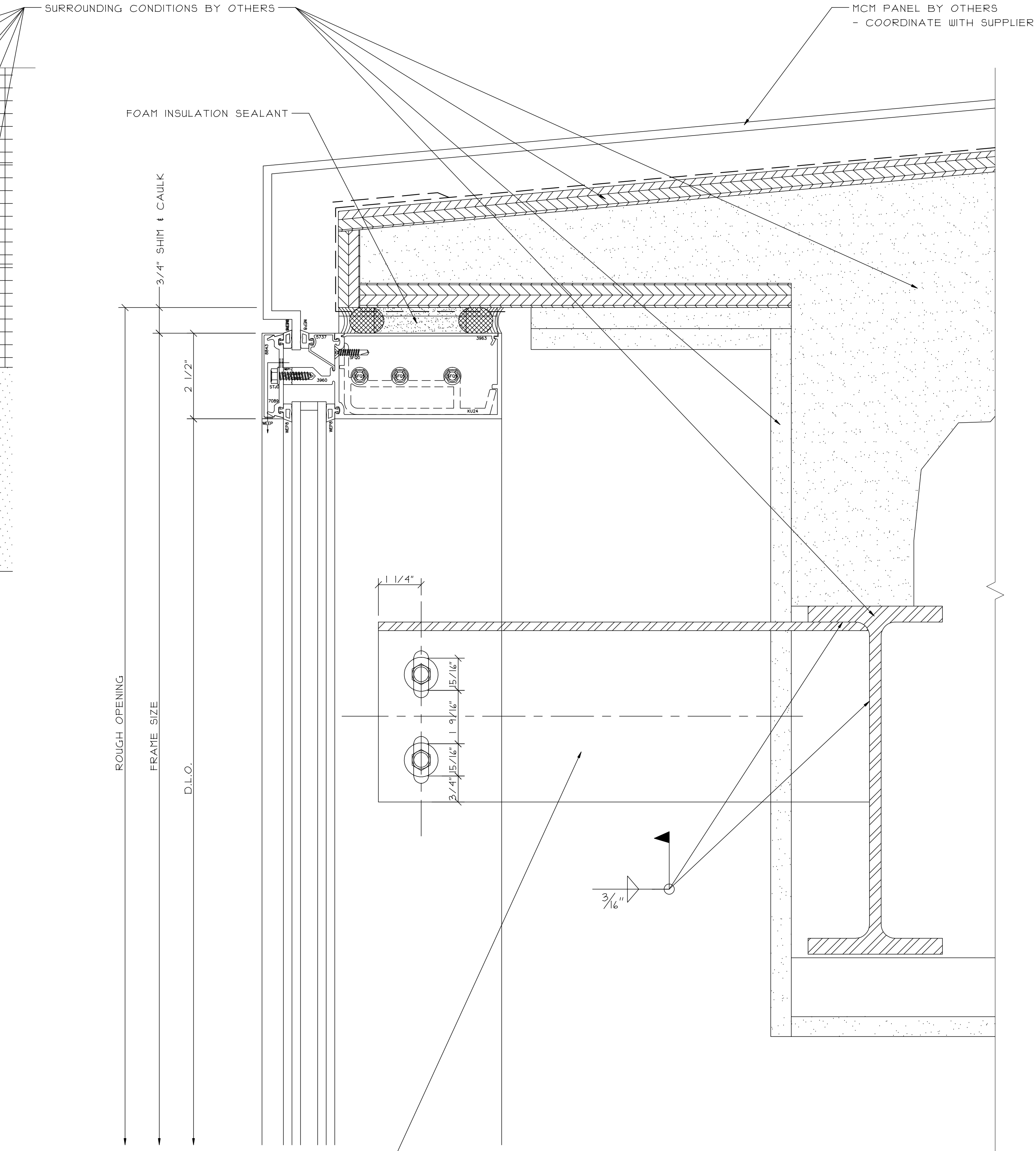
DATE:
SAMPLE

DRAWN:
SAMPLE

PAGE:
21 of 26



① HEAD WITH WINDLOAD CLIP
REF. D10/A0.13



② HEAD WITH WINDLOAD CLIP
REF. D10/A0.16

WINDLOAD CLIP: PRIME OR GALVANIZE CONNECTION PER JOB SPECIFICATION. CENTER BOLTS IN HOLE, SNUG TIGHT - DO NOT TORQUE THROUGH MULLION. PROVIDE SLIP WASHERS, LOCKING NUTS, ETC. TO FACILITATE DIFFERENTIAL MOVEMENTS AT MULLION CONNECTION. 9/16\"/>

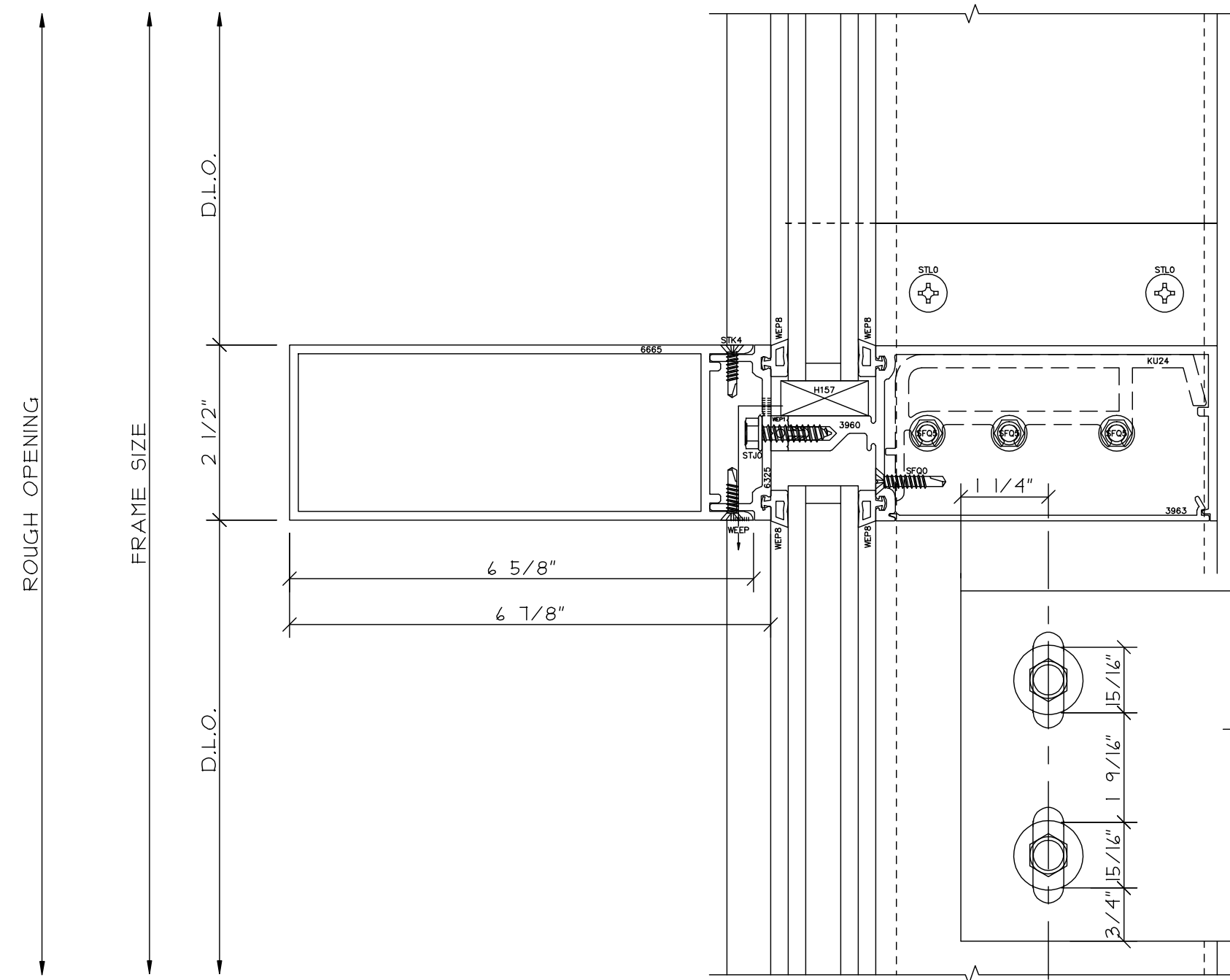
REVISIONS:	DATE:

GLAZING CONTRACTOR:	SAMPLE	SAMPLE	SAMPLE
	SAMPLE	SAMPLE	SAMPLE
	SAMPLE	SAMPLE	SAMPLE
	SAMPLE	SAMPLE	SAMPLE
	SAMPLE	SAMPLE	SAMPLE

ARCHITECT:	SAMPLE	SAMPLE	SAMPLE
	SAMPLE	SAMPLE	SAMPLE
	SAMPLE	SAMPLE	SAMPLE
	SAMPLE	SAMPLE	SAMPLE
	SAMPLE	SAMPLE	SAMPLE

PROJECT:	SAMPLE	SAMPLE	SAMPLE
LOCATION:	SAMPLE	SAMPLE	SAMPLE

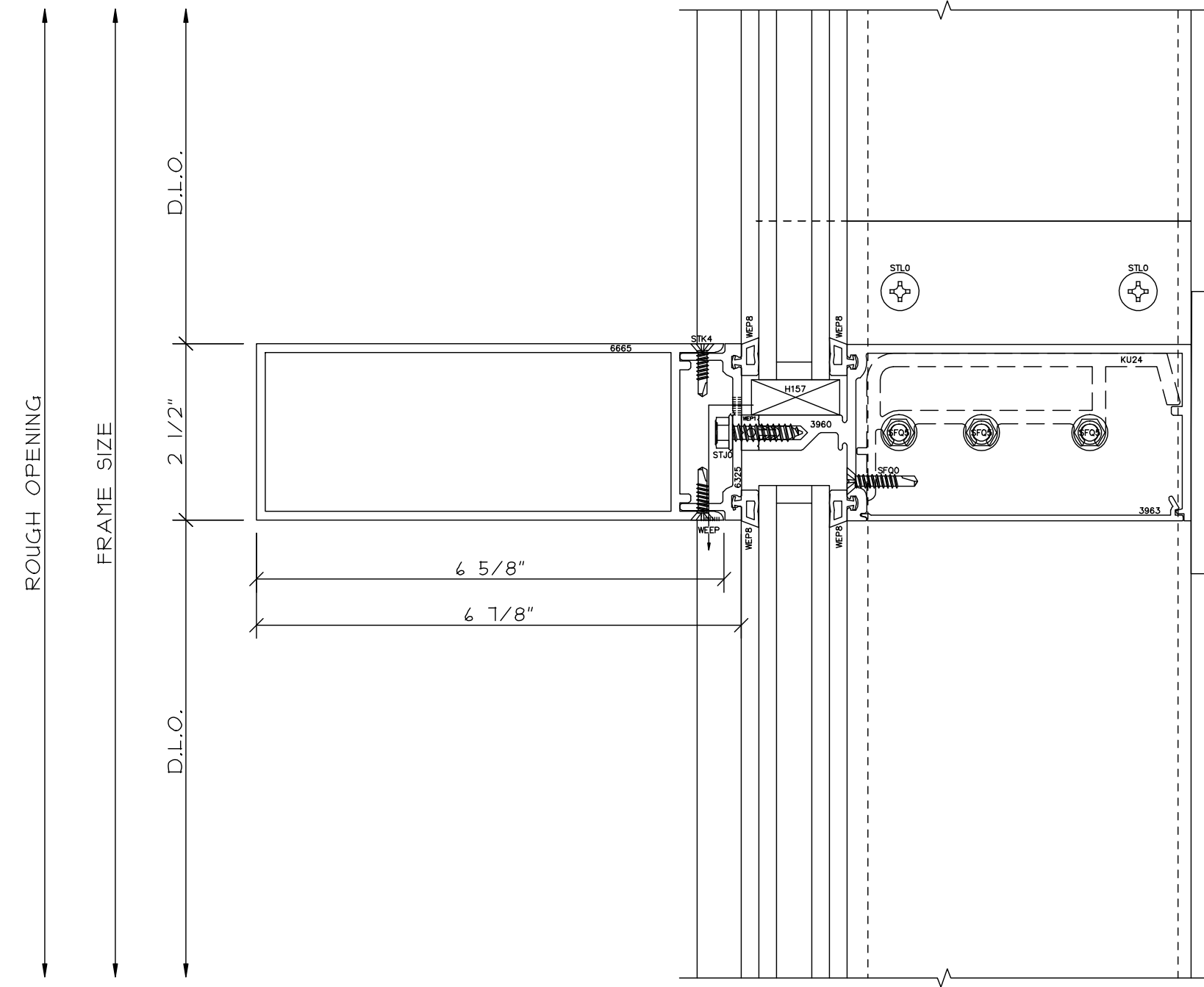
SCALE:	6" = 1'-0"
DATE:	SAMPLE
DRAWN:	SAMPLE
PAGE:	22 of 26



② HORIZONTAL MULLION WITH WINDLOAD CLIP

HSS 12"x6" COLUMN BY OTHERS

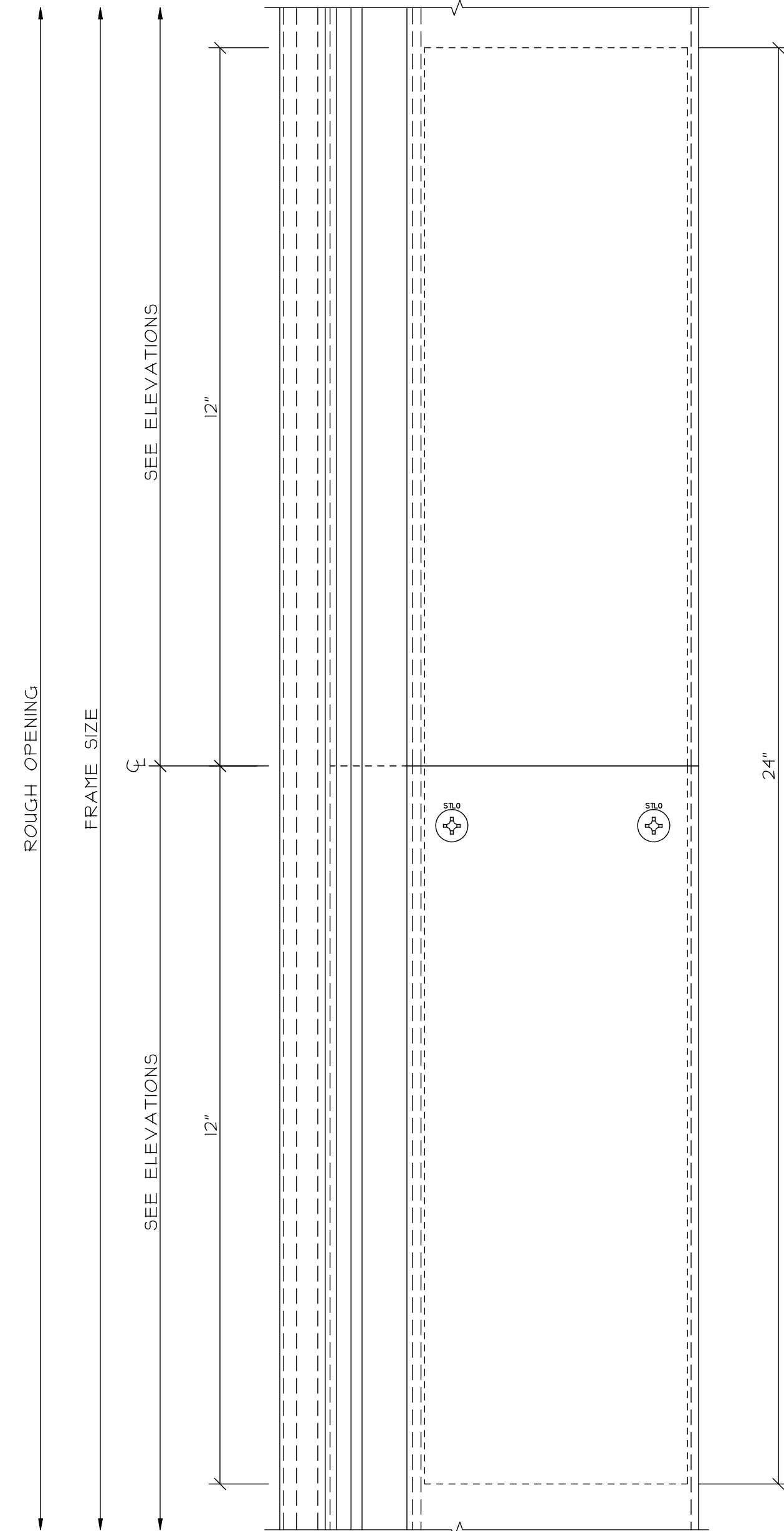
WINDLOAD CLIP; PRIME OR GALVANIZE CONNECTION PER JOB SPECIFICATION. CENTER BOLTS IN HOLE, SNUG TIGHT - DO NOT TORQUE THROUGH MULLION. PROVIDE SLIP WASHERS, LOCKING NUTS, ETC. TO FACILITATE DIFFERENTIAL MOVEMENTS AT MULLION CONNECTION. 9/16"x1-1/16" SLOTTED HOLES FOR 1/2" STAINLESS STEEL BOLTS WITH LOCKNUTS AND WASHERS. L5X3X1/4" ANGLE. LENGTH TO SUIT, MITER ANGLE AT BEAM FILLET TO FIT. ISOLATE DISSIMILAR MATERIALS.



① HORIZONTAL MULLION WITH WINDLOAD CLIP
REF. B5/A0.16

10"x4" COLUMN BY OTHERS

WINDLOAD CLIP; PRIME OR GALVANIZE CONNECTION PER JOB SPECIFICATION. CENTER BOLTS IN HOLE, SNUG TIGHT - DO NOT TORQUE THROUGH MULLION. PROVIDE SLIP WASHERS, LOCKING NUTS, ETC. TO FACILITATE DIFFERENTIAL MOVEMENTS AT MULLION CONNECTION. 9/16"x1-1/16" SLOTTED HOLES FOR 1/2" STAINLESS STEEL BOLTS WITH LOCKNUTS AND WASHERS. L5X3X1/4" ANGLE. LENGTH TO SUIT, MITER ANGLE AT BEAM FILLET TO FIT. ISOLATE DISSIMILAR MATERIALS.



③ HARD SPLICE

SCALE:
6" = 1'-0"

DATE:
SAMPLE

DRAWN:
SAMPLE

PAGE:
23 of 26

PROJECT: SAMPLE SAMPLE SAMPLE

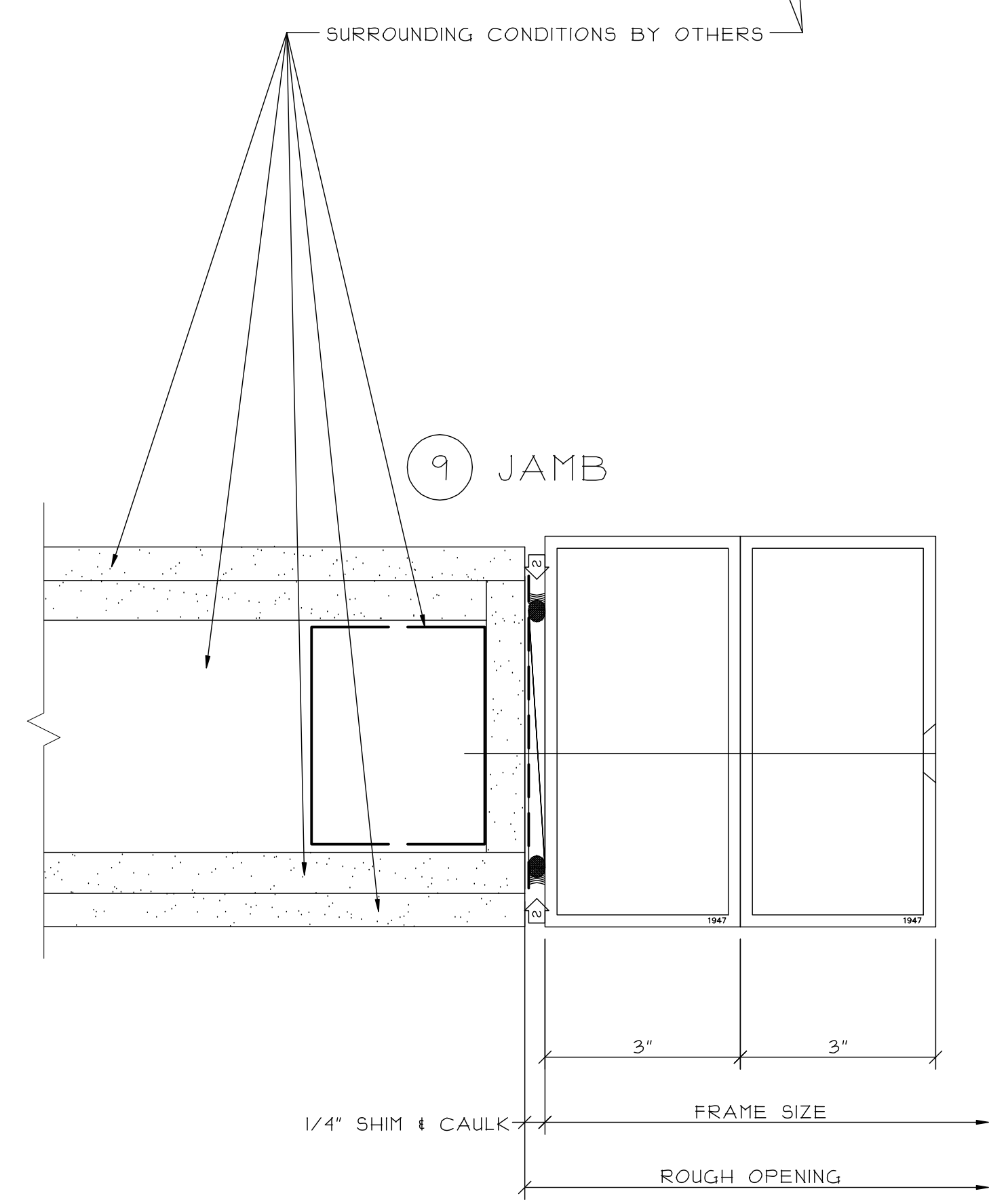
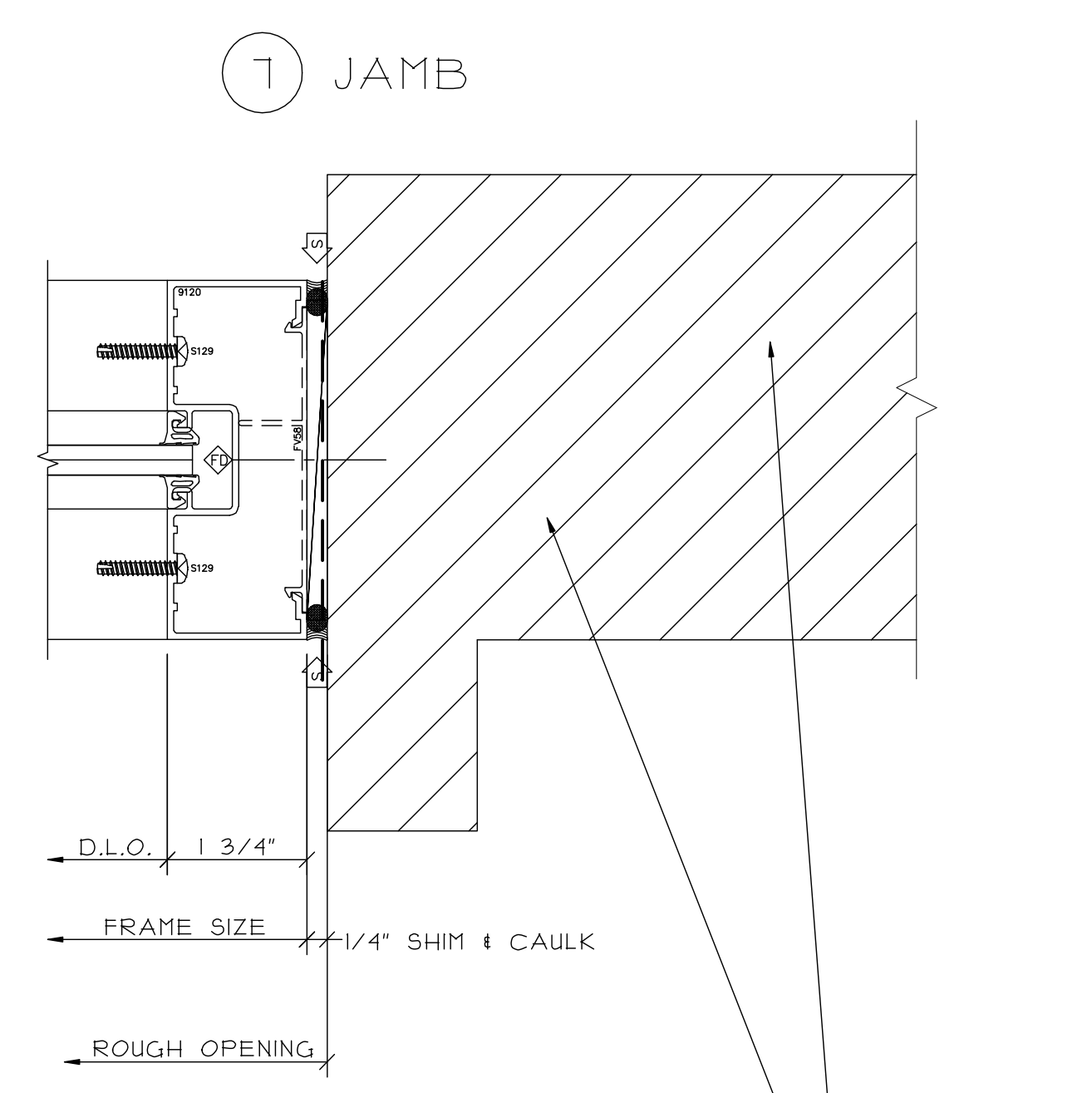
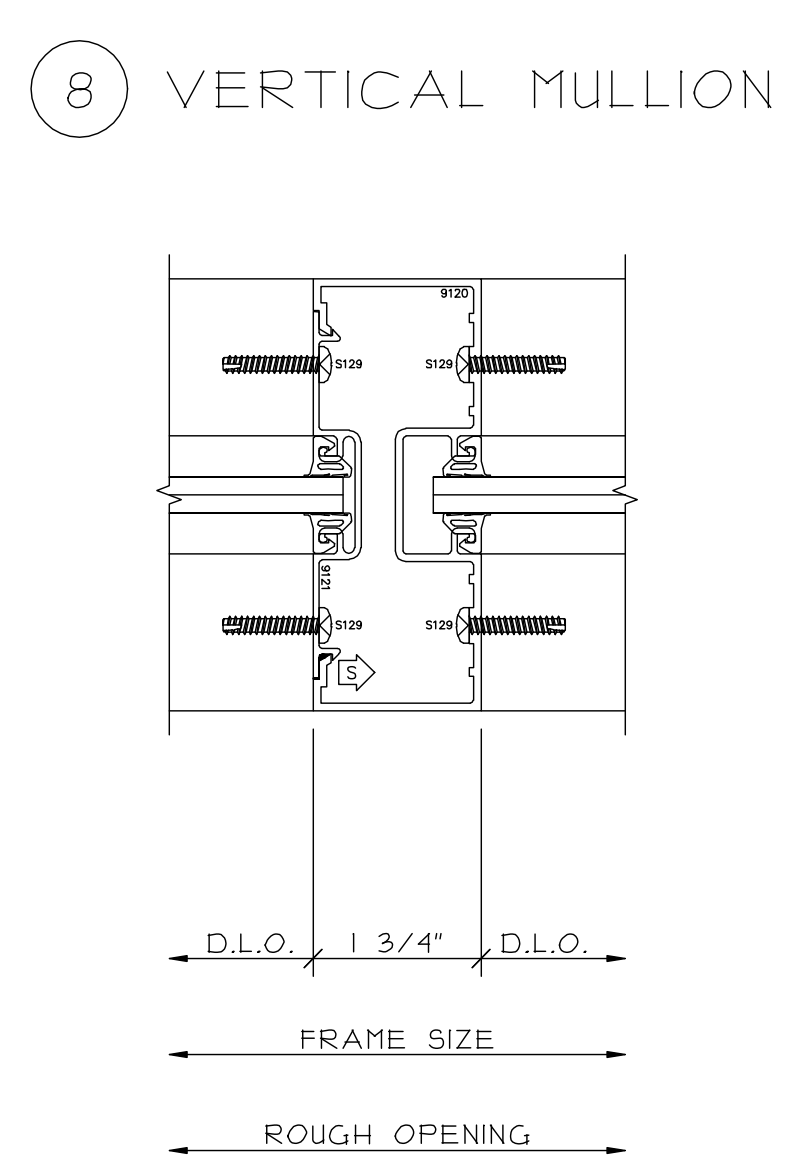
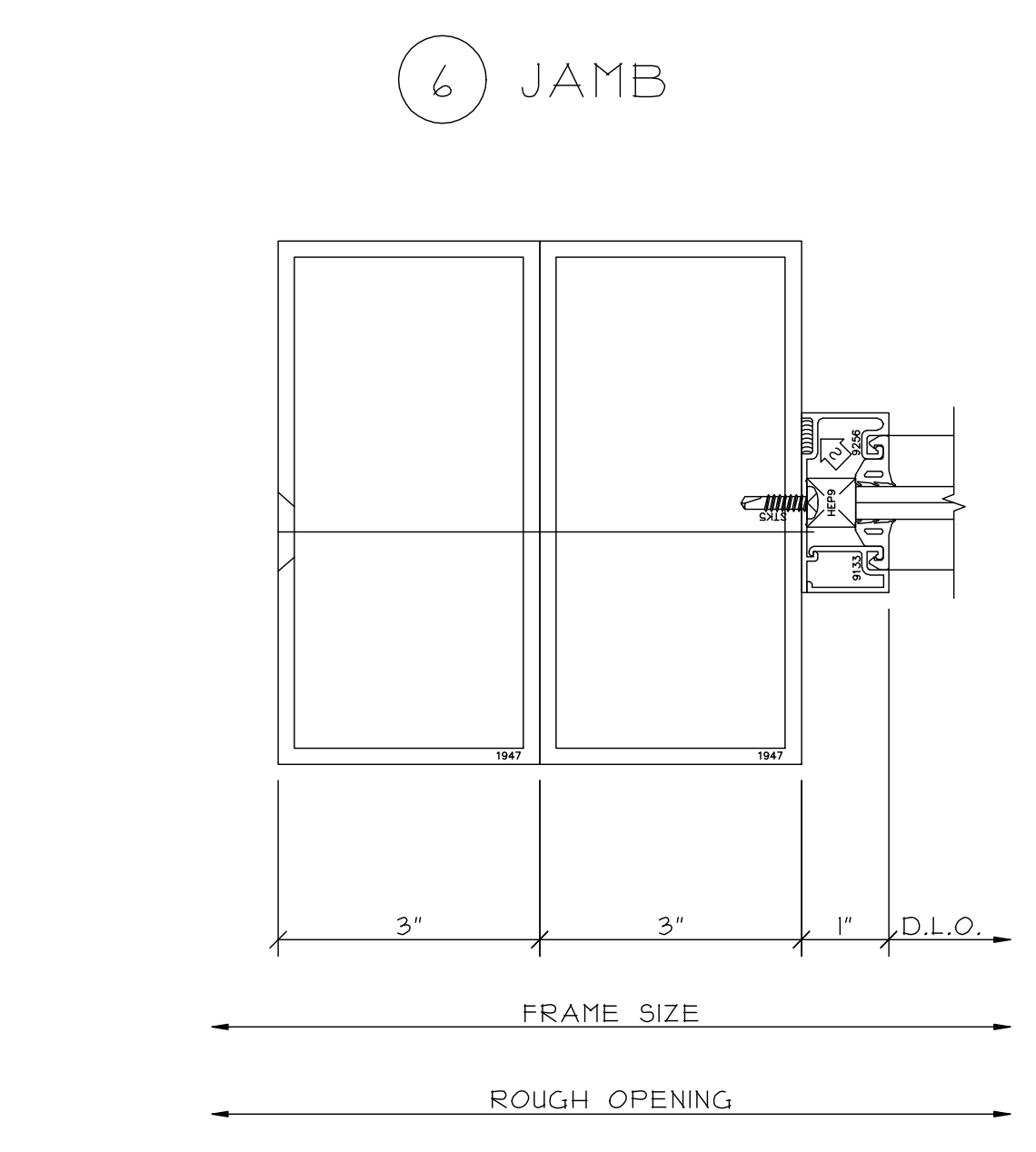
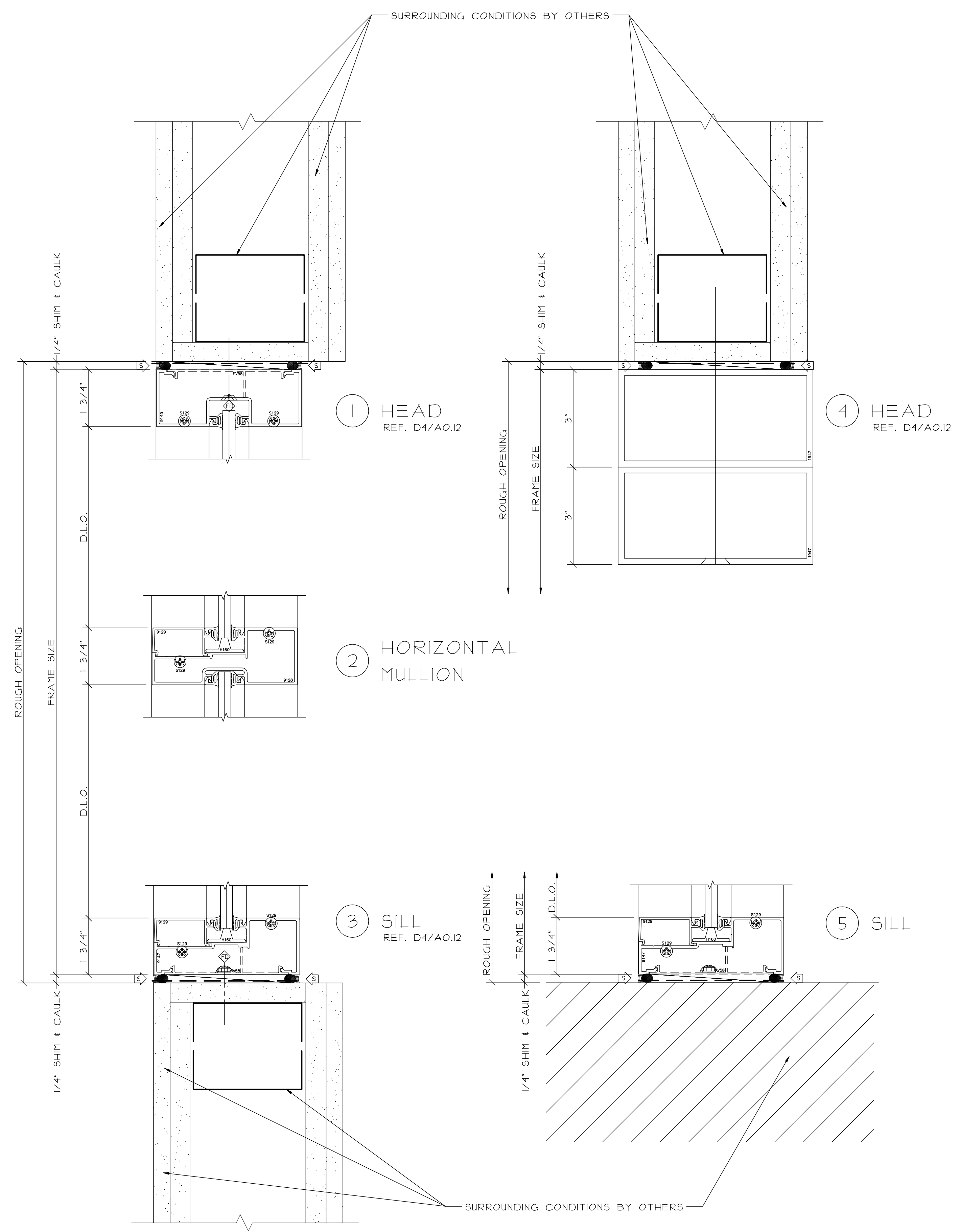
LOCATION: SAMPLE SAMPLE SAMPLE

ARCHITECT: SAMPLE SAMPLE SAMPLE
SAMPLE SAMPLE SAMPLE
SAMPLE SAMPLE SAMPLE
SAMPLE SAMPLE SAMPLE

GLAZING CONTRACTOR: SAMPLE SAMPLE SAMPLE
SAMPLE SAMPLE SAMPLE
SAMPLE SAMPLE SAMPLE
SAMPLE SAMPLE SAMPLE

REVISIONS:

DATE:



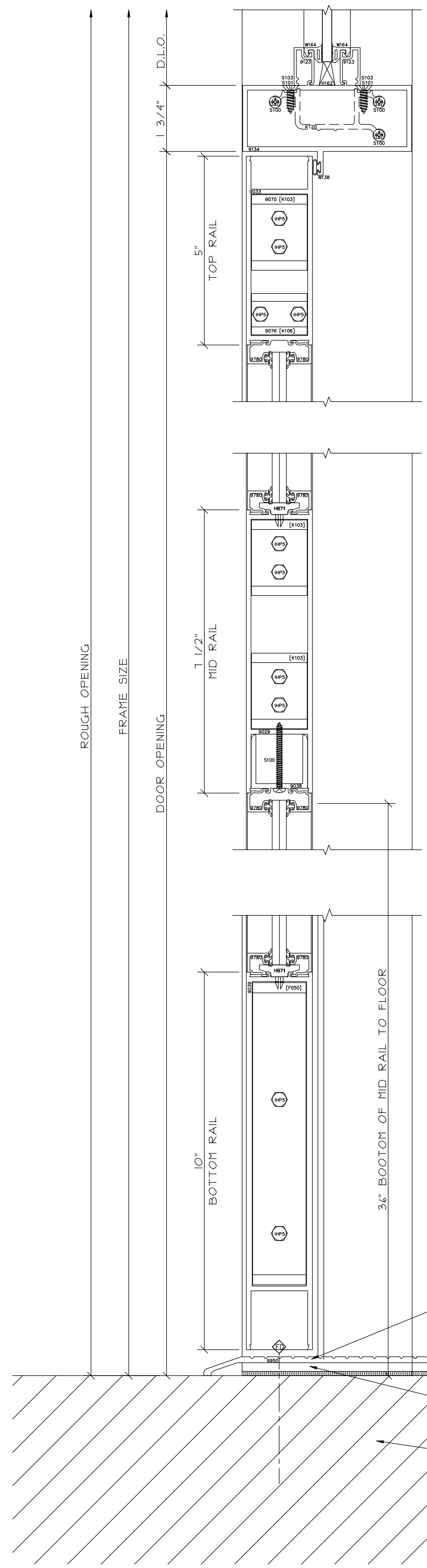
REVISIONS:	DATE:

GLAZING CONTRACTOR:	SAMPLE	SAMPLE	SAMPLE
	SAMPLE	SAMPLE	SAMPLE
	SAMPLE	SAMPLE	SAMPLE
	SAMPLE	SAMPLE	SAMPLE

ARCHITECT:	SAMPLE	SAMPLE	SAMPLE
	SAMPLE	SAMPLE	SAMPLE
	SAMPLE	SAMPLE	SAMPLE
	SAMPLE	SAMPLE	SAMPLE

PROJECT:	SAMPLE	SAMPLE	SAMPLE
LOCATION:	SAMPLE	SAMPLE	SAMPLE

SCALE:	6" = 1'-0"
DATE:	SAMPLE
DRAWN:	SAMPLE
PAGE:	24 of 26



1 DOOR HEAD W/
TRANSOM

2 MID RAIL

3 DOOR BOTTOM

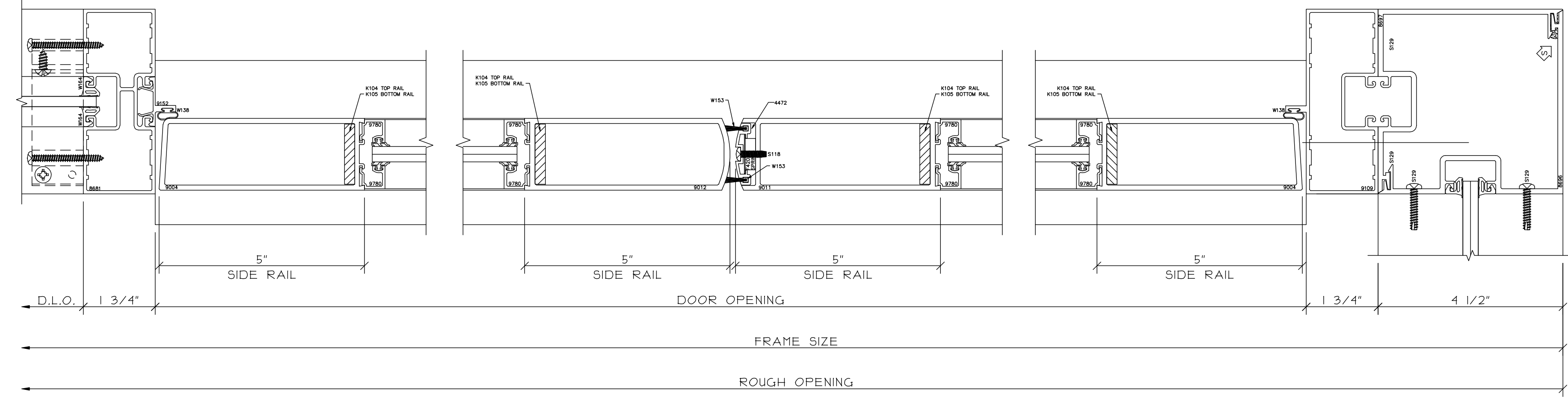
THRESHOLD PER APPROVED HARDWARE
SCHEDULE

BED ALL THRESHOLDS IN CONTINUOUS SEALANT
SURROUNDING CONDITIONS BY OTHERS

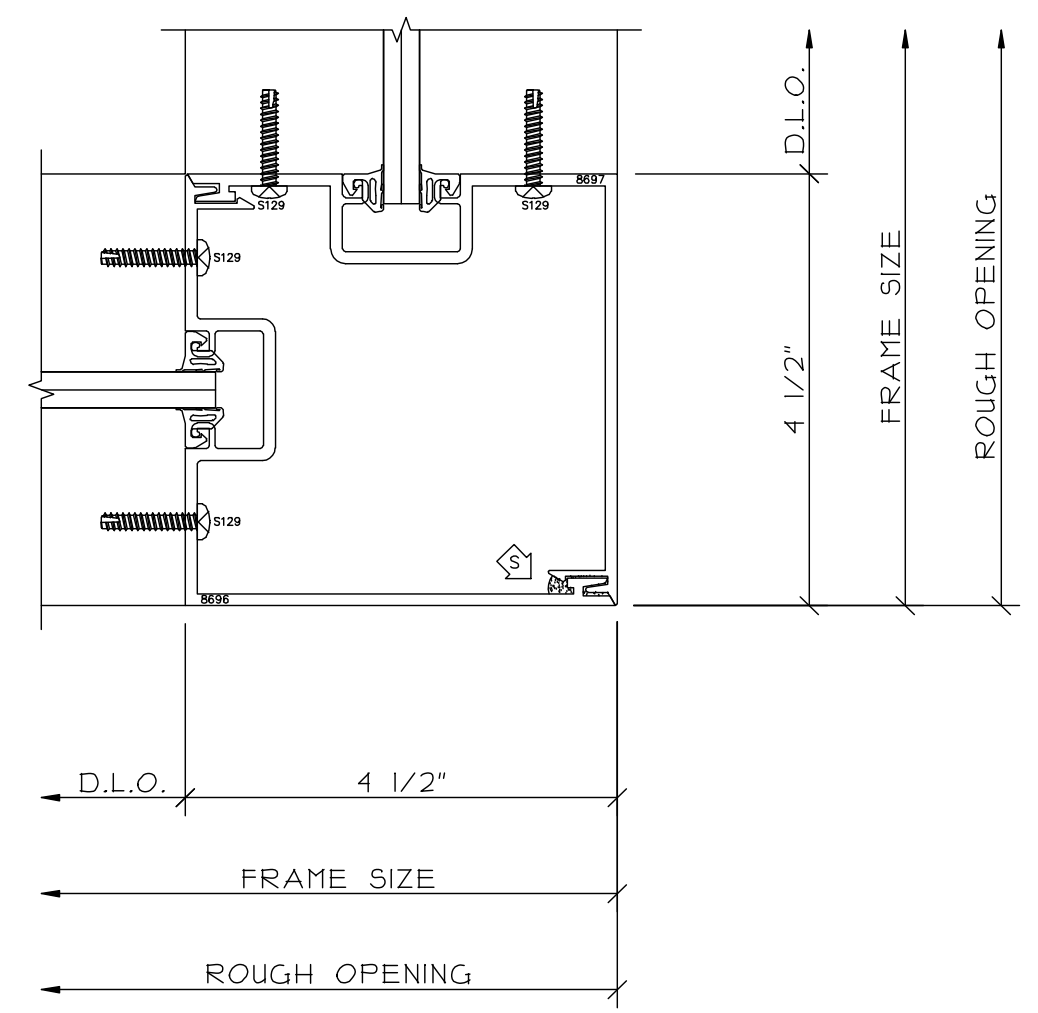
4 DOOR JAMB W/
TRANSOM

5 MEETING STILE

6 DOOR JAMB @
CORNER



7 90° CORNER



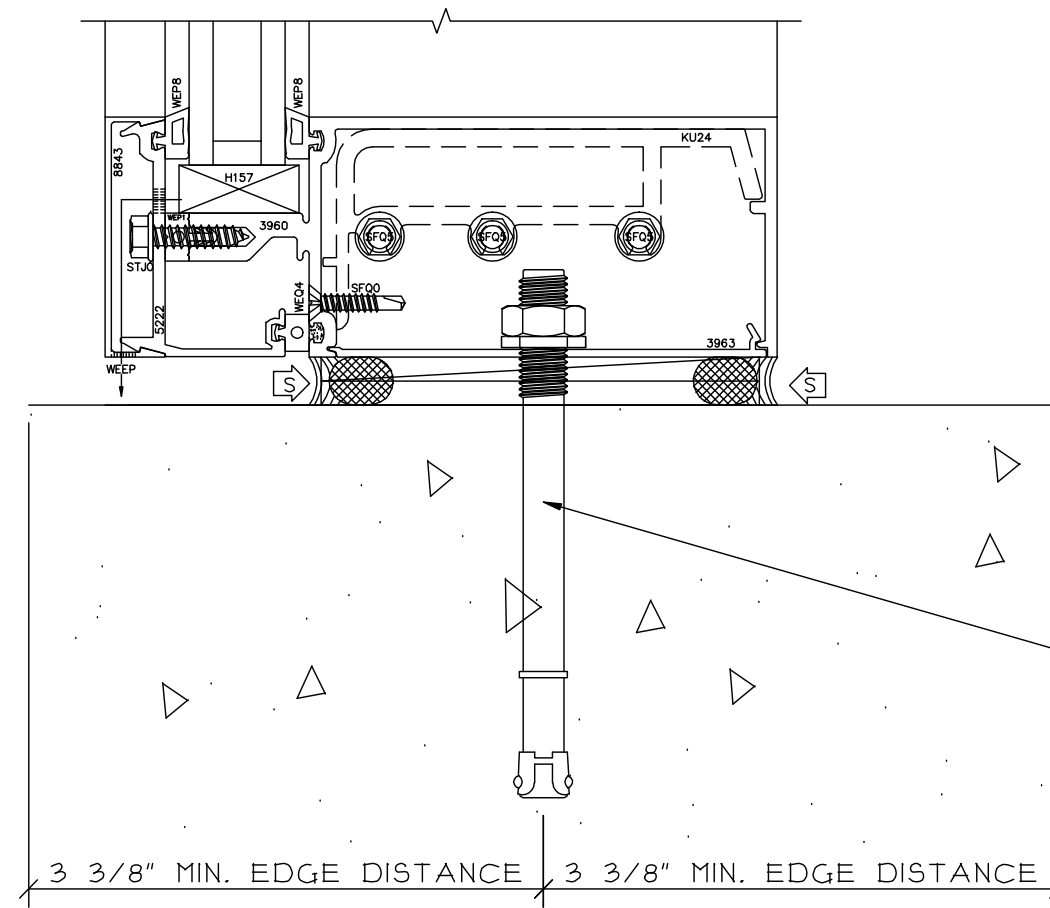
REVISIONS:	DATE:

GLAZING CONTRACTOR:	SAMPLE	SAMPLE	SAMPLE
	SAMPLE	SAMPLE	SAMPLE
	SAMPLE	SAMPLE	SAMPLE
	SAMPLE	SAMPLE	SAMPLE
	SAMPLE	SAMPLE	SAMPLE

ARCHITECT:	SAMPLE	SAMPLE	SAMPLE
	SAMPLE	SAMPLE	SAMPLE
	SAMPLE	SAMPLE	SAMPLE
	SAMPLE	SAMPLE	SAMPLE
	SAMPLE	SAMPLE	SAMPLE

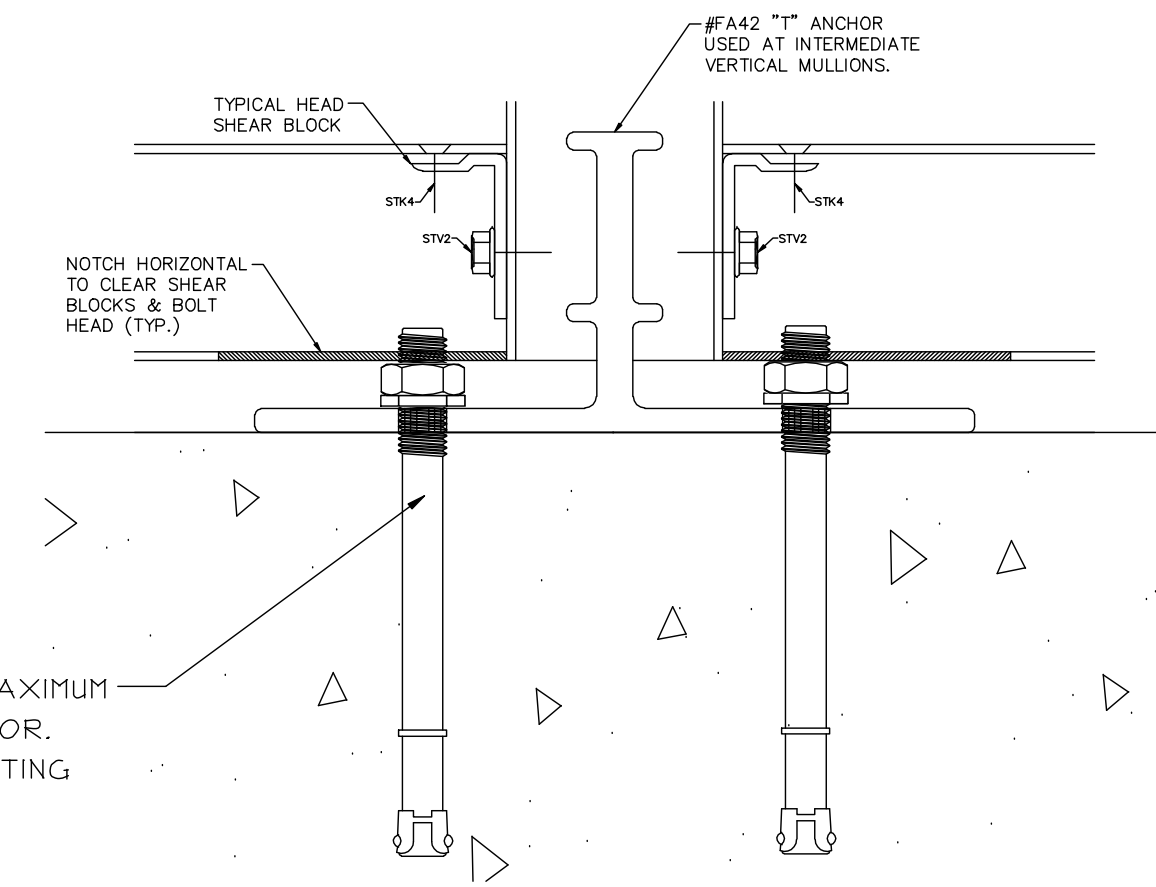
PROJECT:	SAMPLE	SAMPLE	SAMPLE
LOCATION:	SAMPLE	SAMPLE	SAMPLE

SCALE:	6" = 1'-0"
DATE:	SAMPLE
DRAWN:	SAMPLE
PAGE:	25 of 26

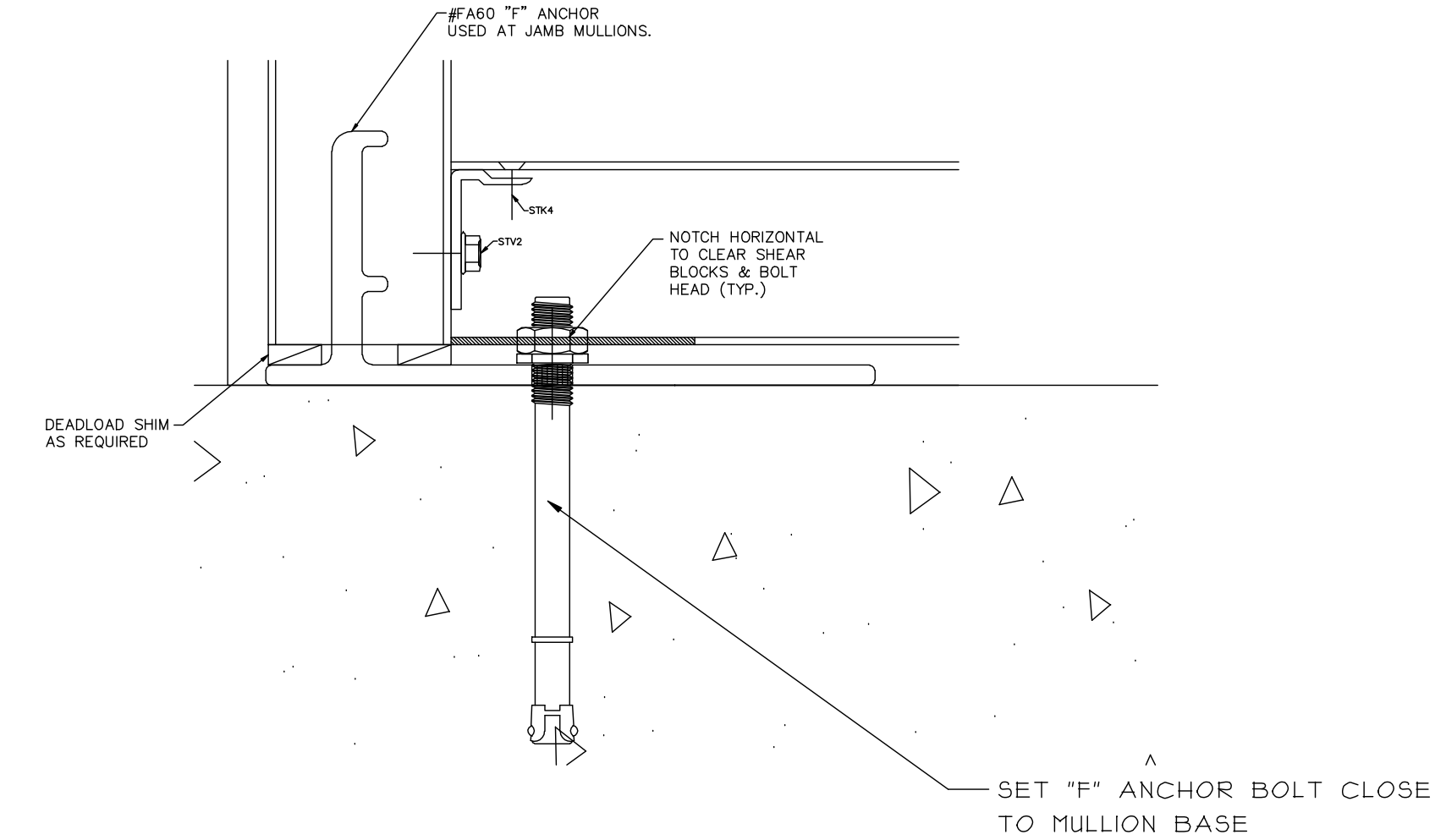


① SECTION THRU "T" & "F" ANCHORS AT SILL AT CONCRETE

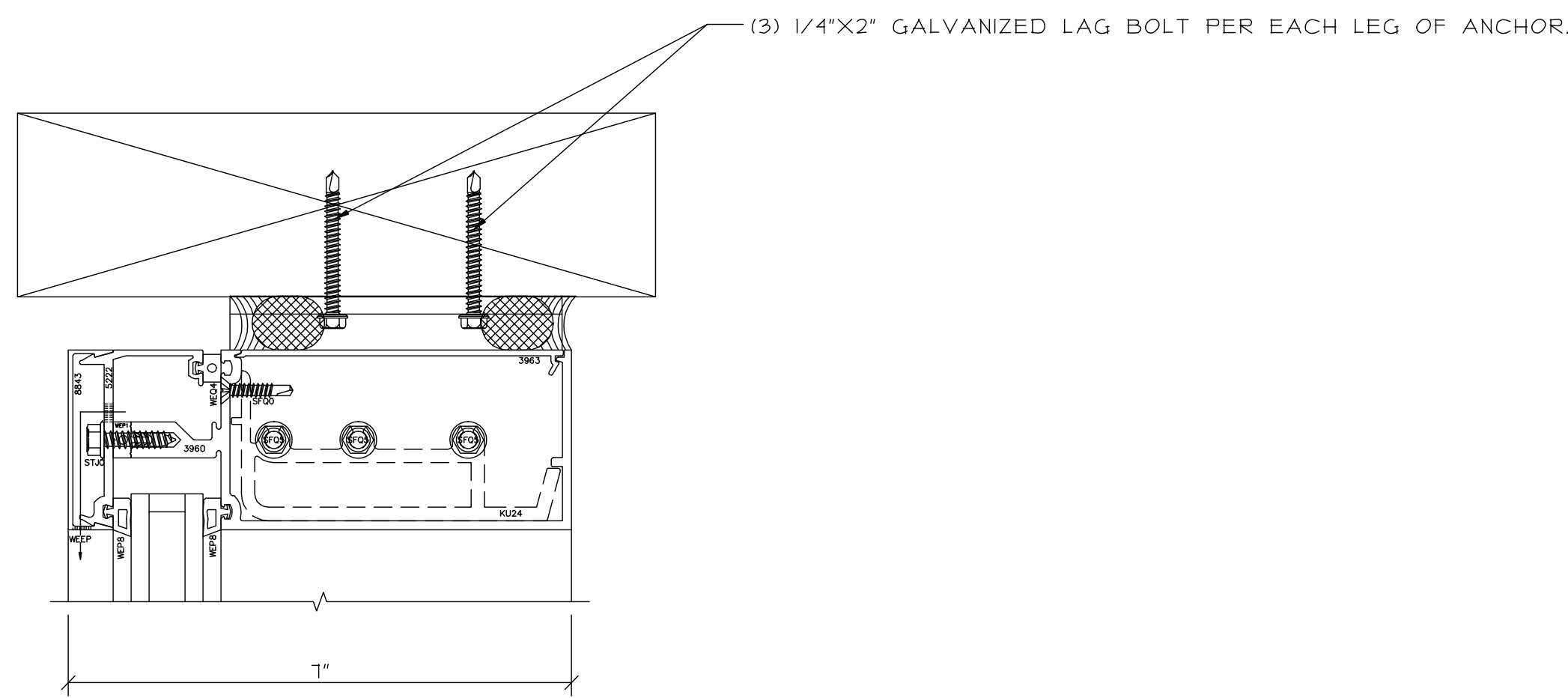
(1) HILTI KB3 1/2 WEDGE BOLT WITH 2-1/4" MINIMUM-3" MAXIMUM EMBEDMENT, ONE IN EACH OUTSTANDING LEG OF ANCHOR. MINIMUM 3-3/8" DISTANCE FROM ALL EDGES OF SUPPORTING CONCRETE STRUCTURES.



② "T" ANCHOR AT SILL AT CONCRETE

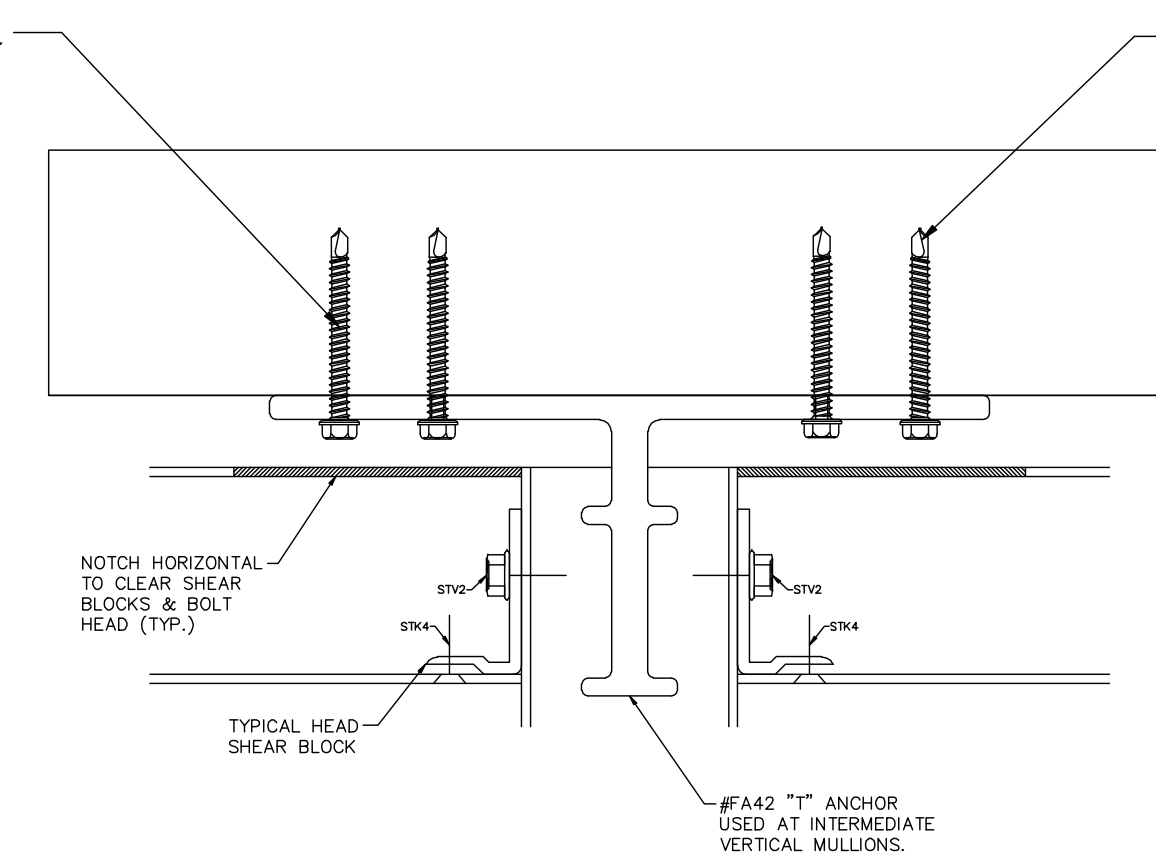


③ "F" ANCHOR AT SILL AT CONCRETE

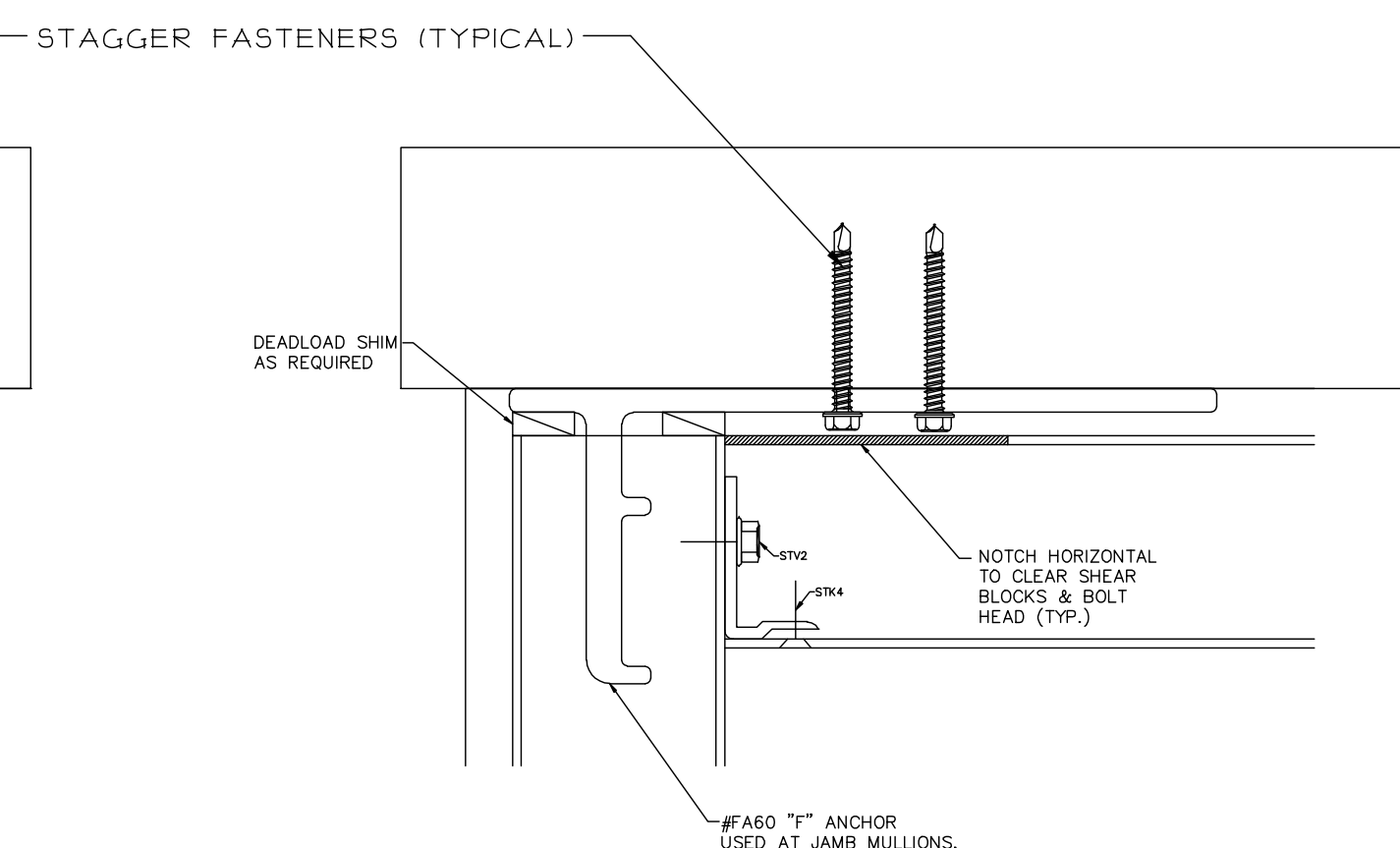


④ SECTION THRU "T" & "F" ANCHORS AT WOOD BLOCKING

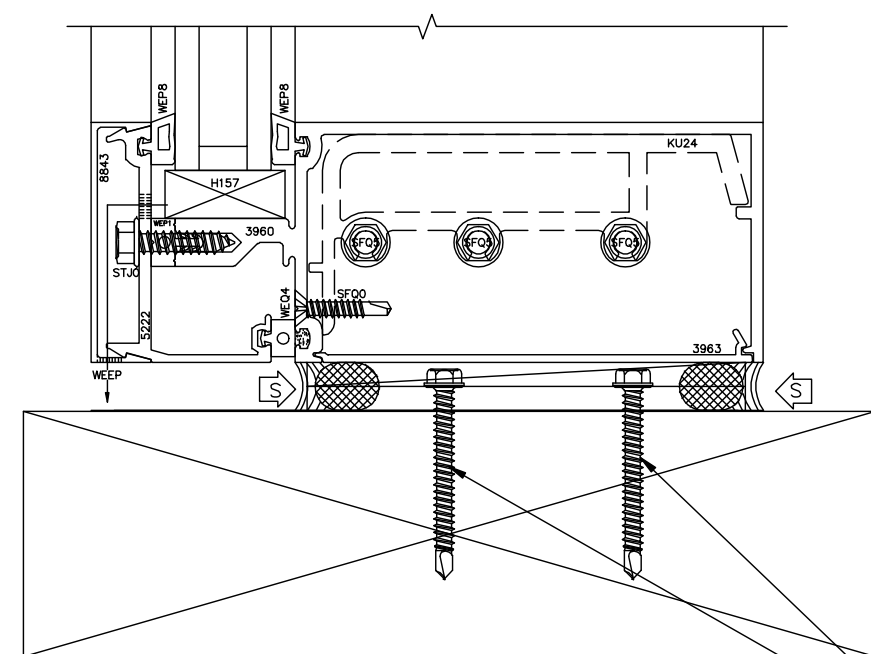
(3) 1/4"x2" GALVANIZED LAG BOLT PER EACH LEG OF ANCHOR.



⑥ "T" ANCHOR AT HEAD AT WOOD BLOCKING

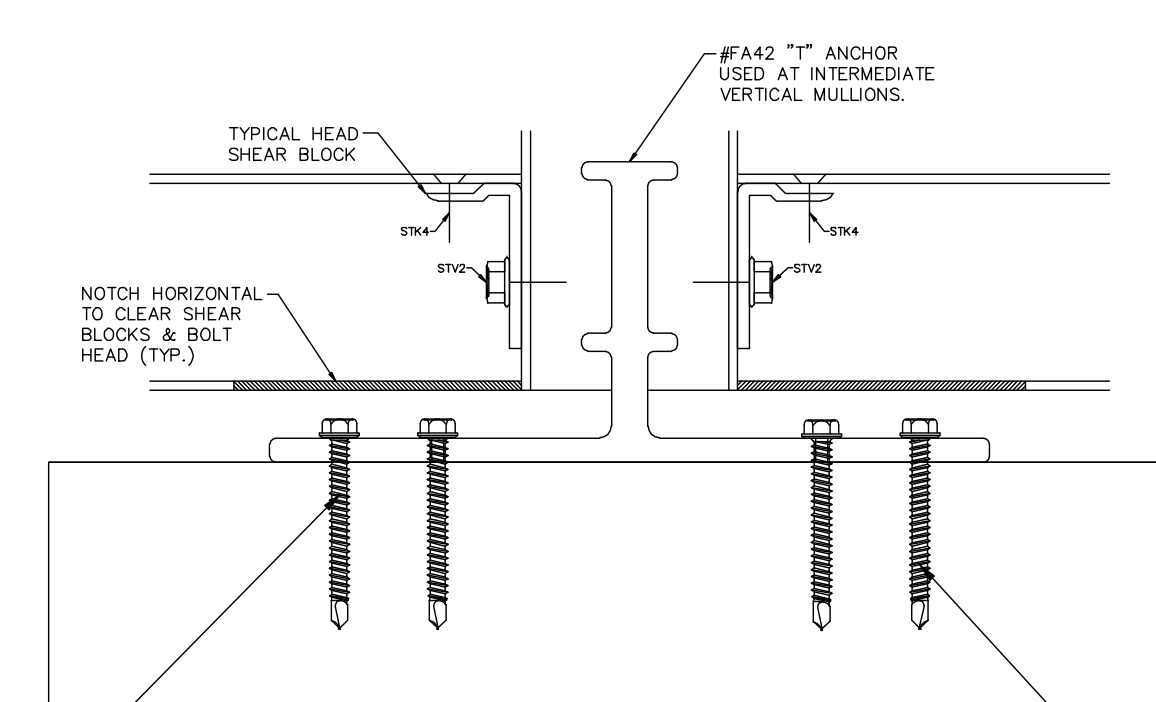


⑧ "F" ANCHOR AT HEAD AT WOOD BLOCKING

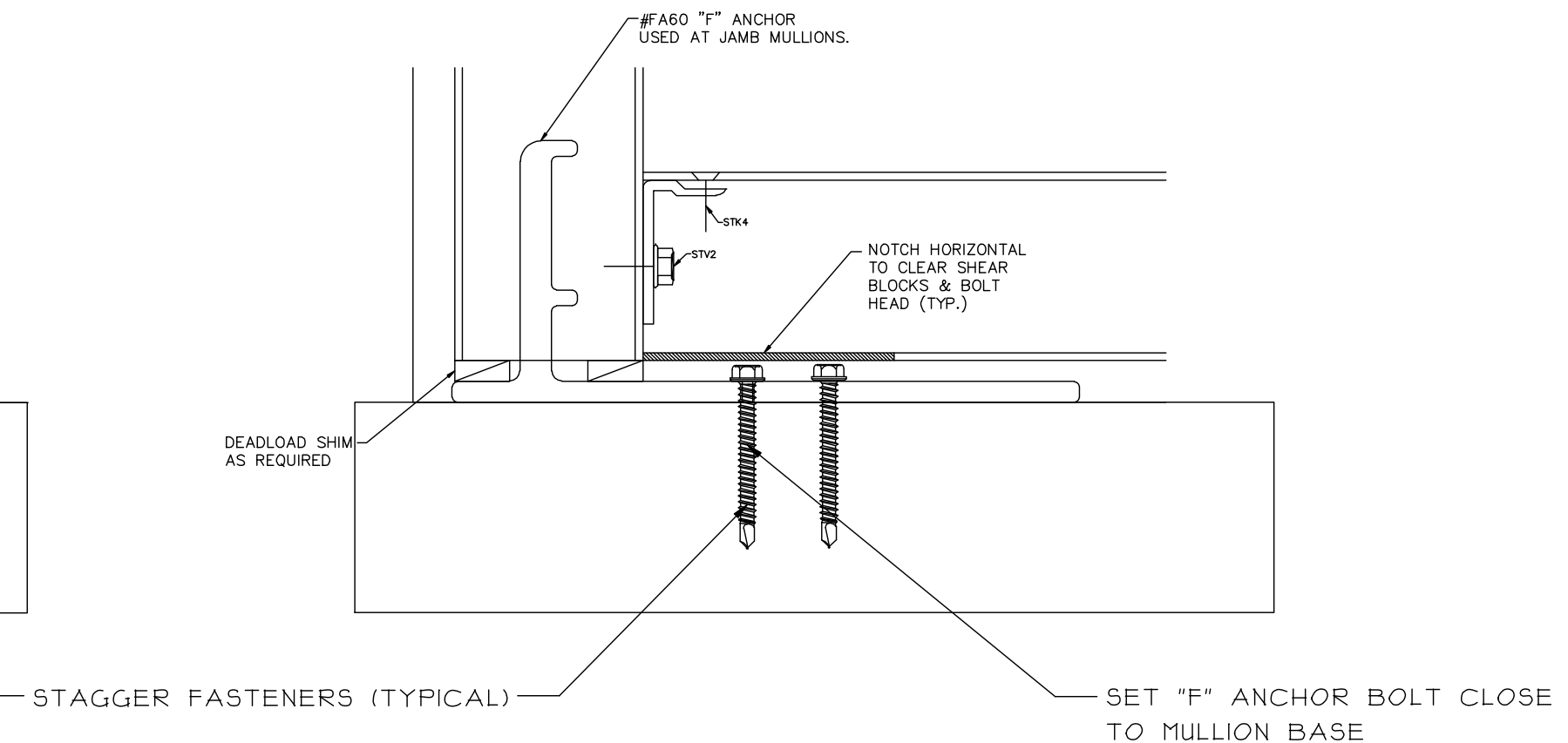


⑤ SECTION THRU "T" & "F" ANCHORS AT WOOD BLOCKING

(4) 1/4"x2" GALVANIZED LAG BOLT PER EACH LEG OF ANCHOR



⑦ "T" ANCHOR AT SILL AT WOOD BLOCKING



⑨ "F" ANCHOR AT SILL AT WOOD BLOCKING

REVISIONS:	DATE:

GLAZING CONTRACTOR:	SAMPLE	SAMPLE	SAMPLE
	SAMPLE	SAMPLE	SAMPLE
	SAMPLE	SAMPLE	SAMPLE
	SAMPLE	SAMPLE	SAMPLE
	SAMPLE	SAMPLE	SAMPLE

ARCHITECT:	SAMPLE	SAMPLE	SAMPLE
	SAMPLE	SAMPLE	SAMPLE
	SAMPLE	SAMPLE	SAMPLE
	SAMPLE	SAMPLE	SAMPLE
	SAMPLE	SAMPLE	SAMPLE

PROJECT:	SAMPLE	SAMPLE	SAMPLE
	SAMPLE	SAMPLE	SAMPLE
	SAMPLE	SAMPLE	SAMPLE
	SAMPLE	SAMPLE	SAMPLE
	SAMPLE	SAMPLE	SAMPLE

SCALE:	6" = 1'-0"
DATE:	SAMPLE
DRAWN:	SAMPLE
PAGE:	26 of 26