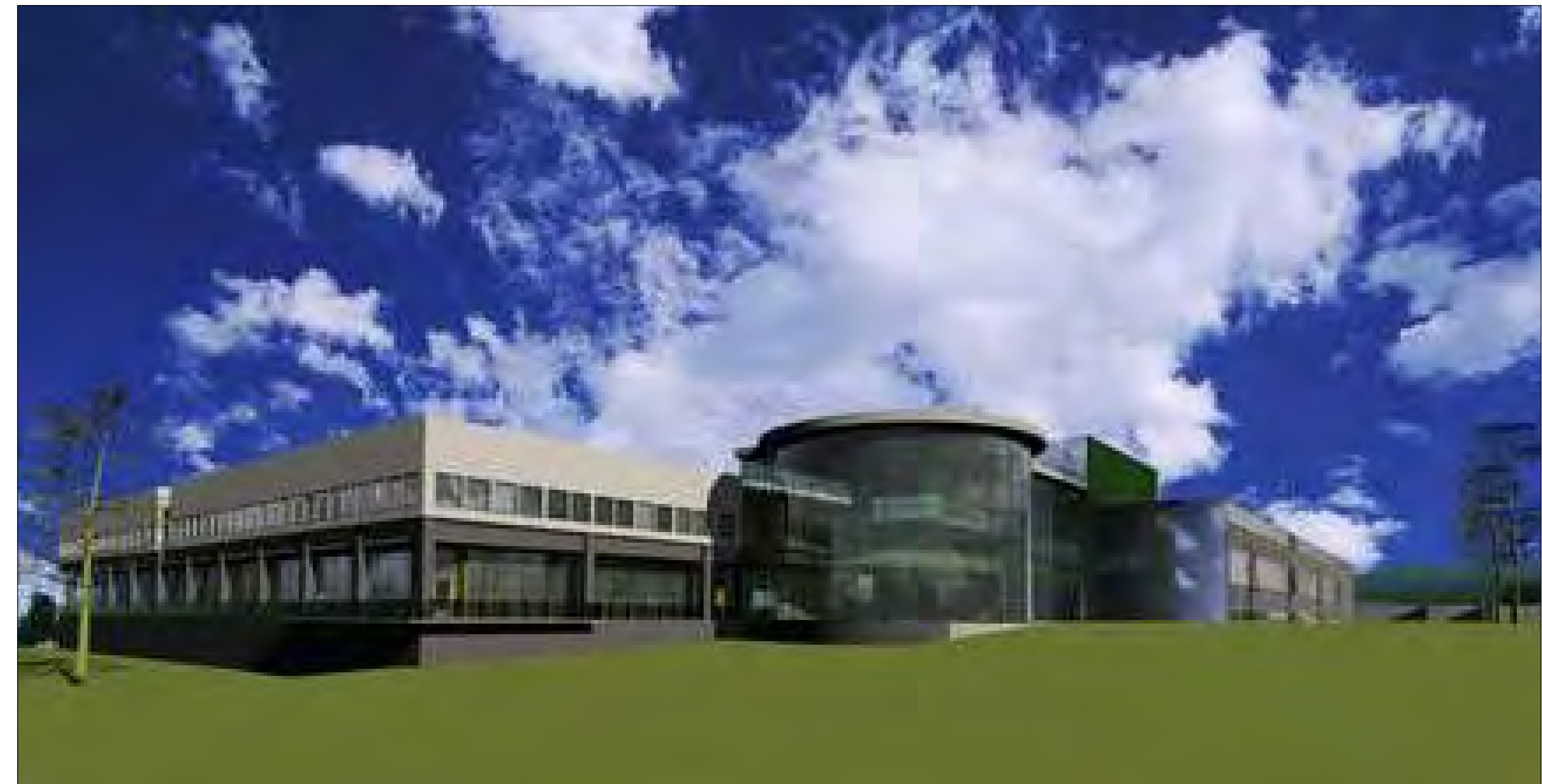


ALUMINUM CURTAIN WALLS, ENTRANCES, E-LITE SHELVES, & SUNSHADES

GENERAL NOTES:

I. GENERAL NOTES



PAGE LIST

CP	- COVER PAGE
1	- FLOOR PLAN LAYOUT
2	- FLOOR PLAN LAYOUT
3	- INDIVIDUAL ELEVATIONS
4	- INDIVIDUAL ELEVATIONS
5	- INDIVIDUAL ELEVATIONS
6	- INDIVIDUAL ELEVATIONS
6A	- RADIUS ROTUNDA LAYOUT
7	- INDIVIDUAL ELEVATIONS
8	- INDIVIDUAL ELEVATIONS
9	- INDIVIDUAL ELEVATIONS
10	- INDIVIDUAL ELEVATIONS
11	- INDIVIDUAL ELEVATIONS
11A	- RADIUS ENTRANCE LAYOUT
11B	- RADIUS ENTRANCE LAYOUT
12	- INDIVIDUAL ELEVATIONS
13	- INDIVIDUAL ELEVATIONS
14	- INDIVIDUAL ELEVATIONS
15	- INDIVIDUAL ELEVATIONS
16	- INDIVIDUAL ELEVATIONS
17	- DETAILS
18	- DETAILS
19	- DETAILS
20	- DETAILS
21	- DETAILS
22	- DETAILS
23	- DETAILS
24	- DETAILS
25	- DETAILS
26	- DETAILS
27	- DETAILS
28	- DETAILS
29	- DETAILS
30	- DETAILS
31	- DETAILS
32	- DETAILS
33	- DETAILS
34	- DETAILS
35	- DETAILS
36	- DETAILS
37	- DETAILS
38	- DETAILS
39	- DETAILS
40	- DETAILS

DATE:	

REVISIONS:	

GLAZING CONTRACTOR:	SAMPLE	SAMPLE	SAMPLE	SAMPLE
	SAMPLE	SAMPLE	SAMPLE	SAMPLE
	SAMPLE	SAMPLE	SAMPLE	SAMPLE
	SAMPLE	SAMPLE	SAMPLE	SAMPLE
	SAMPLE	SAMPLE	SAMPLE	SAMPLE

ARCHITECT:	SAMPLE	SAMPLE	SAMPLE	SAMPLE
	SAMPLE	SAMPLE	SAMPLE	SAMPLE
	SAMPLE	SAMPLE	SAMPLE	SAMPLE
	SAMPLE	SAMPLE	SAMPLE	SAMPLE
	SAMPLE	SAMPLE	SAMPLE	SAMPLE

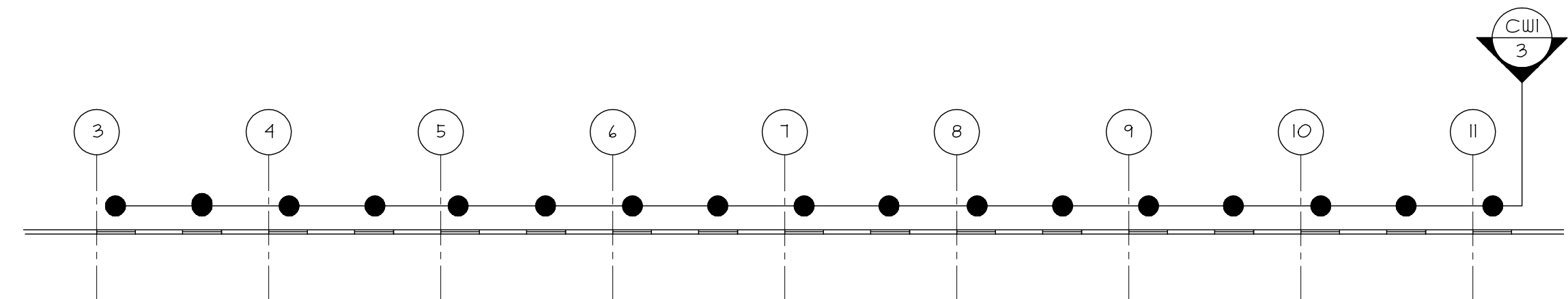
PROJECT:	SAMPLE	SAMPLE	SAMPLE	SAMPLE
LOCATION:	SAMPLE	SAMPLE	SAMPLE	SAMPLE

SCALE:
1/16" = 1'-0"

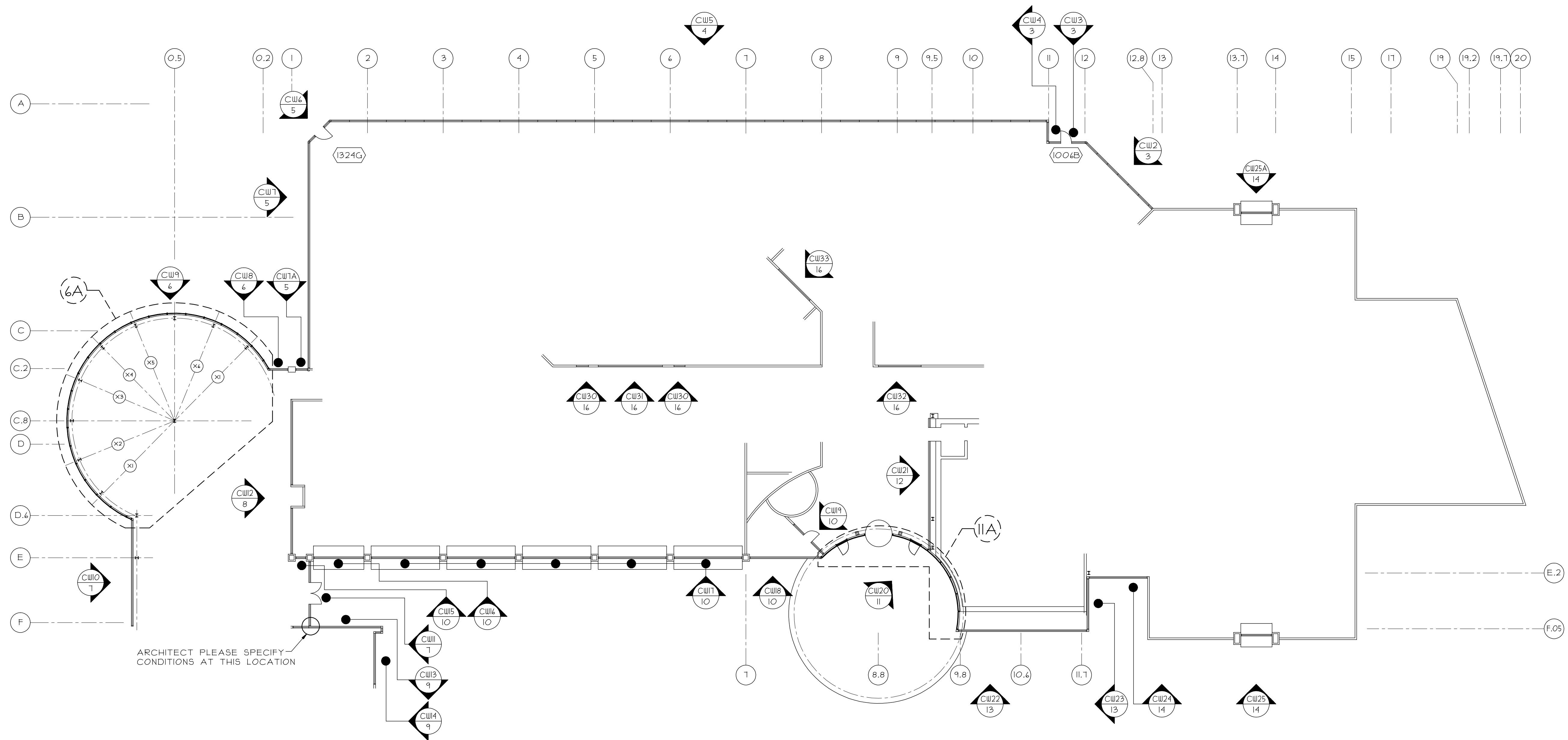
DATE:
SAMPLE

DRAWN:
SAMPLE

PAGE:
CP



PARTIAL BASEMENT PLAN
REF. A3.10



FIRST FLOOR PLAN
REF. A3.20 & A3.21

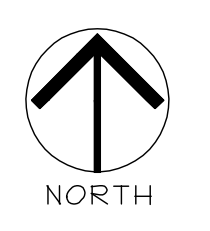
REVISIONS:	DATE:

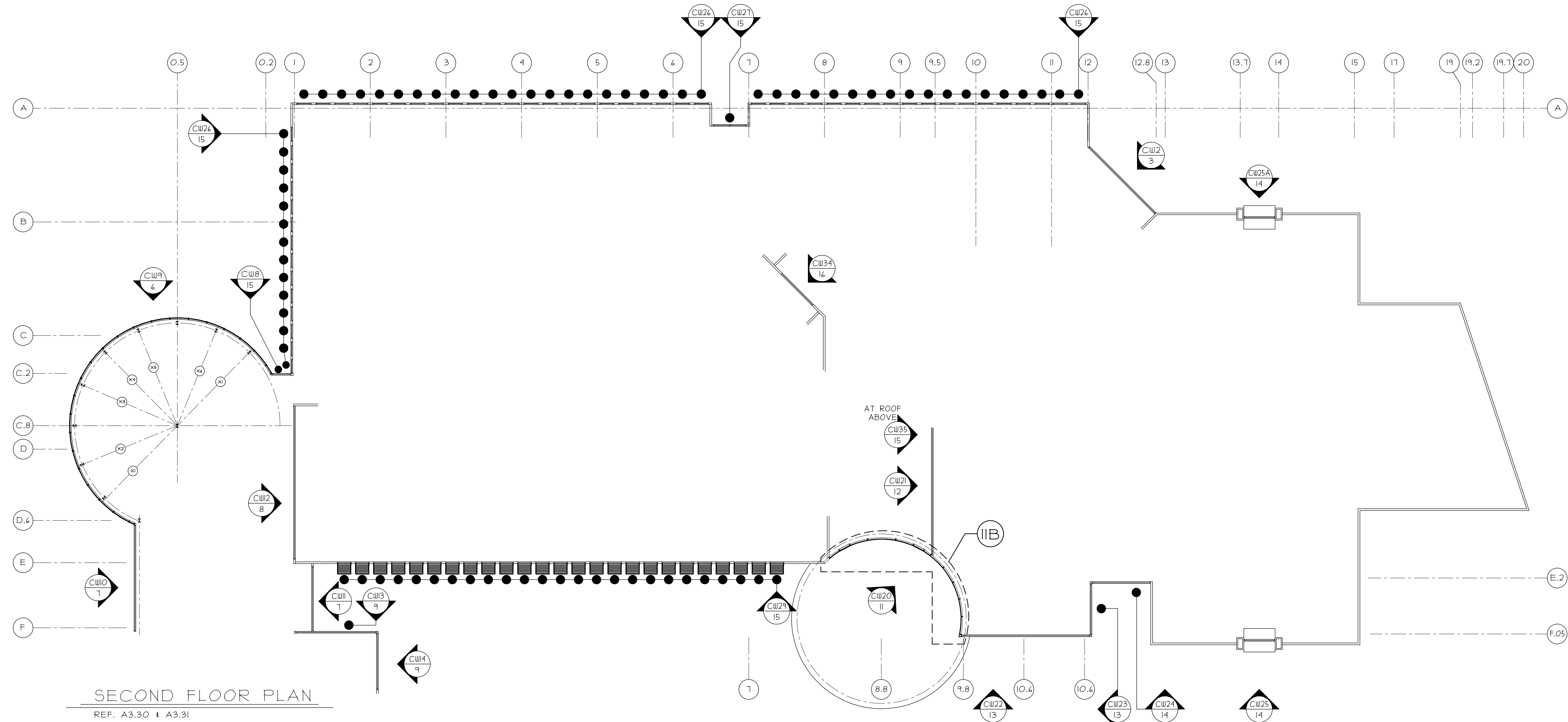
GLAZING CONTRACTOR:	SAMPLE	SAMPLE	SAMPLE
	SAMPLE	SAMPLE	SAMPLE
	SAMPLE	SAMPLE	SAMPLE
	SAMPLE	SAMPLE	SAMPLE
	SAMPLE	SAMPLE	SAMPLE

ARCHITECT:	SAMPLE	SAMPLE	SAMPLE
	SAMPLE	SAMPLE	SAMPLE
	SAMPLE	SAMPLE	SAMPLE
	SAMPLE	SAMPLE	SAMPLE
	SAMPLE	SAMPLE	SAMPLE

PROJECT:	SAMPLE	SAMPLE	SAMPLE
LOCATION:	SAMPLE	SAMPLE	SAMPLE

SCALE:	1/16" = 1'-0"
DATE:	SAMPLE
DRAWN:	SAMPLE
PAGE:	1





SECOND FLOOR PLAN
REF. A3.30 & A3.31

REVISIONS:	DATE:

GLAZING CONTRACTOR:	SAMPLE	SAMPLE	SAMPLE	SAMPLE
	SAMPLE	SAMPLE	SAMPLE	SAMPLE
	SAMPLE	SAMPLE	SAMPLE	SAMPLE
	SAMPLE	SAMPLE	SAMPLE	SAMPLE
	SAMPLE	SAMPLE	SAMPLE	SAMPLE

ARCHITECT:	SAMPLE	SAMPLE	SAMPLE	SAMPLE
	SAMPLE	SAMPLE	SAMPLE	SAMPLE
	SAMPLE	SAMPLE	SAMPLE	SAMPLE
	SAMPLE	SAMPLE	SAMPLE	SAMPLE
	SAMPLE	SAMPLE	SAMPLE	SAMPLE

PROJECT:	SAMPLE	SAMPLE	SAMPLE	SAMPLE
LOCATION:	SAMPLE	SAMPLE	SAMPLE	SAMPLE

SCALE:	1/16" = 1'-0"
DATE:	SAMPLE
DRAWN:	SAMPLE
PAGE:	2

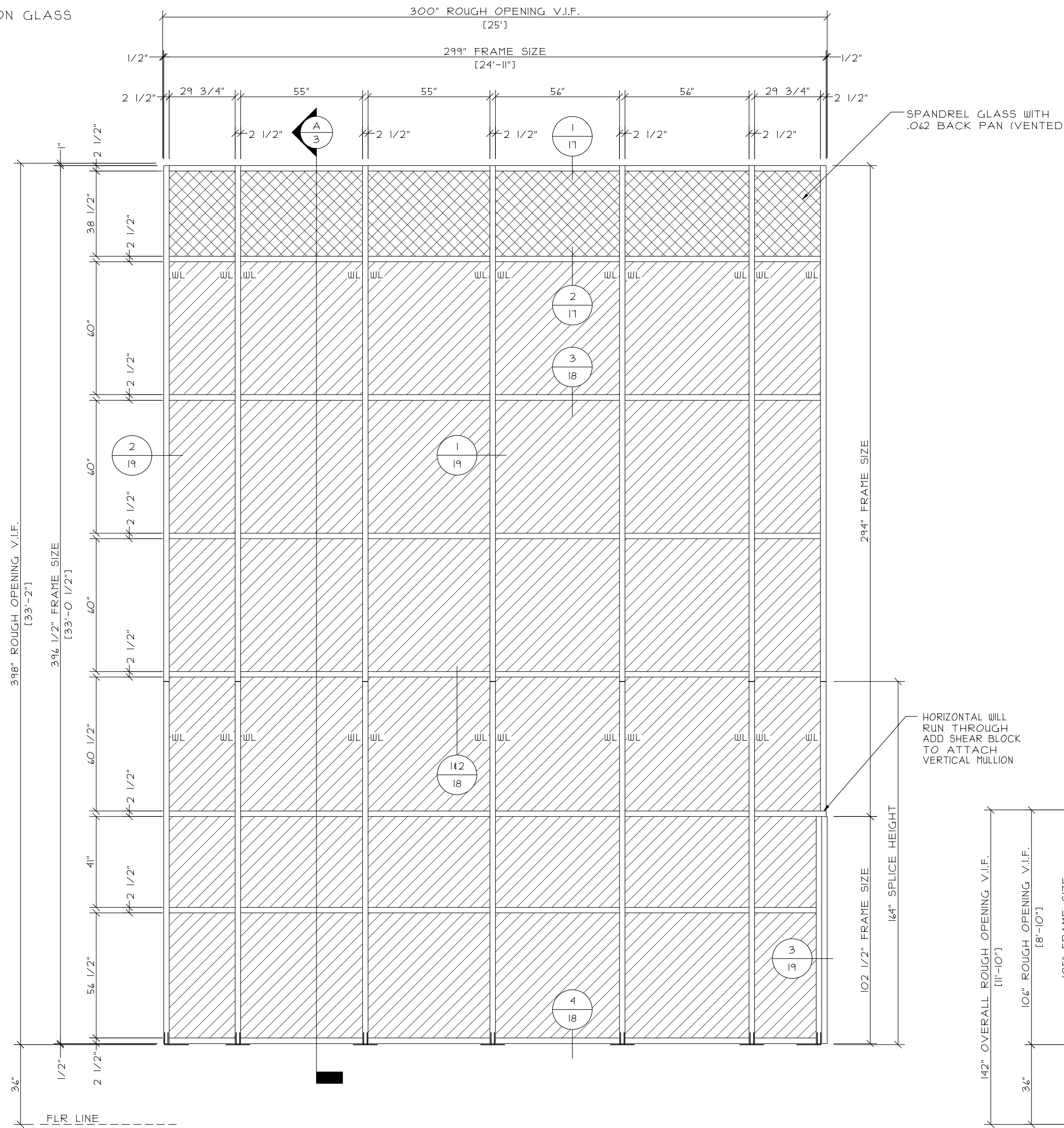
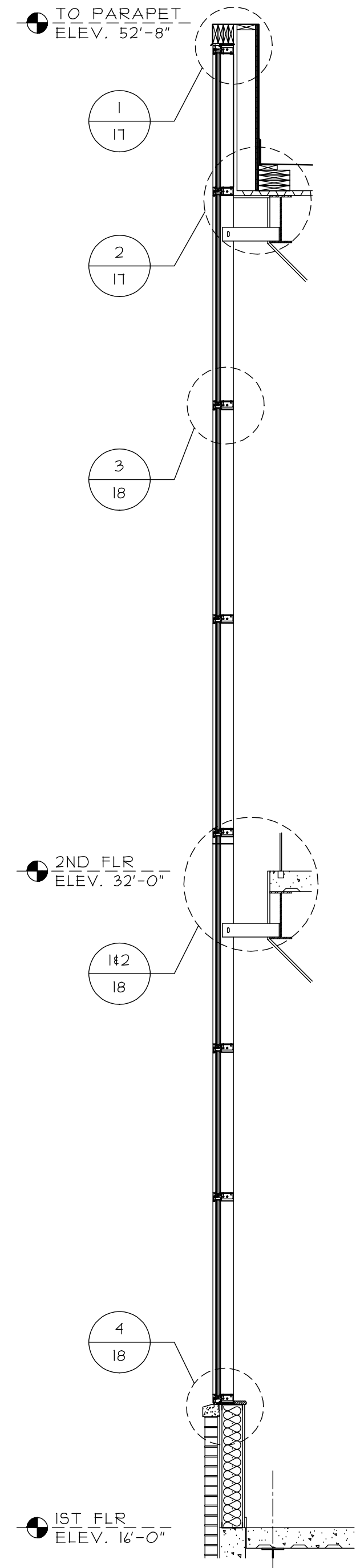


WL = DENOTES WIND LOAD CLIP LOCATION

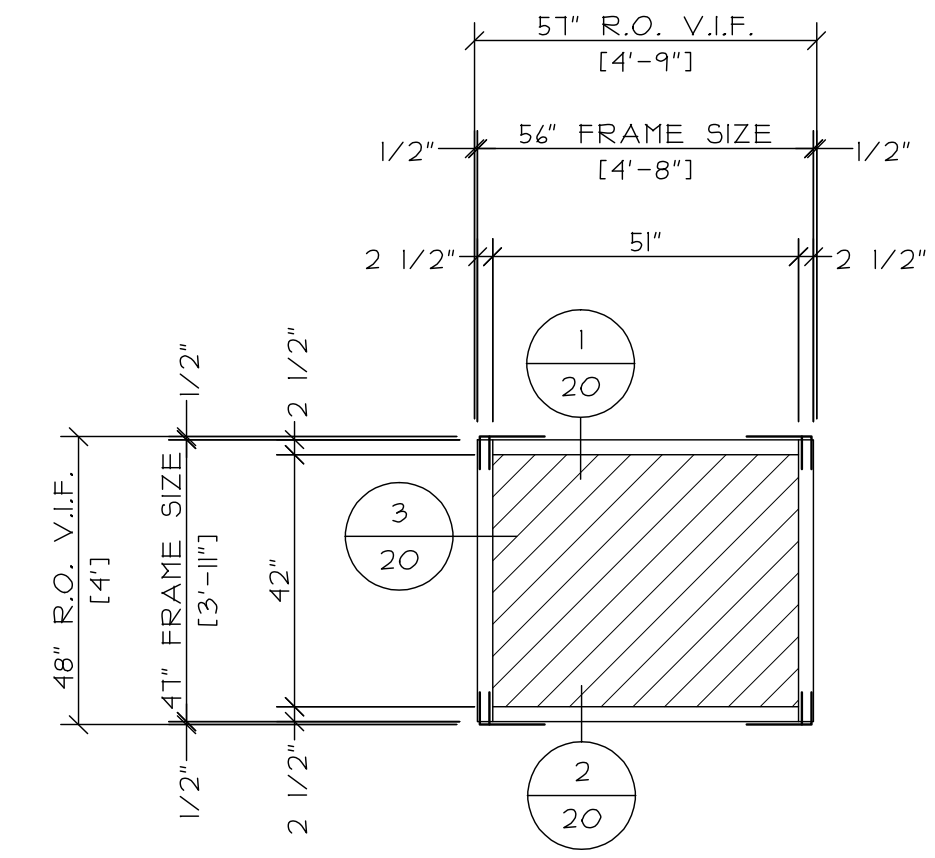
 = DENOTES F & T ANCHORS
SEE PAGE 36 FOR DETAILS

 =GS2 - DENOTES 1" SPANDREL GLASS
WITH VENTED BACK PAN

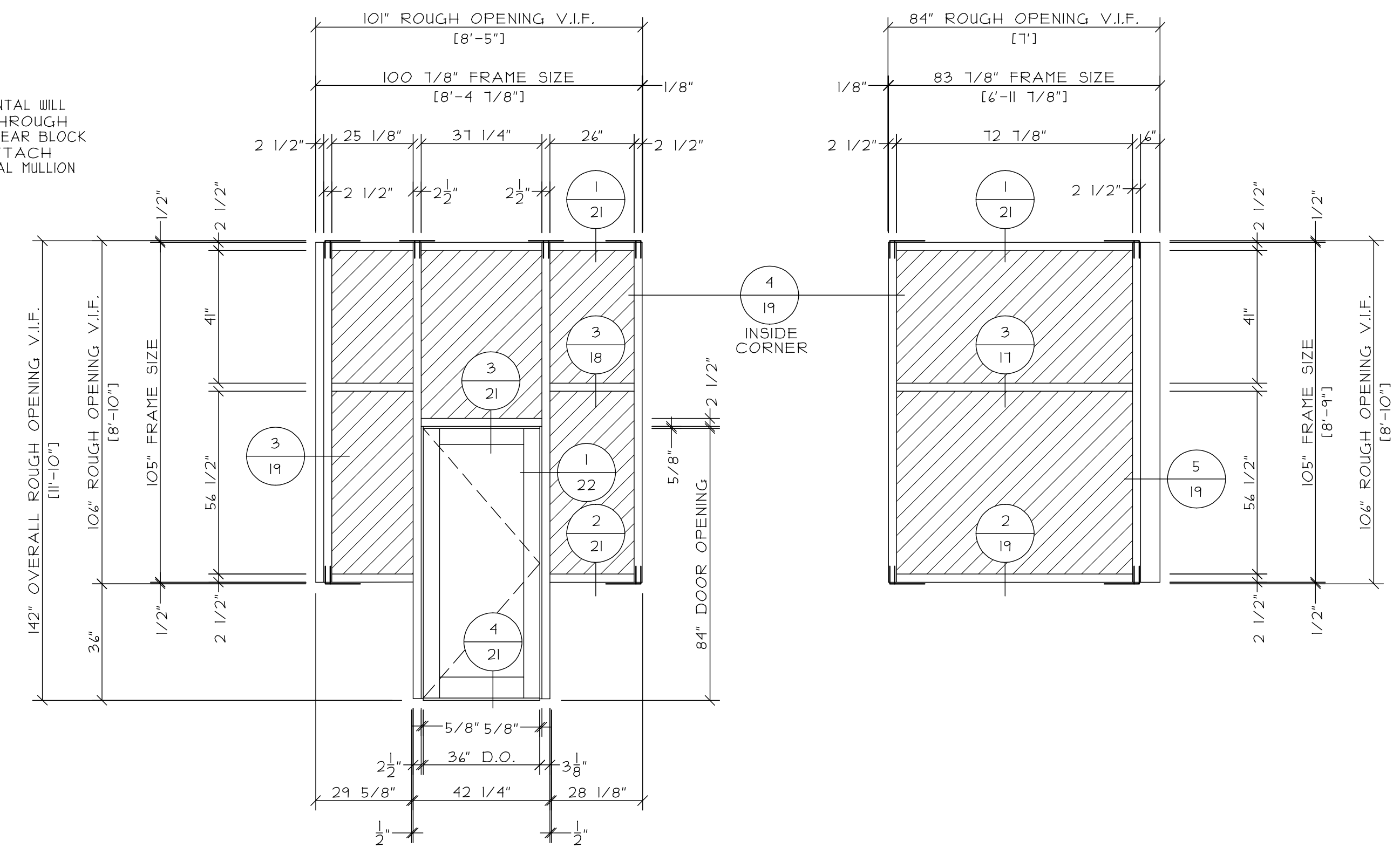
 =GSI - DENOTES 1" VISION GLASS



WINDOW TYPE CW2
1 TOTAL
EFCO 5600 CURTAIN WALL



WINDOW TYPE CW1
17 TOTAL
EFCO 5600 CURTAIN WALL



WINDOW TYPE CW3
1 TOTAL
EFCO 5600 CURTAIN WALL AND DOOR #10006B WITH HARDWARE SET 2

WINDOW TYPE CW4
1 TOTAL
EFCO 5600 CURTAIN WALL

REVISIONS:	DATE:

GLAZING CONTRACTOR:	SAMPLE SAMPLE SAMPLE
	SAMPLE SAMPLE SAMPLE
	SAMPLE SAMPLE SAMPLE
	SAMPLE SAMPLE SAMPLE
	SAMPLE SAMPLE SAMPLE

ARCHITECT:	SAMPLE SAMPLE SAMPLE
	SAMPLE SAMPLE SAMPLE
	SAMPLE SAMPLE SAMPLE
	SAMPLE SAMPLE SAMPLE
	SAMPLE SAMPLE SAMPLE

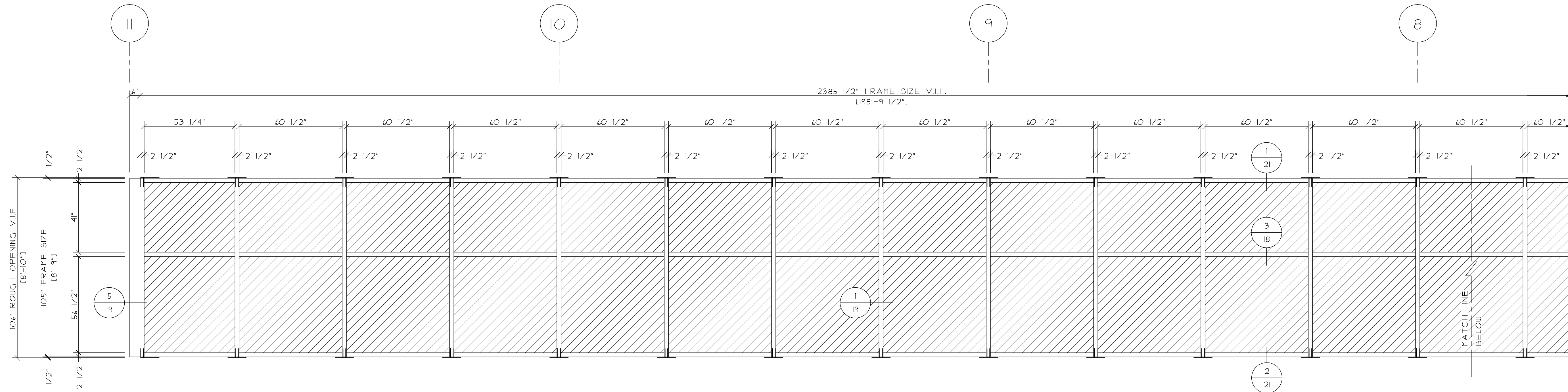
PROJECT:	SAMPLE SAMPLE SAMPLE
LOCATION:	SAMPLE SAMPLE SAMPLE

SCALE:
3/8" = 1'-0"

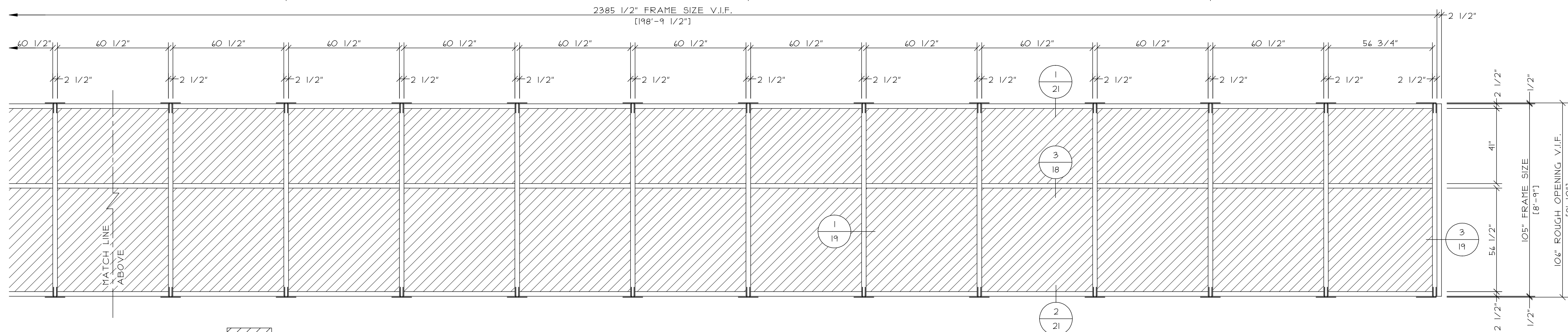
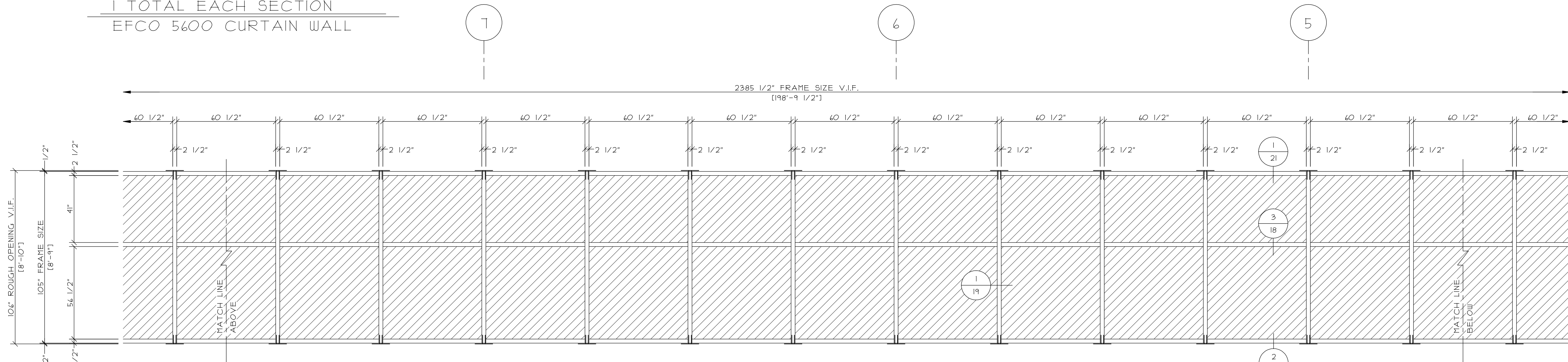
DATE:
SAMPLE

DRAWN:
SAMPLE

PAGE:
3



WINDOW TYPE CW5 - THIS PAGE
 1 TOTAL EACH SECTION
 EFCO 5600 CURTAIN WALL



= DENOTES F & T ANCHORS
 SEE PAGE 36 FOR DETAILS

= GSI - DENOTES 1\"/>

REVISIONS:	DATE:

GLAZING CONTRACTOR:
 SAMPLE SAMPLE SAMPLE
 SAMPLE SAMPLE SAMPLE
 SAMPLE SAMPLE SAMPLE
 SAMPLE SAMPLE SAMPLE
 SAMPLE SAMPLE SAMPLE

ARCHITECT:
 SAMPLE SAMPLE SAMPLE
 SAMPLE SAMPLE SAMPLE
 SAMPLE SAMPLE SAMPLE
 SAMPLE SAMPLE SAMPLE
 SAMPLE SAMPLE SAMPLE

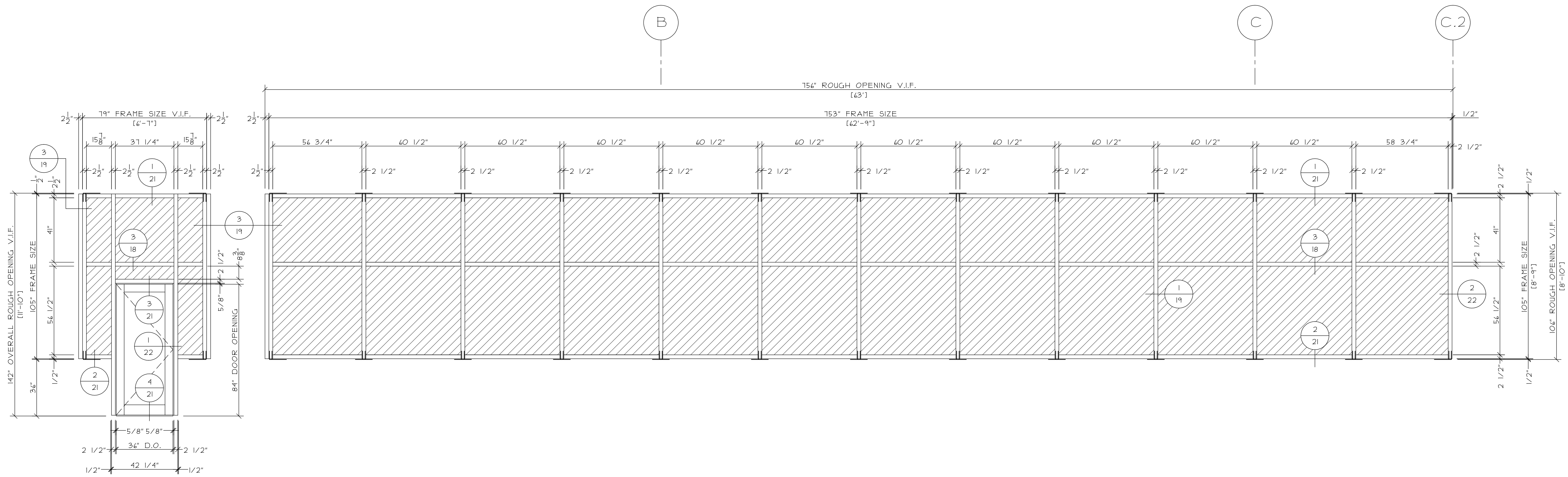
PROJECT: SAMPLE SAMPLE SAMPLE
 LOCATION: SAMPLE SAMPLE SAMPLE

SCALE:
 3/8" = 1'-0"

DATE:
 SAMPLE

DRAWN:
 SAMPLE

PAGE:
 4



WINDOW TYPE CW6

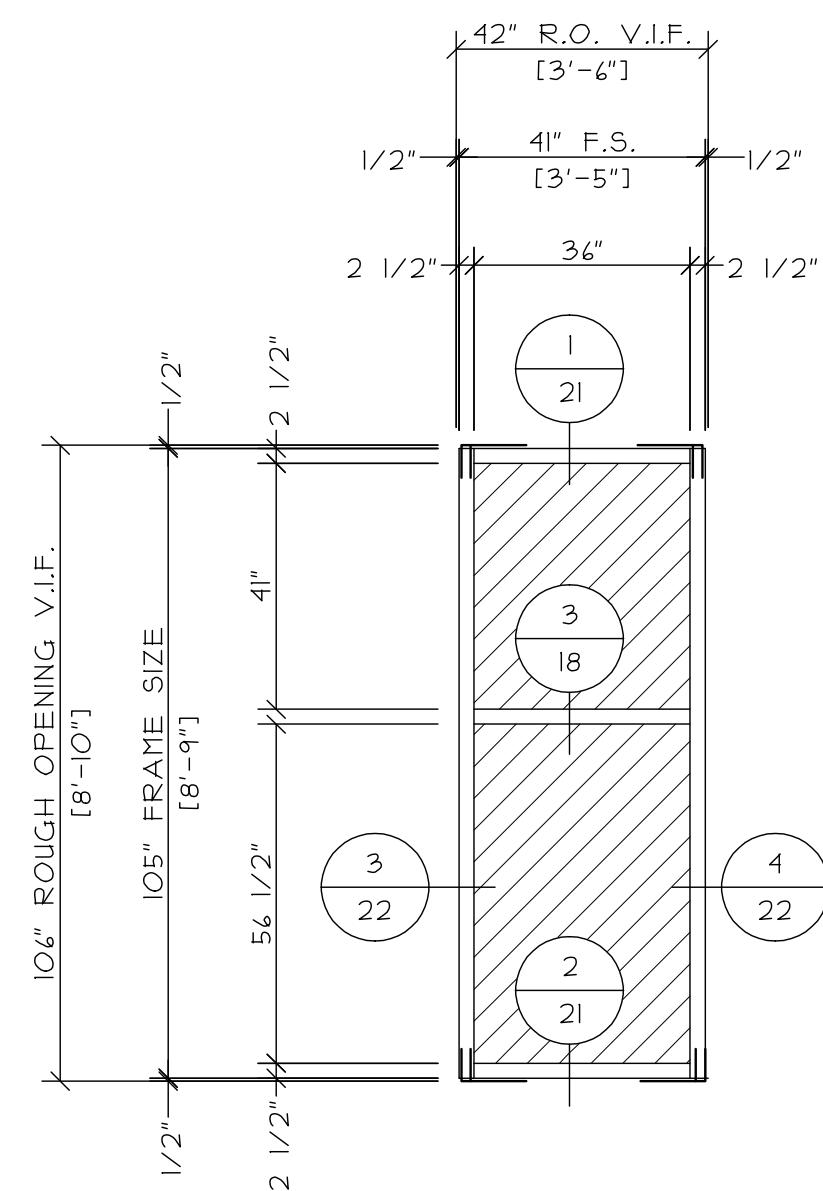
1 TOTAL

EFCO 5600 CURTAIN WALL
AND DOOR #1324G WITH
HARDWARE SET 2

WINDOW TYPE CW1

1 TOTAL

EFCO 5600 CURTAIN WALL



WINDOW TYPE CW1A

1 TOTAL

EFCO 5600 CURTAIN WALL

 = DENOTES F & T ANCHORS
SEE PAGE 36 FOR DETAILS

 =GSI - DENOTES 1\"/>

REVISIONS:

GLAZING CONTRACTOR:
SAMPLE SAMPLE SAMPLE
SAMPLE SAMPLE SAMPLE
SAMPLE SAMPLE SAMPLE
SAMPLE SAMPLE SAMPLE

ARCHITECT:
SAMPLE SAMPLE SAMPLE
SAMPLE SAMPLE SAMPLE
SAMPLE SAMPLE SAMPLE
SAMPLE SAMPLE SAMPLE

PROJECT: SAMPLE SAMPLE SAMPLE

LOCATION: SAMPLE SAMPLE SAMPLE

SCALE:
3/8" = 1'-0"

DATE:
SAMPLE

DRAWN:
SAMPLE

PAGE:
5

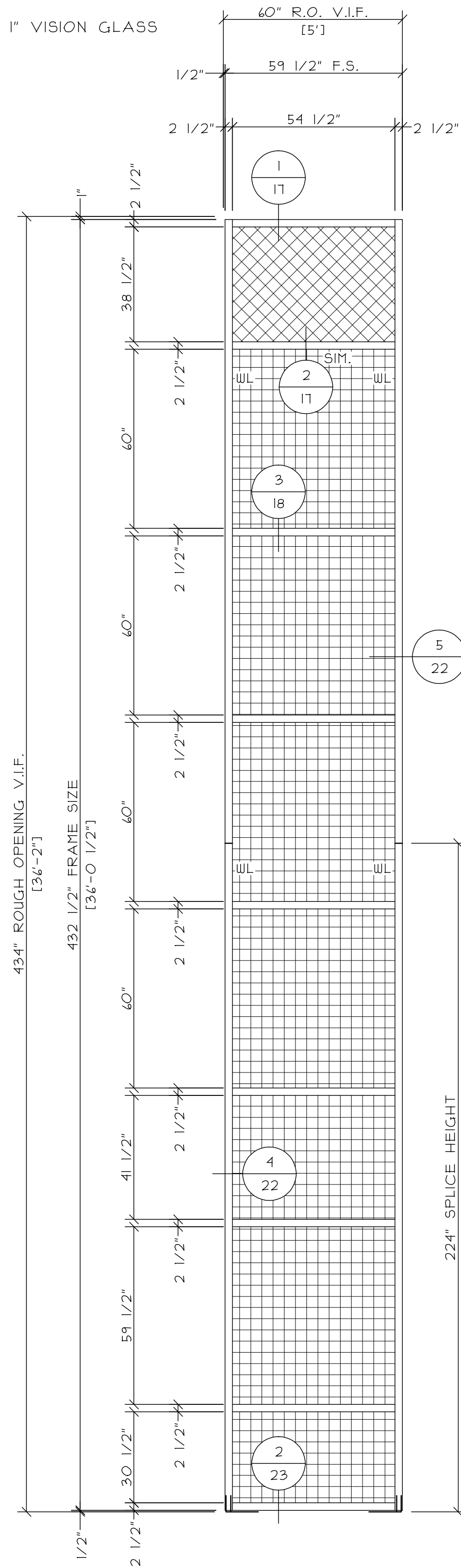
DATE:

WL = DENOTES WIND LOAD CLIP LOCATION

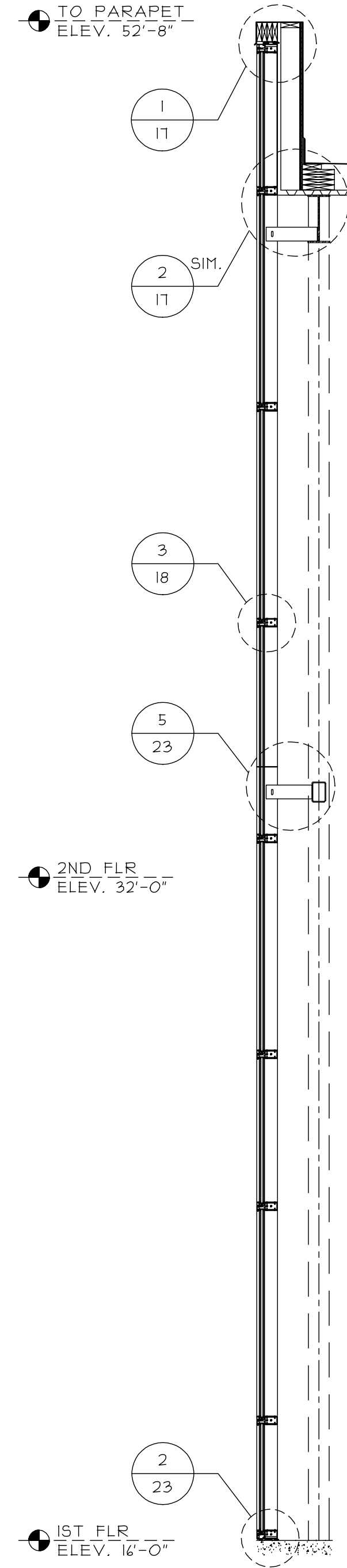
 = DENOTES F & T ANCHORS
SEE PAGE 36 FOR DETAILS

 =G52 - DENOTES 1" SPANDREL GLASS
WITH VENTED BACK PAN

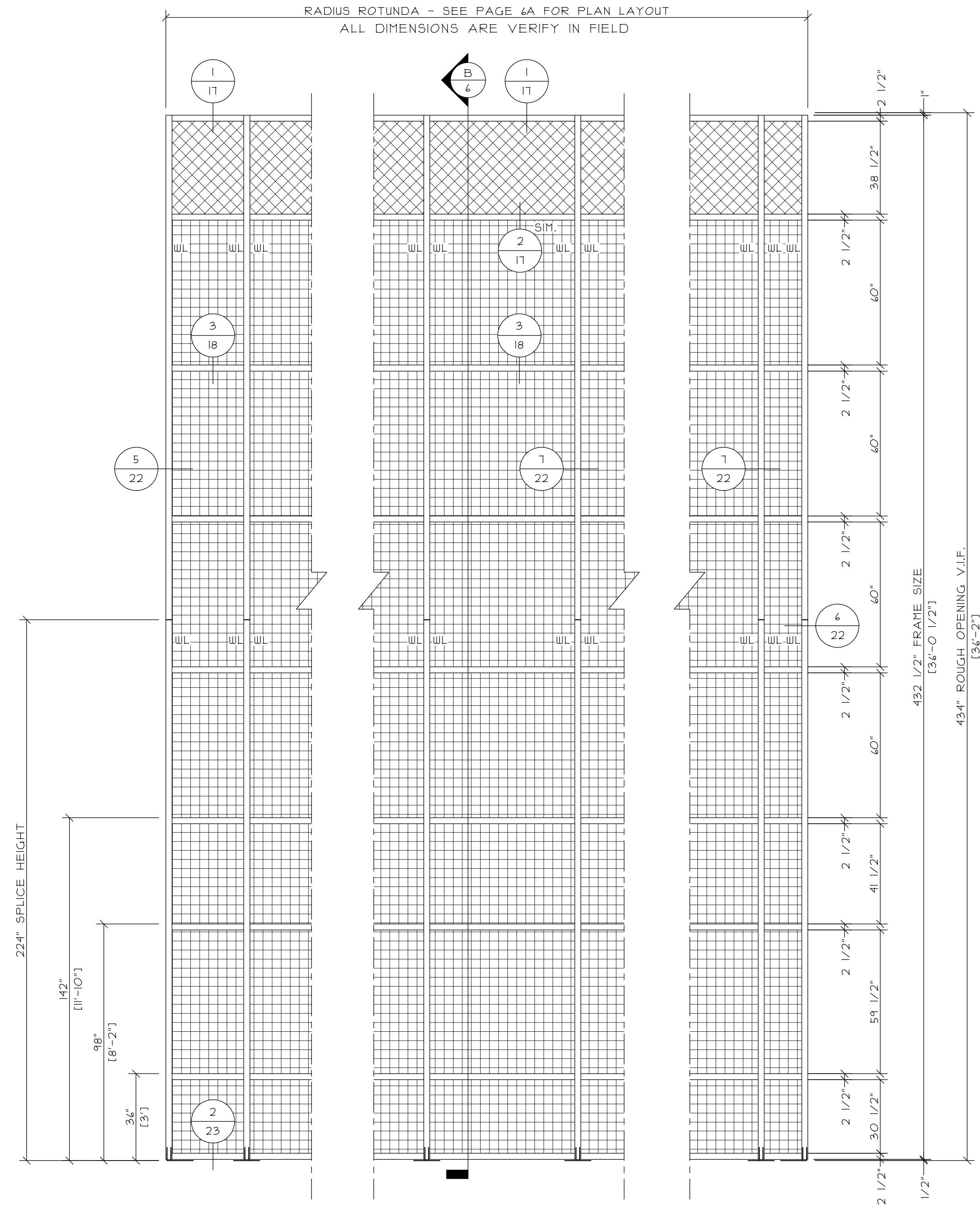
 =G55 - DENOTES 1" VISION GLASS



WINDOW TYPE CW8
1 TOTAL
EFCO 5600 CURTAIN WALL



SECTION B
REF. 1/A6.05



WINDOW TYPE CW9
SEE PAGE 6A FOR TOTALS
EFCO 5600 CURTAIN WALL

DATE:

REVISIONS:

GLAZING CONTRACTOR:
SAMPLE SAMPLE SAMPLE
SAMPLE SAMPLE SAMPLE
SAMPLE SAMPLE SAMPLE
SAMPLE SAMPLE SAMPLE
SAMPLE SAMPLE SAMPLE

ARCHITECT:
SAMPLE SAMPLE SAMPLE
SAMPLE SAMPLE SAMPLE
SAMPLE SAMPLE SAMPLE
SAMPLE SAMPLE SAMPLE
SAMPLE SAMPLE SAMPLE

PROJECT: SAMPLE SAMPLE SAMPLE

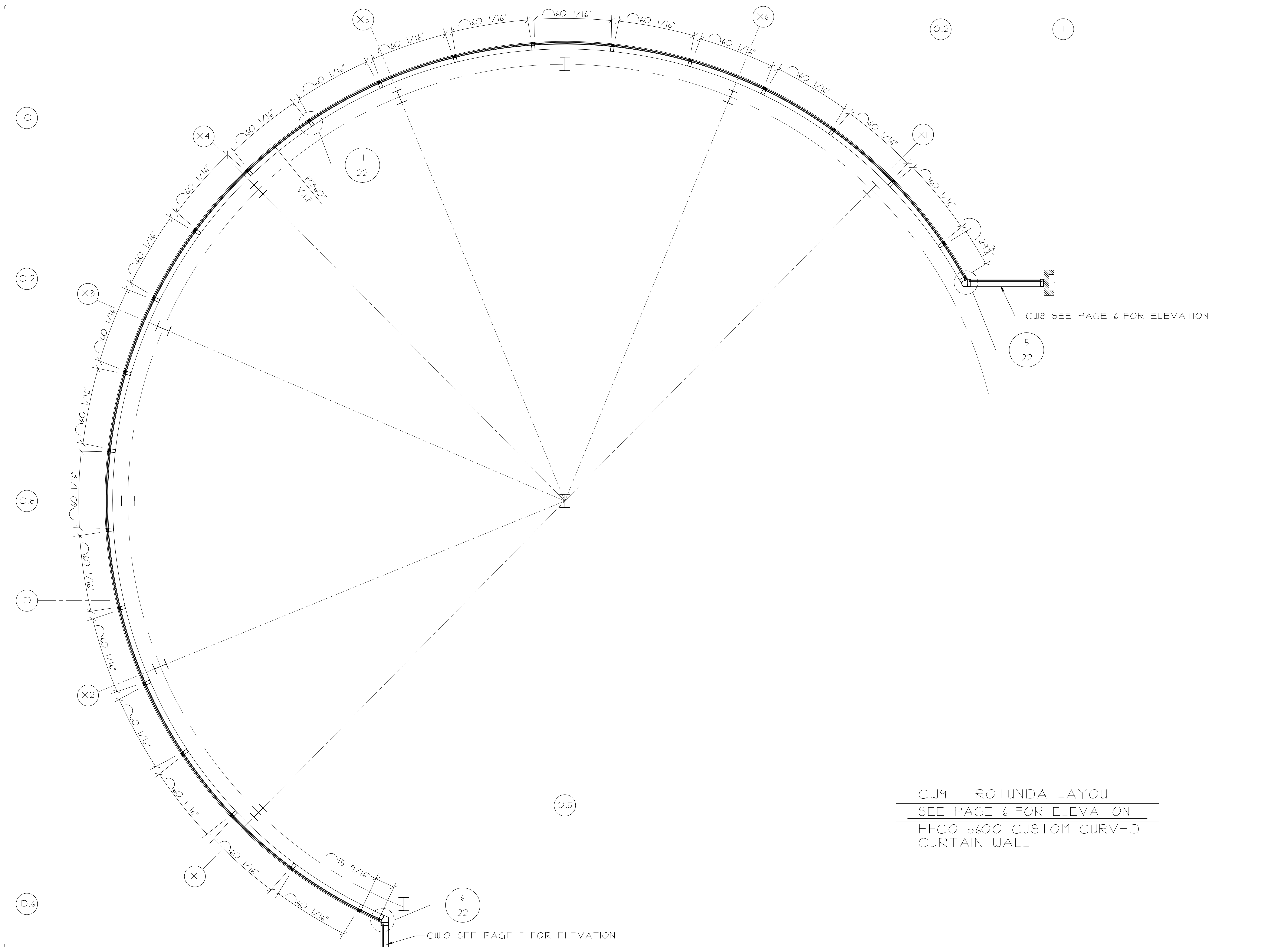
LOCATION: SAMPLE SAMPLE SAMPLE

SCALE:
3/8" = 1'-0"

DATE:
SAMPLE

DRAWN:
SAMPLE

PAGE:



CW9 - ROTUNDA LAYOUT
SEE PAGE 6 FOR ELEVATION
EFCO 5600 CUSTOM CURVED
CURTAIN WALL

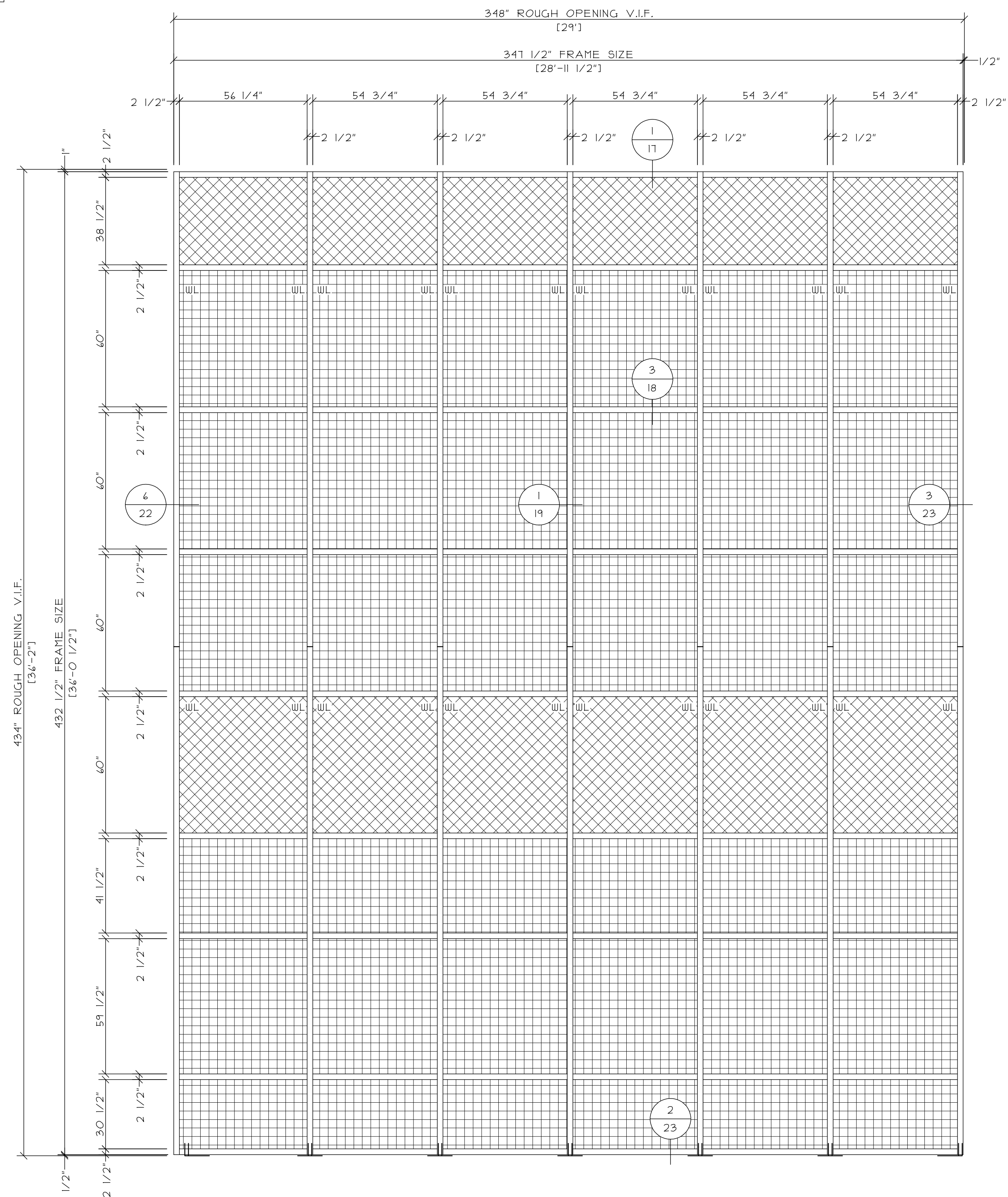
PROJECT: SAMPLE SAMPLE SAMPLE LOCATION: SAMPLE SAMPLE SAMPLE	ARCHITECT: SAMPLE SAMPLE SAMPLE SAMPLE SAMPLE SAMPLE SAMPLE SAMPLE SAMPLE SAMPLE SAMPLE SAMPLE	GLAZING CONTRACTOR: SAMPLE SAMPLE SAMPLE SAMPLE SAMPLE SAMPLE SAMPLE SAMPLE SAMPLE SAMPLE SAMPLE SAMPLE SAMPLE SAMPLE SAMPLE	REVISIONS: _____ _____ _____ _____	DATE: _____ _____ _____
SCALE: 3/8" = 1'-0"	DATE: SAMPLE	DRAWN: SAMPLE	PAGE: 6A	

WL = DENOTES WIND LOAD CLIP LOCATION

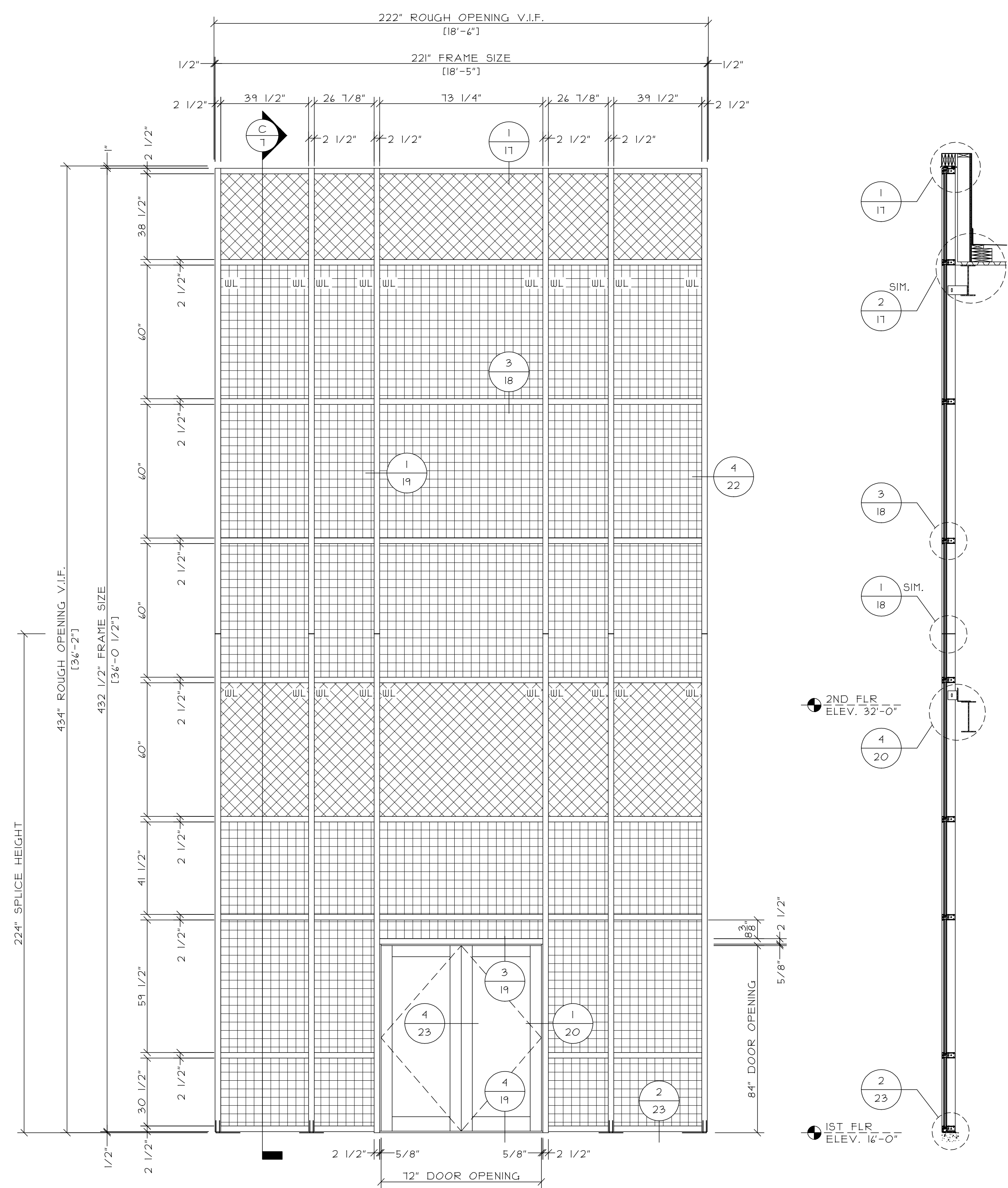
 = DENOTES F & T ANCHORS
SEE PAGE 36 FOR DETAILS

 =GS2 - DENOTES 1" SPANDREL GLASS
WITH VENTED BACK PAN

 =GS5 - DENOTES 1" VISION GLASS



WINDOW TYPE CW10
1 TOTAL
EFCO 5600 CURTAIN WALL



WINDOW TYPE CW11
1 TOTAL
EFCO 5600 CURTAIN WALL
AND DOOR #1426 WITH
HARDWARE SET (ARCHITECT SPECIFY)

SECTION C
NO ARCH. REFERENCE

REVISIONS:	DATE:

GLAZING CONTRACTOR:	SAMPLE SAMPLE SAMPLE
	SAMPLE SAMPLE SAMPLE
	SAMPLE SAMPLE SAMPLE
	SAMPLE SAMPLE SAMPLE
	SAMPLE SAMPLE SAMPLE

ARCHITECT:	SAMPLE SAMPLE SAMPLE
	SAMPLE SAMPLE SAMPLE
	SAMPLE SAMPLE SAMPLE
	SAMPLE SAMPLE SAMPLE
	SAMPLE SAMPLE SAMPLE

PROJECT:	SAMPLE SAMPLE SAMPLE
LOCATION:	SAMPLE SAMPLE SAMPLE

SCALE:
3/8" = 1'-0"


DATE:
SAMPLE

DRAWN:
SAMPLE

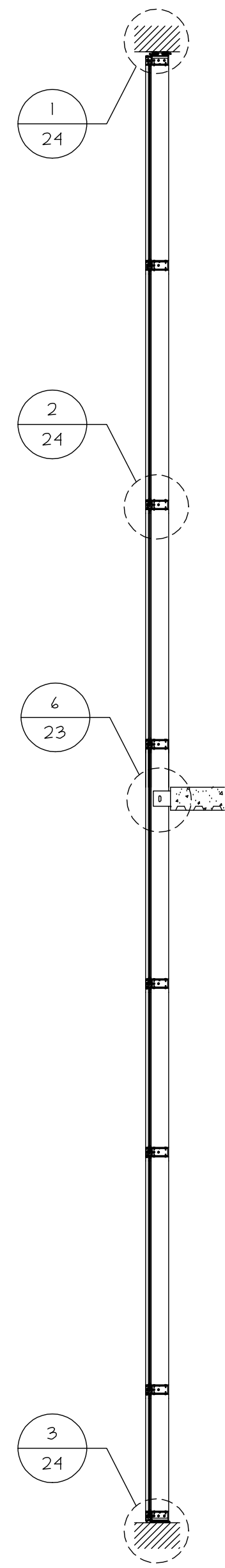
PAGE:
1

WL = DENOTES WIND LOAD CLIP LOCATION

 = DENOTES F & T ANCHORS
SEE PAGE 36 FOR DETAILS

 =G51 - DENOTES 3/8" GLASS

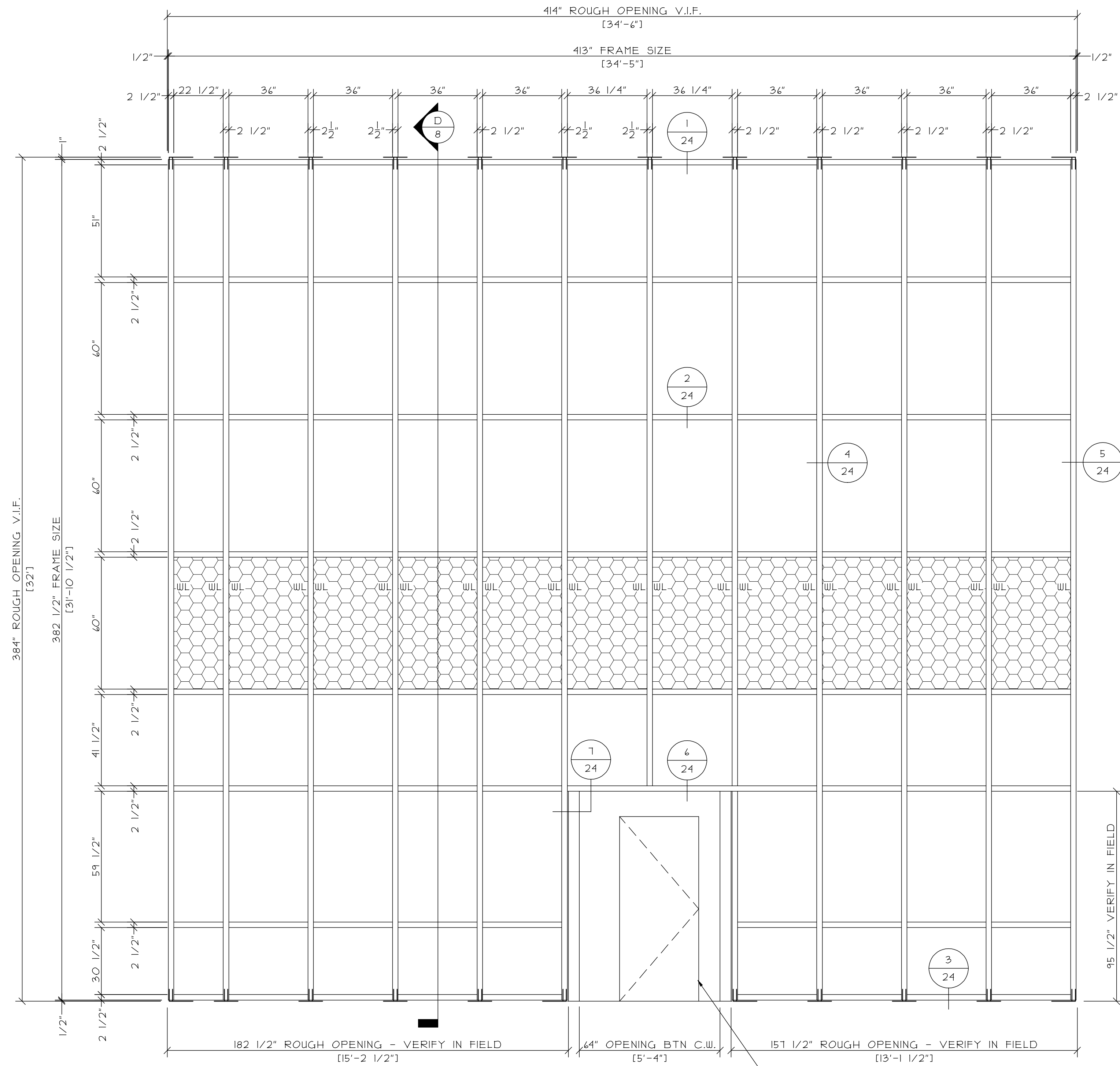
 =G58 - DENOTES 3/8" GLASS



2ND FLR
ELEV. 32'-0"

1ST FLR
ELEV. 12'-0"

SECTION D
NO ARCH. REFERENCE



WINDOW TYPE CW12 INTERIOR
1 TOTAL
EFCO 5600 CURTAIN WALL

DATE:

REVISIONS:

GLAZING CONTRACTOR:
SAMPLE SAMPLE SAMPLE
SAMPLE SAMPLE SAMPLE
SAMPLE SAMPLE SAMPLE
SAMPLE SAMPLE SAMPLE
SAMPLE SAMPLE SAMPLE

ARCHITECT:
SAMPLE SAMPLE SAMPLE
SAMPLE SAMPLE SAMPLE
SAMPLE SAMPLE SAMPLE
SAMPLE SAMPLE SAMPLE
SAMPLE SAMPLE SAMPLE

PROJECT: SAMPLE SAMPLE SAMPLE

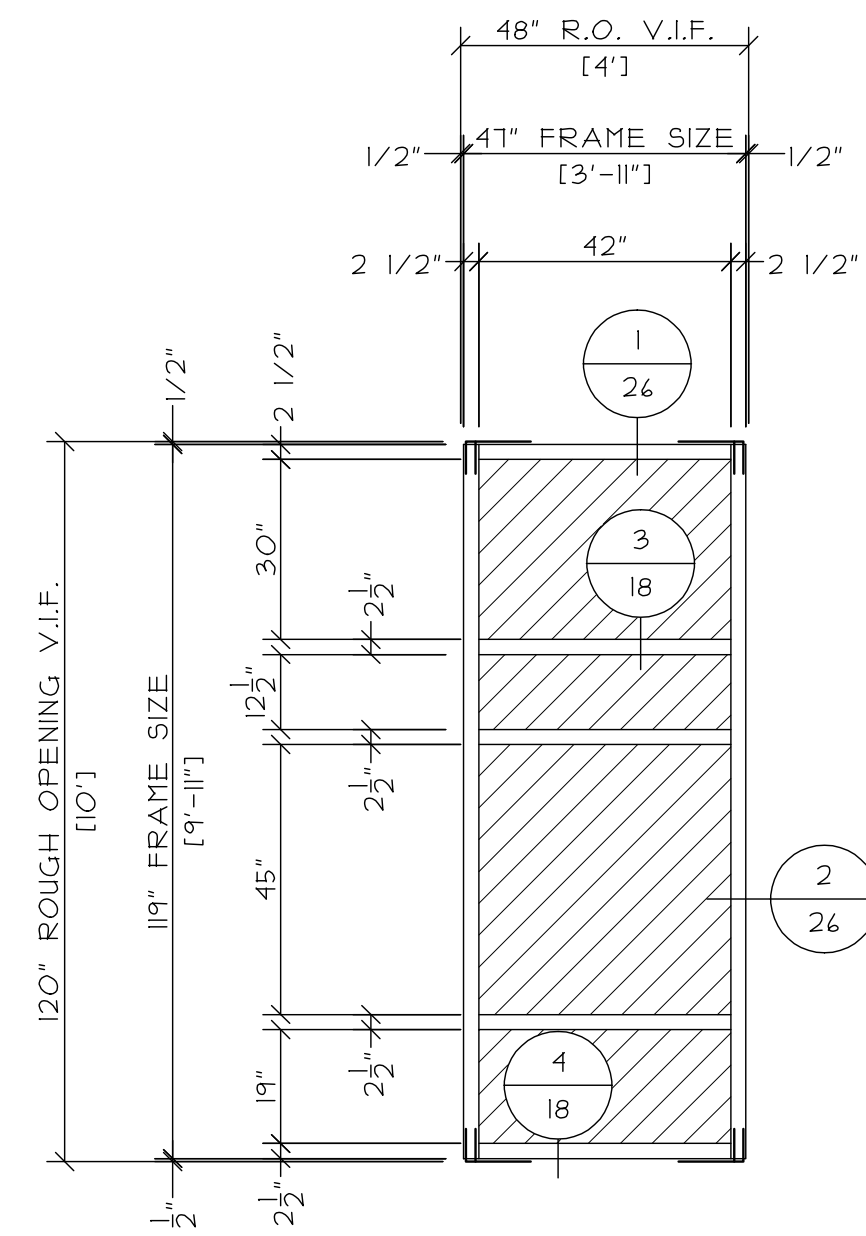
LOCATION: SAMPLE SAMPLE SAMPLE

SCALE:
3/8" = 1'-0"

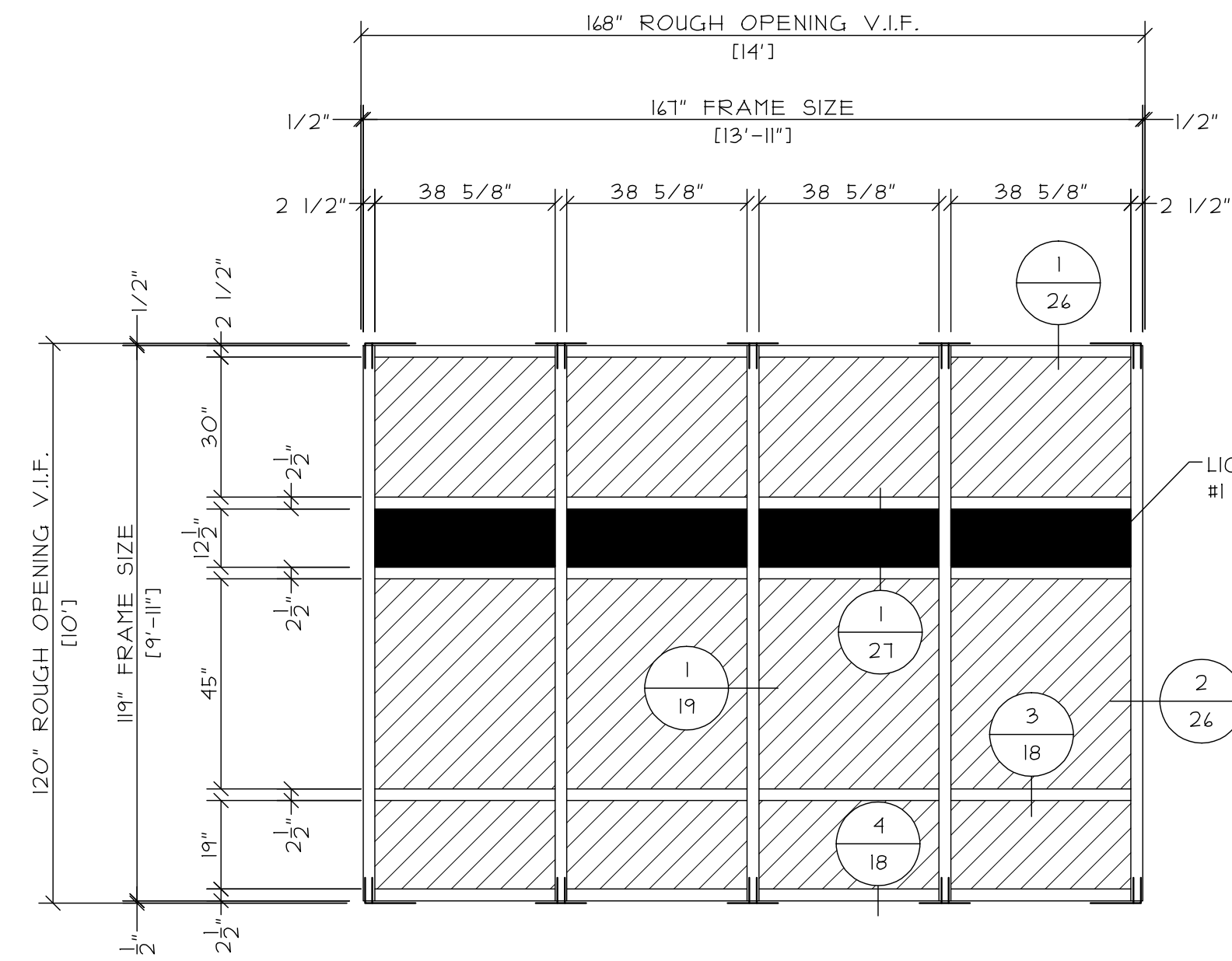
DATE:
SAMPLE

DRAWN:
SAMPLE

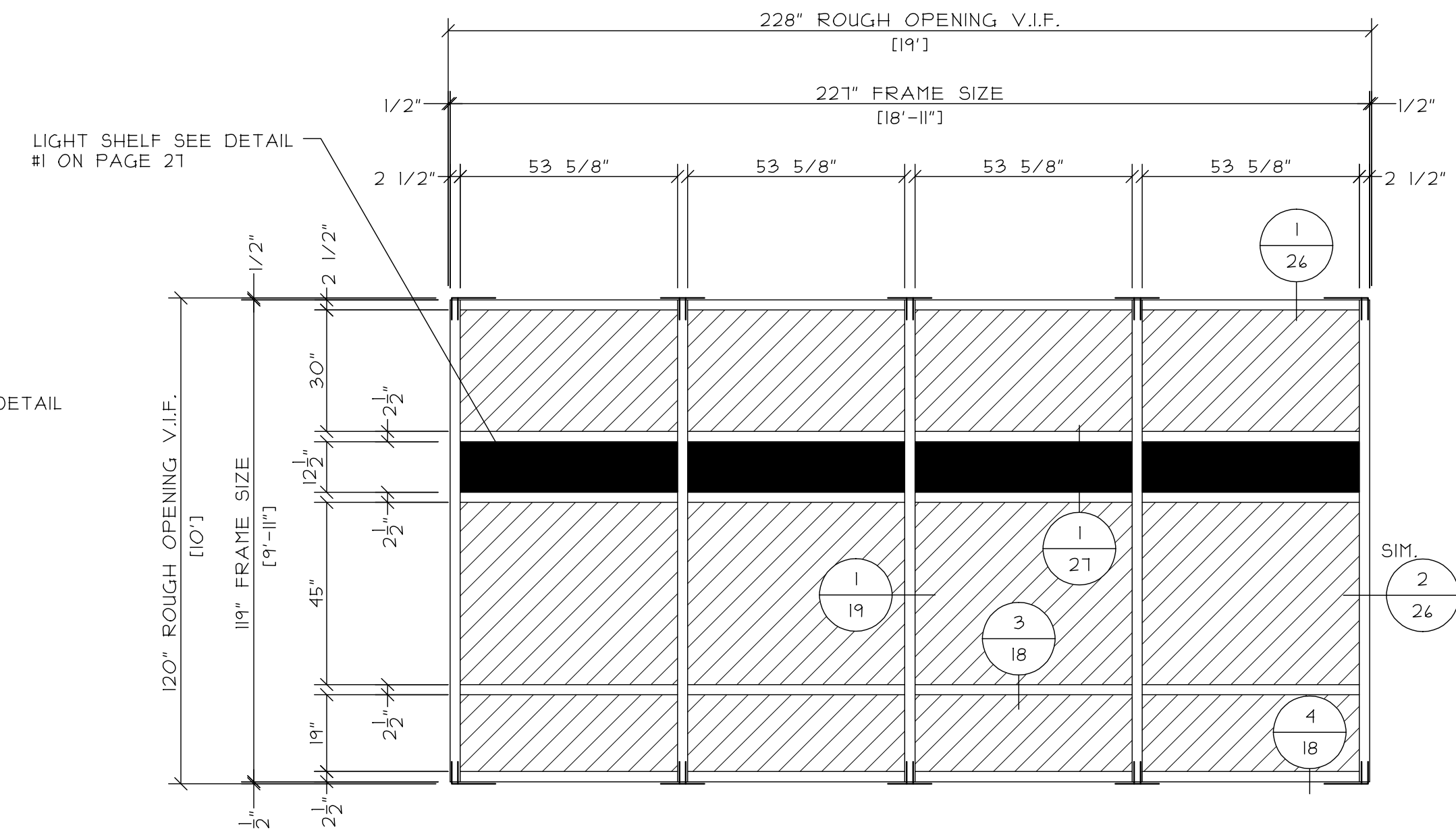
PAGE:
8



WINDOW TYPE CW15
 1 TOTAL
 EFCO 5600 CURTAIN WALL

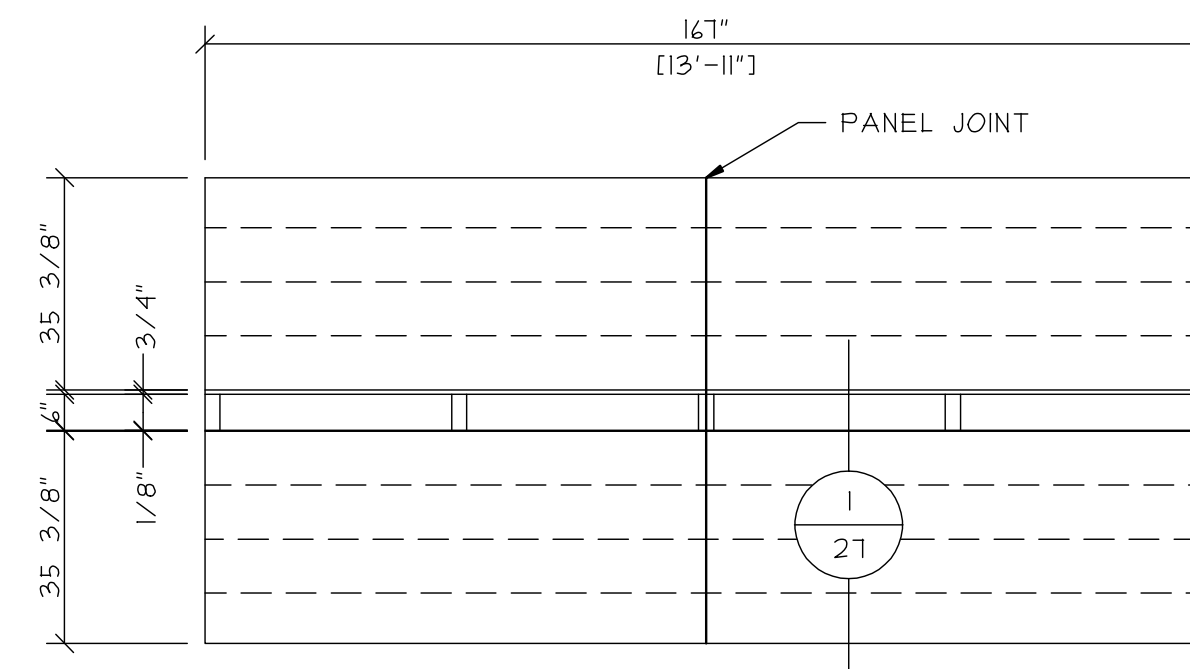


WINDOW TYPE CW16
 1 TOTAL
 EFCO 5600 CURTAIN WALL

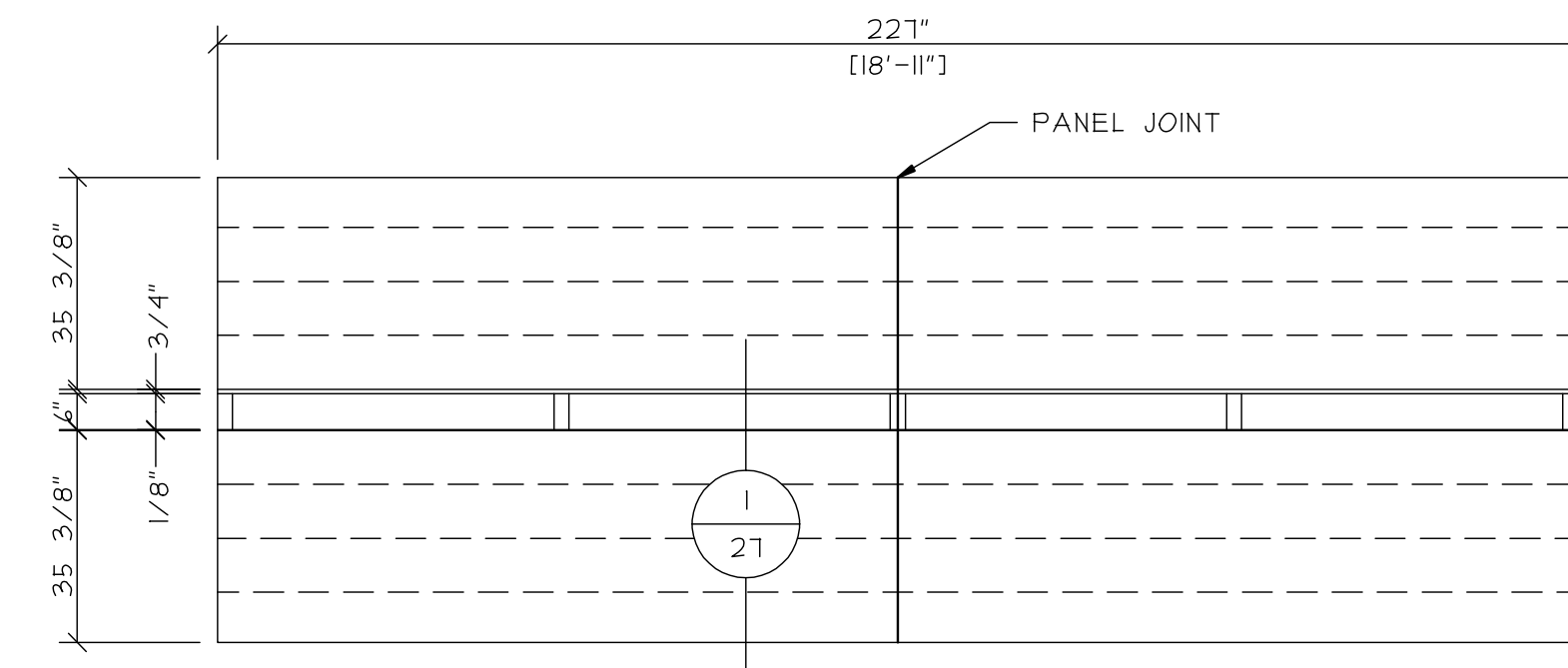


WINDOW TYPE CW17
 5 TOTAL
 EFCO 5600 CURTAIN WALL

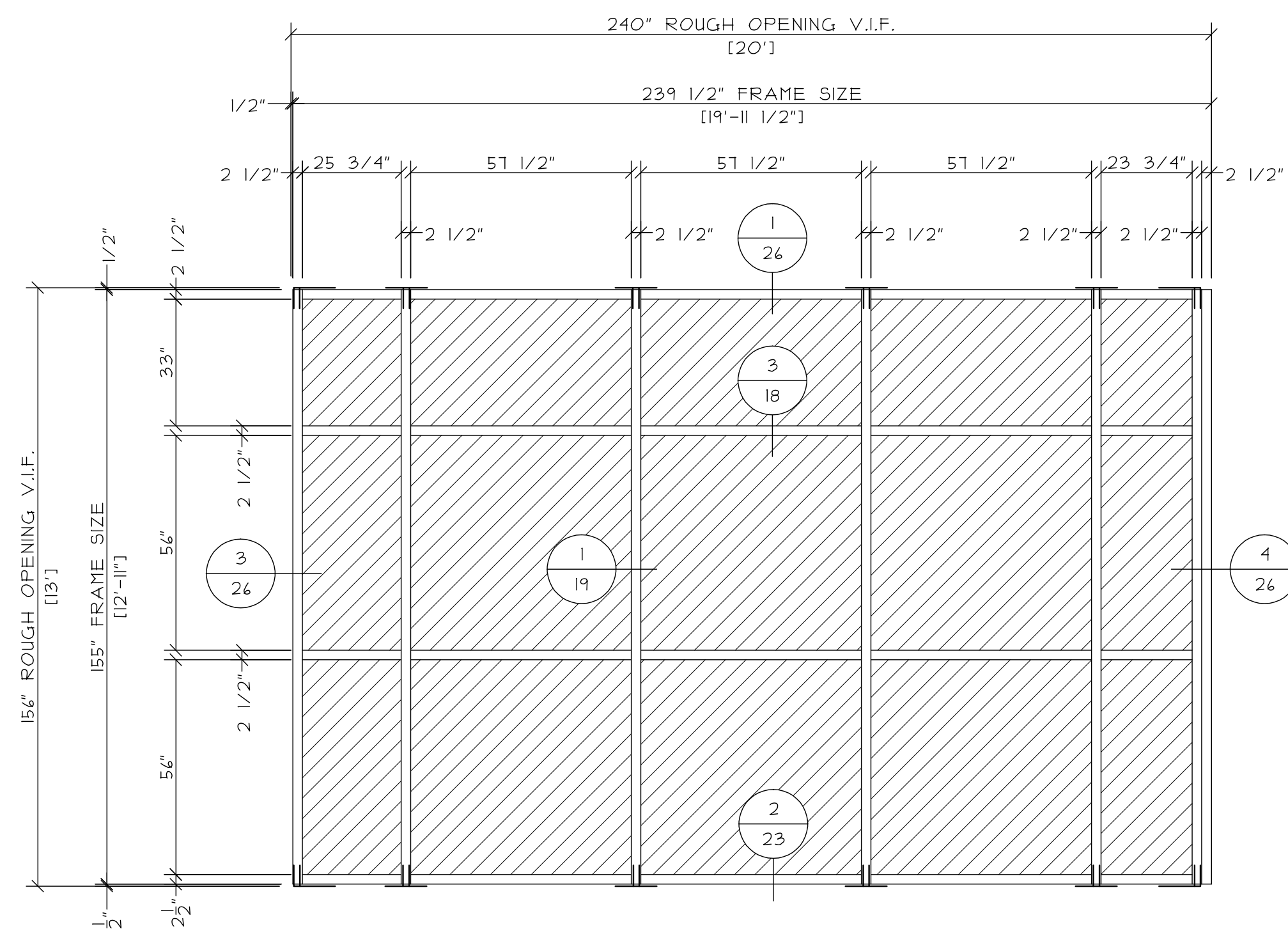
- = DENOTES F & T ANCHORS
SEE PAGE 36 FOR DETAILS
- =GSI - DENOTES 1" VISION GLASS
- =GSI - DENOTES 3/8" VISION GLASS



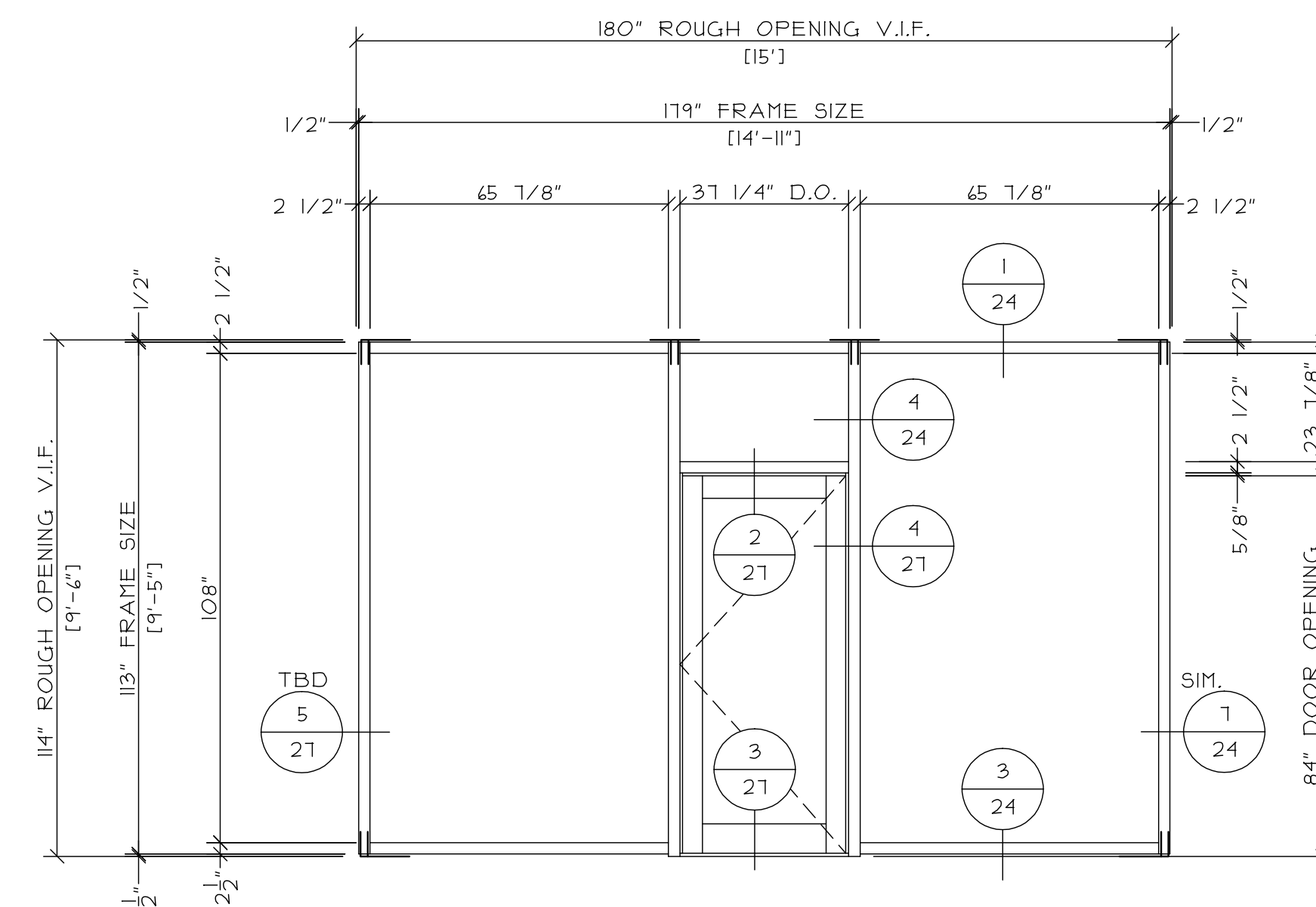
E-LITE @ CURTAIN WALL CW16
 1 TOTAL



E-LITE @ CURTAIN WALL CW17
 5 TOTAL



WINDOW TYPE CW18
 1 TOTAL
 EFCO 5600 CURTAIN WALL



WINDOW TYPE CW19
 1 TOTAL
 EFCO 5600 CURTAIN WALL
 (ARCHITECT VERIFY DOOR # AND HARDWARE GROUP)

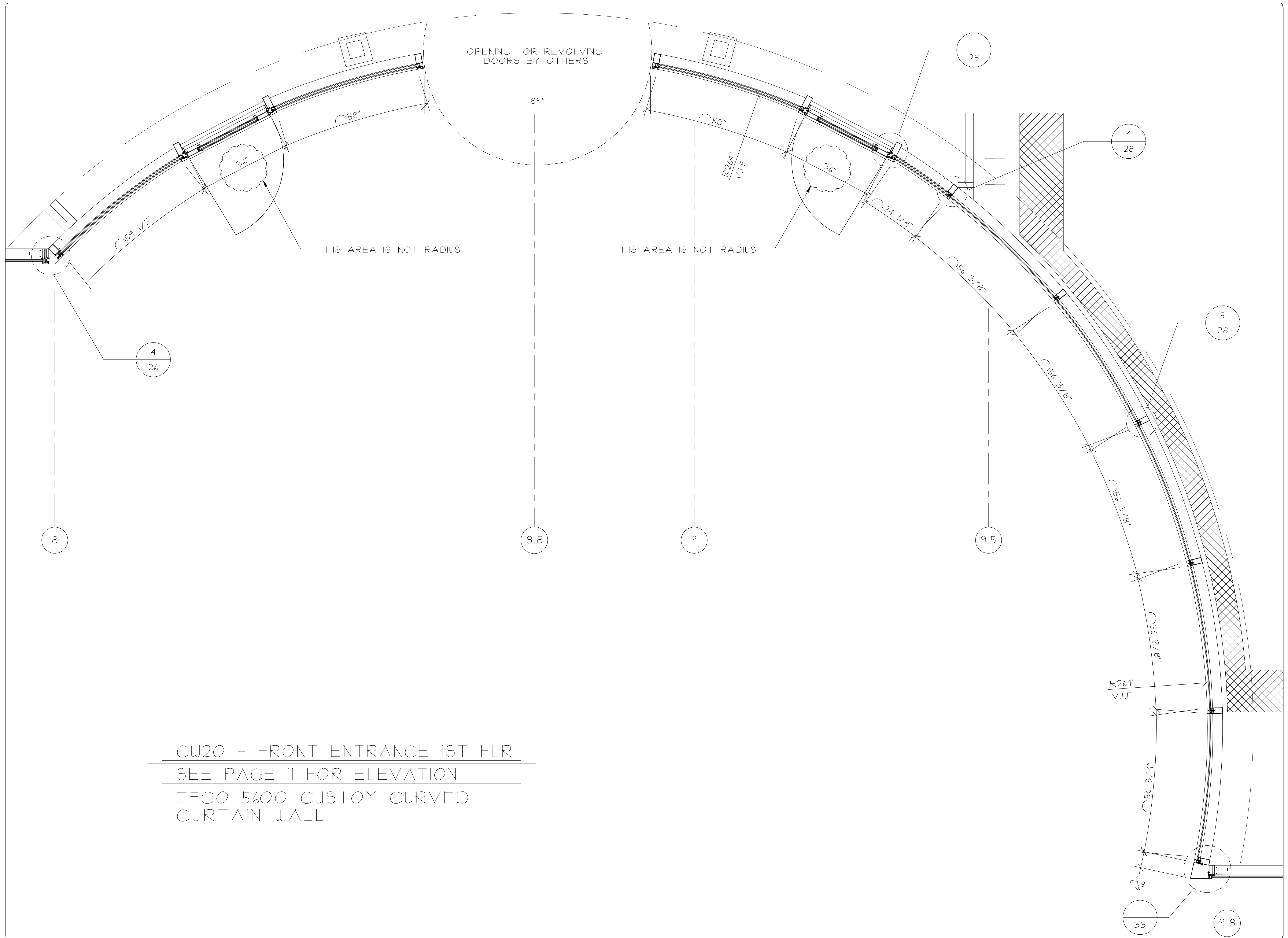
DATE:	
REVISIONS:	

GLAZING CONTRACTOR:	SAMPLE SAMPLE SAMPLE
	SAMPLE SAMPLE SAMPLE
	SAMPLE SAMPLE SAMPLE
	SAMPLE SAMPLE SAMPLE
	SAMPLE SAMPLE SAMPLE

ARCHITECT:	SAMPLE SAMPLE SAMPLE
	SAMPLE SAMPLE SAMPLE
	SAMPLE SAMPLE SAMPLE
	SAMPLE SAMPLE SAMPLE
	SAMPLE SAMPLE SAMPLE

PROJECT:	SAMPLE SAMPLE SAMPLE
LOCATION:	SAMPLE SAMPLE SAMPLE

SCALE:	3/8" = 1'-0"
DATE:	SAMPLE
DRAWN:	SAMPLE
PAGE:	10



CW20 - FRONT ENTRANCE 1ST FLR
 SEE PAGE II FOR ELEVATION
 EFCO 5600 CUSTOM CURVED
 CURTAIN WALL

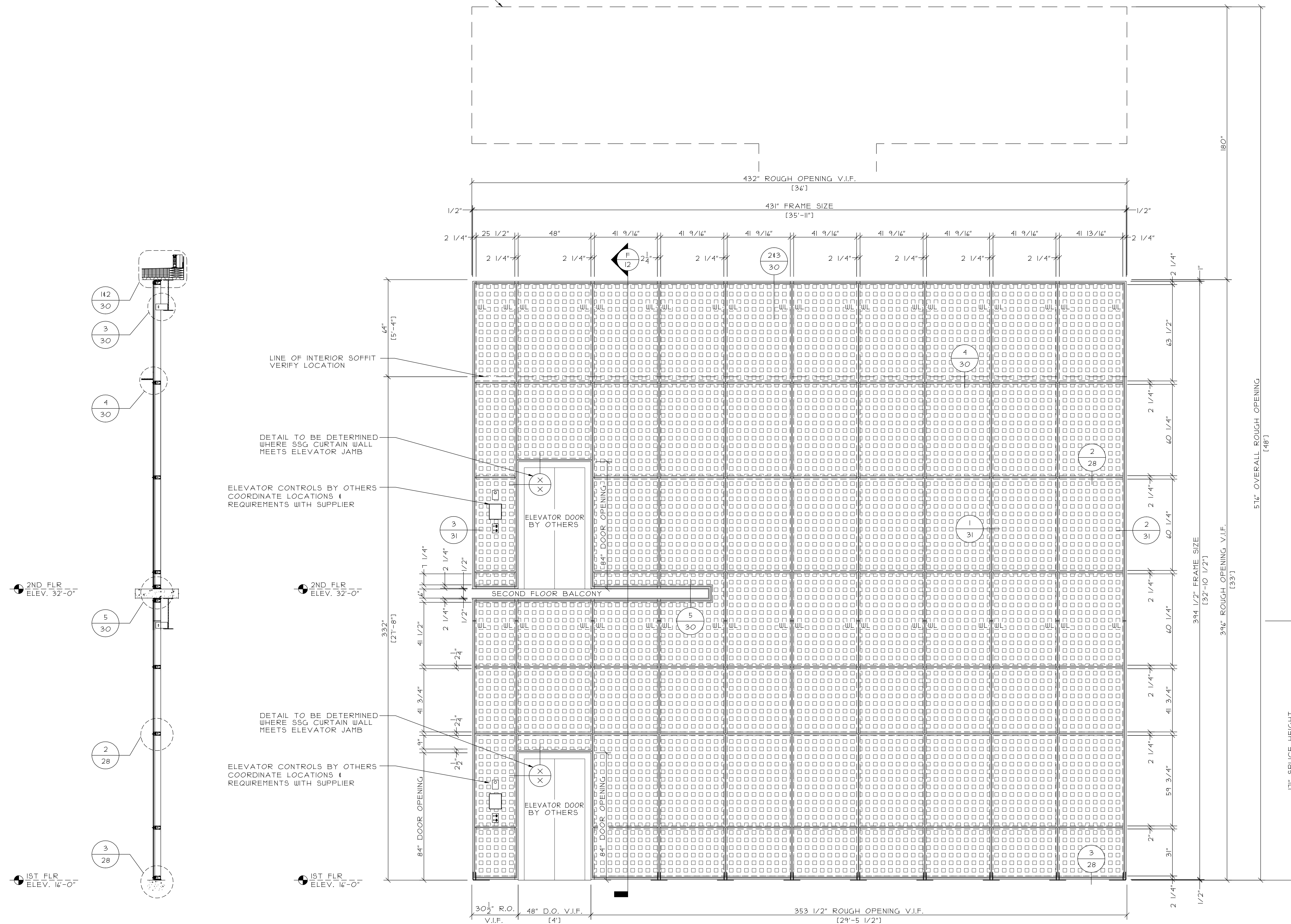
PROJECT:	SAMPLE SAMPLE SAMPLE
LOCATION:	SAMPLE SAMPLE SAMPLE
SCALE:	3/4" = 1'-0"
DATE:	SAMPLE
DRAWN:	SAMPLE
PAGE:	IIA
ARCHITECT:	SAMPLE SAMPLE SAMPLE SAMPLE SAMPLE SAMPLE SAMPLE SAMPLE SAMPLE SAMPLE SAMPLE SAMPLE
GLAZING CONTRACTOR:	SAMPLE SAMPLE SAMPLE SAMPLE SAMPLE SAMPLE SAMPLE SAMPLE SAMPLE SAMPLE SAMPLE SAMPLE
REVISIONS:	
DATE:	

WL = DENOTES WIND LOAD CLIP LOCATION

 = DENOTES F & T ANCHORS
SEE PAGE 36 FOR DETAILS

 =GS4 - DENOTES 1/4" SPANDREL GLASS
IN 4-SIDED SSG FRAMES

LINE OF CW35 ABOVE AT EXTERIOR
SEE PAGE 15 FOR ELEVATION CW35



SECTION F
REF. 2/A&05

WINDOW TYPE CW21
1 TOTAL
EFCO 5600 SSG CURTAIN WALL

REVISIONS:	DATE:

GLAZING CONTRACTOR:	SAMPLE SAMPLE SAMPLE
	SAMPLE SAMPLE SAMPLE
	SAMPLE SAMPLE SAMPLE
	SAMPLE SAMPLE SAMPLE
	SAMPLE SAMPLE SAMPLE

ARCHITECT:	SAMPLE SAMPLE SAMPLE
	SAMPLE SAMPLE SAMPLE
	SAMPLE SAMPLE SAMPLE
	SAMPLE SAMPLE SAMPLE
	SAMPLE SAMPLE SAMPLE

PROJECT:	SAMPLE SAMPLE SAMPLE
LOCATION:	SAMPLE SAMPLE SAMPLE

SCALE:
3/8" = 1'-0"

DATE:
SAMPLE

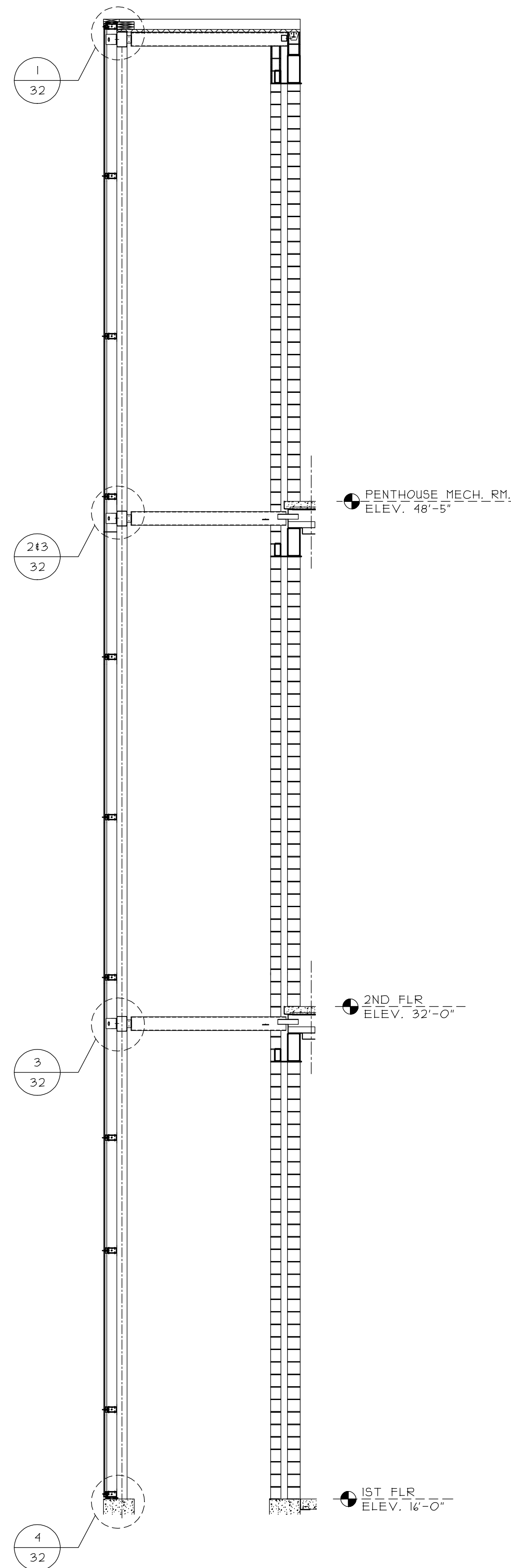
DRAWN:
SAMPLE

PAGE:
12

WL = DENOTES WIND LOAD CLIP LOCATION

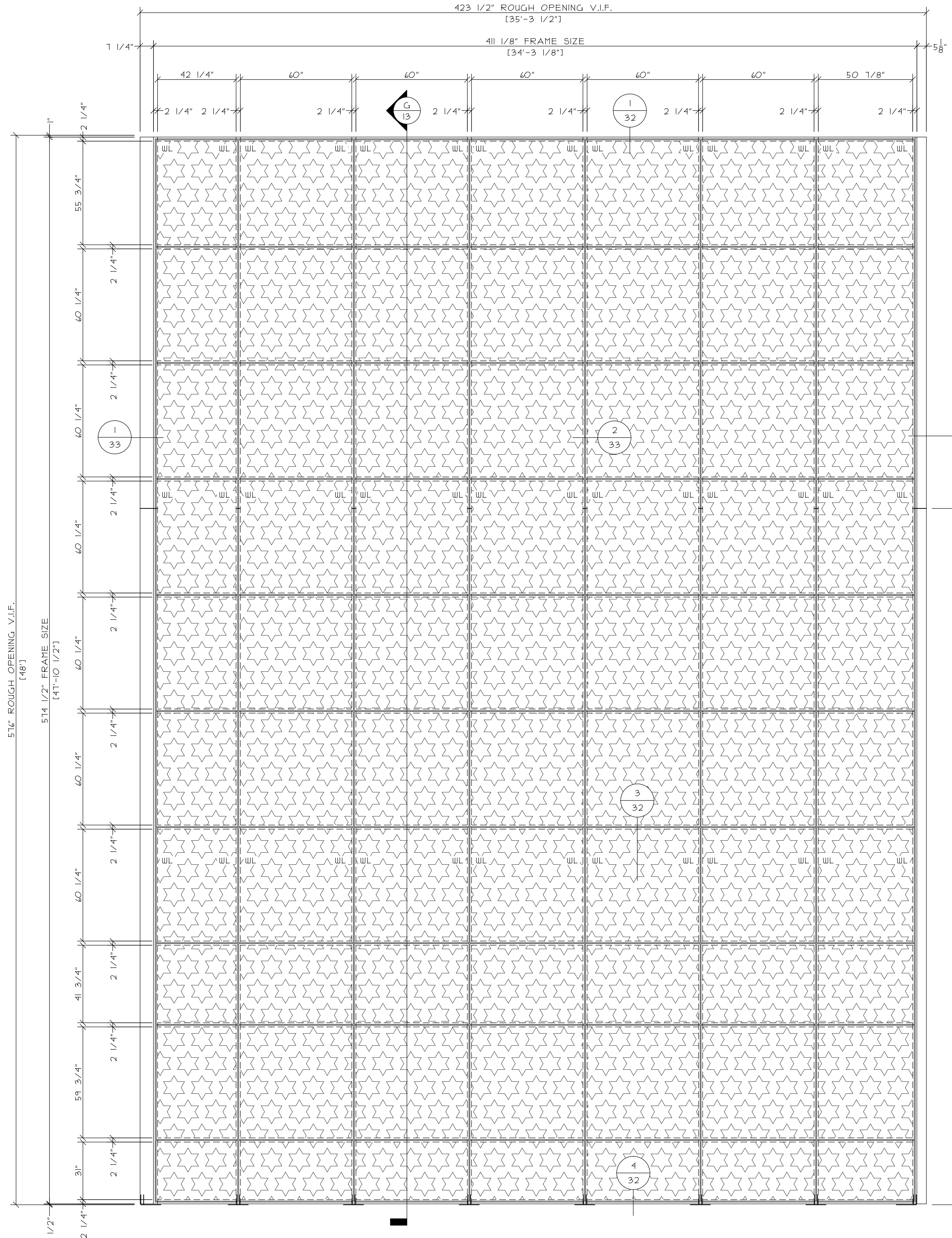
 =GS3 - DENOTES 1/16" PHOTOVOLTAIC GLASS IN 4-SIDED SSG FRAMES

 =GS4 - DENOTES 1/4" SPANDREL GLASS IN 4-SIDED SSG FRAMES

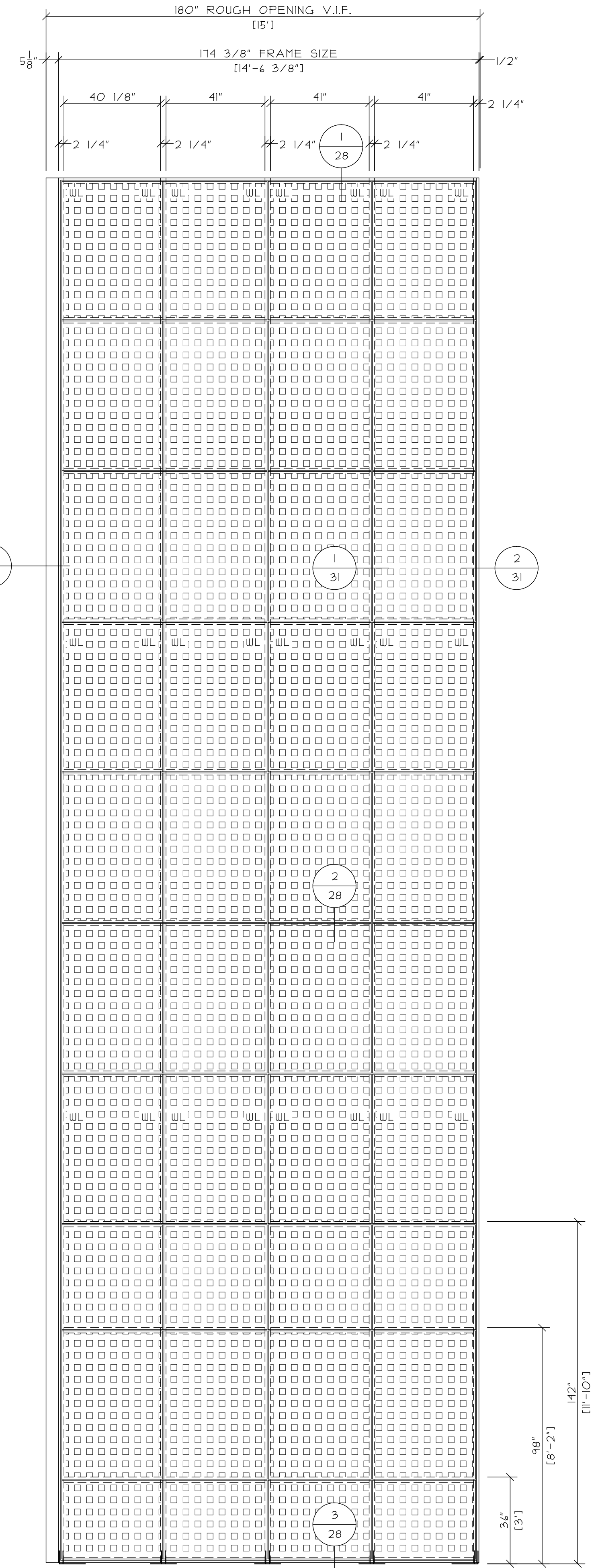


SECTION G
REF. 2/A&O3

 = DENOTES F & T ANCHORS
SEE PAGE 36 FOR DETAILS



WINDOW TYPE CW22
1 TOTAL
EFCO 5600 SSG CURTAIN WALL



WINDOW TYPE CW23
1 TOTAL
EFCO 5600 SSG CURTAIN WALL

DATE:	
REVISIONS:	
GLAZING CONTRACTOR:	SAMPLE SAMPLE SAMPLE
ARCHITECT:	SAMPLE SAMPLE SAMPLE
PROJECT:	SAMPLE SAMPLE SAMPLE
LOCATION:	SAMPLE SAMPLE SAMPLE
SCALE:	3/8" = 1'-0"
DATE:	SAMPLE
DRAWN:	SAMPLE
PAGE:	13

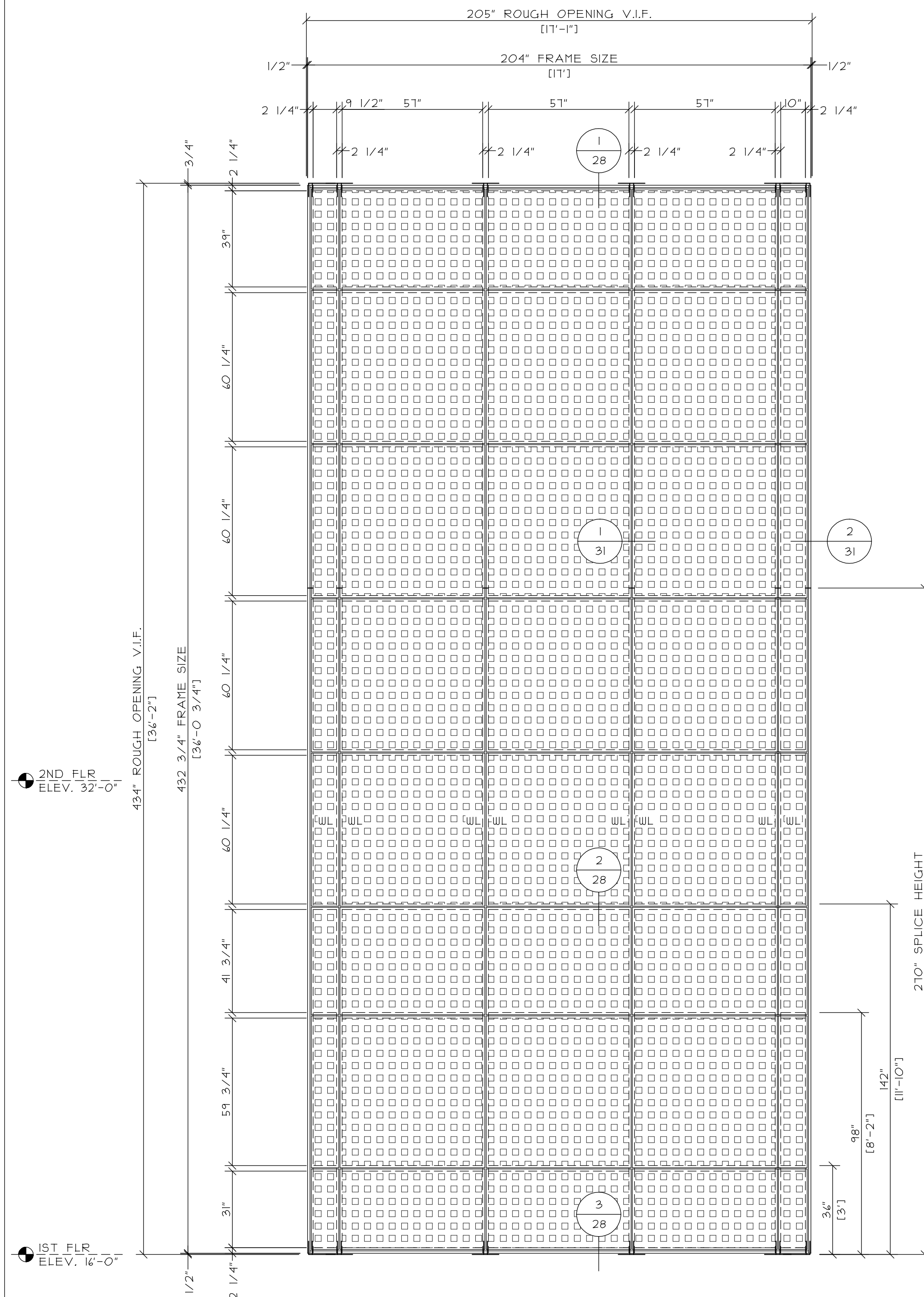
WL = DENOTES WIND LOAD CLIP LOCATION

= DENOTES F & T ANCHORS
SEE PAGE 36 FOR DETAILS

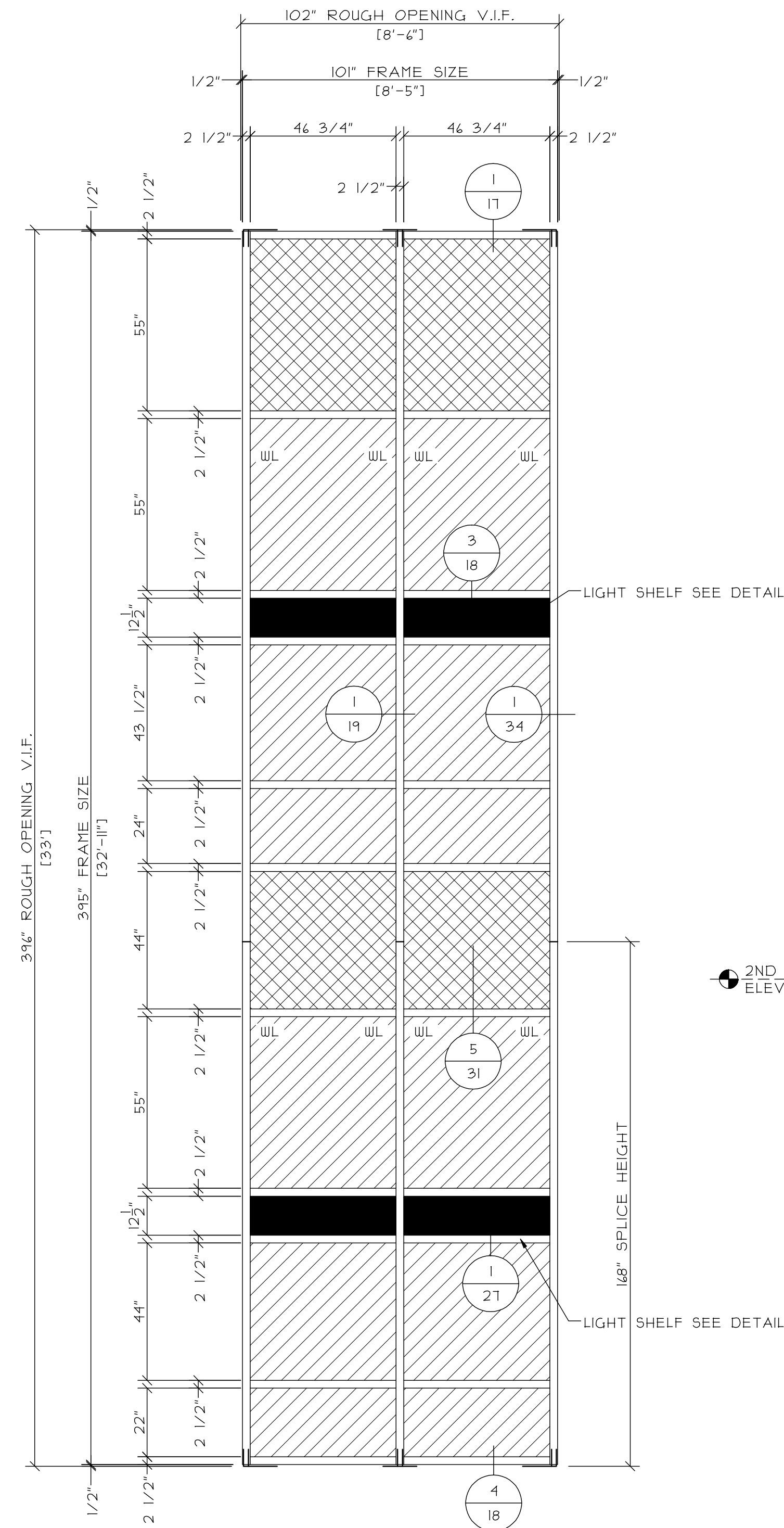
=GS1 - DENOTES 1" VISION GLASS

=GS2 - DENOTES 1" SPANDREL GLASS
WITH VENTED BACK PAN

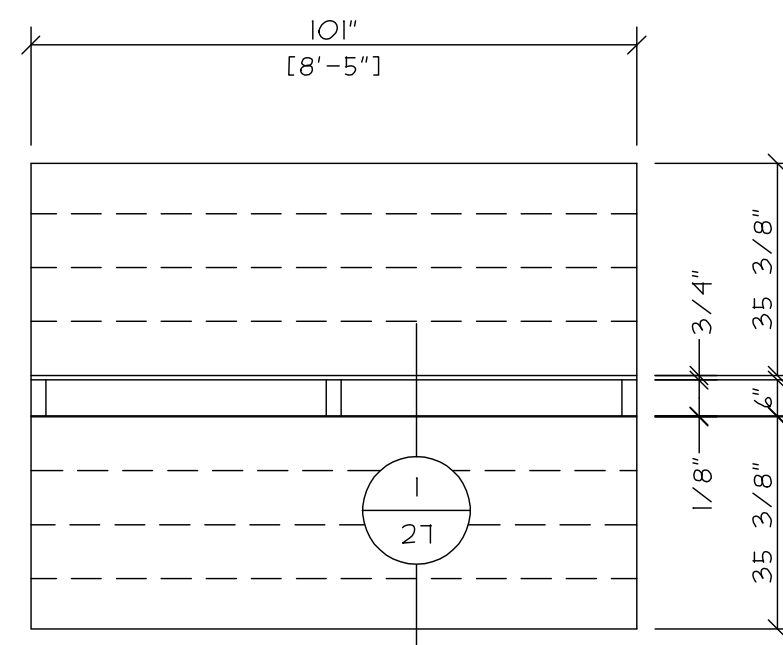
=GS4 - DENOTES 1/4" SPANDREL GLASS
IN 4-SIDED SSG FRAMES



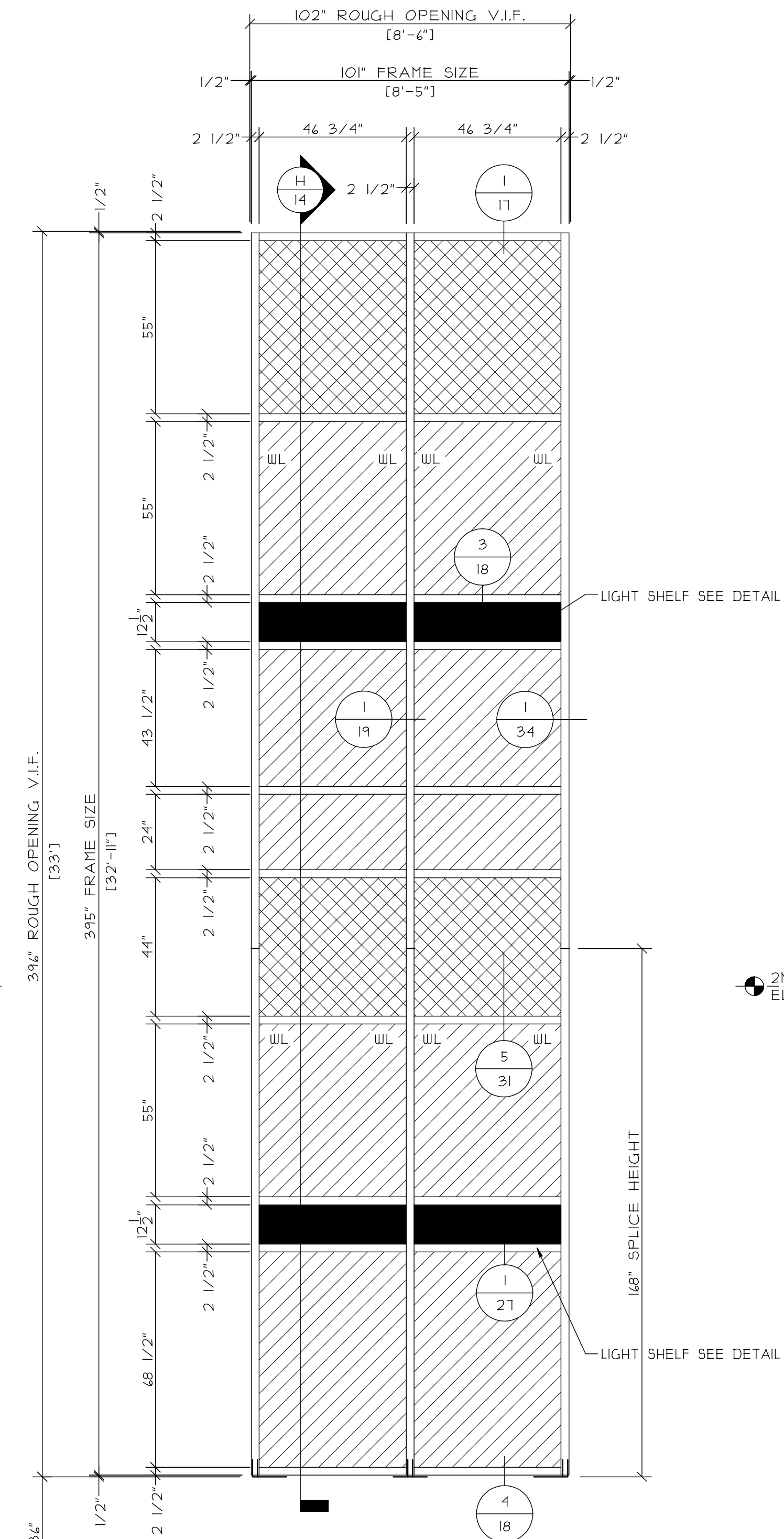
WINDOW TYPE CW24
1 TOTAL
EFCO 5600 SSG CURTAIN WALL



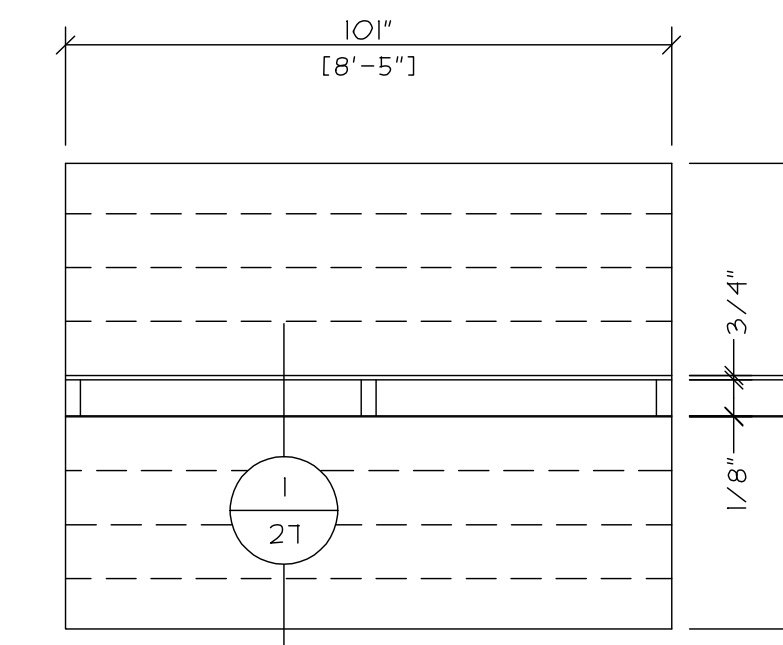
WINDOW TYPE CW25 - SOUTH
1 TOTAL
EFCO 5600 CURTAIN WALL



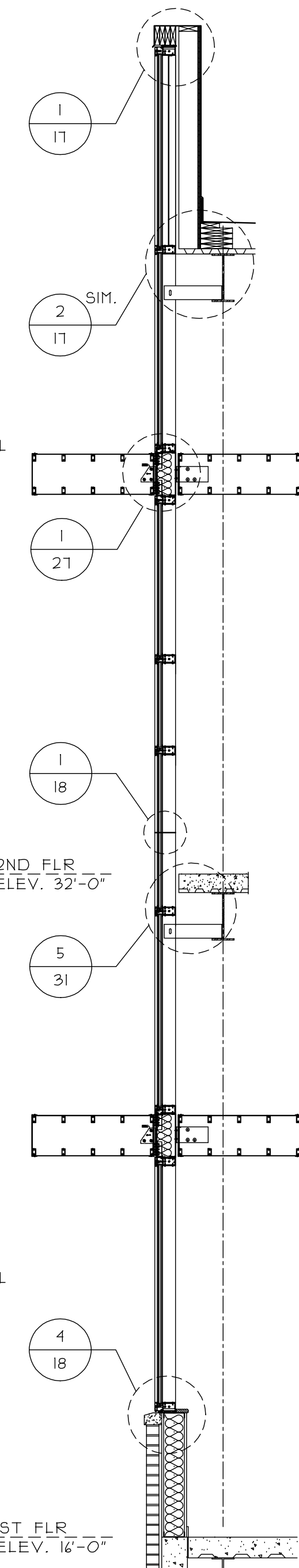
E-LITE @ CURTAIN WALL CW25
1 TOTAL



WINDOW TYPE CW25A - NORTH
1 TOTAL
EFCO 5600 CURTAIN WALL



E-LITE @ CURTAIN WALL CW25A
1 TOTAL



SECTION H
REF. 3/A1.03

REVISIONS:

GLAZING CONTRACTOR:
SAMPLE SAMPLE SAMPLE
SAMPLE SAMPLE SAMPLE
SAMPLE SAMPLE SAMPLE
SAMPLE SAMPLE SAMPLE

ARCHITECT:
SAMPLE SAMPLE SAMPLE
SAMPLE SAMPLE SAMPLE
SAMPLE SAMPLE SAMPLE
SAMPLE SAMPLE SAMPLE

PROJECT: SAMPLE SAMPLE SAMPLE
LOCATION: SAMPLE SAMPLE SAMPLE

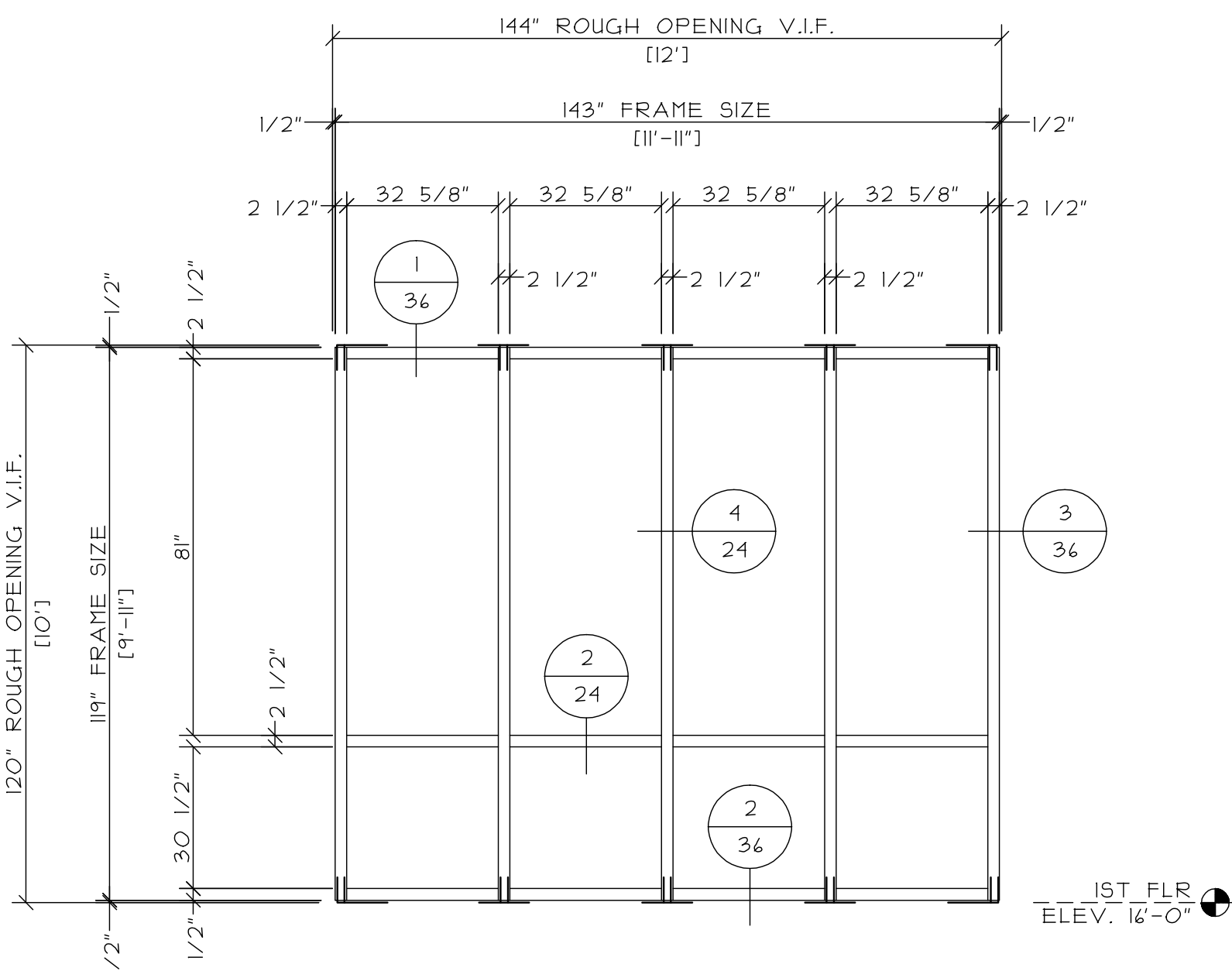
SCALE:
3/8" = 1'-0"
DATE:
SAMPLE
DRAWN:
SAMPLE
PAGE:
14

WL = DENOTES WIND LOAD CLIP LOCATION

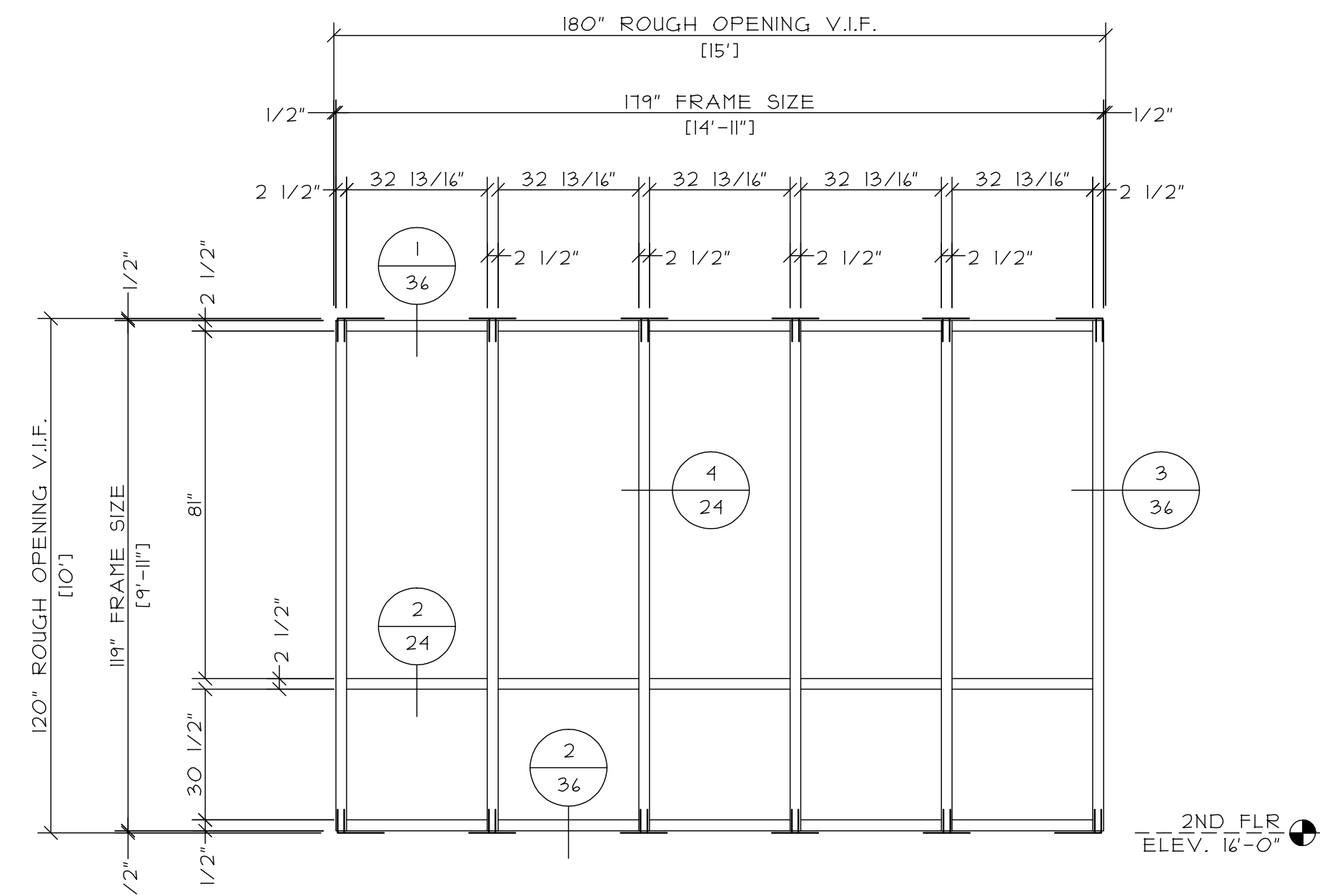
 = DENOTES F & T ANCHORS
SEE PAGE 36 FOR DETAILS

 =GS1 - DENOTES 3/8" VISION GLASS

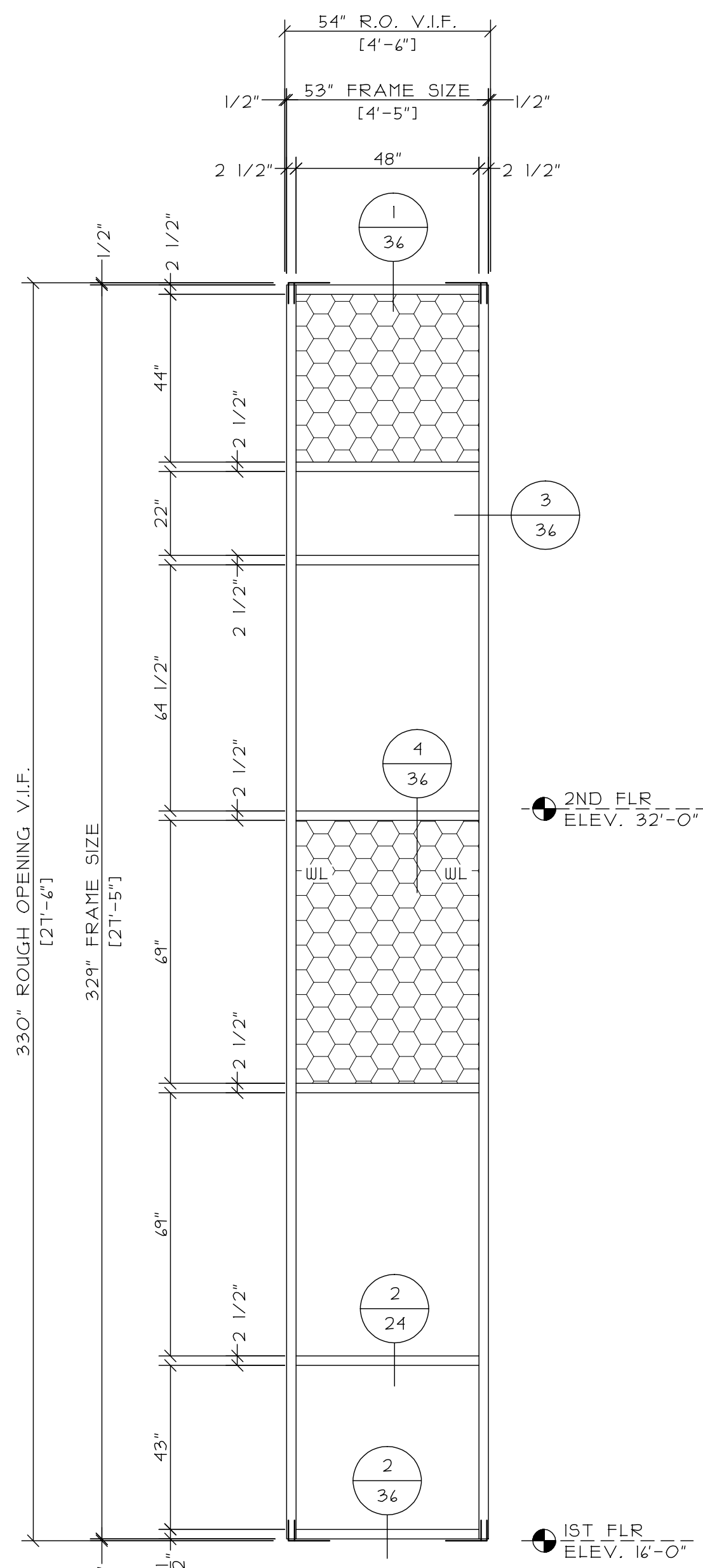
 =GS8 - DENOTES 3/8" SPANDREL GLASS



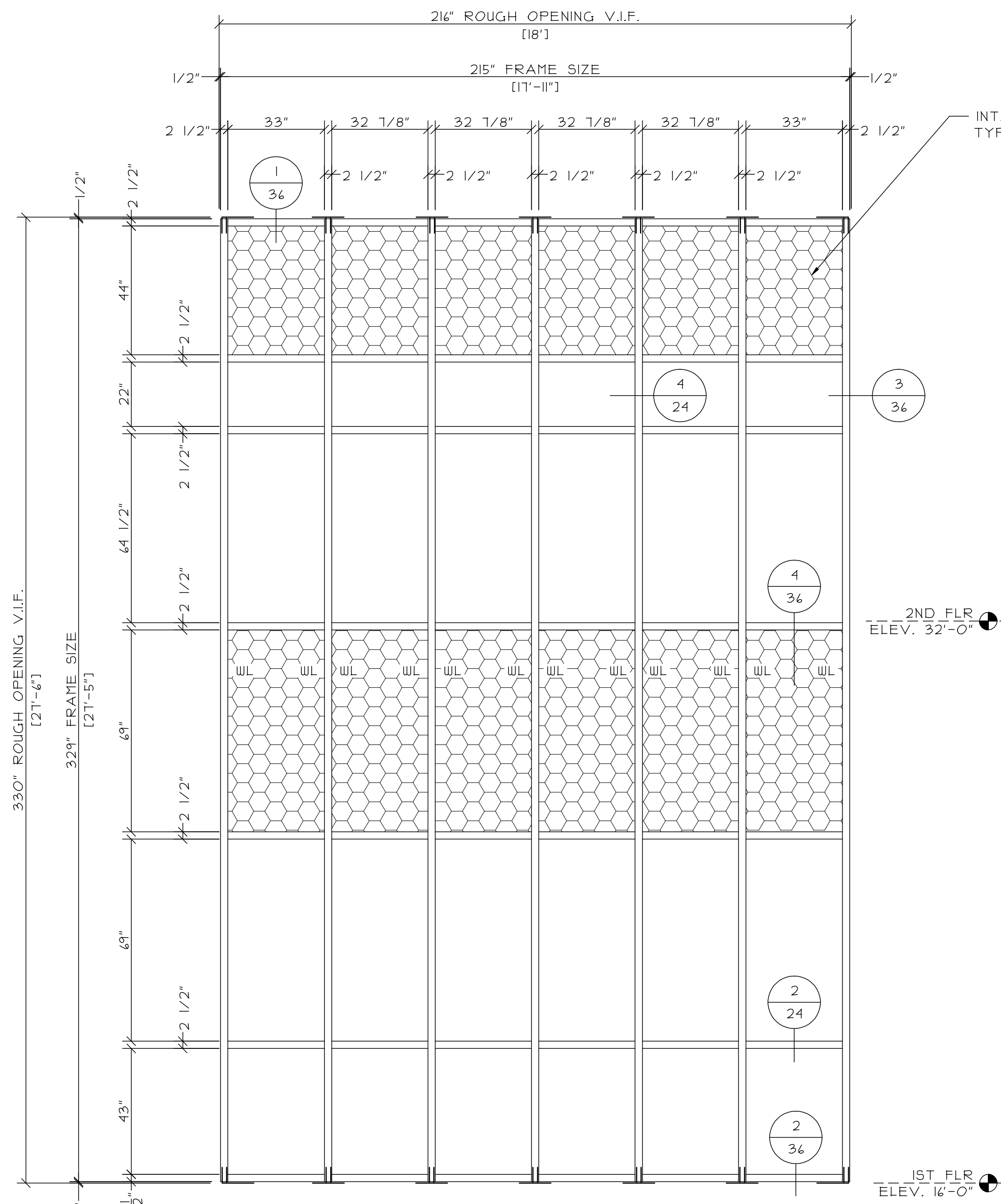
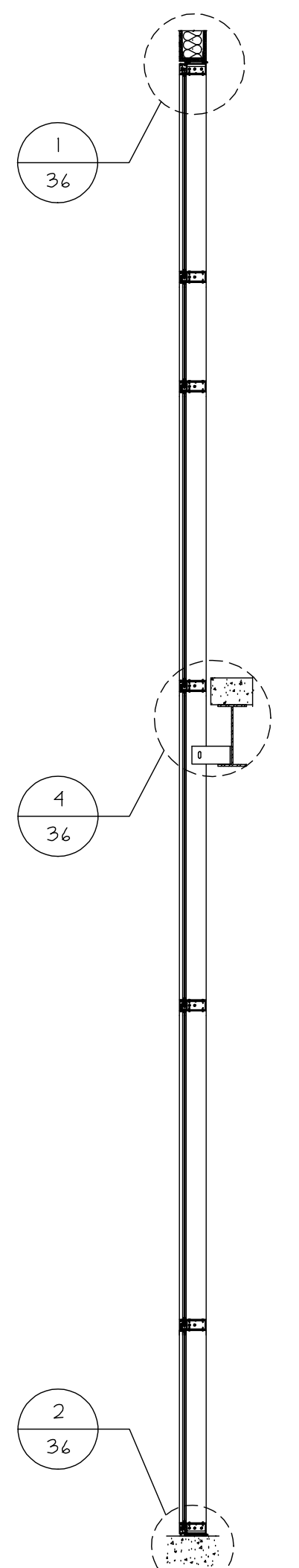
WINDOW TYPE CW33 INTERIOR
1 TOTAL
EFCO 5600 CURTAIN WALL



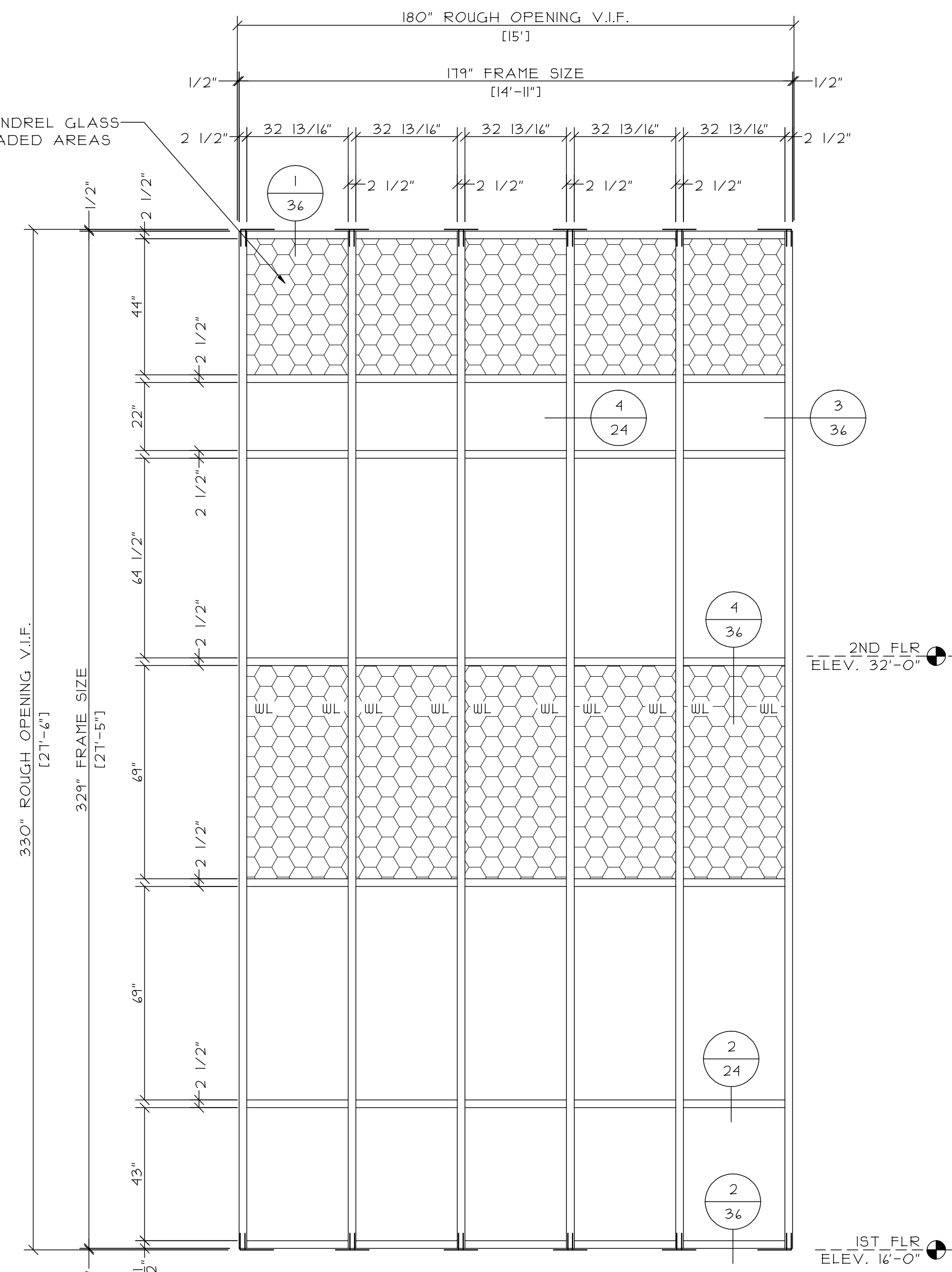
WINDOW TYPE CW34 INTERIOR
1 TOTAL
EFCO 5600 CURTAIN WALL



WINDOW TYPE CW30 INTERIOR
2 TOTAL
EFCO 5600 CURTAIN WALL



WINDOW TYPE CW31 INTERIOR
1 TOTAL
EFCO 5600 CURTAIN WALL



WINDOW TYPE CW32 INTERIOR
1 TOTAL
EFCO 5600 CURTAIN WALL

REVISIONS:

GLAZING CONTRACTOR:

SAMPLE	SAMPLE	SAMPLE
SAMPLE	SAMPLE	SAMPLE
SAMPLE	SAMPLE	SAMPLE
SAMPLE	SAMPLE	SAMPLE
SAMPLE	SAMPLE	SAMPLE

ARCHITECT:

SAMPLE	SAMPLE	SAMPLE
SAMPLE	SAMPLE	SAMPLE
SAMPLE	SAMPLE	SAMPLE
SAMPLE	SAMPLE	SAMPLE
SAMPLE	SAMPLE	SAMPLE

PROJECT: SAMPLE SAMPLE SAMPLE

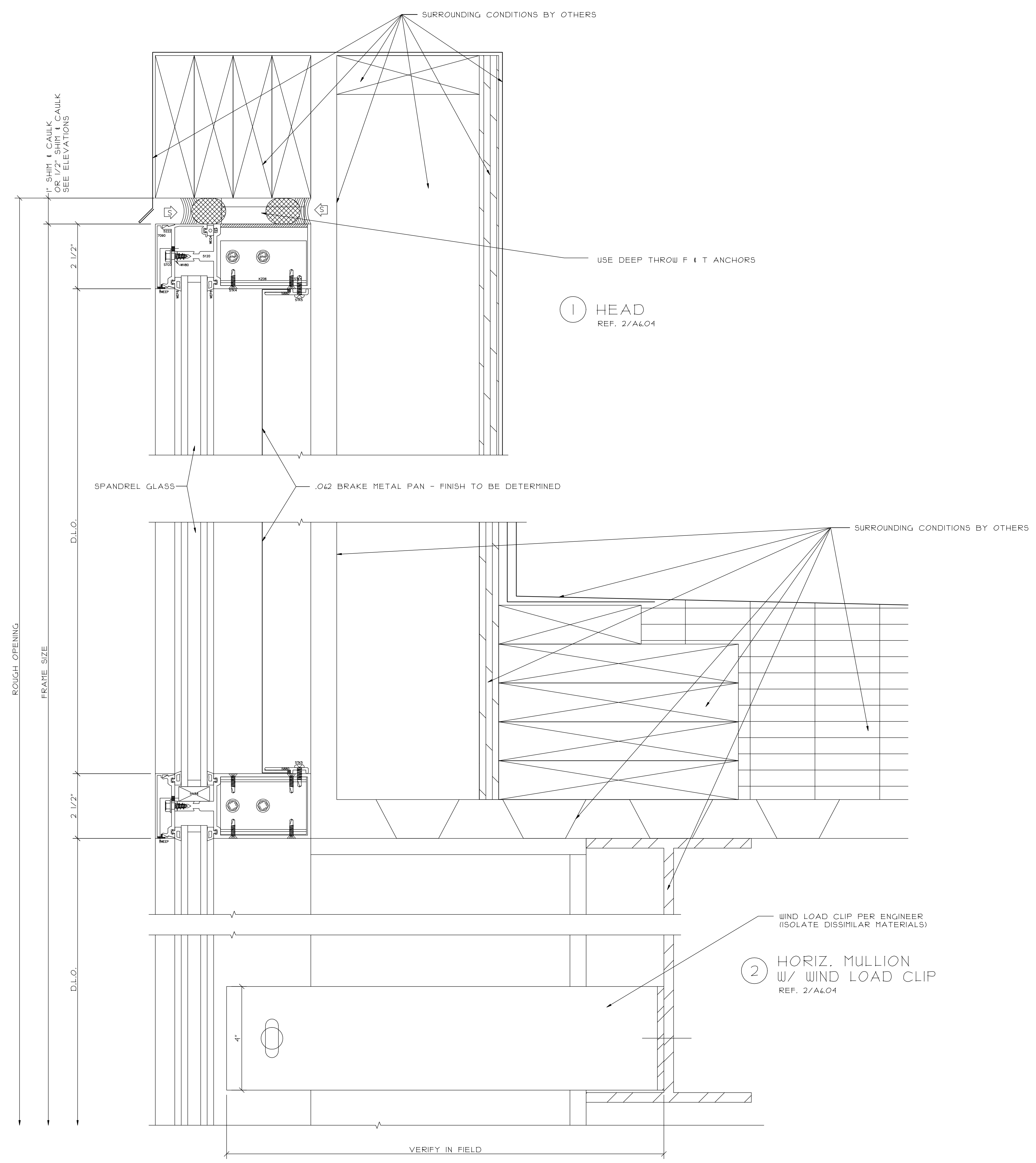
LOCATION: SAMPLE SAMPLE SAMPLE

SCALE:
3/8" = 1'-0"

DATE:
SAMPLE

DRAWN:
SAMPLE

PAGE:
16



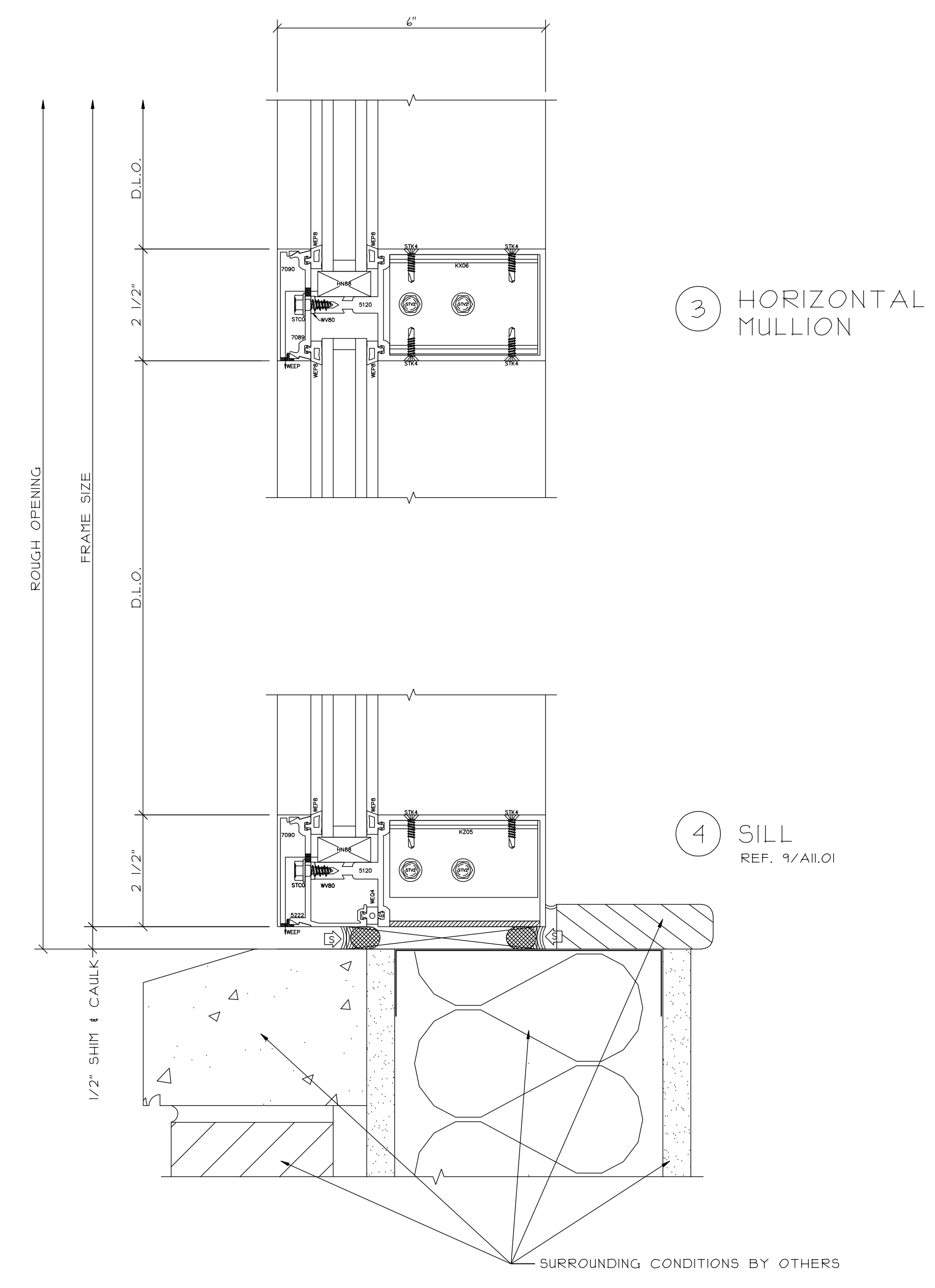
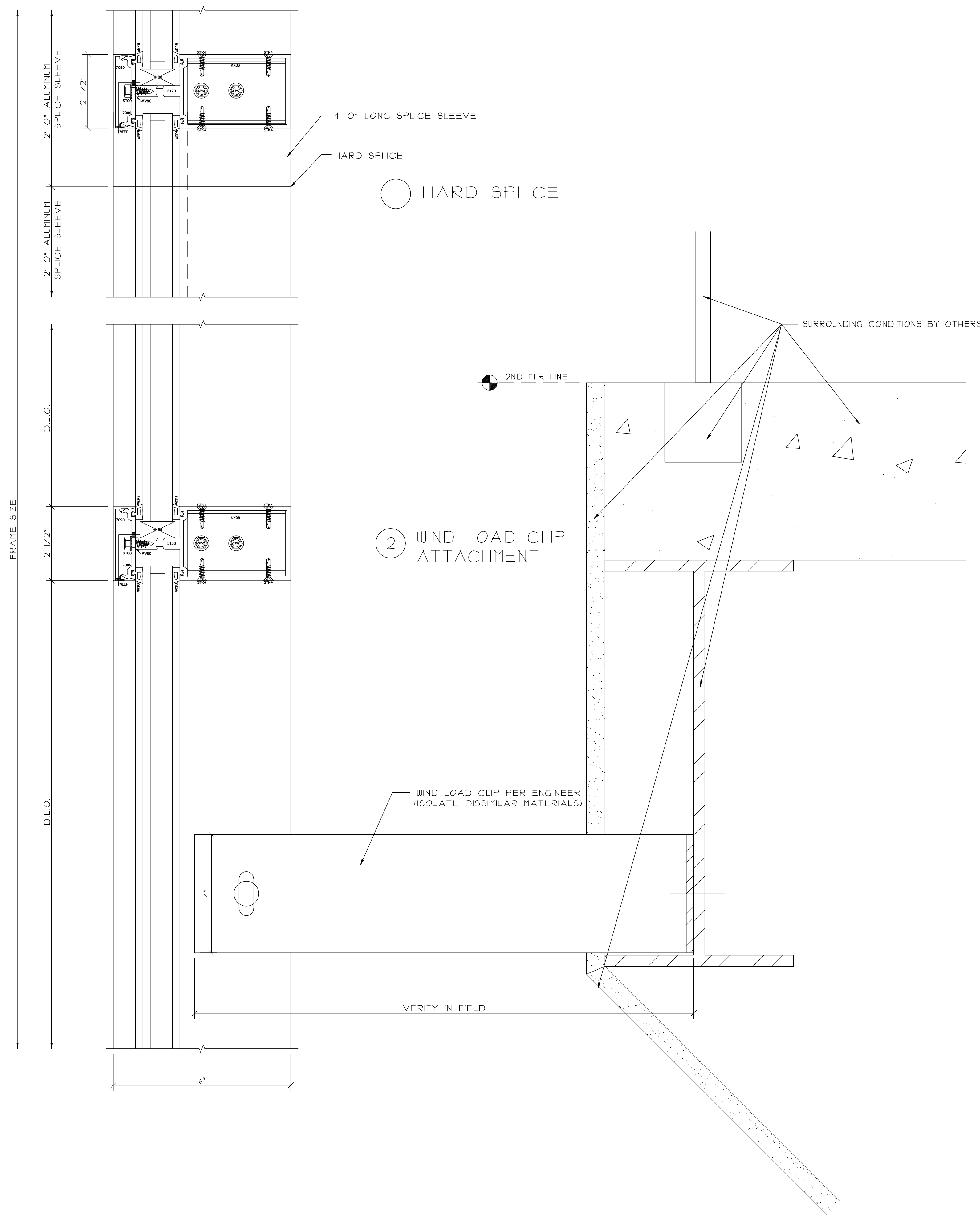
REVISIONS:	DATE:

GLAZING CONTRACTOR:	SAMPLE	SAMPLE	SAMPLE	SAMPLE
	SAMPLE	SAMPLE	SAMPLE	SAMPLE
	SAMPLE	SAMPLE	SAMPLE	SAMPLE
	SAMPLE	SAMPLE	SAMPLE	SAMPLE
	SAMPLE	SAMPLE	SAMPLE	SAMPLE

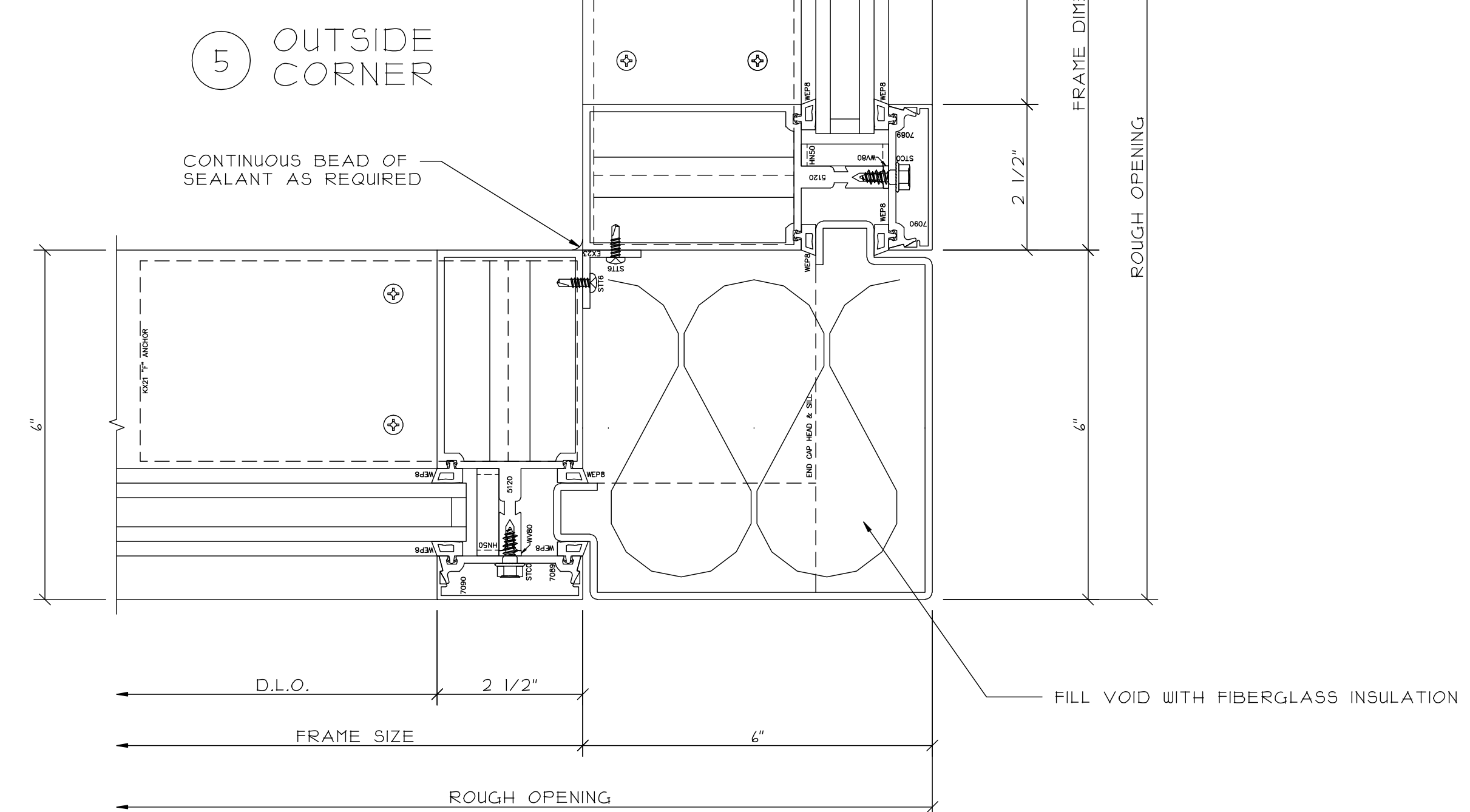
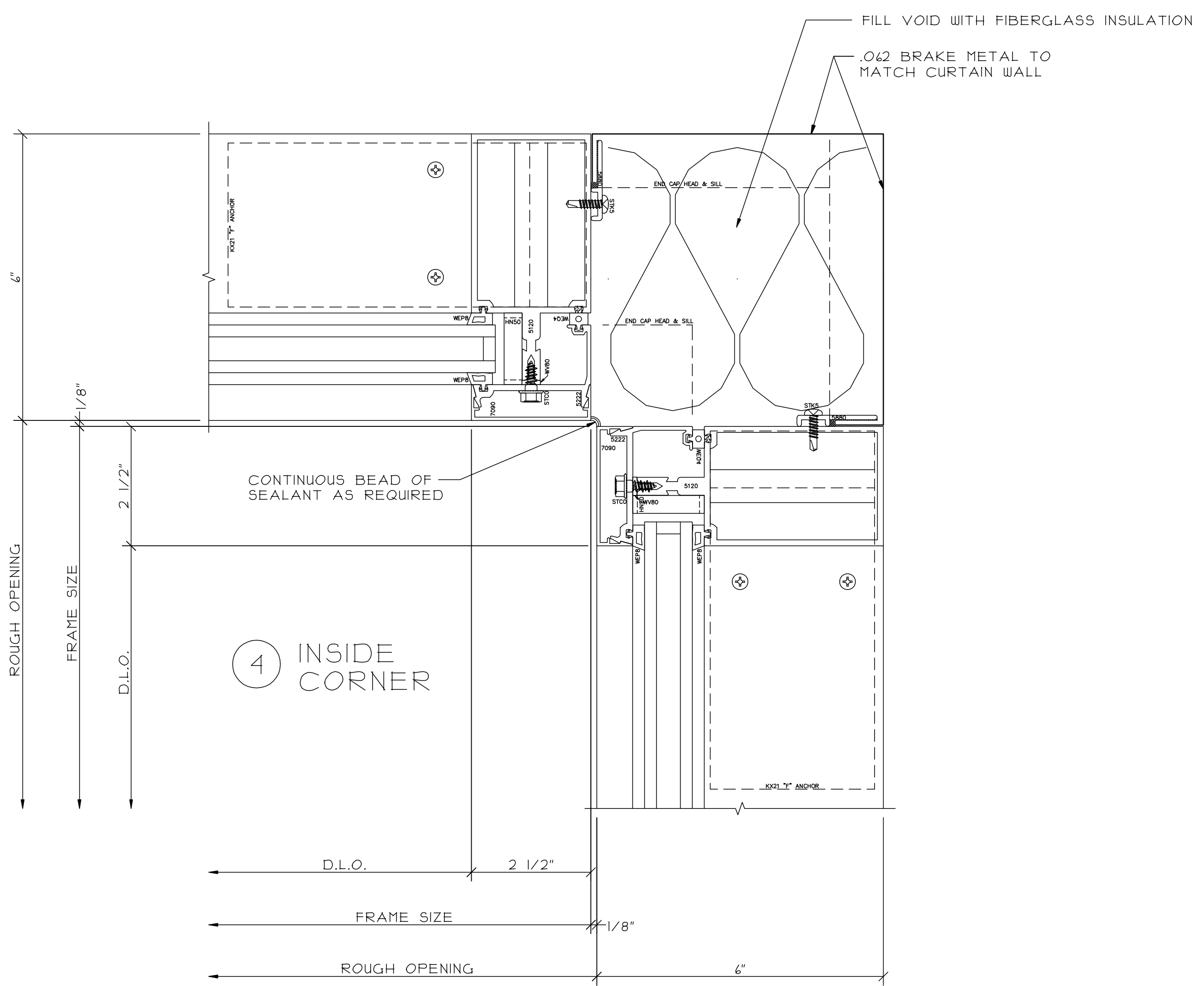
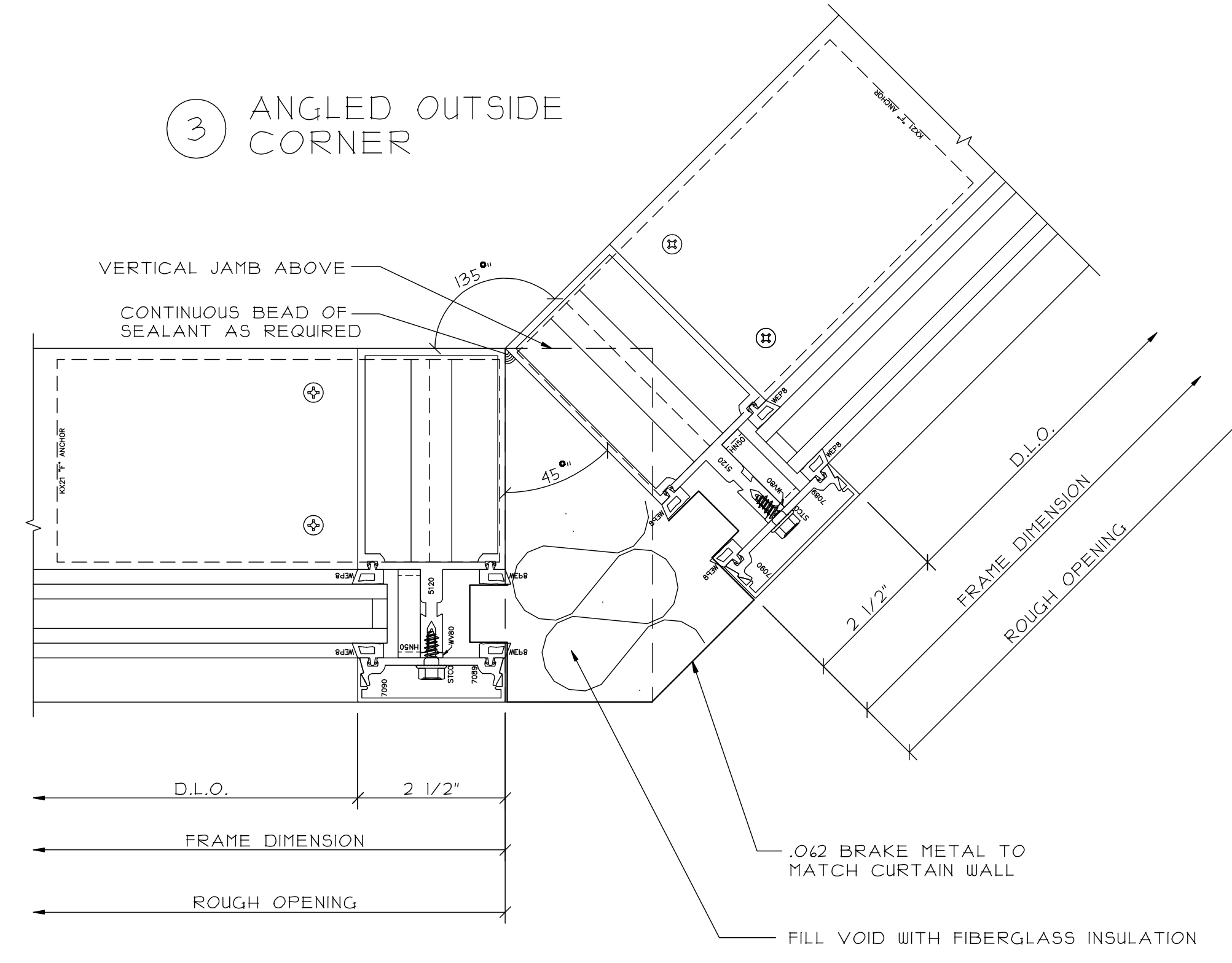
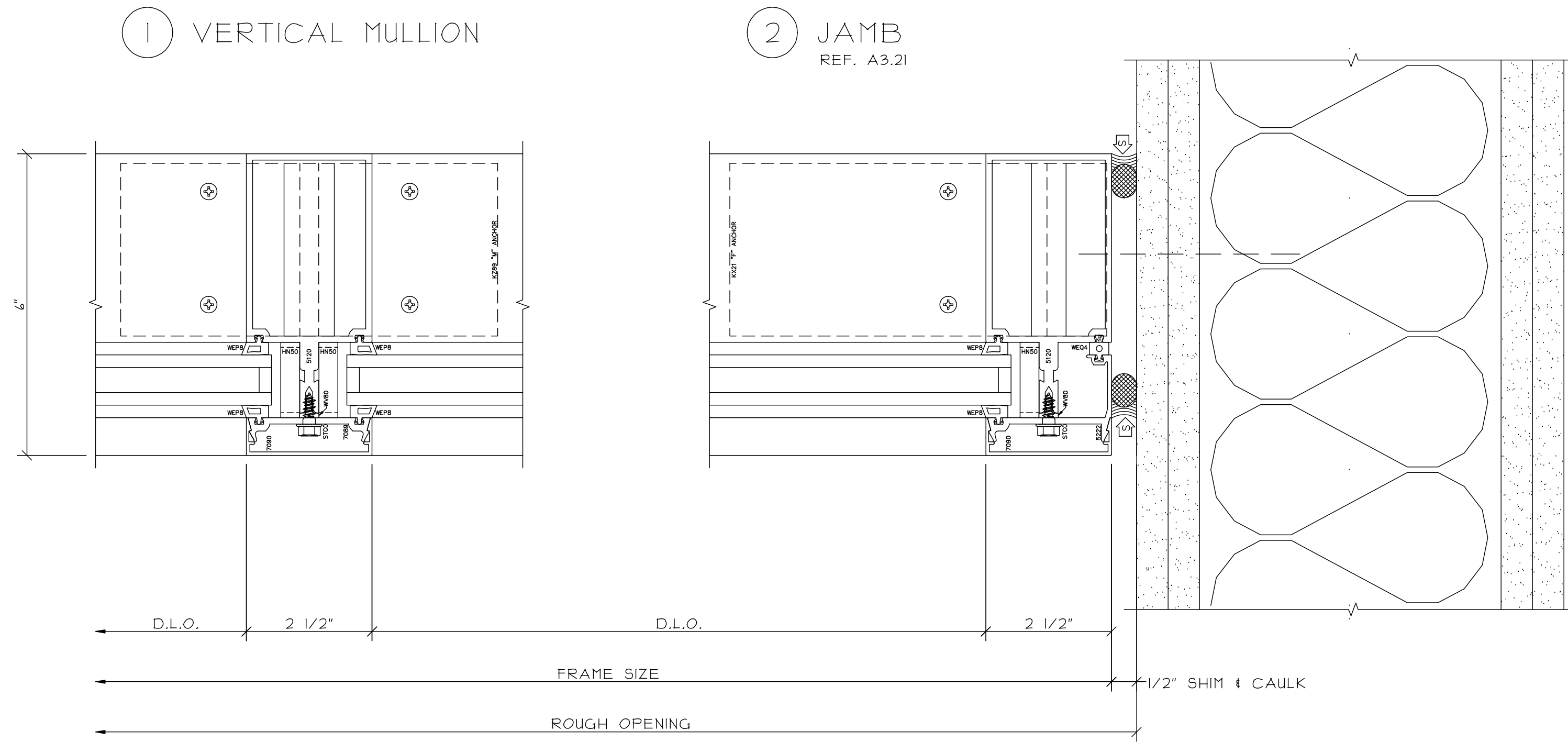
ARCHITECT:	SAMPLE	SAMPLE	SAMPLE	SAMPLE
	SAMPLE	SAMPLE	SAMPLE	SAMPLE
	SAMPLE	SAMPLE	SAMPLE	SAMPLE
	SAMPLE	SAMPLE	SAMPLE	SAMPLE
	SAMPLE	SAMPLE	SAMPLE	SAMPLE

PROJECT:	SAMPLE	SAMPLE	SAMPLE	SAMPLE
LOCATION:	SAMPLE	SAMPLE	SAMPLE	SAMPLE

SCALE:	6" = 1'-0"
DATE:	SAMPLE
DRAWN:	SAMPLE
PAGE:	17



PROJECT:	SAMPLE SAMPLE SAMPLE
LOCATION:	SAMPLE SAMPLE SAMPLE
SCALE:	6" = 1'-0"
DATE:	SAMPLE
DRAWN:	SAMPLE
PAGE:	18
ARCHITECT:	SAMPLE SAMPLE SAMPLE SAMPLE SAMPLE SAMPLE SAMPLE SAMPLE SAMPLE SAMPLE SAMPLE SAMPLE
GLAZING CONTRACTOR:	SAMPLE SAMPLE SAMPLE SAMPLE SAMPLE SAMPLE SAMPLE SAMPLE SAMPLE SAMPLE SAMPLE SAMPLE
REVISIONS:	
DATE:	



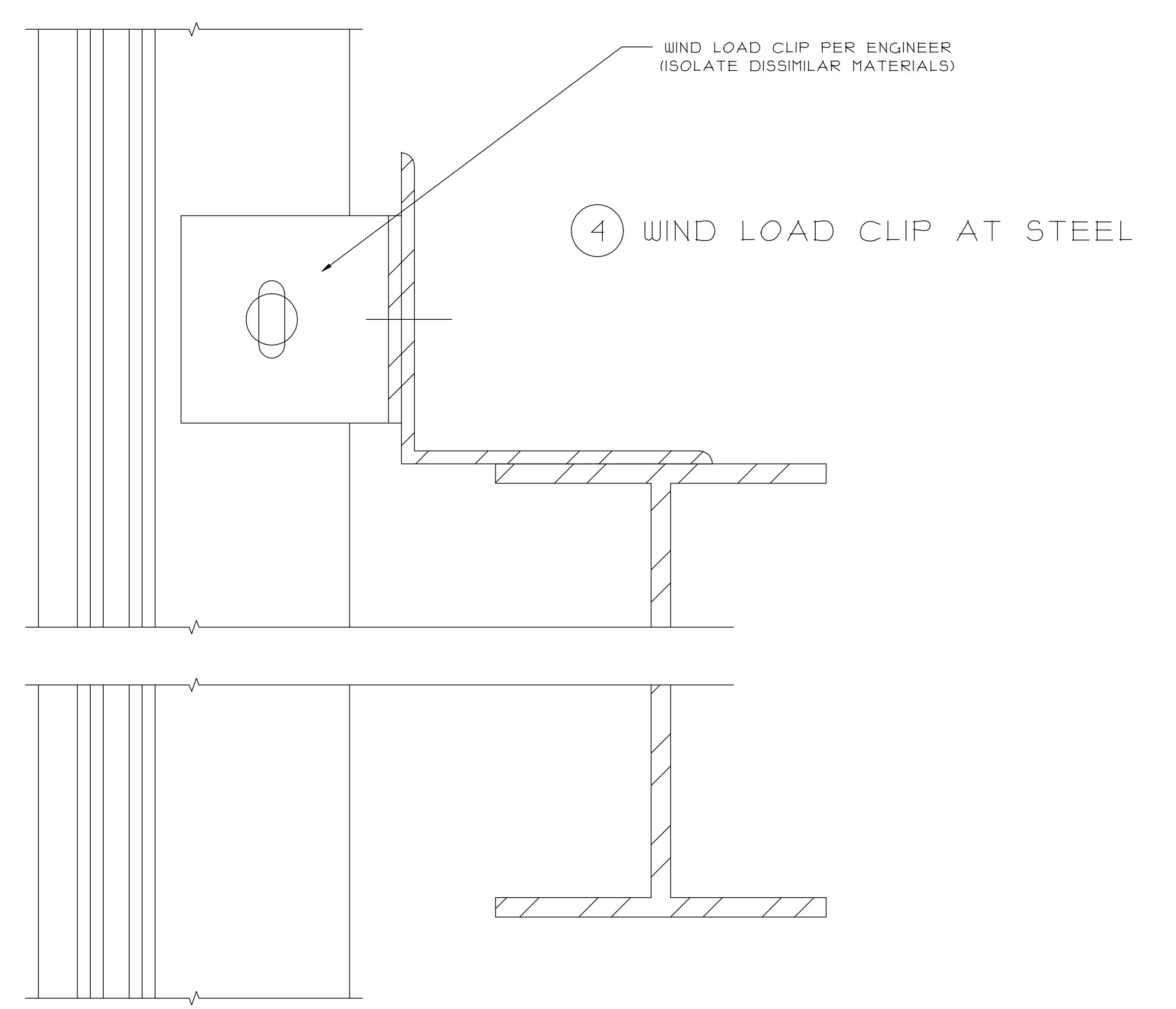
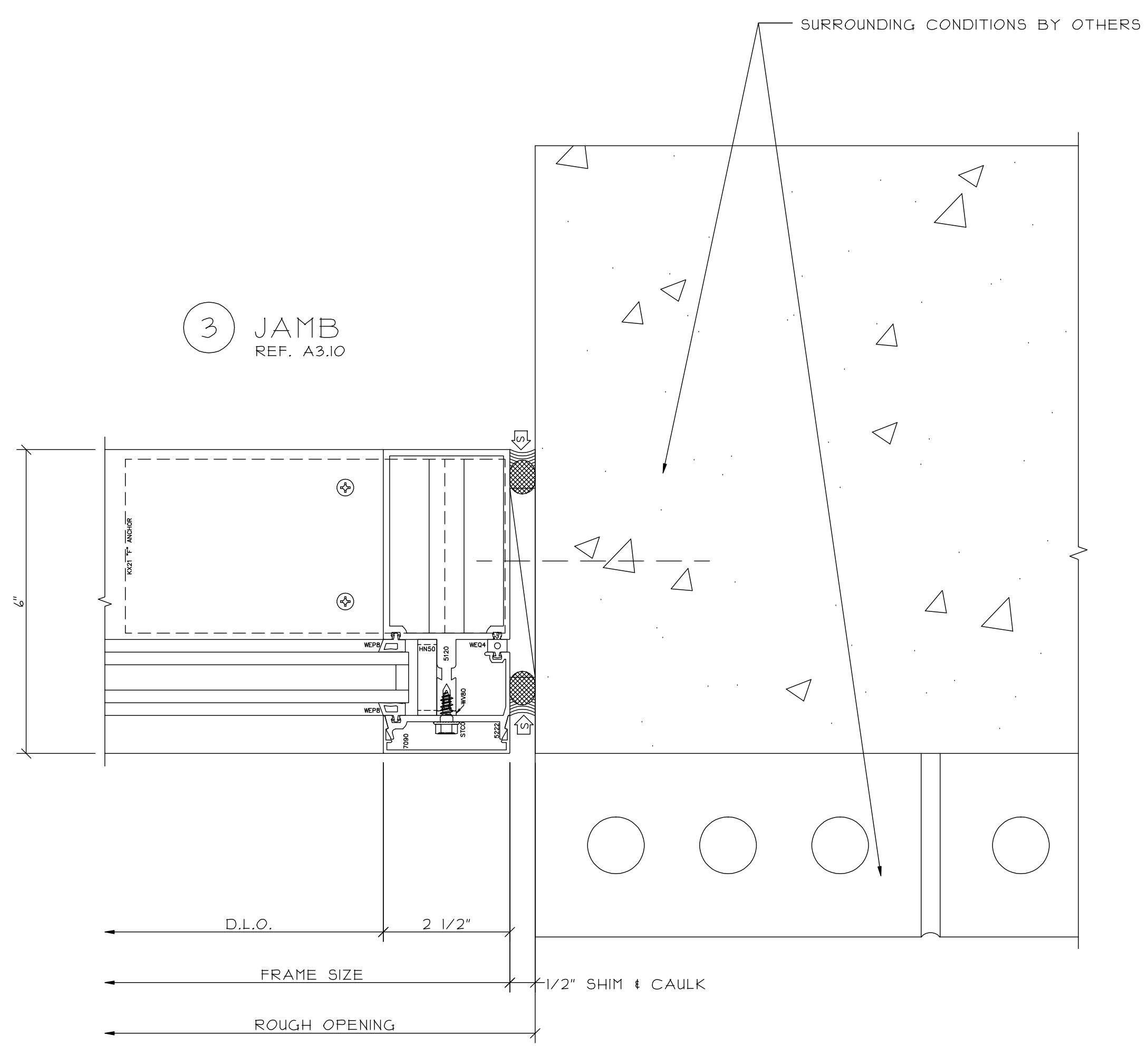
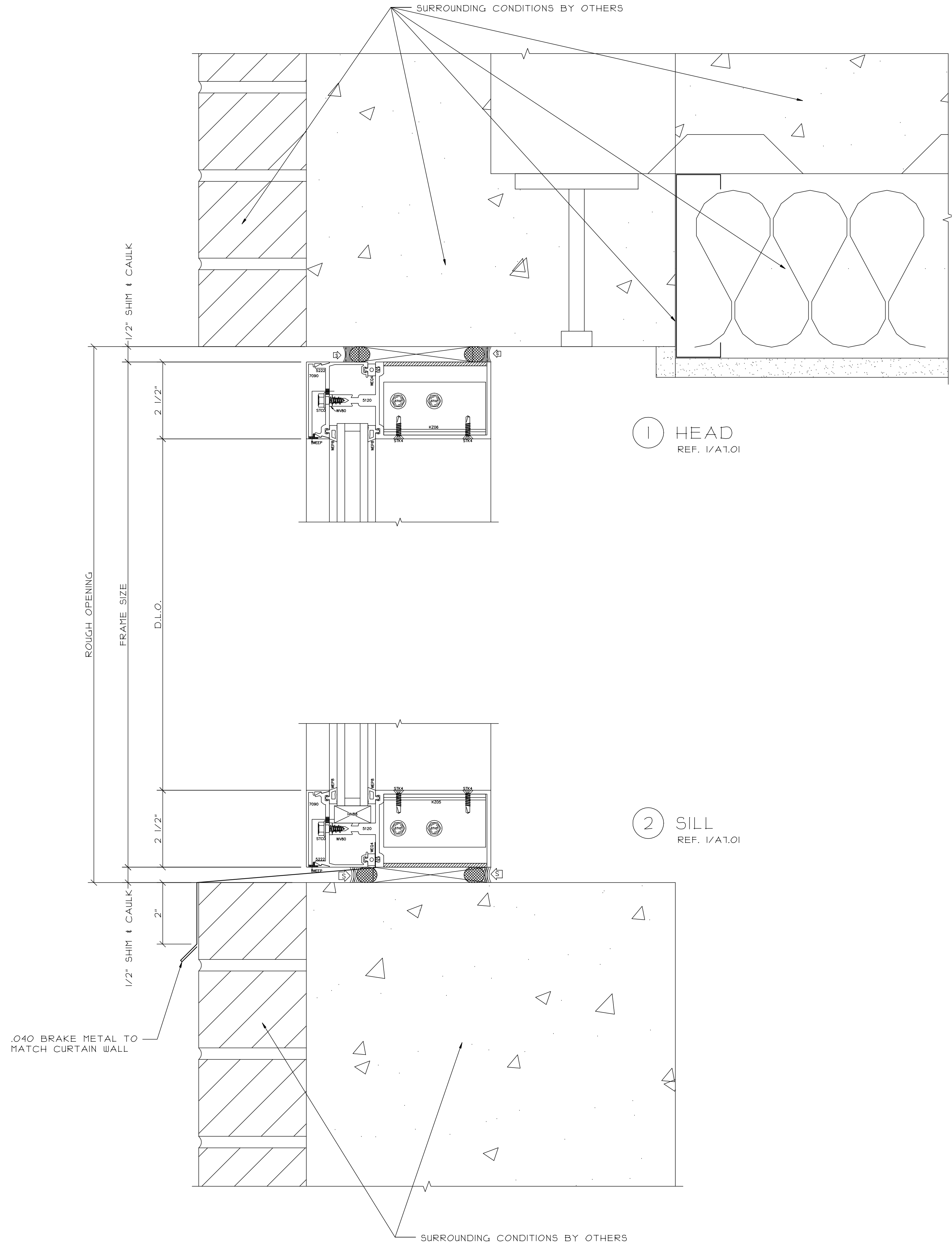
REVISIONS:	DATE:

GLAZING CONTRACTOR:
 SAMPLE SAMPLE SAMPLE
 SAMPLE SAMPLE SAMPLE
 SAMPLE SAMPLE SAMPLE
 SAMPLE SAMPLE SAMPLE
 SAMPLE SAMPLE SAMPLE

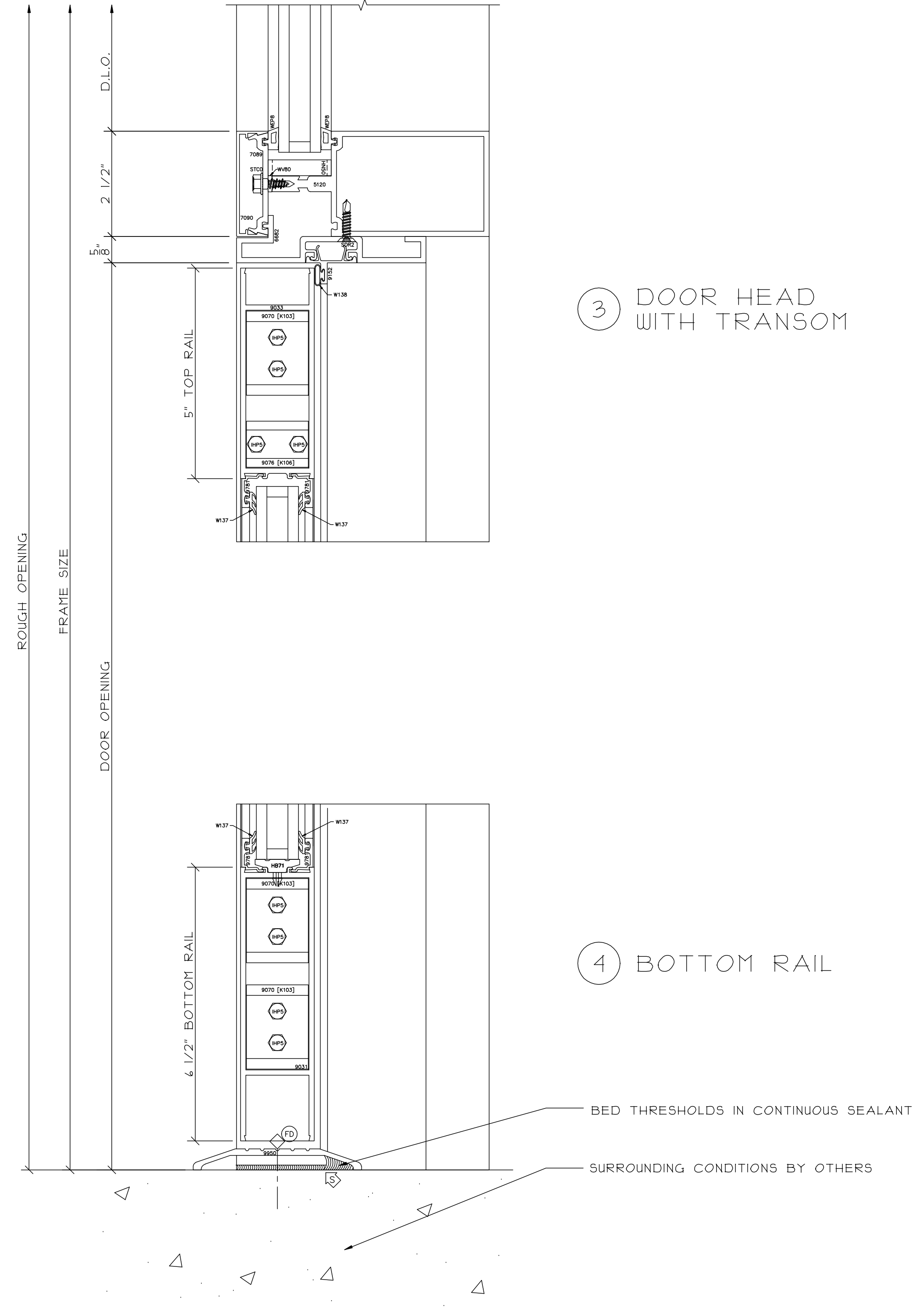
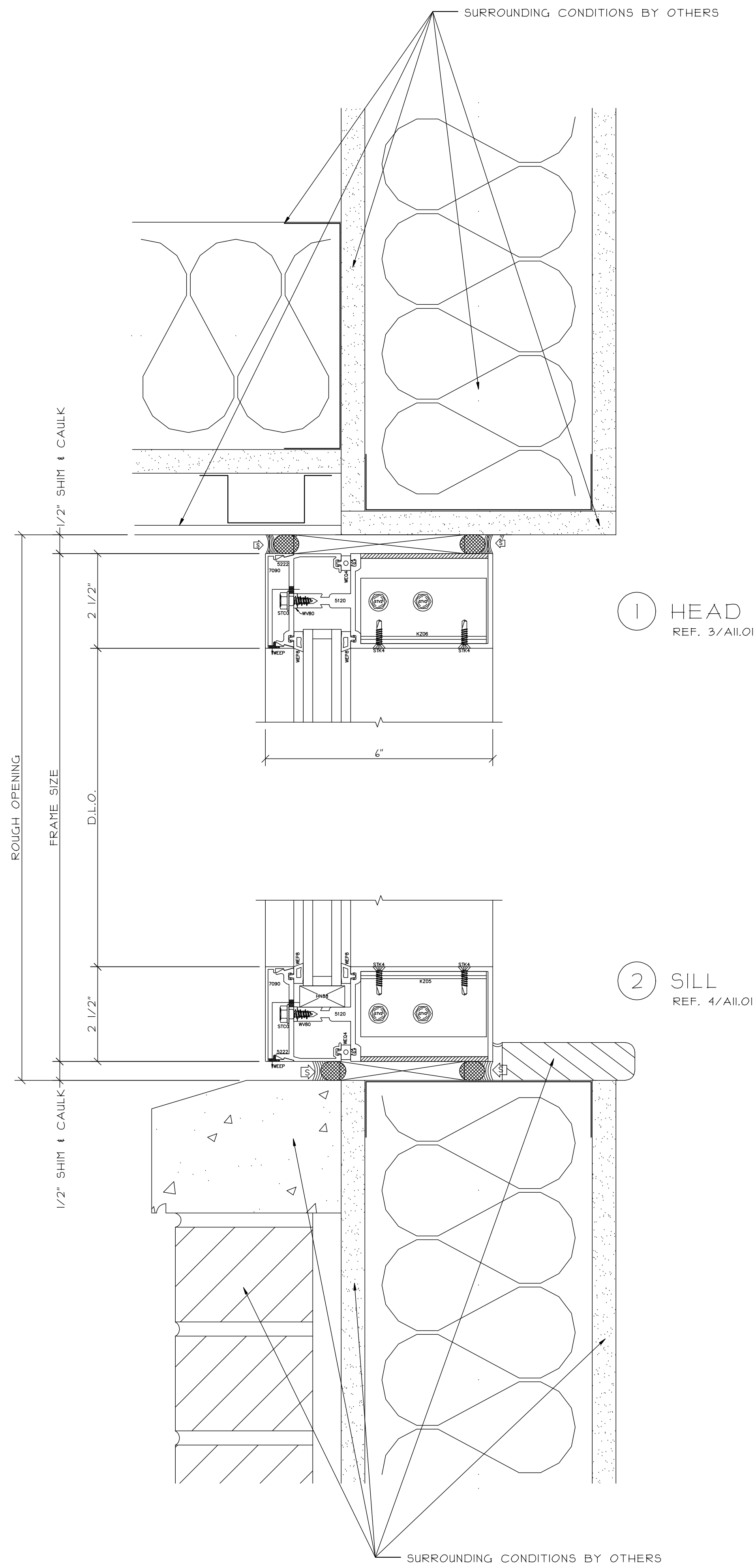
ARCHITECT:
 SAMPLE SAMPLE SAMPLE
 SAMPLE SAMPLE SAMPLE
 SAMPLE SAMPLE SAMPLE
 SAMPLE SAMPLE SAMPLE
 SAMPLE SAMPLE SAMPLE

PROJECT: SAMPLE SAMPLE SAMPLE
 LOCATION: SAMPLE SAMPLE SAMPLE

SCALE:
 6" = 1'-0"
 DATE:
 SAMPLE
 DRAWN:
 SAMPLE
 PAGE:
 19

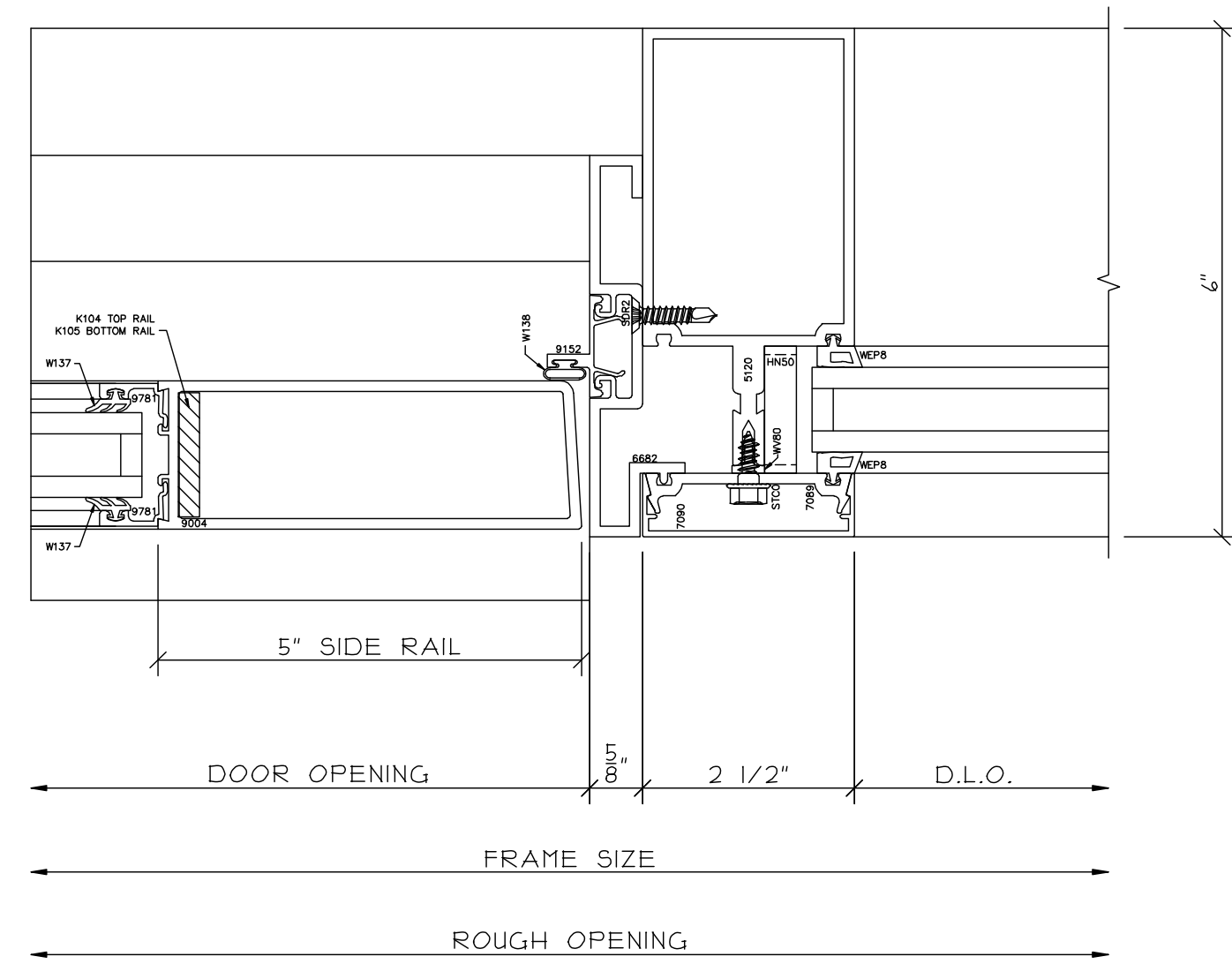


PROJECT:	SAMPLE SAMPLE SAMPLE
LOCATION:	SAMPLE SAMPLE SAMPLE
SCALE:	6" = 1'-0"
DATE:	SAMPLE
DRAWN:	SAMPLE
PAGE:	20
GLAZING CONTRACTOR:	SAMPLE SAMPLE SAMPLE
ARCHITECT:	SAMPLE SAMPLE SAMPLE
REVISIONS:	
DATE:	

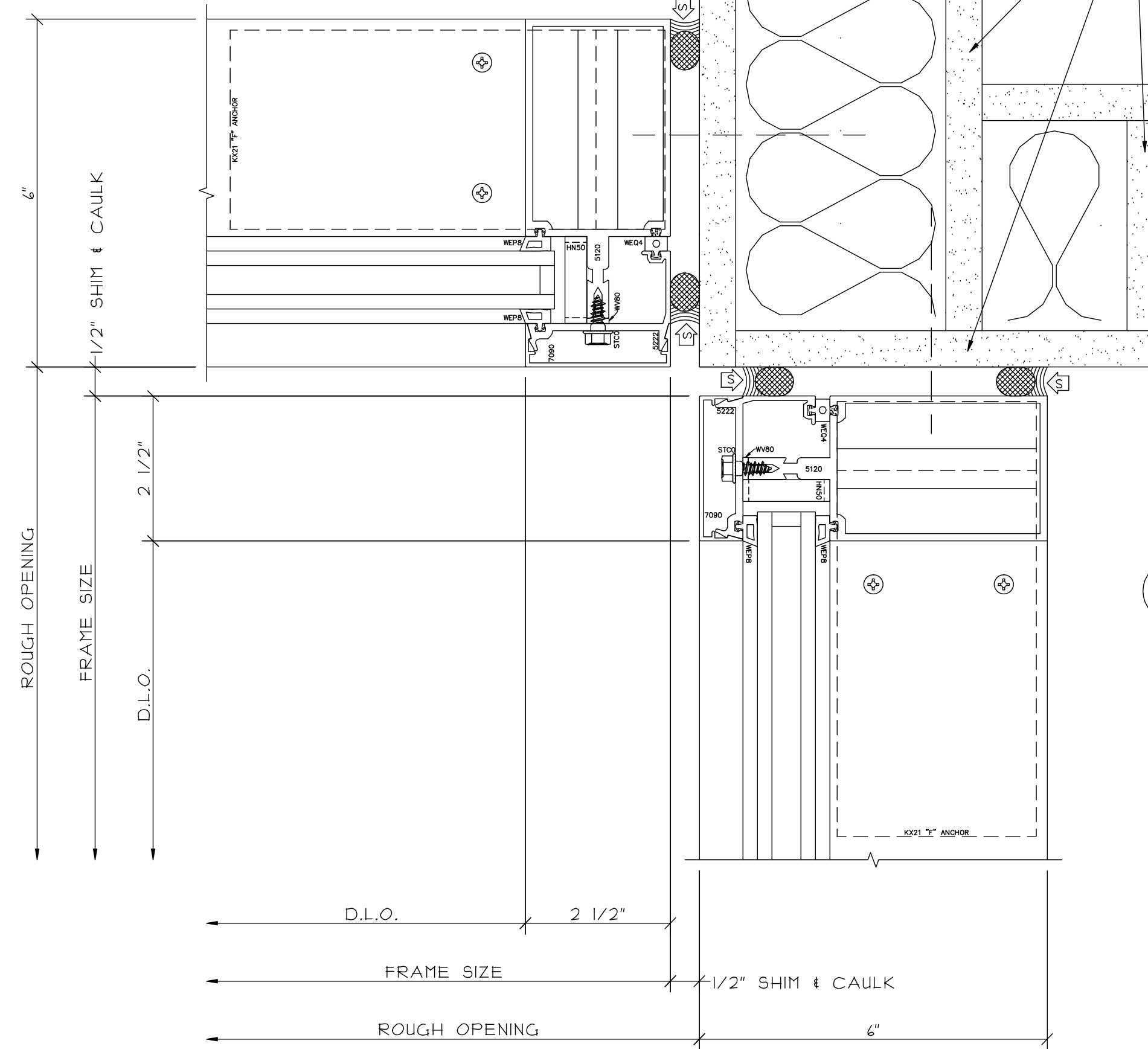


PROJECT:	SAMPLE SAMPLE SAMPLE
LOCATION:	SAMPLE SAMPLE SAMPLE
SCALE:	6" = 1'-0"
DATE:	SAMPLE
DRAWN:	SAMPLE
PAGE:	21
ARCHITECT:	SAMPLE SAMPLE SAMPLE SAMPLE SAMPLE SAMPLE SAMPLE SAMPLE SAMPLE SAMPLE SAMPLE SAMPLE
GLAZING CONTRACTOR:	SAMPLE SAMPLE SAMPLE SAMPLE SAMPLE SAMPLE SAMPLE SAMPLE SAMPLE SAMPLE SAMPLE SAMPLE
REVISIONS:	
DATE:	

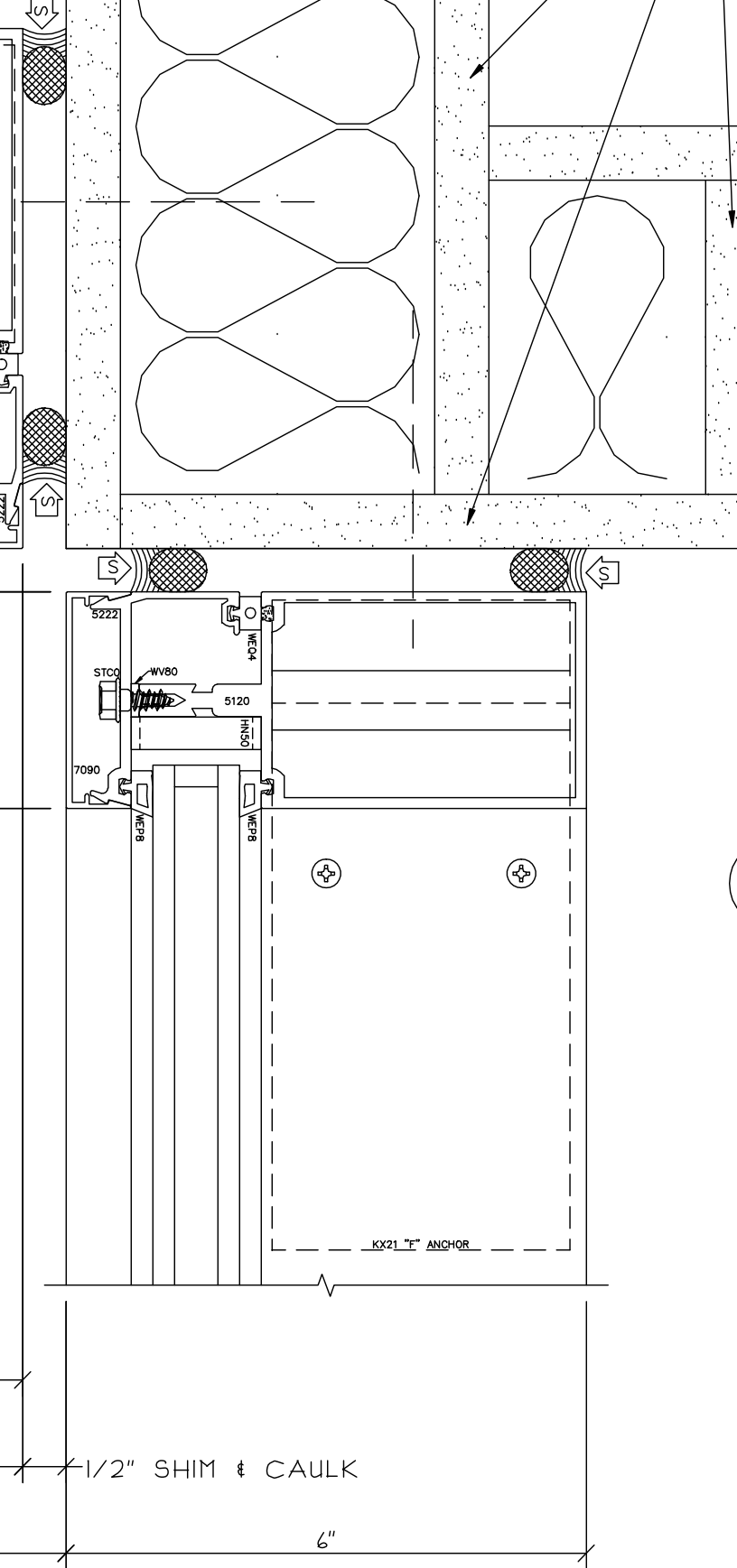
1 DOOR JAMB WITH SIDELIGHT



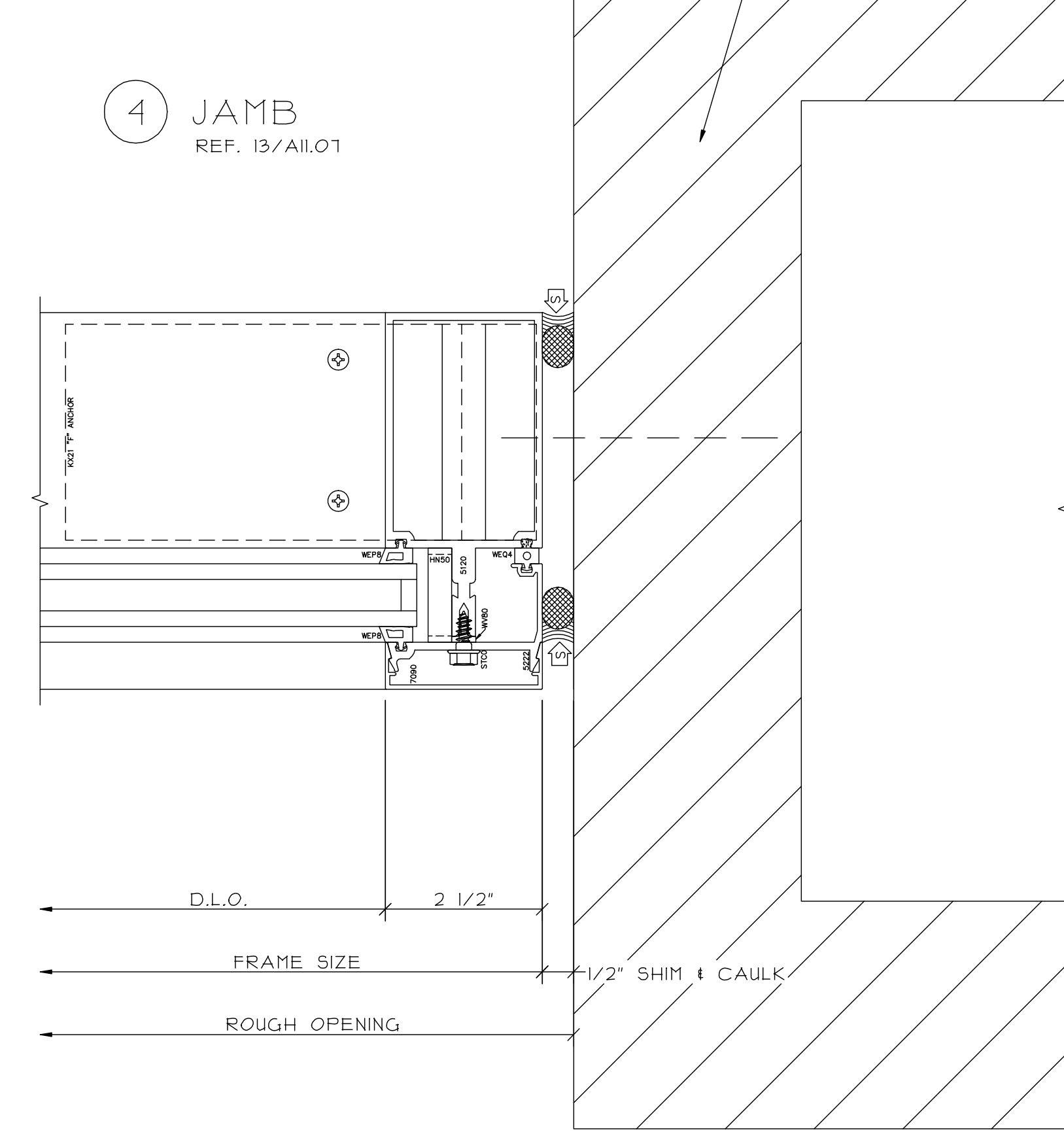
2 JAMB
REF. A3.20



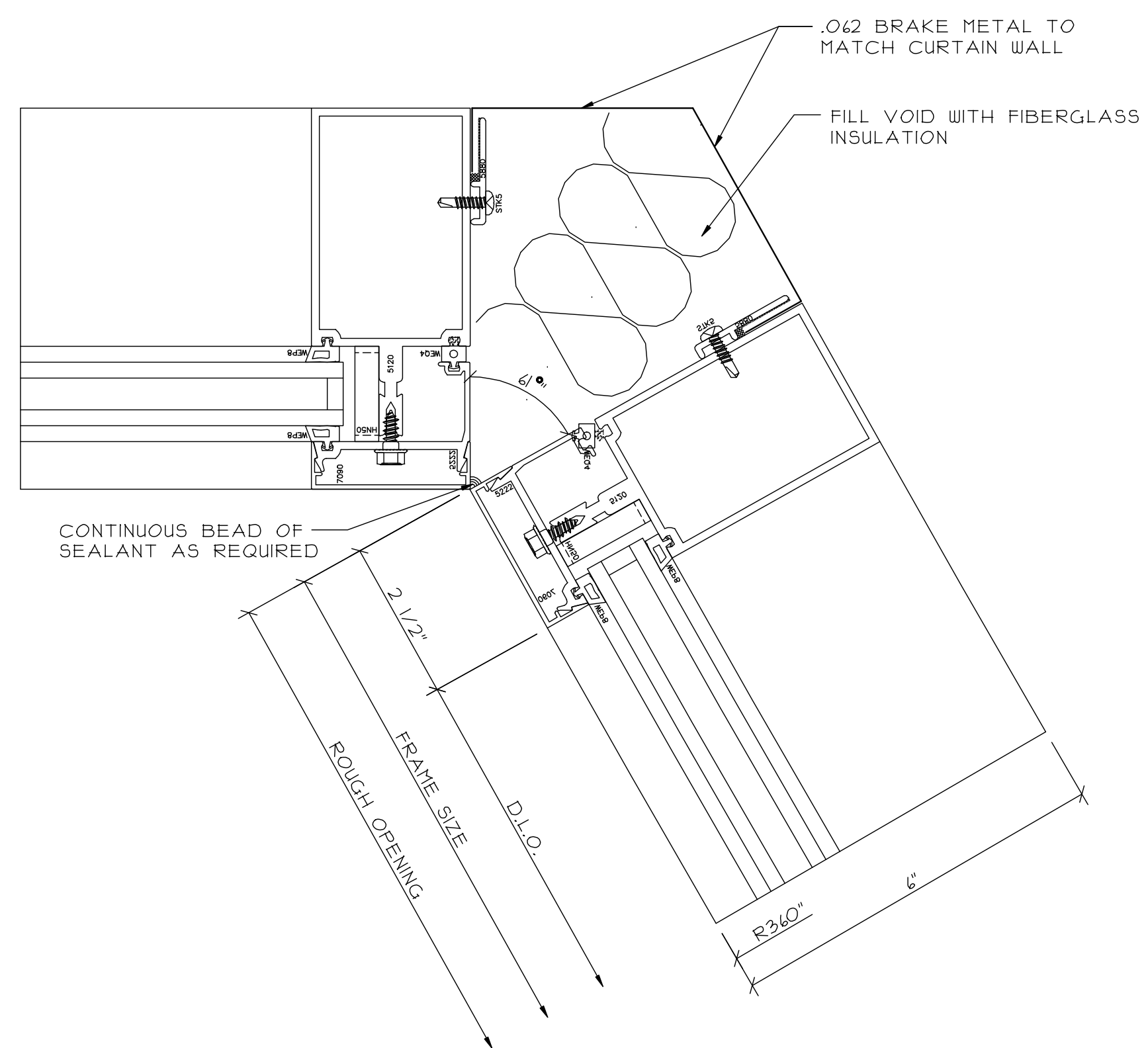
3 JAMB
REF. A3.20



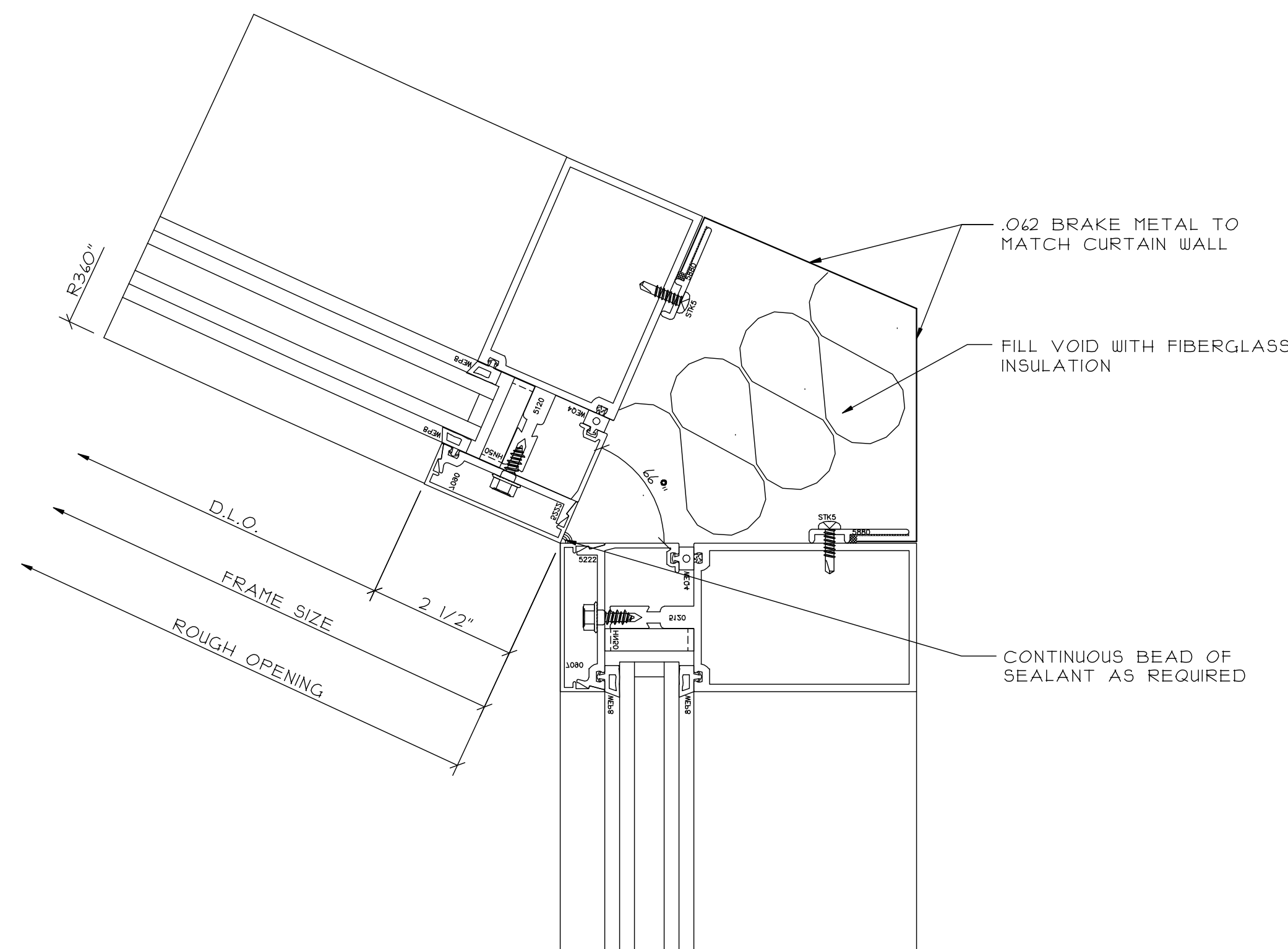
4 JAMB
REF. I3/AII.01



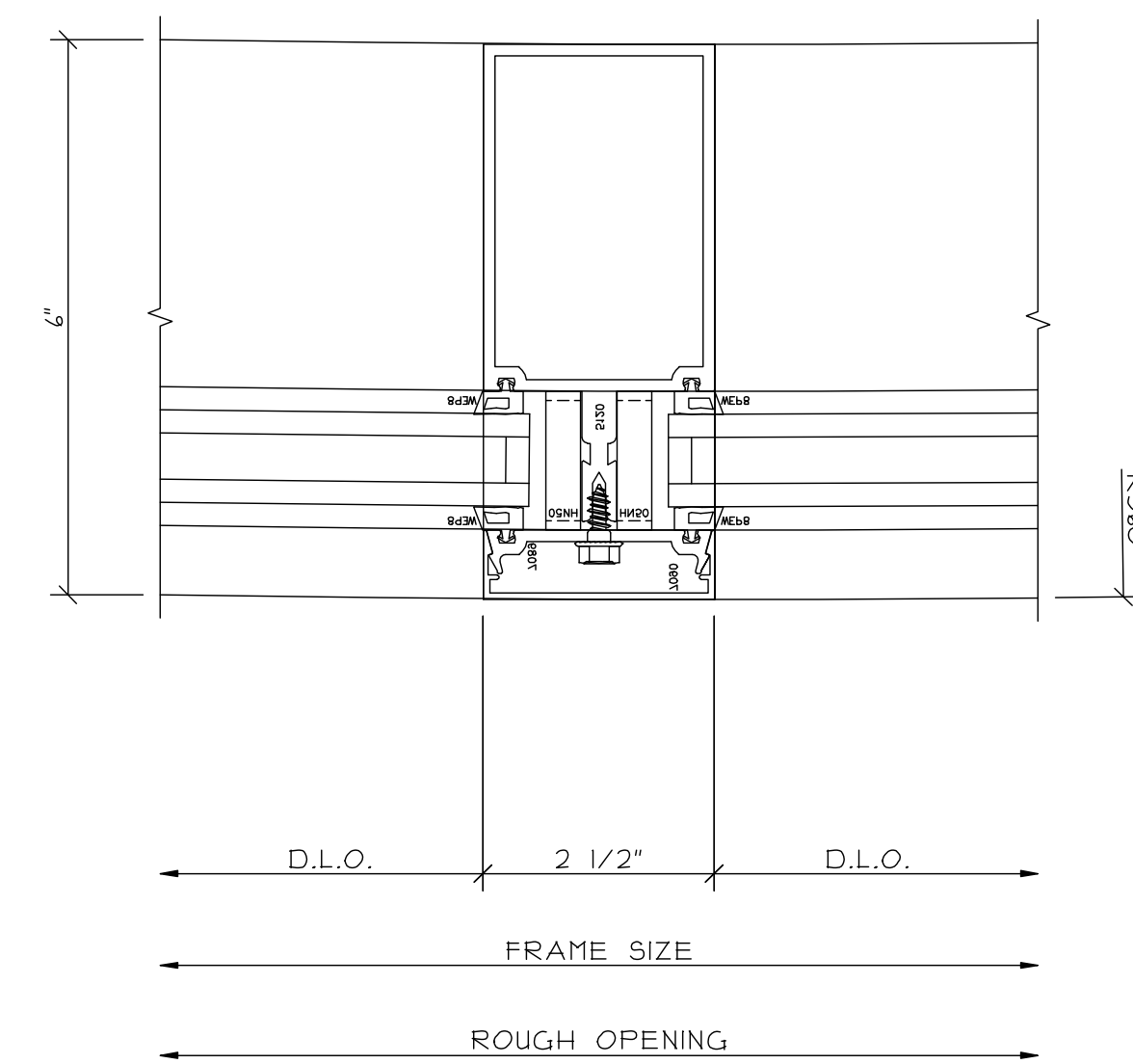
5 ANGLED INSIDE CORNER



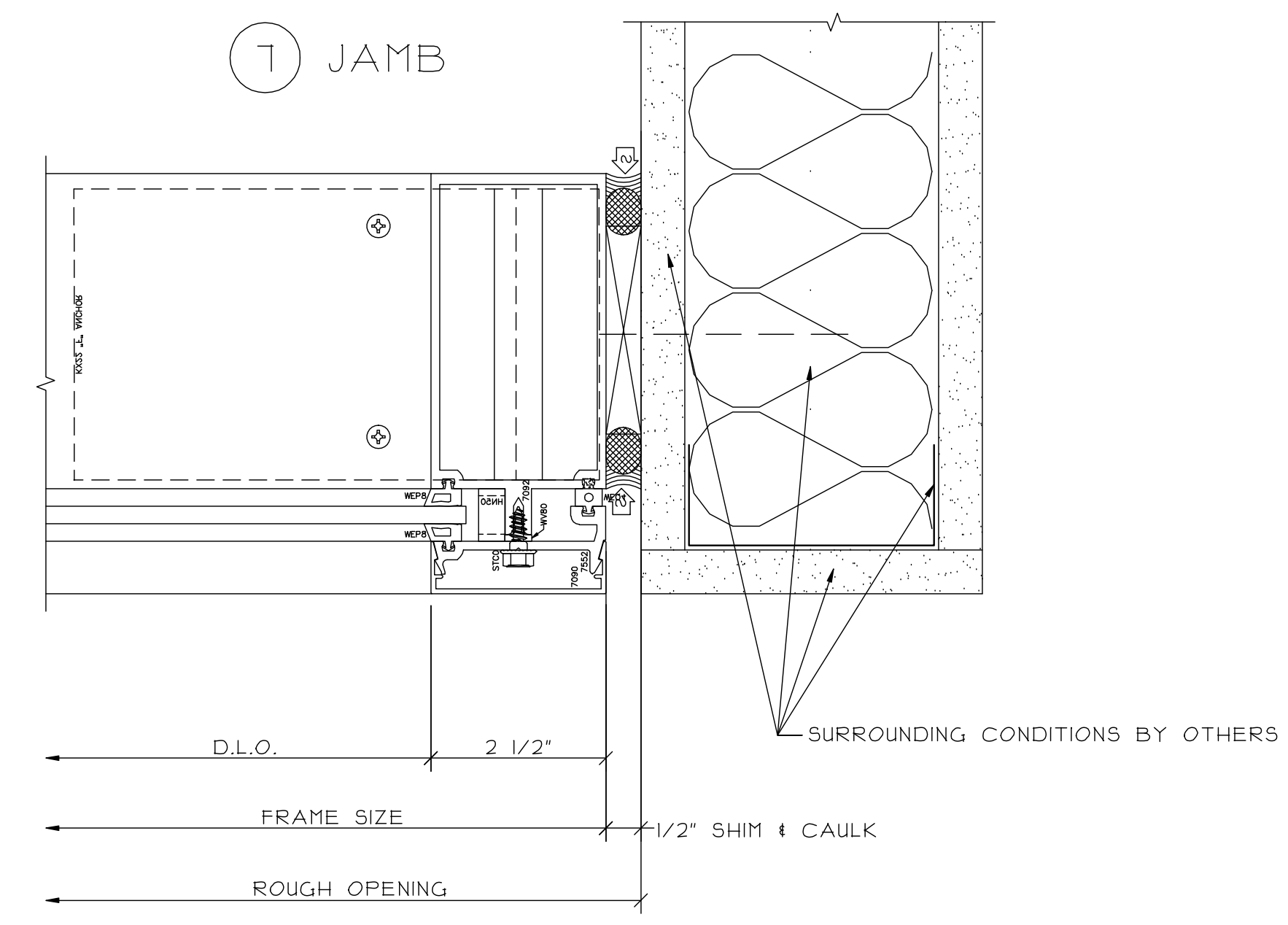
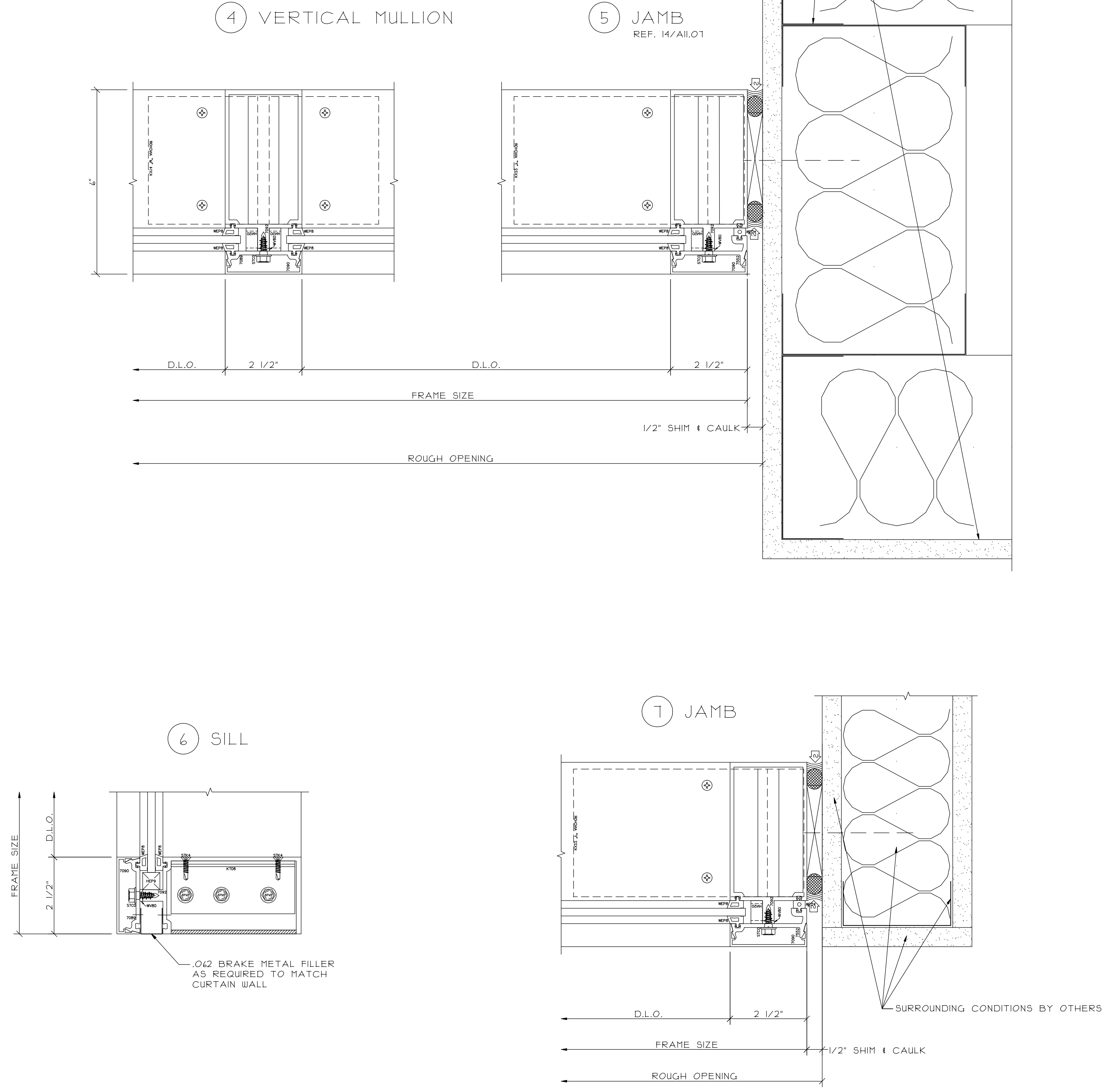
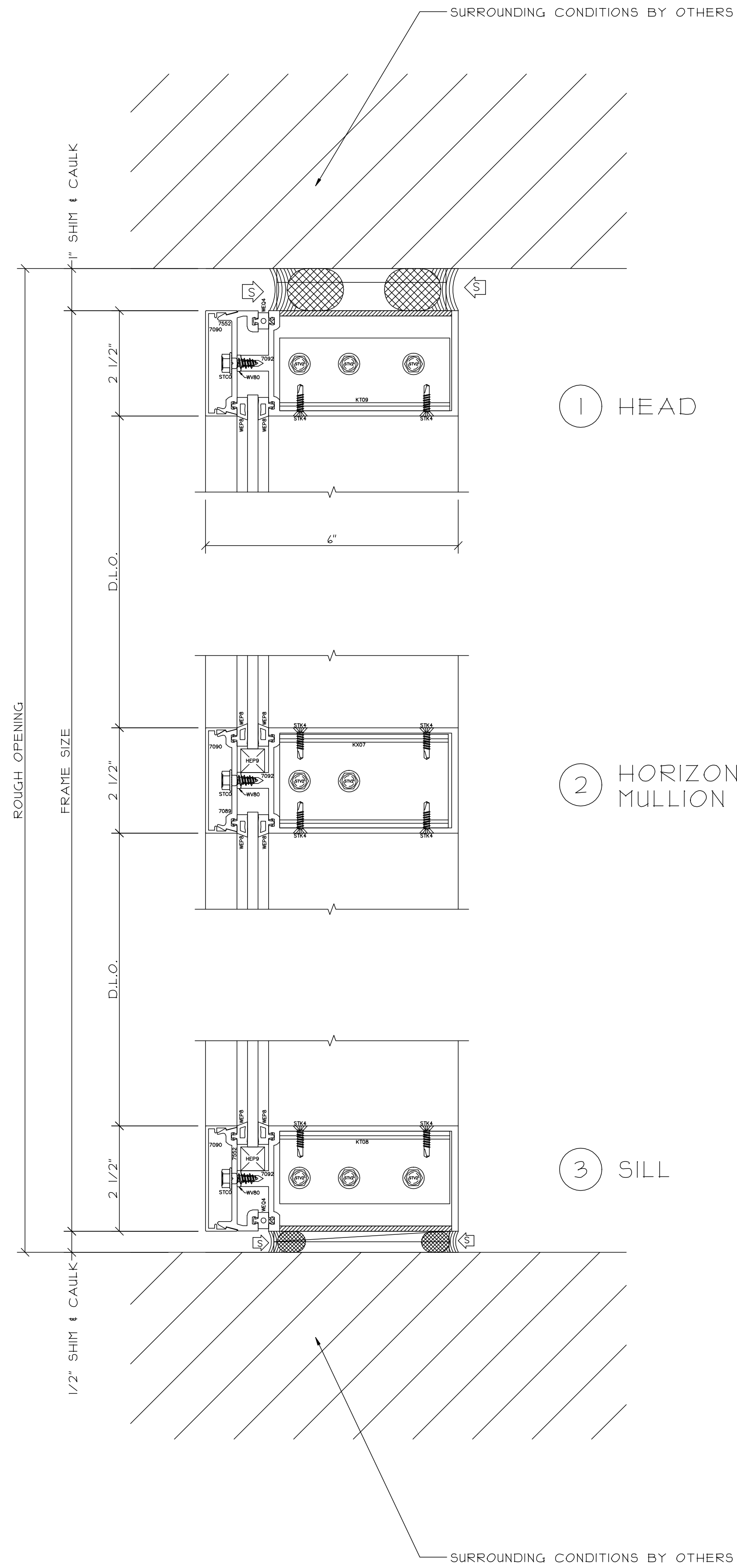
6 ANGLED INSIDE CORNER



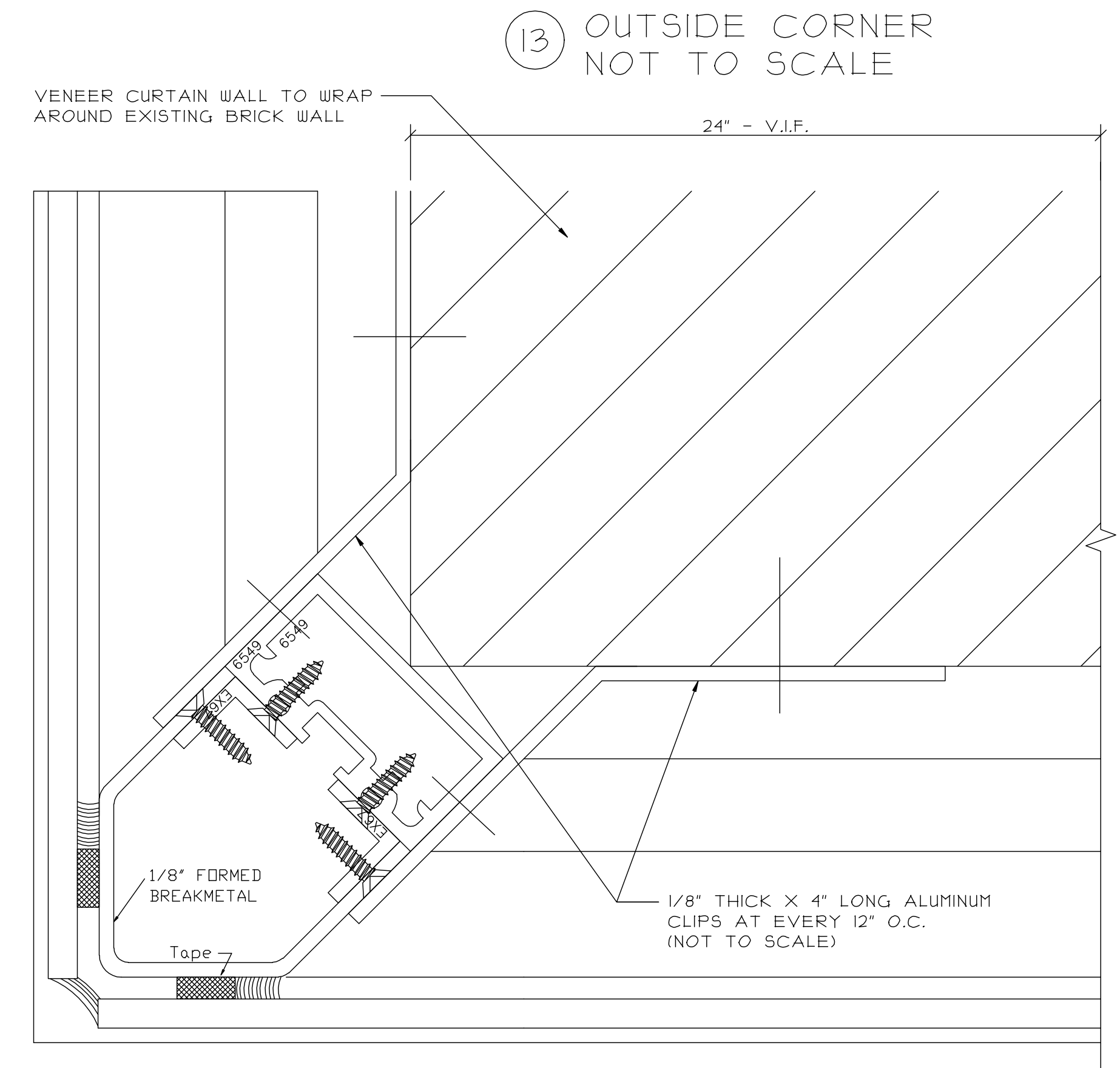
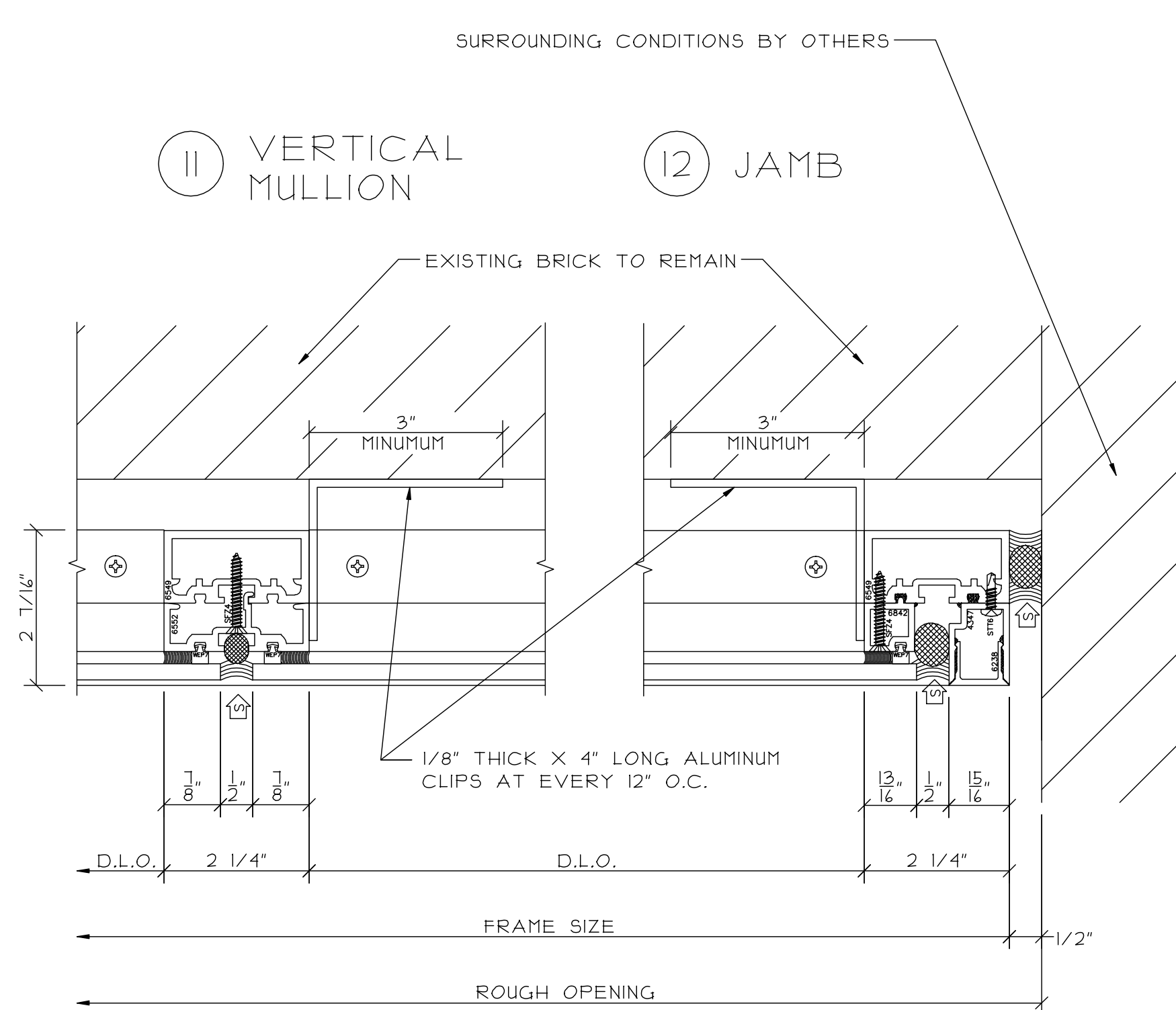
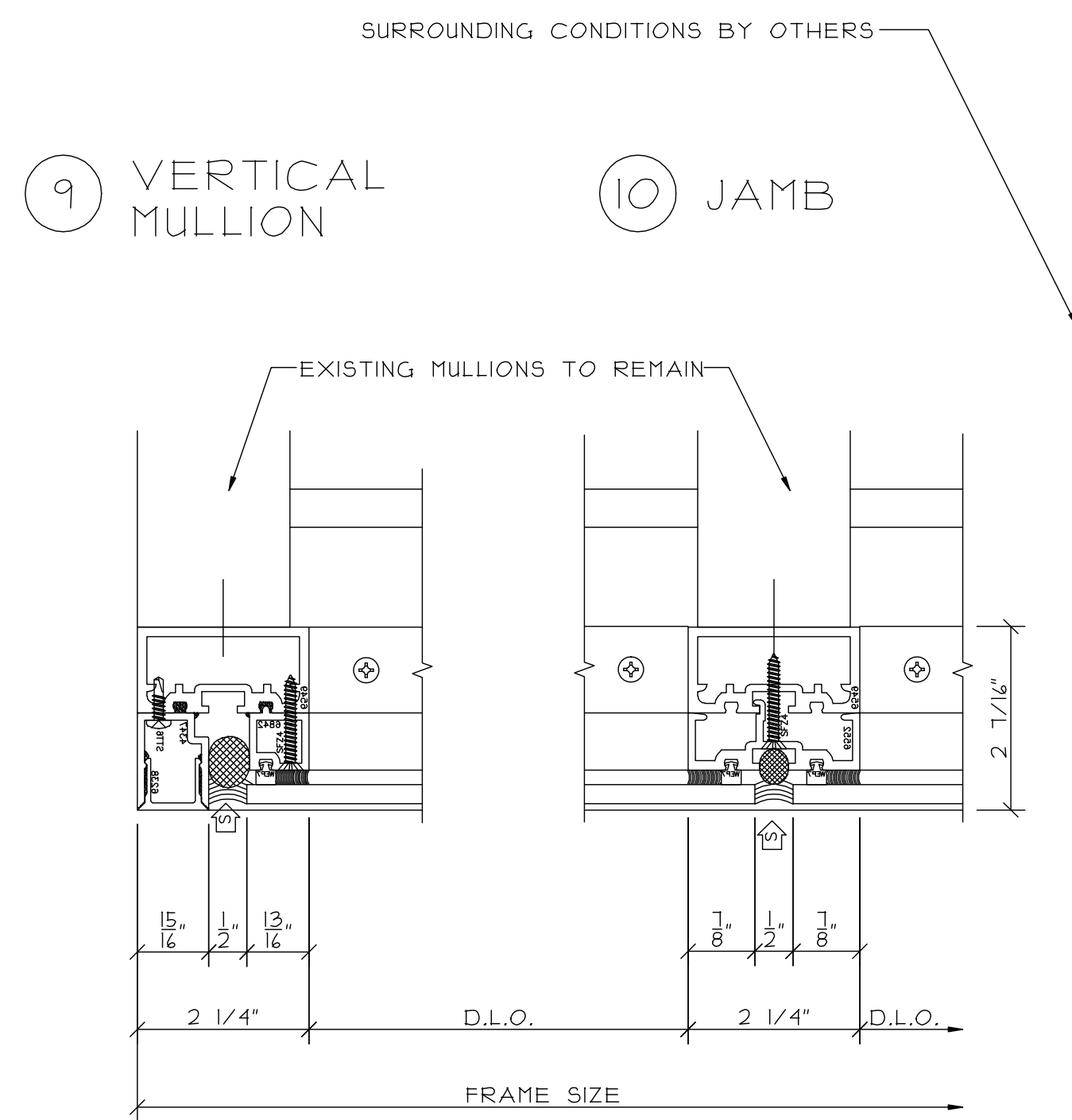
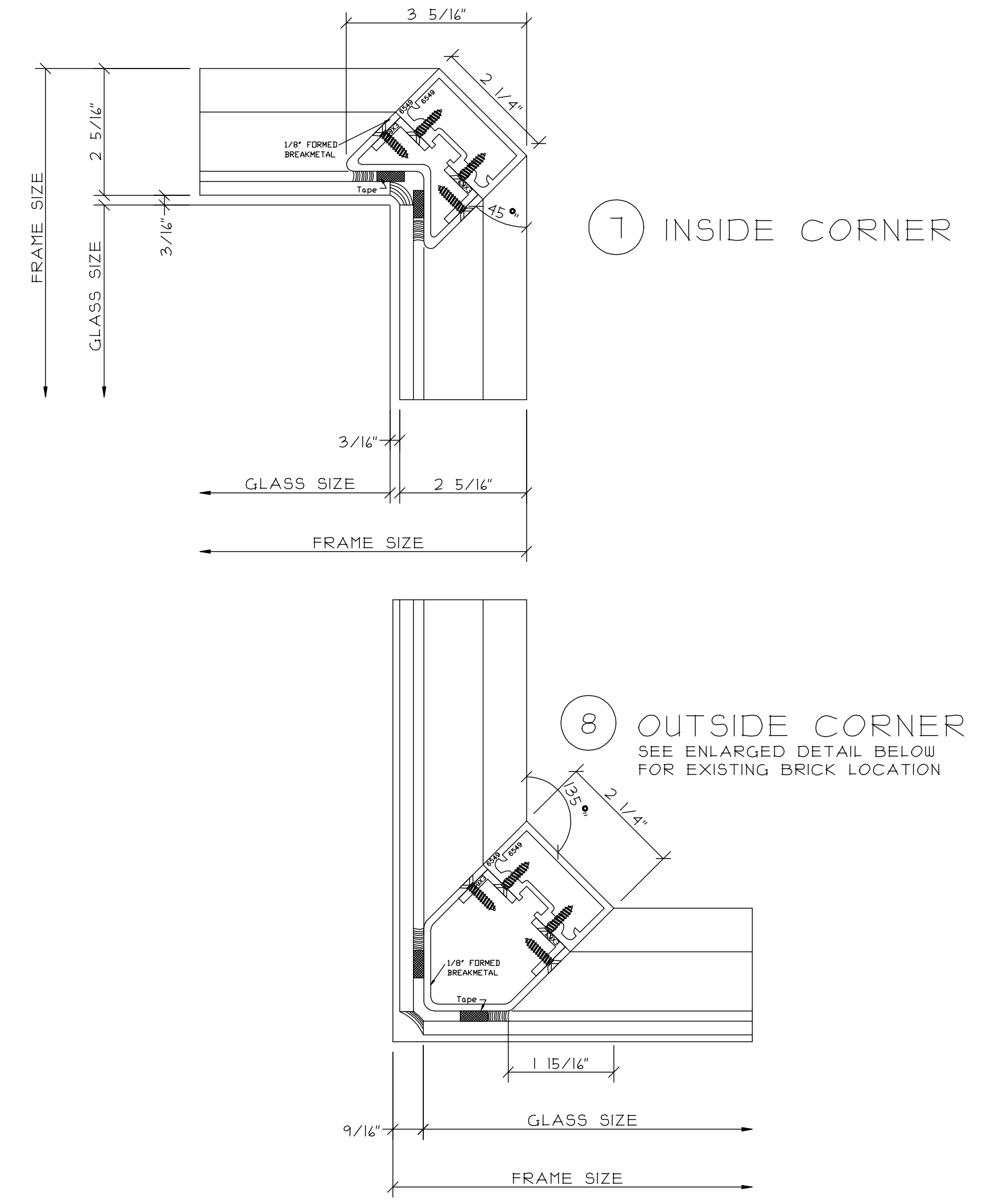
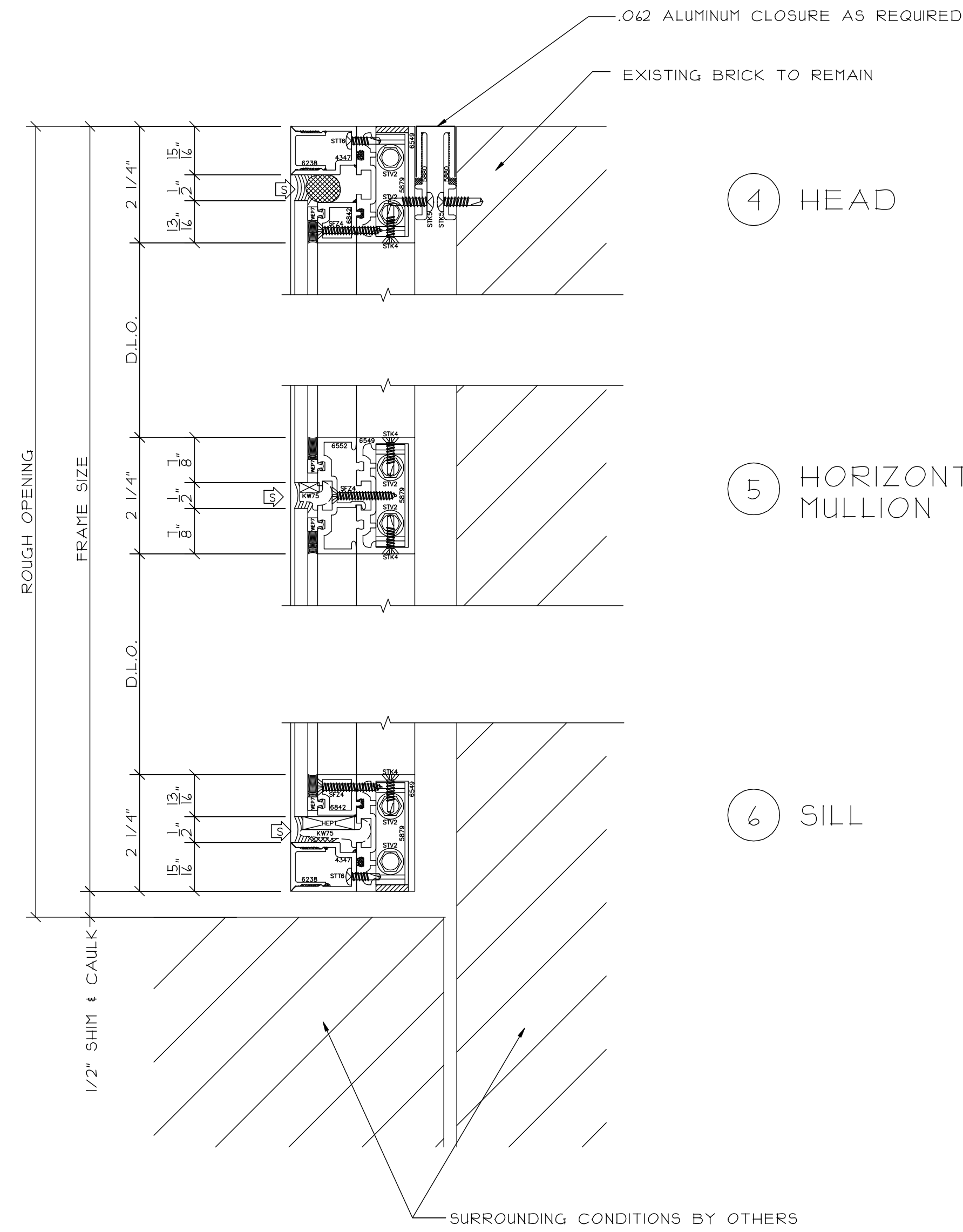
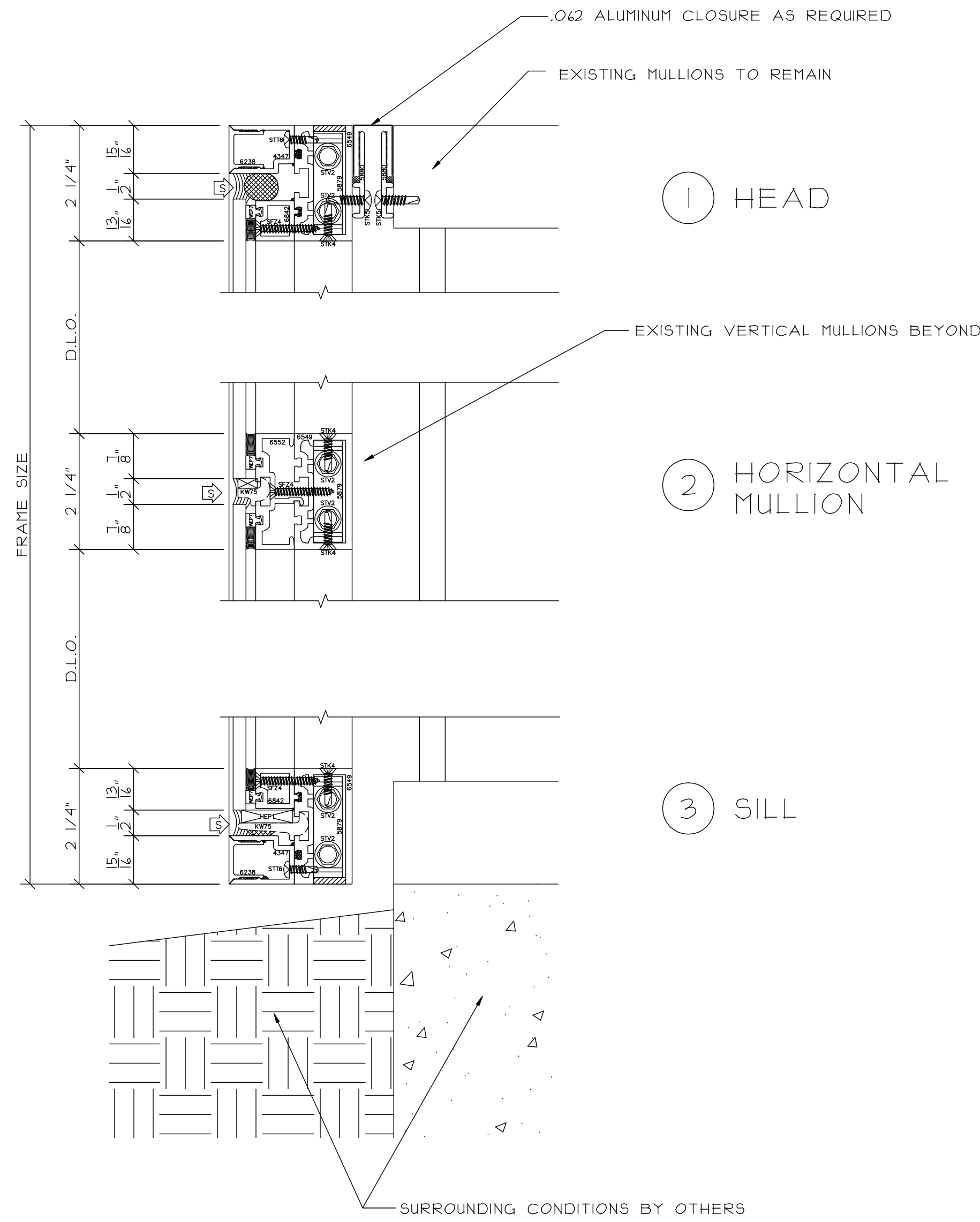
7 CURVED GLASS VERTICAL MULLION



PROJECT:	SAMPLE SAMPLE SAMPLE
LOCATION:	SAMPLE SAMPLE SAMPLE
SCALE:	6" = 1'-0"
DATE:	SAMPLE
DRAWN:	SAMPLE
PAGE:	22
ARCHITECT:	SAMPLE SAMPLE SAMPLE SAMPLE SAMPLE SAMPLE SAMPLE SAMPLE SAMPLE SAMPLE SAMPLE SAMPLE SAMPLE SAMPLE SAMPLE
GLAZING CONTRACTOR:	SAMPLE SAMPLE SAMPLE SAMPLE SAMPLE SAMPLE SAMPLE SAMPLE SAMPLE SAMPLE SAMPLE SAMPLE SAMPLE SAMPLE SAMPLE
REVISIONS:	
DATE:	



PROJECT:	SAMPLE SAMPLE SAMPLE
LOCATION:	SAMPLE SAMPLE SAMPLE
SCALE:	6" = 1'-0"
DATE:	SAMPLE
DRAWN:	SAMPLE
PAGE:	24
ARCHITECT:	SAMPLE SAMPLE SAMPLE SAMPLE SAMPLE SAMPLE SAMPLE SAMPLE SAMPLE SAMPLE SAMPLE SAMPLE
GLAZING CONTRACTOR:	SAMPLE SAMPLE SAMPLE SAMPLE SAMPLE SAMPLE SAMPLE SAMPLE SAMPLE SAMPLE SAMPLE SAMPLE
REVISIONS:	
DATE:	



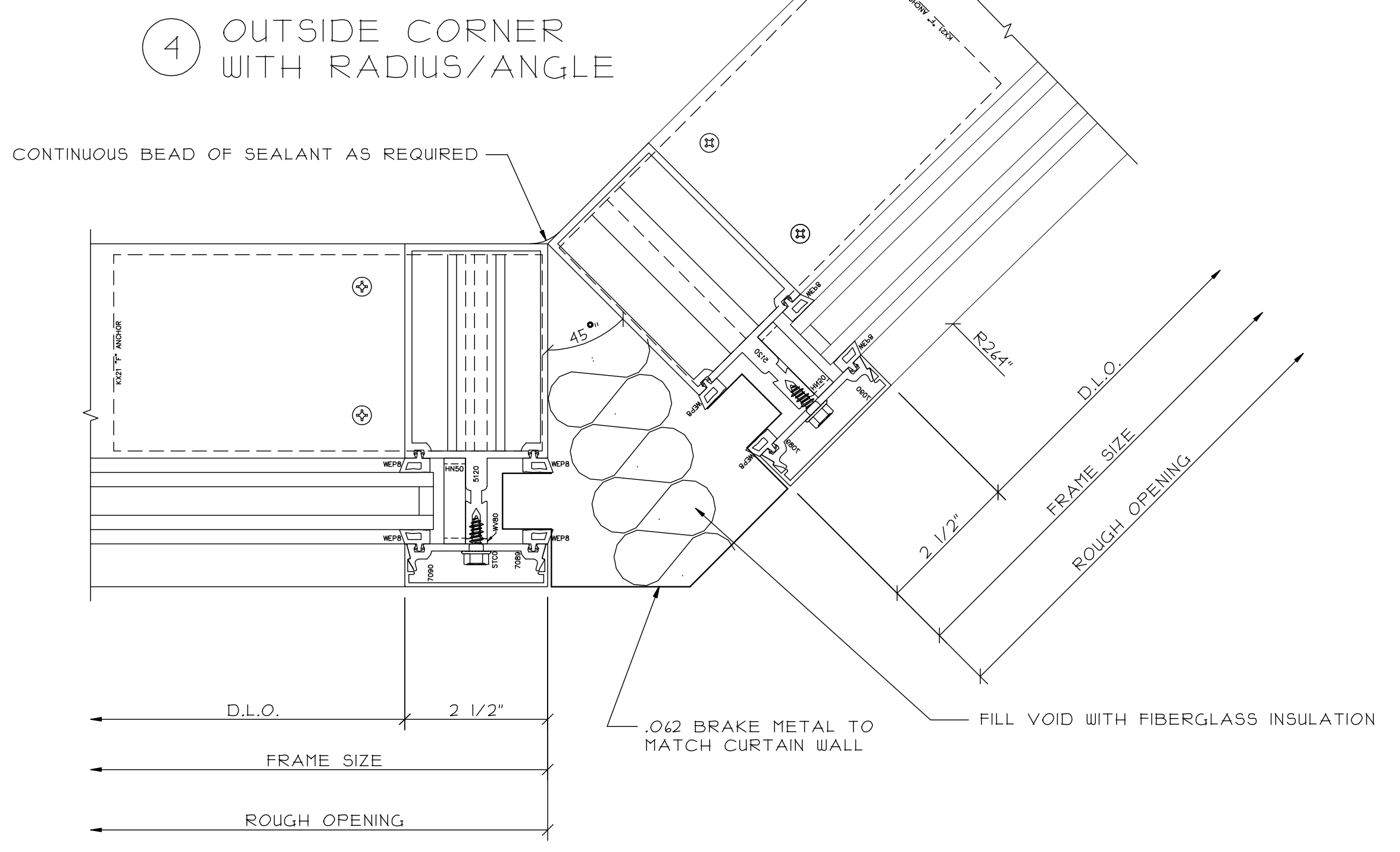
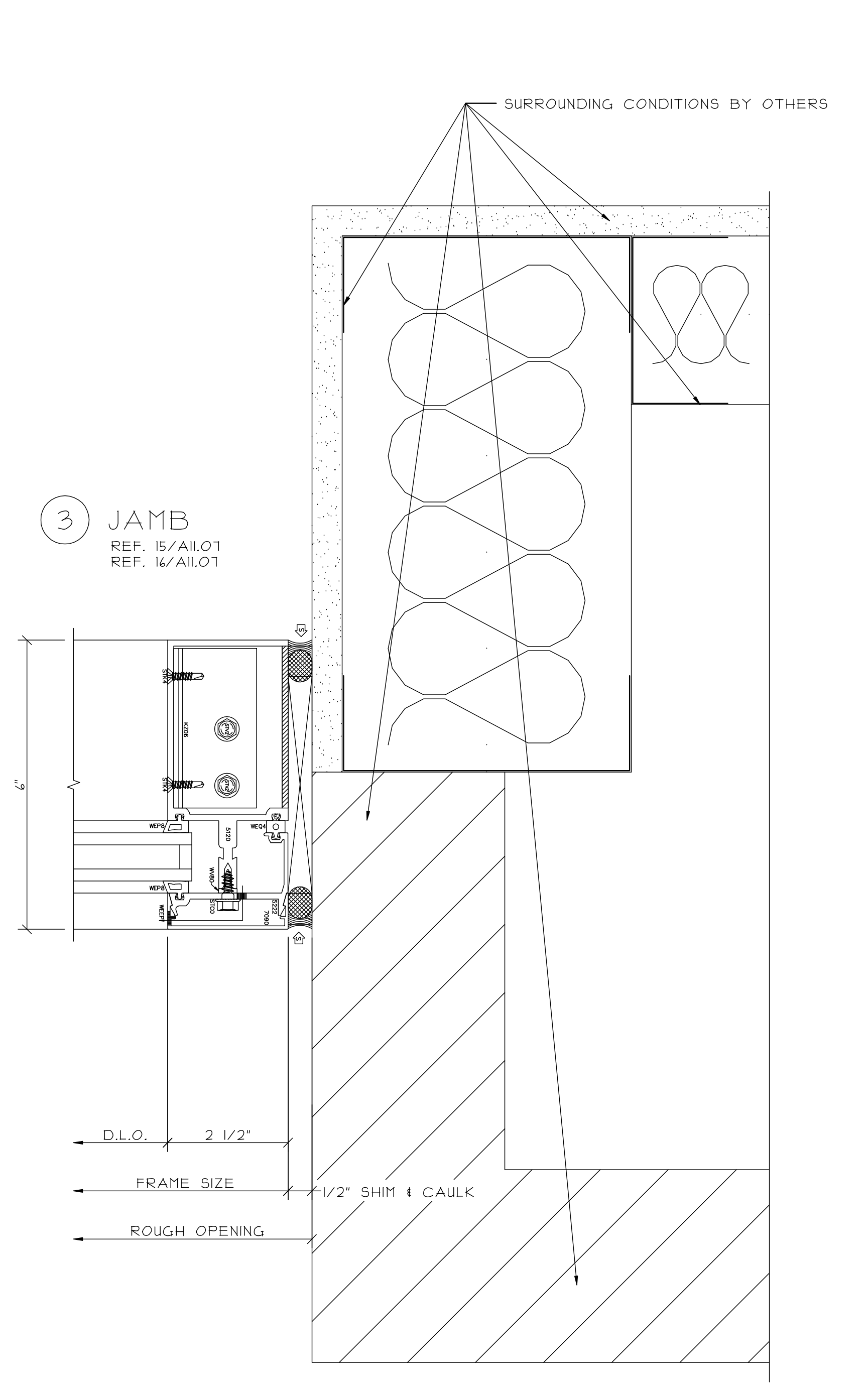
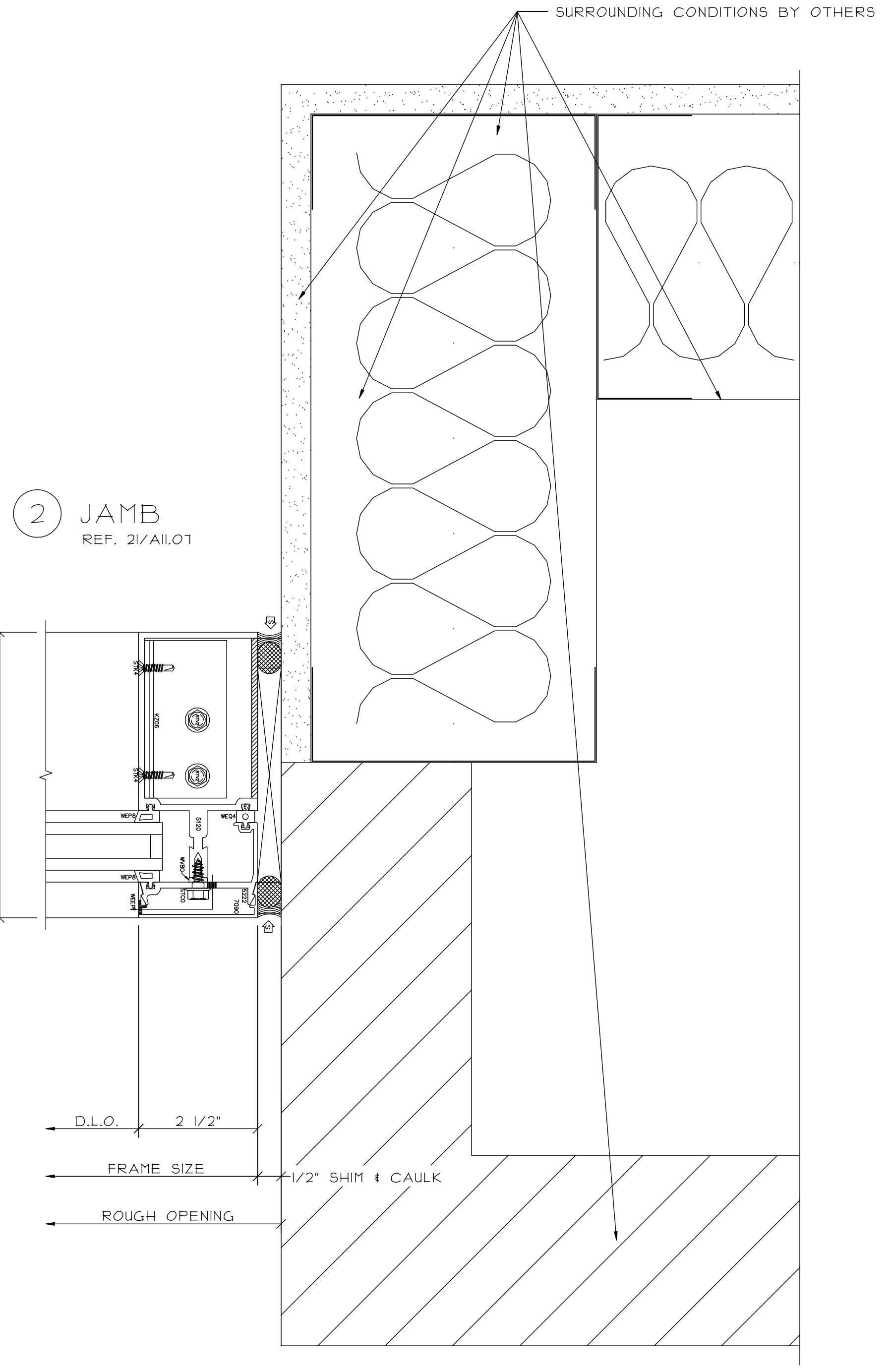
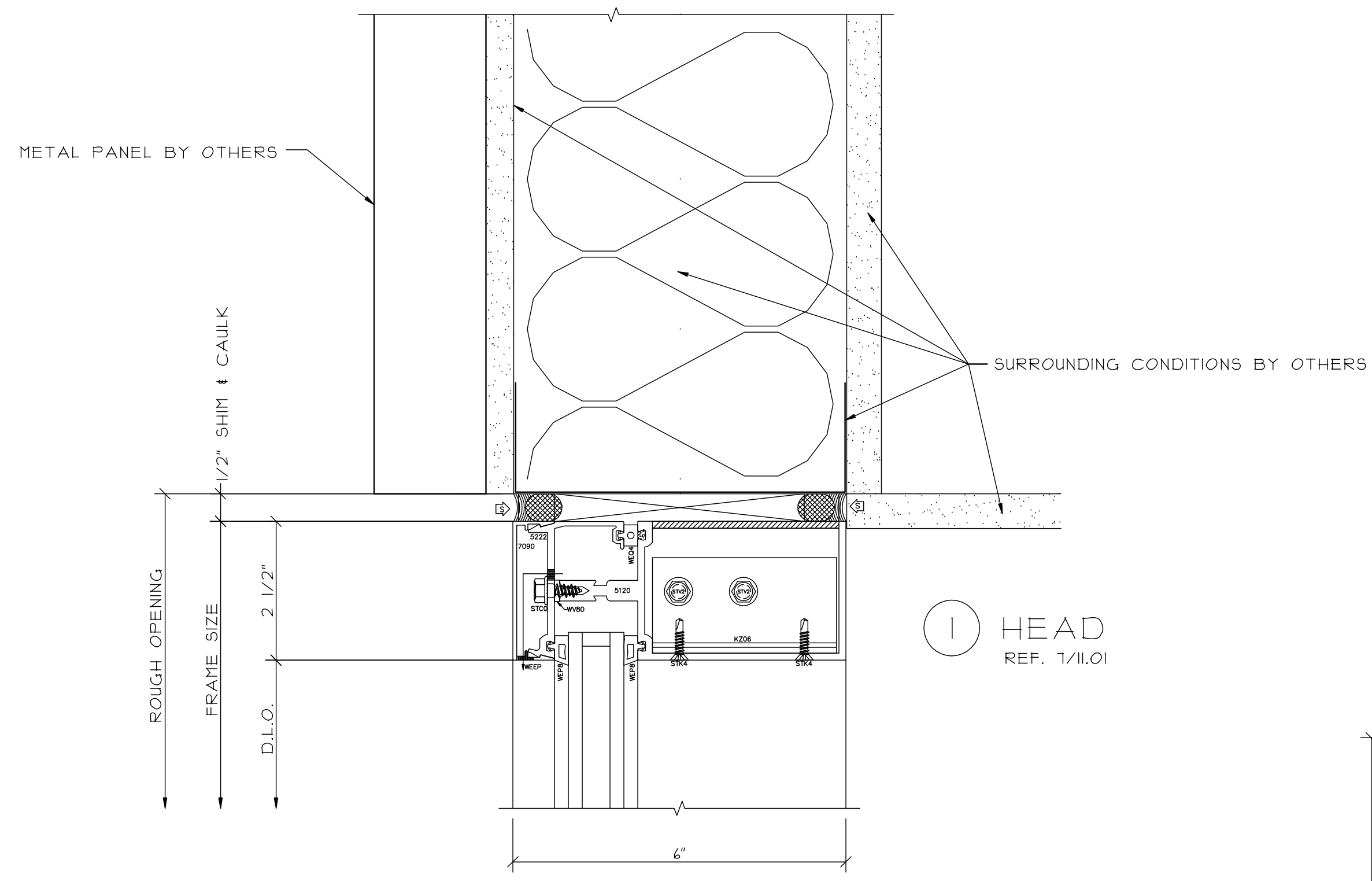
REVISIONS:	DATE:

GLAZING CONTRACTOR:	SAMPLE SAMPLE SAMPLE
	SAMPLE SAMPLE SAMPLE
	SAMPLE SAMPLE SAMPLE
	SAMPLE SAMPLE SAMPLE

ARCHITECT:	SAMPLE SAMPLE SAMPLE
	SAMPLE SAMPLE SAMPLE
	SAMPLE SAMPLE SAMPLE
	SAMPLE SAMPLE SAMPLE

PROJECT:	SAMPLE SAMPLE SAMPLE
LOCATION:	SAMPLE SAMPLE SAMPLE

SCALE:	6" = 1'-0"
DATE:	SAMPLE
DRAWN:	SAMPLE
PAGE:	25



REVISIONS:

DATE:

GLAZING CONTRACTOR:
 SAMPLE SAMPLE SAMPLE
 SAMPLE SAMPLE SAMPLE
 SAMPLE SAMPLE SAMPLE
 SAMPLE SAMPLE SAMPLE
 SAMPLE SAMPLE SAMPLE

ARCHITECT:
 SAMPLE SAMPLE SAMPLE
 SAMPLE SAMPLE SAMPLE
 SAMPLE SAMPLE SAMPLE
 SAMPLE SAMPLE SAMPLE
 SAMPLE SAMPLE SAMPLE

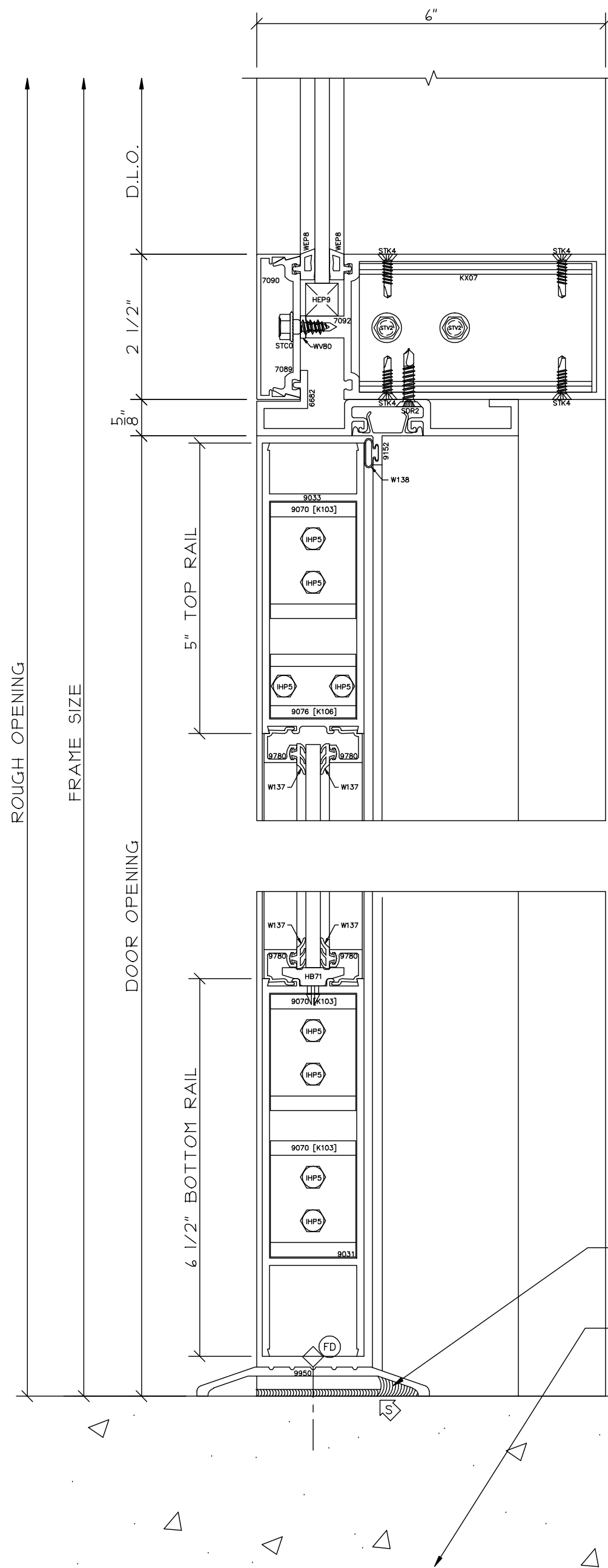
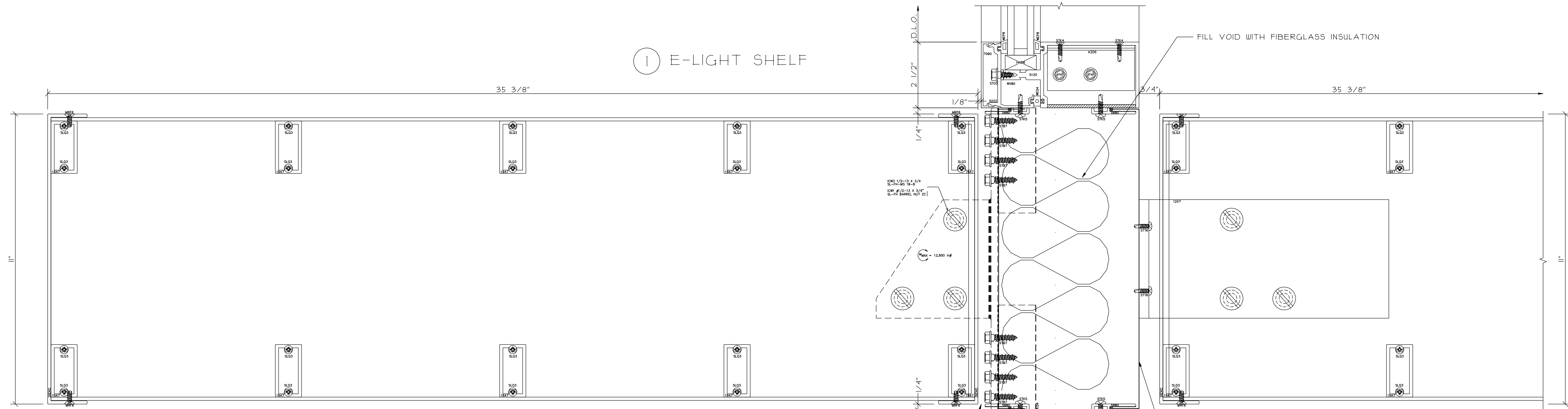
PROJECT: SAMPLE SAMPLE SAMPLE
 LOCATION: SAMPLE SAMPLE SAMPLE

SCALE:
 6" = 1'-0"

DATE:
 SAMPLE

DRAWN:
 SAMPLE

PAGE:
 26

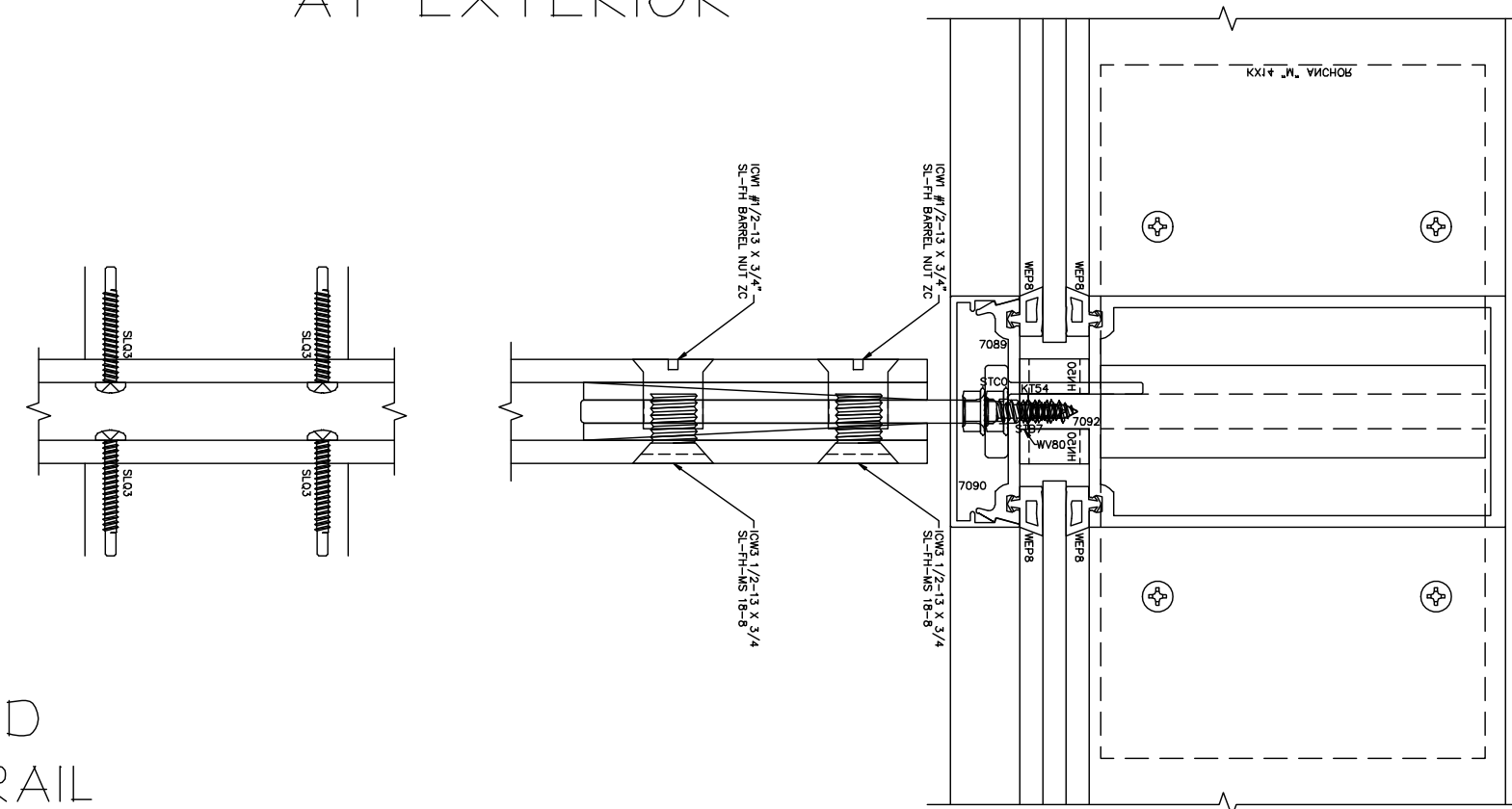


2 TRANSOM AND DOOR TOP RAIL

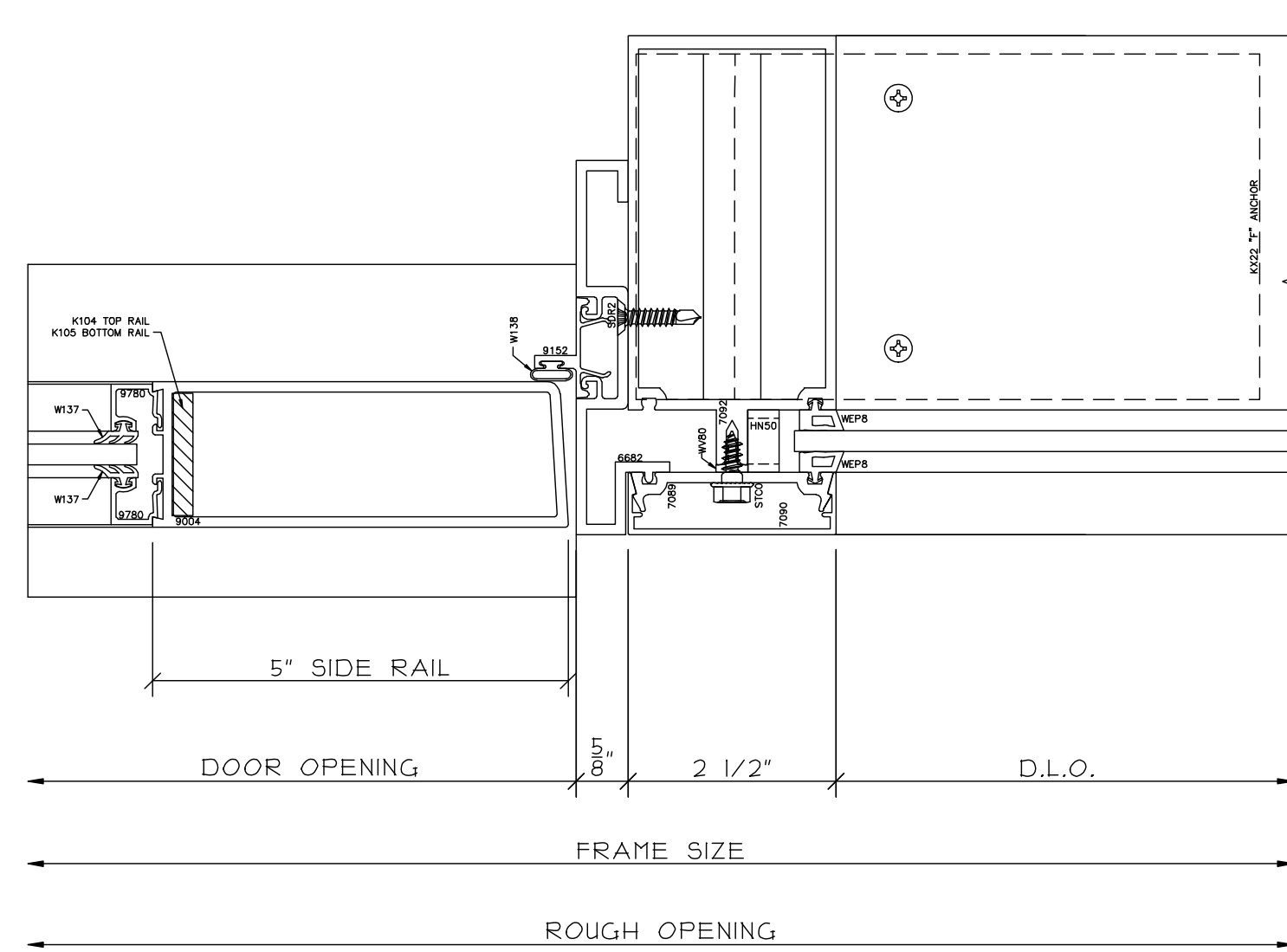
3 BOTTOM RAIL

BED ALL THRESHOLDS IN CONTINUOUS SEALANT
SURROUNDING CONDITIONS BY OTHERS

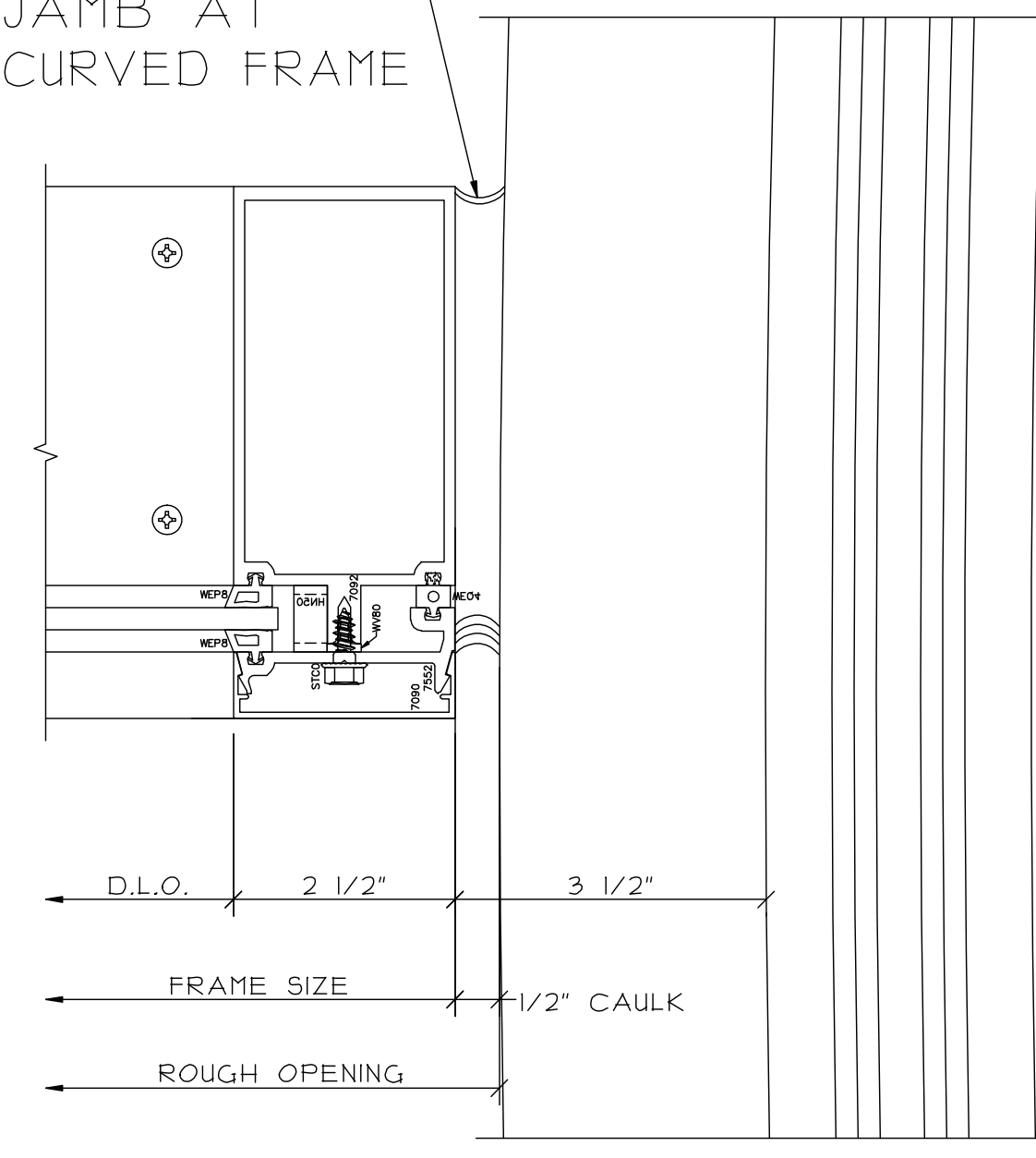
1A OUT RIGGER ATTACHED TO VERTICAL MULLION AT EXTERIOR



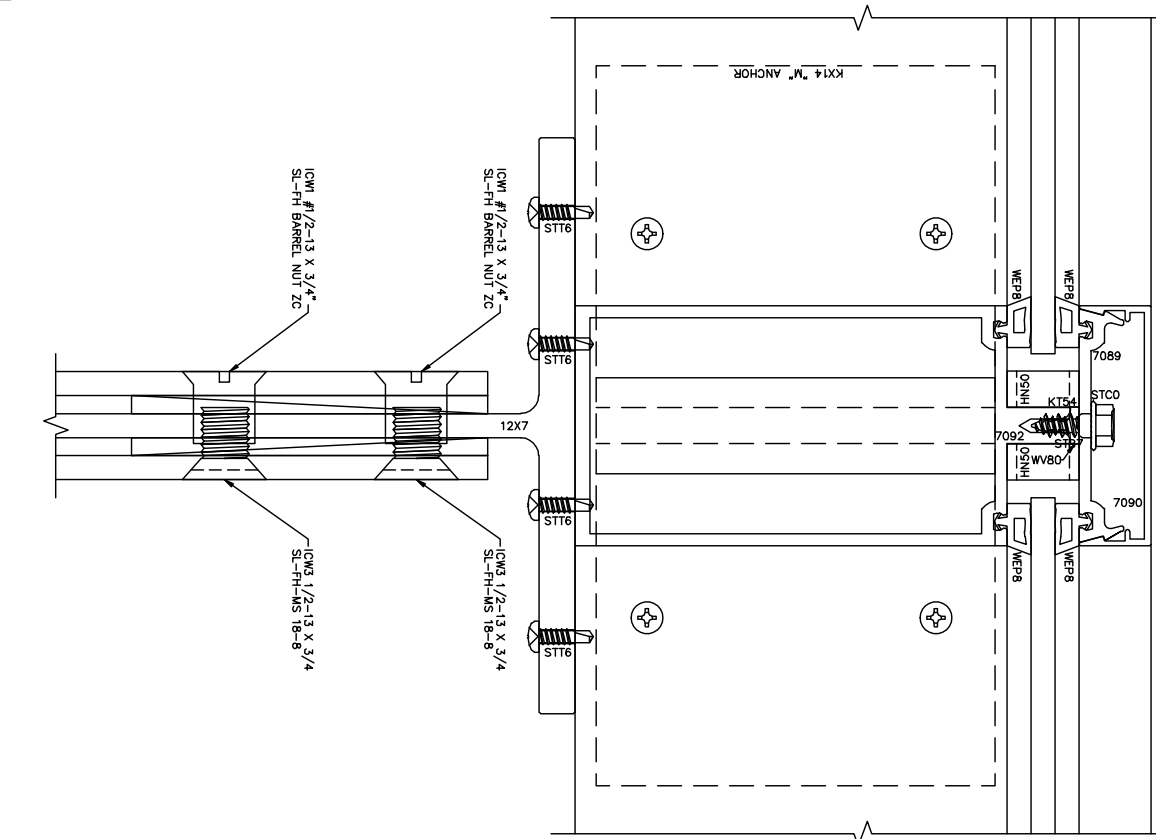
4 DOOR JAMB WITH SIDELIGHT



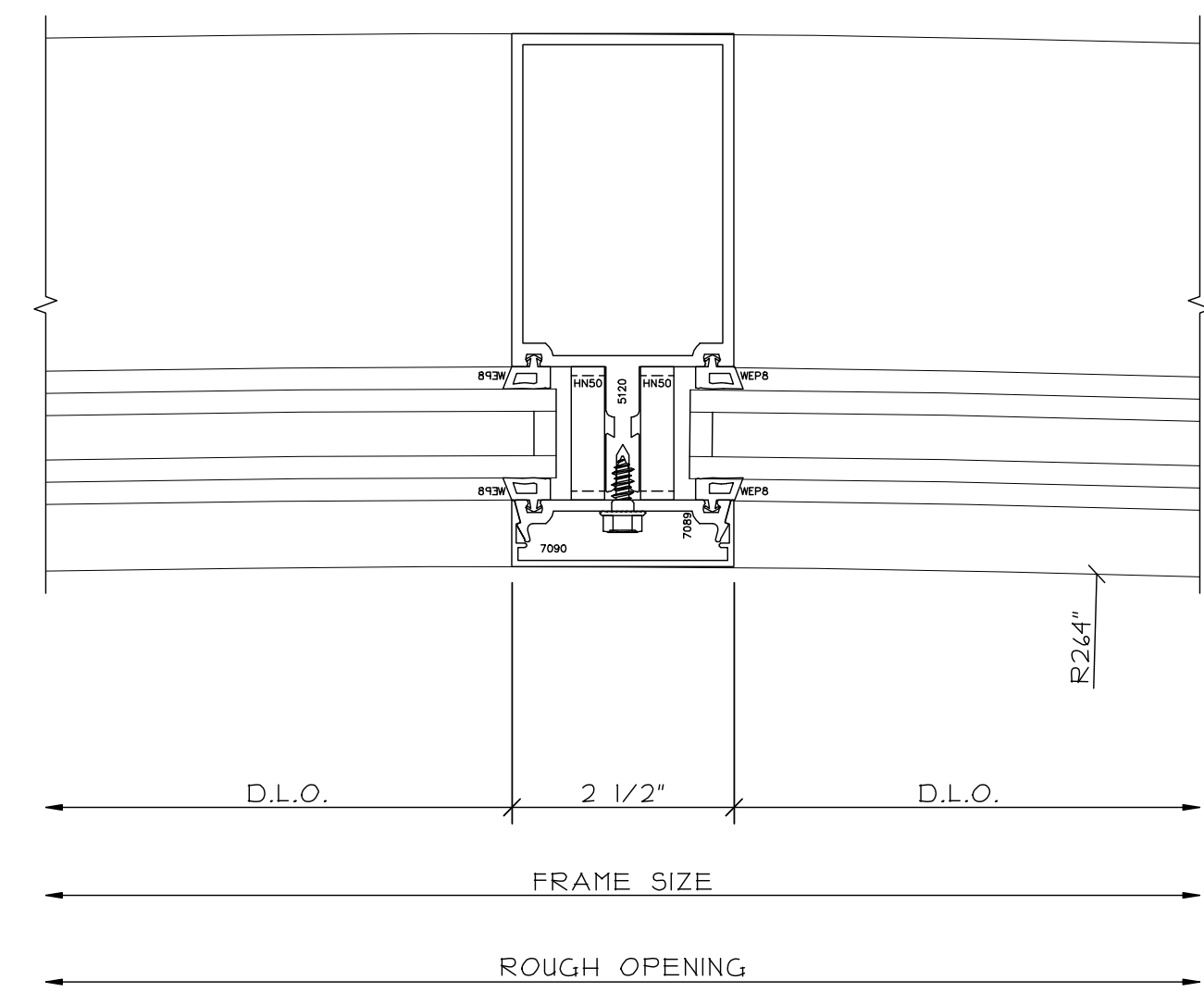
5 JAMB AT CURVED FRAME



1B OUT RIGGER ATTACHED TO VERTICAL MULLION AT INTERIOR

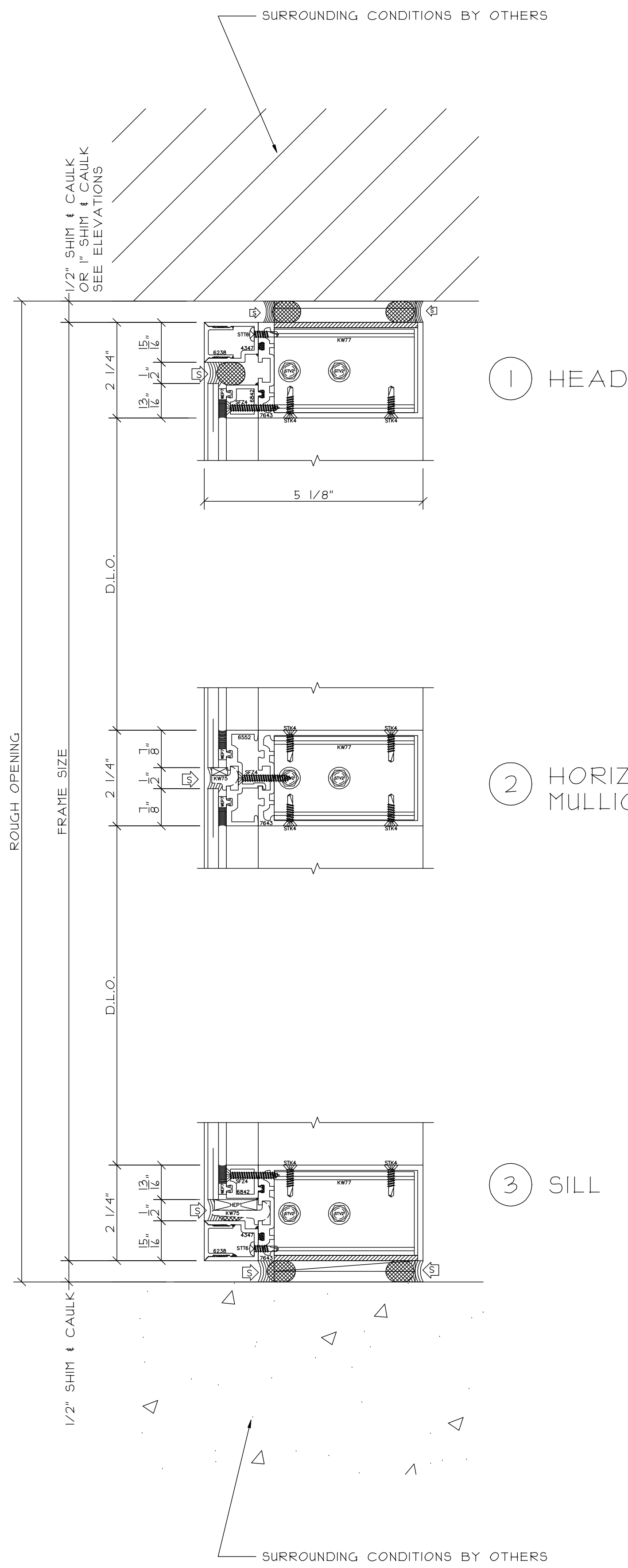


6 CURVED GLASS VERTICAL MULLION



ARCHITECT PLEASE VERIFY CLOSURE

PROJECT:	SAMPLE SAMPLE SAMPLE
LOCATION:	SAMPLE SAMPLE SAMPLE
SCALE:	6" = 1'-0"
DATE:	SAMPLE
DRAWN:	SAMPLE
PAGE:	21
GLAZING CONTRACTOR:	SAMPLE SAMPLE SAMPLE SAMPLE SAMPLE SAMPLE SAMPLE SAMPLE SAMPLE SAMPLE SAMPLE SAMPLE SAMPLE SAMPLE SAMPLE
ARCHITECT:	SAMPLE SAMPLE SAMPLE SAMPLE SAMPLE SAMPLE SAMPLE SAMPLE SAMPLE SAMPLE SAMPLE SAMPLE
REVISIONS:	
DATE:	

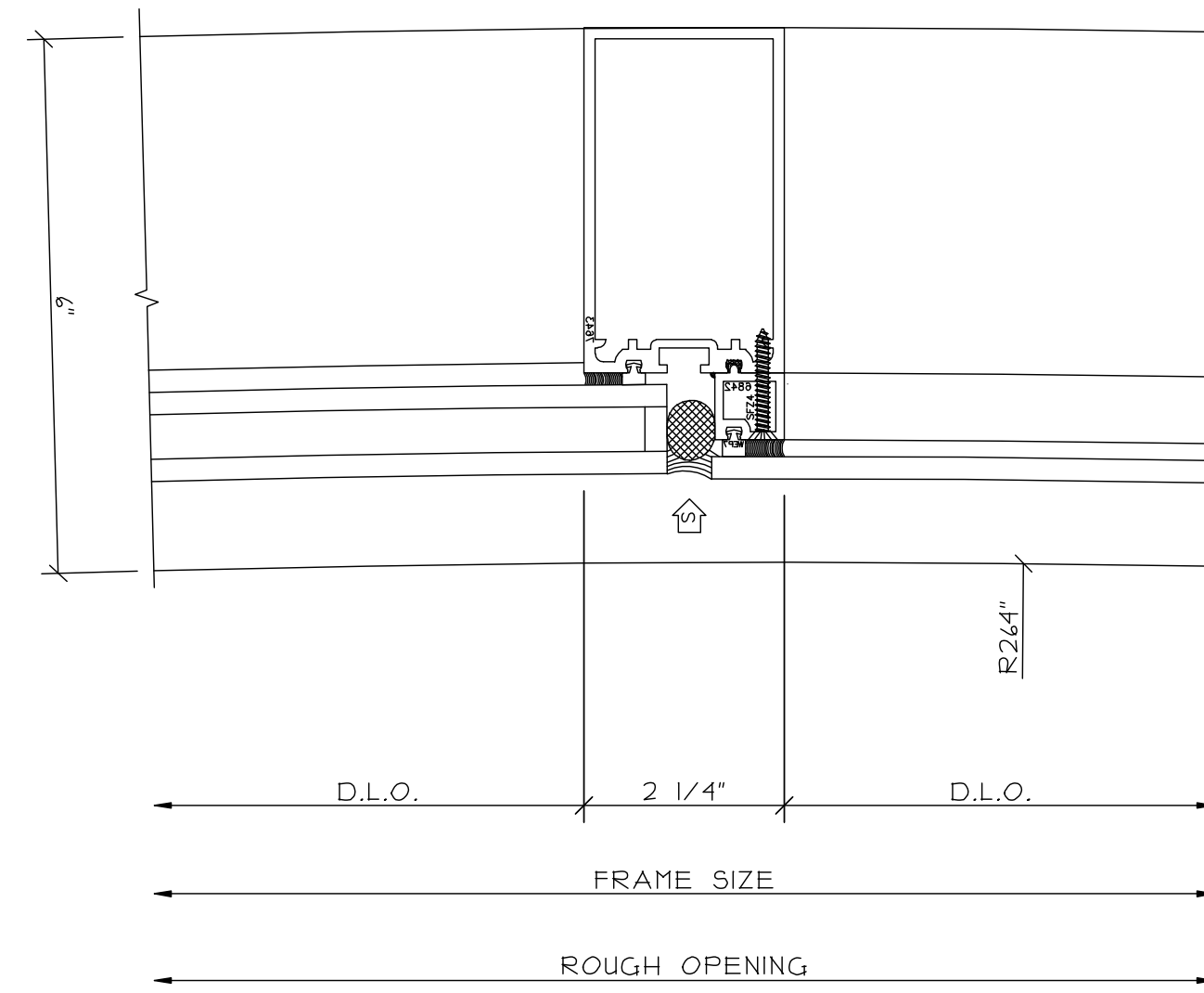


① HEAD

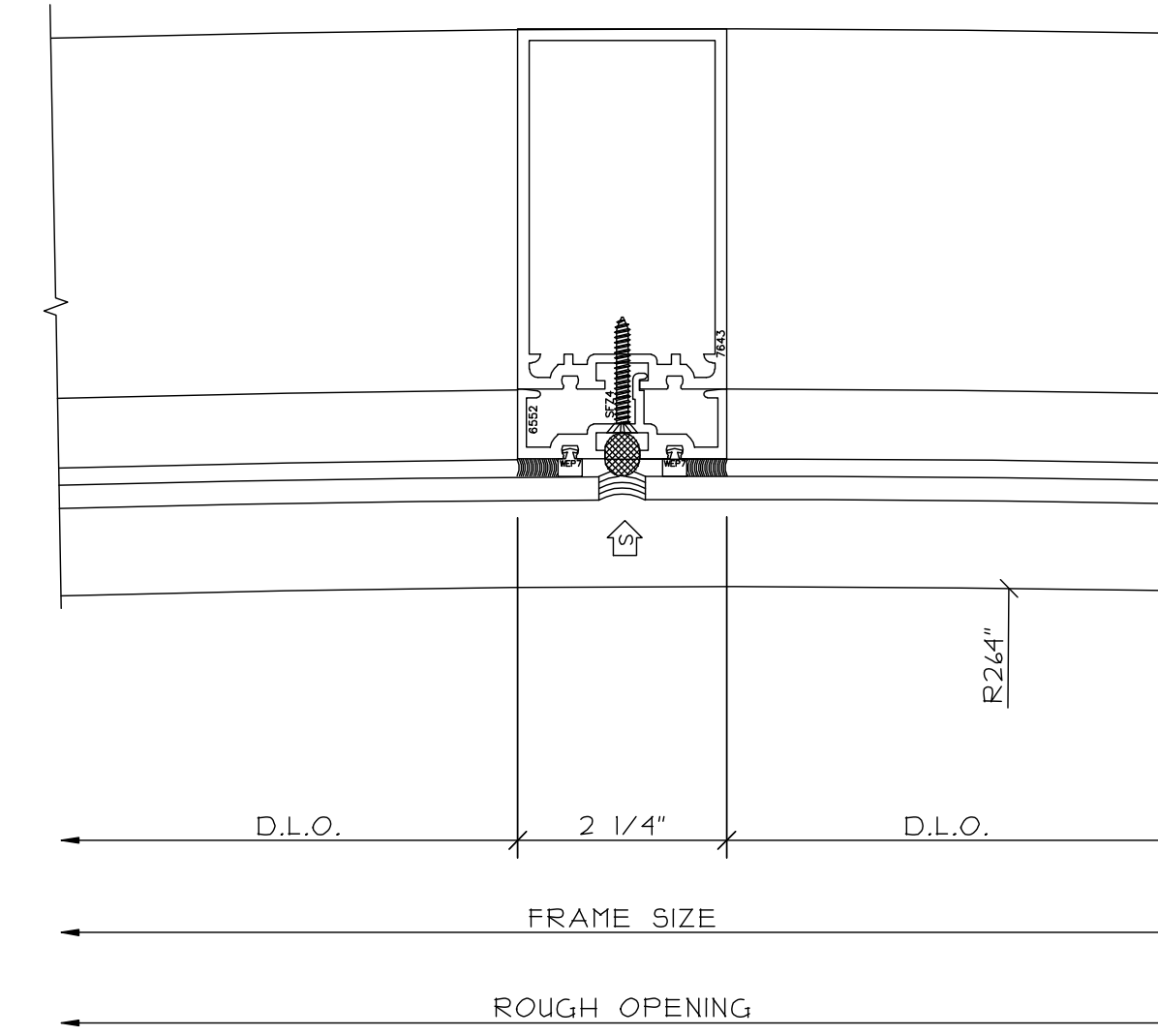
② HORIZONTAL MULLION

③ SILL

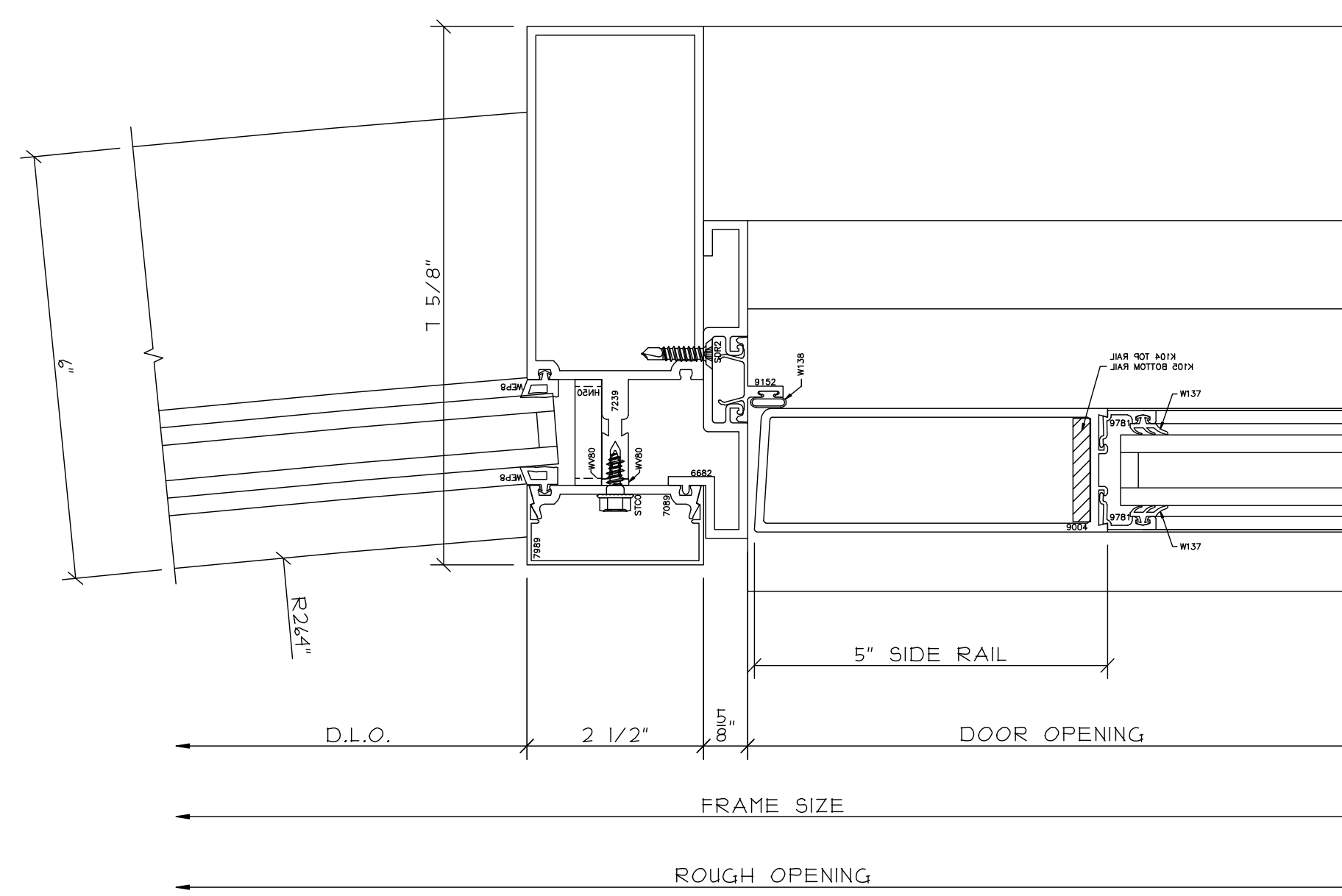
④ CURVED GLASS TRANSITIONAL VERTICAL MULLION



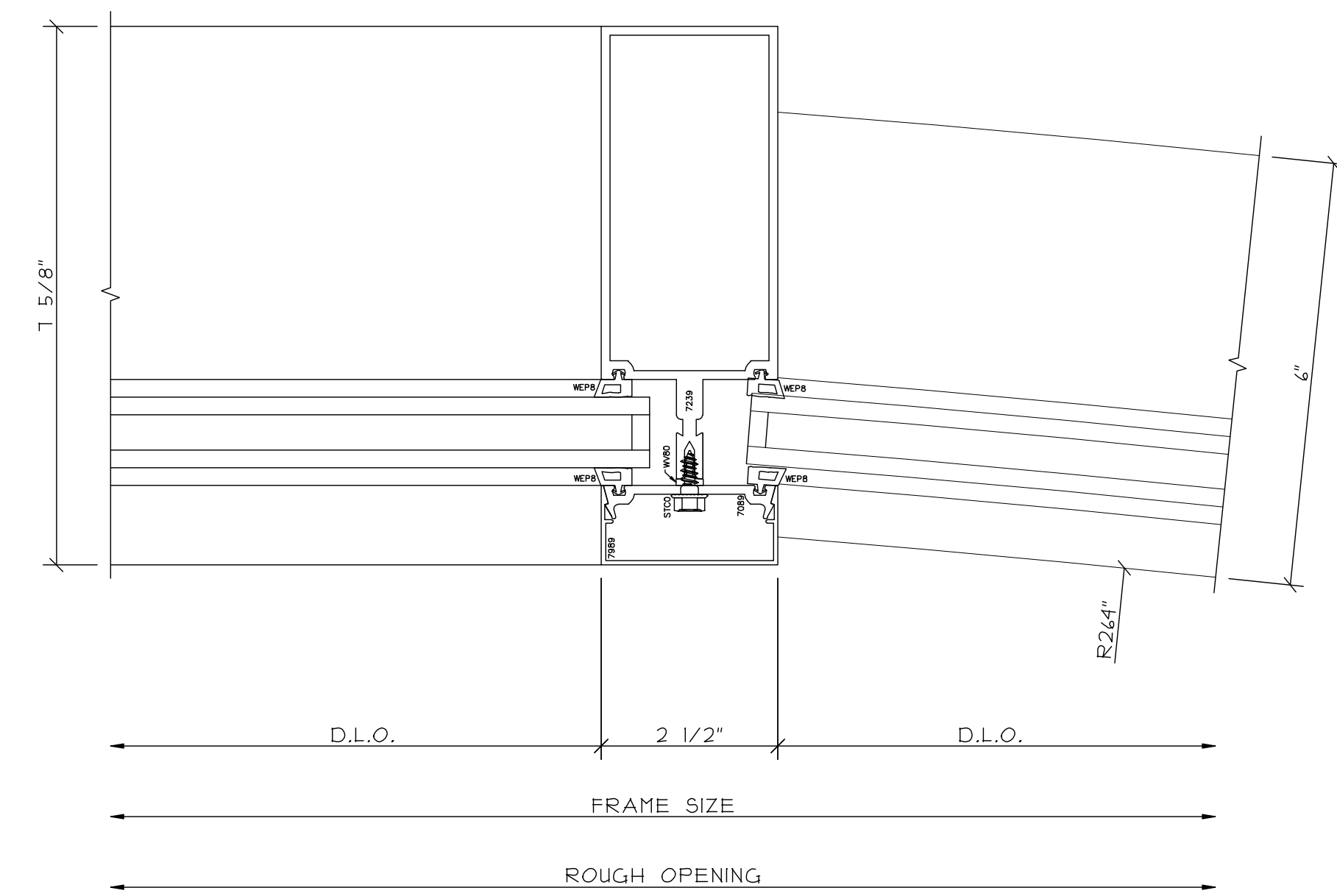
⑤ CURVED GLASS SSG VERTICAL MULLION



⑥ DOOR JAMB WITH DEEP VERTICAL MULLION AND CURVED GLASS SIDELIGHT



⑦ DEEP VERTICAL MULLION W/ STRAIGHT & CURVED GLASS



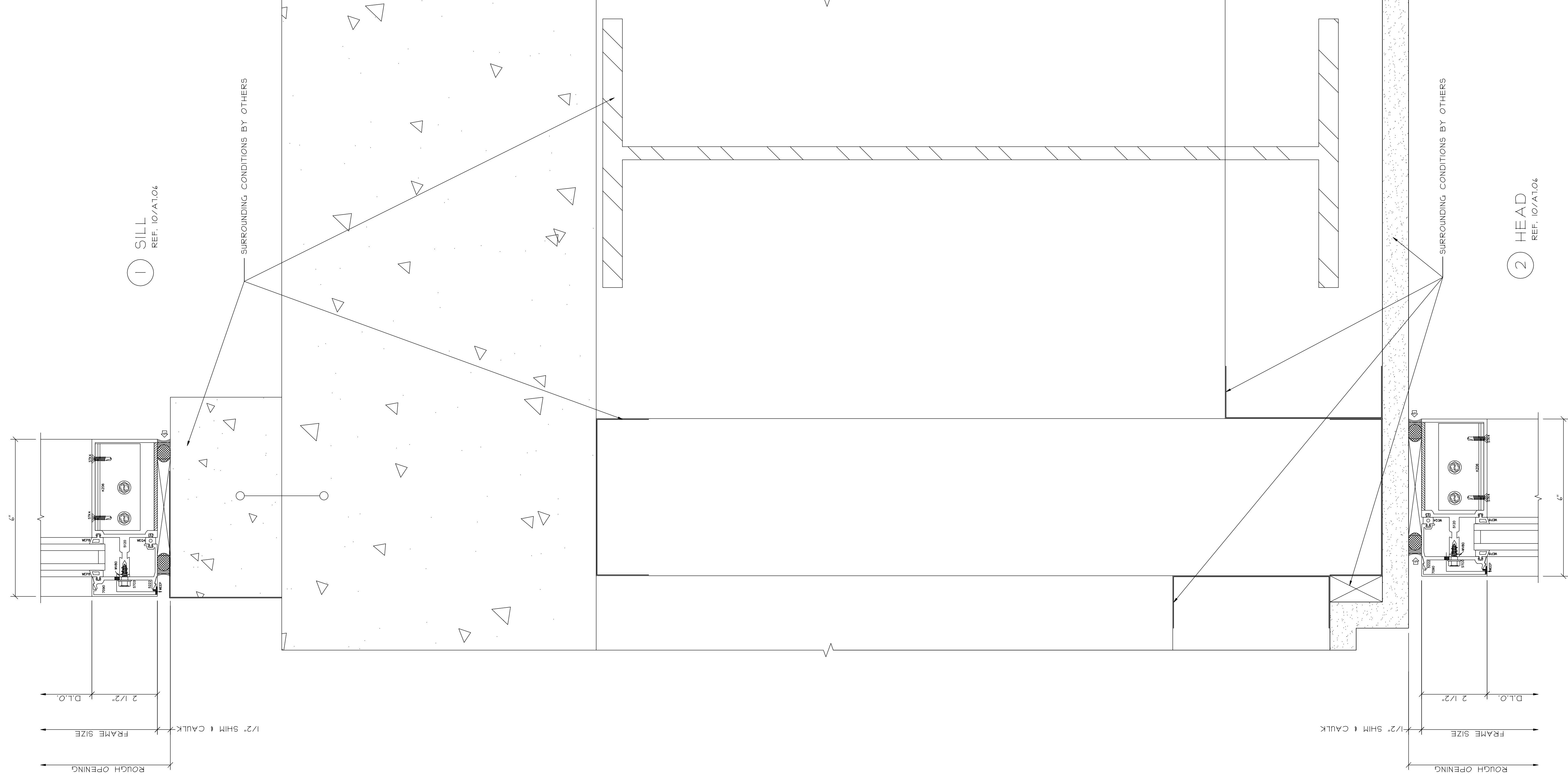
REVISIONS:	DATE:

GLAZING CONTRACTOR:	SAMPLE	SAMPLE	SAMPLE
	SAMPLE	SAMPLE	SAMPLE
	SAMPLE	SAMPLE	SAMPLE
	SAMPLE	SAMPLE	SAMPLE

ARCHITECT:	SAMPLE	SAMPLE	SAMPLE
	SAMPLE	SAMPLE	SAMPLE
	SAMPLE	SAMPLE	SAMPLE
	SAMPLE	SAMPLE	SAMPLE

PROJECT:	SAMPLE	SAMPLE	SAMPLE
LOCATION:	SAMPLE	SAMPLE	SAMPLE

SCALE:	6" = 1'-0"
DATE:	SAMPLE
DRAWN:	SAMPLE
PAGE:	28



1 SILL
REF. 10/A1.06

2 HEAD
REF. 10/A1.06

SURROUNDING CONDITIONS BY OTHERS

SURROUNDING CONDITIONS BY OTHERS

PAGE:
29

DRAWN:
SAMPLE

DATE:
SAMPLE

SCALE:
1/8" = 1'-0"

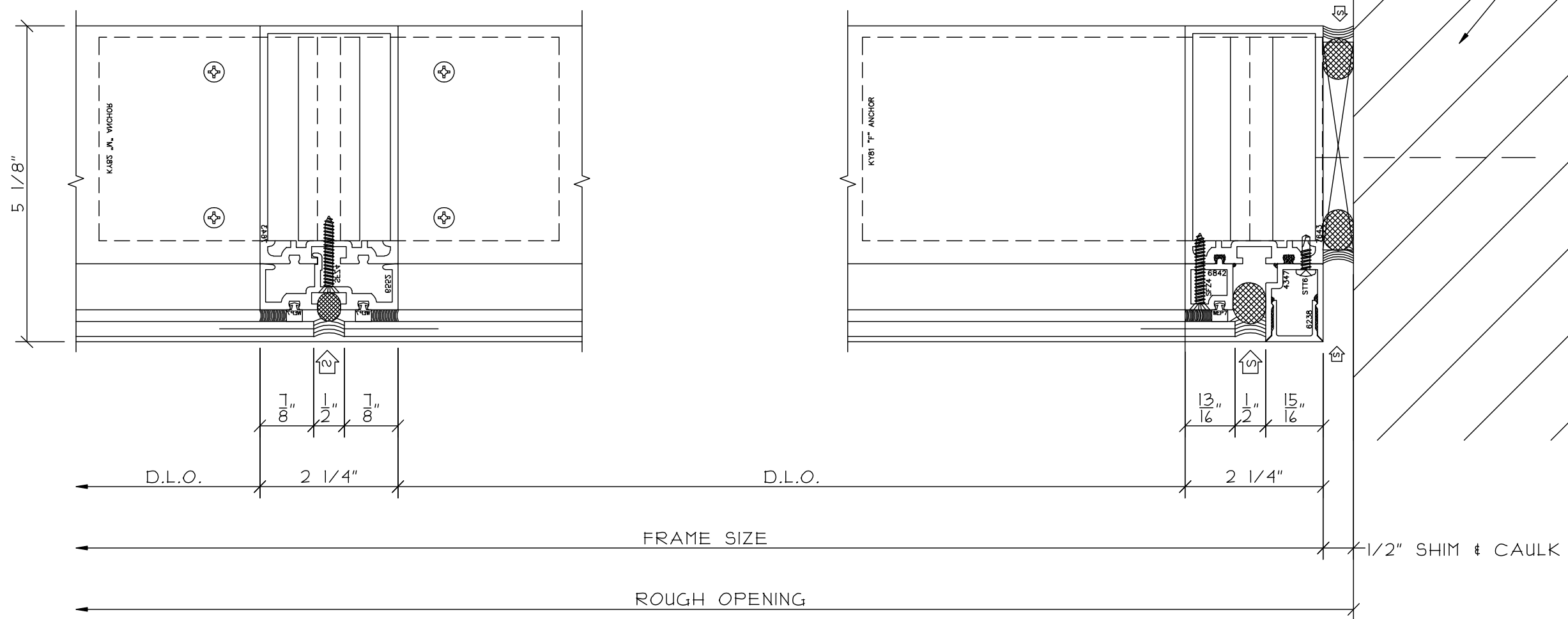
PROJECT: SAMPLE SAMPLE SAMPLE
LOCATION: SAMPLE SAMPLE SAMPLE

ARCHITECT:
SAMPLE SAMPLE SAMPLE
SAMPLE SAMPLE SAMPLE
SAMPLE SAMPLE SAMPLE
SAMPLE SAMPLE SAMPLE

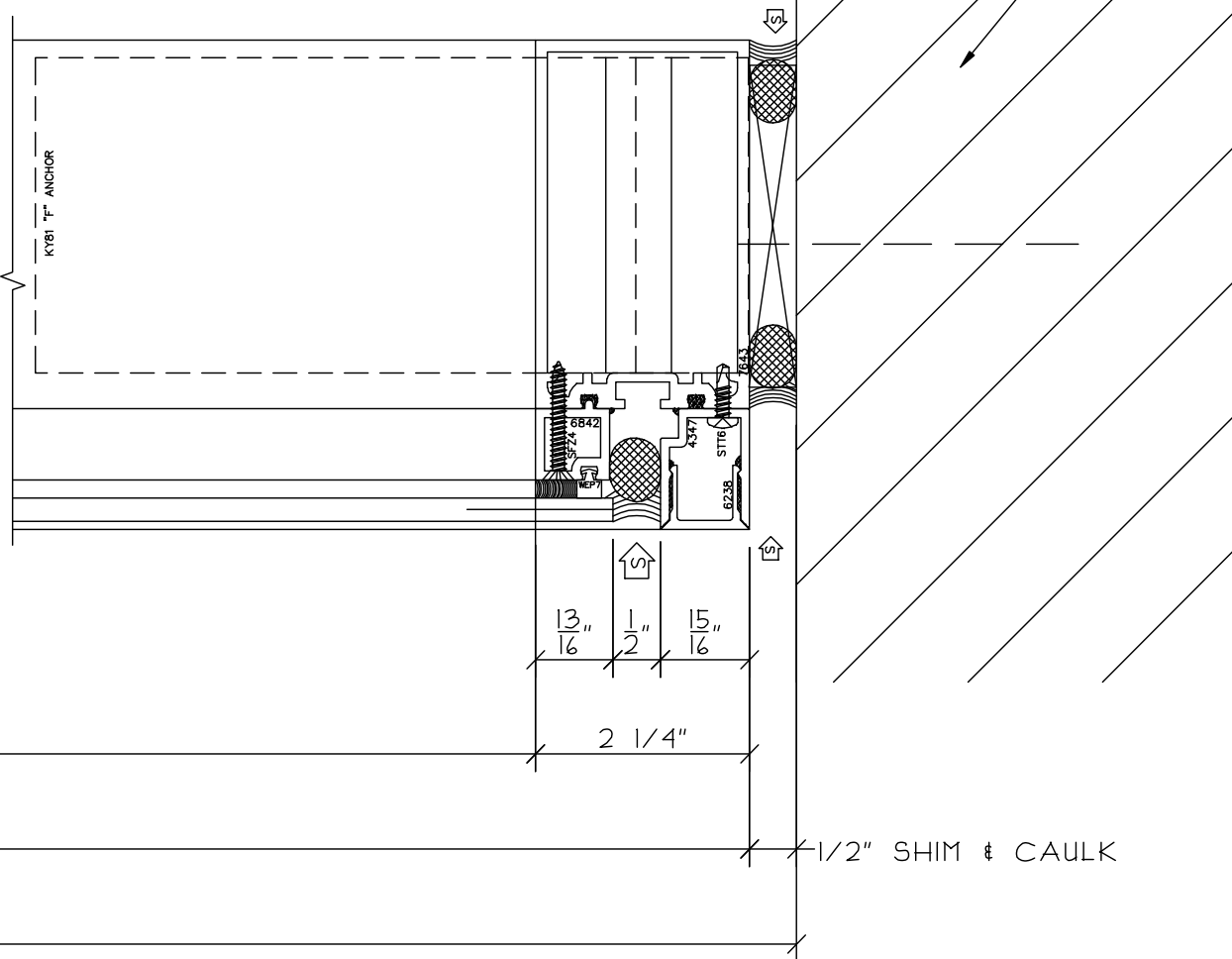
GLAZING CONTRACTOR:
SAMPLE SAMPLE SAMPLE
SAMPLE SAMPLE SAMPLE
SAMPLE SAMPLE SAMPLE
SAMPLE SAMPLE SAMPLE

REVISIONS:	DATE:

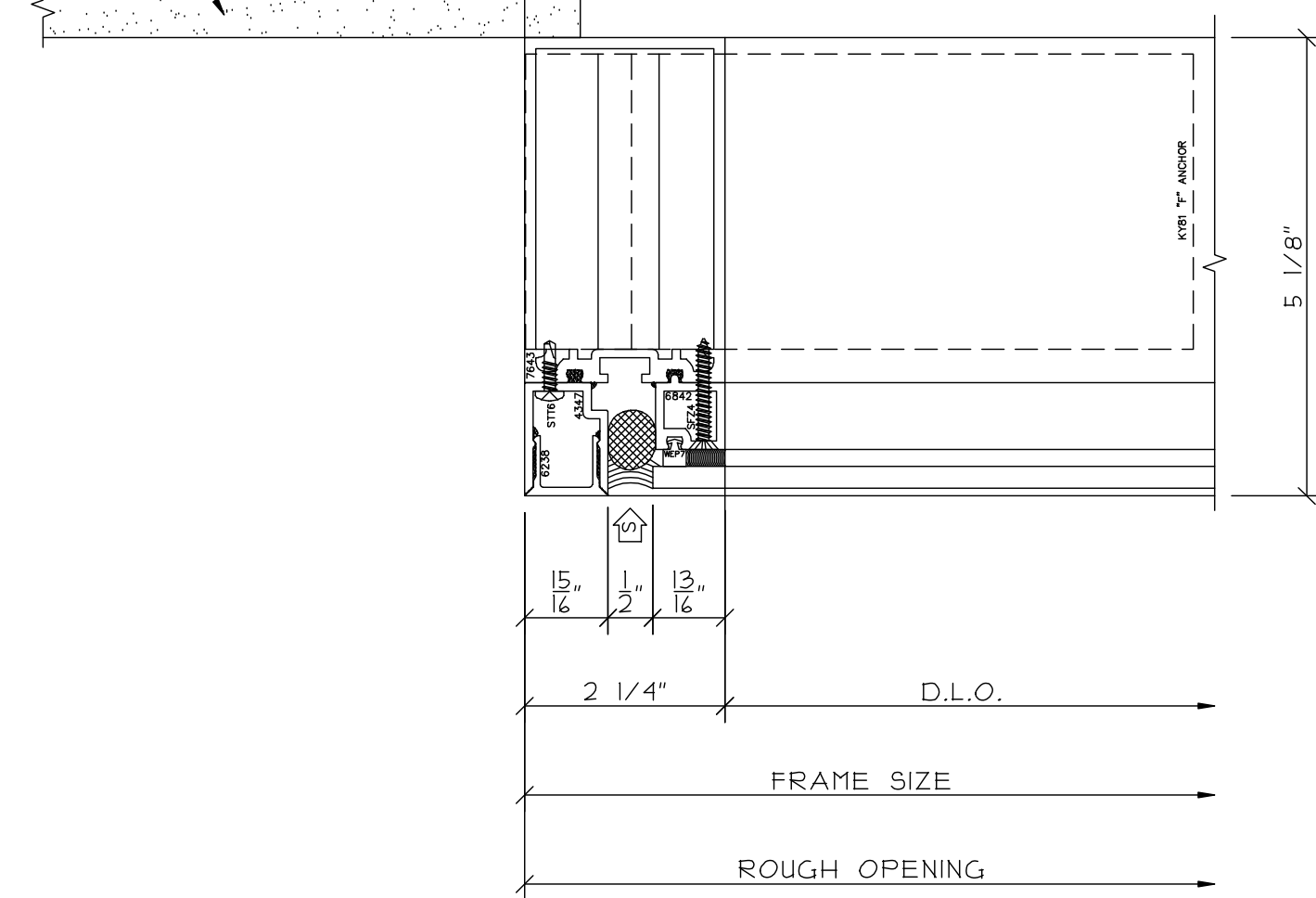
① VERTICAL MULLION



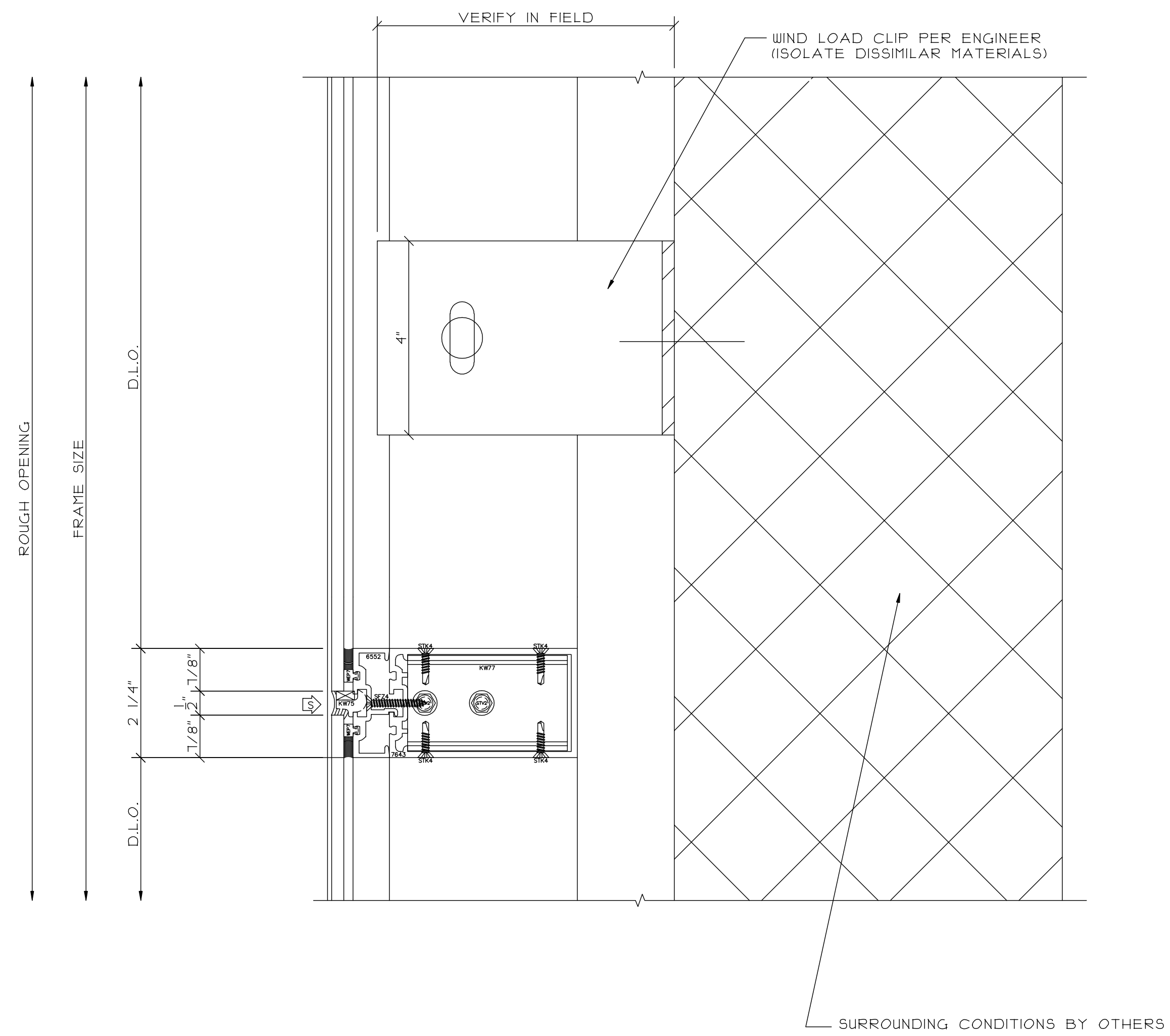
② JAMB



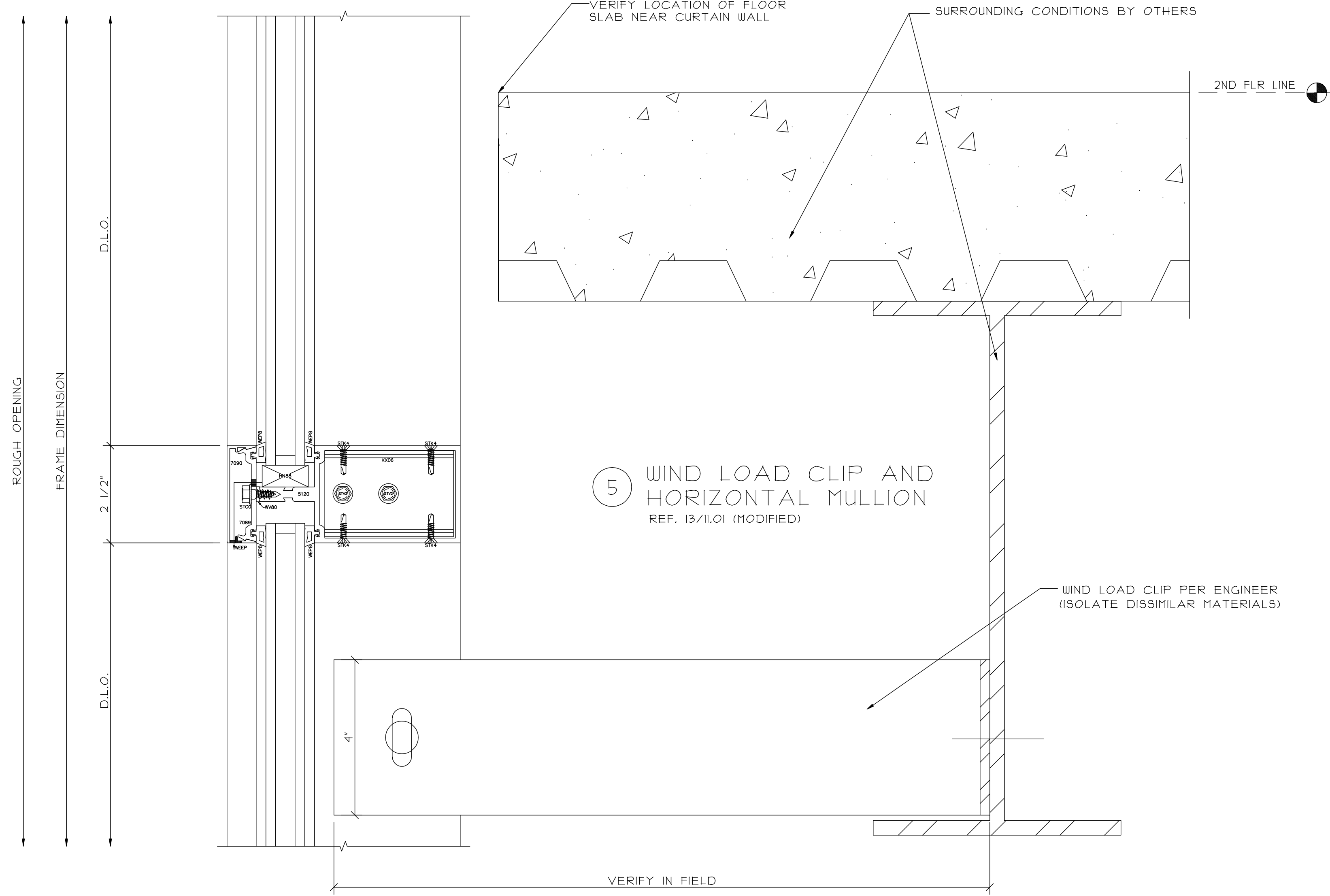
③ JAMB



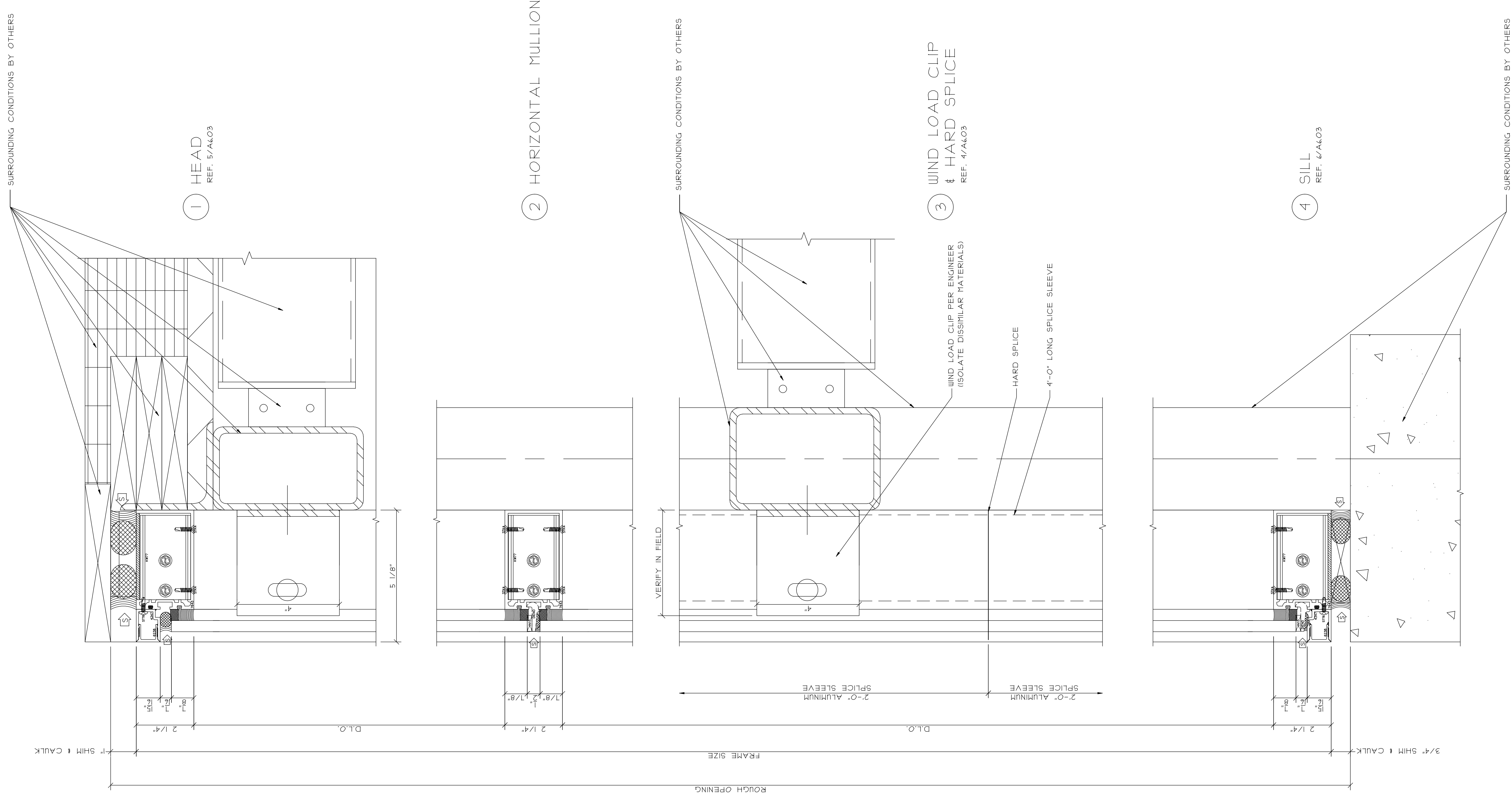
④ HORIZONTAL MULLION W/ WIND LOAD CLIP



⑤ WIND LOAD CLIP AND HORIZONTAL MULLION
REF. 13/11.01 (MODIFIED)



PROJECT:	SAMPLE SAMPLE SAMPLE
LOCATION:	SAMPLE SAMPLE SAMPLE
SCALE:	6" = 1'-0"
DATE:	SAMPLE
DRAWN:	SAMPLE
PAGE:	31
ARCHITECT:	SAMPLE SAMPLE SAMPLE SAMPLE SAMPLE SAMPLE SAMPLE SAMPLE SAMPLE SAMPLE SAMPLE SAMPLE
GLAZING CONTRACTOR:	SAMPLE SAMPLE SAMPLE SAMPLE SAMPLE SAMPLE SAMPLE SAMPLE SAMPLE SAMPLE SAMPLE SAMPLE
REVISIONS:	
DATE:	



SCALE:
1/8" = 1'-0"

DATE:
SAMPLE

DRAWN:
SAMPLE

PAGE:
32

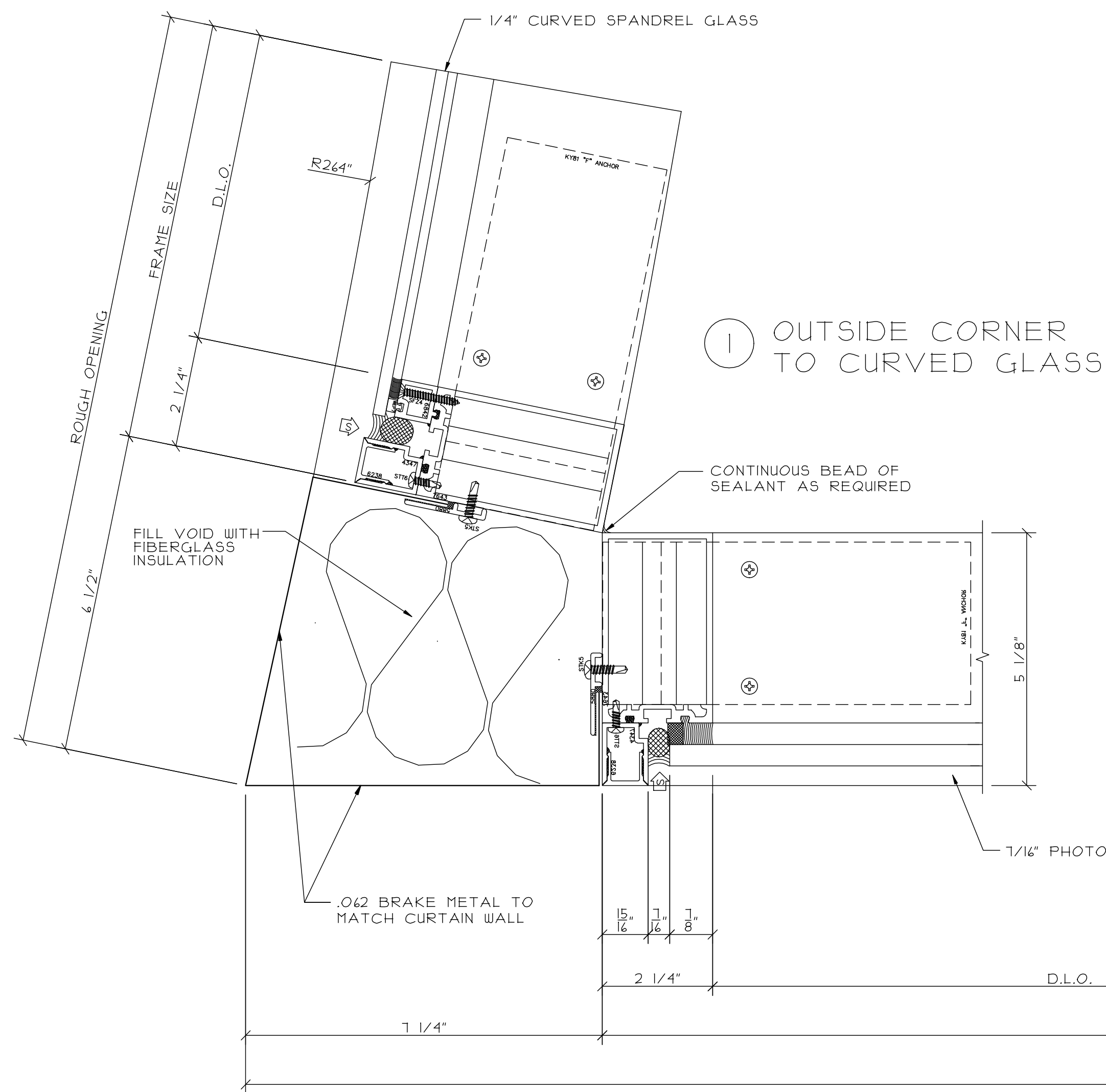
PROJECT: SAMPLE SAMPLE SAMPLE

LOCATION: SAMPLE SAMPLE SAMPLE

ARCHITECT:
SAMPLE SAMPLE SAMPLE
SAMPLE SAMPLE SAMPLE
SAMPLE SAMPLE SAMPLE
SAMPLE SAMPLE SAMPLE

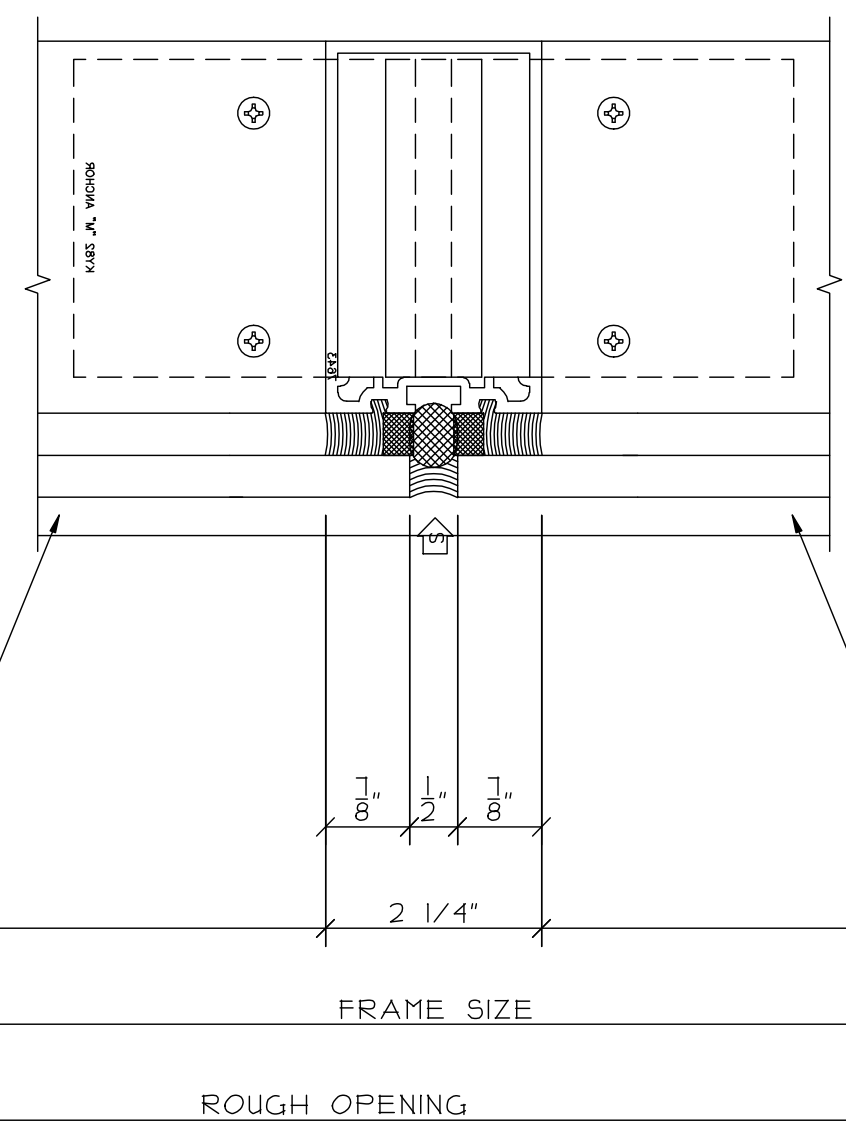
GLAZING CONTRACTOR:
SAMPLE SAMPLE SAMPLE
SAMPLE SAMPLE SAMPLE
SAMPLE SAMPLE SAMPLE
SAMPLE SAMPLE SAMPLE

REVISIONS:	DATE:

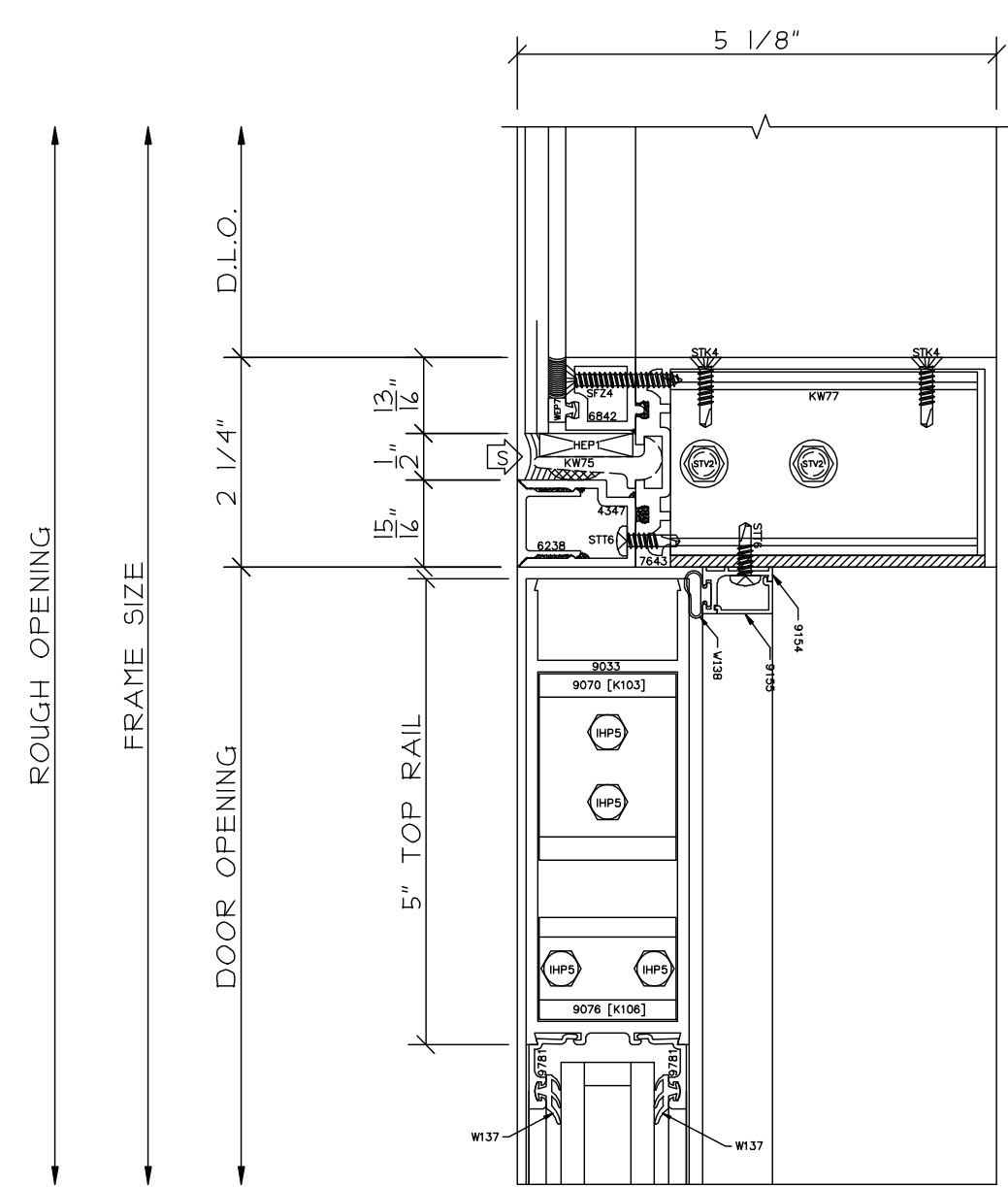
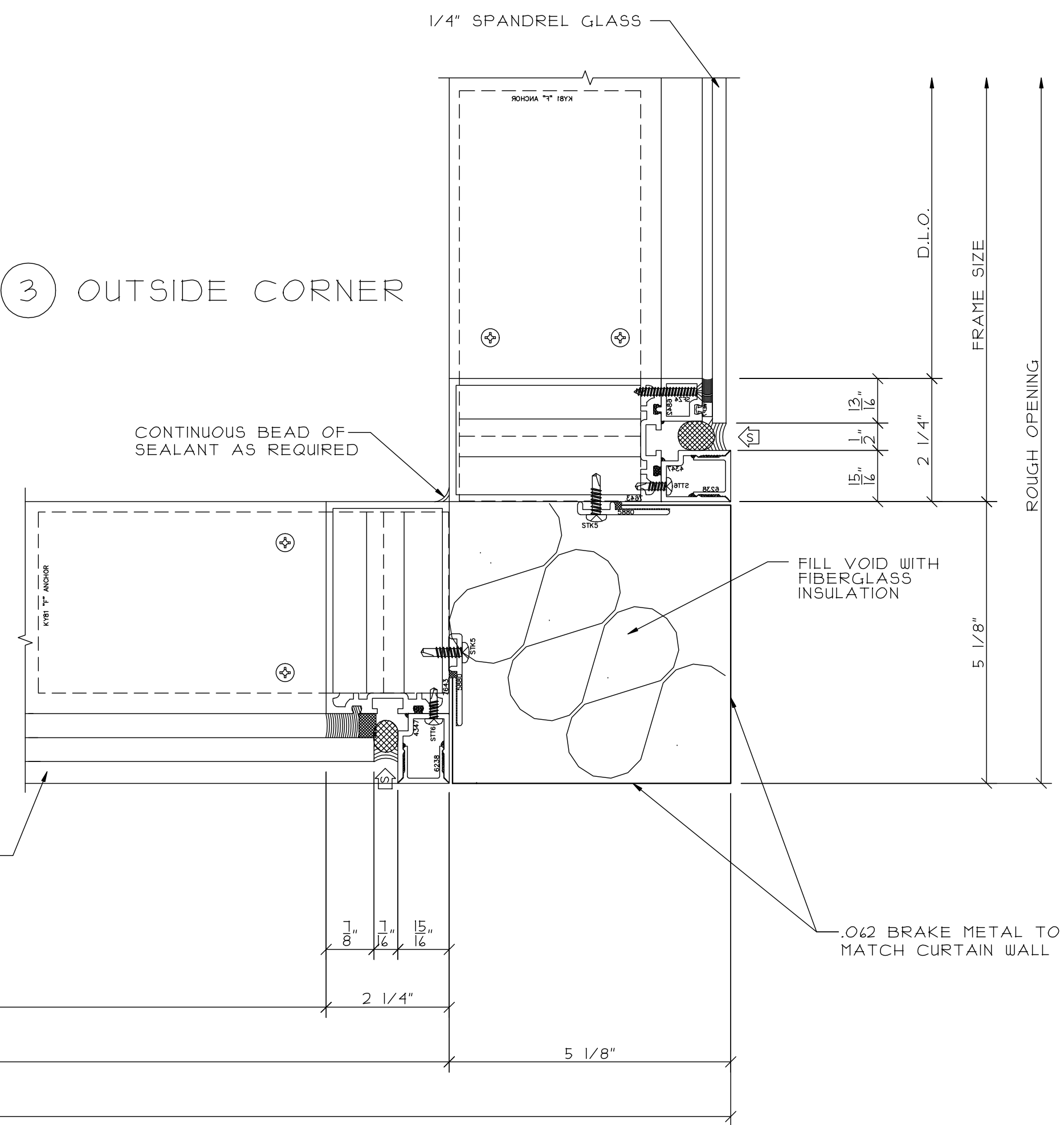


① OUTSIDE CORNER TO CURVED GLASS

② VERTICAL MULLION

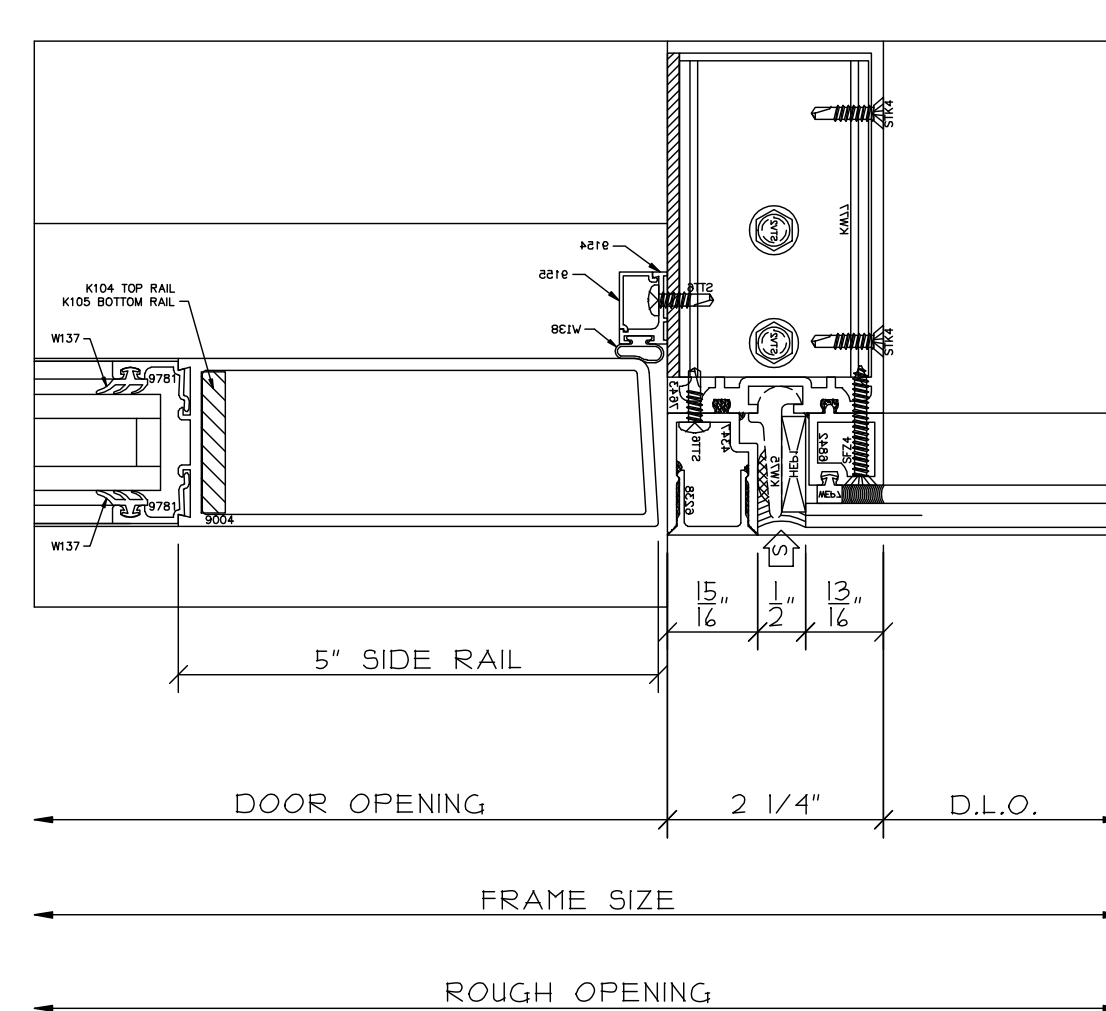


③ OUTSIDE CORNER



④ DOOR HEAD WITH TRANSOM

⑤ DOOR JAMB WITH SIDELIGHT



REVISIONS:	DATE:

GLAZING CONTRACTOR:	SAMPLE SAMPLE SAMPLE
	SAMPLE SAMPLE SAMPLE
	SAMPLE SAMPLE SAMPLE
	SAMPLE SAMPLE SAMPLE
	SAMPLE SAMPLE SAMPLE

ARCHITECT:	SAMPLE SAMPLE SAMPLE
	SAMPLE SAMPLE SAMPLE
	SAMPLE SAMPLE SAMPLE
	SAMPLE SAMPLE SAMPLE
	SAMPLE SAMPLE SAMPLE

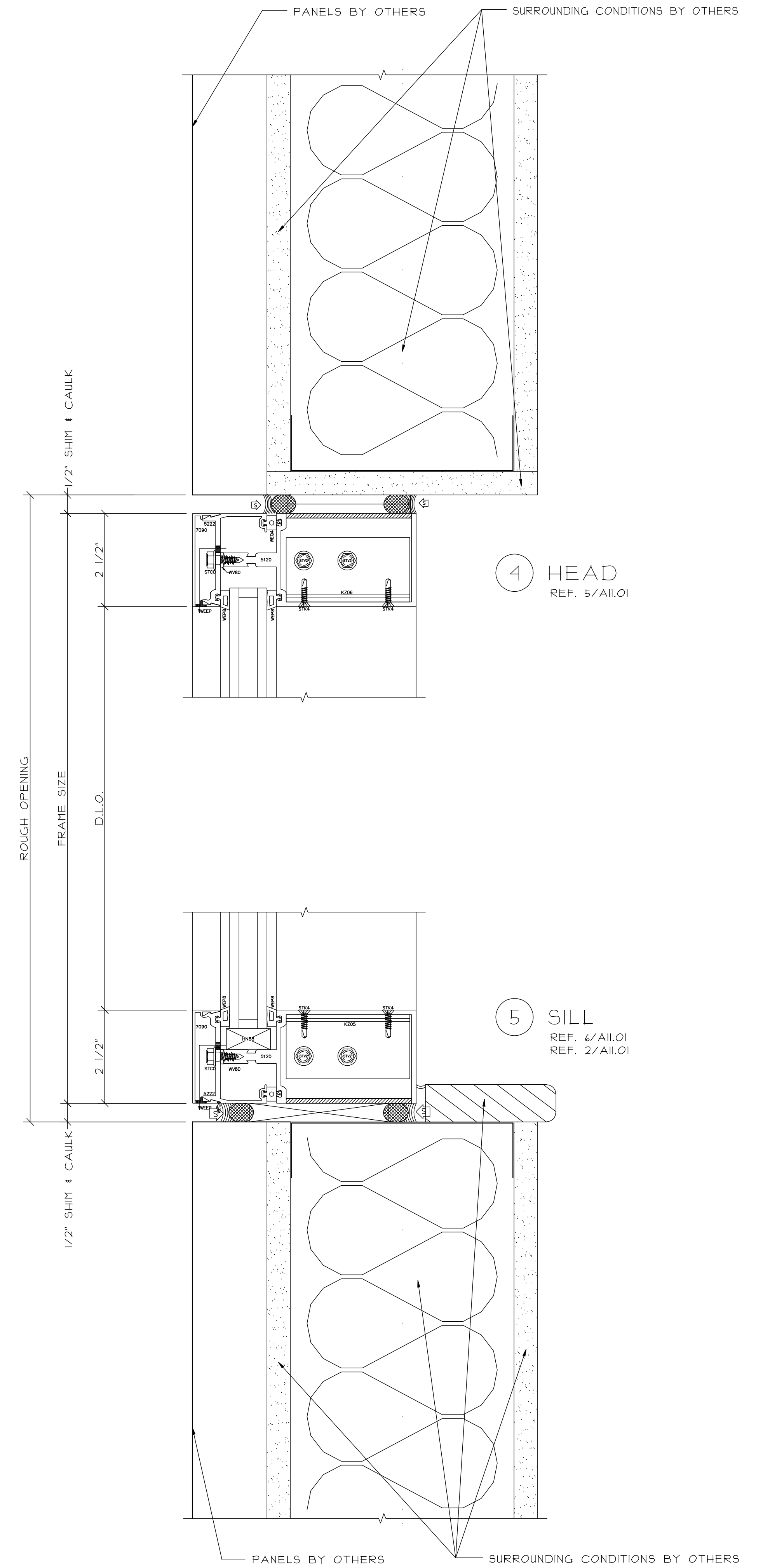
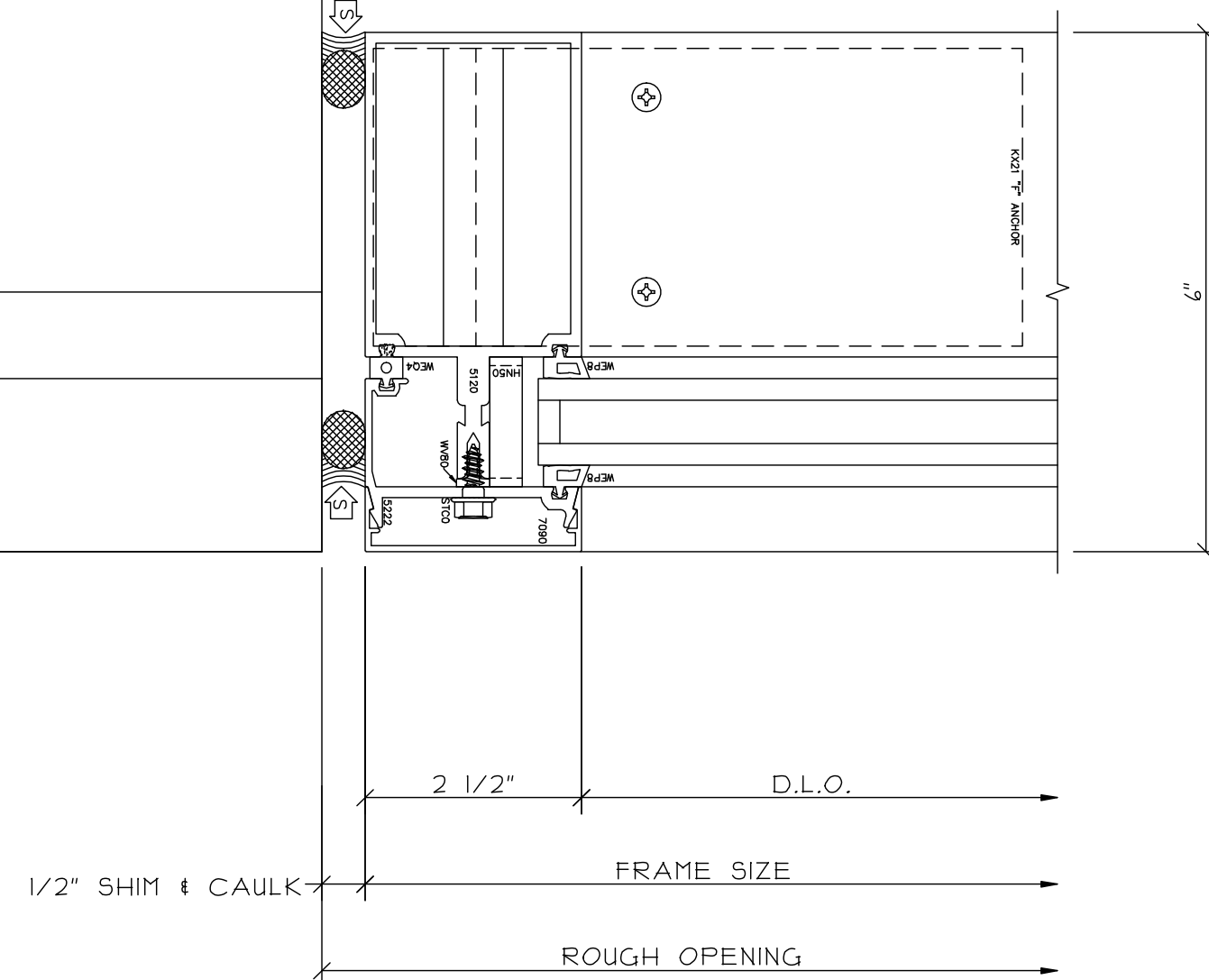
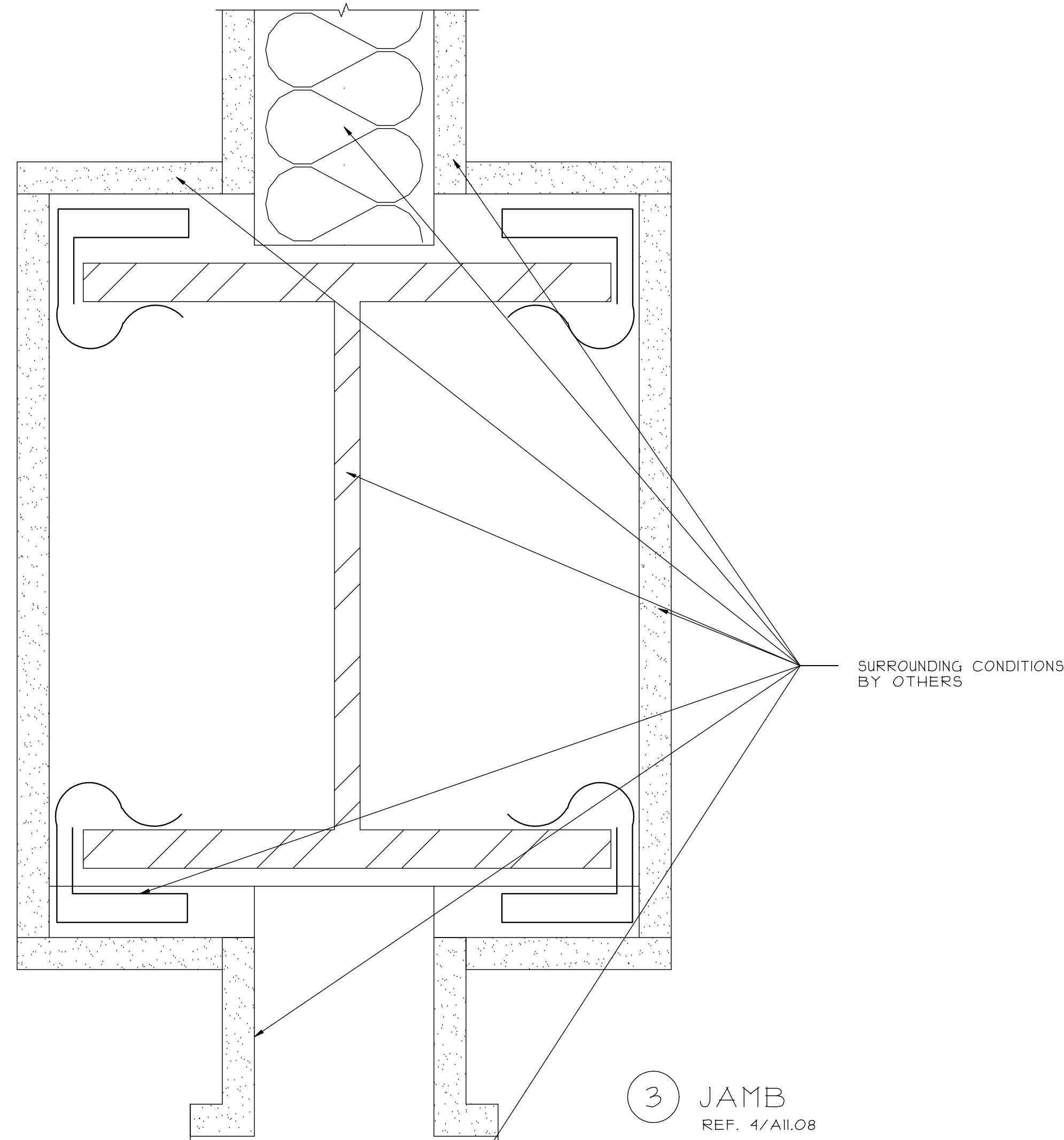
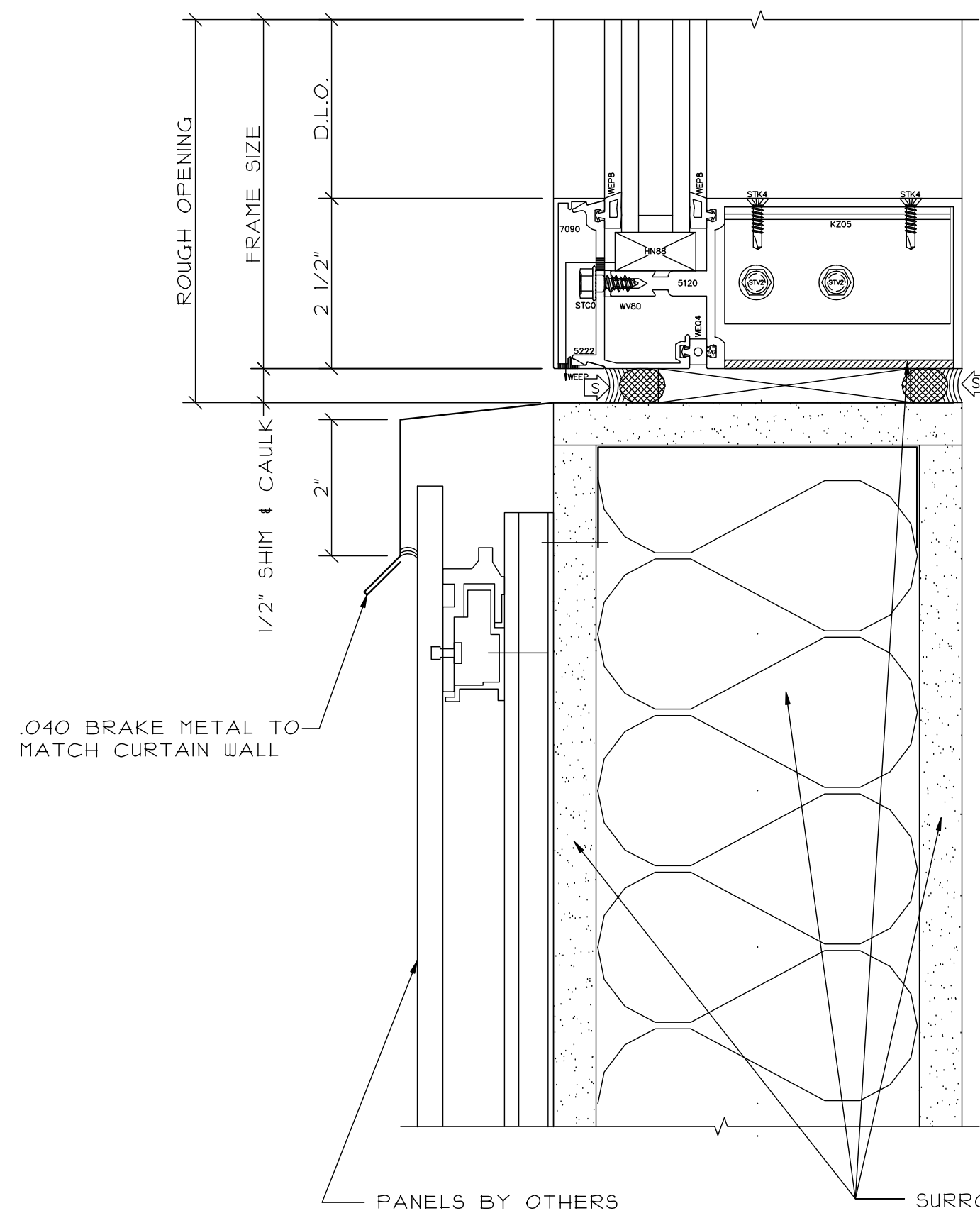
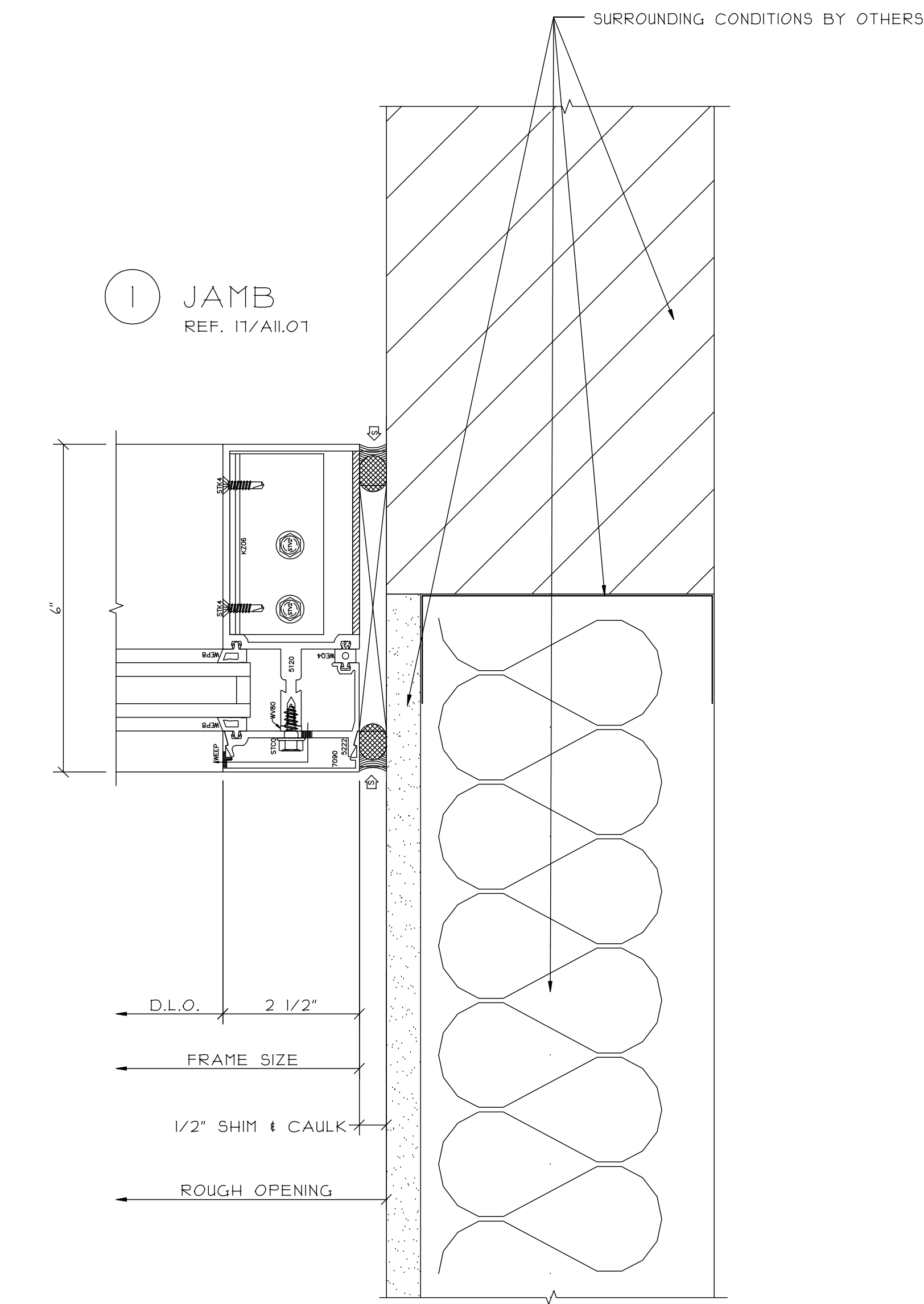
PROJECT:	SAMPLE SAMPLE SAMPLE
LOCATION:	SAMPLE SAMPLE SAMPLE

SCALE:
6" = 1'-0"

DATE:
SAMPLE

DRAWN:
SAMPLE

PAGE:
33



REVISIONS:

GLAZING CONTRACTOR:

SAMPLE	SAMPLE	SAMPLE
SAMPLE	SAMPLE	SAMPLE
SAMPLE	SAMPLE	SAMPLE
SAMPLE	SAMPLE	SAMPLE
SAMPLE	SAMPLE	SAMPLE

ARCHITECT:

SAMPLE	SAMPLE	SAMPLE
SAMPLE	SAMPLE	SAMPLE
SAMPLE	SAMPLE	SAMPLE
SAMPLE	SAMPLE	SAMPLE
SAMPLE	SAMPLE	SAMPLE

PROJECT: SAMPLe SAMPLe SAMPLe
 LOCATION: SAMPLe SAMPLe SAMPLe

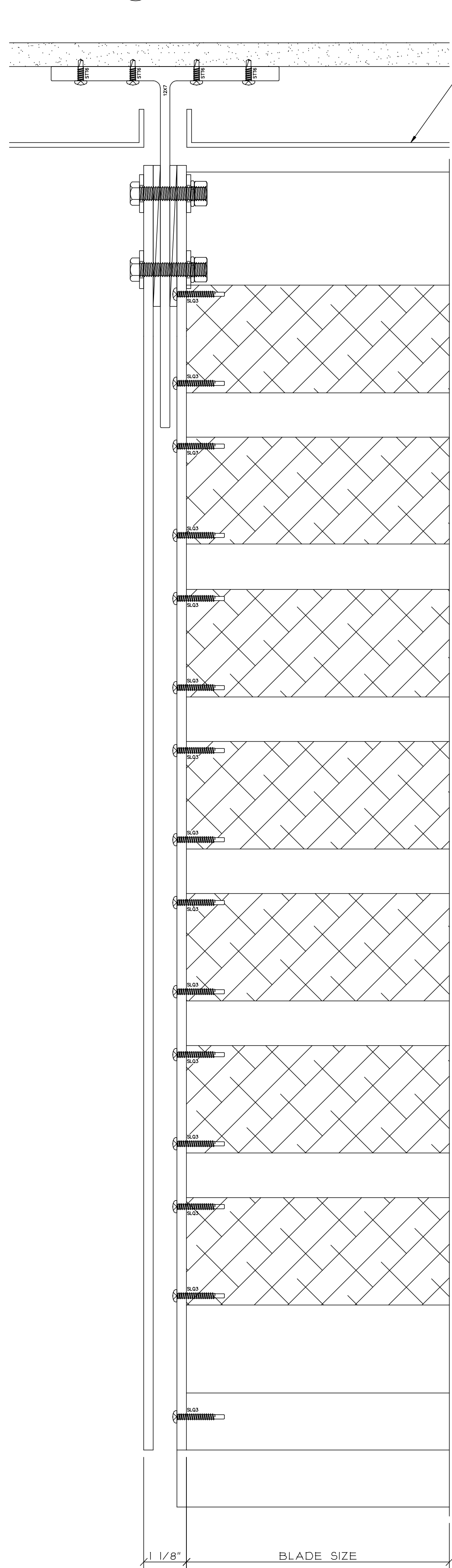
SCALE:
 6" = 1'-0"

DATE:
 SAMPLe

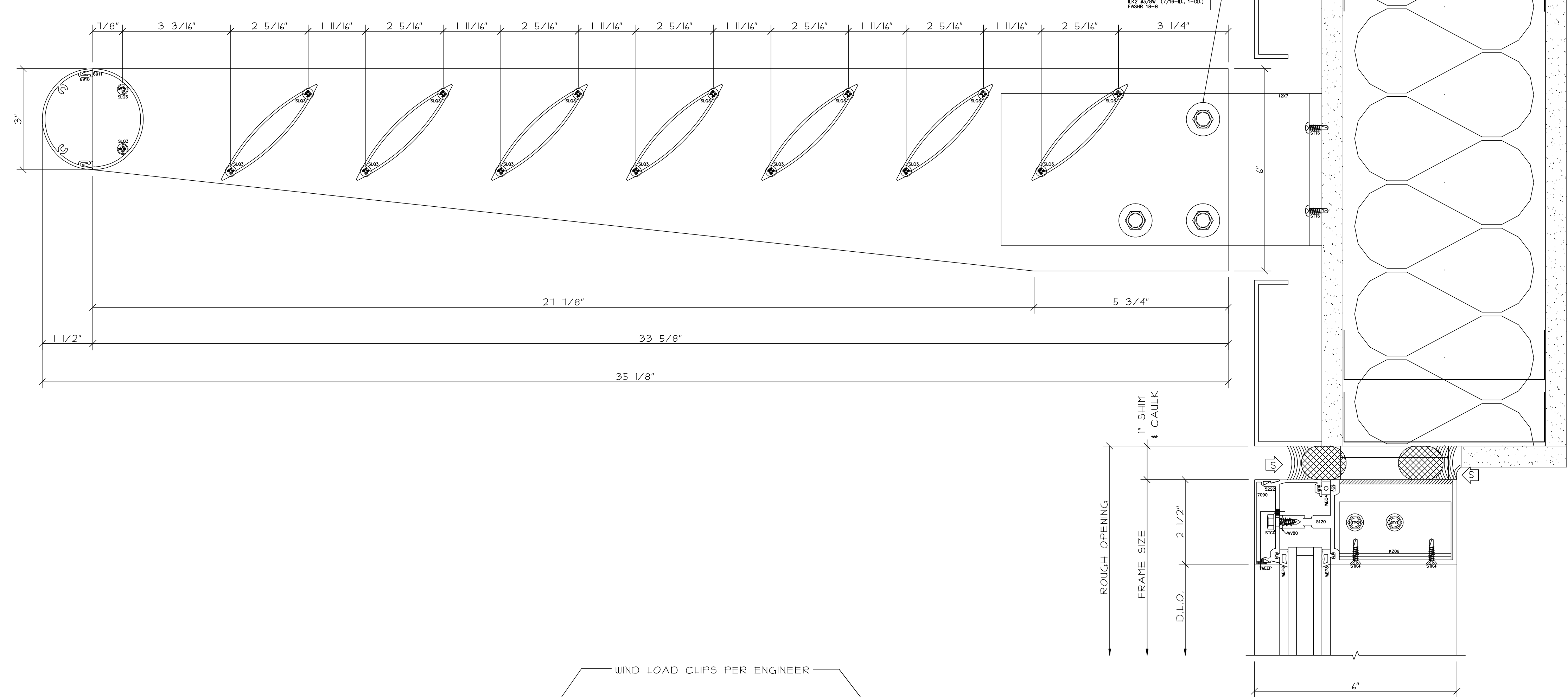
DRAWN:
 SAMPLe

PAGE:
 34

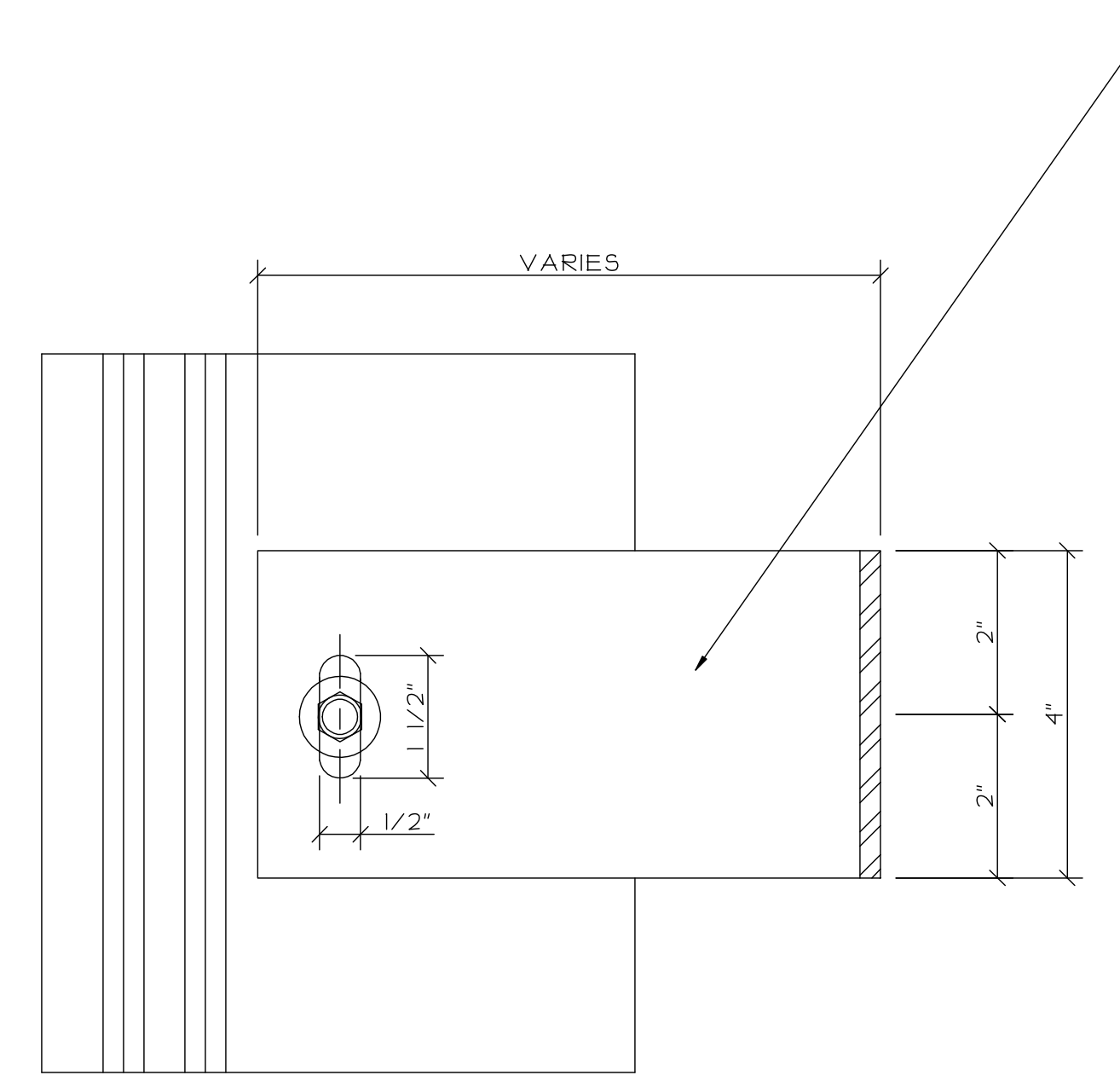
1 SUNSHADE PLAN VIEW



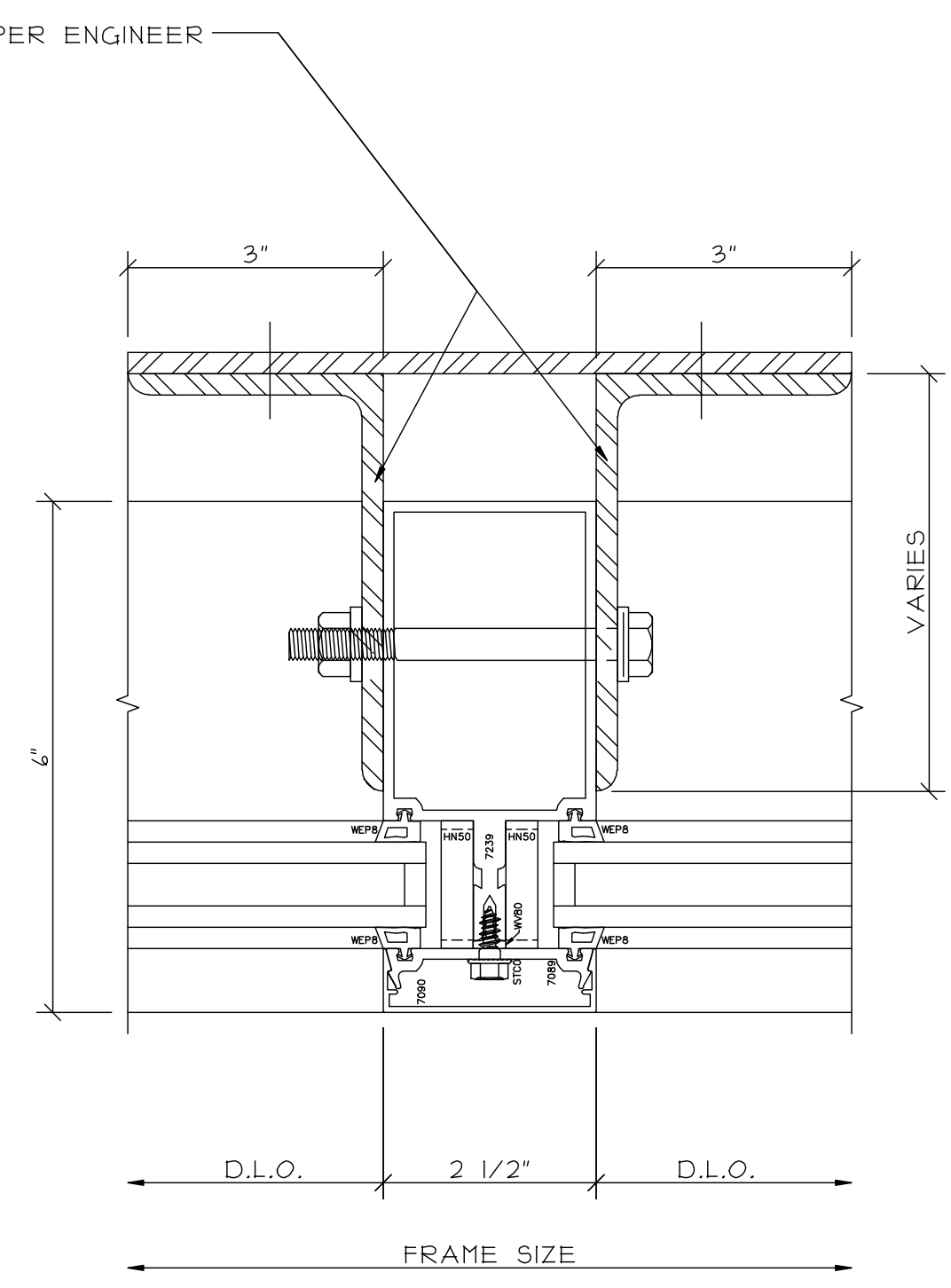
2 SUNSHADE DESIGN



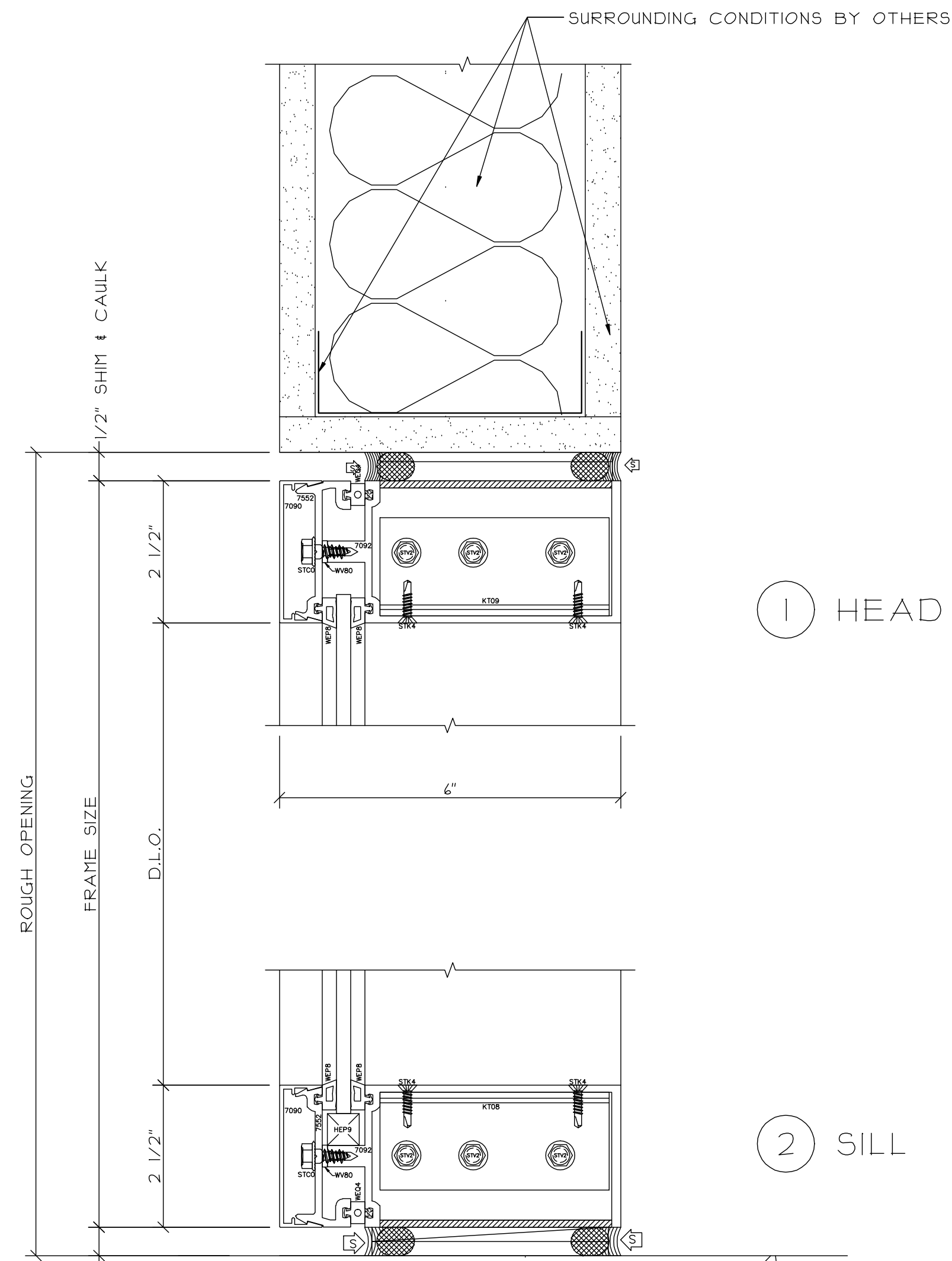
3 SIDE VIEW WIND LOAD ANCHOR



4 PLAN VIEW WIND LOAD ANCHOR

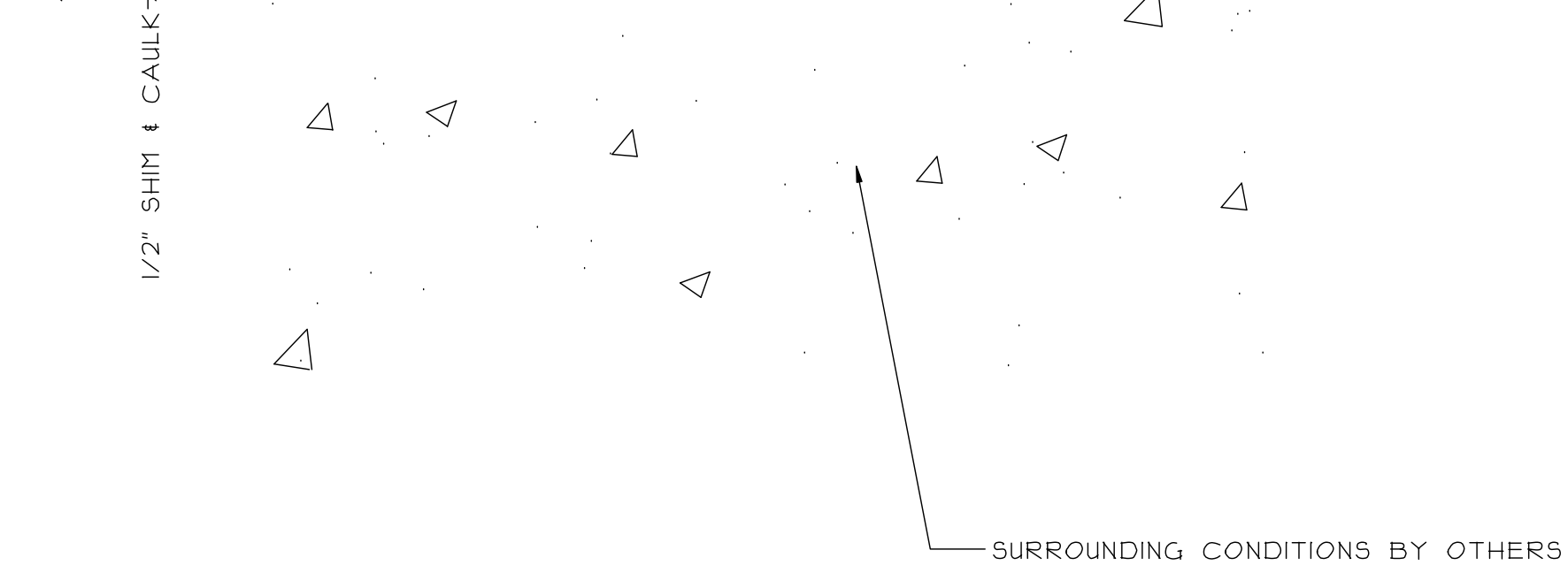


PROJECT:	SAMPLE SAMPLE SAMPLE
LOCATION:	SAMPLE SAMPLE SAMPLE
SCALE:	6" = 1'-0"
DATE:	SAMPLE
DRAWN:	SAMPLE
PAGE:	35
ARCHITECT:	SAMPLE SAMPLE SAMPLE SAMPLE SAMPLE SAMPLE SAMPLE SAMPLE SAMPLE SAMPLE SAMPLE SAMPLE
GLAZING CONTRACTOR:	SAMPLE SAMPLE SAMPLE SAMPLE SAMPLE SAMPLE SAMPLE SAMPLE SAMPLE SAMPLE SAMPLE SAMPLE
REVISIONS:	
DATE:	

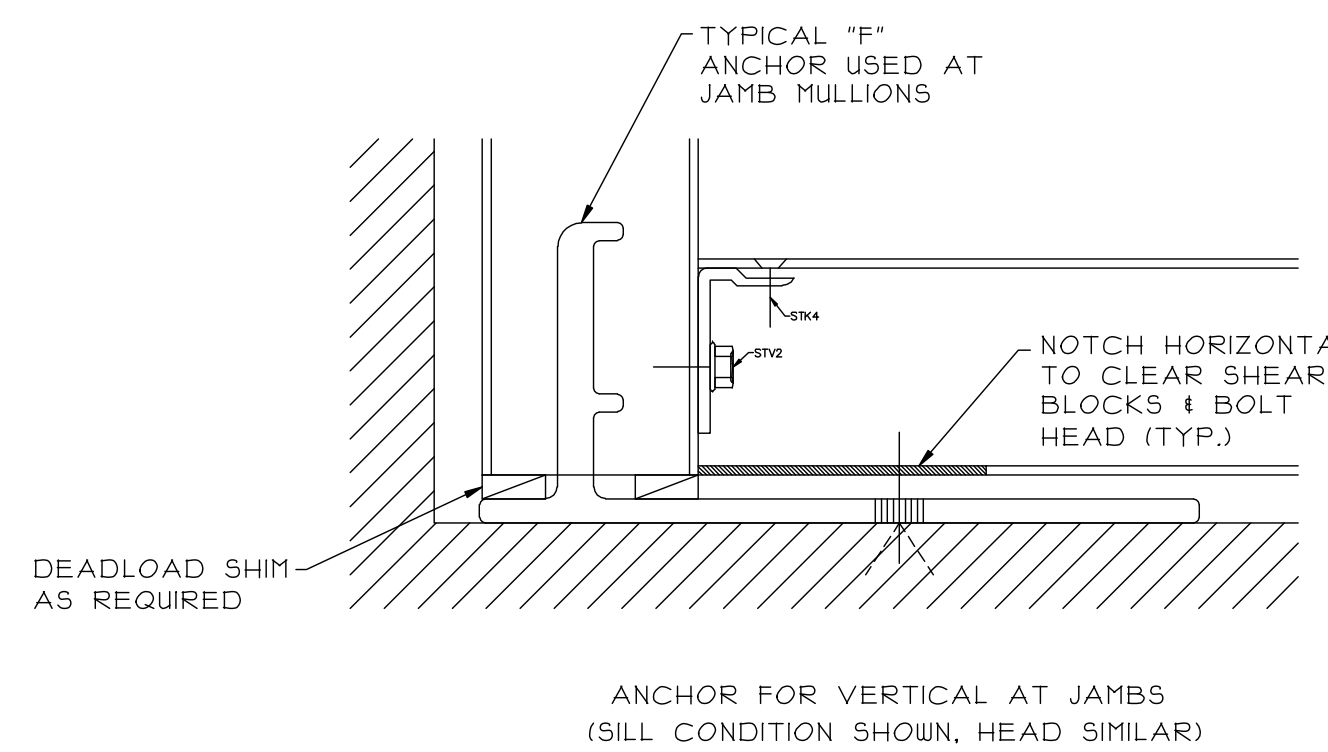
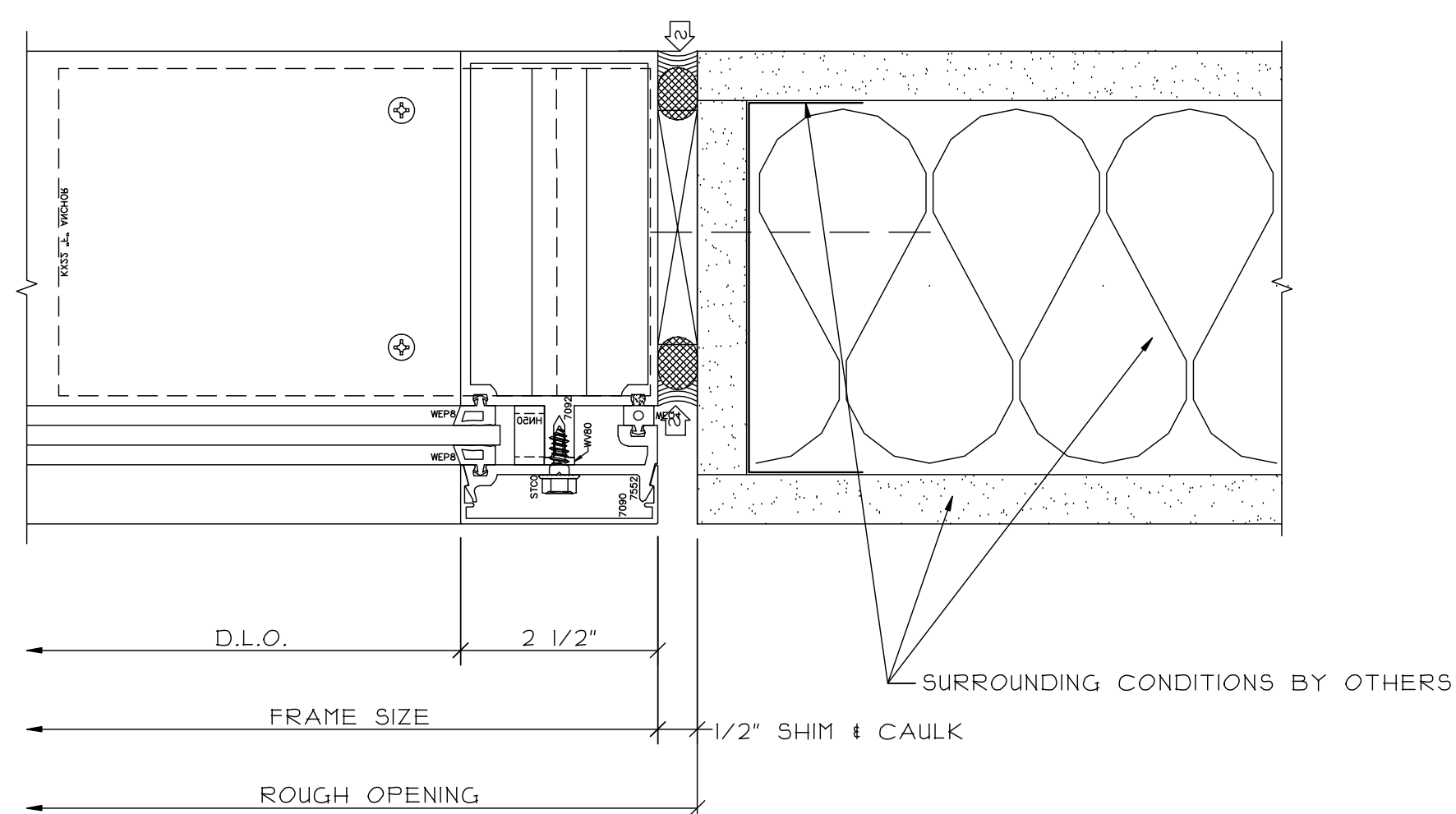


1 HEAD

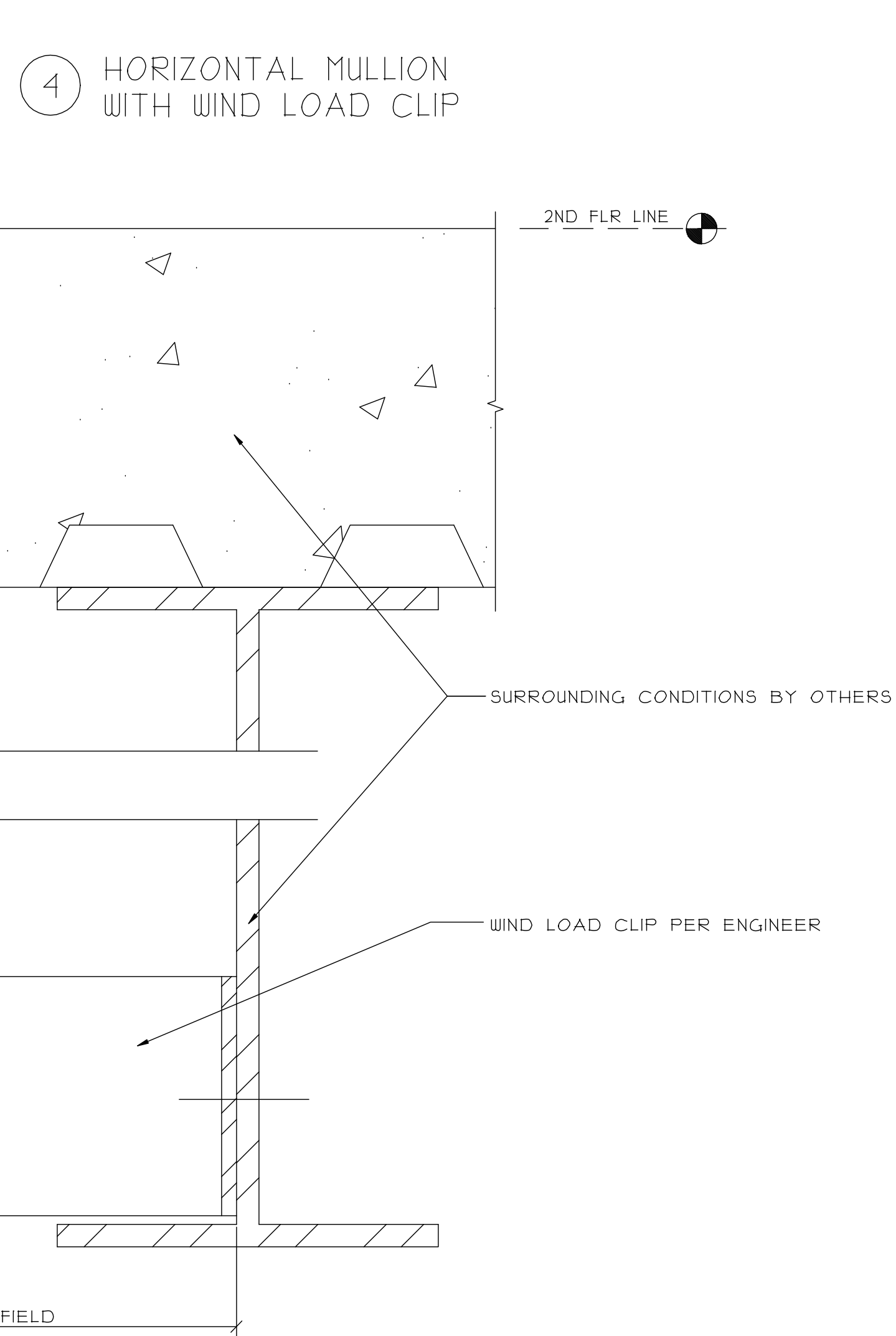
2 SILL



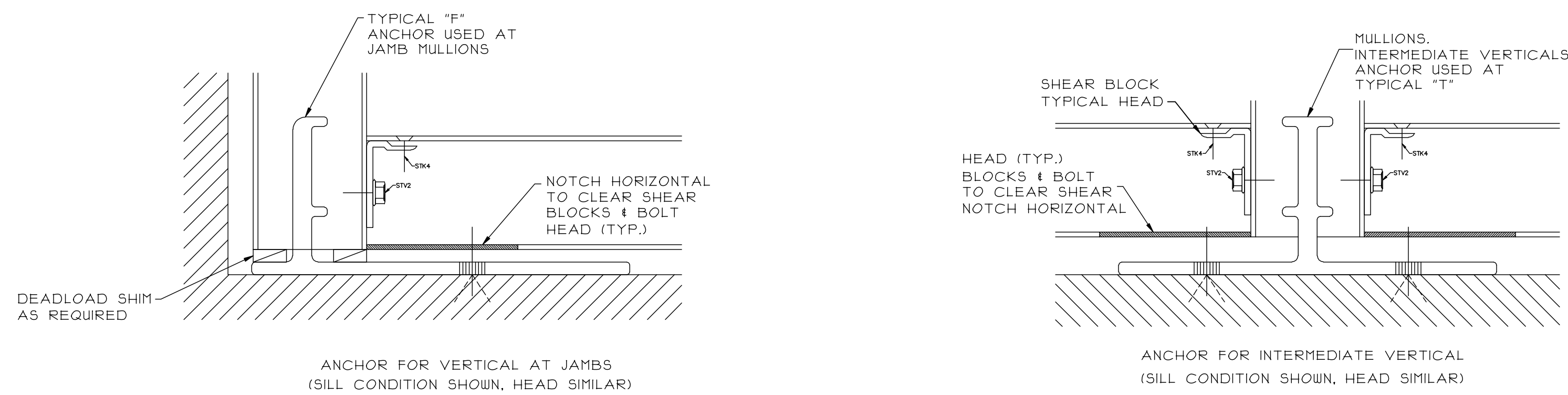
3 JAMB



5 F ANCHOR



4 HORIZONTAL MULLION WITH WIND LOAD CLIP



6 T ANCHOR

REVISIONS:	DATE:

GLAZING CONTRACTOR:	SAMPLE	SAMPLE	SAMPLE
	SAMPLE	SAMPLE	SAMPLE
	SAMPLE	SAMPLE	SAMPLE
	SAMPLE	SAMPLE	SAMPLE
	SAMPLE	SAMPLE	SAMPLE

ARCHITECT:	SAMPLE	SAMPLE	SAMPLE
	SAMPLE	SAMPLE	SAMPLE
	SAMPLE	SAMPLE	SAMPLE
	SAMPLE	SAMPLE	SAMPLE
	SAMPLE	SAMPLE	SAMPLE

PROJECT:	SAMPLE	SAMPLE	SAMPLE
LOCATION:	SAMPLE	SAMPLE	SAMPLE

SCALE:	6" = 1'-0"
DATE:	SAMPLE
DRAWN:	SAMPLE
PAGE:	36