

NEW ALUMINUM CURTAIN WALL AT 2ND THRU 4TH FLOORS

GENERAL NOTES:

I. GENERAL NOTES



| REVISIONS: | DATE: |
|------------|-------|
| | |
| | |
| | |
| | |

| GLAZING CONTRACTOR: |
|---------------------|
| SAMPLE |
| SAMPLE |
| SAMPLE |
| SAMPLE |
| SAMPLE |

| ARCHITECT: |
|------------|
| SAMPLE |
| SAMPLE |
| SAMPLE |
| SAMPLE |
| SAMPLE |

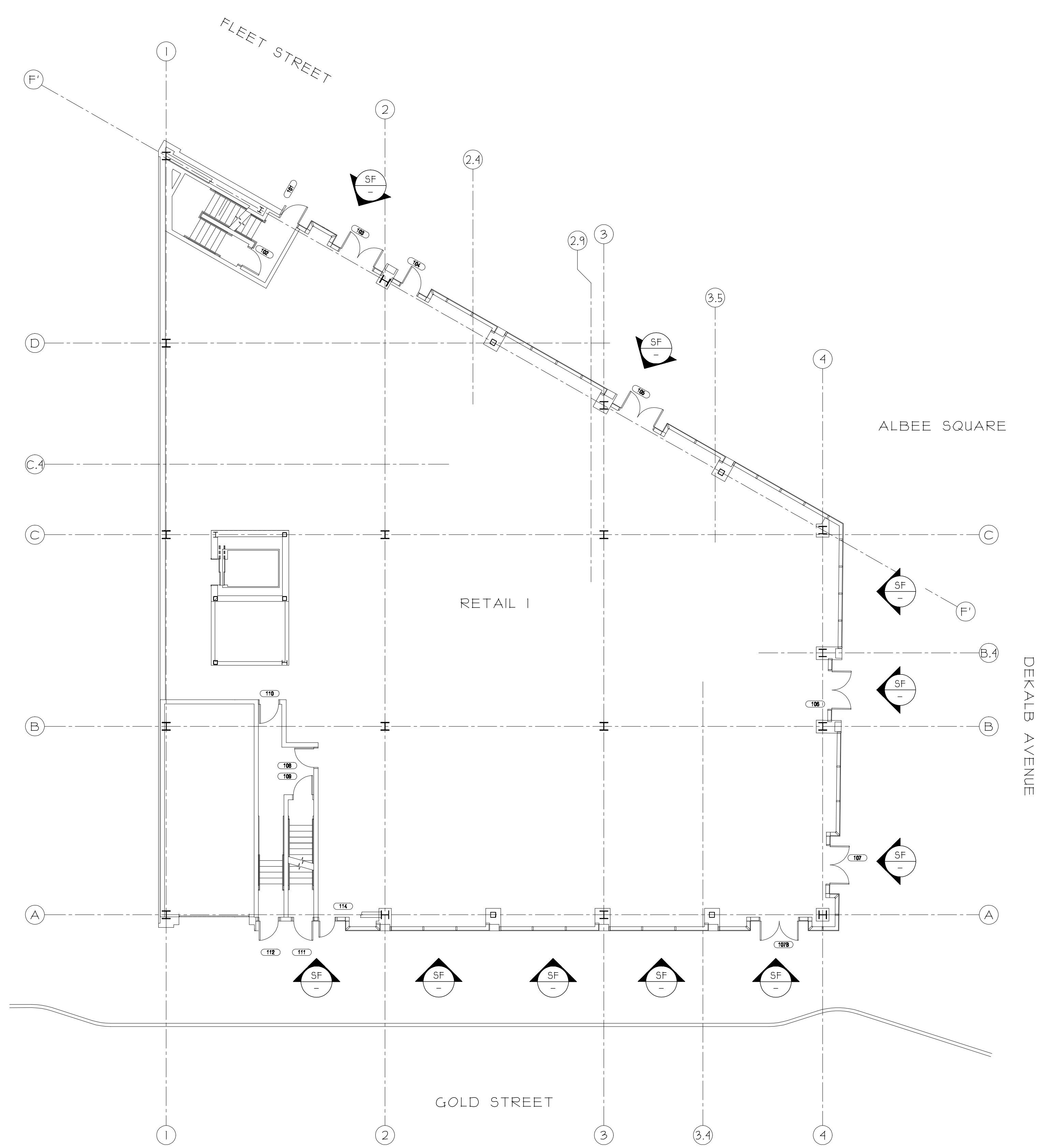
| | | | |
|-----------|--------|--------|--------|
| PROJECT: | SAMPLE | SAMPLE | SAMPLE |
| LOCATION: | SAMPLE | SAMPLE | SAMPLE |

SCALE:
N.T.S.

DATE:
SAMPLE

DRAWN:
SAMPLE

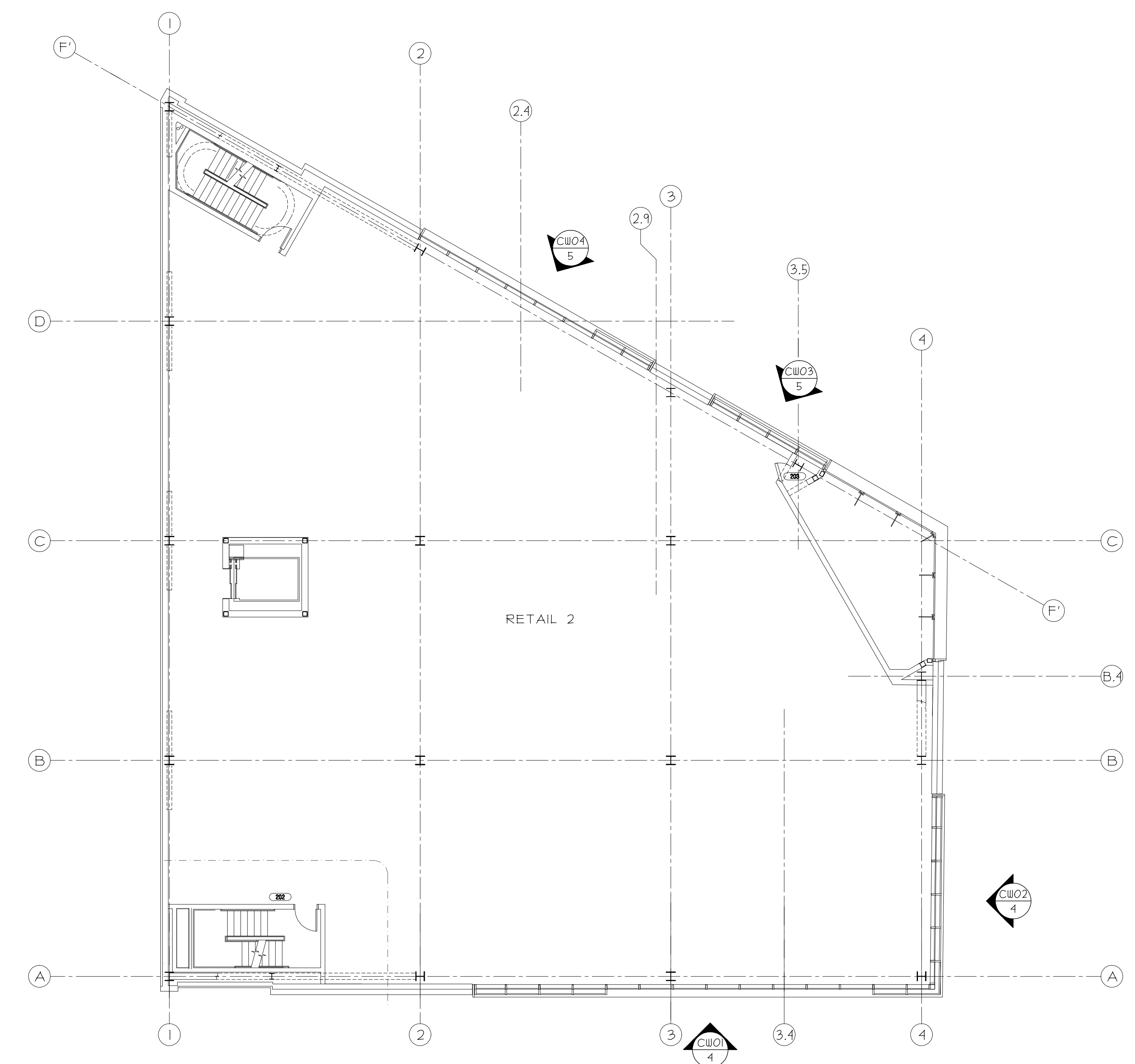
PAGE:
1 of 15



1ST FLOOR KEY PLAN

NORTH

SEE SEPARATE SUBMITTAL FOR STOREFRONT



2ND FLOOR KEY PLAN

NORTH

| | |
|------------|-------|
| REVISIONS: | DATE: |
| | |
| | |
| | |
| | |

| | |
|---------------------|--------|
| GLAZING CONTRACTOR: | SAMPLE |
| | SAMPLE |
| | SAMPLE |
| | SAMPLE |
| | SAMPLE |

| | |
|------------|--------|
| ARCHITECT: | SAMPLE |
| | SAMPLE |
| | SAMPLE |
| | SAMPLE |
| | SAMPLE |

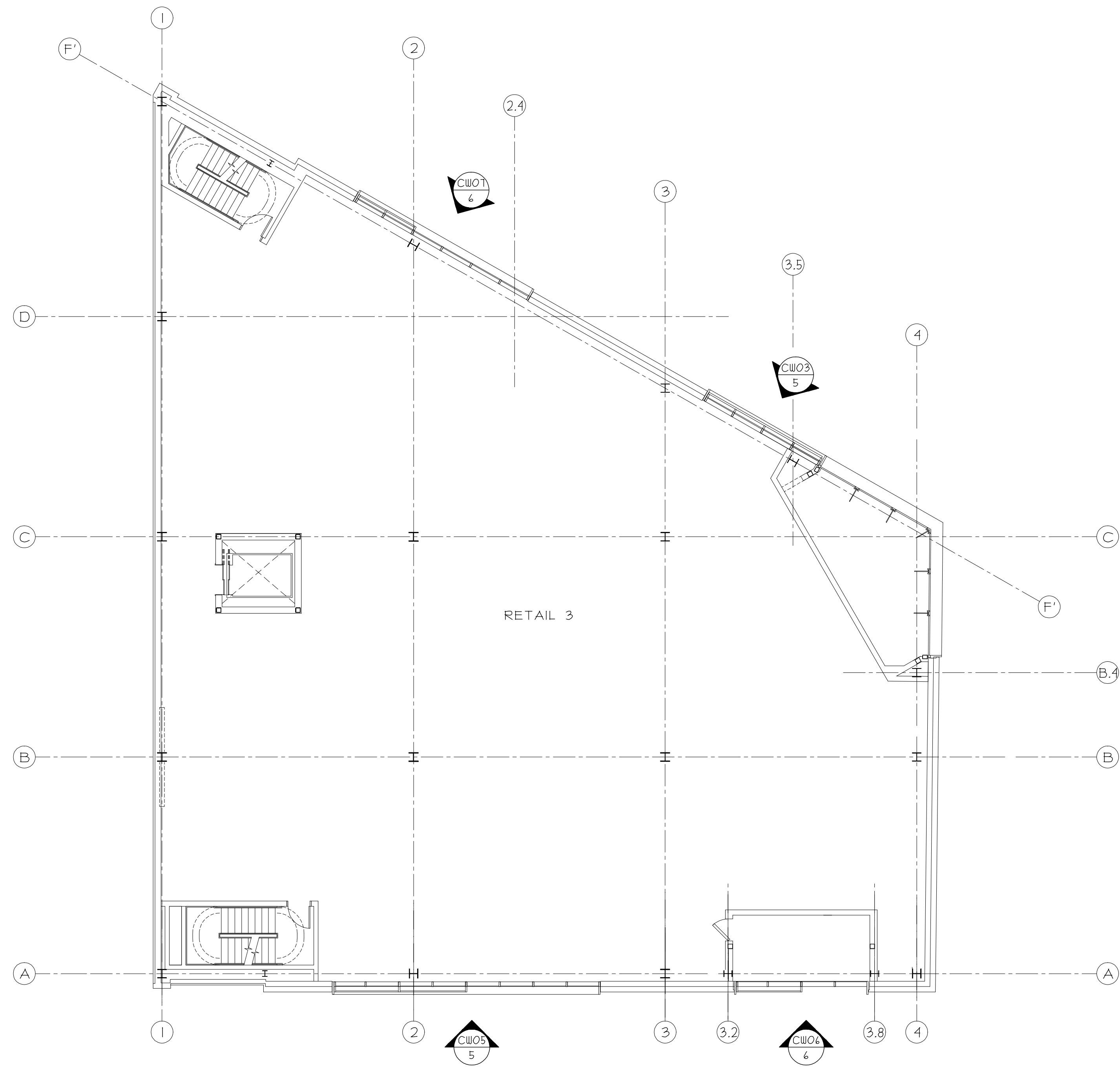
| | |
|-----------|--------|
| PROJECT: | SAMPLE |
| | SAMPLE |
| | SAMPLE |
| | SAMPLE |
| | SAMPLE |
| LOCATION: | SAMPLE |
| | SAMPLE |
| | SAMPLE |
| | SAMPLE |

SCALE:
3/8" = 1'-0"

DATE:
SAMPLE

DRAWN:
SAMPLE

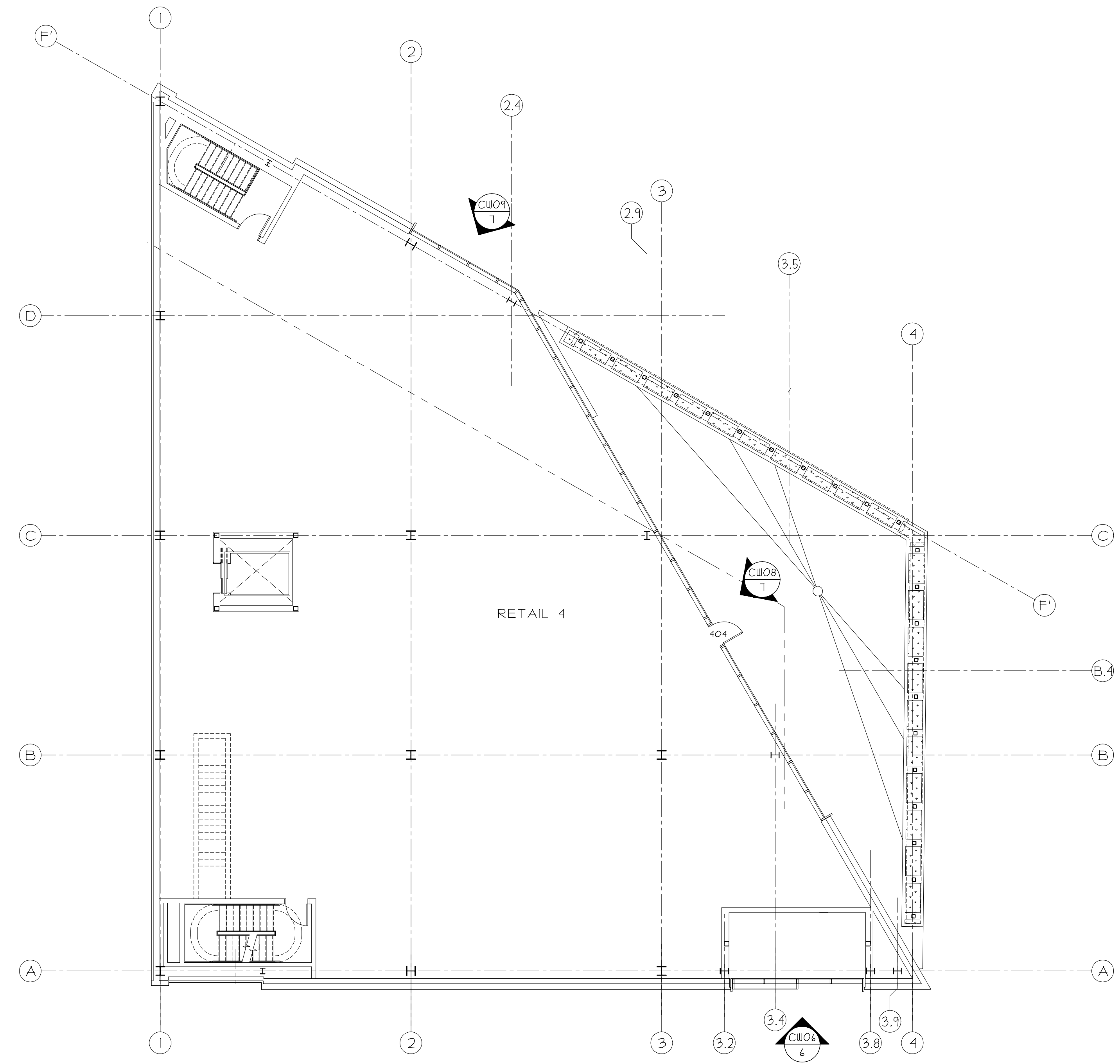
PAGE:
2 of 15



3RD FLOOR KEY PLAN



NORTH



4TH FLOOR KEY PLAN



NORTH

REVISIONS:

| | |
|--|--|
| | |
| | |
| | |
| | |
| | |
| | |

GLAZING CONTRACTOR:

| | | |
|--------|--------|--------|
| SAMPLE | SAMPLE | SAMPLE |
| SAMPLE | SAMPLE | SAMPLE |
| SAMPLE | SAMPLE | SAMPLE |
| SAMPLE | SAMPLE | SAMPLE |
| SAMPLE | SAMPLE | SAMPLE |
| SAMPLE | SAMPLE | SAMPLE |

ARCHITECT:

| | | |
|--------|--------|--------|
| SAMPLE | SAMPLE | SAMPLE |
| SAMPLE | SAMPLE | SAMPLE |
| SAMPLE | SAMPLE | SAMPLE |
| SAMPLE | SAMPLE | SAMPLE |
| SAMPLE | SAMPLE | SAMPLE |
| SAMPLE | SAMPLE | SAMPLE |

PROJECT: SAMPLE SAMPLE SAMPLE

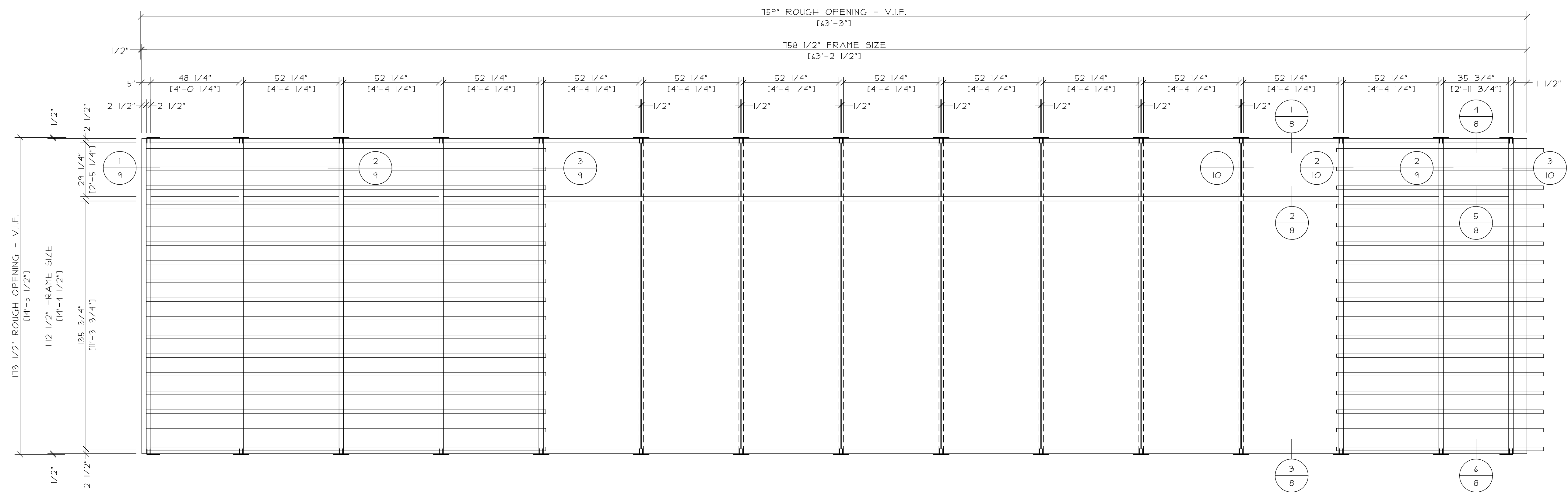
LOCATION: SAMPLE SAMPLE SAMPLE

SCALE:
3/8" = 1'-0"

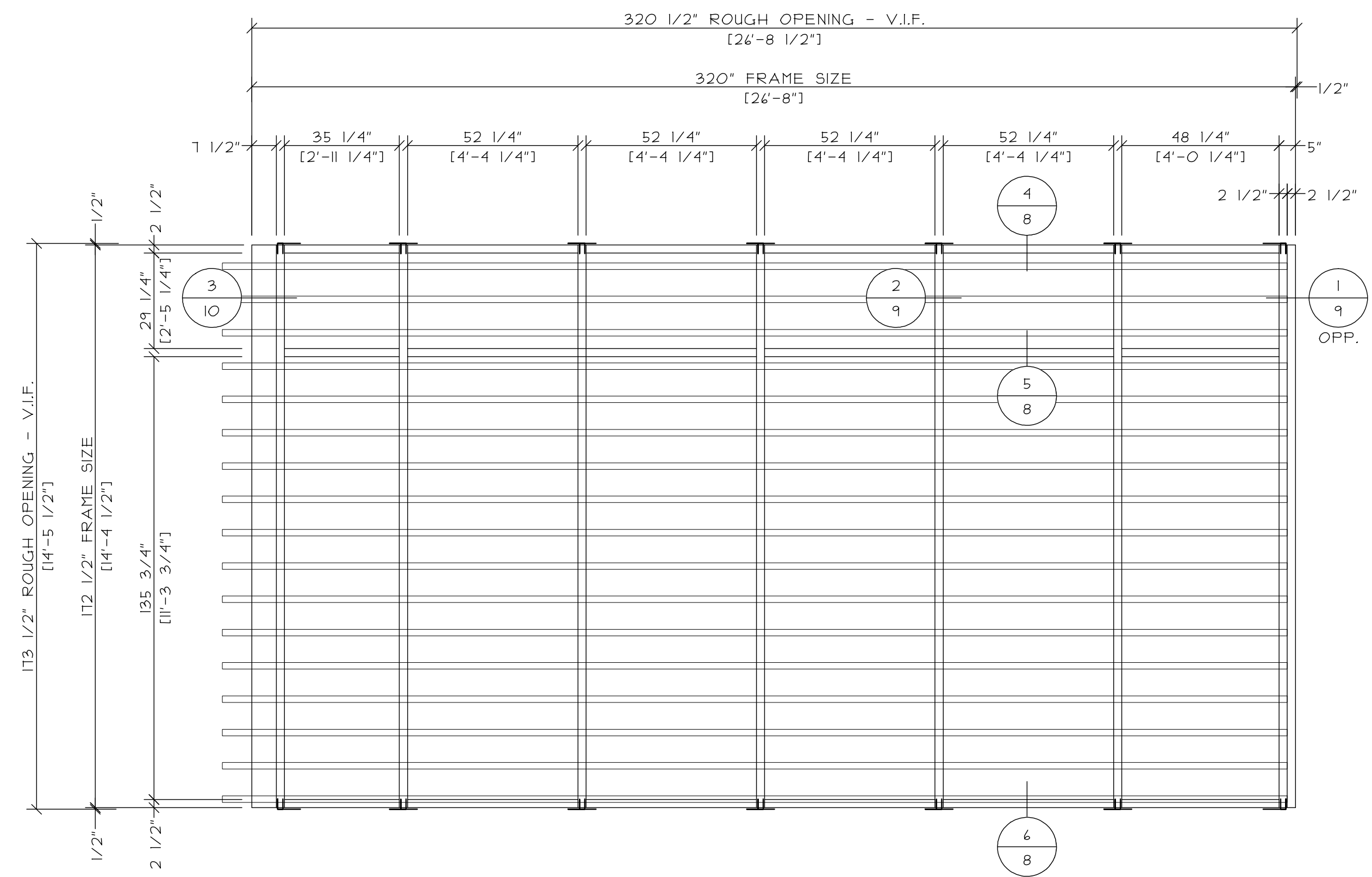
DATE:
SAMPLE

DRAWN:
SAMPLE

PAGE:
3 of 15



ELEVATION "CW01"
 1 TOTAL
 YCW 150 SSG



ELEVATION "CW02"
 1 TOTAL
 YCW 150 SSG

LL - DENOTES LOCATION OF "F" & "T" ANCHORS. SEE DETAILS ON PAGE 15.

| | |
|------------|-------|
| REVISIONS: | DATE: |
| | |
| | |
| | |

GLAZING CONTRACTOR:
 SAMPLE SAMPLE SAMPLE
 SAMPLE SAMPLE SAMPLE
 SAMPLE SAMPLE SAMPLE
 SAMPLE SAMPLE SAMPLE
 SAMPLE SAMPLE SAMPLE

ARCHITECT:
 SAMPLE SAMPLE SAMPLE
 SAMPLE SAMPLE SAMPLE
 SAMPLE SAMPLE SAMPLE
 SAMPLE SAMPLE SAMPLE
 SAMPLE SAMPLE SAMPLE

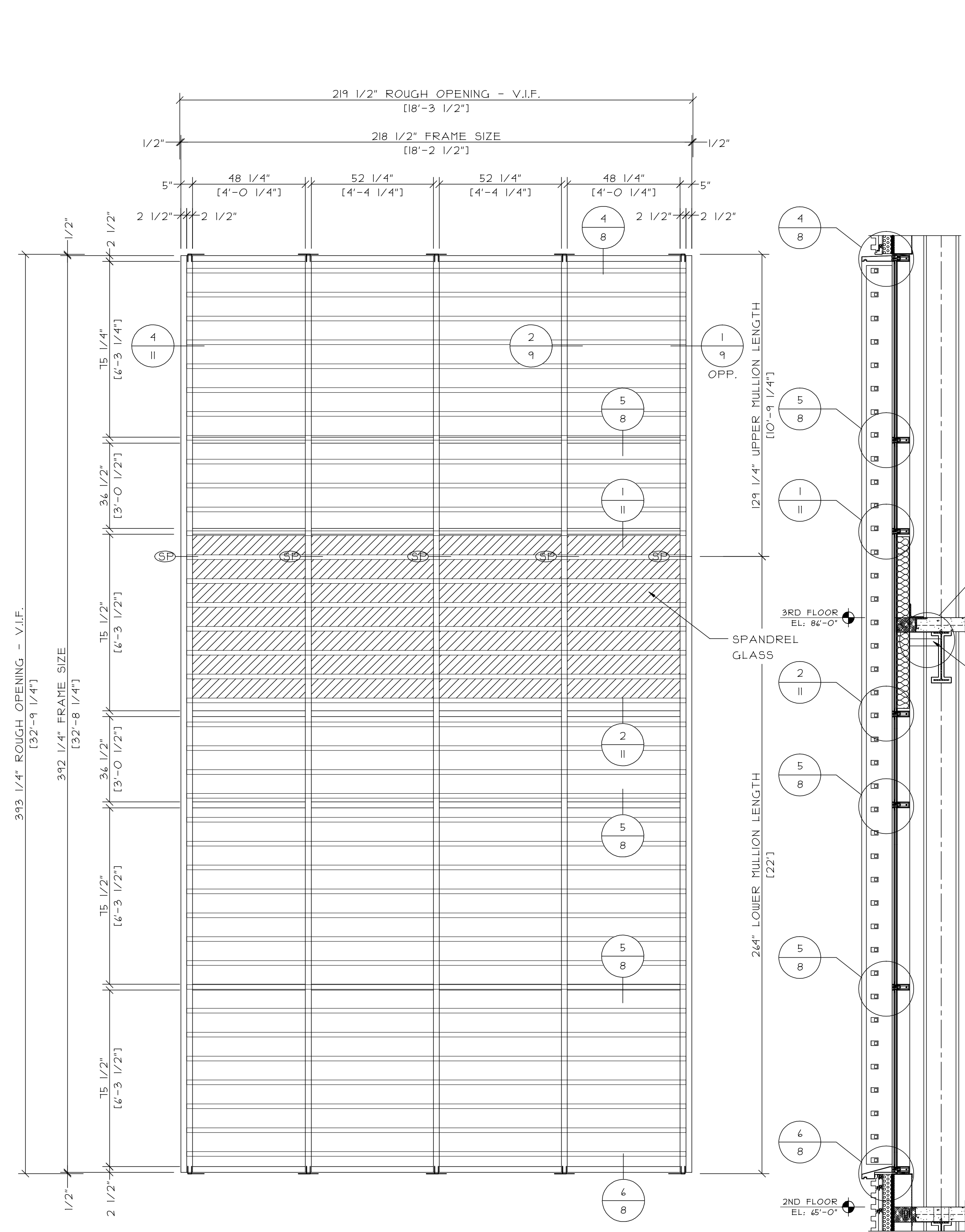
PROJECT: SAMPLE SAMPLE SAMPLE
 LOCATION: SAMPLE SAMPLE SAMPLE

SCALE:
 3/8" = 1'-0"

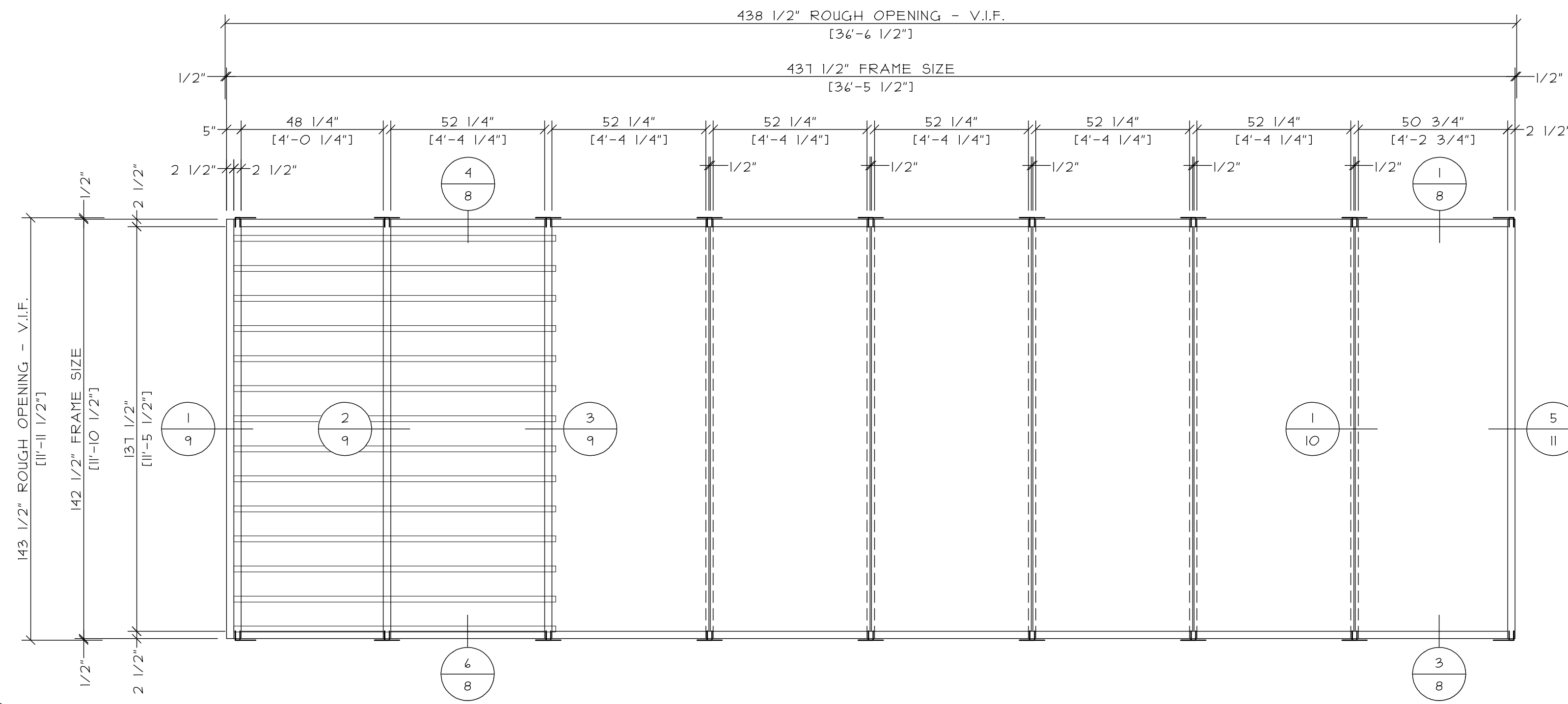
DATE:
 SAMPLE

DRAWN:
 SAMPLE

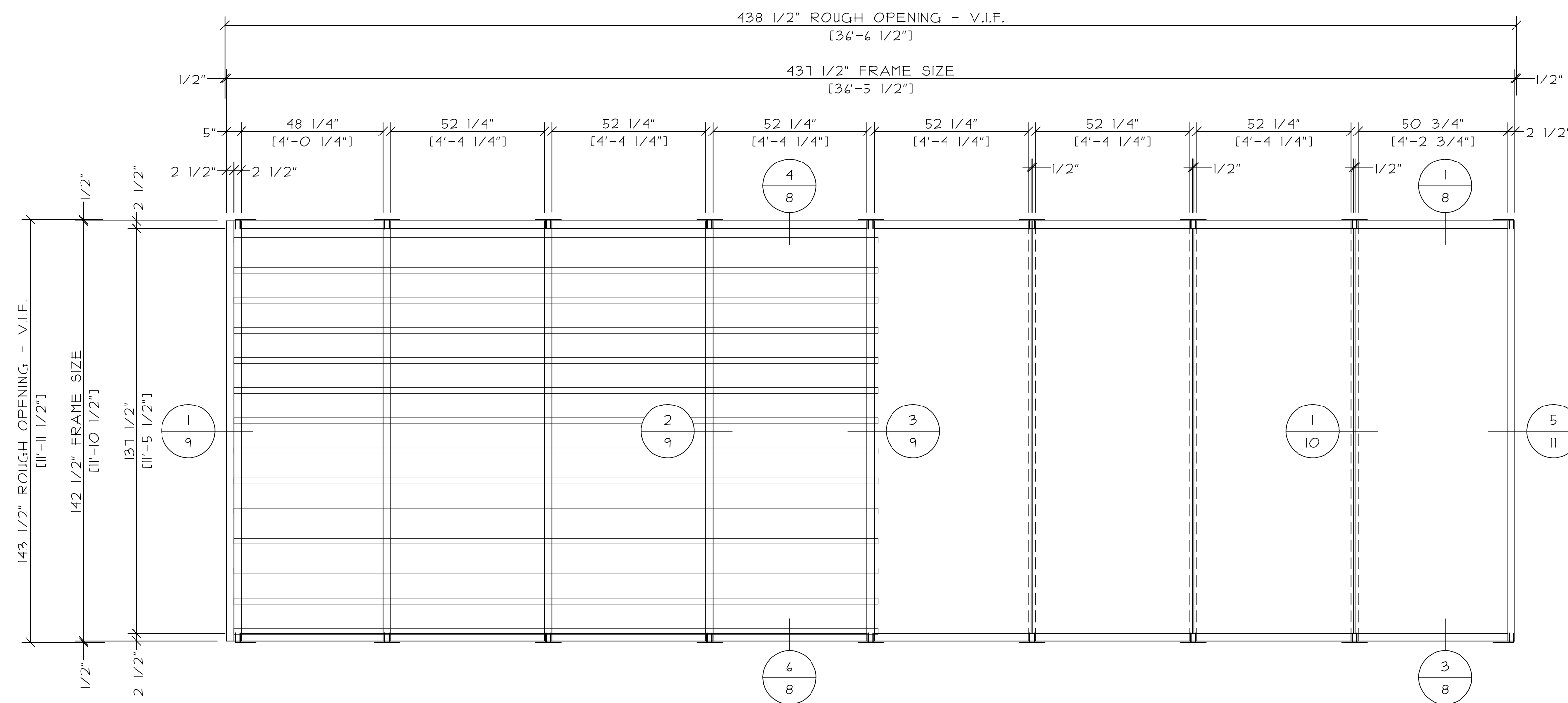
PAGE:
 4 of 15



ELEVATION "CW03"
 I TOTAL
 YCW 750 SSG



ELEVATION "CW04"
 I TOTAL
 YCW 750 SSG



ELEVATION "CW05"
 I TOTAL
 YCW 750 SSG

LL - DENOTES LOCATION OF "F" & "T" ANCHORS. SEE DETAILS ON PAGE 15.

| | |
|------------|-------|
| REVISIONS: | DATE: |
| | |
| | |
| | |

| | |
|---------------------|----------------------|
| GLAZING CONTRACTOR: | SAMPLE SAMPLE SAMPLE |
| | SAMPLE SAMPLE SAMPLE |
| | SAMPLE SAMPLE SAMPLE |
| | SAMPLE SAMPLE SAMPLE |
| | SAMPLE SAMPLE SAMPLE |

| | |
|------------|----------------------|
| ARCHITECT: | SAMPLE SAMPLE SAMPLE |
| | SAMPLE SAMPLE SAMPLE |
| | SAMPLE SAMPLE SAMPLE |
| | SAMPLE SAMPLE SAMPLE |
| | SAMPLE SAMPLE SAMPLE |

| | |
|-----------|----------------------|
| PROJECT: | SAMPLE SAMPLE SAMPLE |
| LOCATION: | SAMPLE SAMPLE SAMPLE |

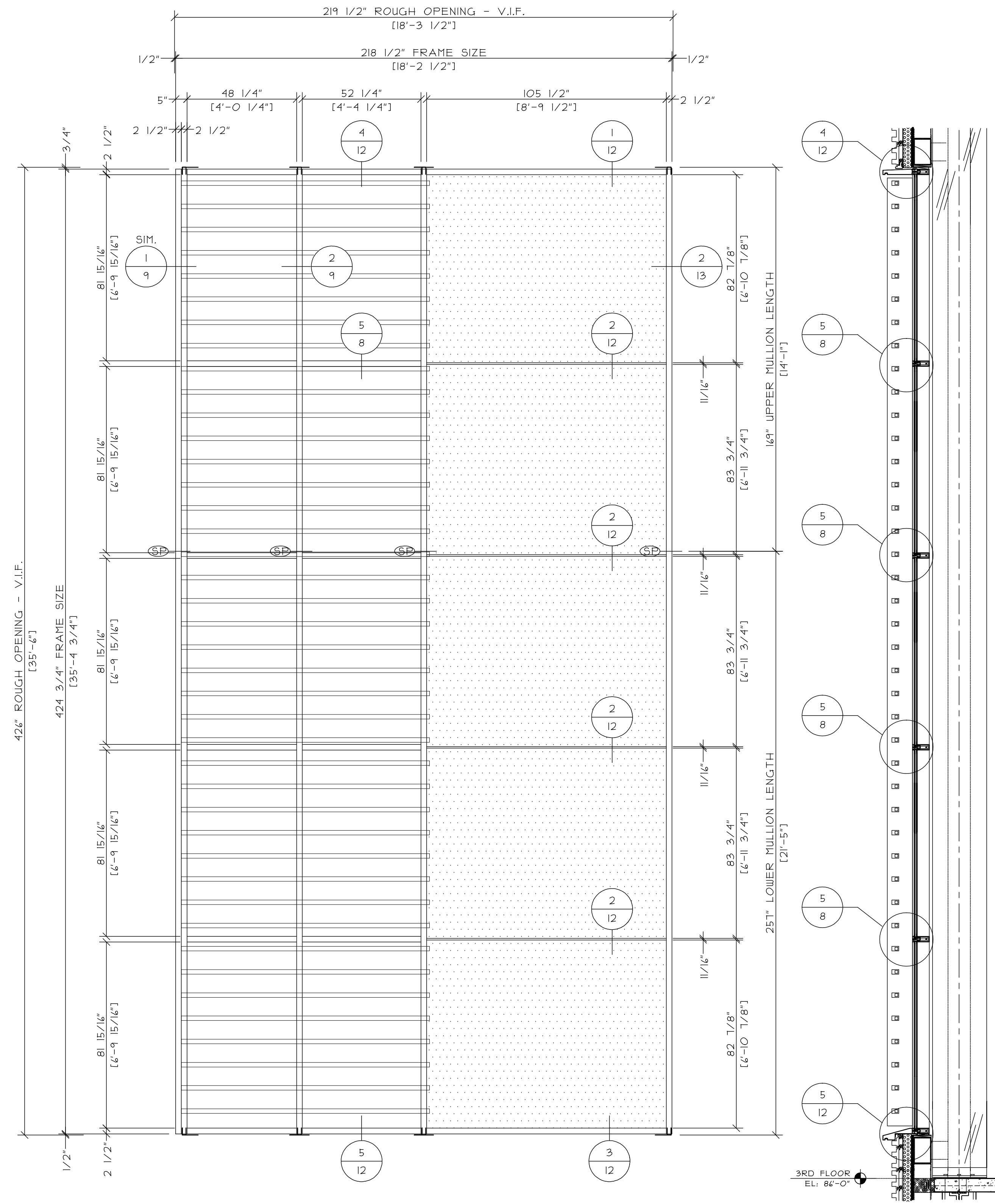
SCALE:
 3/8" = 1'-0"

DATE:
 SAMPLE

DRAWN:
 SAMPLE

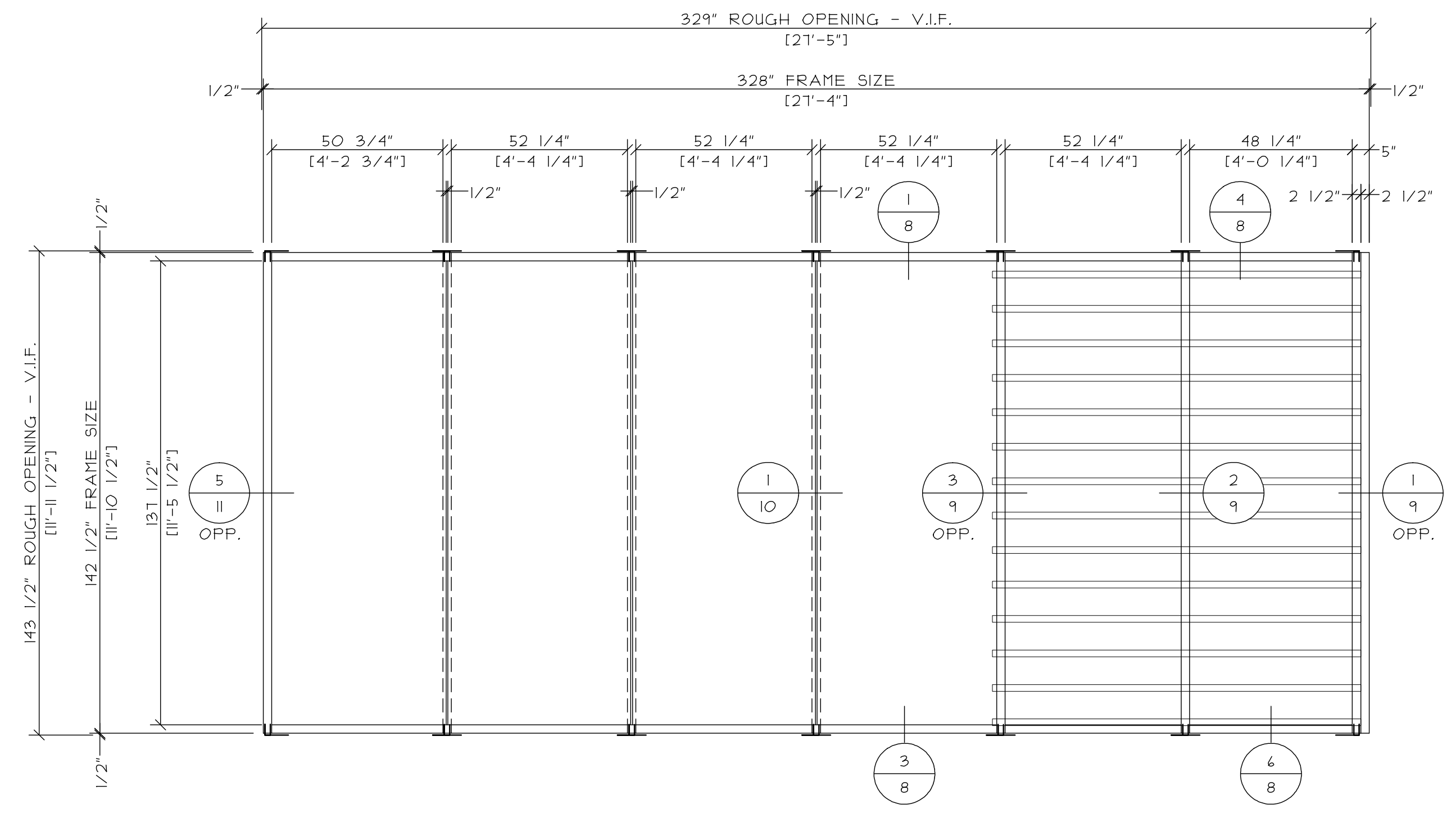
PAGE:
 5 of 15

PRELIMINARY – NOT FOR SUBMITTAL OR CONSTRUCTION



ELEVATION "CW06"
1 TOTAL
 YCW 150 SSG

DENOTES LOCATION OF 1/16" STARPHIRE TEMPERED/STARPHIRE TEMPERED LAMINATED GLASS



ELEVATION "CW07"
1 TOTAL
 YCW 150 SSG

- DENOTES LOCATION OF "F" & "T" ANCHORS. SEE DETAILS ON PAGE 15.

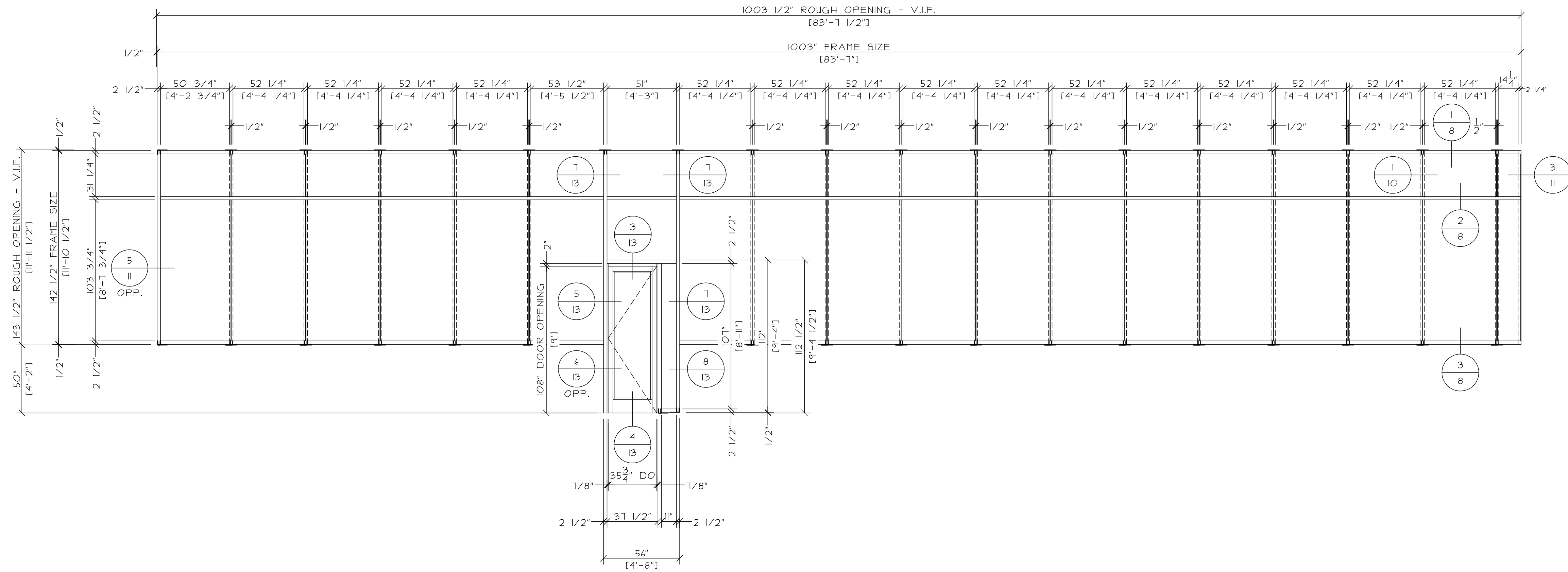
| | |
|------------|-------|
| REVISIONS: | DATE: |
| | |
| | |
| | |
| | |

| | |
|---------------------|----------------------|
| GLAZING CONTRACTOR: | SAMPLE SAMPLE SAMPLE |
| | |
| | |
| | |
| | |

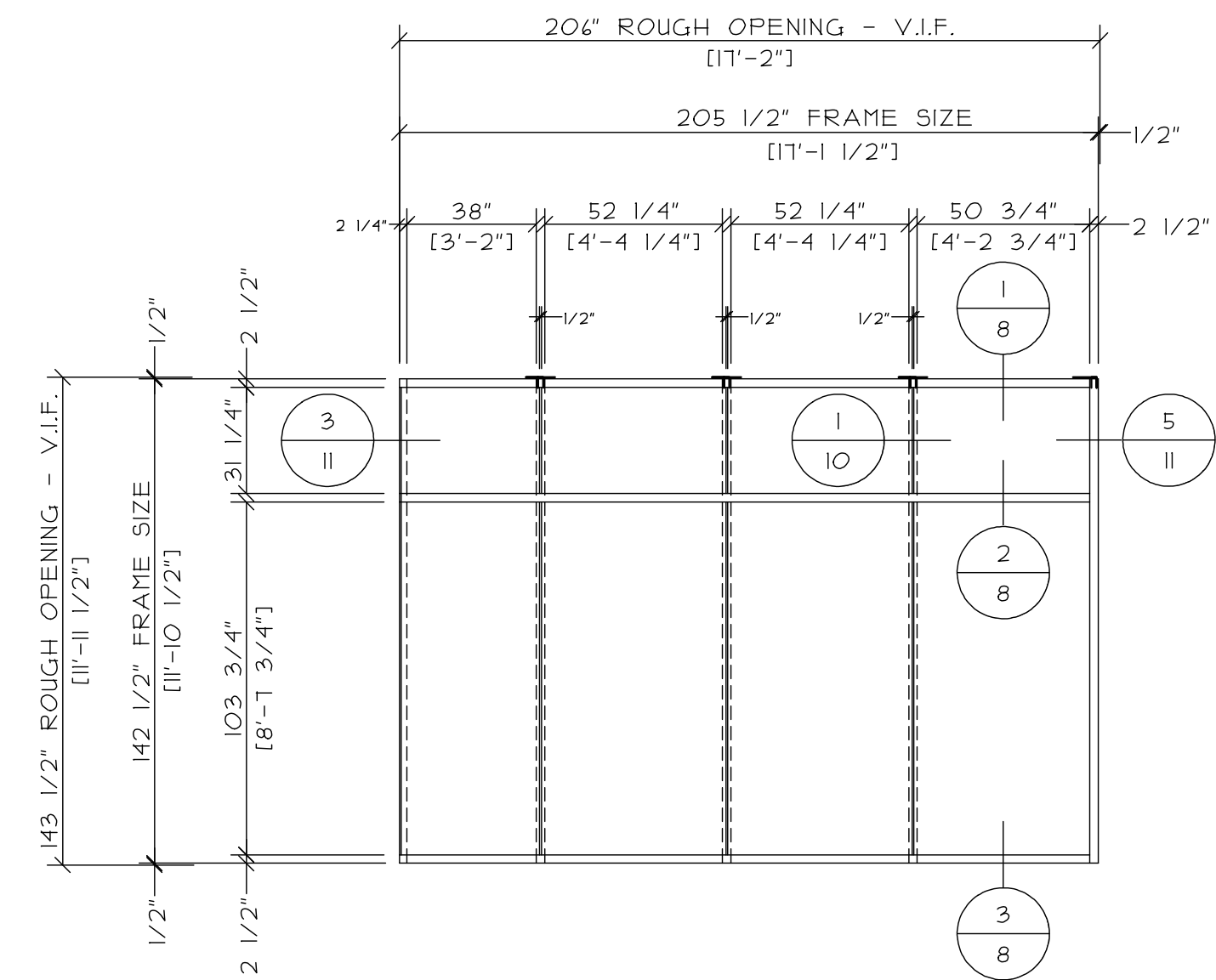
| | |
|------------|----------------------|
| ARCHITECT: | SAMPLE SAMPLE SAMPLE |
| | |
| | |
| | |
| | |

| | |
|-----------|----------------------|
| PROJECT: | SAMPLE SAMPLE SAMPLE |
| LOCATION: | SAMPLE SAMPLE SAMPLE |

| | |
|--------|--------------|
| SCALE: | 3/8" = 1'-0" |
| DATE: | SAMPLE |
| DRAWN: | SAMPLE |
| PAGE: | 6 of 15 |



ELEVATION "CW08"
 1 TOTAL
 YCW 150 SSG WITH 35D
 MEDIUM STILE DOOR
 DOOR #404



ELEVATION "CW09"
 1 TOTAL
 YCW 150 SSG

LL LL - DENOTES LOCATION OF "F" & "T" ANCHORS. SEE DETAILS ON PAGE 15.

| | |
|------------|-------|
| REVISIONS: | DATE: |
| | |
| | |
| | |

| | |
|---------------------|----------------------|
| GLAZING CONTRACTOR: | SAMPLE SAMPLE SAMPLE |
| | SAMPLE SAMPLE SAMPLE |
| | SAMPLE SAMPLE SAMPLE |
| | SAMPLE SAMPLE SAMPLE |

| | |
|------------|----------------------|
| ARCHITECT: | SAMPLE SAMPLE SAMPLE |
| | SAMPLE SAMPLE SAMPLE |
| | SAMPLE SAMPLE SAMPLE |
| | SAMPLE SAMPLE SAMPLE |

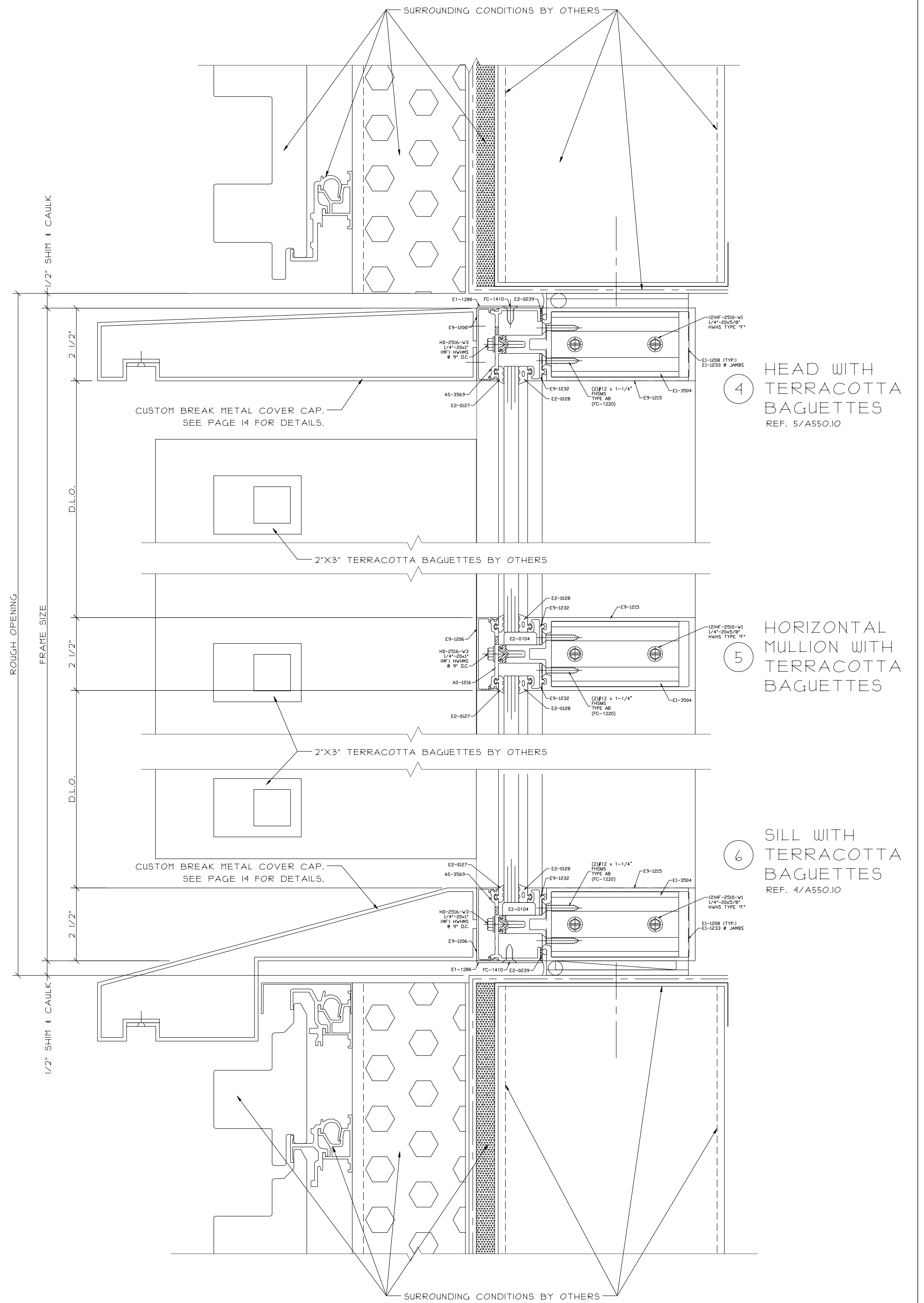
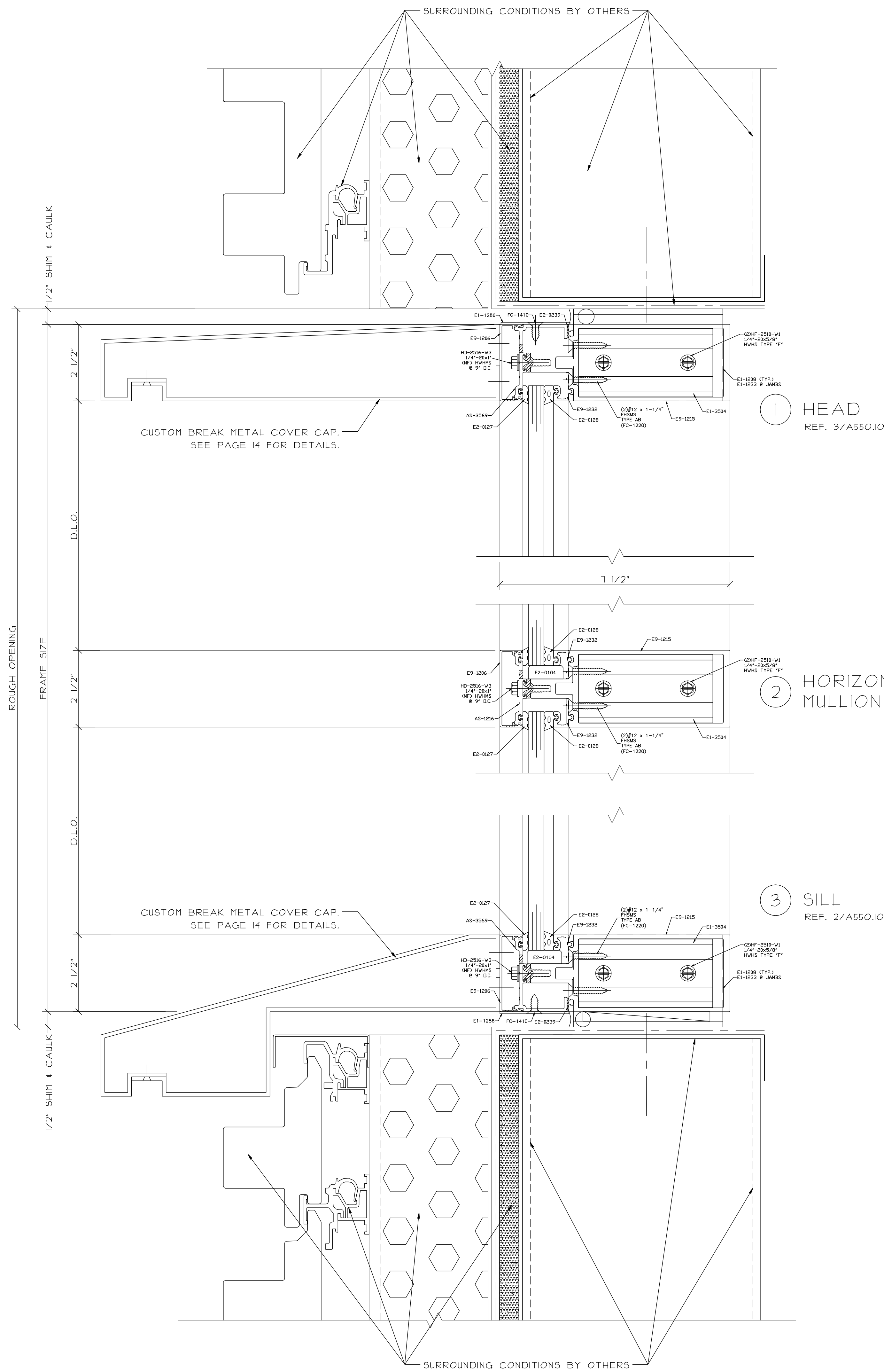
| | |
|-----------|----------------------|
| PROJECT: | SAMPLE SAMPLE SAMPLE |
| LOCATION: | SAMPLE SAMPLE SAMPLE |

SCALE:
 1/4" = 1'-0"

DATE:
 SAMPLE

DRAWN:
 SAMPLE

PAGE:
 7 of 15

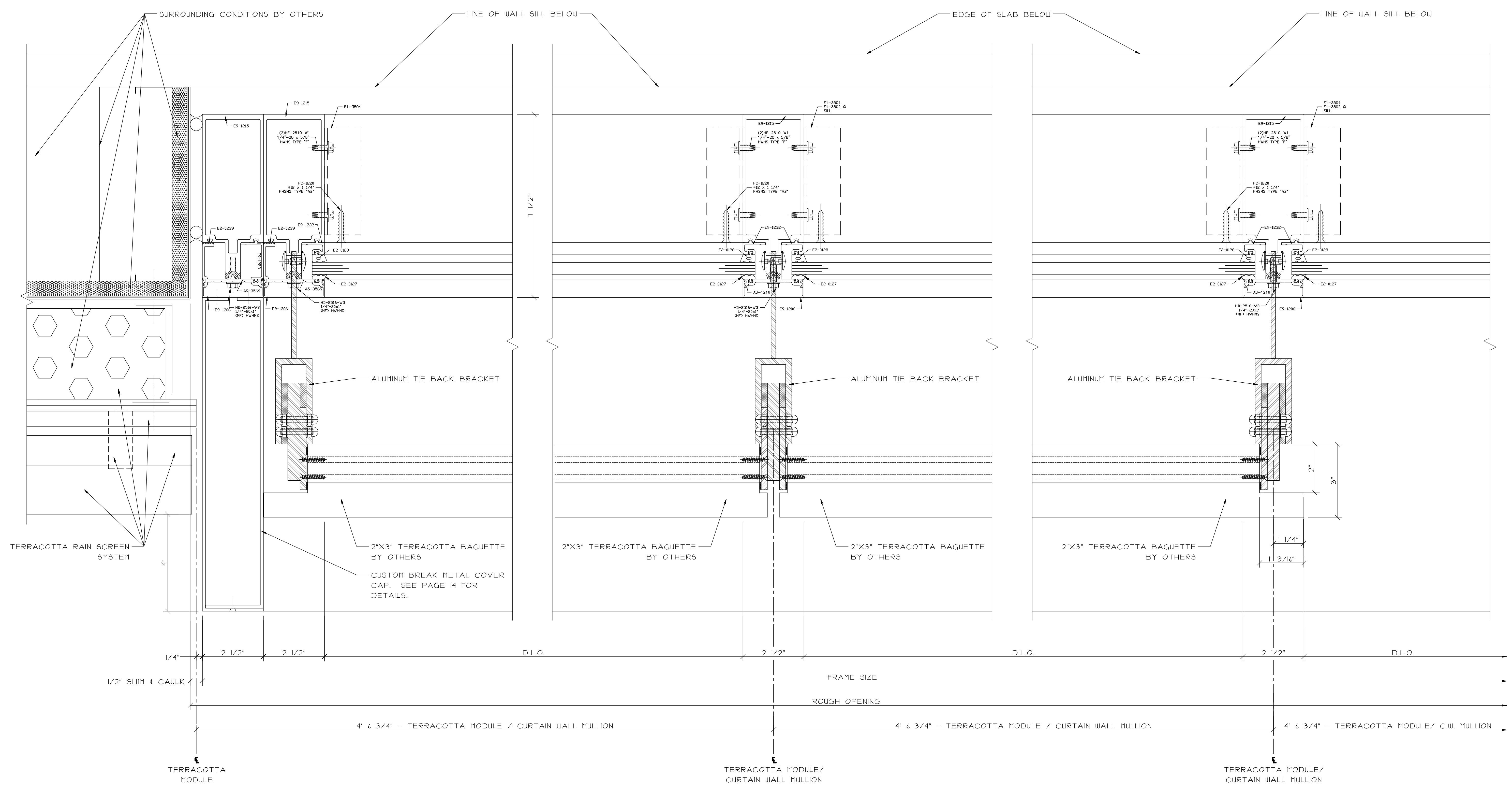


| | |
|---------------------|----------------------|
| PROJECT: | SAMPLE SAMPLE SAMPLE |
| LOCATION: | SAMPLE SAMPLE SAMPLE |
| GLAZING CONTRACTOR: | SAMPLE SAMPLE SAMPLE |
| ARCHITECT: | SAMPLE SAMPLE SAMPLE |
| REVISIONS: | |
| DATE: | |
| SCALE: | 6" = 1'-0" |
| DATE: | SAMPLE |
| DRAWN: | SAMPLE |
| PAGE: | 8 of 15 |

1 JAMB WITH TERRACOTTA BAGUETTE
REF. 5/A455.10

2 VERTICAL MULLION WITH TERRACOTTA BAGUETTES
REF. 4/A455.10

3 VERTICAL MULLION WITH TERRACOTTA BAGUETTE
REF. 3/A455.10



| | |
|------------|-------|
| REVISIONS: | DATE: |
| | |
| | |
| | |
| | |

| | |
|---------------------|--------|
| GLAZING CONTRACTOR: | SAMPLE |
| | SAMPLE |
| | SAMPLE |
| | SAMPLE |
| | SAMPLE |

| | |
|------------|--------|
| ARCHITECT: | SAMPLE |
| | SAMPLE |
| | SAMPLE |
| | SAMPLE |
| | SAMPLE |

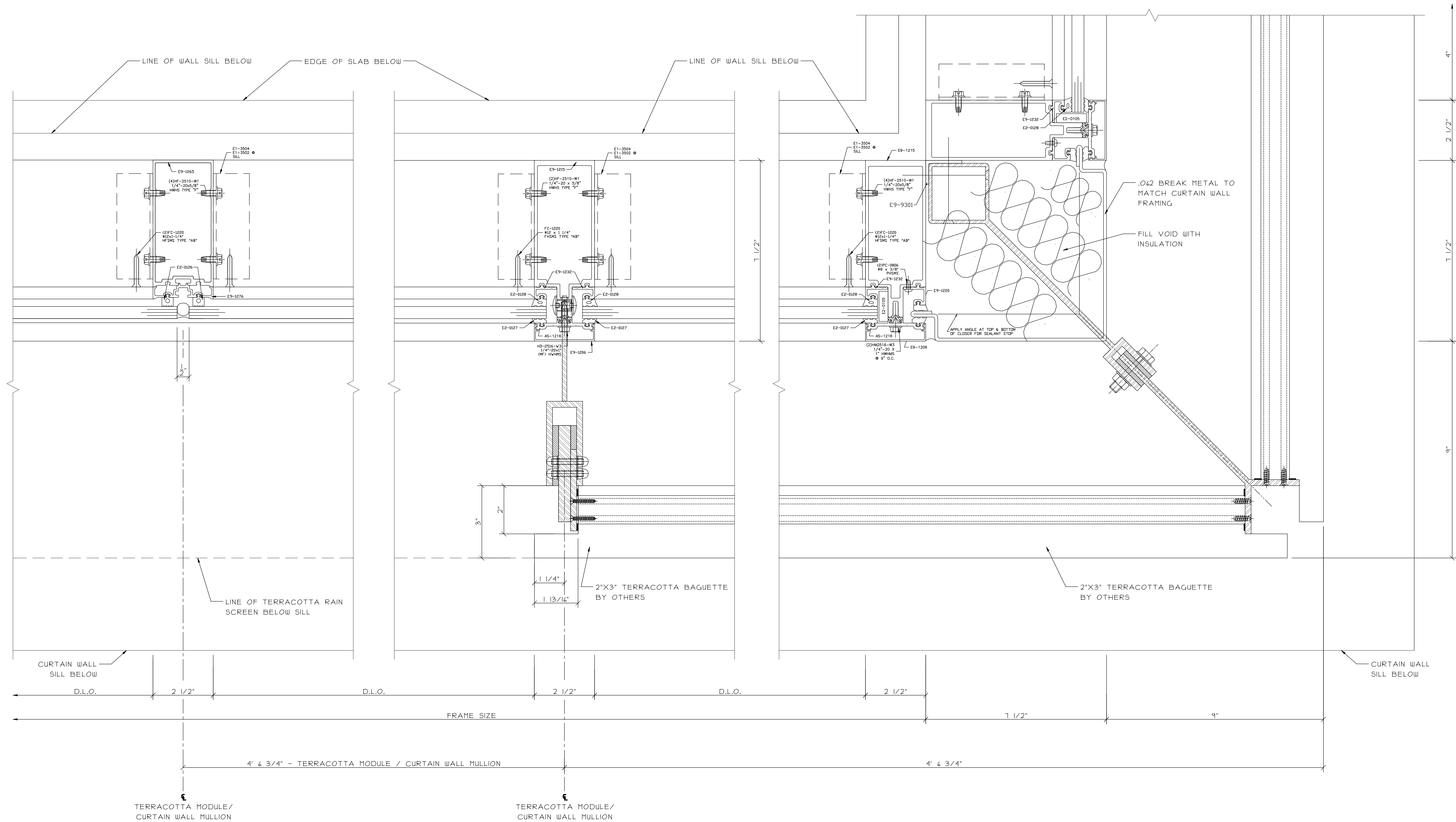
| | |
|-----------|--------|
| PROJECT: | SAMPLE |
| | SAMPLE |
| | SAMPLE |
| | SAMPLE |
| | SAMPLE |
| LOCATION: | SAMPLE |
| | SAMPLE |
| | SAMPLE |
| | SAMPLE |

| | |
|--------|------------|
| SCALE: | 6" = 1'-0" |
| DATE: | SAMPLE |
| DRAWN: | SAMPLE |
| PAGE: | 9 of 15 |

① SSG VERTICAL MULLION
REF. 2/A655.10

② VERTICAL MULLION WITH TERRACOTTA BAGUETTE
REF. 1/A655.10

③ CORNER WITH TERRACOTTA BAGUETTES
REF. 1/A655.10



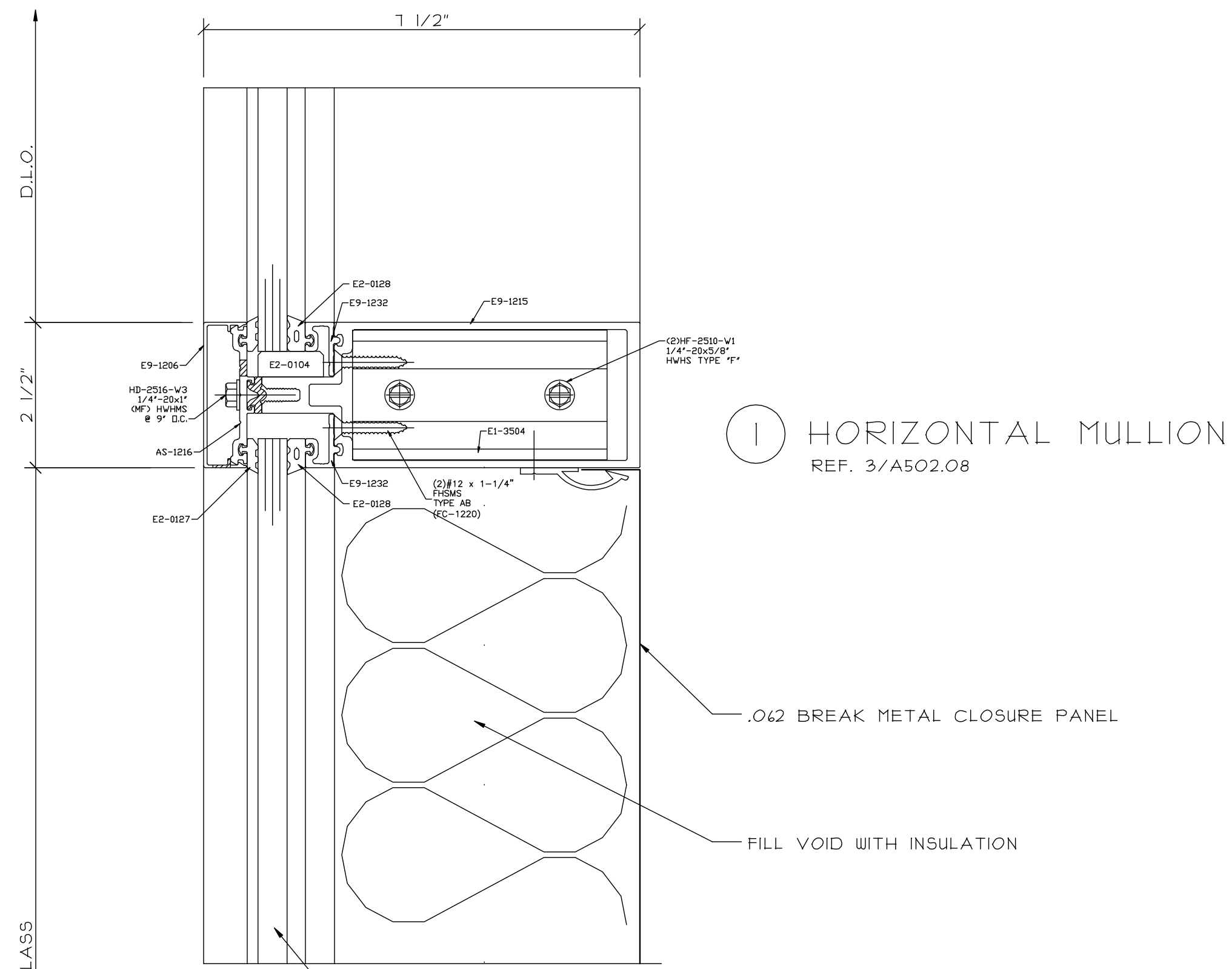
| | |
|------------|-------|
| REVISIONS: | DATE: |
| | |
| | |
| | |
| | |

| | |
|---------------------|--------|
| GLAZING CONTRACTOR: | SAMPLE |
| | SAMPLE |
| | SAMPLE |
| | SAMPLE |
| | SAMPLE |

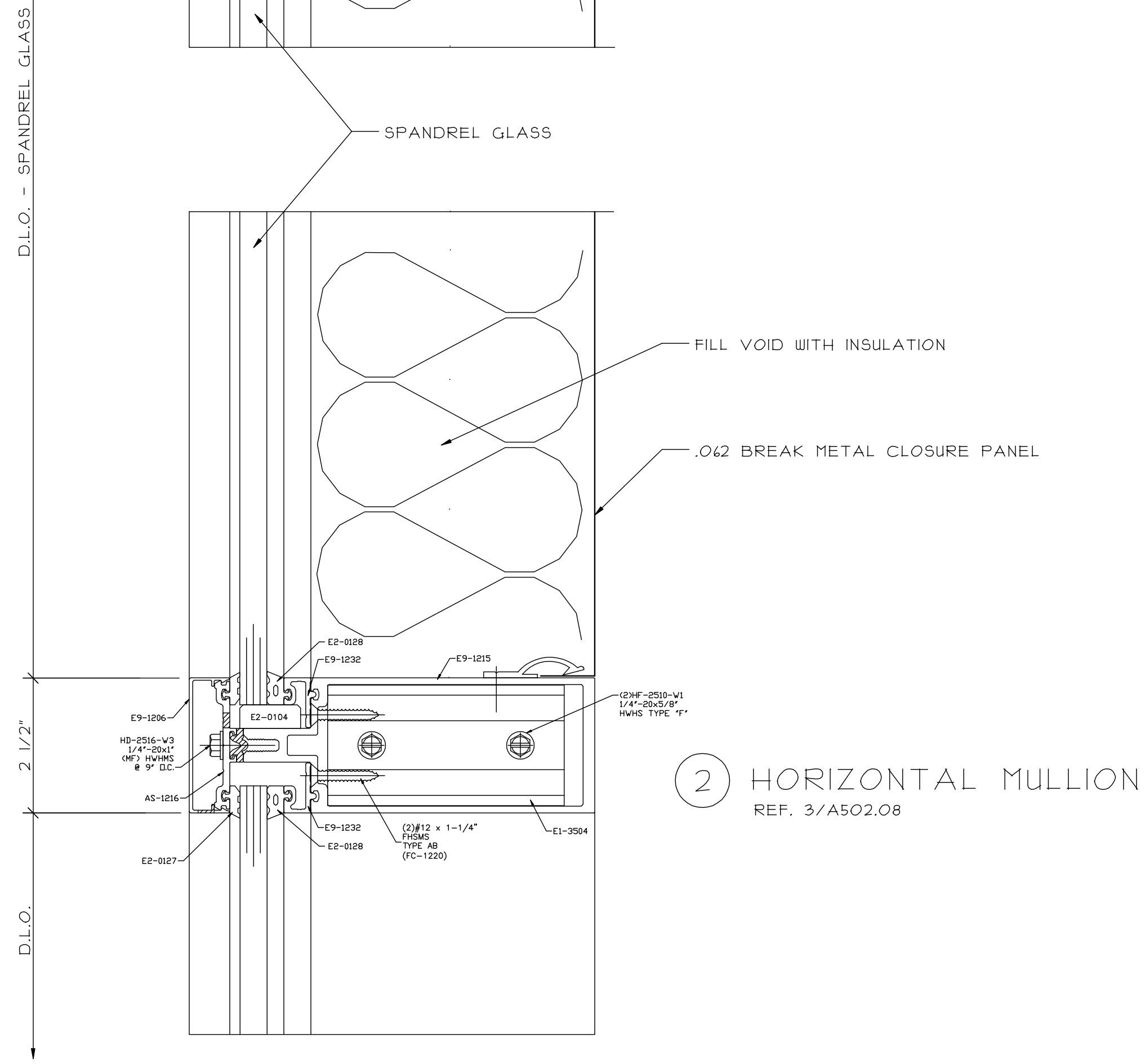
| | |
|------------|--------|
| ARCHITECT: | SAMPLE |
| | SAMPLE |
| | SAMPLE |
| | SAMPLE |
| | SAMPLE |

| | |
|-----------|--------|
| PROJECT: | SAMPLE |
| | SAMPLE |
| | SAMPLE |
| | SAMPLE |
| | SAMPLE |
| LOCATION: | SAMPLE |
| | SAMPLE |
| | SAMPLE |
| | SAMPLE |

| | |
|--------|------------|
| SCALE: | 6" = 1'-0" |
| DATE: | SAMPLE |
| DRAWN: | SAMPLE |
| PAGE: | 10 of 15 |

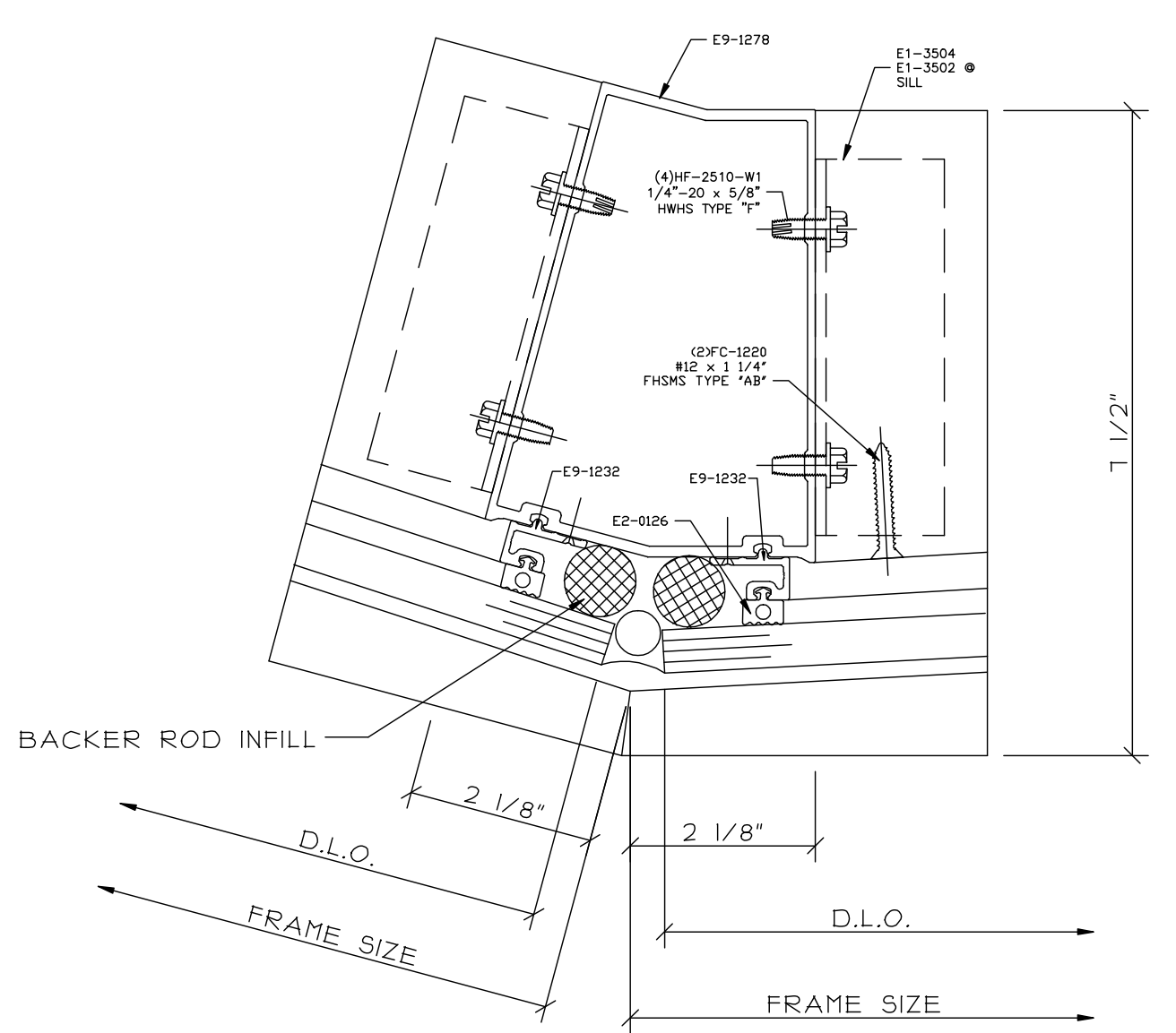


① HORIZONTAL MULLION
REF. 3/A502.08



② HORIZONTAL MULLION
REF. 3/A502.08

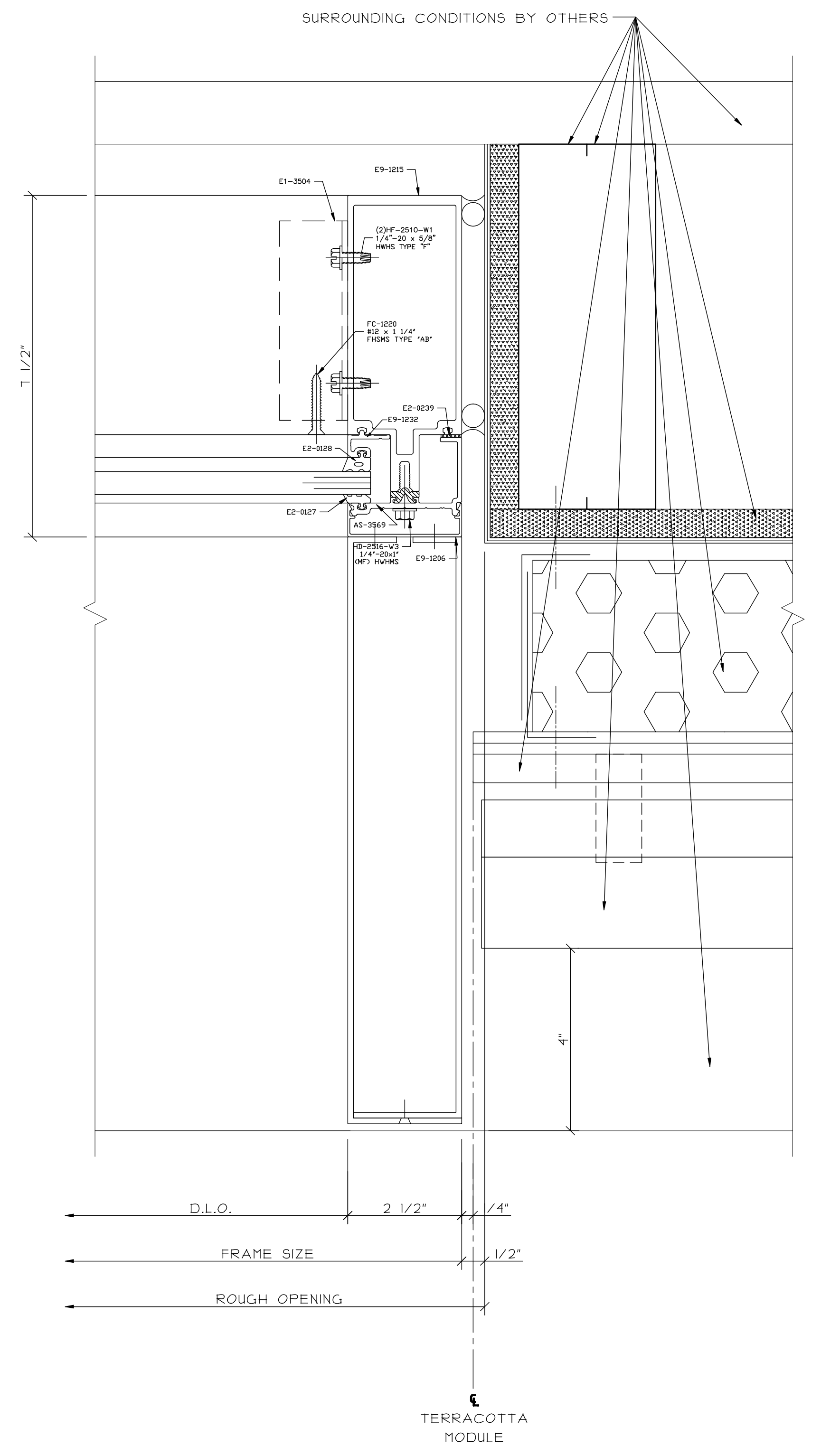
③ SPLAYED MULLION
REF. 2/A440.10



④ JAMB AT POINT SUPPORT GLAZING

TO BE
DETERMINED

⑤ JAMB
REF. 8/A655.10



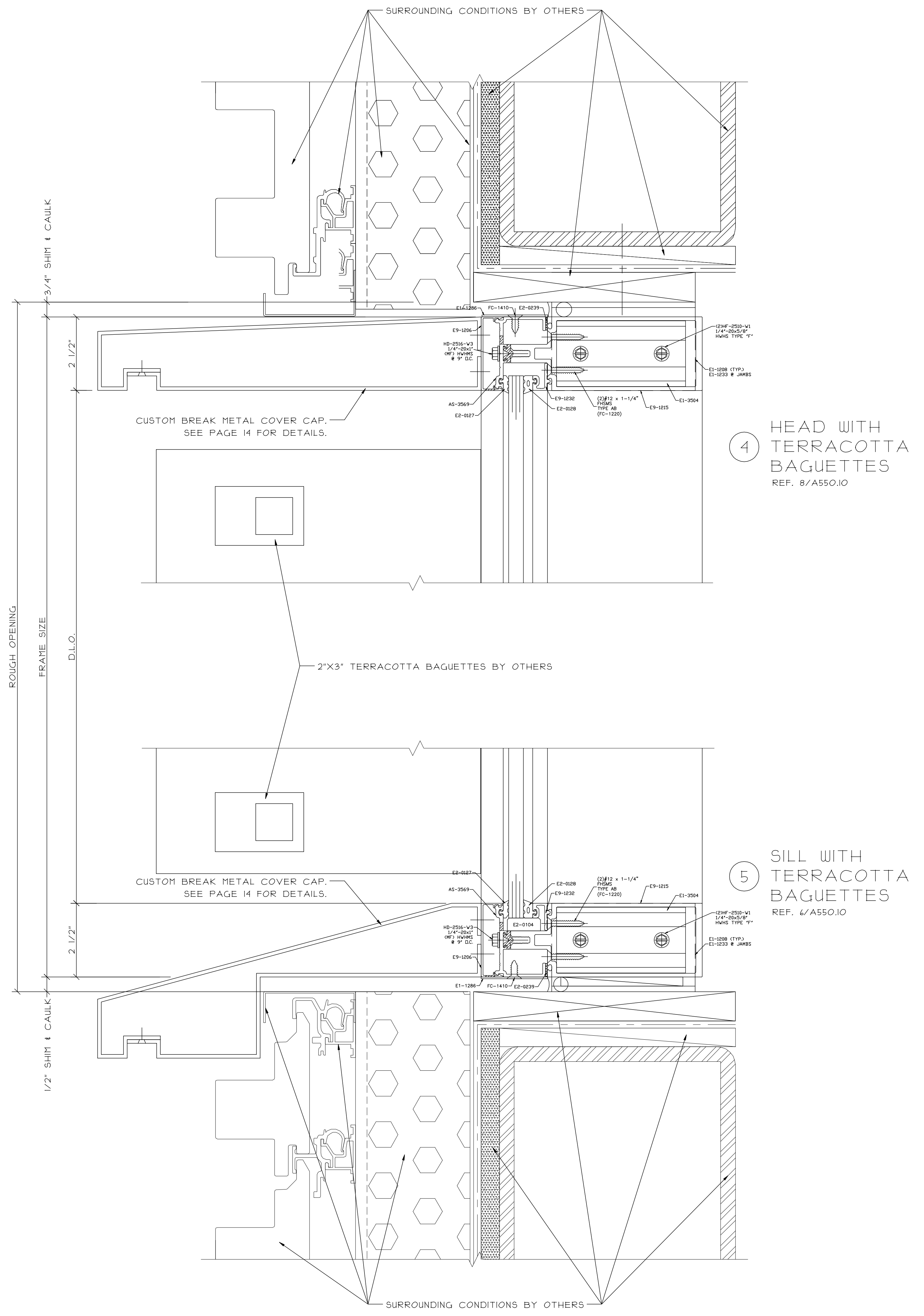
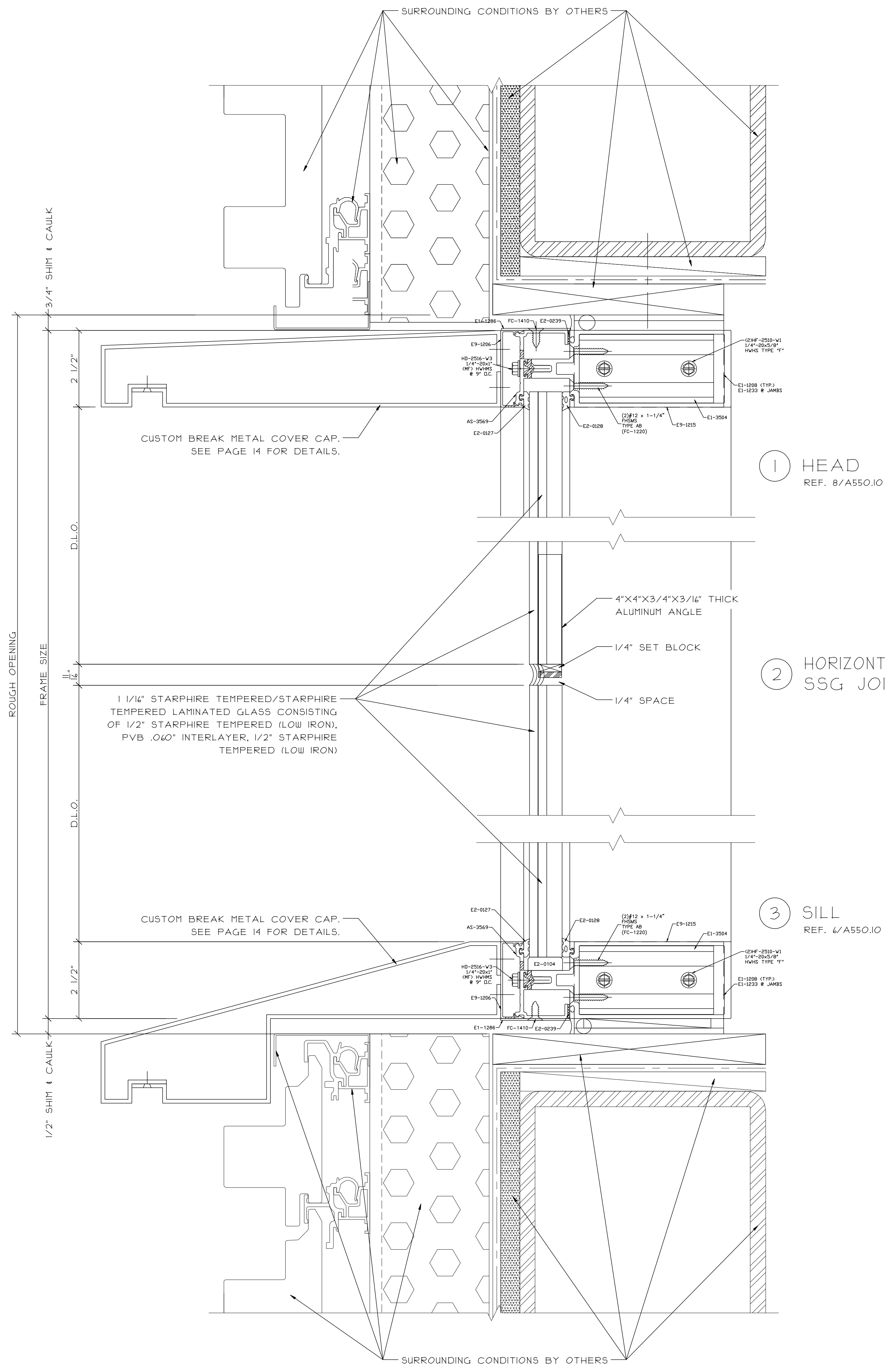
| | |
|------------|-------|
| REVISIONS: | DATE: |
| | |
| | |
| | |
| | |

| | | | |
|---------------------|--------|--------|--------|
| GLAZING CONTRACTOR: | SAMPLE | SAMPLE | SAMPLE |
| | SAMPLE | SAMPLE | SAMPLE |
| | SAMPLE | SAMPLE | SAMPLE |
| | SAMPLE | SAMPLE | SAMPLE |
| | SAMPLE | SAMPLE | SAMPLE |

| | | | |
|------------|--------|--------|--------|
| ARCHITECT: | SAMPLE | SAMPLE | SAMPLE |
| | SAMPLE | SAMPLE | SAMPLE |
| | SAMPLE | SAMPLE | SAMPLE |
| | SAMPLE | SAMPLE | SAMPLE |
| | SAMPLE | SAMPLE | SAMPLE |

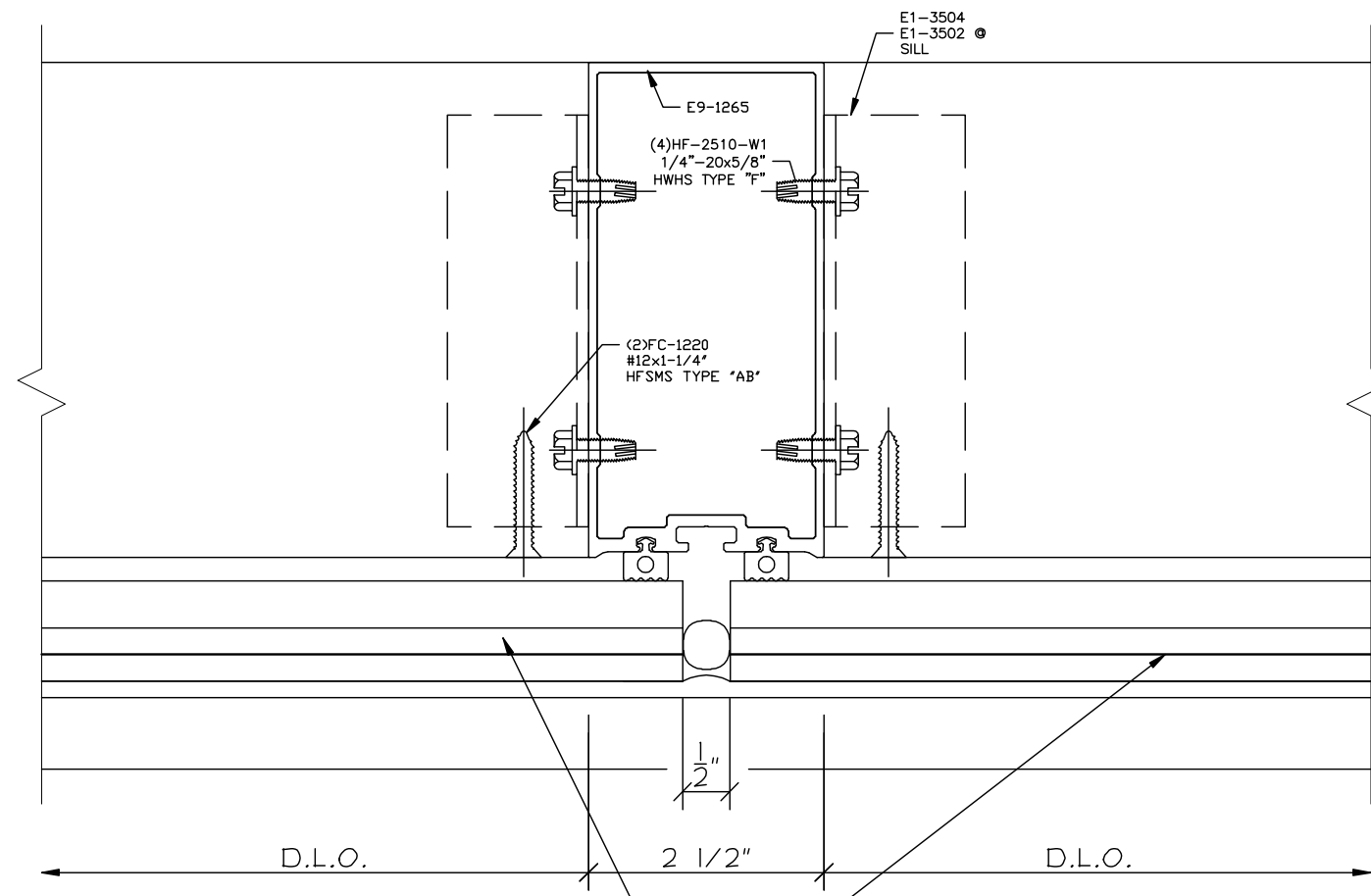
| | | | |
|-----------|--------|--------|--------|
| PROJECT: | SAMPLE | SAMPLE | SAMPLE |
| LOCATION: | SAMPLE | SAMPLE | SAMPLE |

| | |
|--------|------------|
| SCALE: | 6" = 1'-0" |
| DATE: | SAMPLE |
| DRAWN: | SAMPLE |
| PAGE: | 11 of 15 |



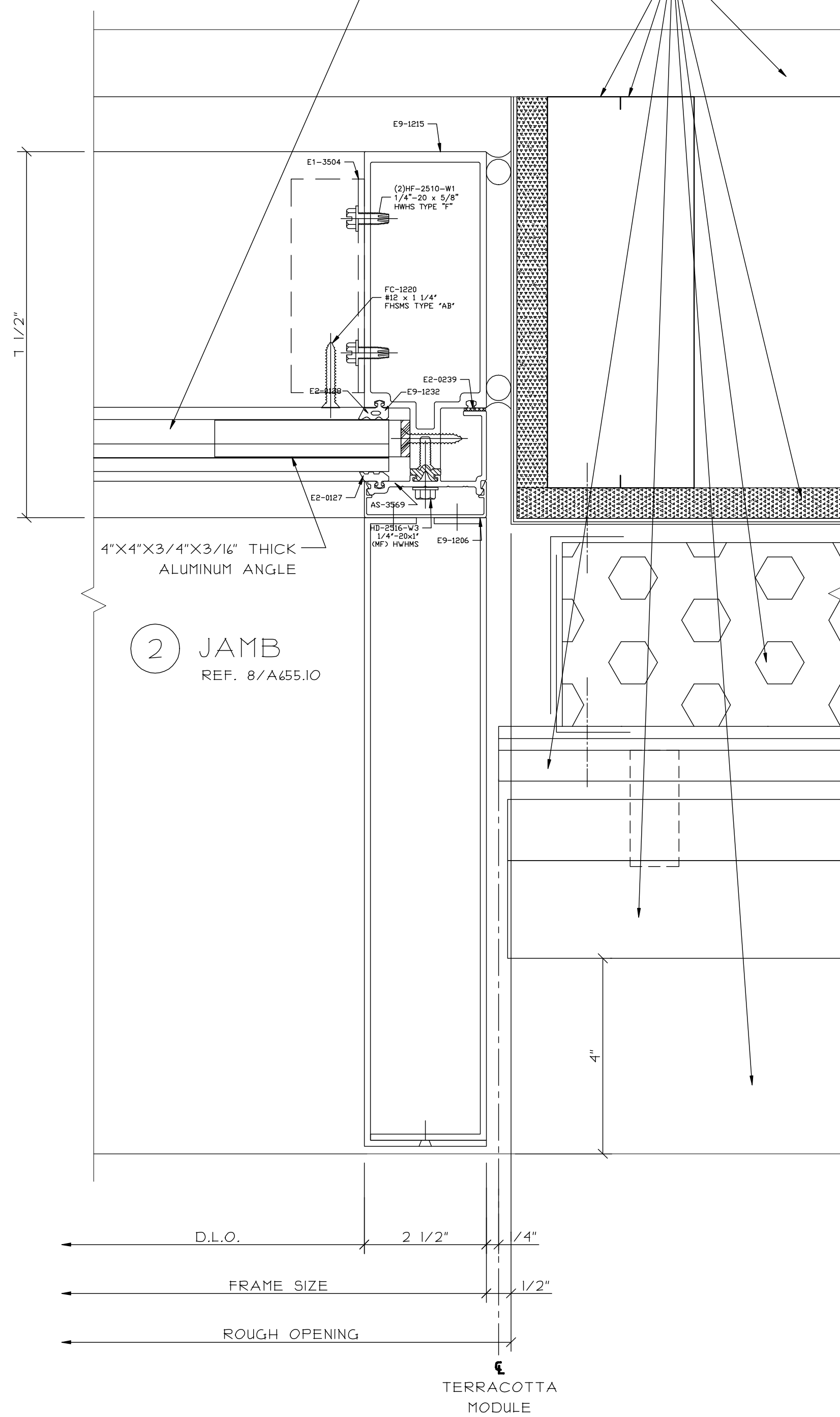
| | |
|---------------------|----------------------|
| PROJECT: | SAMPLE SAMPLE SAMPLE |
| LOCATION: | SAMPLE SAMPLE SAMPLE |
| SCALE: | 6" = 1'-0" |
| DATE: | SAMPLE |
| DRAWN: | SAMPLE |
| PAGE: | 12 of 15 |
| GLAZING CONTRACTOR: | SAMPLE SAMPLE SAMPLE |
| ARCHITECT: | SAMPLE SAMPLE SAMPLE |
| REVISIONS: | |
| DATE: | |

① SSG VERTICAL MULLION
REF. 2/A&55.10



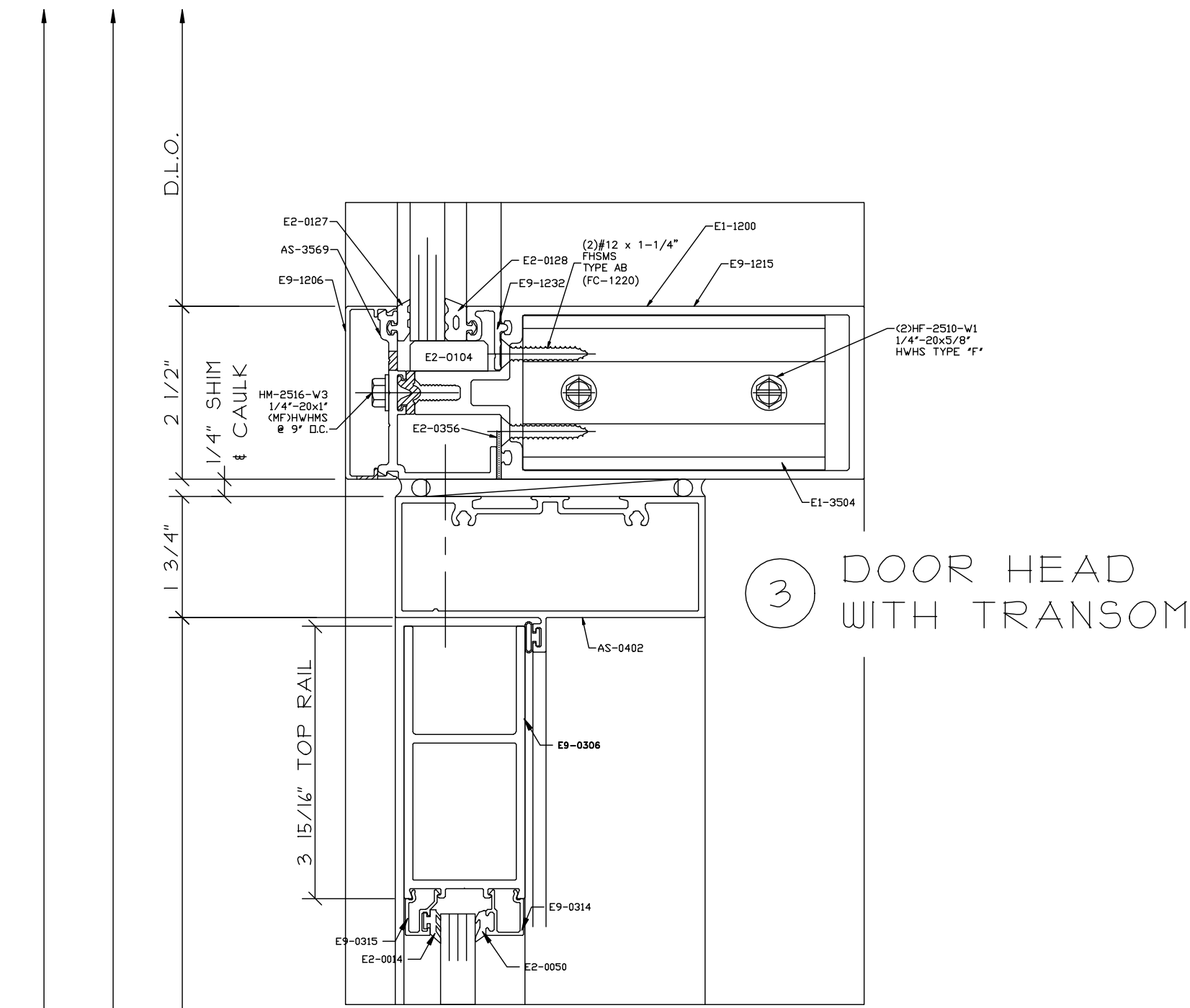
1 1/16" STARPHIRE TEMPERED/STARPHIRE TEMPERED LAMINATED GLASS CONSISTING OF 1/2" STARPHIRE TEMPERED (LOW IRON), PVB .060" INTERLAYER, 1/2" STARPHIRE TEMPERED (LOW IRON)

SURROUNDING CONDITIONS BY OTHERS



② JAMB
REF. 8/A&55.10

TERRACOTTA MODULE

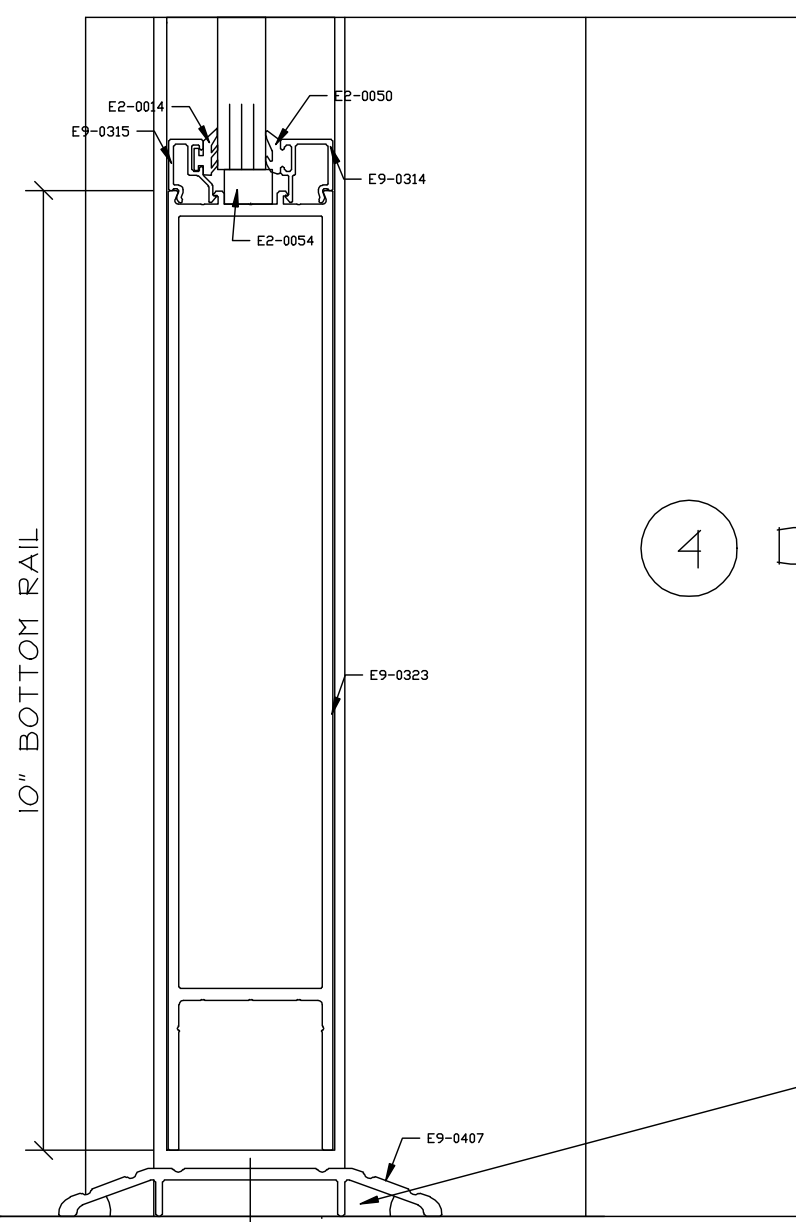


③ DOOR HEAD WITH TRANSOM

ROUGH OPENING

FRAME SIZE

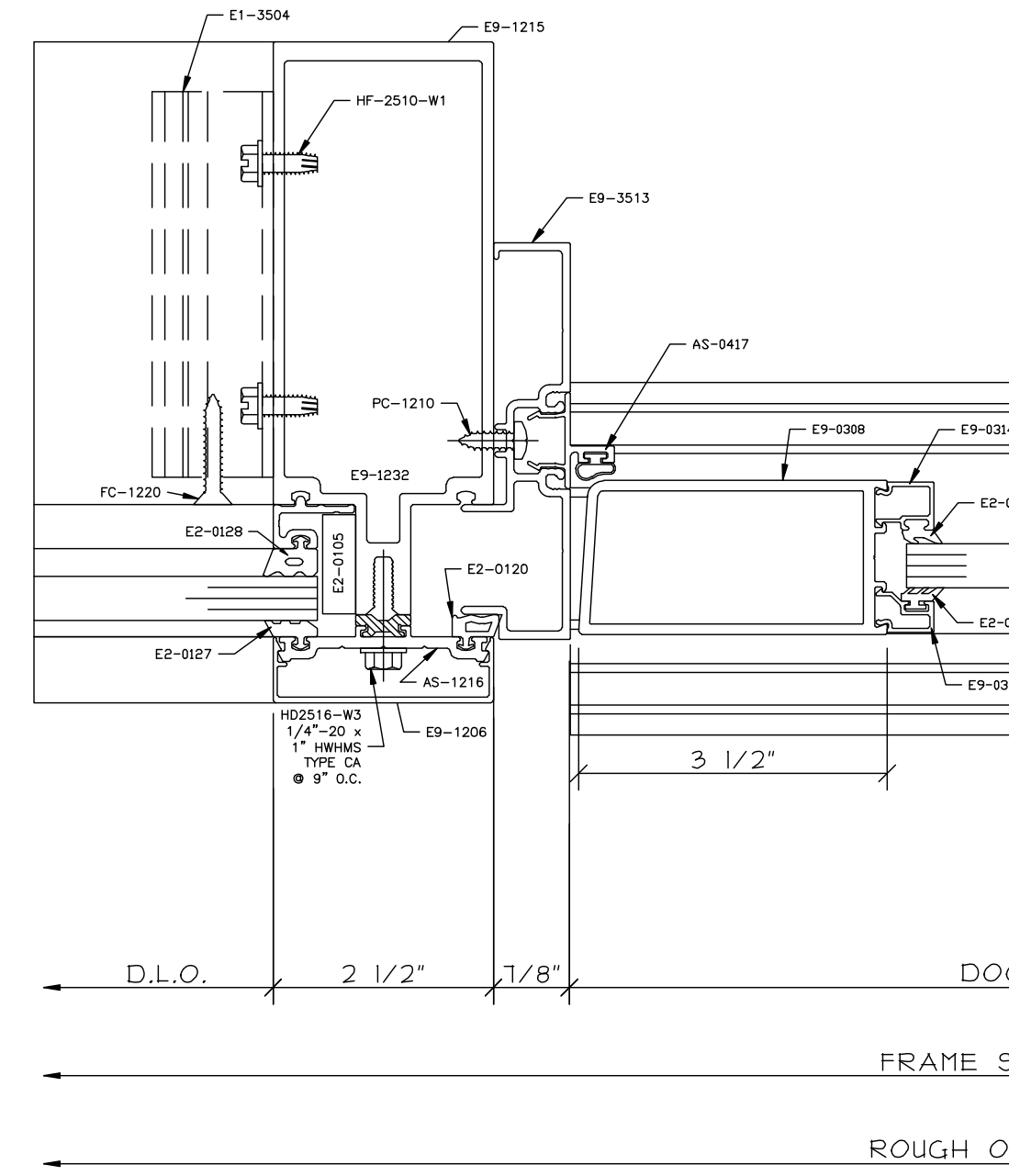
DOOR OPENING



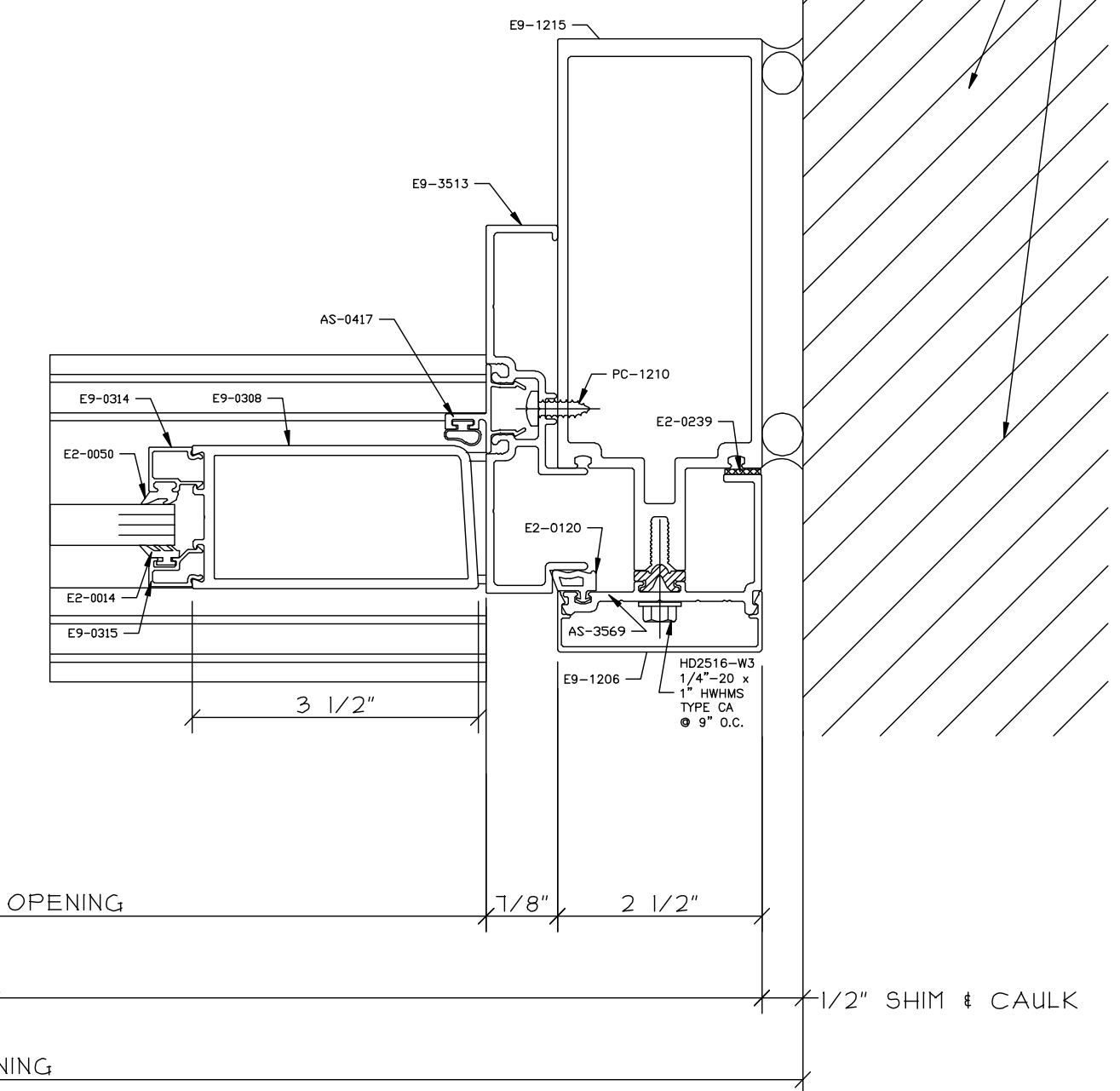
④ DOOR BOTTOM

BED ALL THRESHOLDS IN CONTINUOUS SEALANT

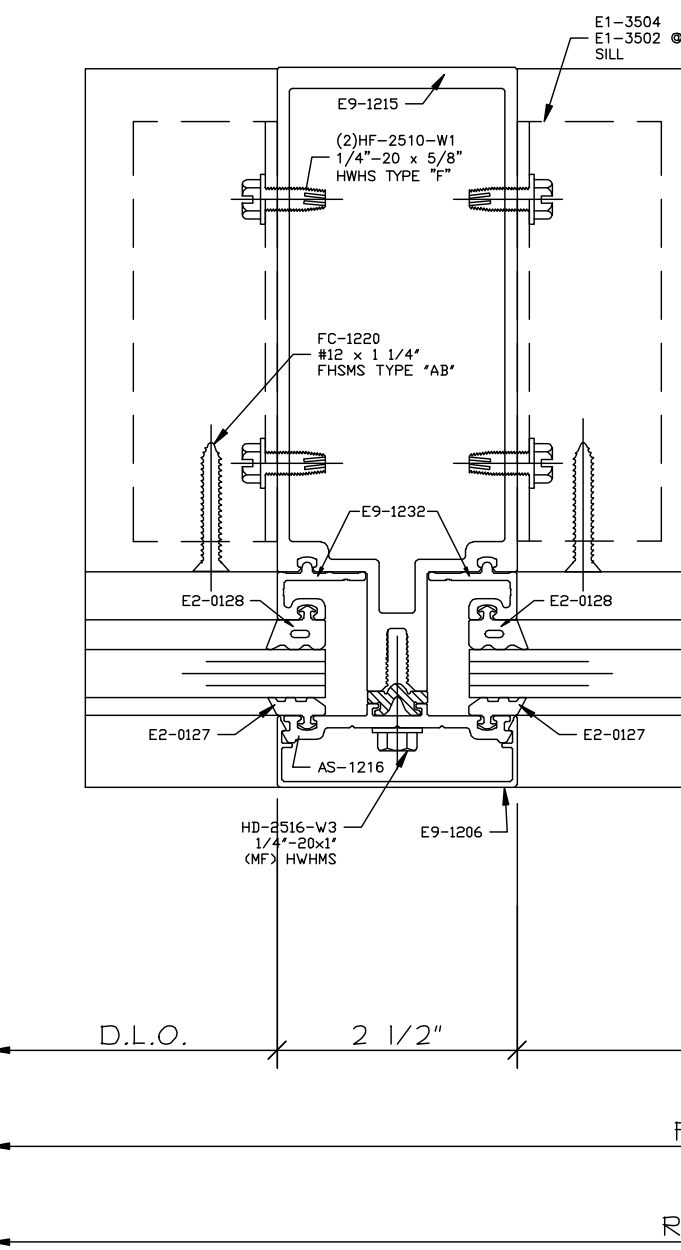
⑤ DOOR JAMB WITH SIDELITE



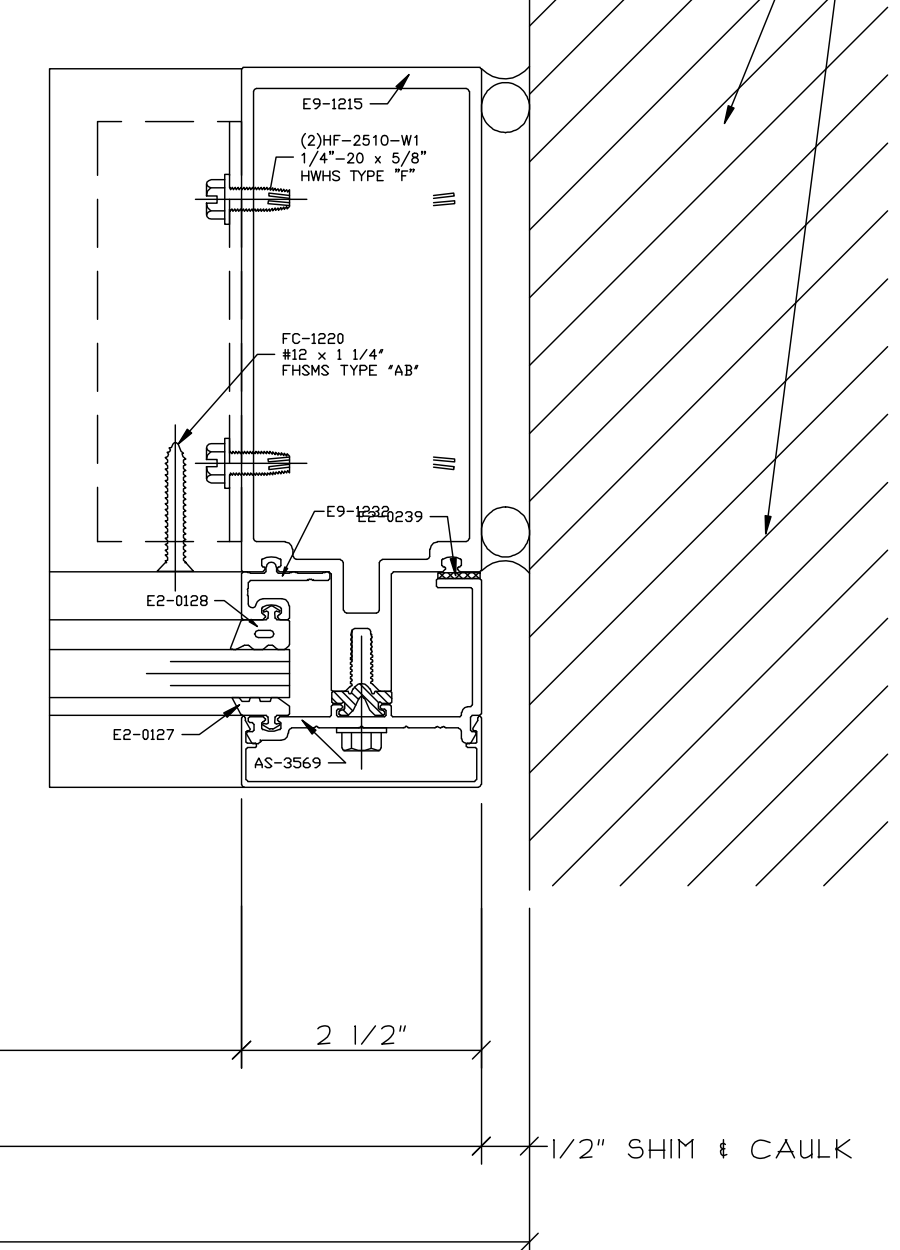
⑥ DOOR JAMB



⑦ VERTICAL MULLION

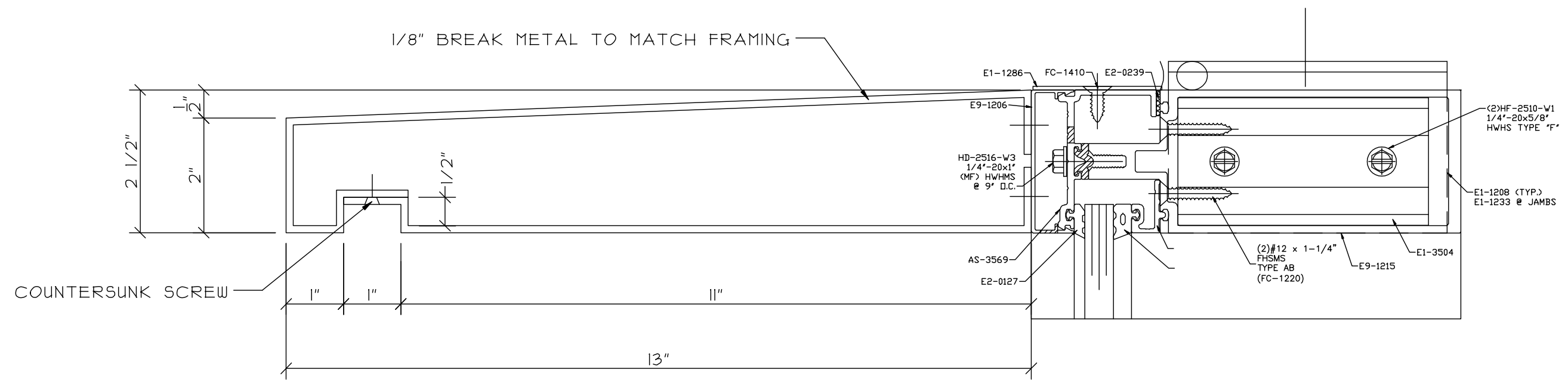


⑧ JAMB

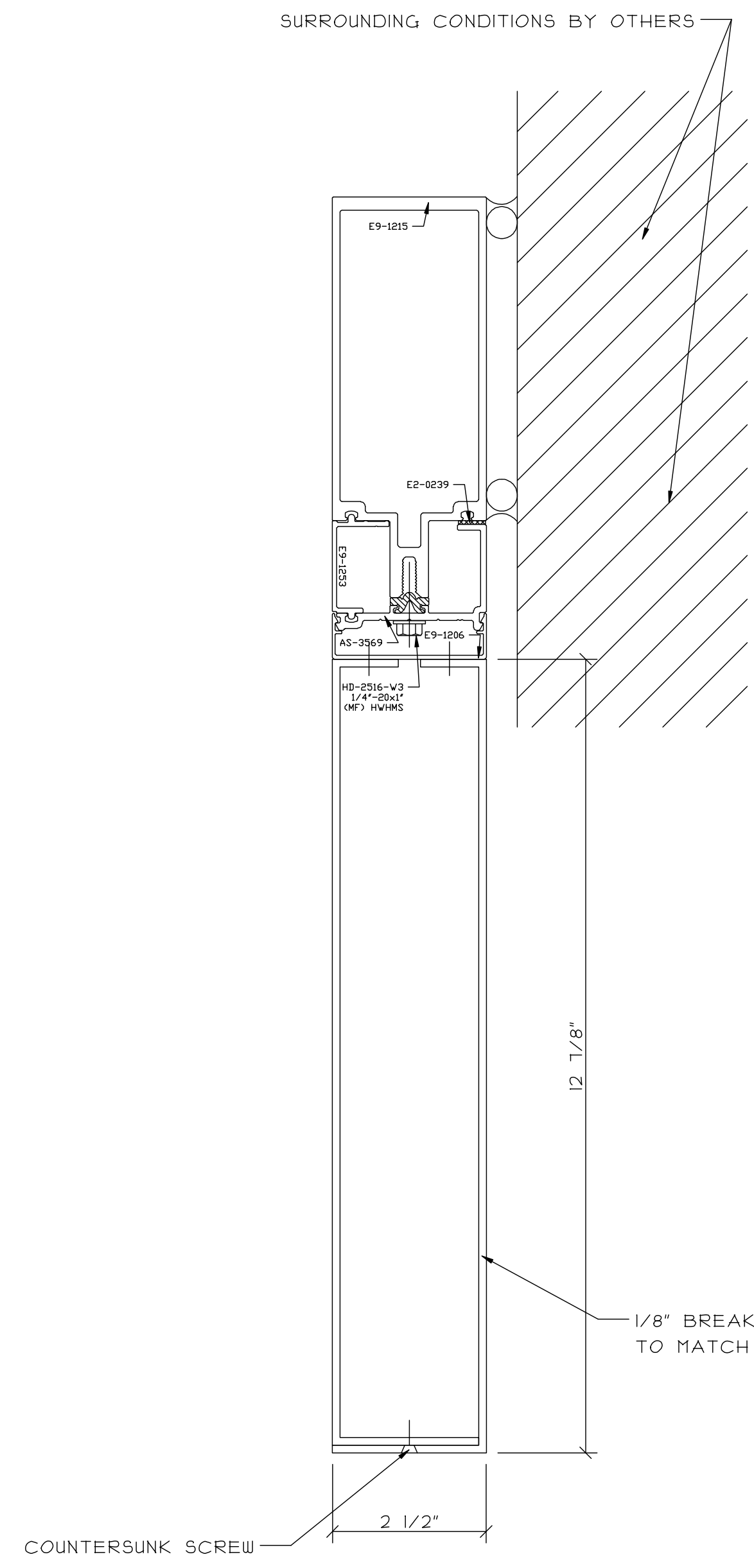


| | |
|---------------------|--|
| PROJECT: | SAMPLE SAMPLE SAMPLE |
| LOCATION: | SAMPLE SAMPLE SAMPLE |
| ARCHITECT: | SAMPLE SAMPLE SAMPLE SAMPLE SAMPLE SAMPLE SAMPLE SAMPLE SAMPLE SAMPLE SAMPLE SAMPLE |
| GLAZING CONTRACTOR: | SAMPLE SAMPLE SAMPLE SAMPLE SAMPLE SAMPLE SAMPLE SAMPLE SAMPLE SAMPLE SAMPLE SAMPLE |
| REVISIONS: | |
| DATE: | |
| SCALE: | 6" = 1'-0" |
| DATE: | SAMPLE |
| DRAWN: | SAMPLE |
| PAGE: | 13 of 15 |

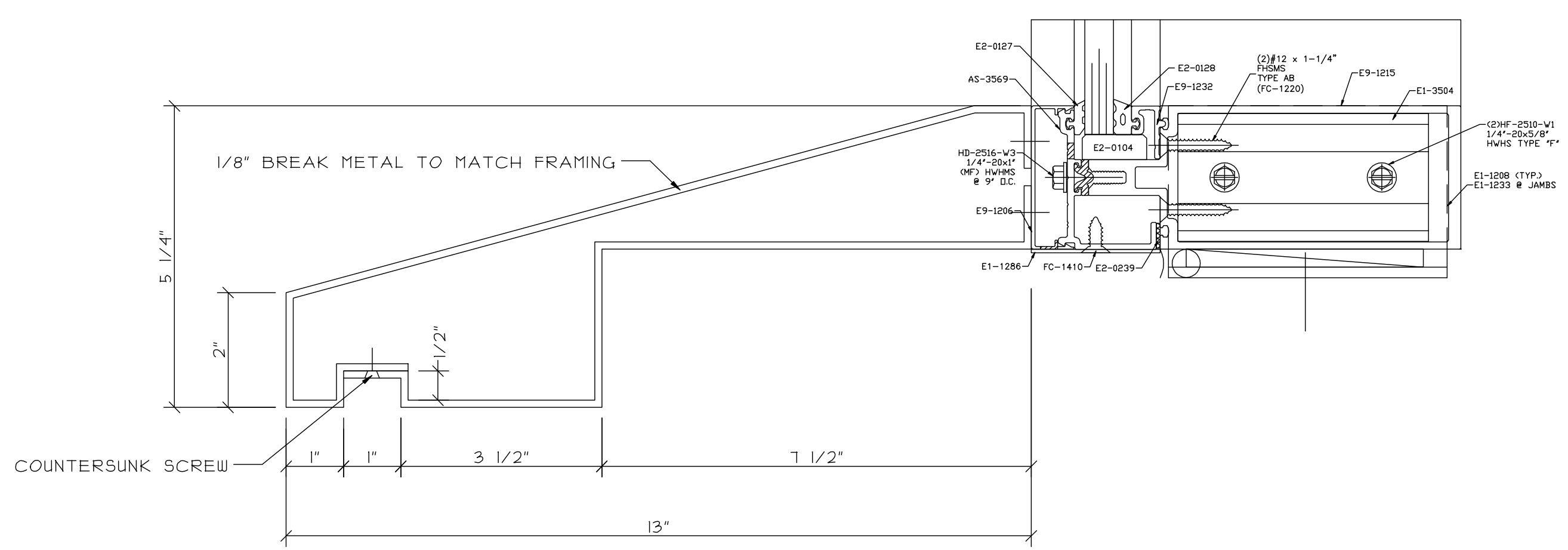
① CUSTOM BREAK METAL COVER CAP AT HEAD



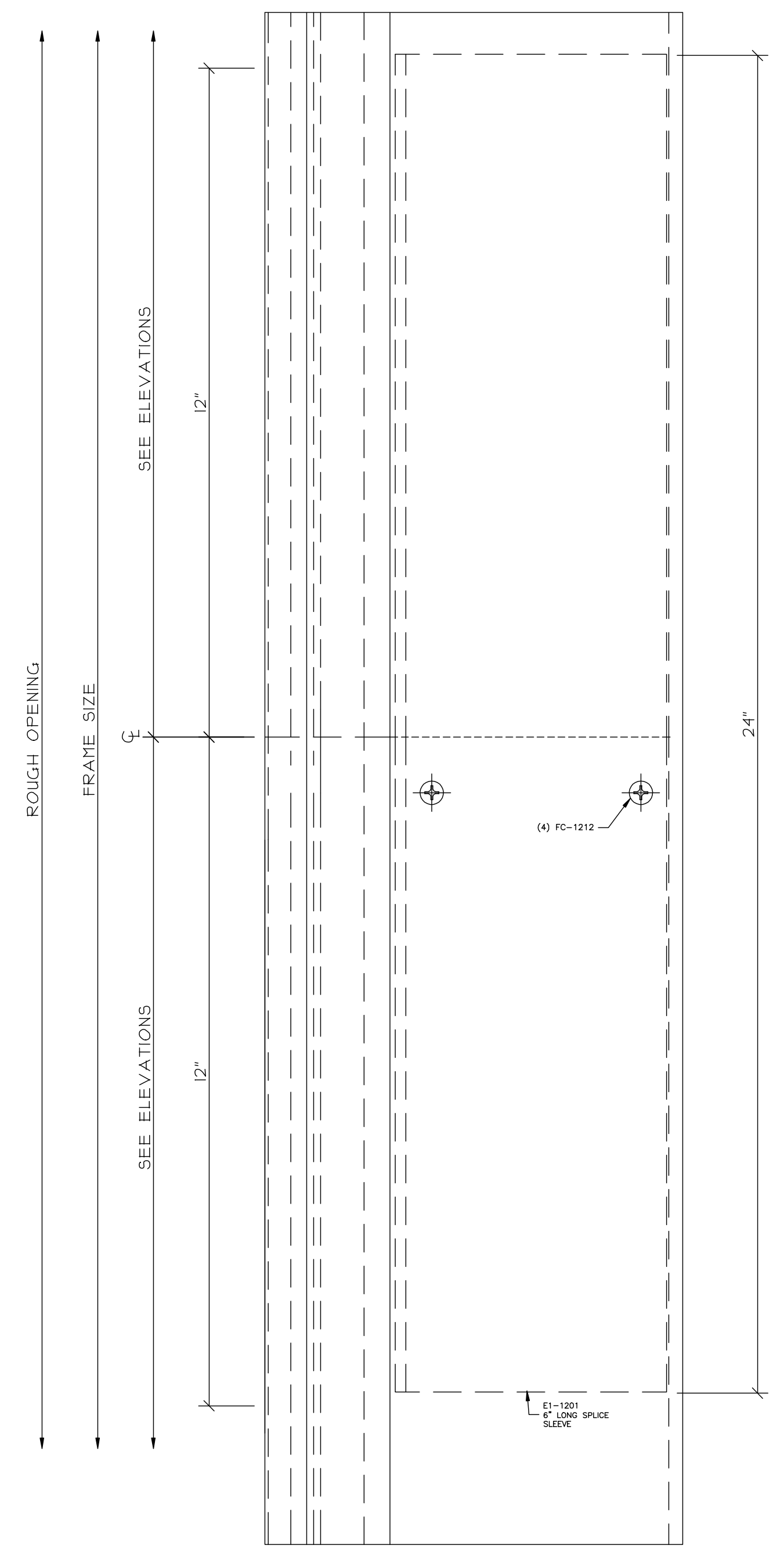
③ CUSTOM BREAK METAL COVER CAP AT JAMB



② CUSTOM BREAK METAL COVER CAP AT SILL



④ HARD SPLICE



| | |
|------------|-------|
| REVISIONS: | DATE: |
| | |
| | |
| | |
| | |

| | |
|---------------------|--------|
| GLAZING CONTRACTOR: | SAMPLE |
| | SAMPLE |
| | SAMPLE |
| | SAMPLE |
| | SAMPLE |

| | |
|------------|--------|
| ARCHITECT: | SAMPLE |
| | SAMPLE |
| | SAMPLE |
| | SAMPLE |
| | SAMPLE |

| | |
|----------|--------|
| PROJECT: | SAMPLE |
| | SAMPLE |
| | SAMPLE |
| | SAMPLE |
| | SAMPLE |

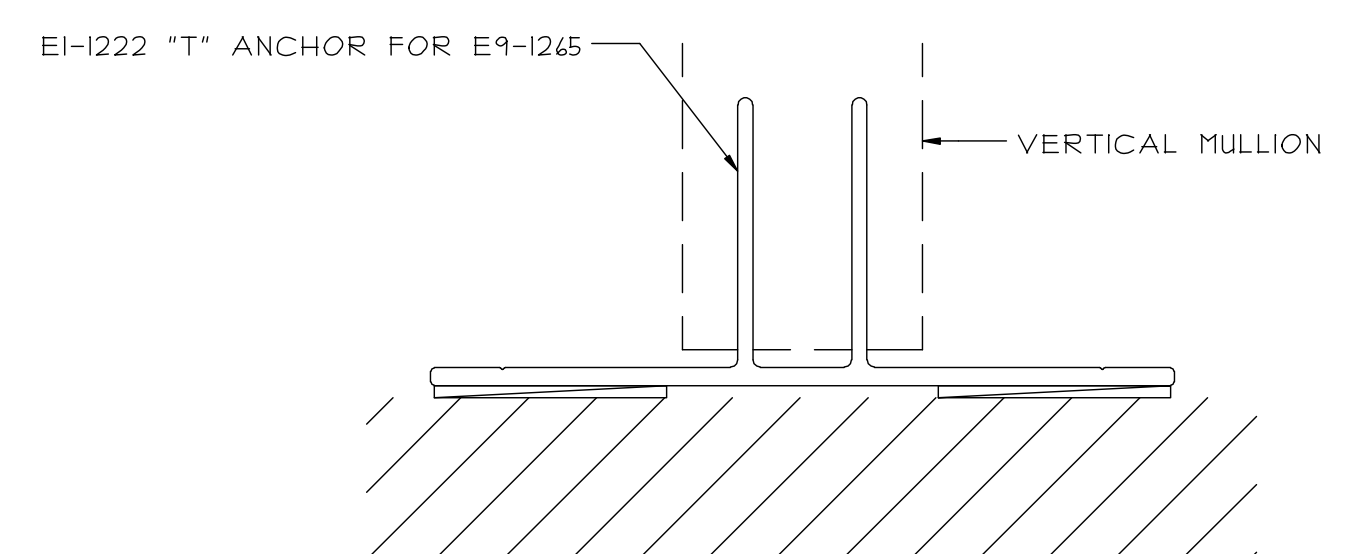
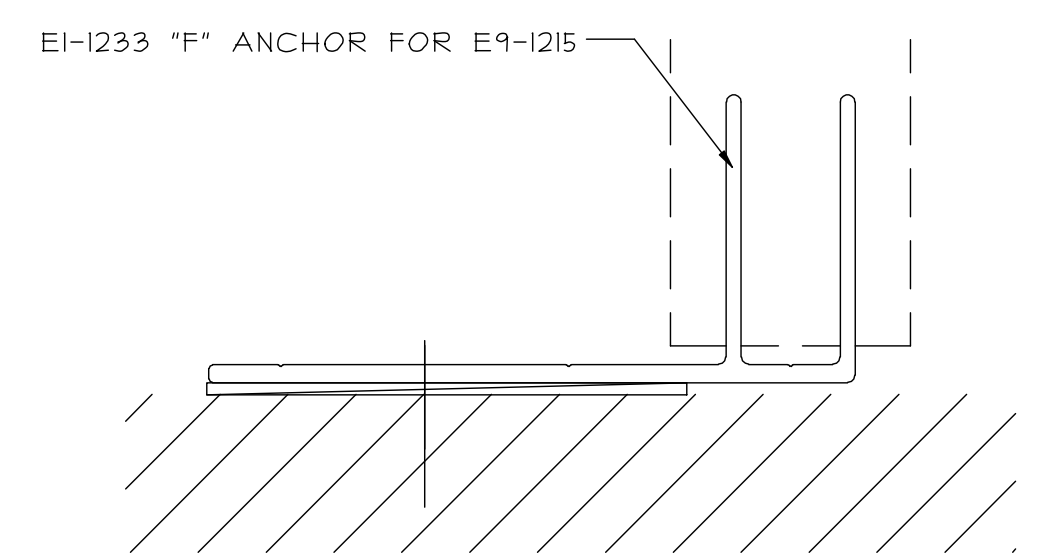
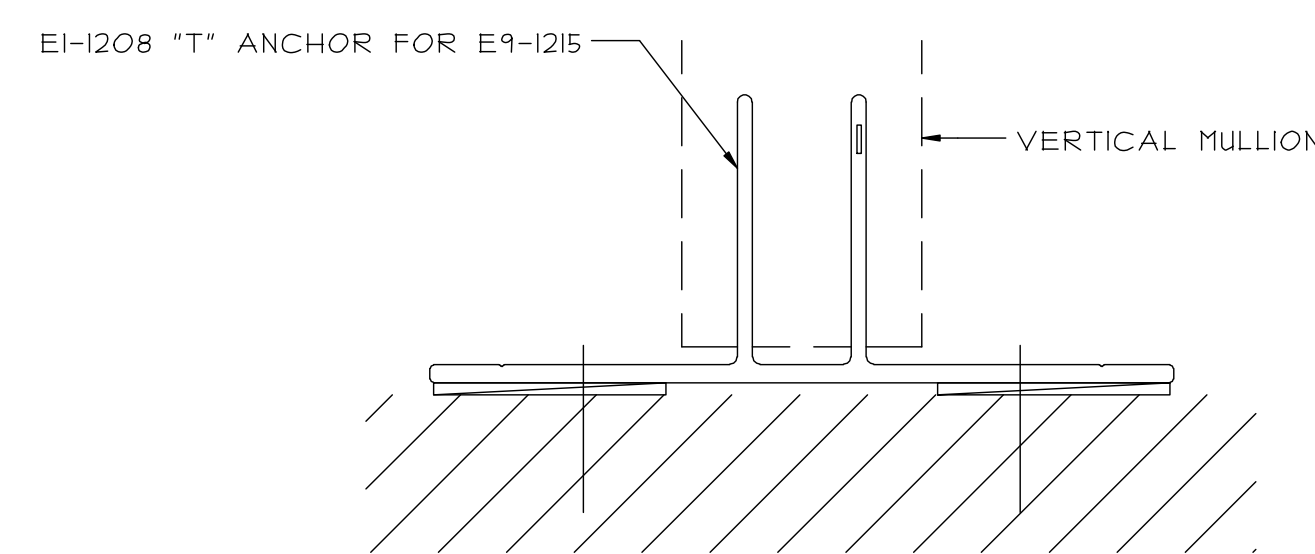
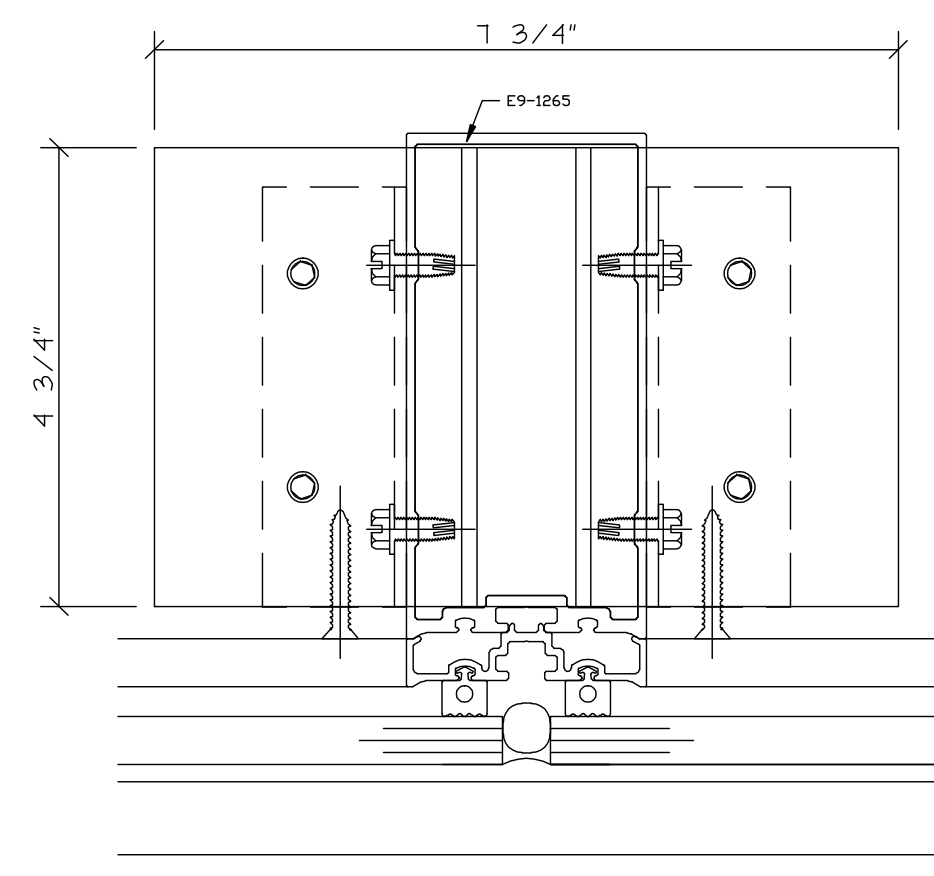
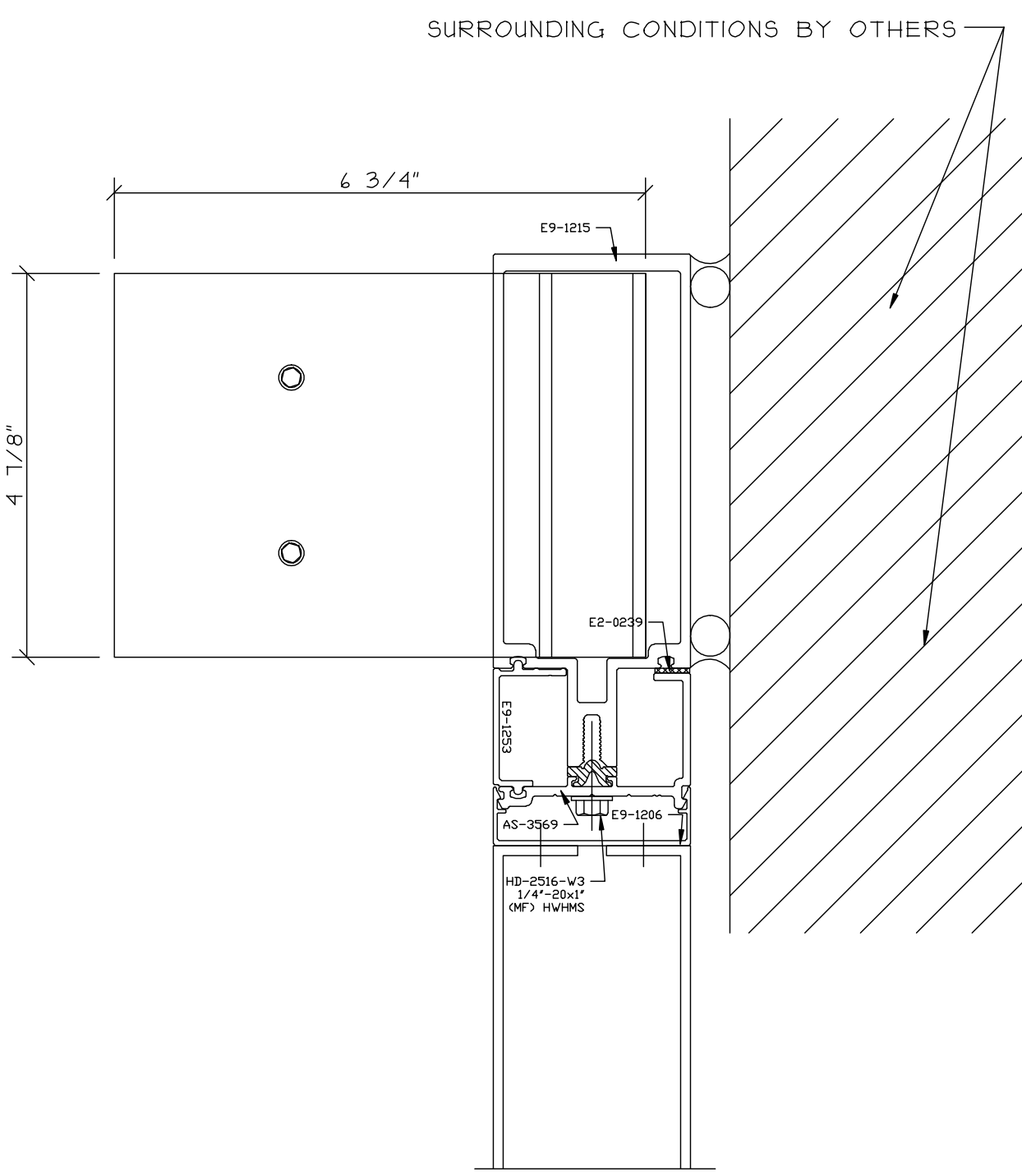
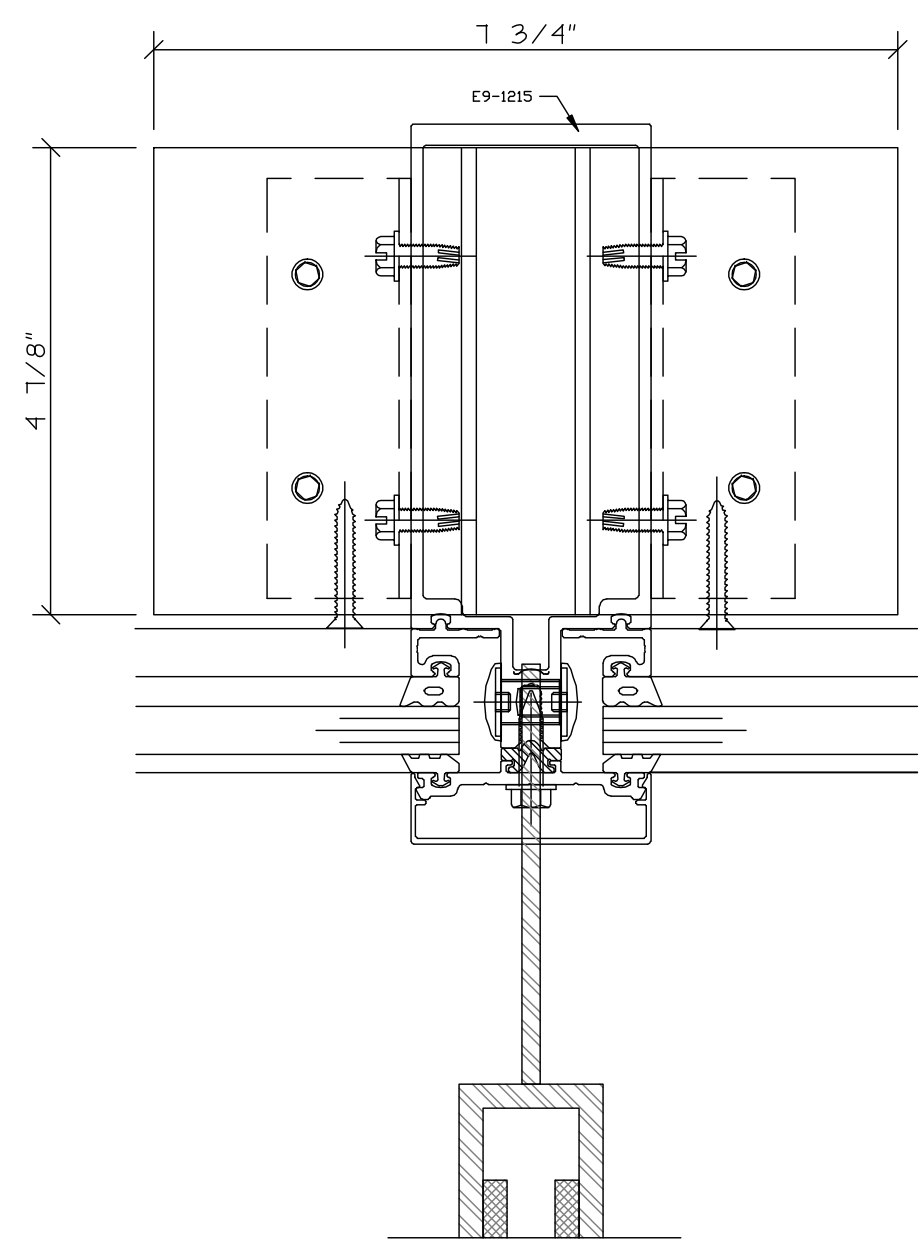
| | |
|-----------|--------|
| LOCATION: | SAMPLE |
| | SAMPLE |
| | SAMPLE |
| | SAMPLE |
| | SAMPLE |

SCALE:
6" = 1'-0"

DATE:
SAMPLE

DRAWN:
SAMPLE

PAGE:
14 of 15



① TYPICAL "T" ANCHOR AT INTERMEDIATE SILL SHOWN, HEAD SIMILAR

② TYPICAL "F" ANCHOR AT JAMB SILL SHOWN, HEAD SIMILAR

③ TYPICAL "T" ANCHOR AT INTERMEDIATE SILL SHOWN, HEAD SIMILAR

| | |
|------------|-------|
| REVISIONS: | DATE: |
| | |
| | |
| | |

| | | | |
|---------------------|--------|--------|--------|
| GLAZING CONTRACTOR: | SAMPLE | SAMPLE | SAMPLE |
| | SAMPLE | SAMPLE | SAMPLE |
| | SAMPLE | SAMPLE | SAMPLE |
| | SAMPLE | SAMPLE | SAMPLE |

| | | | |
|------------|--------|--------|--------|
| ARCHITECT: | SAMPLE | SAMPLE | SAMPLE |
| | SAMPLE | SAMPLE | SAMPLE |
| | SAMPLE | SAMPLE | SAMPLE |
| | SAMPLE | SAMPLE | SAMPLE |

| | | | |
|-----------|--------|--------|--------|
| PROJECT: | SAMPLE | SAMPLE | SAMPLE |
| LOCATION: | SAMPLE | SAMPLE | SAMPLE |

SCALE:
6" = 1'-0"

DATE:
SAMPLE

DRAWN:
SAMPLE

PAGE:
15 of 15