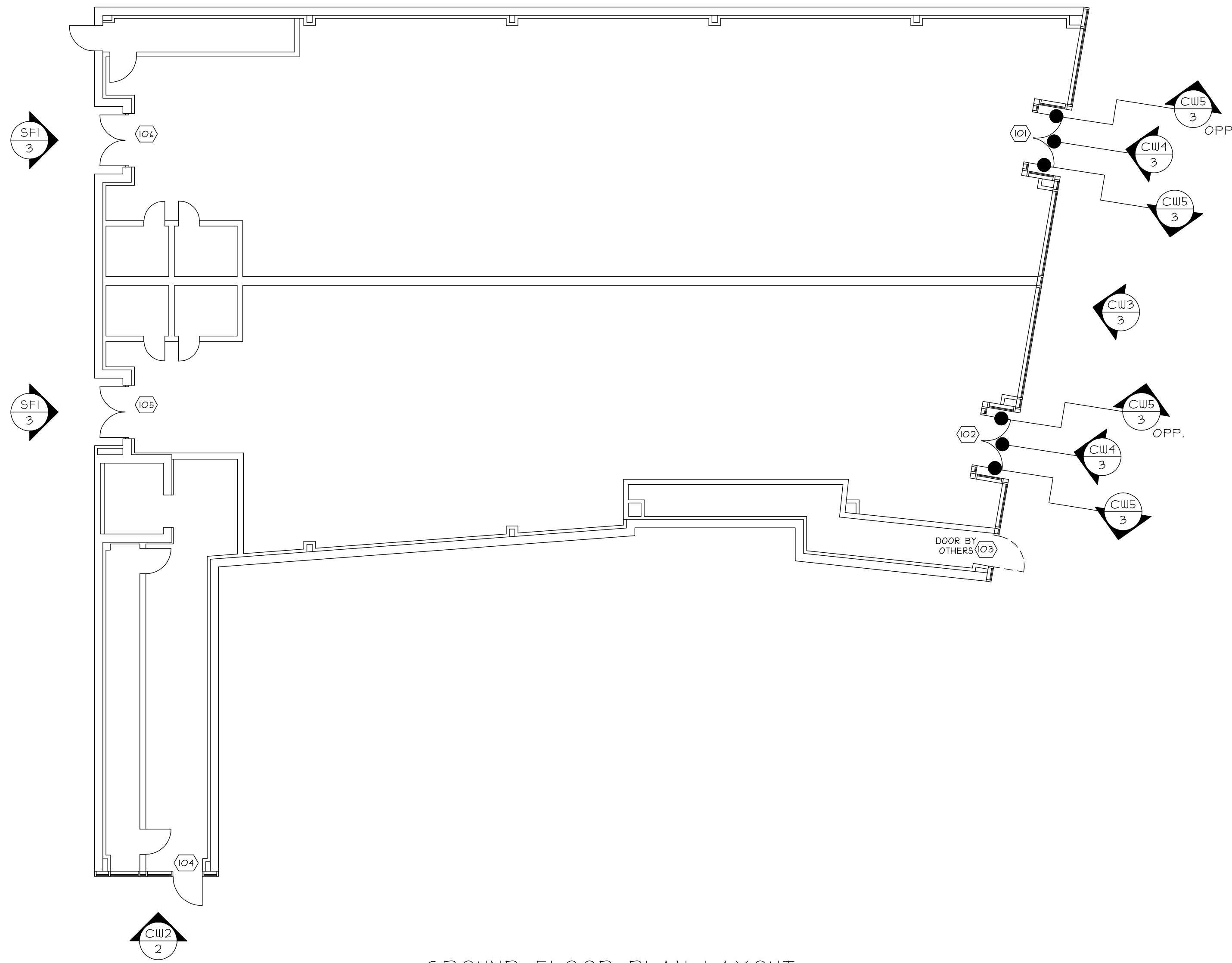


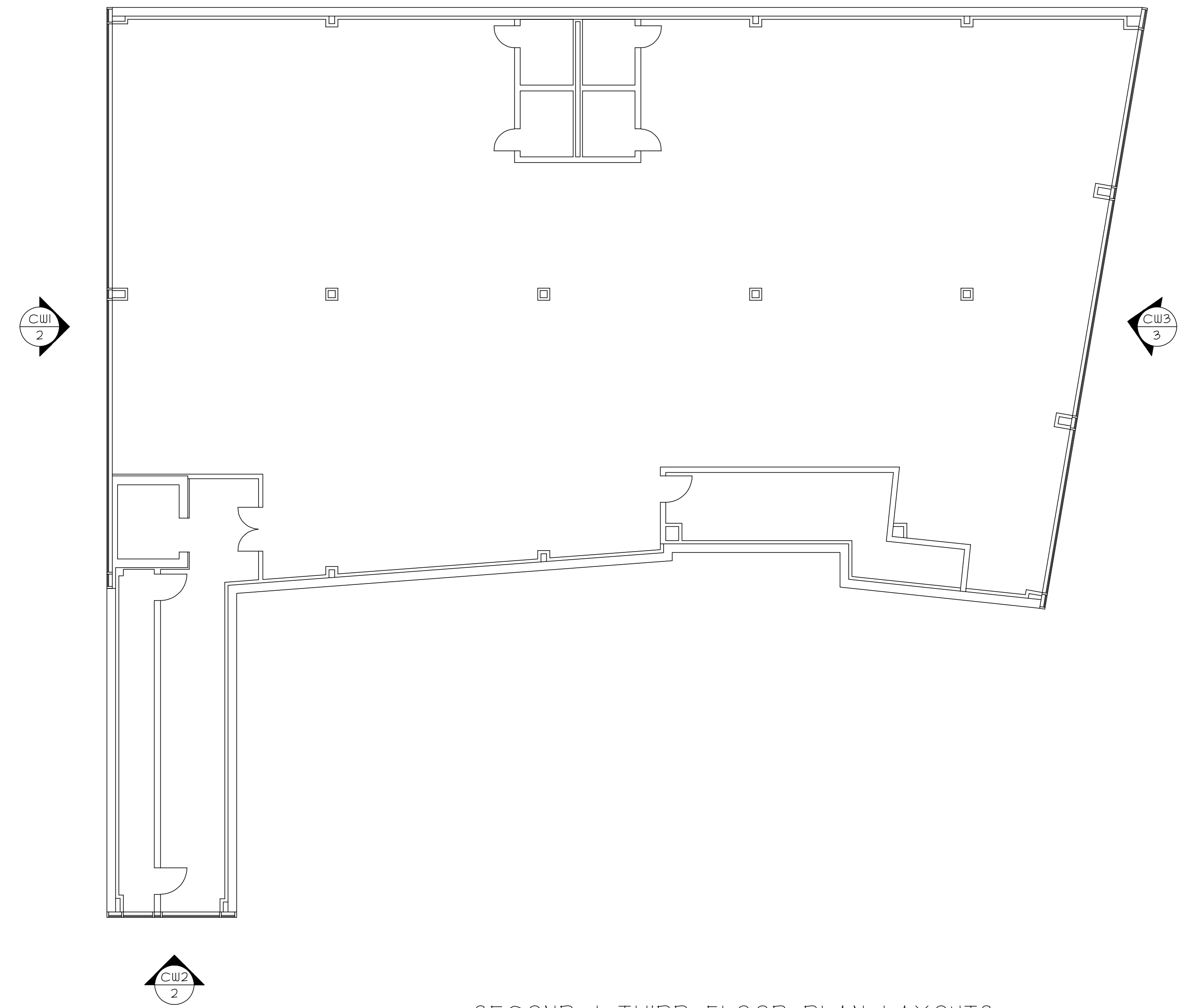
ALUMINUM CURTAIN WALLS & ENTRANCES

GENERAL NOTES:

I. GENERAL NOTES



GROUND FLOOR PLAN LAYOUT  
REF. 1/A-2



SECOND & THIRD FLOOR PLAN LAYOUTS  
REF. 1/A-3 & 1/A-4

REVISIONS:

GLAZING CONTRACTOR:

ARCHITECT:

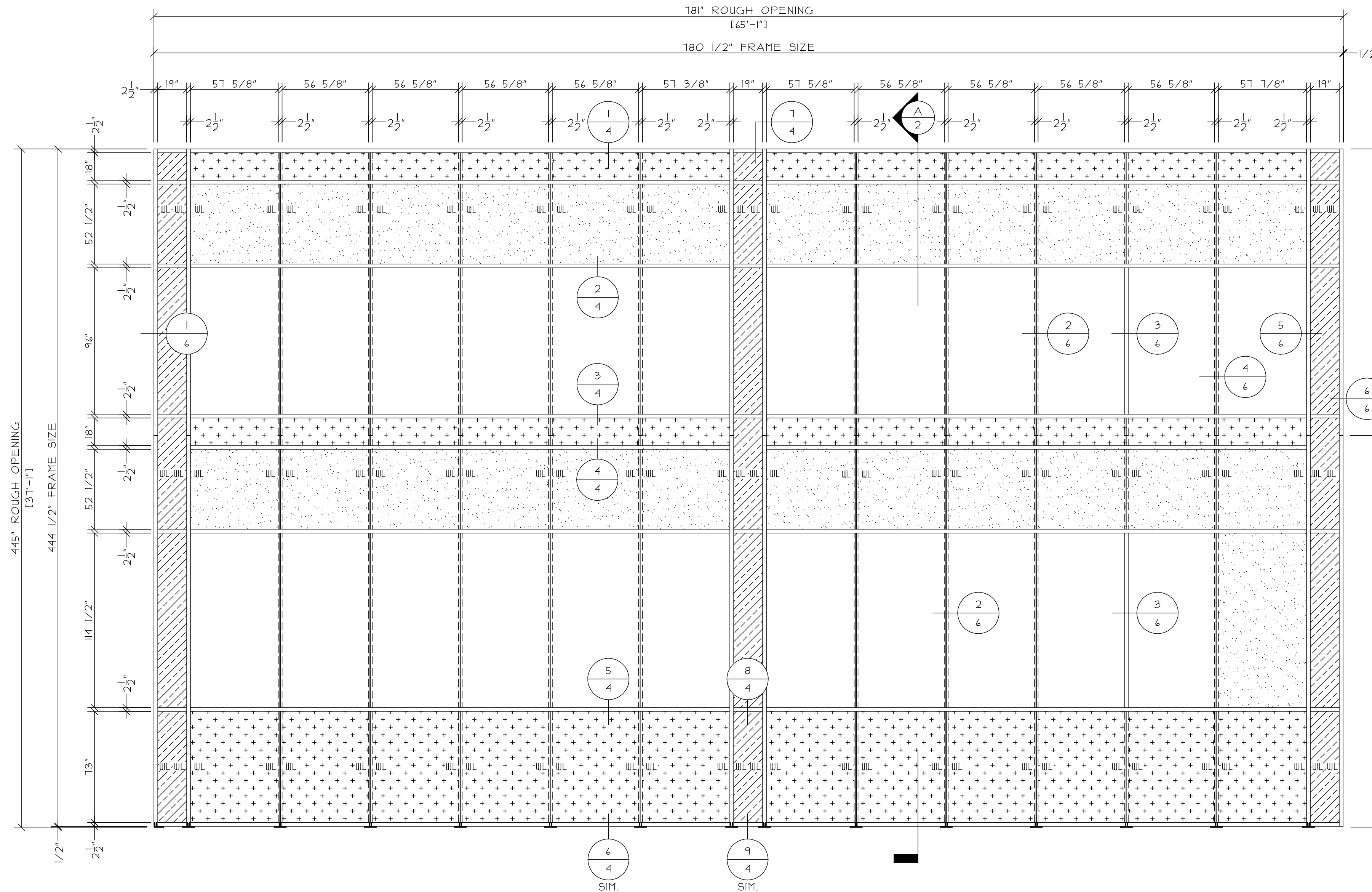
PROJECT:

SCALE:

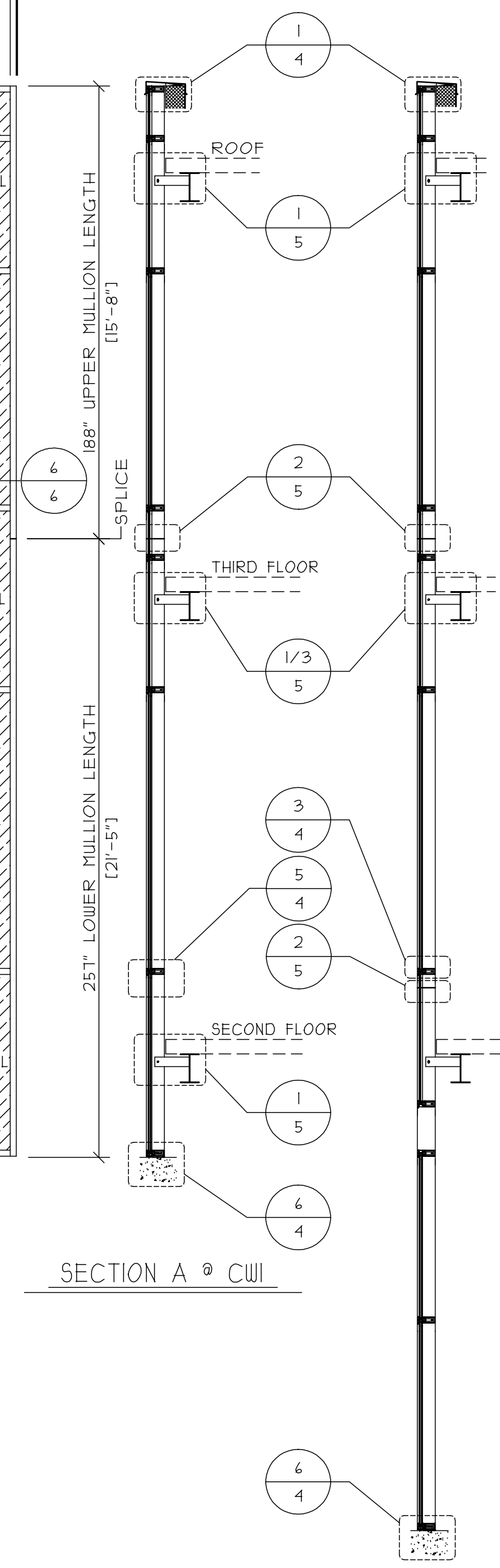
DATE:

DRAWN:

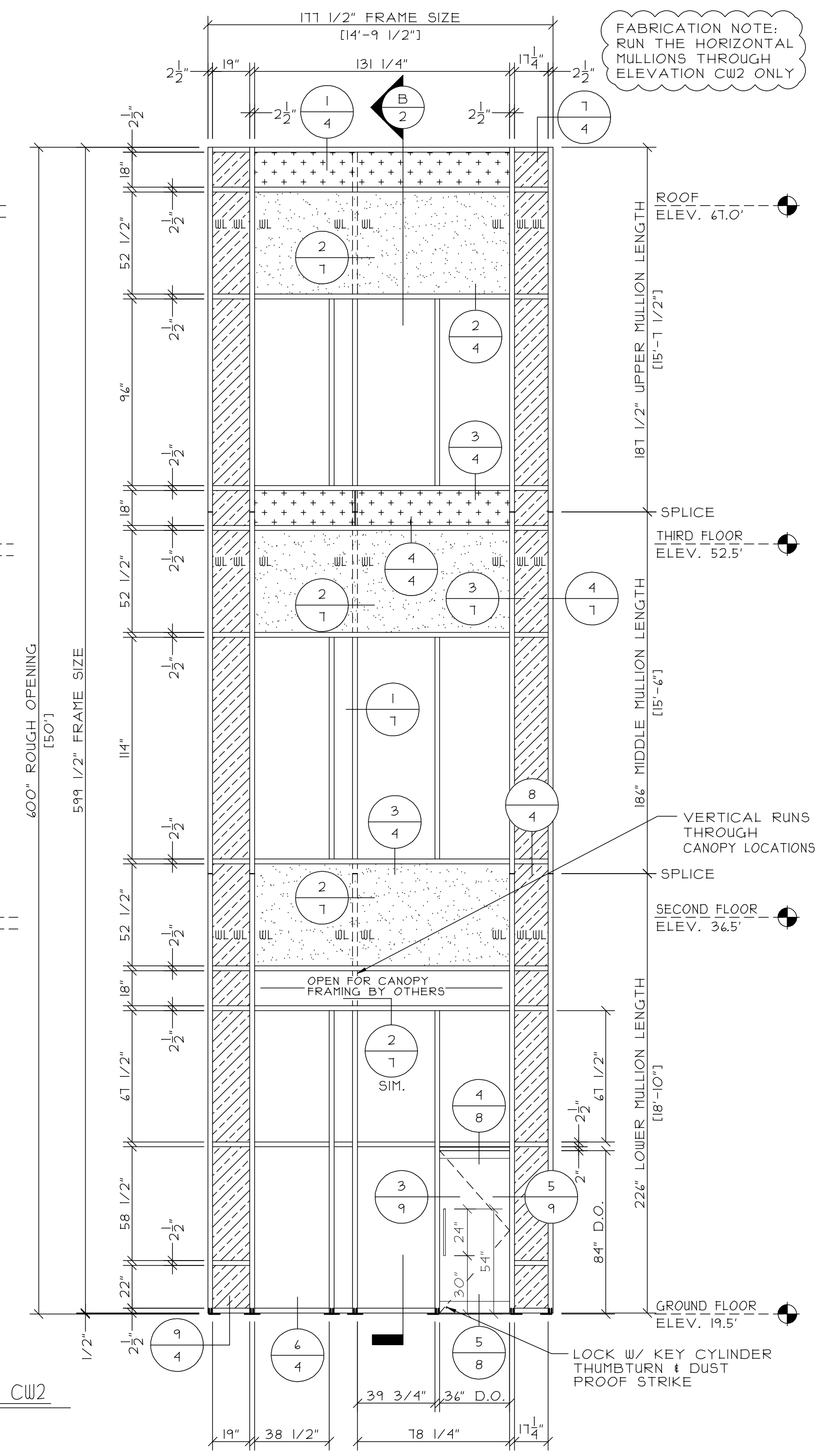
PAGE:



ELEVATION CW1  
 1 TOTAL  
 YCW 150 SSG CURTAIN WALL  
 (2 1/2" X 1 1/2" FRAMES)



SECTION A @ CW1



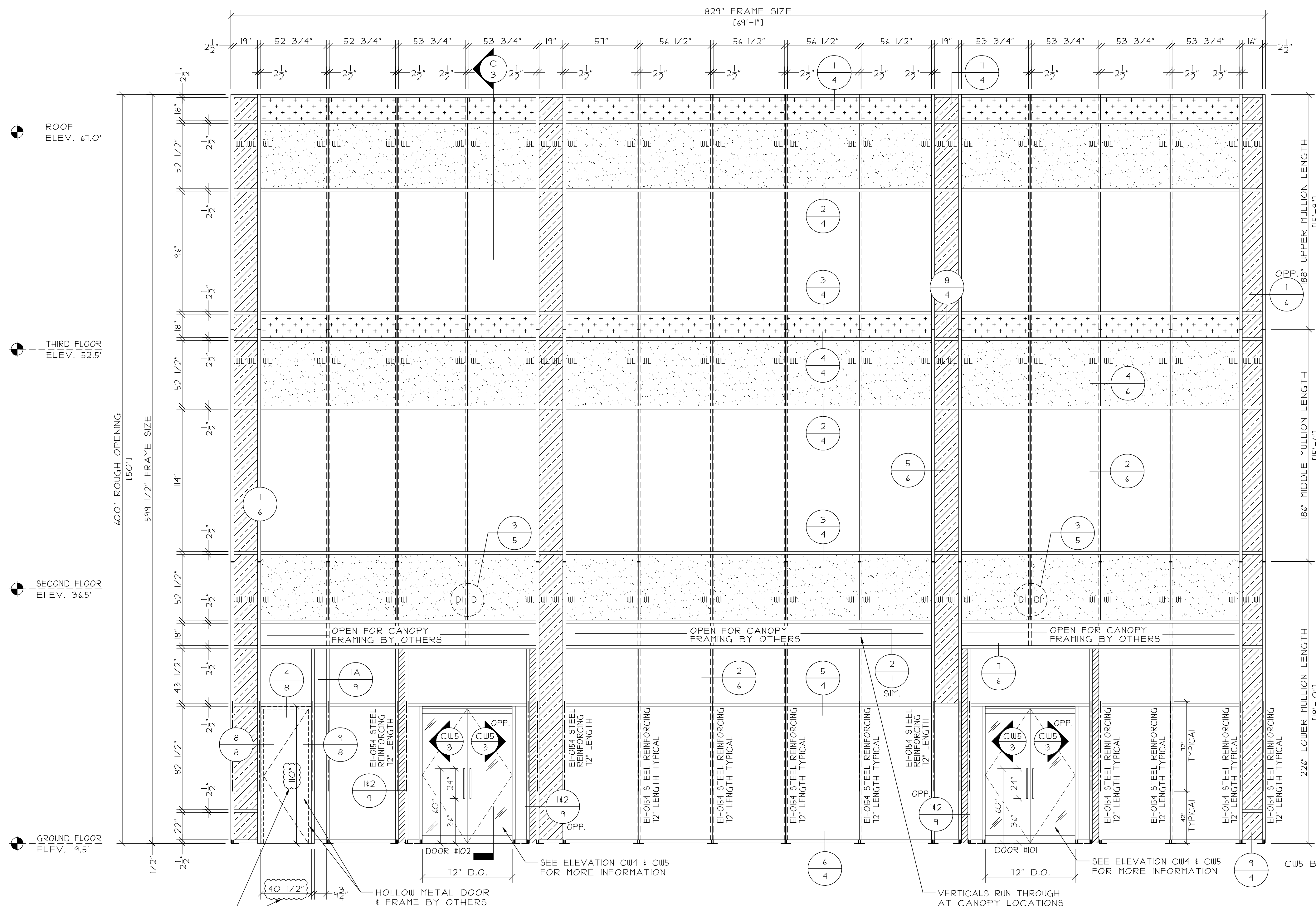
ELEVATION CW2  
 1 TOTAL  
 YCW 150 SSG CURTAIN WALL  
 (2 1/2" X 1 1/2" FRAMES)  
 CRL GLASS DOOR #104 W/  
 ENTRY LOCKSET HARDWARE

SECTION B @ CW2

- = DENOTES LOCATION OF T OR F ANCHORS SEE SHEET 1 FOR DETAILS
- WL = DENOTES LOCATION OF WIND LOAD CLIPS SEE DETAIL 1 ON SHEET 5
- DL = DENOTES LOCATION OF DEAD LOAD CLIPS SEE DETAIL 3 ON SHEET 5
- = DENOTES LOCATION OF INSULATED METAL PANELS TO MATCH CURTAIN WALL
- = DENOTES LOCATION OF 1/4" SPANDREL GLASS COLOR #1
- = DENOTES LOCATION OF 1/4" SPANDREL GLASS COLOR #2

FABRICATION NOTE:  
 RUN THE HORIZONTAL  
 MULLIONS THROUGH  
 ELEVATION CW2 ONLY

PROJECT:	SAMPLE SAMPLE SAMPLE
LOCATION:	SAMPLE SAMPLE SAMPLE
GLAZING CONTRACTOR:	SAMPLE SAMPLE SAMPLE SAMPLE SAMPLE SAMPLE SAMPLE SAMPLE SAMPLE SAMPLE SAMPLE SAMPLE
ARCHITECT:	SAMPLE SAMPLE SAMPLE SAMPLE SAMPLE SAMPLE SAMPLE SAMPLE SAMPLE SAMPLE SAMPLE SAMPLE
SCALE:	1/4" = 1'-0"
DATE:	SAMPLE
DRAWN:	SAMPLE
PAGE:	2 of 9
REVISIONS:	
DATE:	

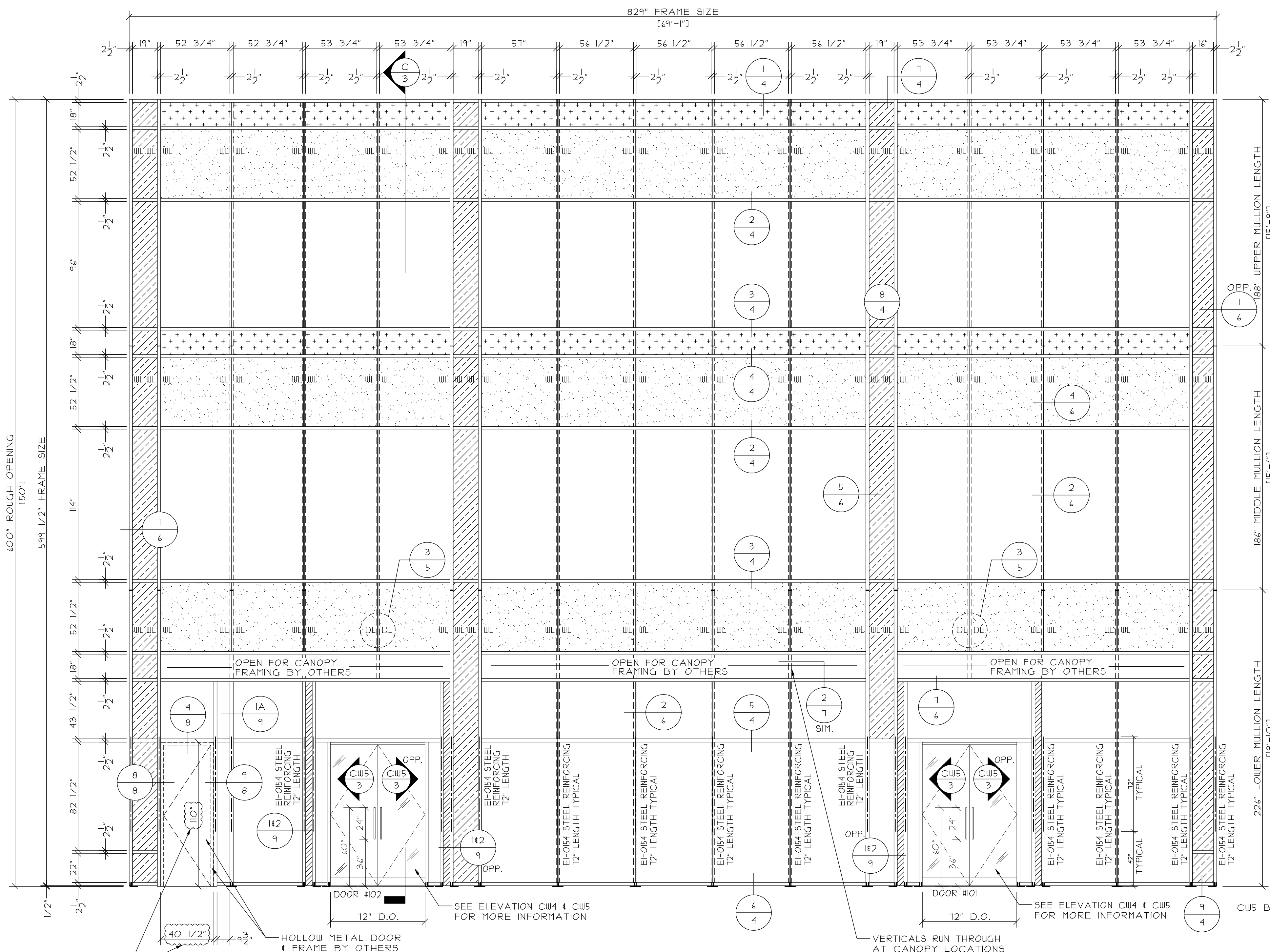


ROOF ELEV. 61.0'

THIRD FLOOR ELEV. 52.5'

SECOND FLOOR ELEV. 36.5'

GROUND FLOOR ELEV. 14.5'



**ELEVATION CW3**  
 1 TOTAL  
 YCW 150 SSG CURTAIN WALL  
 (2 1/2" X 1 1/2" FRAMES)  
 CRL GLASS DOORS #101 & #102  
 W/ ENTRY LOCKSET HARDWARE  
 DOOR #103 BY OTHERS

- = DENOTES LOCATION OF T OR F ANCHORS SEE SHEET 1 FOR DETAILS
- = DENOTES LOCATION OF EI-0154 STEEL REINFORCING 12" LENGTH
- WL = DENOTES LOCATION OF WIND LOAD CLIPS SEE DETAIL 1 ON SHEET 5
- DL = DENOTES LOCATION OF DEAD LOAD CLIPS SEE DETAIL 1 ON SHEET 5
- = DENOTES LOCATION OF INSULATED METAL PANELS TO MATCH CURTAIN WALL
- = DENOTES LOCATION OF 1/4" SPANDREL GLASS COLOR #1
- = DENOTES LOCATION OF 1/4" SPANDREL GLASS COLOR #2
- = DENOTES LOCATION OF BRAKE METAL CORNER

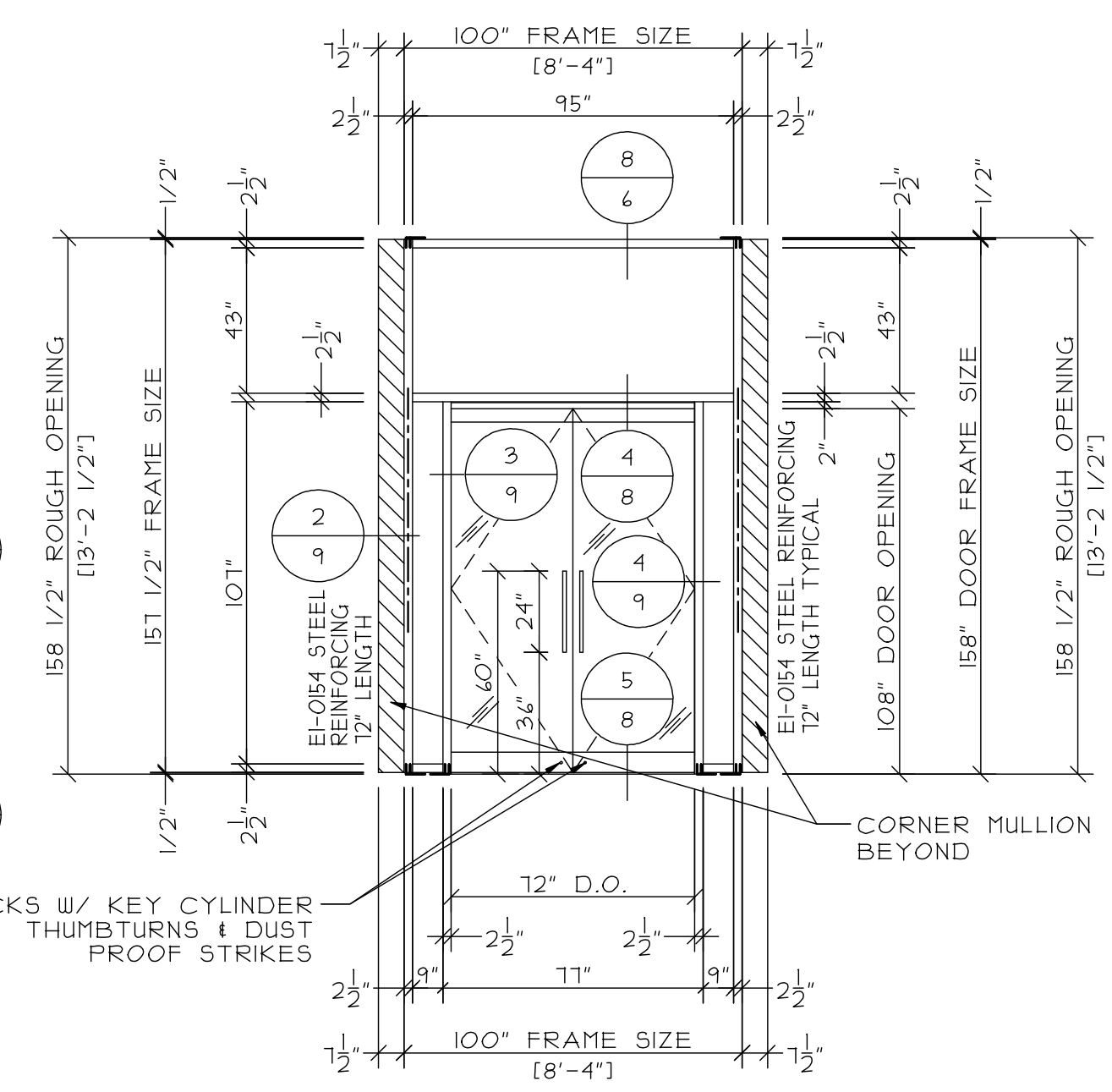
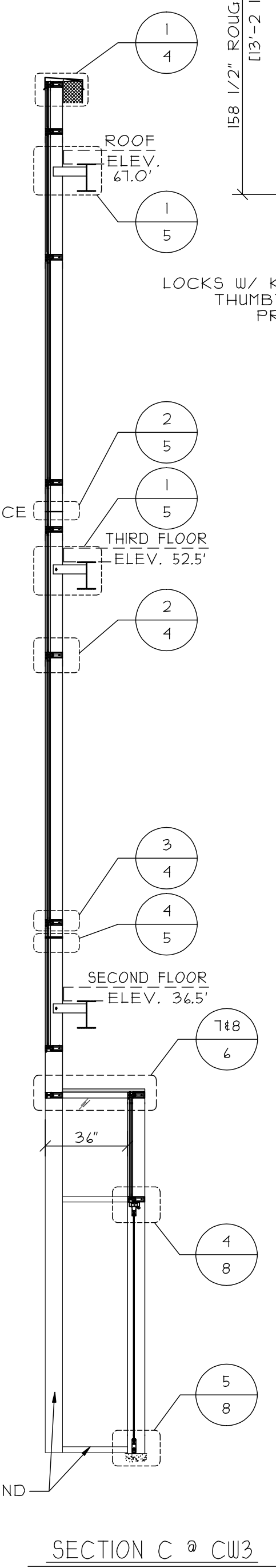
VERIFY CLEAR OPENING REQUIRED WITH H.M. DOOR FRAMING SUPPLIER

HOLLOW METAL DOOR & FRAME BY OTHERS

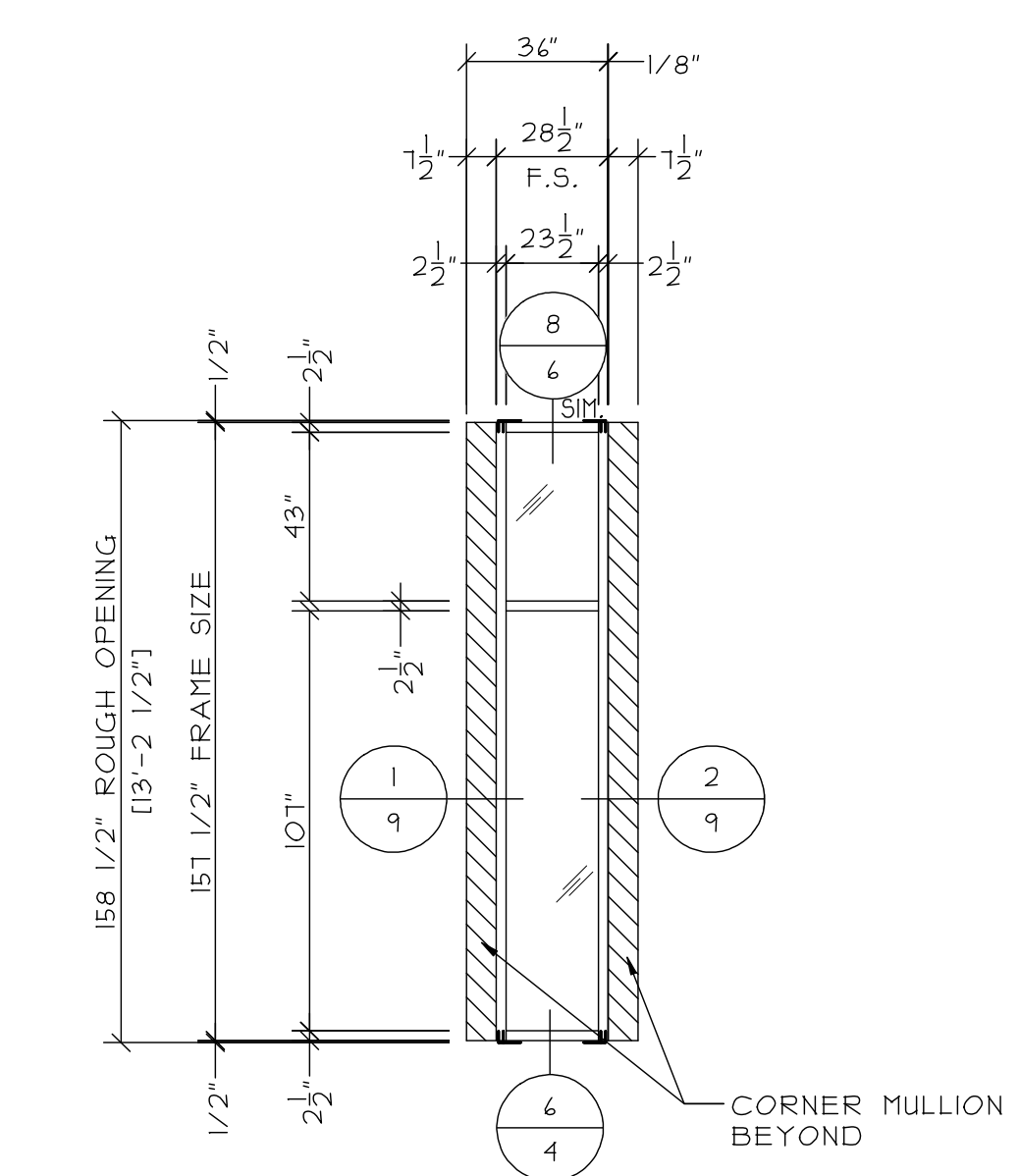
SEE ELEVATION CW4 & CW5 FOR MORE INFORMATION

SEE ELEVATION CW4 & CW5 FOR MORE INFORMATION

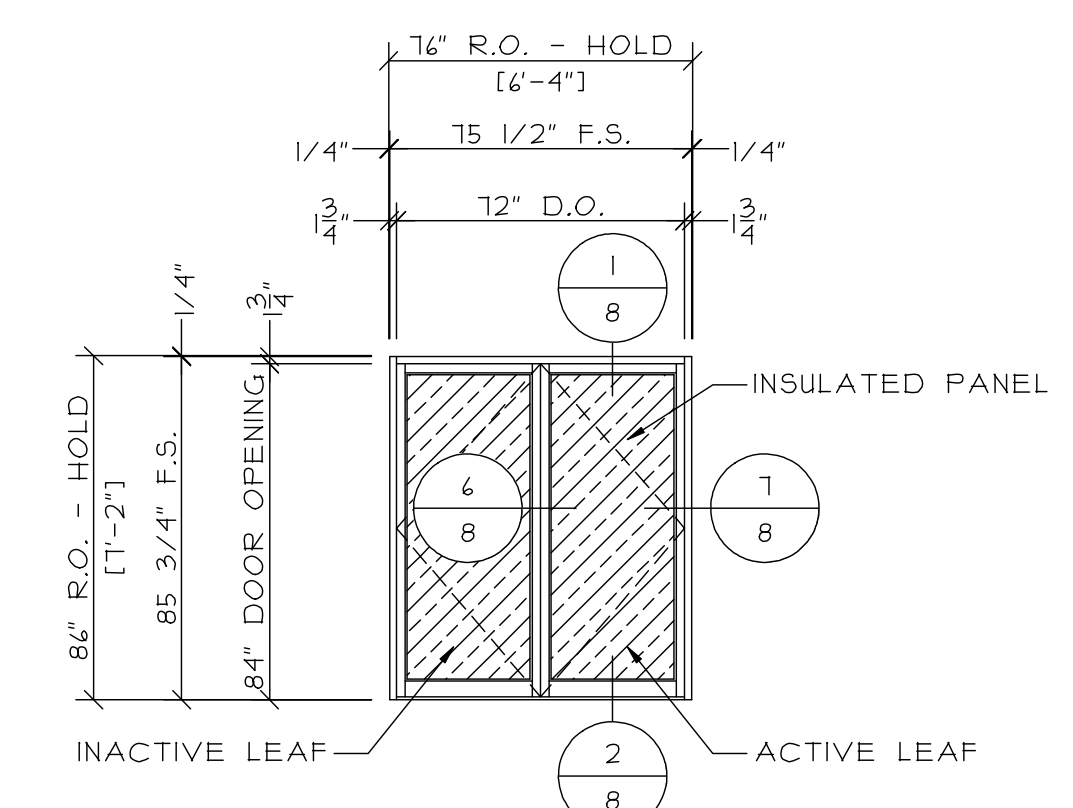
VERTICALS RUN THROUGH AT CANOPY LOCATIONS



**ELEVATION CW4**  
 2 TOTAL  
 TCW 150 SSG CURTAIN WALL  
 (2 1/2" X 1 1/2" FRAMES)  
 CRL GLASS DOORS #101 & #102  
 W/ ENTRY LOCKSET HARDWARE

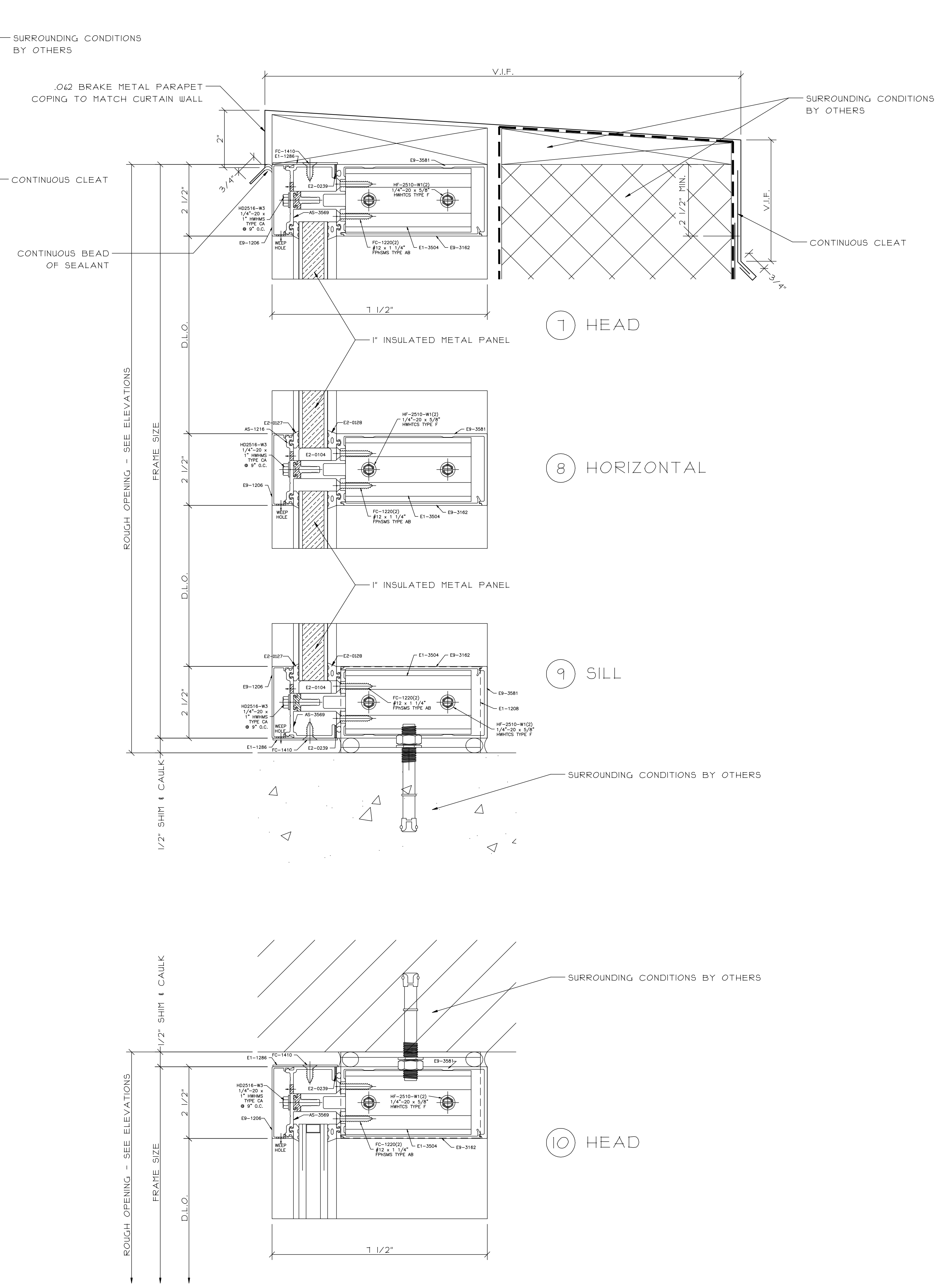
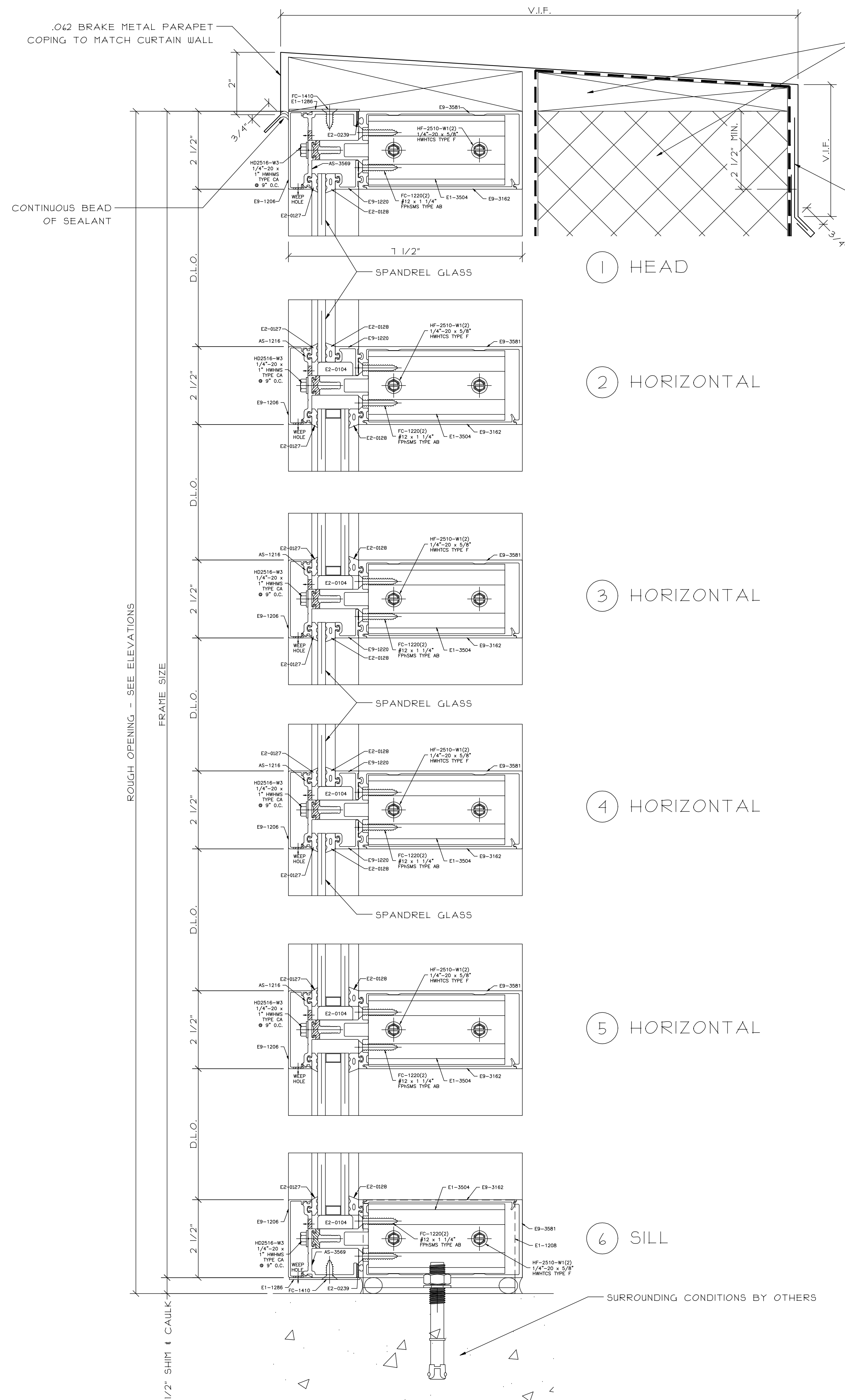


**ELEVATION CW5**  
 2 TOTAL & 2 OPPOSITE  
 YCW 150 SSG CURTAIN WALL  
 (2 1/2" X 1 1/2" FRAMES)



**ELEVATION SFI**  
 2 TOTAL  
 YES 45FS STOREFRONT  
 (1 3/4" X 4 1/2" FRAMES)  
 NARROW STILE DOORS #105 & #106  
 W/ ENTRY LOCKSET HARDWARE

PROJECT:	SAMPLE SAMPLE SAMPLE
LOCATION:	SAMPLE SAMPLE SAMPLE
ARCHITECT:	SAMPLE SAMPLE SAMPLE SAMPLE SAMPLE SAMPLE SAMPLE SAMPLE SAMPLE SAMPLE SAMPLE SAMPLE
GLAZING CONTRACTOR:	SAMPLE SAMPLE SAMPLE SAMPLE SAMPLE SAMPLE SAMPLE SAMPLE SAMPLE SAMPLE SAMPLE SAMPLE
REVISIONS:	
DATE:	
SCALE:	1/4" = 1'-0"
DATE:	SAMPLE
DRAWN:	SAMPLE
PAGE:	3 of 9



PROJECT:	SAMPLE SAMPLE SAMPLE
LOCATION:	SAMPLE SAMPLE SAMPLE
SCALE:	6" = 1'-0"
DATE:	SAMPLE
DRAWN:	SAMPLE
PAGE:	4 of 9

GLAZING CONTRACTOR:	SAMPLE SAMPLE SAMPLE
ARCHITECT:	SAMPLE SAMPLE SAMPLE

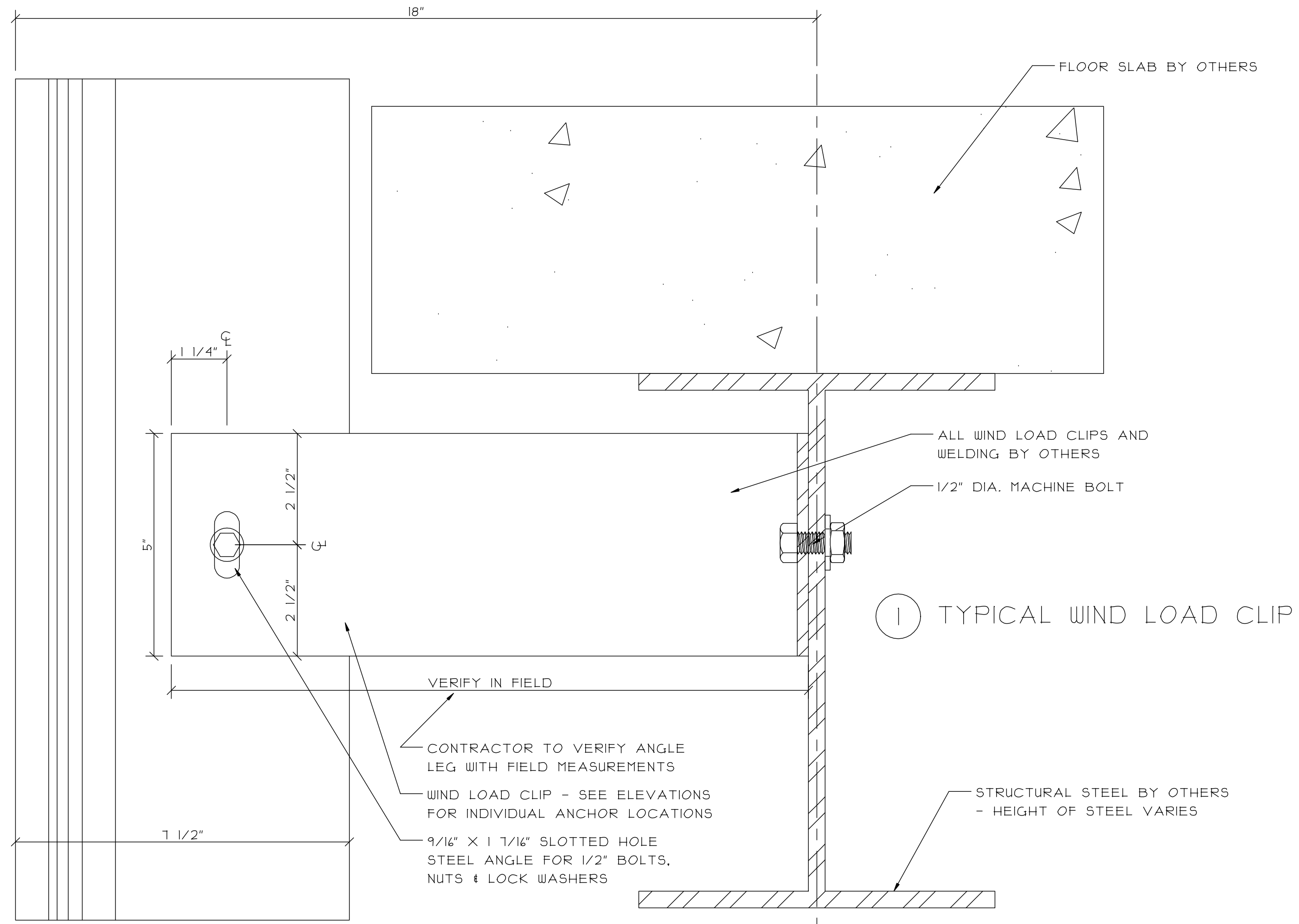
  

REVISIONS:	
DATE:	

ROUGH OPENING - SEE ELEVATIONS

FRAME SIZE

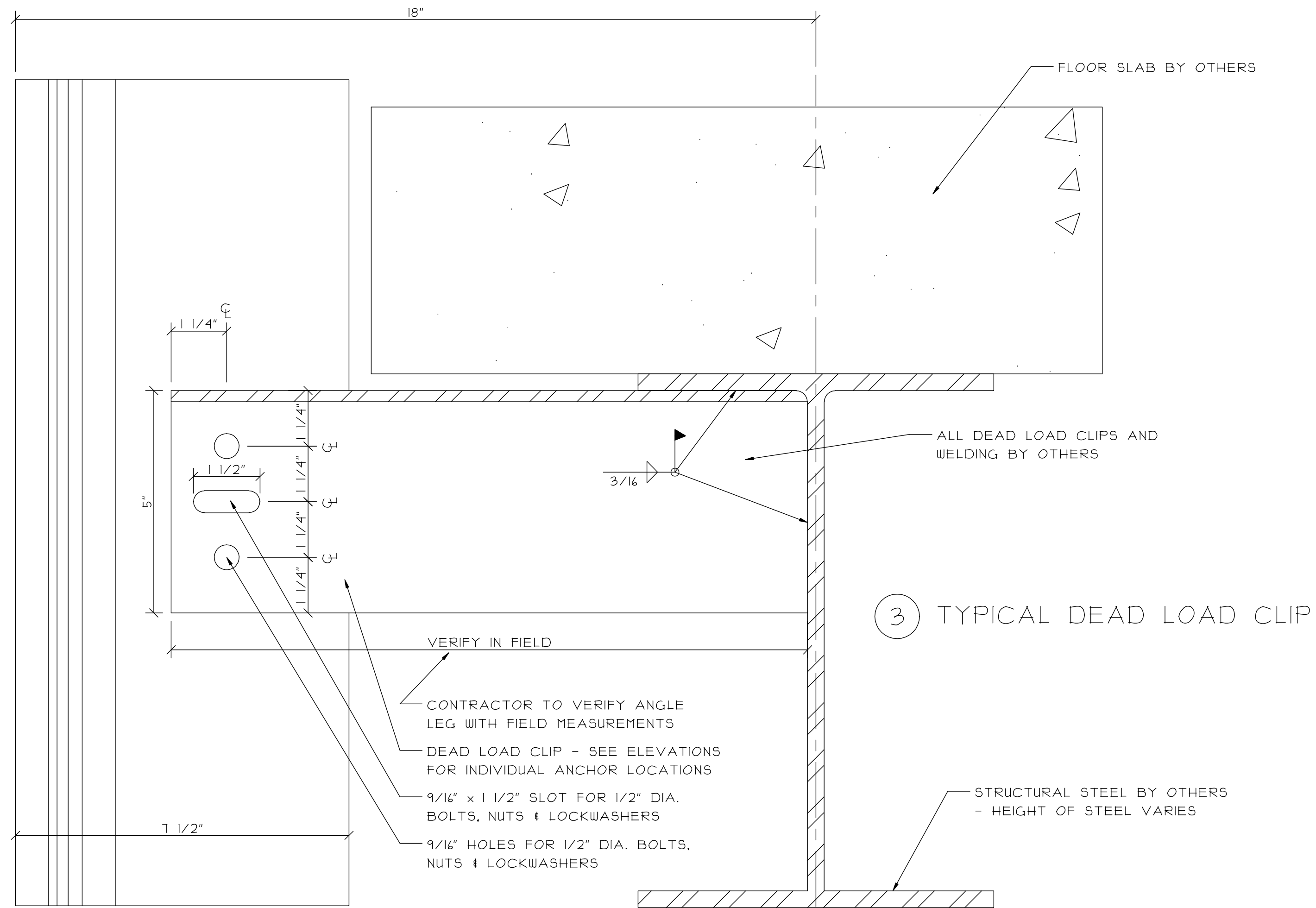
D.L.O.



ROUGH OPENING - SEE ELEVATIONS

FRAME SIZE

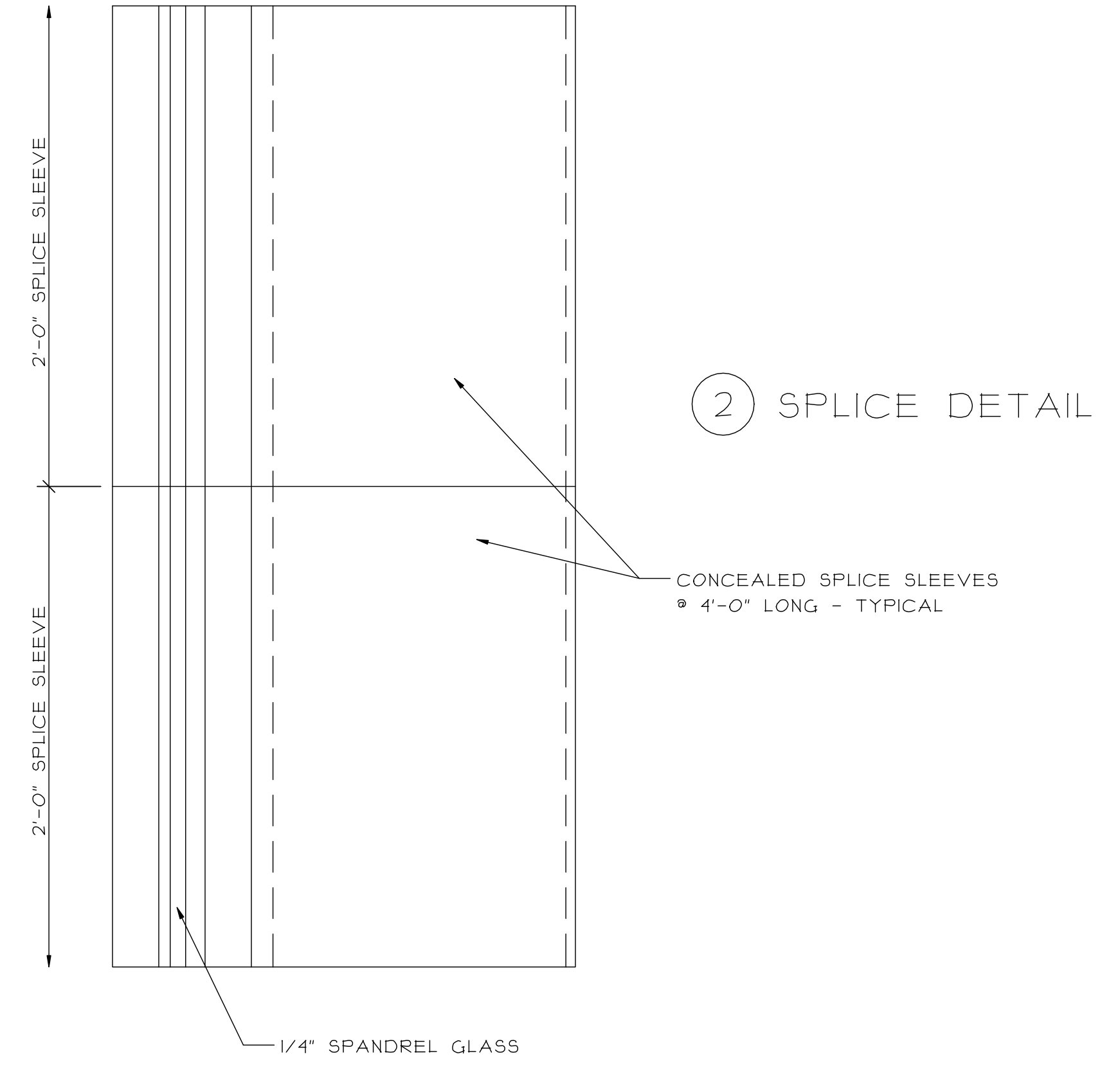
D.L.O.



ROUGH OPENING - SEE ELEVATIONS

FRAME SIZE

D.L.O.



\* ISOLATE ALL DISSIMILAR MATERIALS @ WIND LOAD & DEAD LOAD CLIPS

DATE:

REVISIONS:

GLAZING CONTRACTOR: SAMPLE SAMPLE SAMPLE

ARCHITECT: SAMPLE SAMPLE SAMPLE

PROJECT: SAMPLE SAMPLE SAMPLE

SCALE:

DATE:

DRAWN:

PAGE:

5 of 9



1 OPEN END JAMB

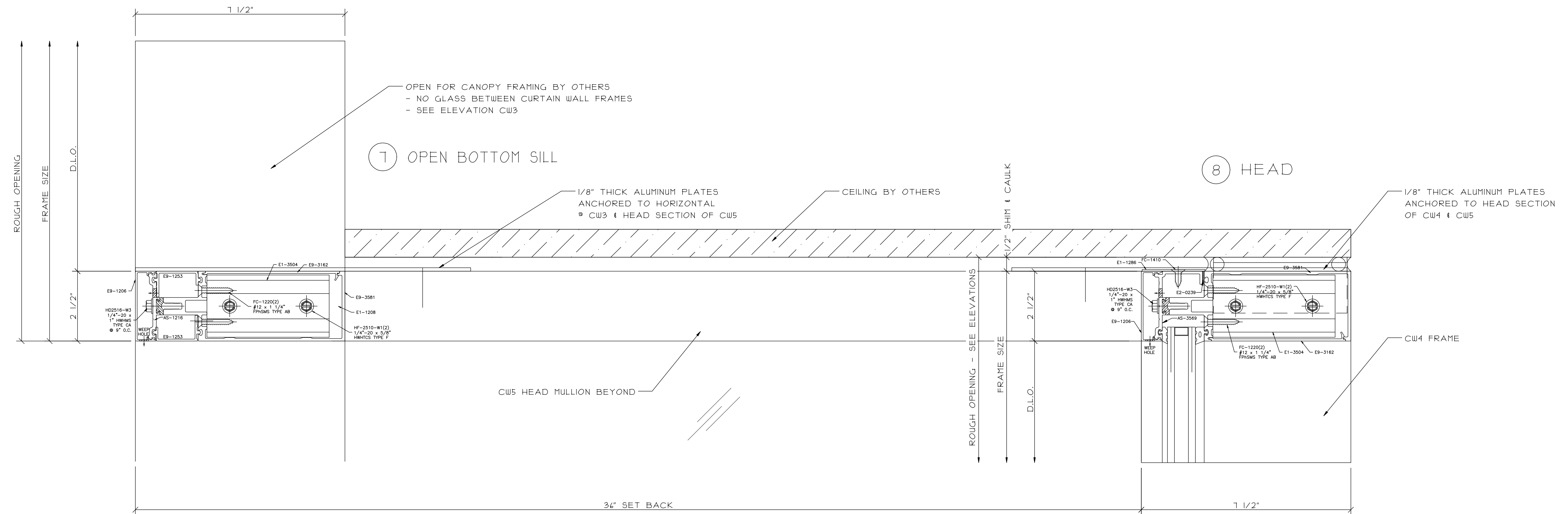
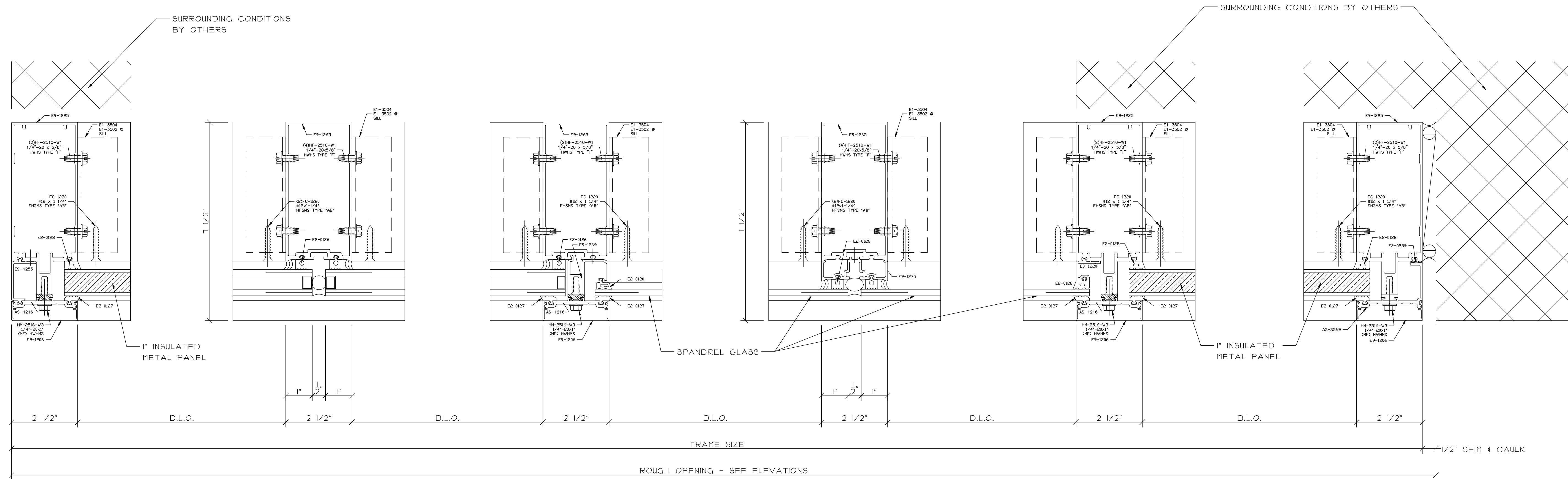
2 SSG VERTICAL W/ 1" GLASS

3 VERTICAL

4 SSG VERTICAL W/ 1/4" GLASS

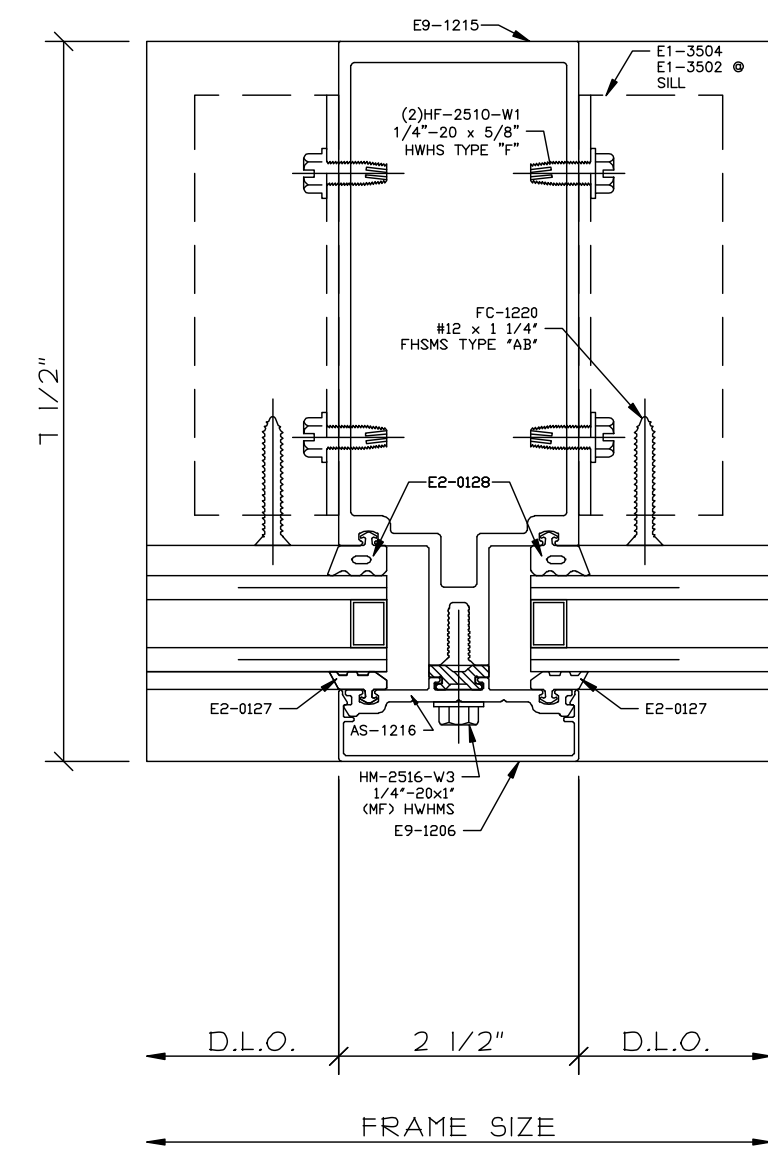
5 VERTICAL

6 JAMB

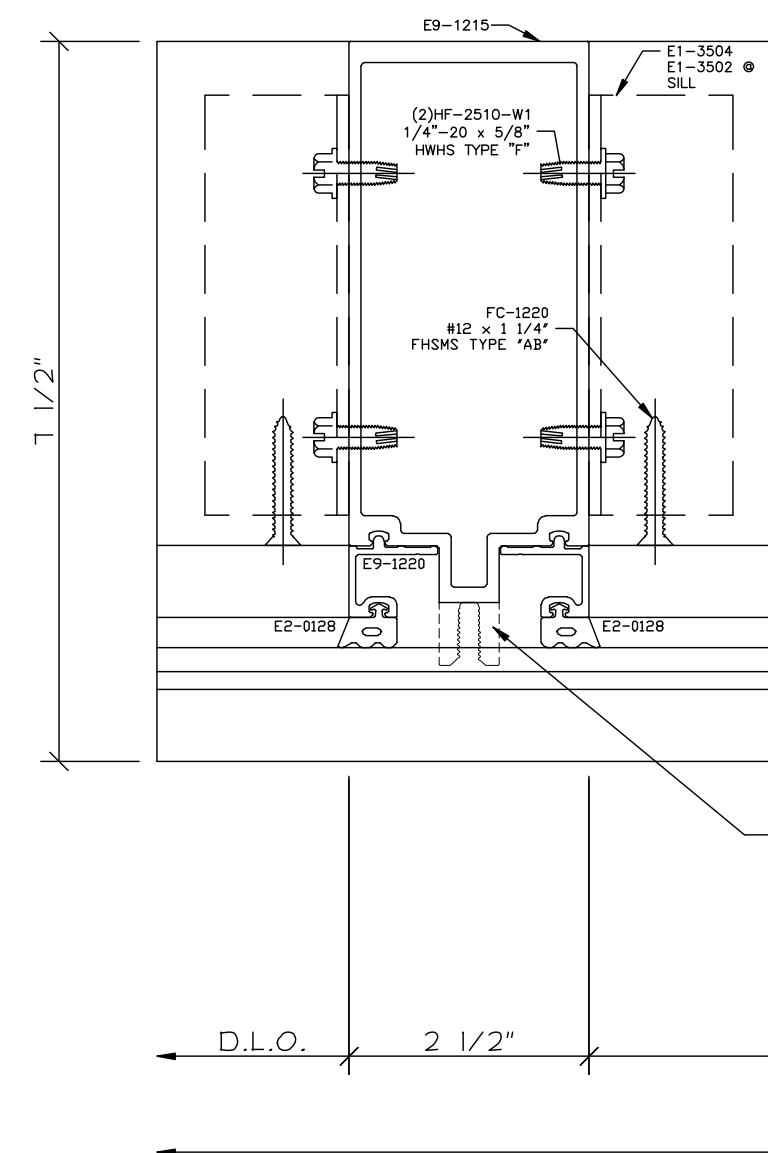


DATE:	
REVISIONS:	
GLAZING CONTRACTOR:	SAMPLE SAMPLE SAMPLE
ARCHITECT:	SAMPLE SAMPLE SAMPLE
PROJECT:	SAMPLE SAMPLE SAMPLE
LOCATION:	SAMPLE SAMPLE SAMPLE
SCALE:	6" = 1'-0"
DATE:	SAMPLE
DRAWN:	SAMPLE
PAGE:	6 of 9

① VERTICAL

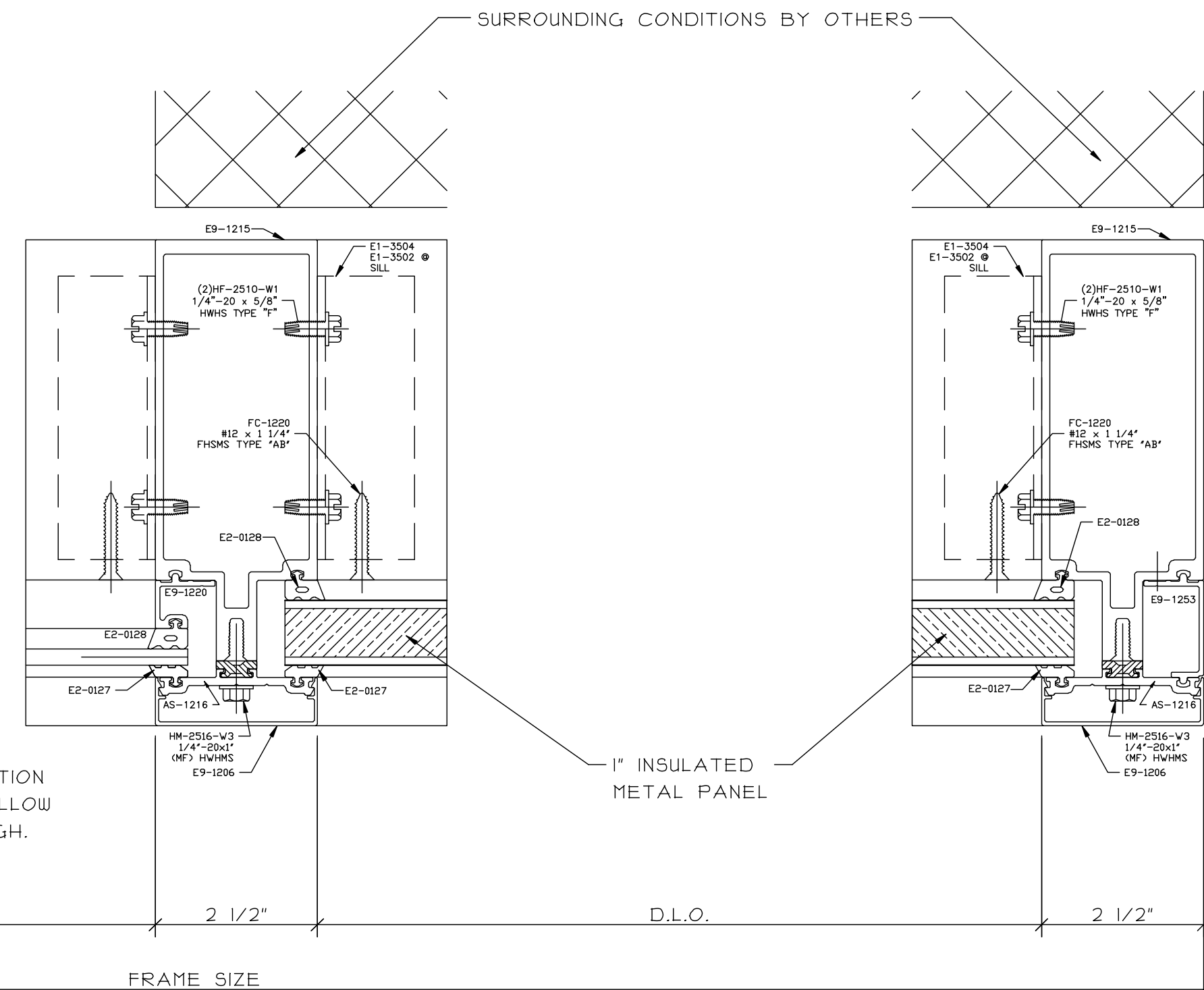


② VERTICAL

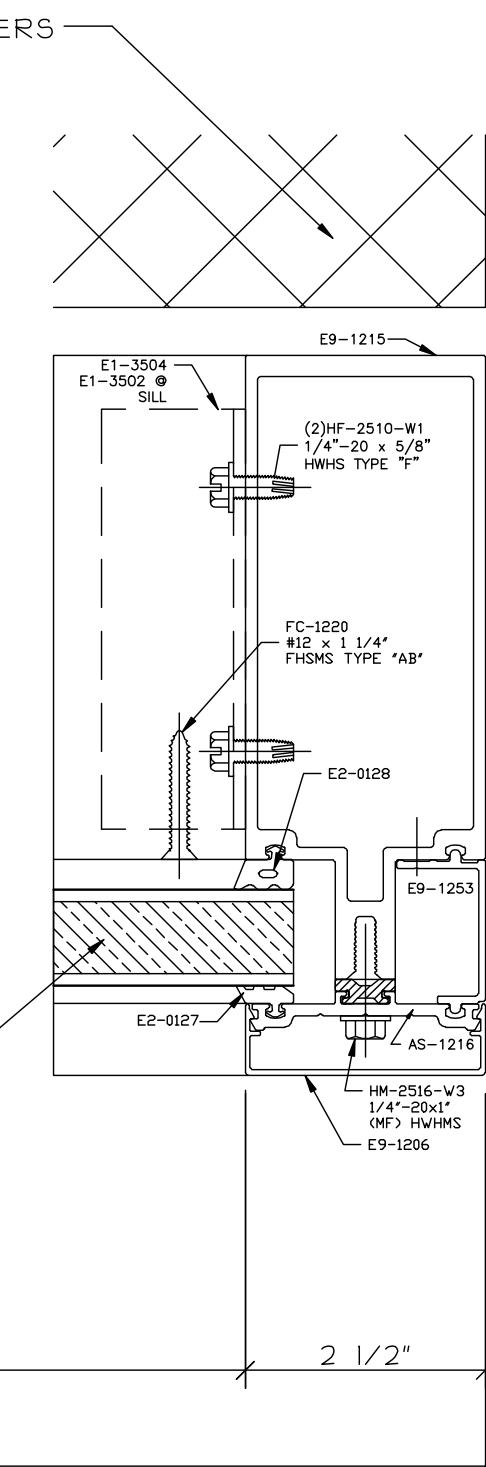


FABRICATION NOTE: REMOVE PORTION OF SCREW BOSS AS SHOWN TO ALLOW SPANDREL GLASS TO RUN THROUGH.

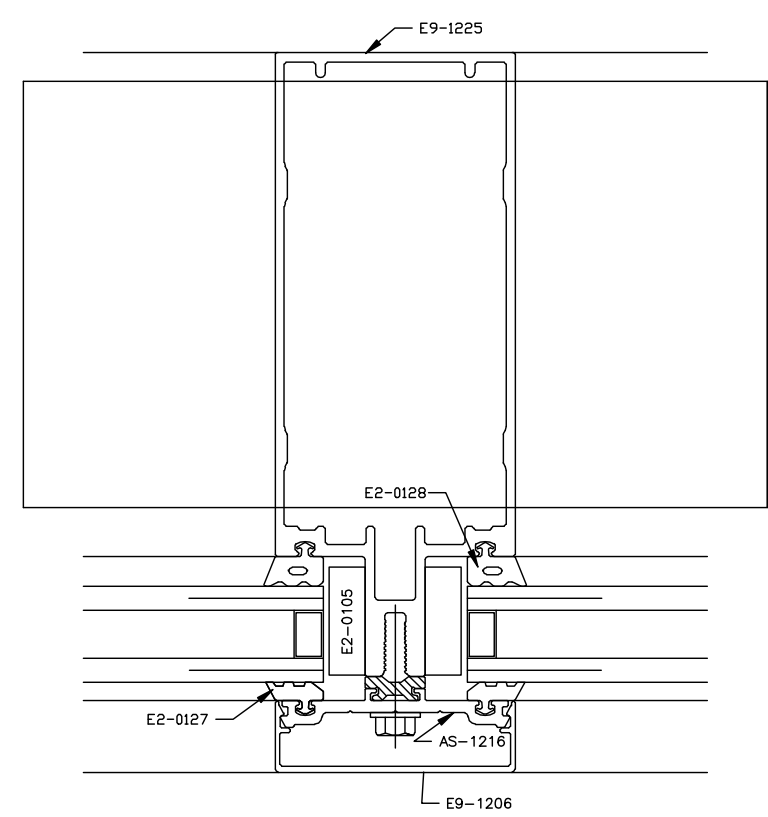
③ VERTICAL



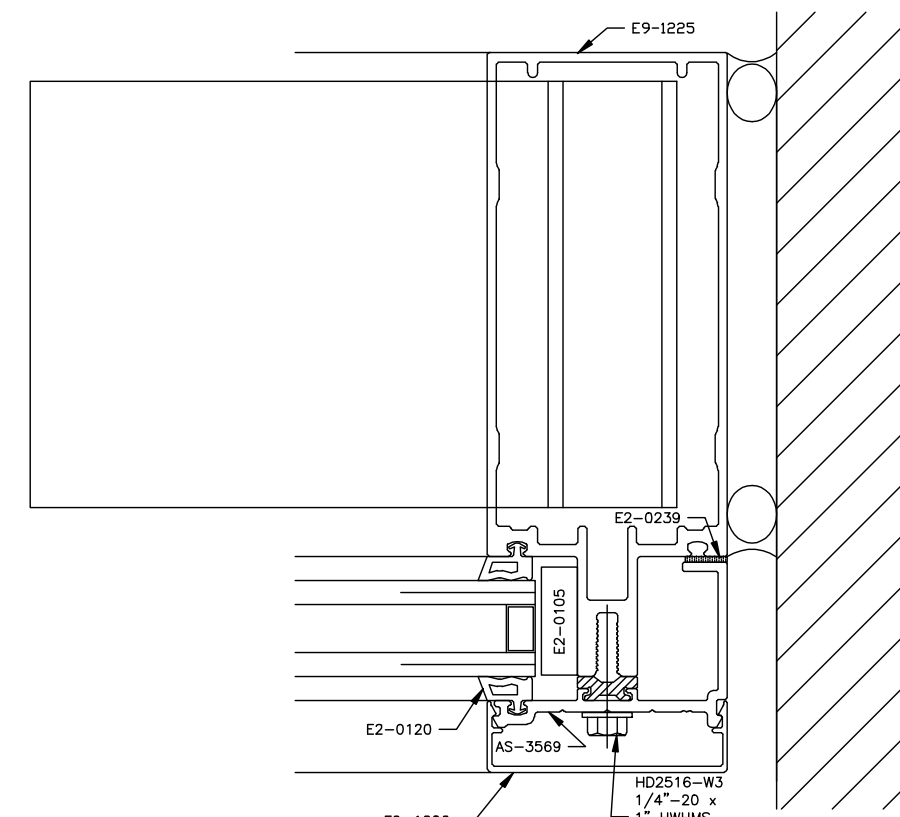
④ JAMB



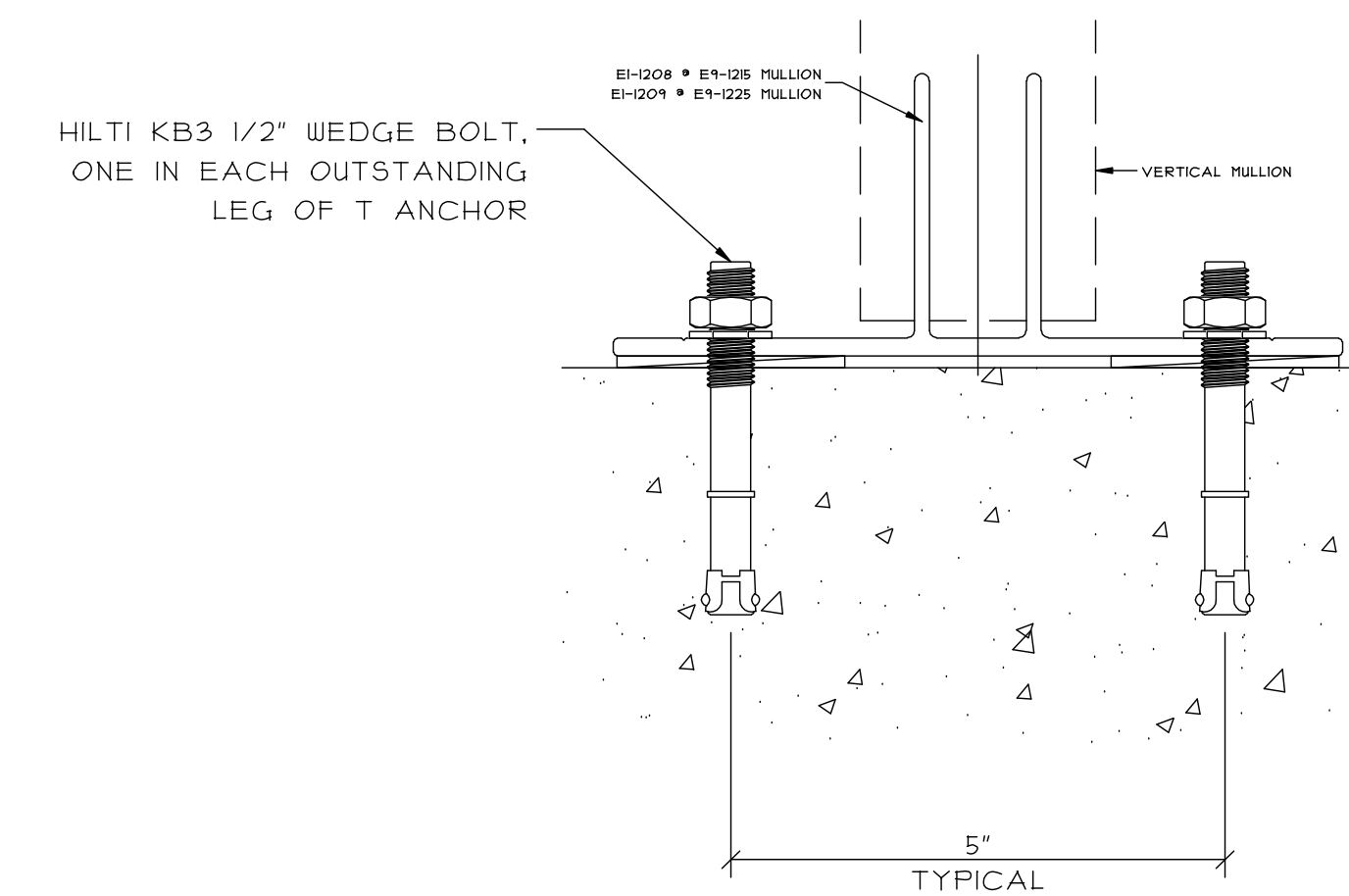
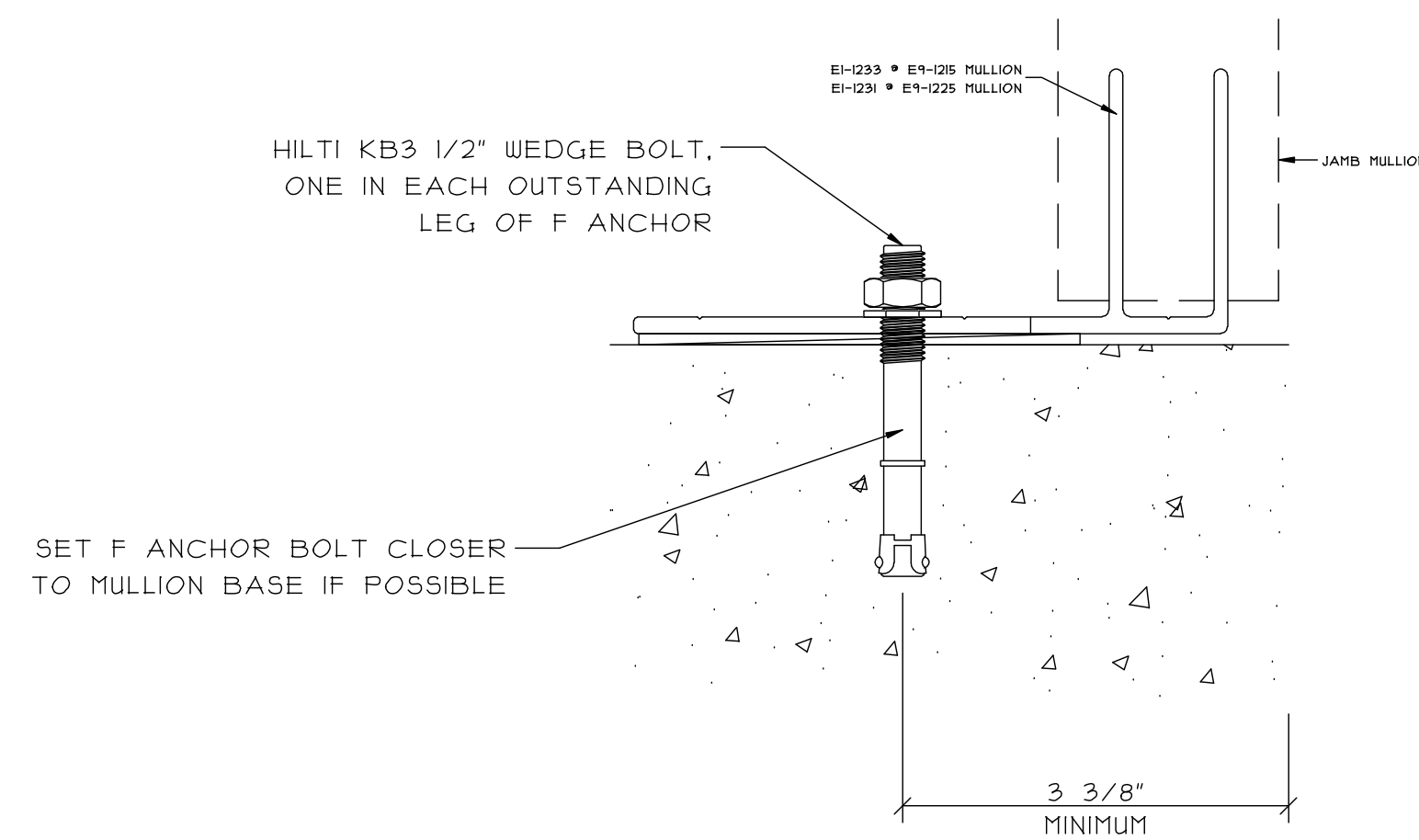
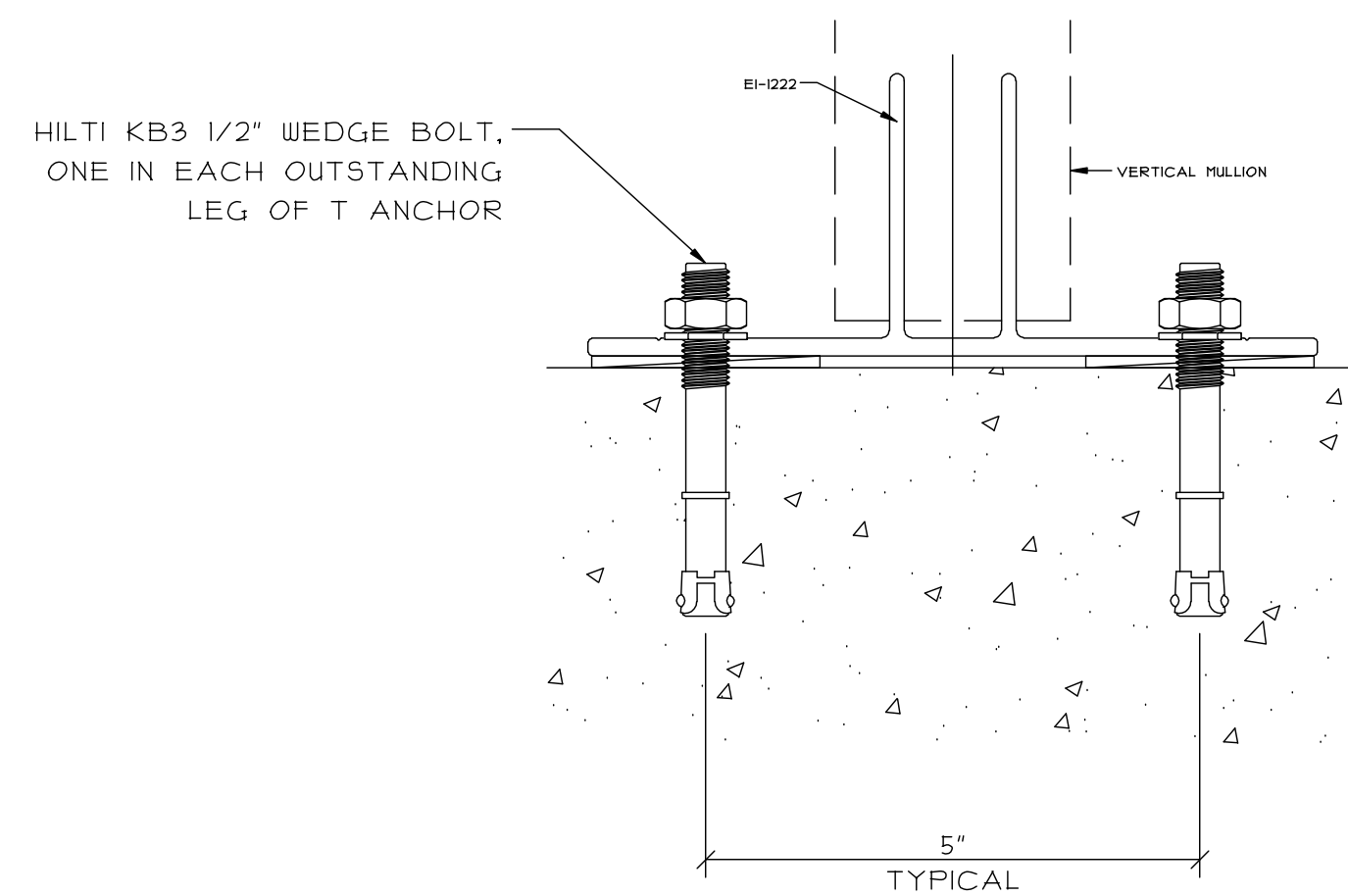
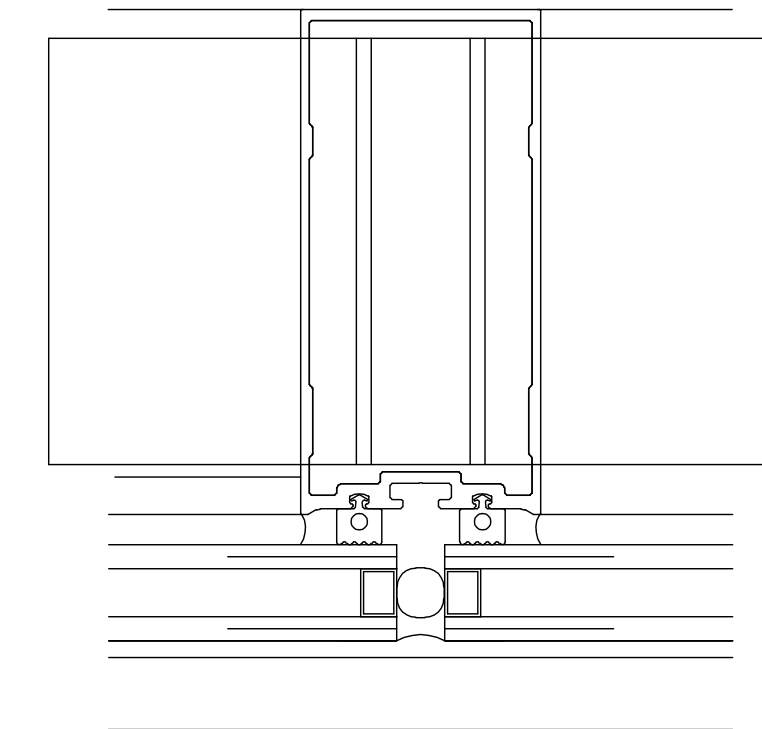
⑤ INTERMEDIATE "T" ANCHOR AT CAPTURED MULLION (HEAD SHOWN SILL SIMILAR)



⑥ TYPICAL JAMB "F" ANCHOR (HEAD SHOWN SILL SIMILAR)



⑦ INTERMEDIATE "T" ANCHOR AT SSG MULLION (HEAD SHOWN SILL SIMILAR)



REVISIONS:


GLAZING CONTRACTOR:

SAMPLE	SAMPLE	SAMPLE
SAMPLE	SAMPLE	SAMPLE
SAMPLE	SAMPLE	SAMPLE
SAMPLE	SAMPLE	SAMPLE
SAMPLE	SAMPLE	SAMPLE

ARCHITECT:

SAMPLE	SAMPLE	SAMPLE
SAMPLE	SAMPLE	SAMPLE
SAMPLE	SAMPLE	SAMPLE
SAMPLE	SAMPLE	SAMPLE
SAMPLE	SAMPLE	SAMPLE

PROJECT: SAMPLE SAMPLE SAMPLE

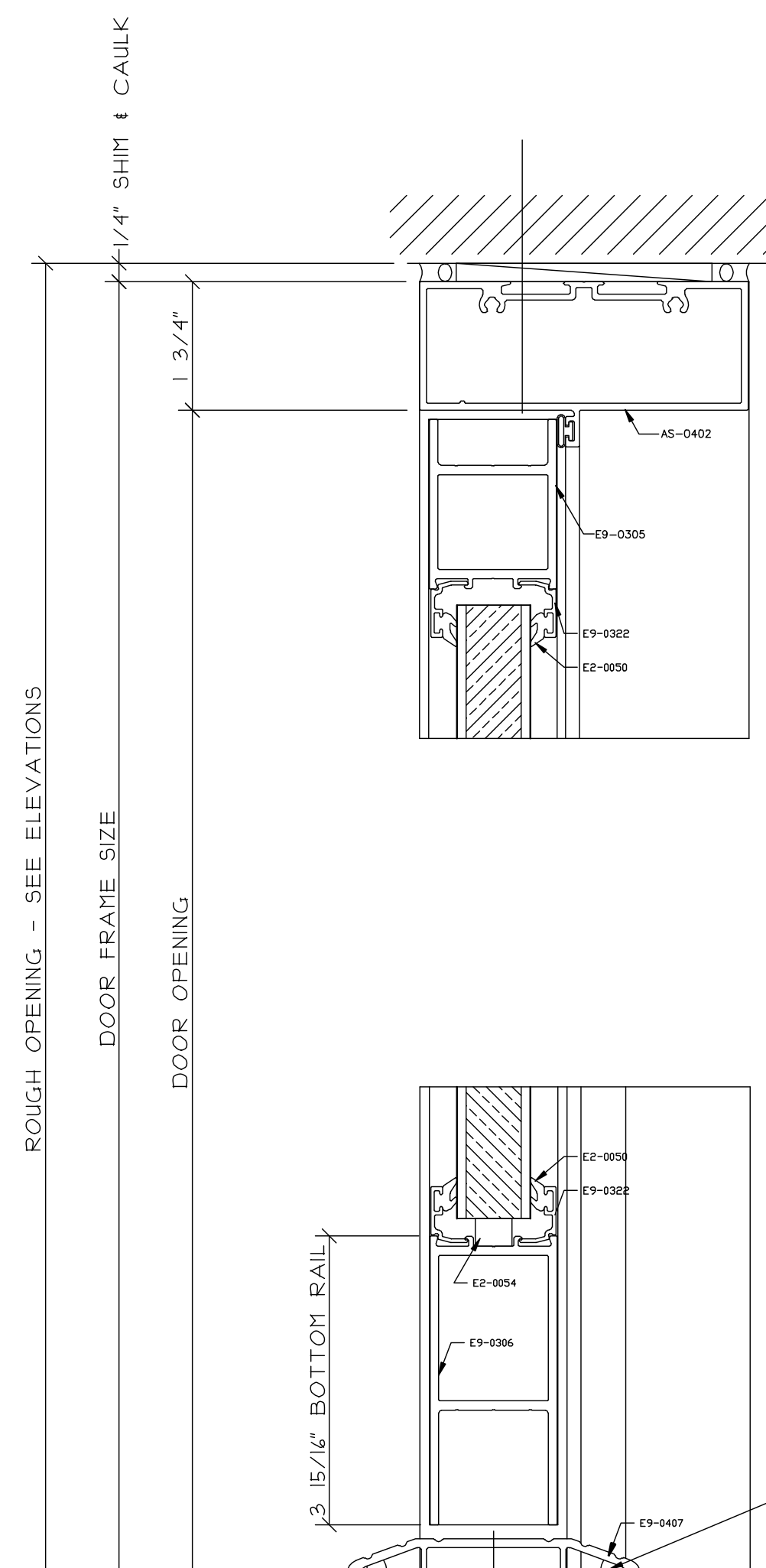
LOCATION: SAMPLE SAMPLE SAMPLE

SCALE: 6" = 1'-0"

DATE: SAMPLE

DRAWN: SAMPLE

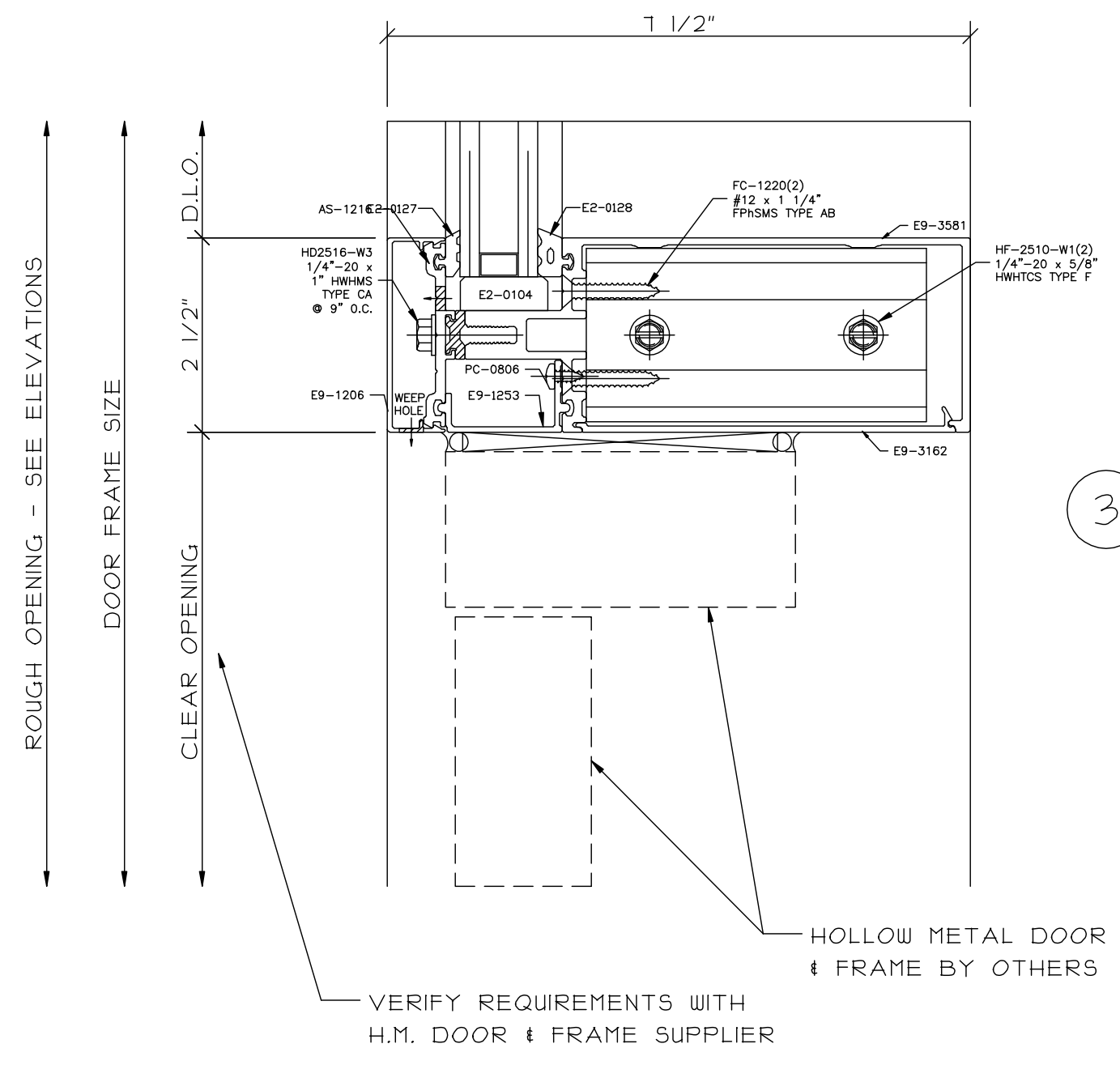
PAGE: 7 of 9



① TRANSOM W/  
DOOR HEAD

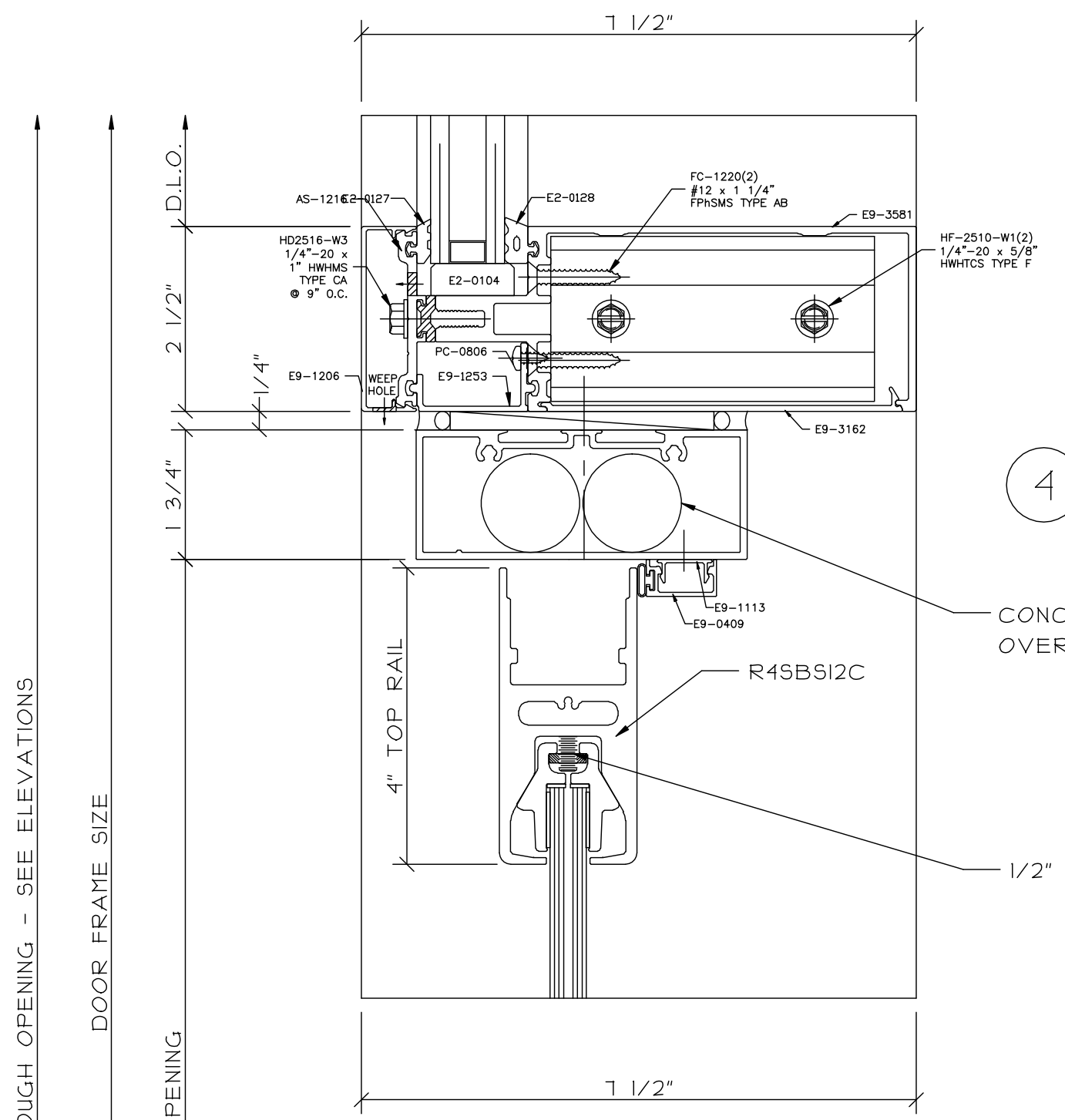
② DOOR BOTTOM

BED THRESHOLDS IN  
CONTINUOUS SEALANT  
SURROUNDING CONDITIONS  
BY OTHERS



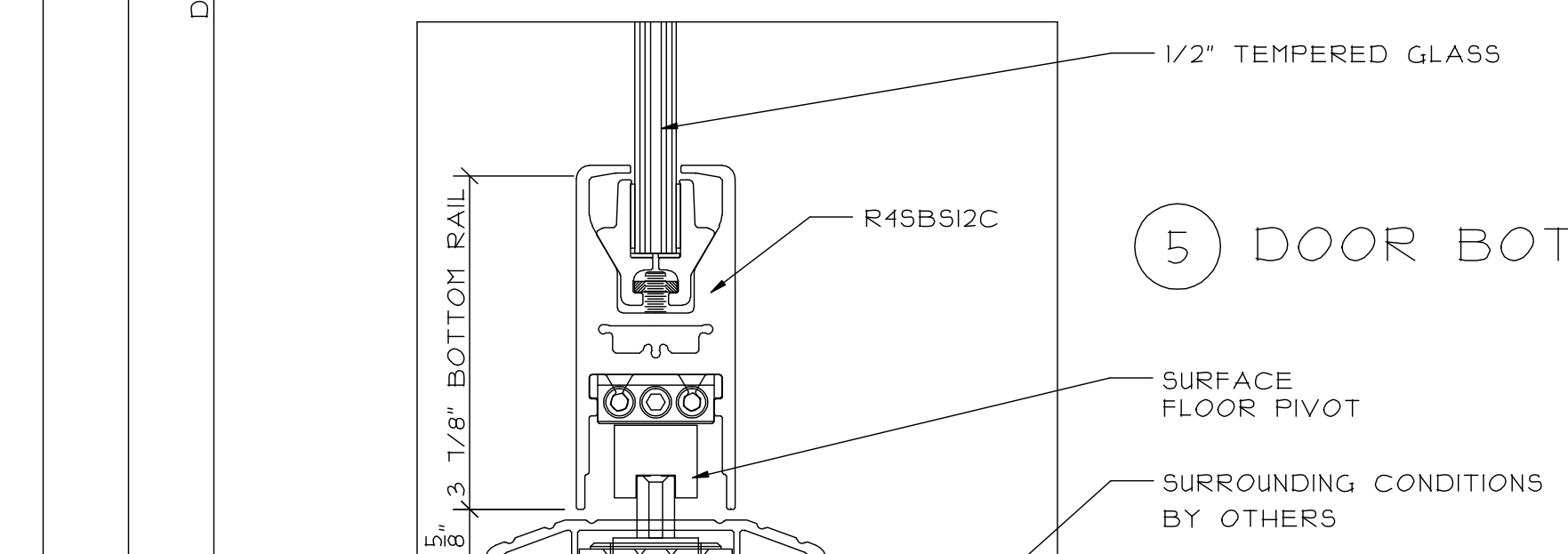
③ TRANSOM W/  
DOOR HEAD

HOLLOW METAL DOOR  
& FRAME BY OTHERS  
VERIFY REQUIREMENTS WITH  
H.M. DOOR & FRAME SUPPLIER



④ TRANSOM W/  
DOOR HEAD

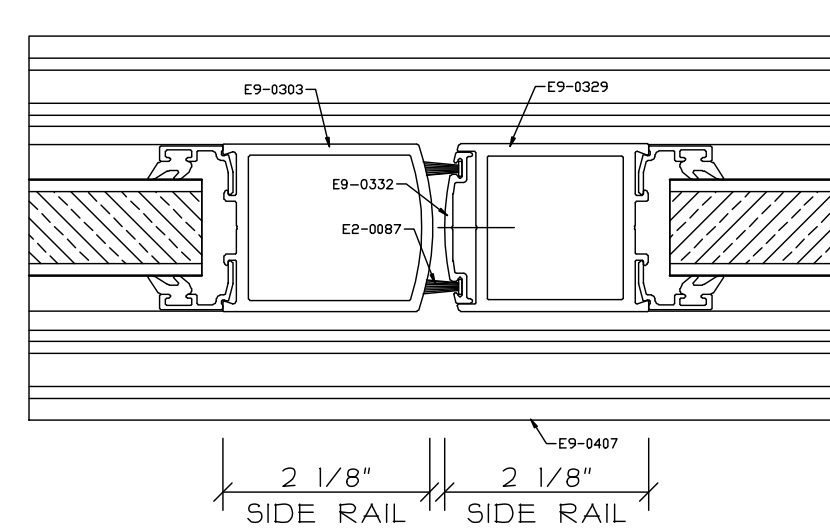
CONCEALED  
OVERHEAD CLOSER  
1/2\"/>



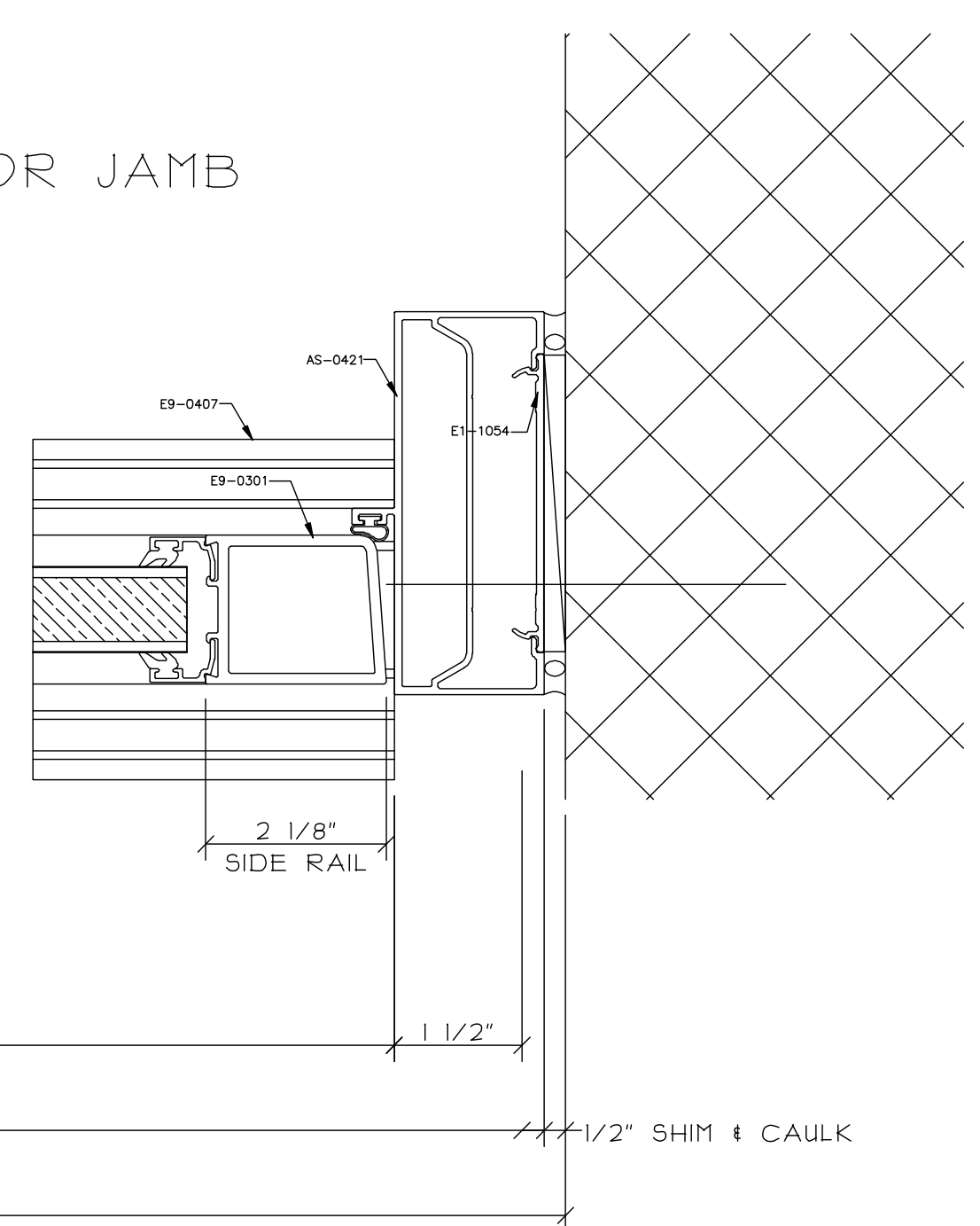
⑤ DOOR BOTTOM

1/2\"/>

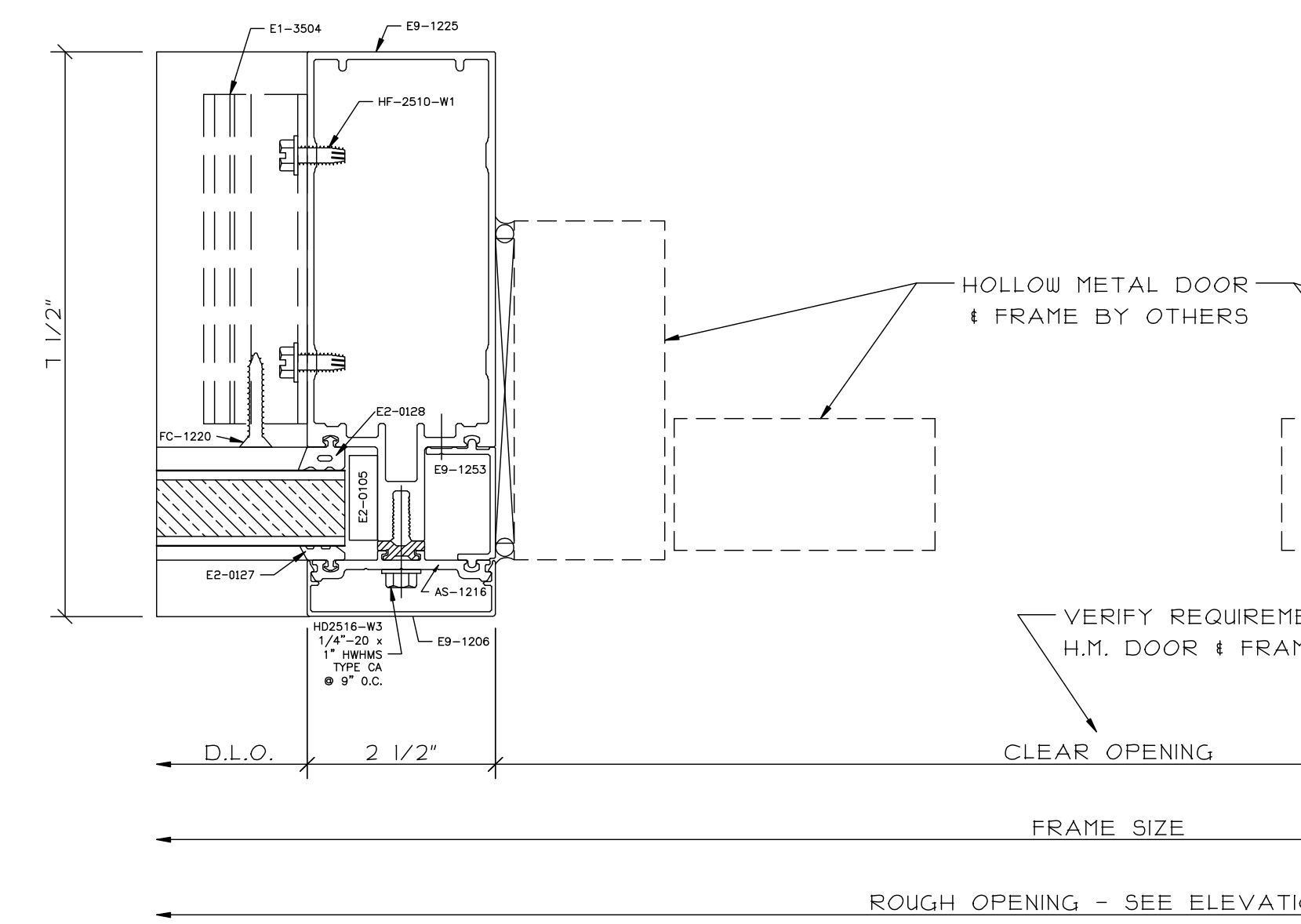
⑥ MEETING RAIL



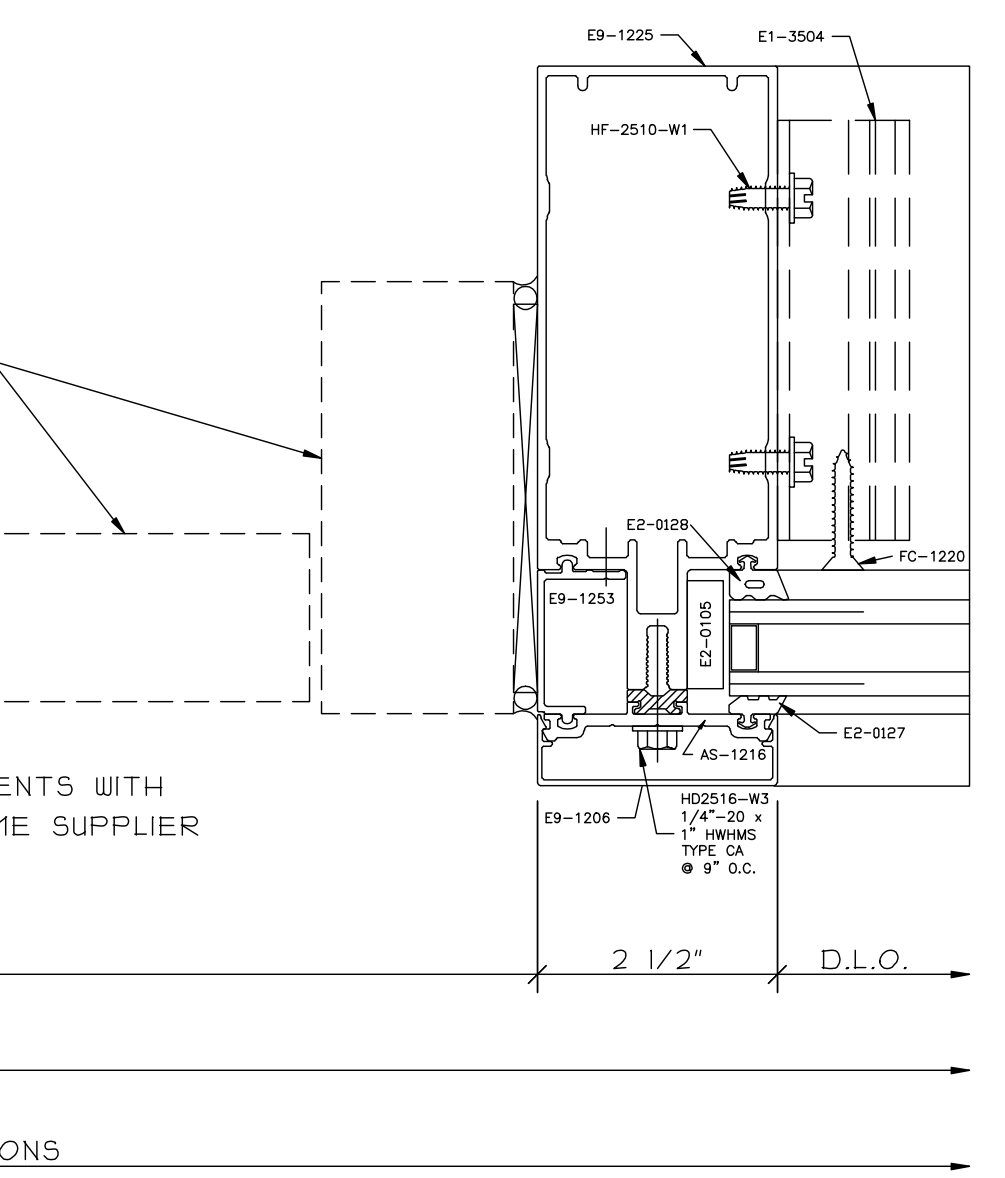
⑦ DOOR JAMB



⑧ DOOR JAMB W/  
SIDELIGHT



⑨ DOOR JAMB W/  
SIDELIGHT



HOLLOW METAL DOOR  
& FRAME BY OTHERS  
VERIFY REQUIREMENTS WITH  
H.M. DOOR & FRAME SUPPLIER

ROUGH OPENING - SEE ELEVATIONS

DOOR FRAME SIZE

DOOR OPENING

ROUGH OPENING - SEE ELEVATIONS

DOOR FRAME SIZE

CLEAR OPENING

I.D.L.O.

ROUGH OPENING - SEE ELEVATIONS

DOOR FRAME SIZE

DOOR OPENING

DOOR OPENING

FRAME SIZE

ROUGH OPENING

1/2\"/>

1 1/2\"/>

D.L.O.

2 1/2\"/>

CLEAR OPENING

FRAME SIZE

ROUGH OPENING - SEE ELEVATIONS

2 1/2\"/>

D.L.O.

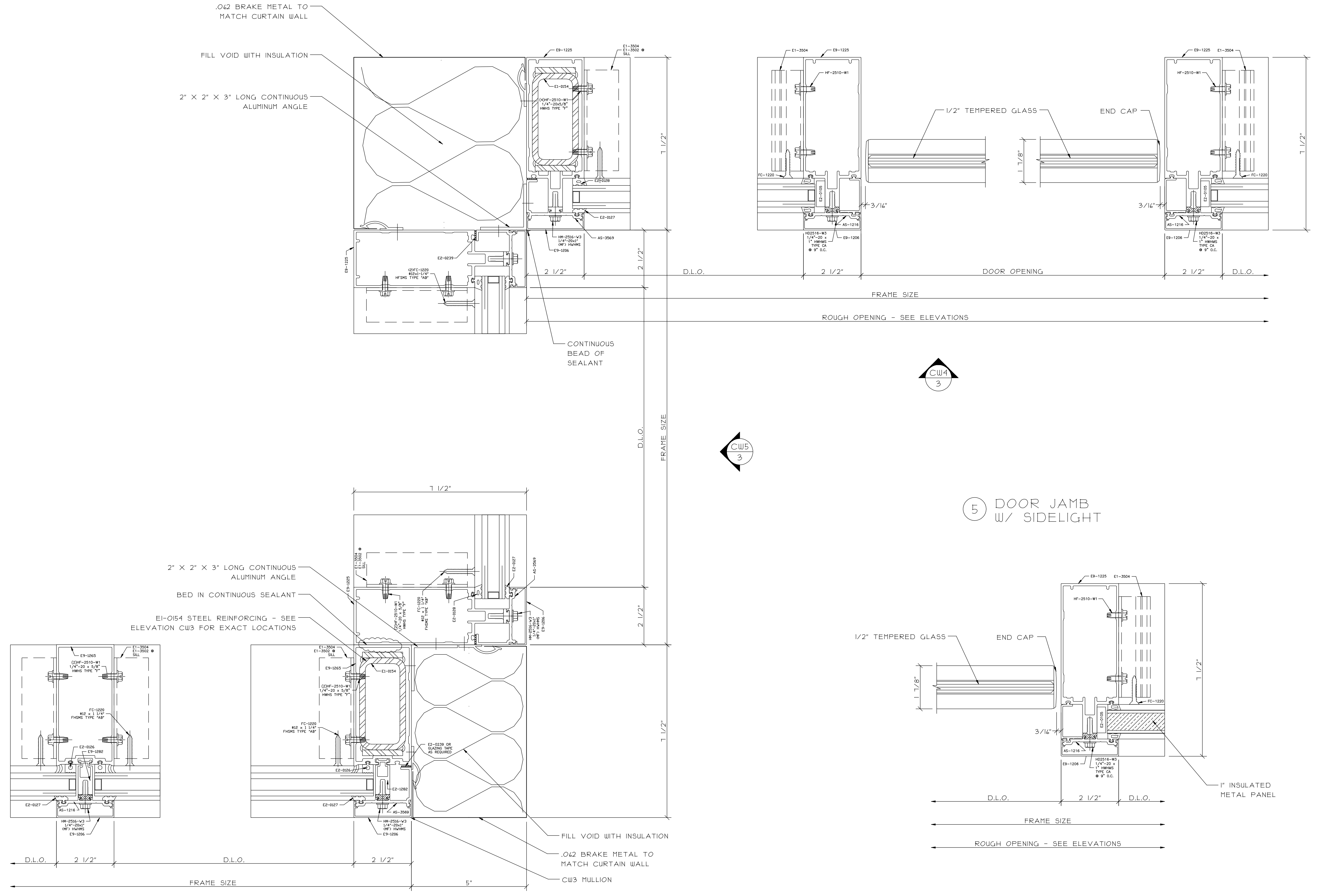
PROJECT:	SAMPLE SAMPLE SAMPLE
LOCATION:	SAMPLE SAMPLE SAMPLE
SCALE:	6" = 1'-0"
DATE:	SAMPLE
DRAWN:	SAMPLE
PAGE:	8 of 9
GLAZING CONTRACTOR:	SAMPLE SAMPLE SAMPLE
ARCHITECT:	SAMPLE SAMPLE SAMPLE
REVISIONS:	
DATE:	



② INSIDE CORNER

③ DOOR JAMB W/ SIDELIGHT

④ DOOR JAMB W/ SIDELIGHT



①A OUTSIDE CORNER

① OUTSIDE CORNER

DATE:	
REVISIONS:	
GLAZING CONTRACTOR:	SAMPLE SAMPLE SAMPLE
ARCHITECT:	SAMPLE SAMPLE SAMPLE
PROJECT:	SAMPLE SAMPLE SAMPLE
LOCATION:	SAMPLE SAMPLE SAMPLE
SCALE:	6" = 1'-0"
DATE:	SAMPLE
DRAWN:	SAMPLE
PAGE:	9 of 9