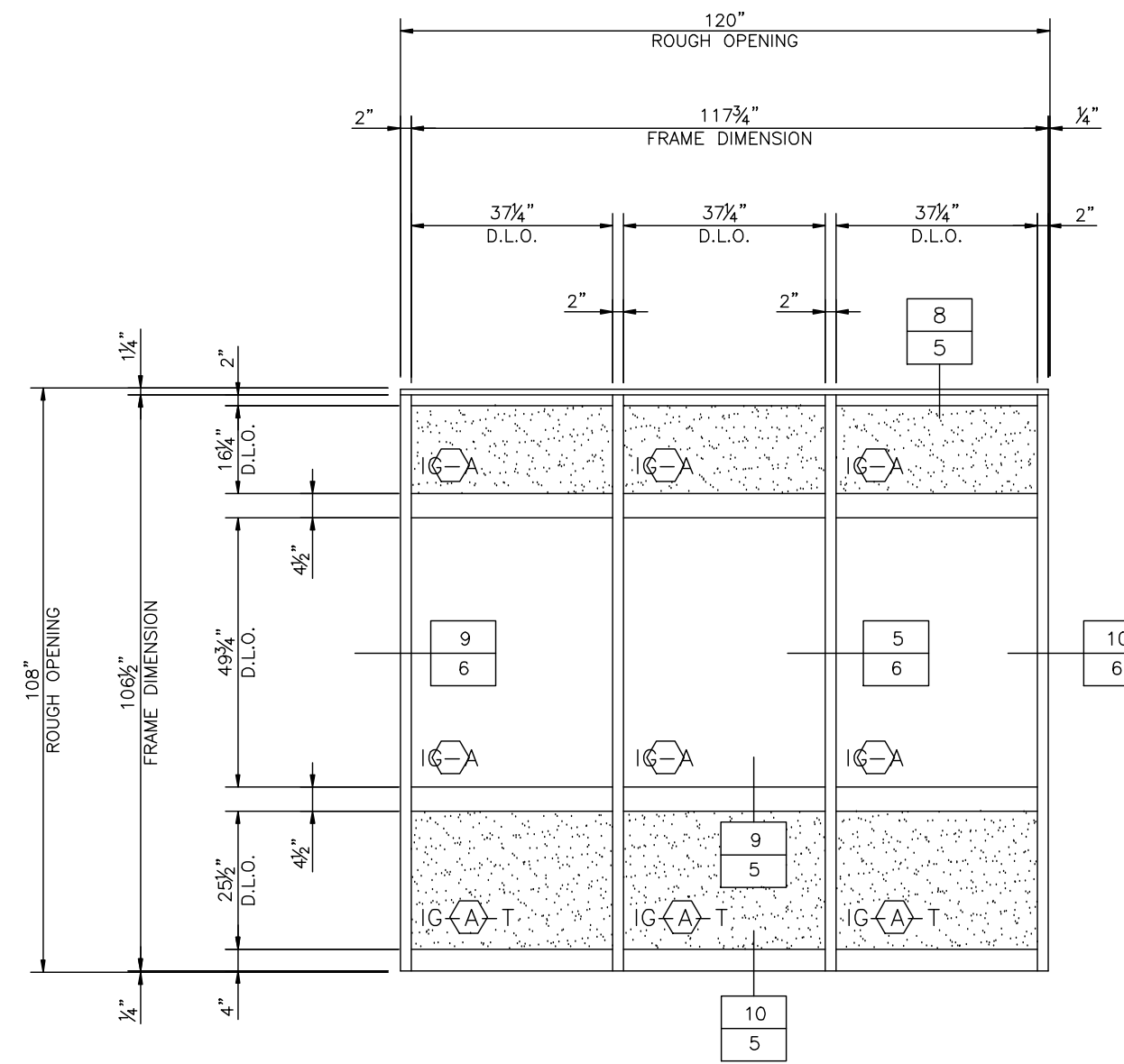
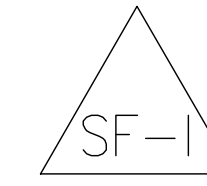
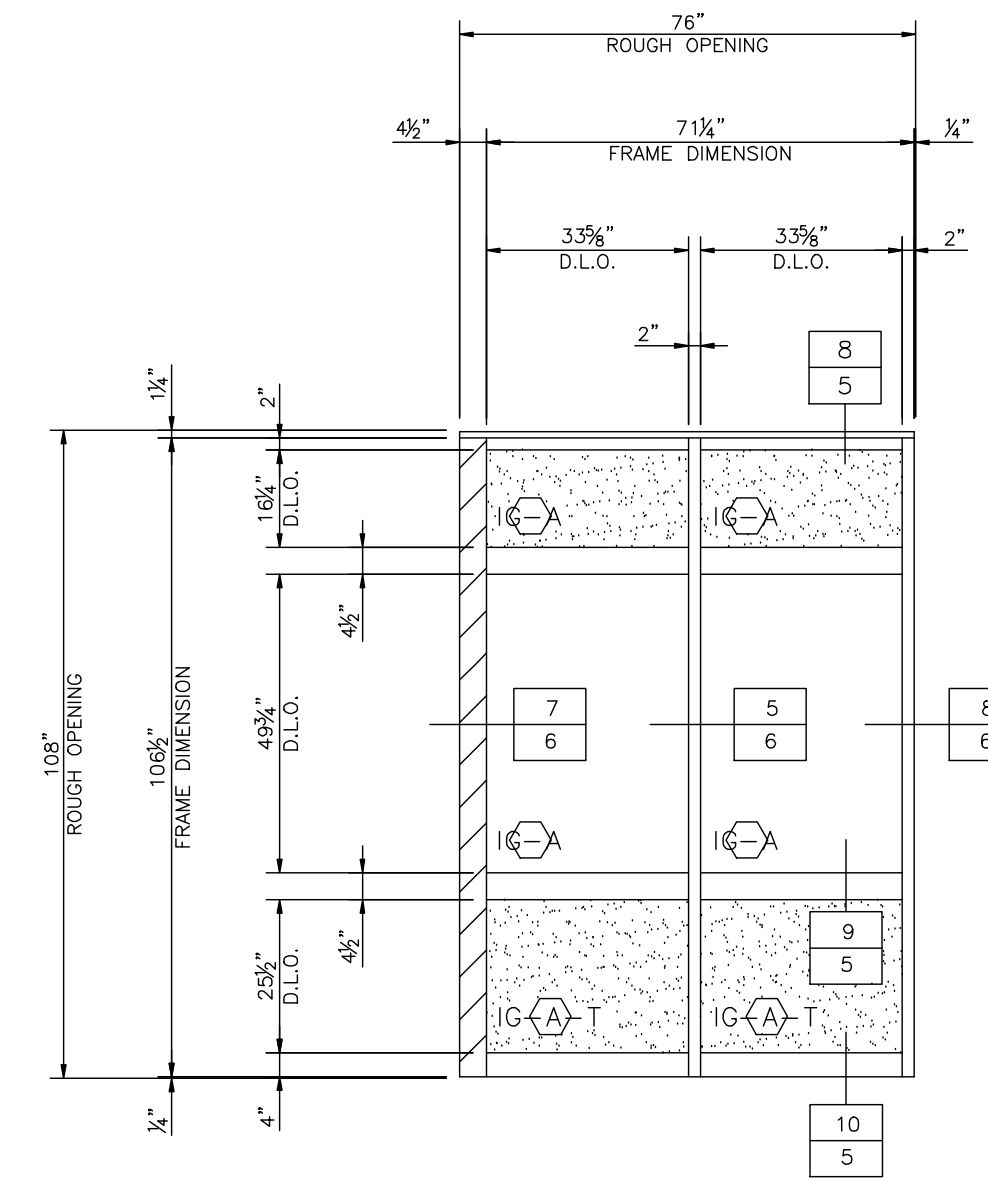


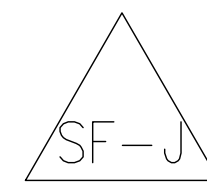
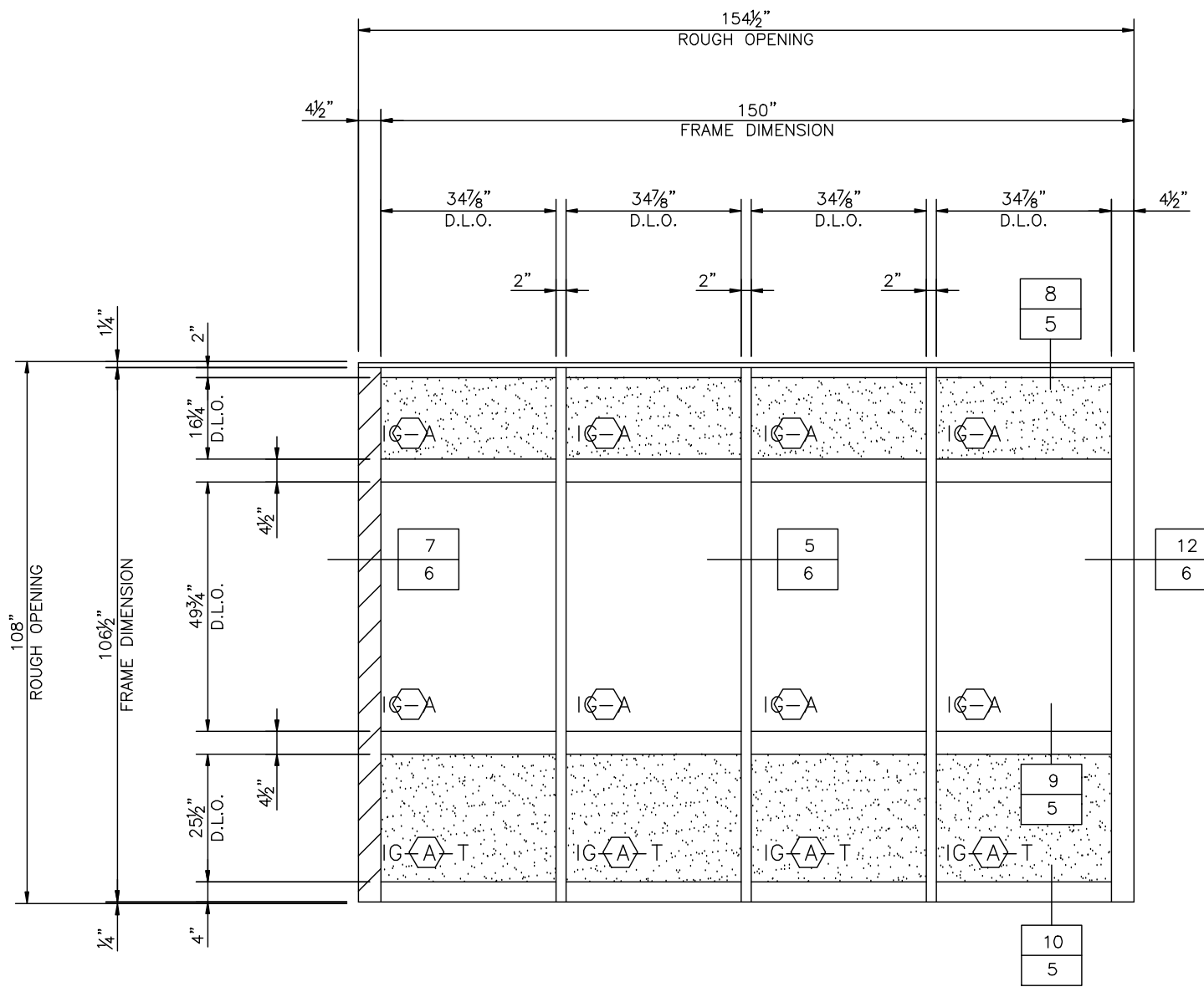
(1) REQ'D THUS  
403 2" X 4 1/2" STOREFRONT  
ARCH. REF.: G/HS-A902  
GLASS: 1" IG-A & IG-A-T  
INTERIOR



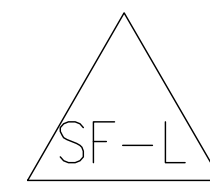
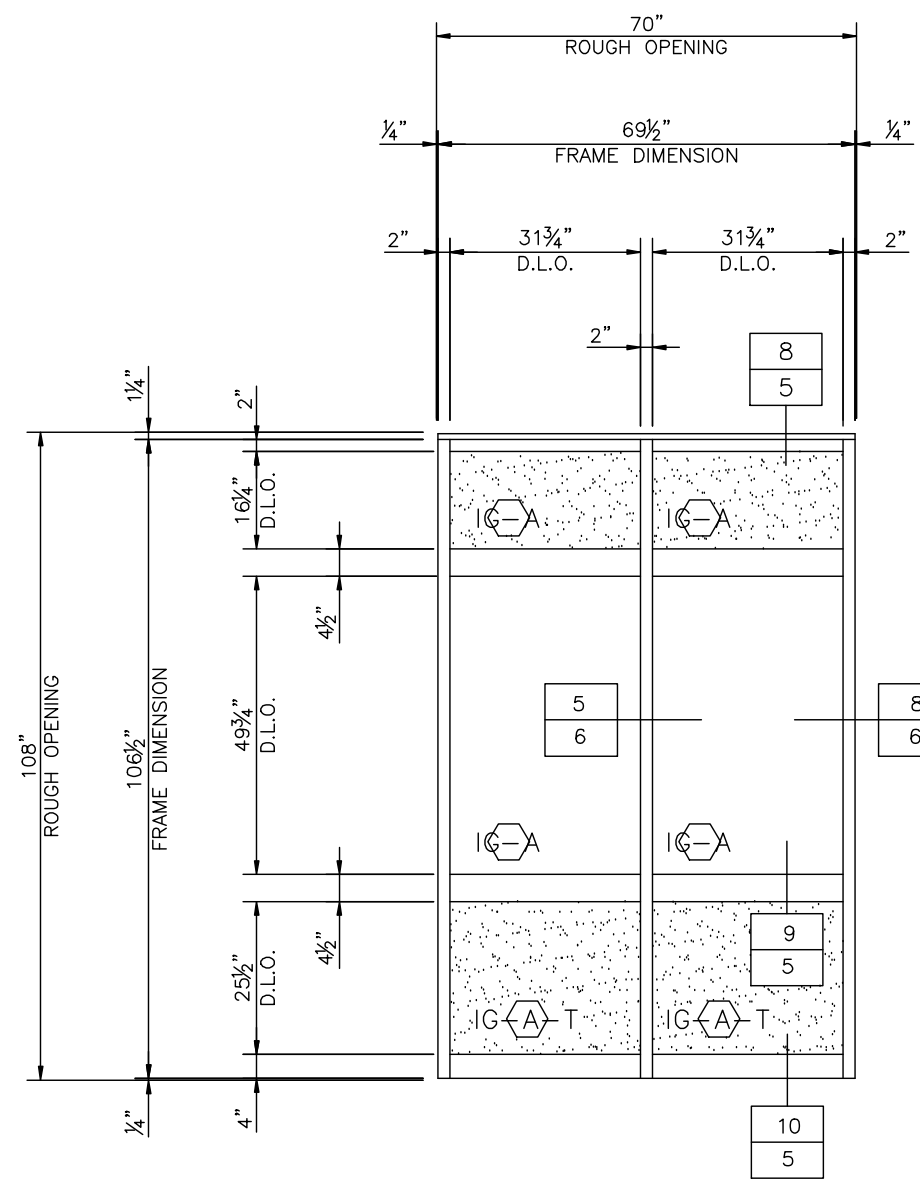
(1) REQ'D THUS  
403 2" X 4 1/2" STOREFRONT  
ARCH. REF.: H/HS-A902  
GLASS: 1" IG-A & IG-A-T  
INTERIOR



(1) REQ'D THUS  
403 2" X 4 1/2" STOREFRONT  
ARCH. REF.: I/HS-A902  
GLASS: 1" IG-A & IG-A-T  
INTERIOR



(1) REQ'D THUS  
403 2" X 4 1/2" STOREFRONT  
ARCH. REF.: J/HS-A902  
GLASS: 1" IG-A & IG-A-T  
INTERIOR

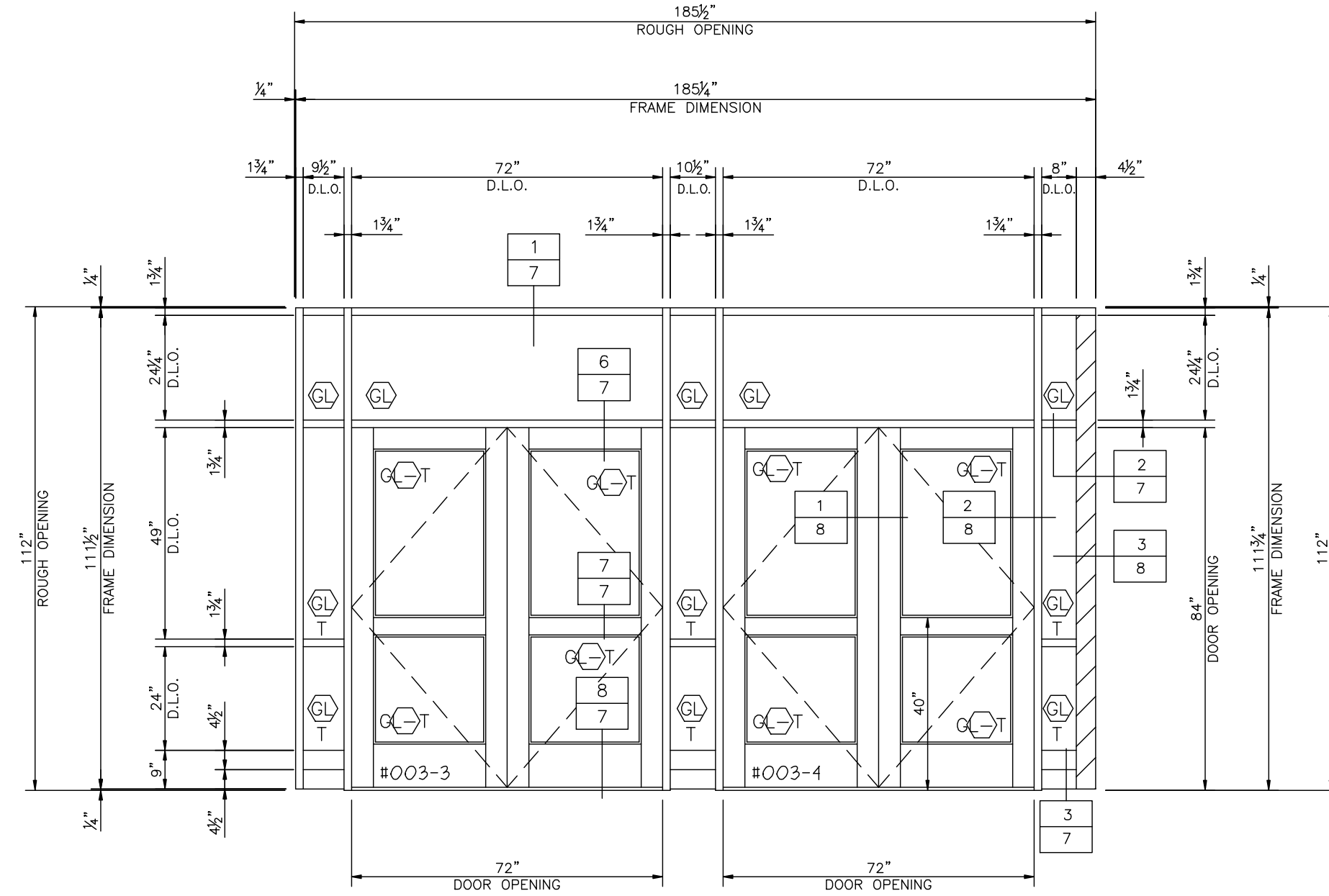


(1) REQ'D THUS  
403 2" X 4 1/2" STOREFRONT  
ARCH. REF.: L/HS-A902  
GLASS: 1" IG-A & IG-A-T  
INTERIOR



**LEGEND**

WINDOW FILM  
BY OTHERS



(1) REQ'D THUS  
401 1 3/4" X 4 1/2" STOREFRONT  
ARCH. REF.: 8/HS-A901A  
GLASS: 1/4" GL & GL-T  
D500 DOORS - DOOR GLASS: 1/4" GL-T  
DOOR #003-3 HARDWARE SET #13  
DOOR #003-4 HARDWARE SET #36  
INTERIOR

REVISIONS:	DATE:

GLAZING CONTRACTOR:  
SAMPLE SAMPLE SAMPLE  
SAMPLE SAMPLE SAMPLE  
SAMPLE SAMPLE SAMPLE  
SAMPLE SAMPLE SAMPLE

ARCHITECT:  
SAMPLE SAMPLE SAMPLE  
SAMPLE SAMPLE SAMPLE  
SAMPLE SAMPLE SAMPLE  
SAMPLE SAMPLE SAMPLE

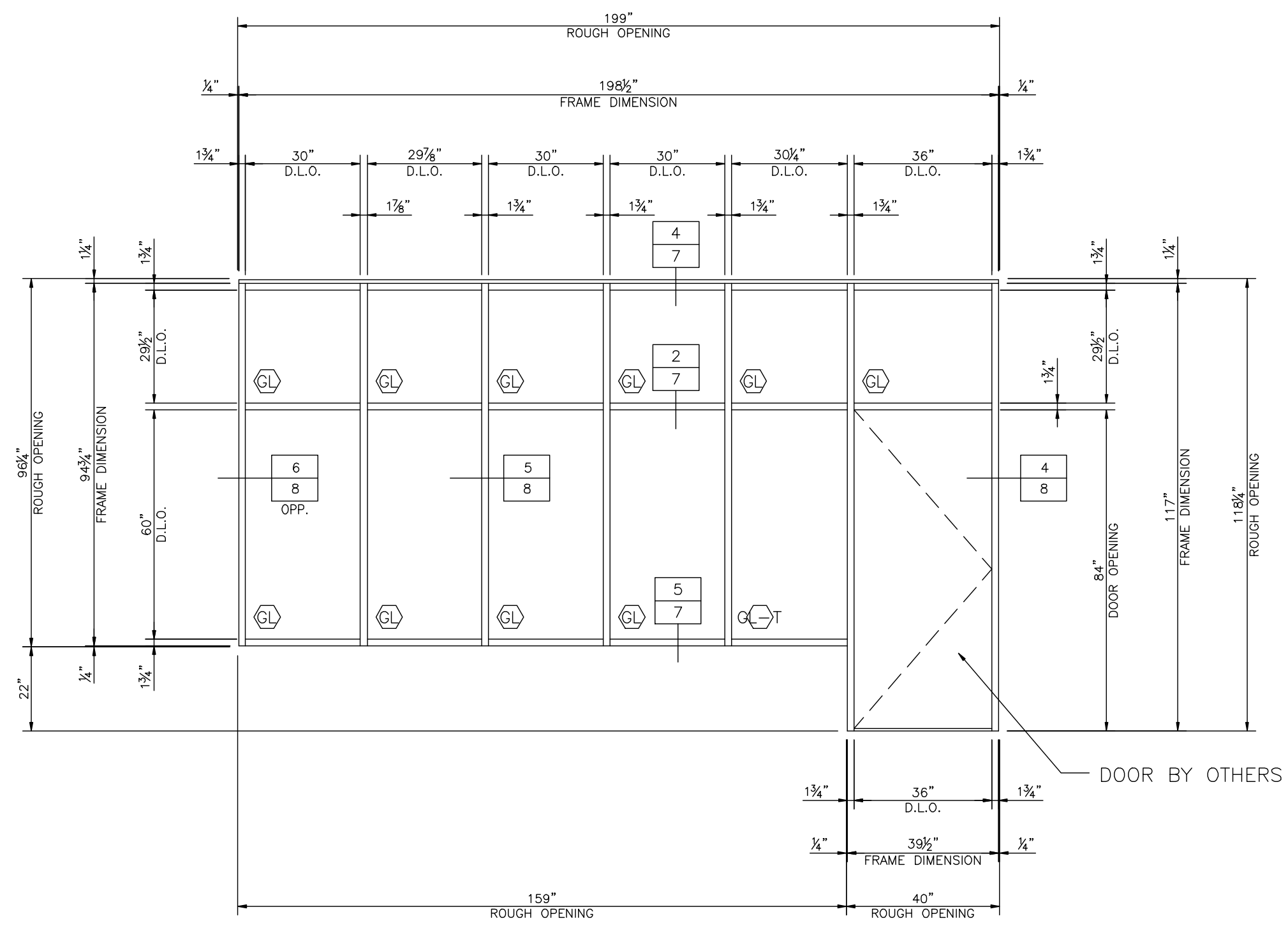
PROJECT: SAMPLE SAMPLE SAMPLE  
LOCATION: SAMPLE SAMPLE SAMPLE

SCALE:  
3/8" = 1'-0"

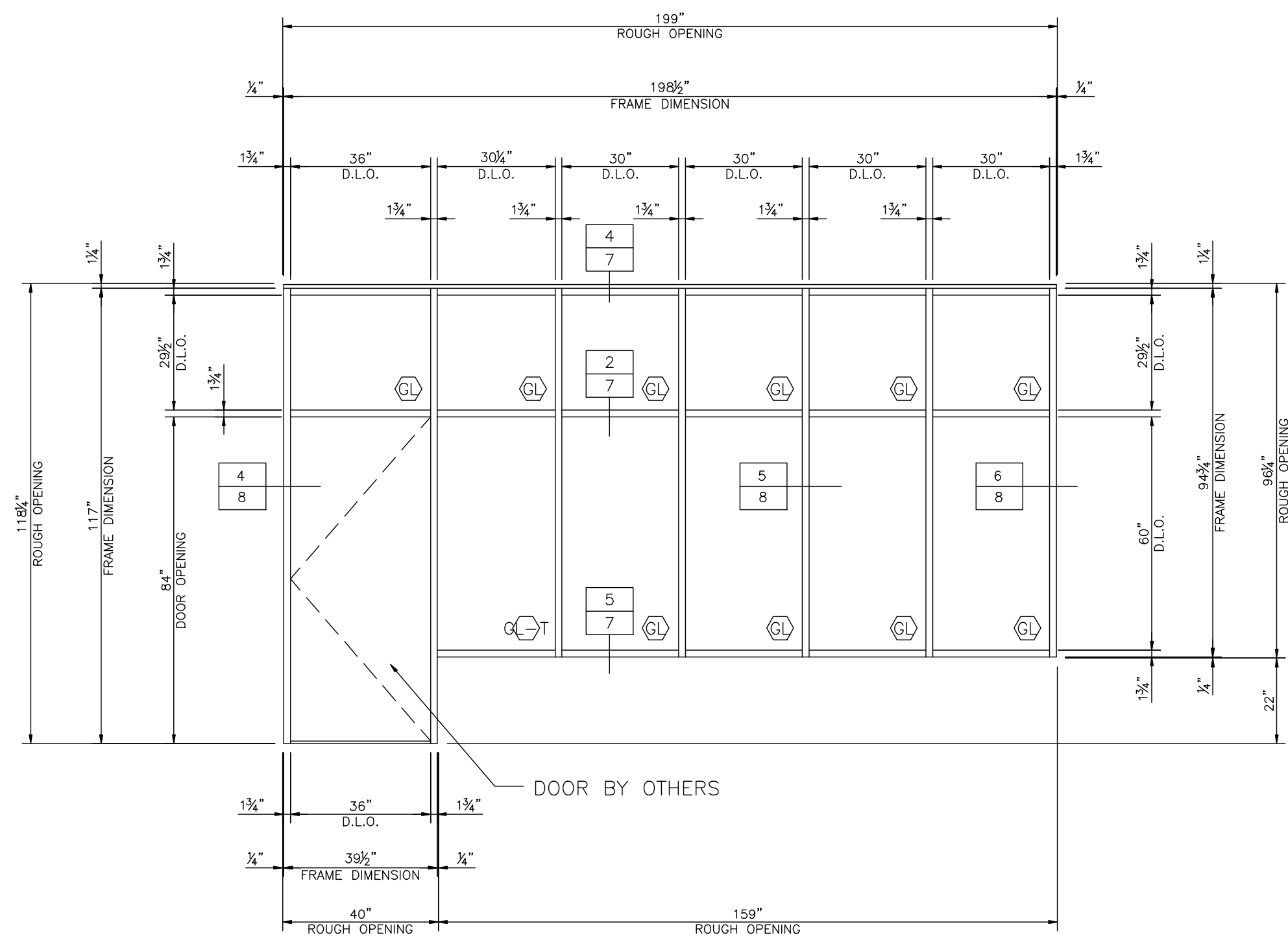
DATE:  
SAMPLE

DRAWN:  
SAMPLE

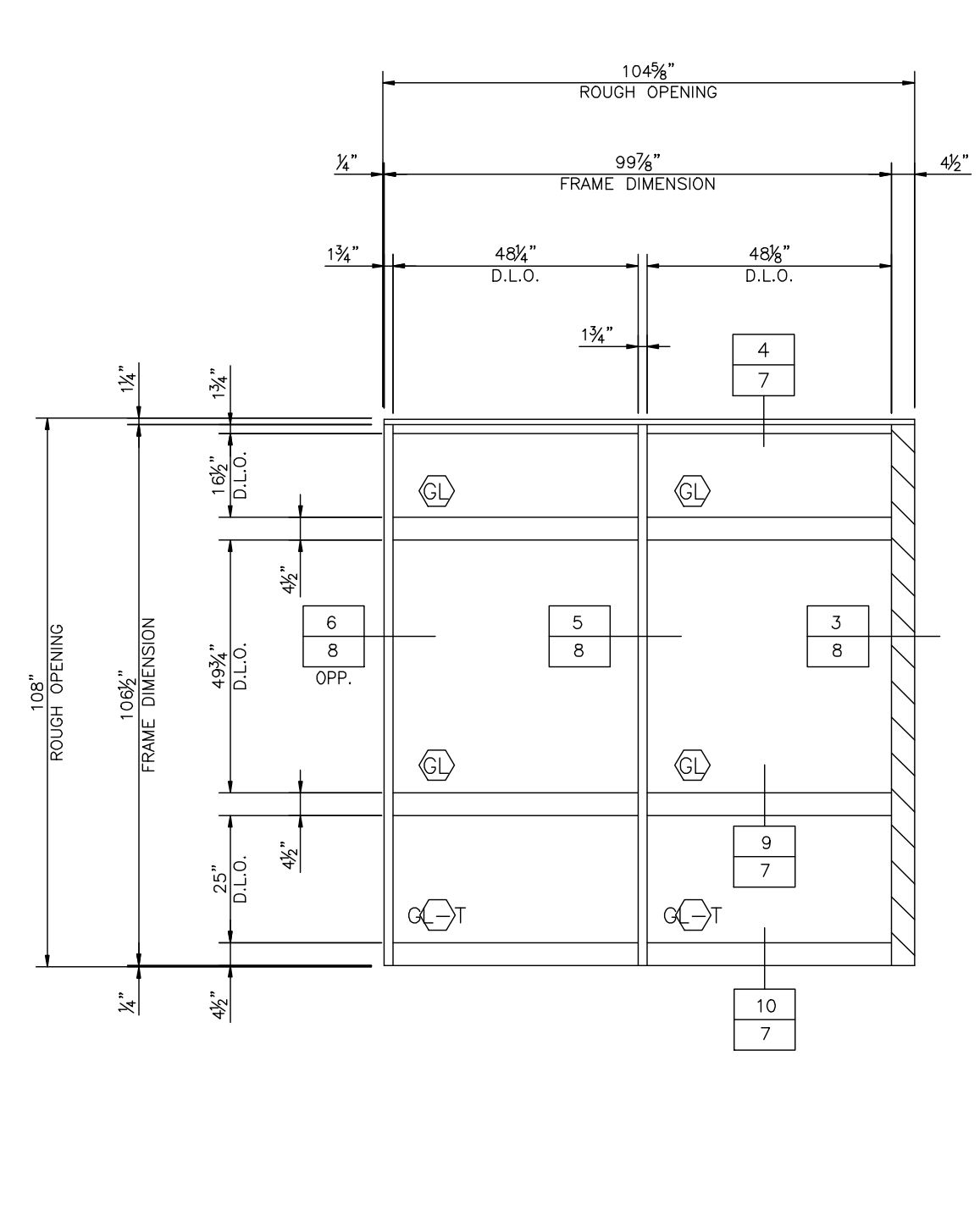
PAGE:  
2 of 12



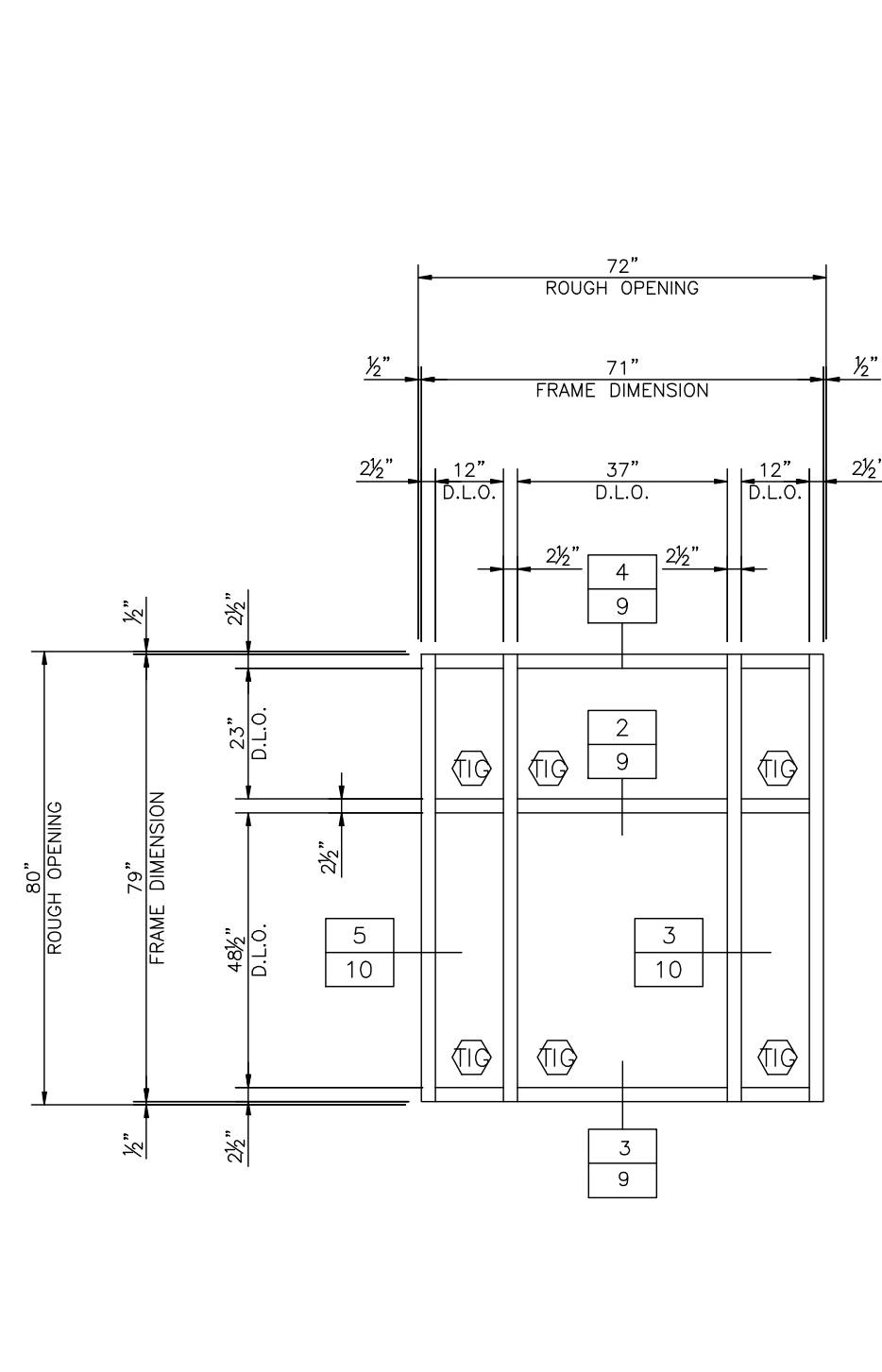
**SF10**  
 (1) REQ'D THUS  
 401 1 3/4" X 4 1/2" STOREFRONT  
 ARCH. REF.: 10/HS-A901A  
 GLASS: 1/4" GL & GL-T  
 INTERIOR  
 (DOOR #145-1 HARDWARE SET #41)



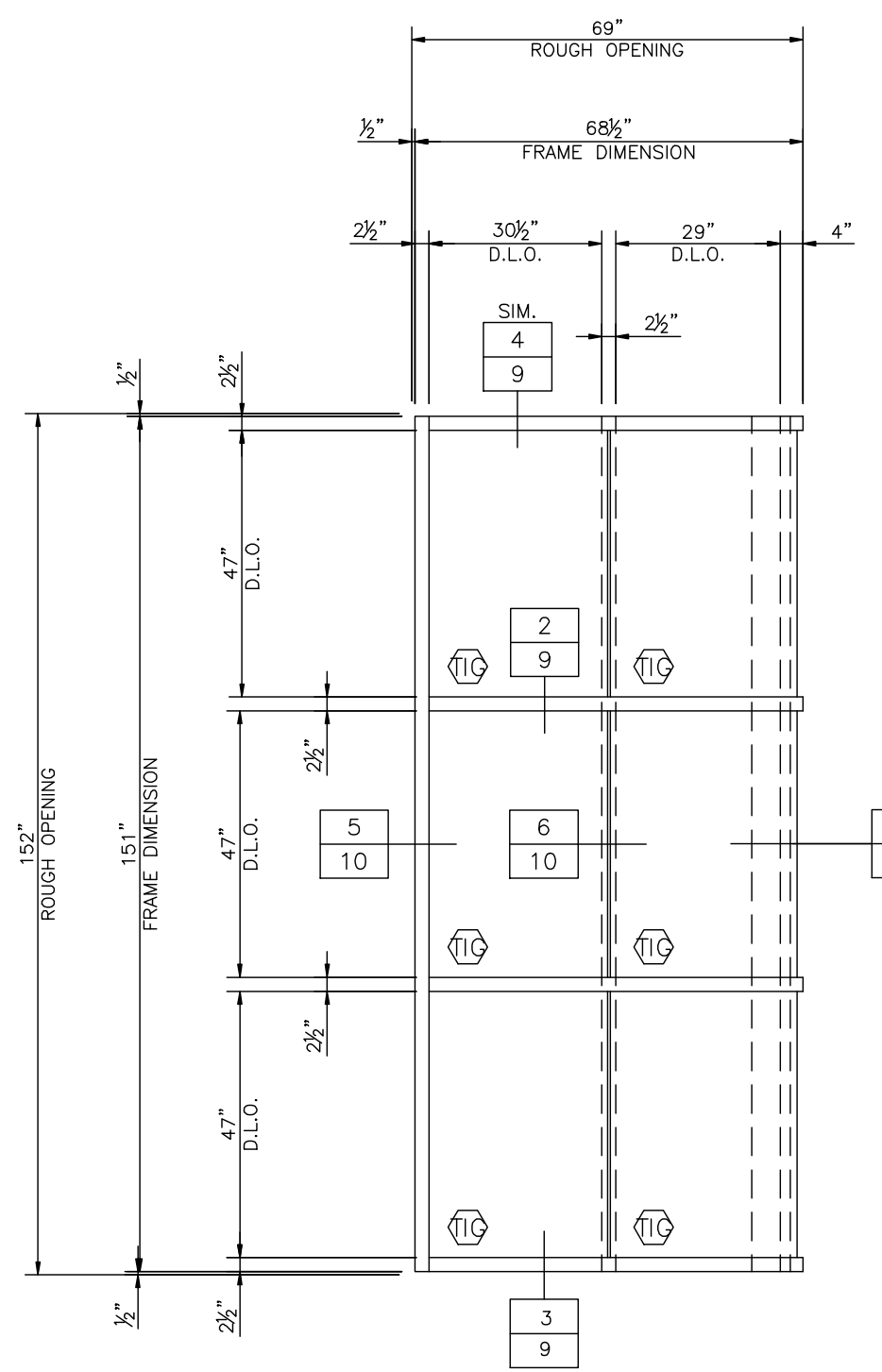
**SF11**  
 (1) REQ'D THUS  
 401 1 3/4" X 4 1/2" STOREFRONT  
 ARCH. REF.: 11/HS-A901A  
 GLASS: 1/4" GL & GL-T  
 INTERIOR  
 (DOOR #145-2 HARDWARE SET #41)



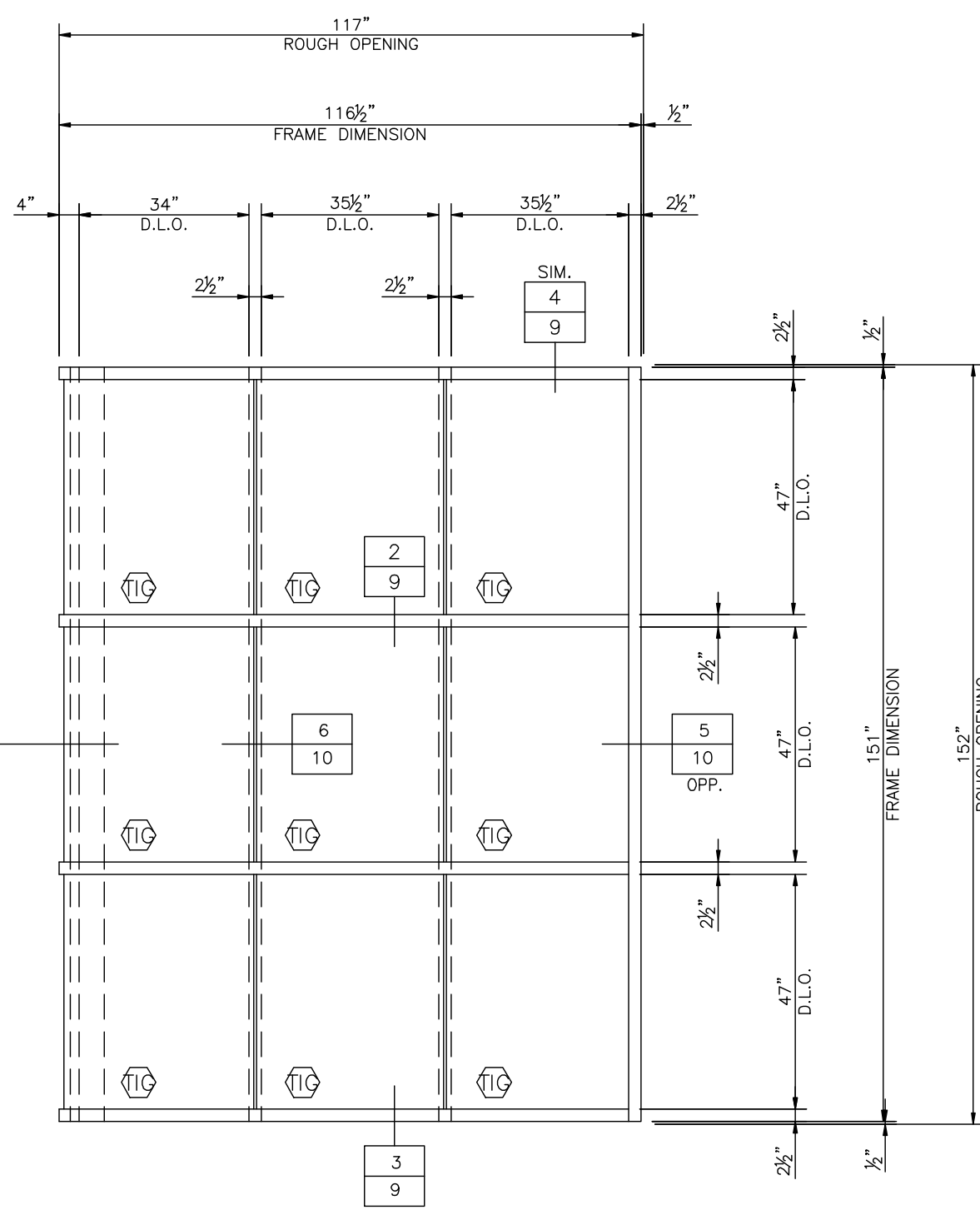
**SF-K**  
 (1) REQ'D THUS  
 401 1 3/4" X 4 1/2" STOREFRONT  
 ARCH. REF.: K/HS-A902  
 GLASS: 1" GL & GL-T  
 INTERIOR



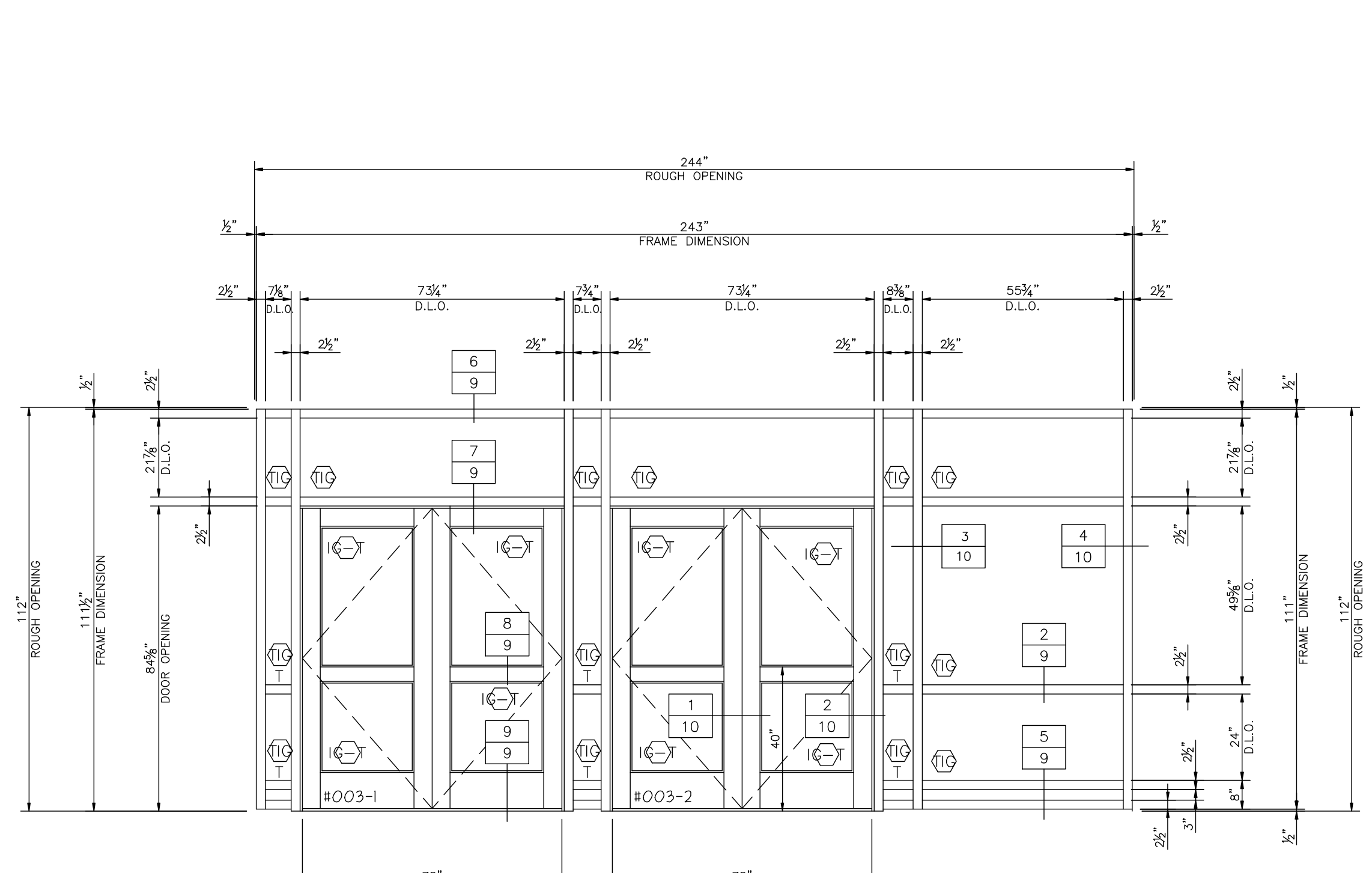
**CW-B**  
 (8) REQ'D THUS  
 5600 2 1/2" X 7 1/4" CURTAIN WALL  
 ARCH. REF.: B/HS-A902  
 GLASS: 1" TIG



**CW-D**  
 (1) REQ'D THUS  
 5600 2 1/2" X 7 1/4" CURTAIN WALL  
 ARCH. REF.: D/HS-A902  
 GLASS: 1" TIG



**CW-C**  
 (1) REQ'D THUS  
 5600 2 1/2" X 7 1/4" CURTAIN WALL  
 ARCH. REF.: C/HS-A902  
 GLASS: 1" TIG



**CW7**  
 (1) REQ'D THUS  
 5600 2 1/2" X 7 1/4" CURTAIN WALL  
 ARCH. REF.: 7/HS-A901A  
 GLASS: 1" TIG & TIG-T  
 D500 DOORS - DOOR GLASS: IG-T  
 DOOR #003-1 HARDWARE SET #10  
 DOOR # 003-2 HARDWARE SET #12

REVISIONS:


GLAZING CONTRACTOR:

SAMPLE	SAMPLE	SAMPLE
SAMPLE	SAMPLE	SAMPLE
SAMPLE	SAMPLE	SAMPLE
SAMPLE	SAMPLE	SAMPLE
SAMPLE	SAMPLE	SAMPLE

ARCHITECT:

SAMPLE	SAMPLE	SAMPLE
SAMPLE	SAMPLE	SAMPLE
SAMPLE	SAMPLE	SAMPLE
SAMPLE	SAMPLE	SAMPLE
SAMPLE	SAMPLE	SAMPLE

PROJECT: SAMPLE SAMPLE SAMPLE  
 LOCATION: SAMPLE SAMPLE SAMPLE

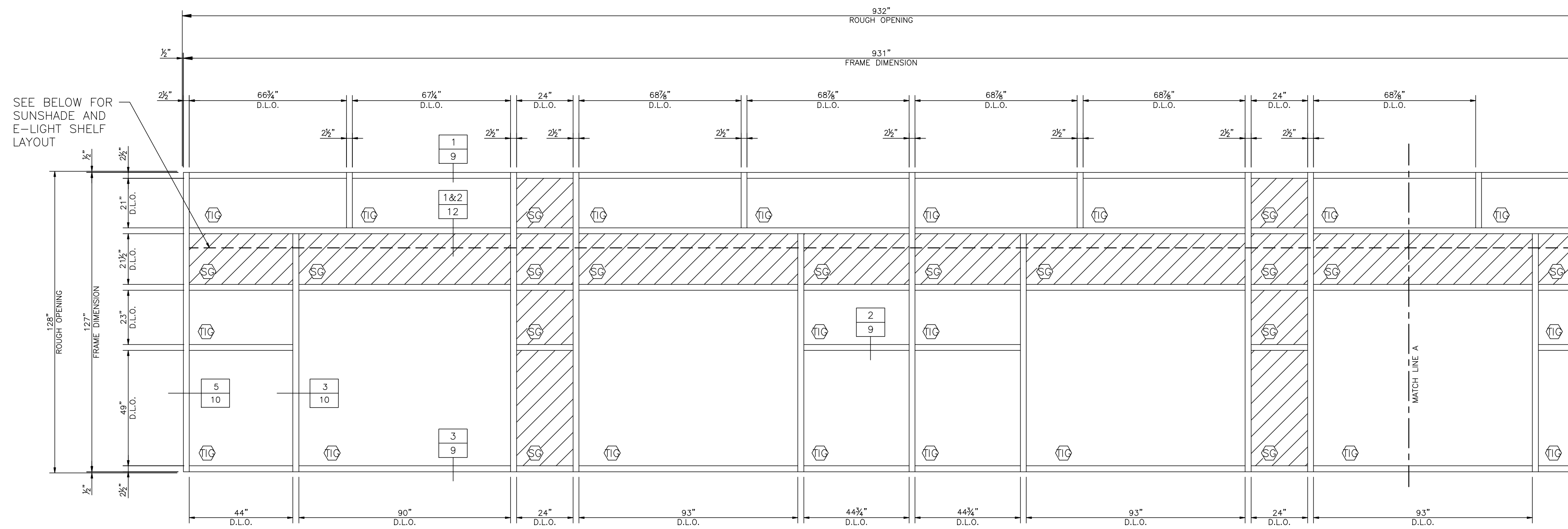
SCALE:  
 3/8" = 1'-0"

DATE:  
 SAMPLE

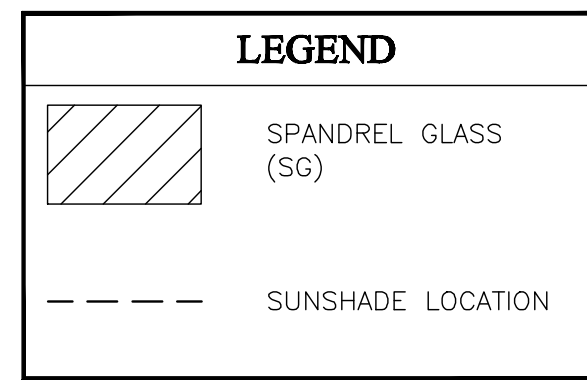
DRAWN:  
 SAMPLE

PAGE:  
 3 of 12

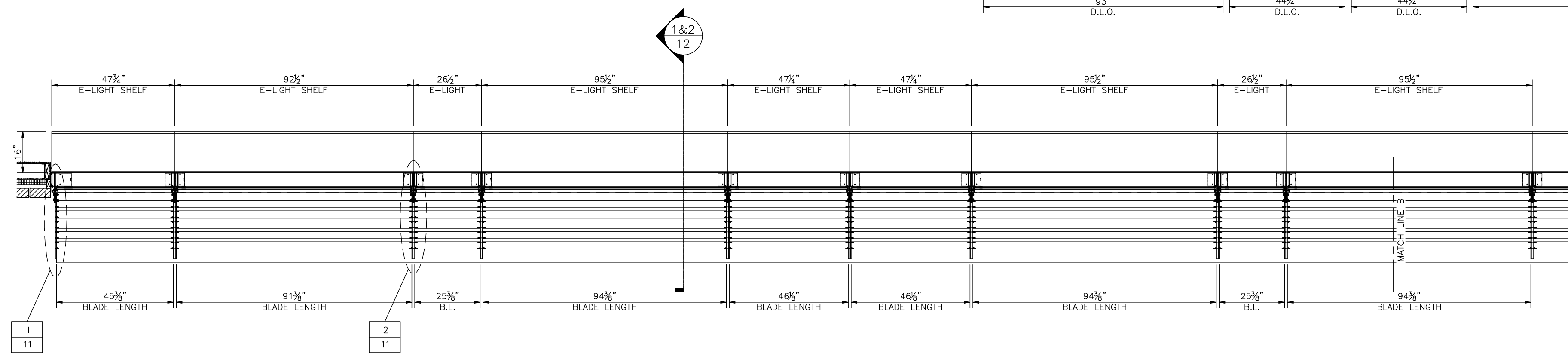
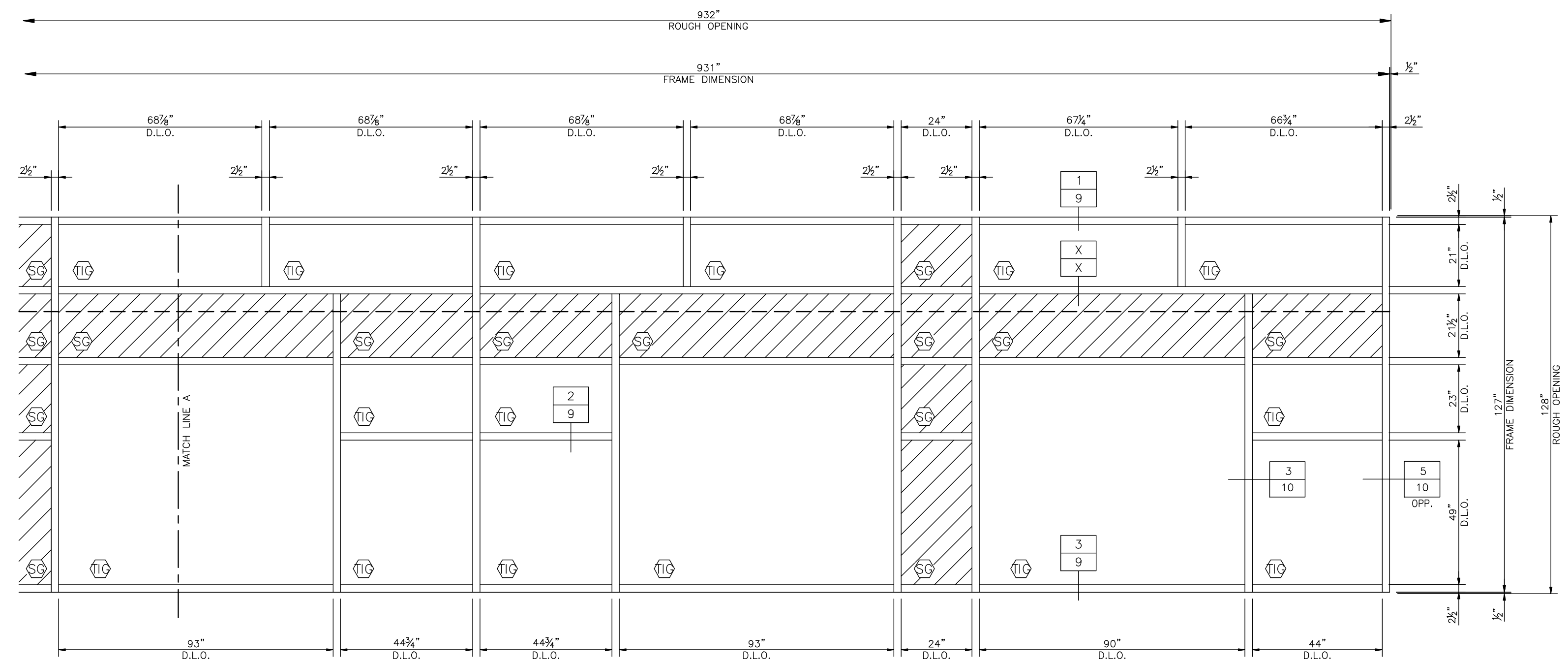
DATE:



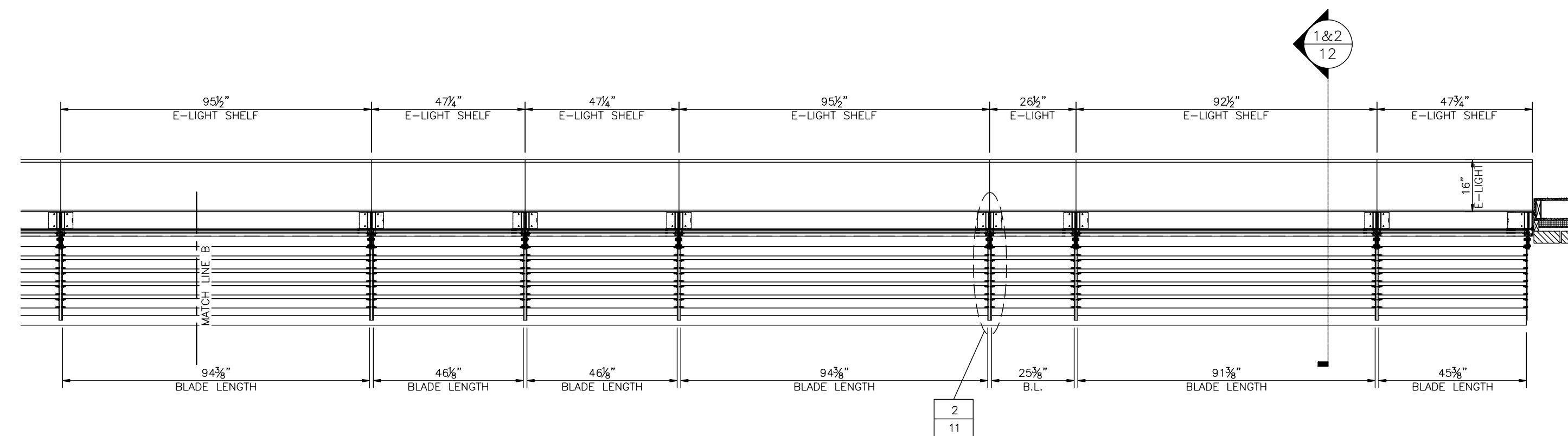
SEE BELOW FOR  
SUNSHADE AND  
E-LIGHT SHELF  
LAYOUT



**CW-A**  
(1) REQ'D THUS  
5600 2 1/2" X 7 1/4" CURTAIN WALL  
ARCH. REF.: A/HS-A902  
GLASS: 1" TIG & SG



**SH1**  
(1) REQ'D THUS  
6" X 28" SUNSHADE  
ARCH. REF.: 2/HS-A404  
4" BLADES 3" BULL NOSE  
& 16" E-LIGHT SHELF



REVISIONS:


GLAZING CONTRACTOR:

SAMPLE	SAMPLE	SAMPLE
SAMPLE	SAMPLE	SAMPLE
SAMPLE	SAMPLE	SAMPLE
SAMPLE	SAMPLE	SAMPLE
SAMPLE	SAMPLE	SAMPLE

ARCHITECT:

SAMPLE	SAMPLE	SAMPLE
SAMPLE	SAMPLE	SAMPLE
SAMPLE	SAMPLE	SAMPLE
SAMPLE	SAMPLE	SAMPLE
SAMPLE	SAMPLE	SAMPLE

PROJECT: SAMPLe SAMPLe SAMPLe  
LOCATION: SAMPLe SAMPLe SAMPLe

SCALE:  
3/8" = 1'-0"

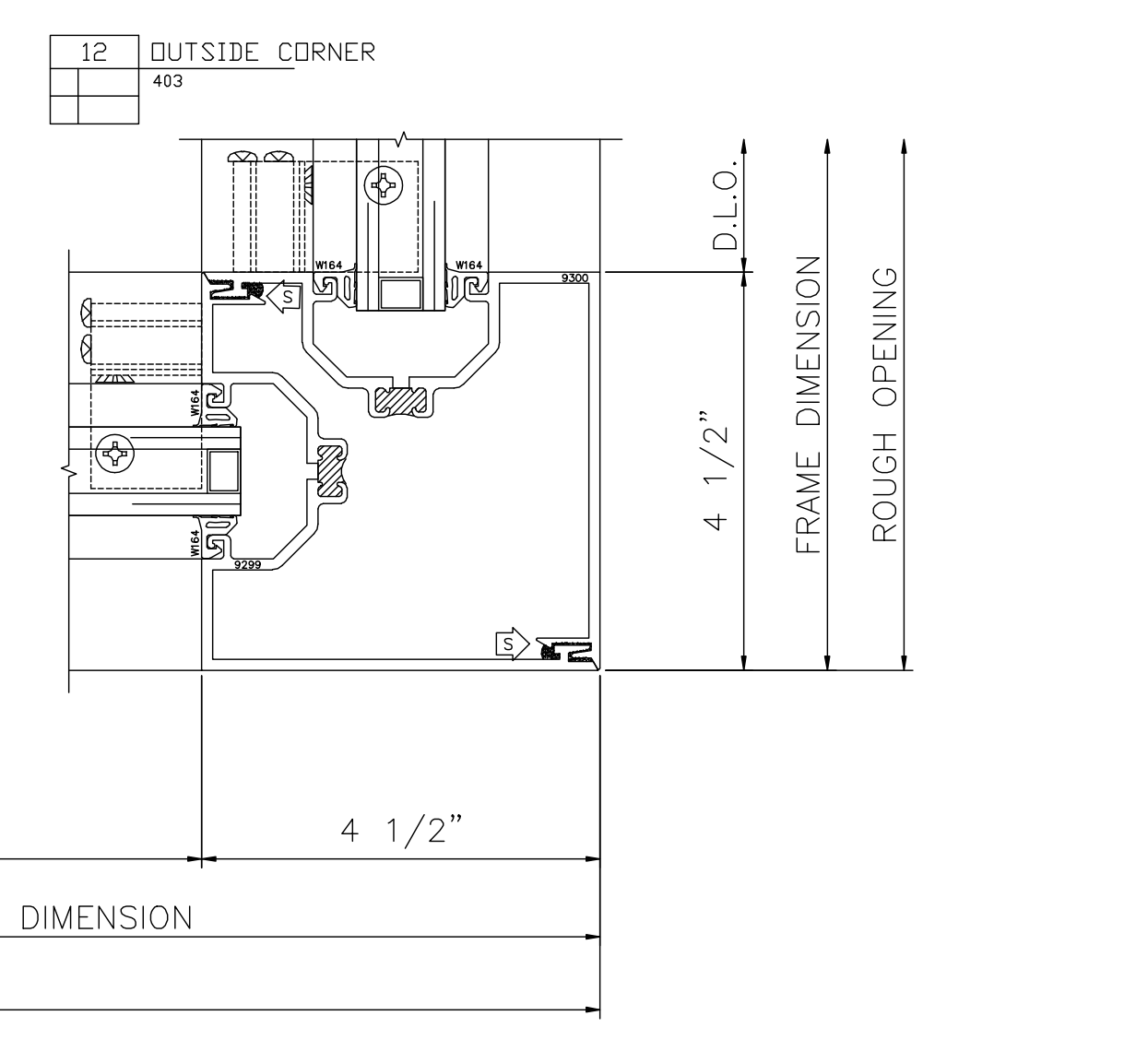
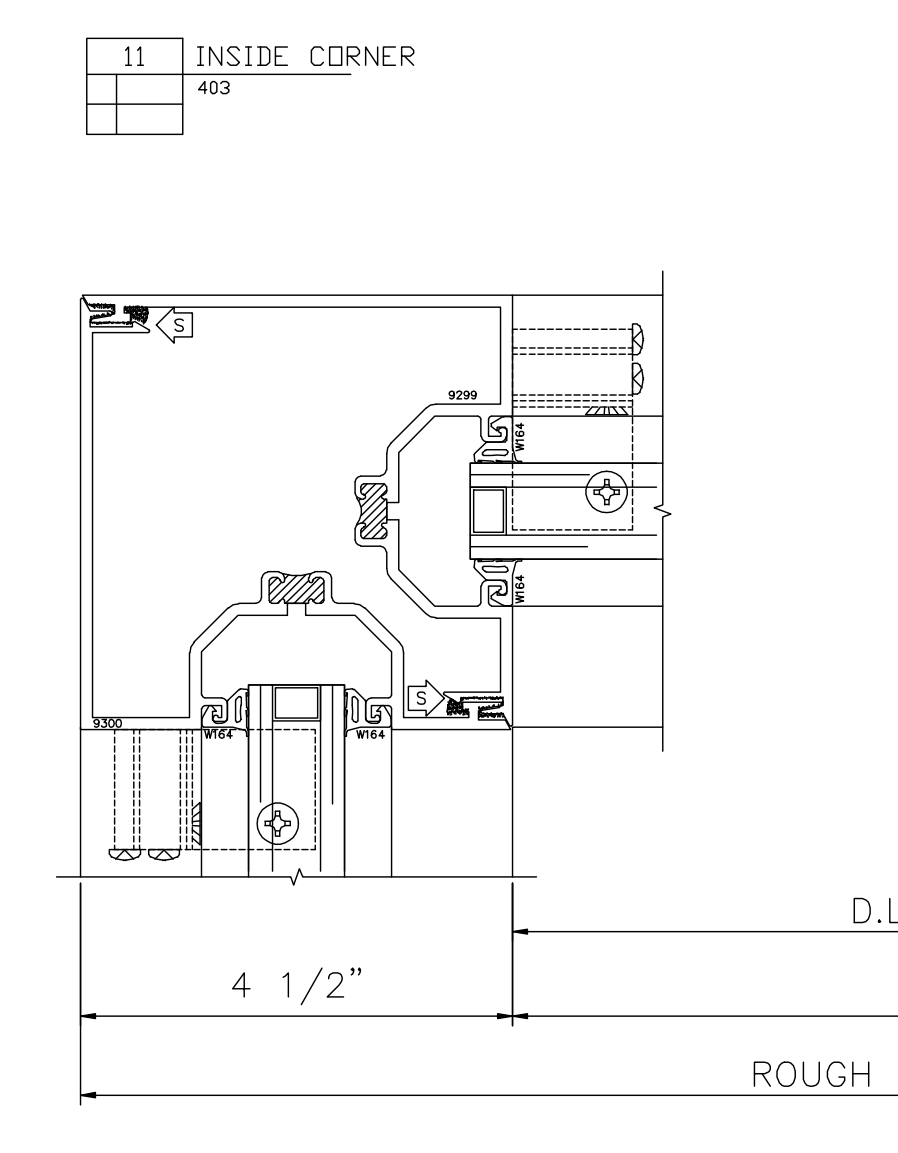
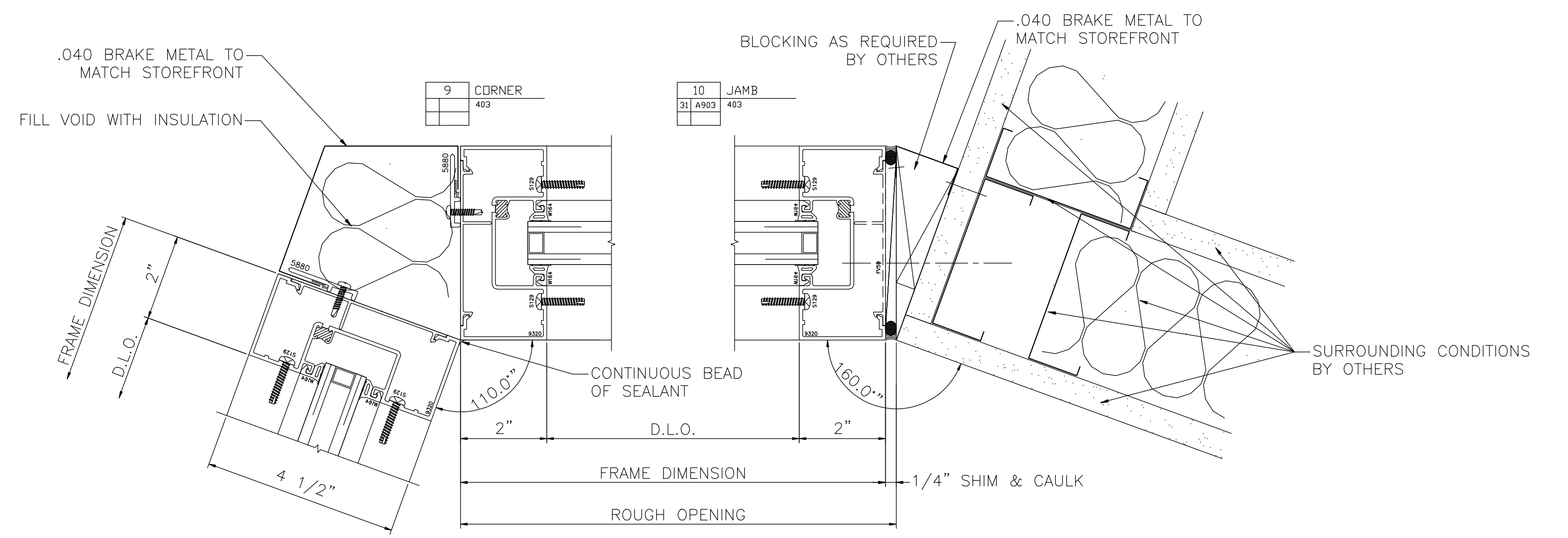
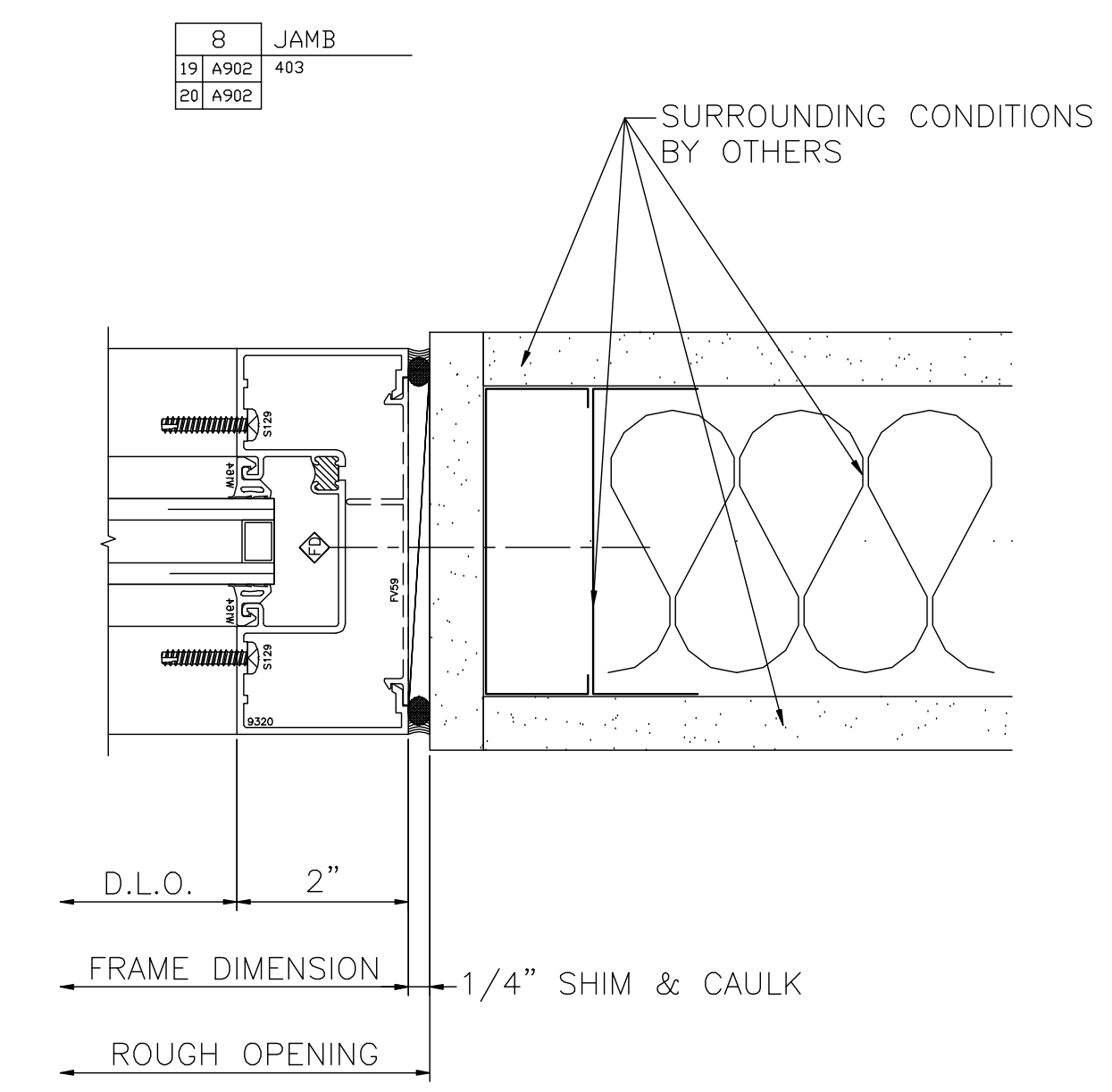
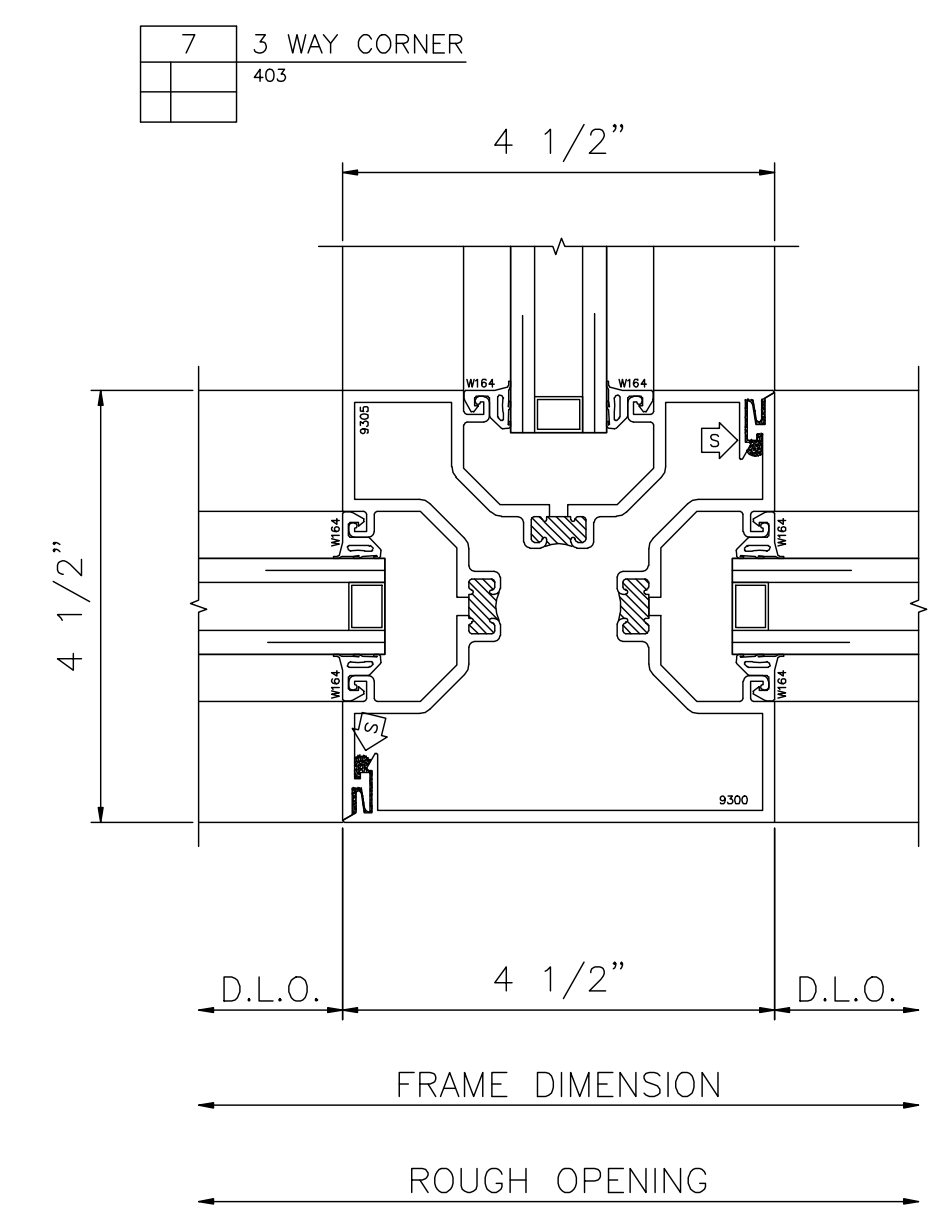
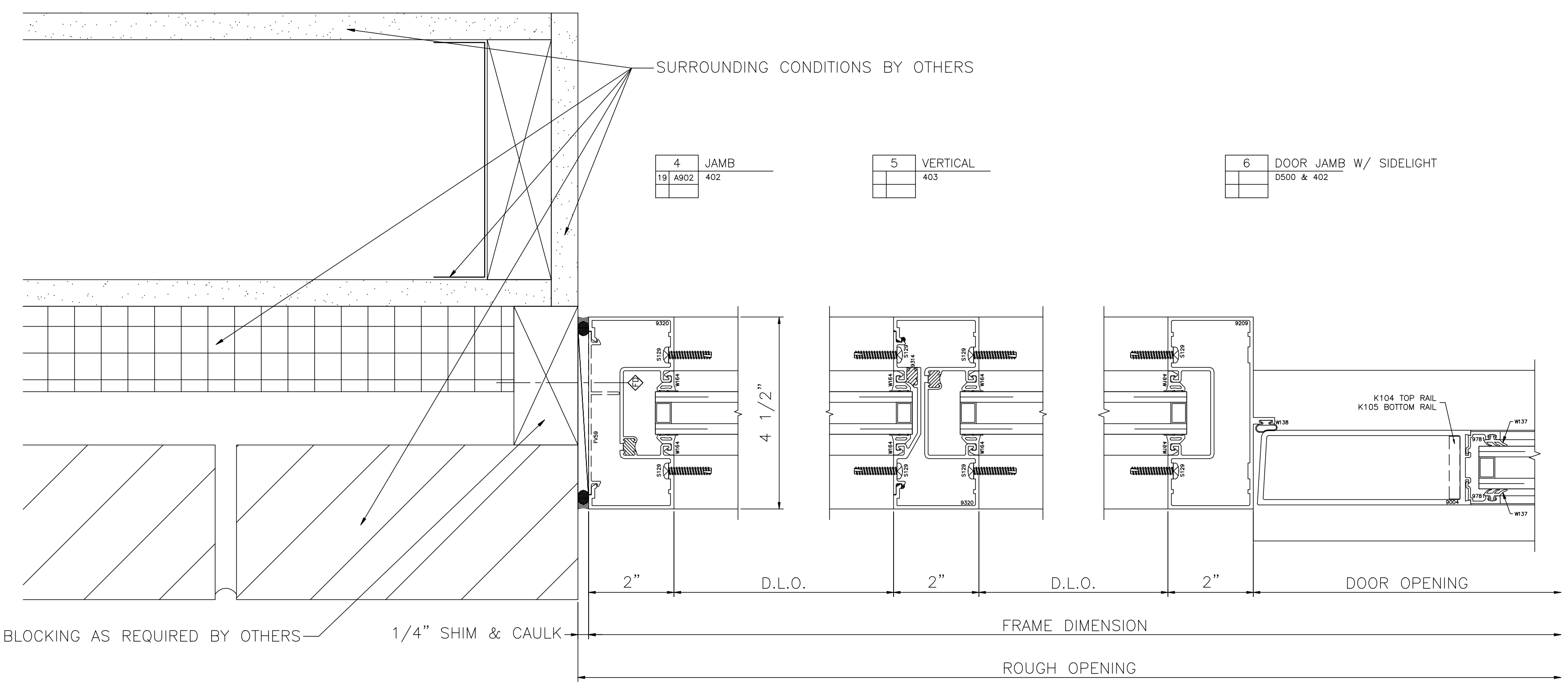
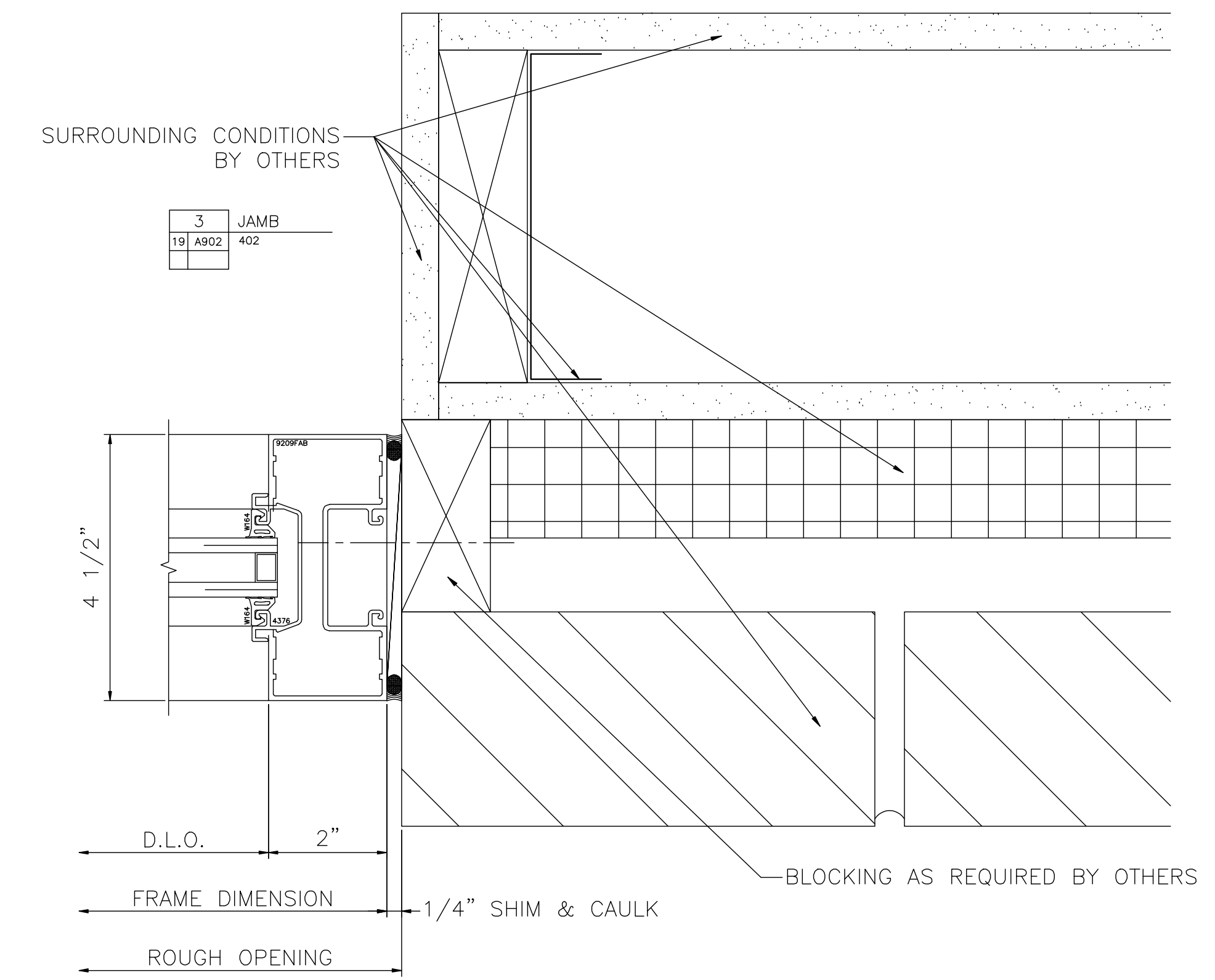
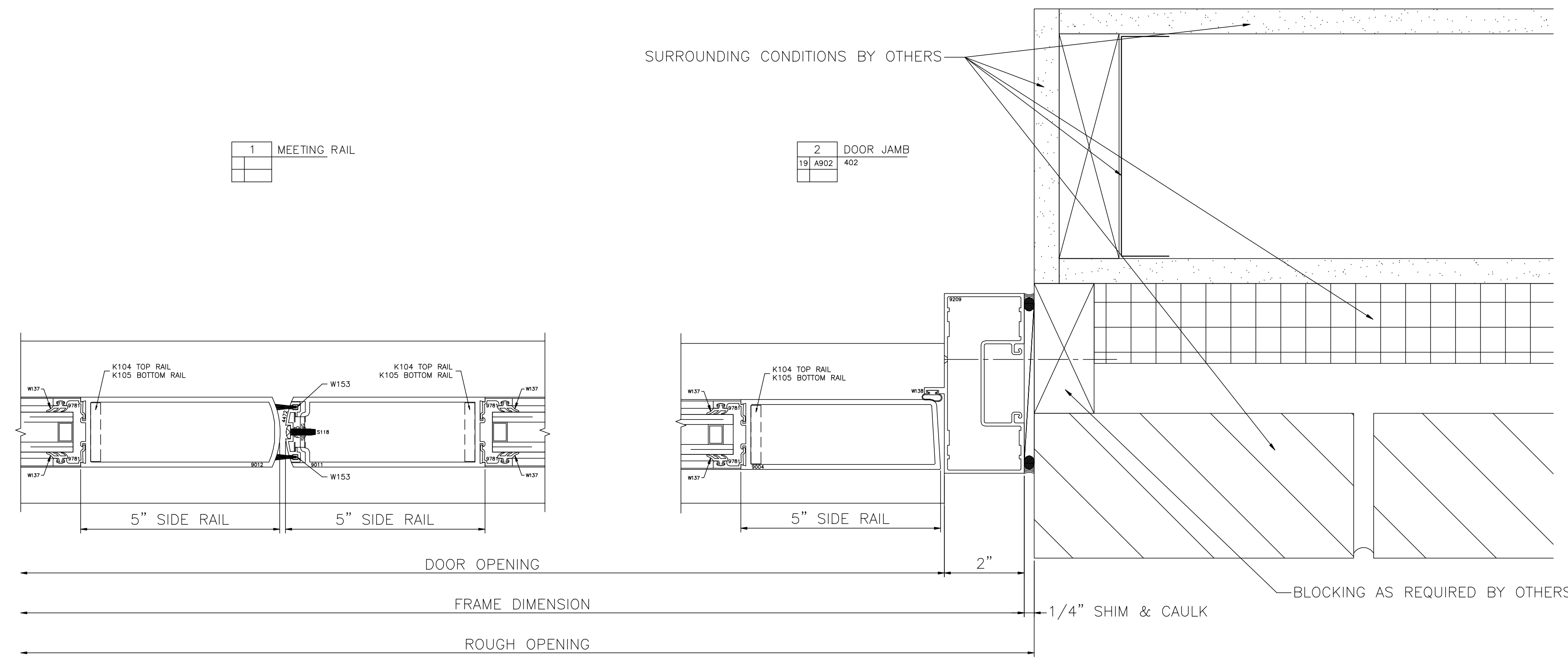
DATE:  
SAMPLe

DRAWN:  
SAMPLe

PAGE:  
4 of 12

DATE:





DATE:	
REVISIONS:	
GLAZING CONTRACTOR:	SAMPLE SAMPLE SAMPLE
ARCHITECT:	SAMPLE SAMPLE SAMPLE
PROJECT:	SAMPLE SAMPLE SAMPLE
LOCATION:	SAMPLE SAMPLE SAMPLE
SCALE:	6" = 1'-0"
DATE:	SAMPLE
DRAWN:	SAMPLE
PAGE:	6 of 12

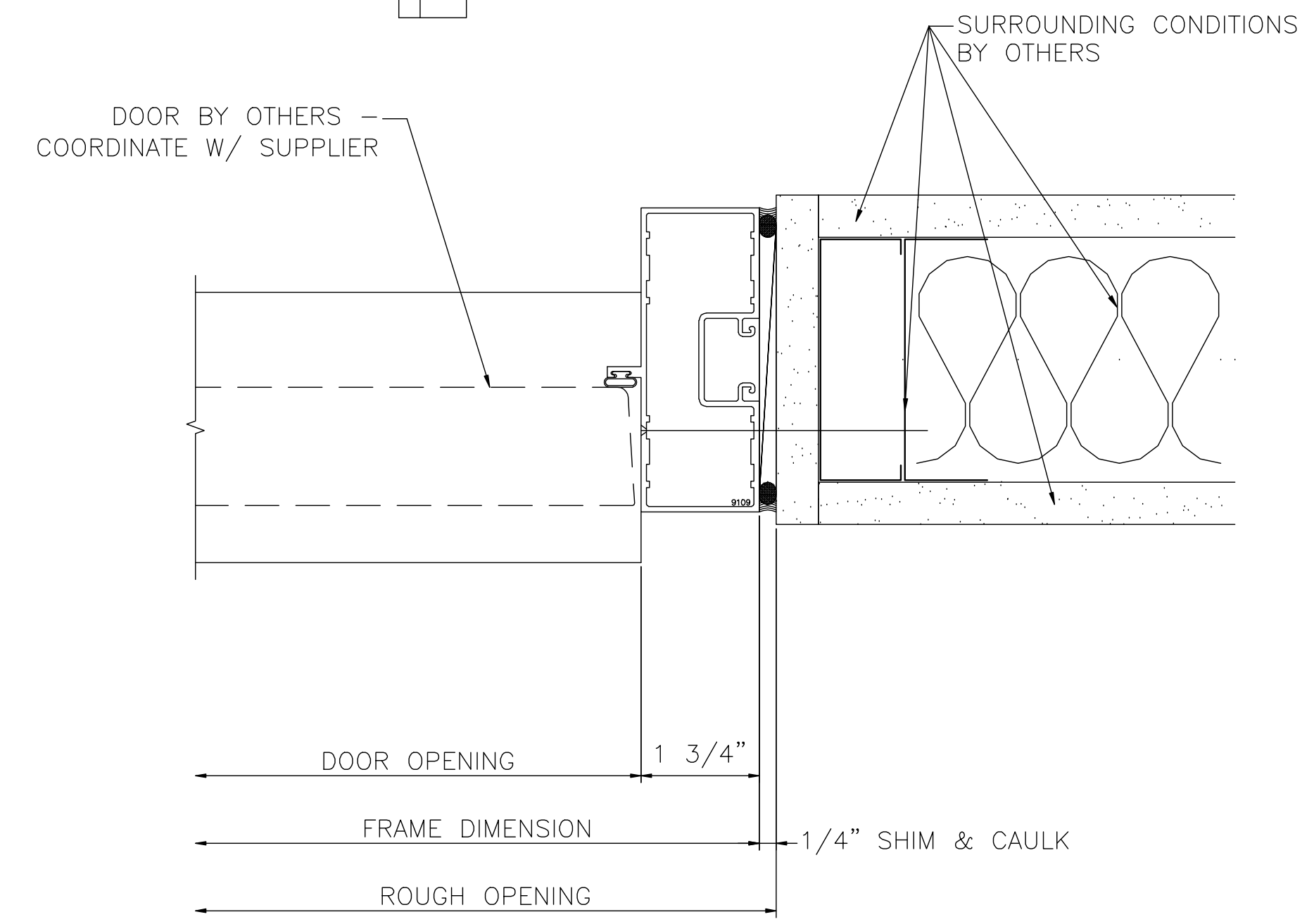
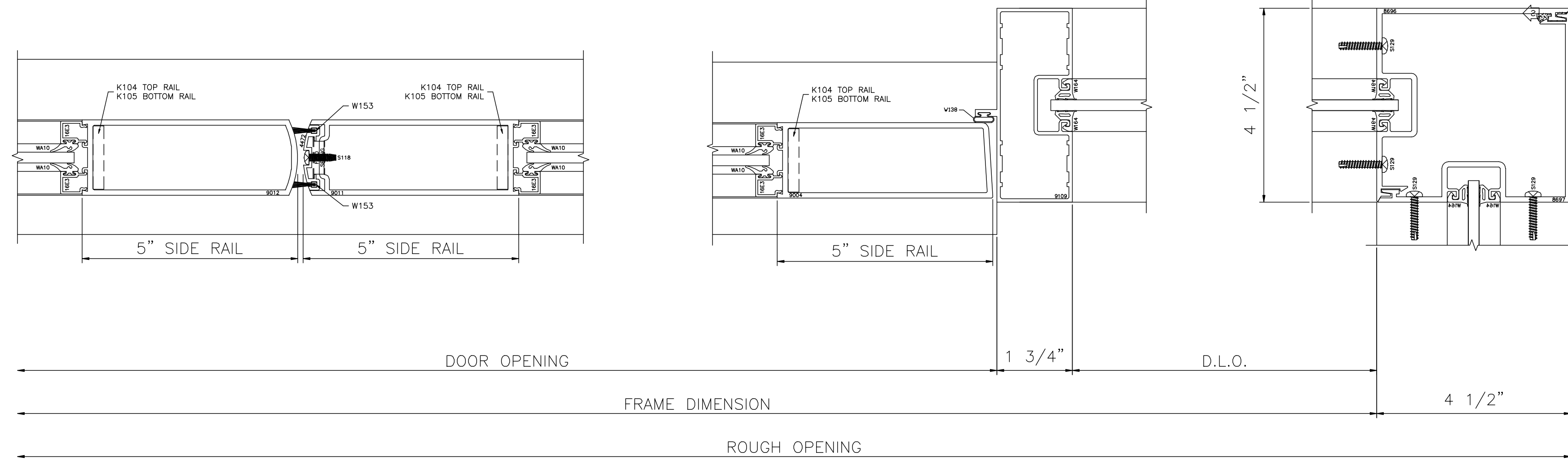


1	MEETING RAIL

2	DOOR JAMB W/ SIDELIGHT D500 & 402

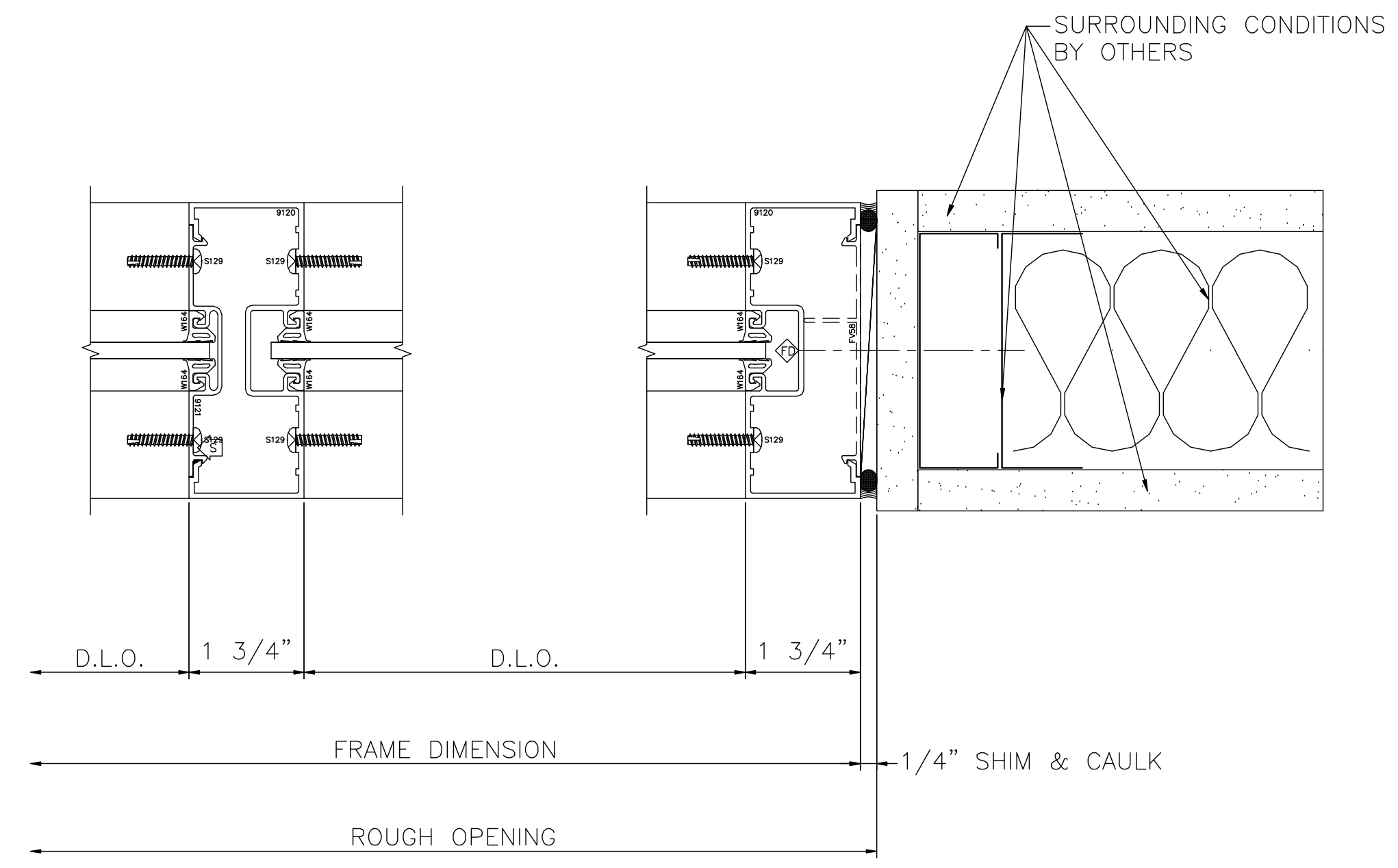
3	90° INSIDE CORNER 401

4	DOOR JAMB 191 A902 401



5	VERTICAL 401

6	JAMB 201 A902 401



REVISIONS:	DATE:

GLAZING CONTRACTOR:	SAMPLE	SAMPLE	SAMPLE	SAMPLE
	SAMPLE	SAMPLE	SAMPLE	SAMPLE
	SAMPLE	SAMPLE	SAMPLE	SAMPLE
	SAMPLE	SAMPLE	SAMPLE	SAMPLE
	SAMPLE	SAMPLE	SAMPLE	SAMPLE

ARCHITECT:	SAMPLE	SAMPLE	SAMPLE	SAMPLE
	SAMPLE	SAMPLE	SAMPLE	SAMPLE
	SAMPLE	SAMPLE	SAMPLE	SAMPLE
	SAMPLE	SAMPLE	SAMPLE	SAMPLE
	SAMPLE	SAMPLE	SAMPLE	SAMPLE

PROJECT:	SAMPLE	SAMPLE	SAMPLE	SAMPLE
LOCATION:	SAMPLE	SAMPLE	SAMPLE	SAMPLE

SCALE:  
6" = 1'-0"

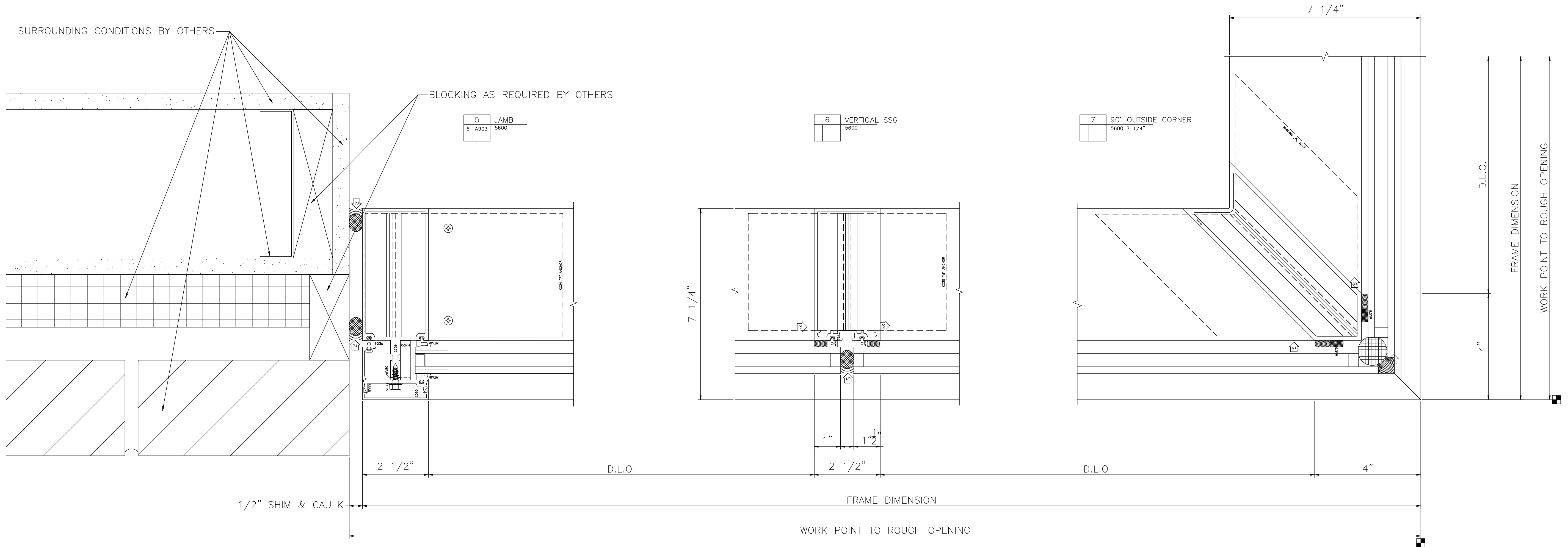
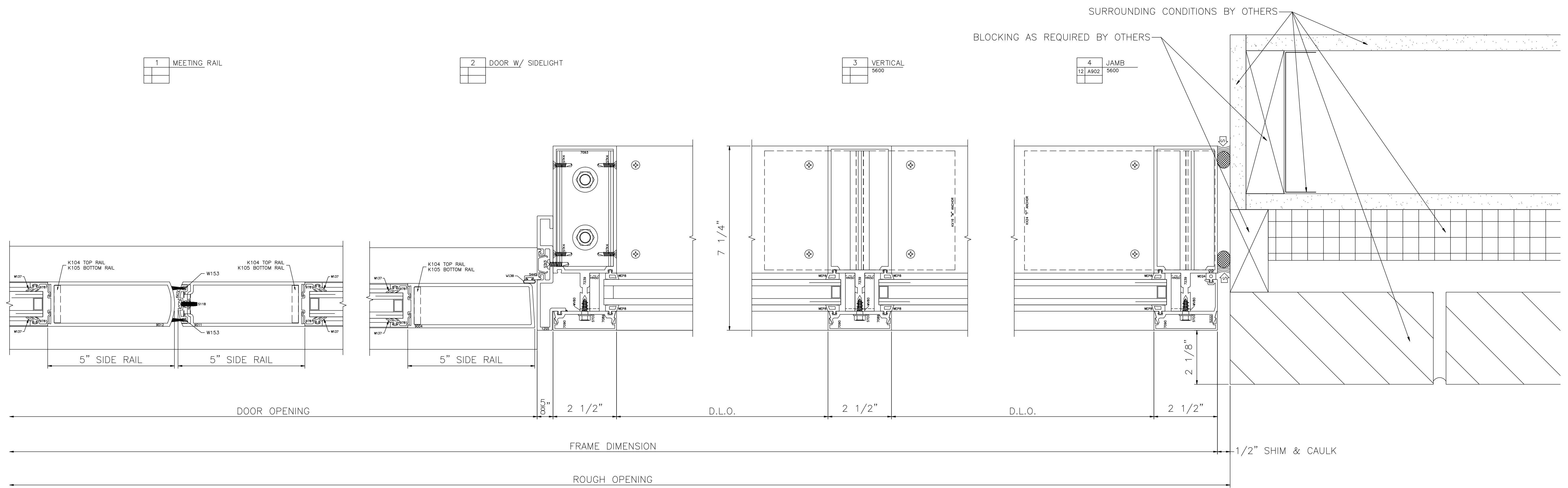
DATE:  
SAMPLE

DRAWN:  
SAMPLE

PAGE:  
8 of 12







REVISIONS:	DATE:

GLAZING CONTRACTOR:	SAMPLE
	SAMPLE
	SAMPLE
	SAMPLE
	SAMPLE

ARCHITECT:	SAMPLE
	SAMPLE
	SAMPLE
	SAMPLE
	SAMPLE

PROJECT:	SAMPLE
	SAMPLE
	SAMPLE
	SAMPLE
	SAMPLE
LOCATION:	SAMPLE
	SAMPLE
	SAMPLE
	SAMPLE

SCALE:	6" = 1'-0"
DATE:	SAMPLE
DRAWN:	SAMPLE
PAGE:	10 of 12

SURROUNDING CONDITIONS BY OTHERS

BLOCKING AS REQUIRED BY OTHERS

16" E-LIGHT SHELF

1 END OUT RIGGER  
5600 SUNSHASDE

BLADE LENGTH  
SEE PLAN VIEWS

16" E-LIGHT SHELF

2 TYPICAL OUT RIGGER  
5600 SUNSHASDE

27 1/8" SUNSHADE ARM

BLADE LENGTH  
SEE PLAN VIEWS

BLADE LENGTH  
SEE PLAN VIEWS

REVISIONS:	DATE:

GLAZING CONTRACTOR:	SAMPLE SAMPLE SAMPLE
	SAMPLE SAMPLE SAMPLE
	SAMPLE SAMPLE SAMPLE
	SAMPLE SAMPLE SAMPLE
	SAMPLE SAMPLE SAMPLE

ARCHITECT:	SAMPLE SAMPLE SAMPLE
	SAMPLE SAMPLE SAMPLE
	SAMPLE SAMPLE SAMPLE
	SAMPLE SAMPLE SAMPLE
	SAMPLE SAMPLE SAMPLE

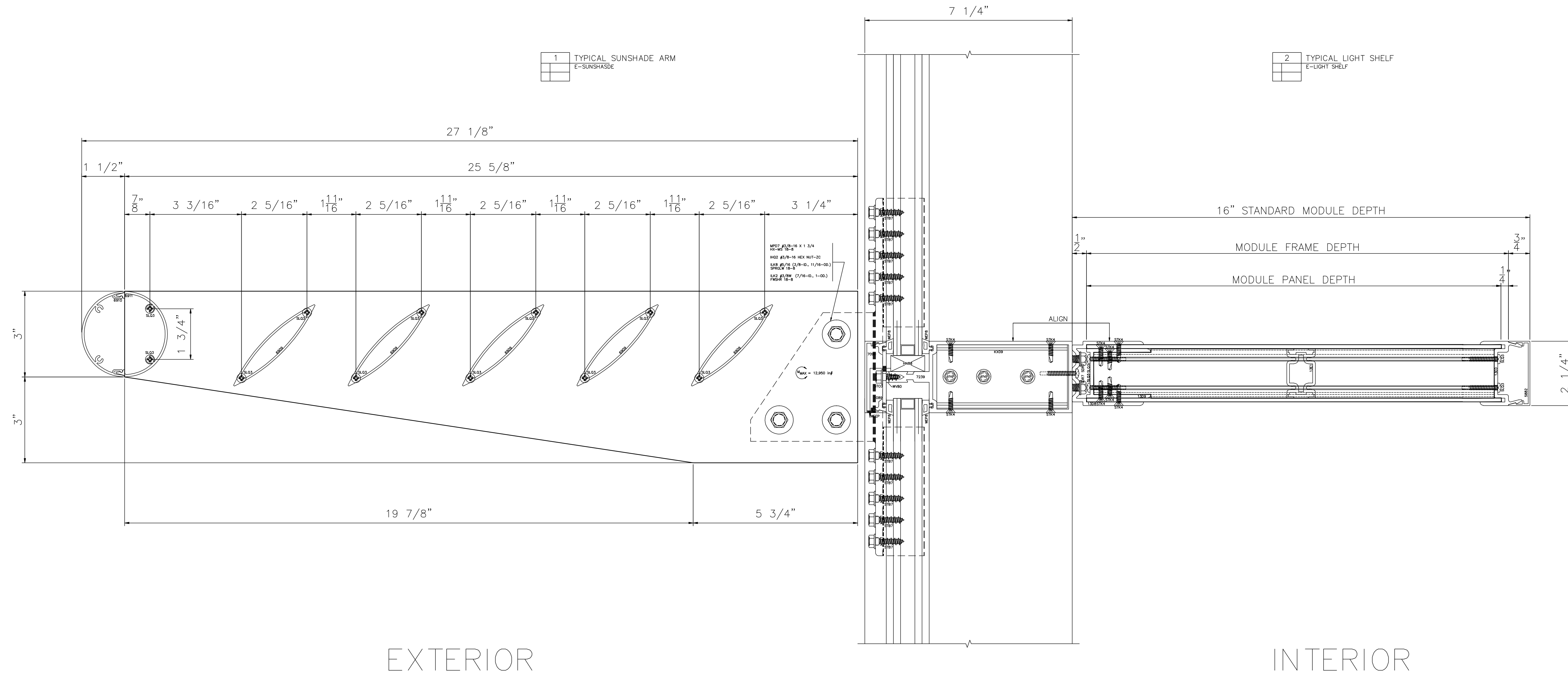
PROJECT:	SAMPLE SAMPLE SAMPLE
LOCATION:	SAMPLE SAMPLE SAMPLE

SCALE:  
6" = 1'-0"

DATE:  
SAMPLE

DRAWN:  
SAMPLE

PAGE:  
11 of 12



EXTERIOR

INTERIOR

REVISIONS:	DATE:

GLAZING CONTRACTOR:	SAMPLE
	SAMPLE
	SAMPLE
	SAMPLE
	SAMPLE

ARCHITECT:	SAMPLE
	SAMPLE
	SAMPLE
	SAMPLE
	SAMPLE

PROJECT:	SAMPLE
	SAMPLE
	SAMPLE
	SAMPLE
	SAMPLE
LOCATION:	SAMPLE
	SAMPLE
	SAMPLE
	SAMPLE

SCALE:	6" = 1'-0"
DATE:	SAMPLE
DRAWN:	SAMPLE
PAGE:	12 of 12