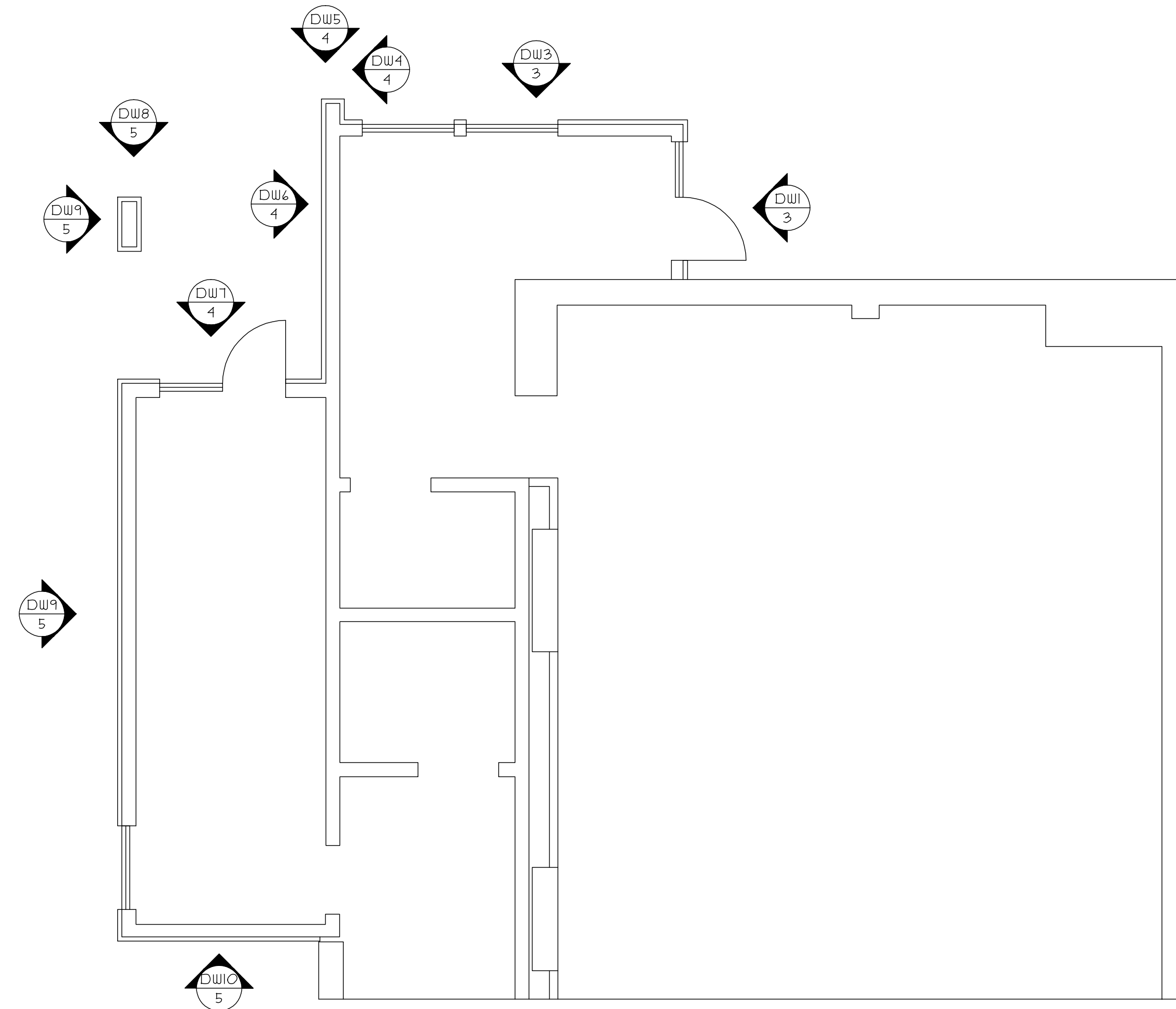


KINGSPAN ALUMINUM METAL PANELS

GENERAL NOTES:

1. GENERAL NOTES



GROUND FLOOR - KEY PLAN



| REVISIONS: | DATE: |
|------------|-------|
| | |
| | |
| | |
| | |

| GLAZING CONTRACTOR: | SAMPLE |
|---------------------|--------|
| | SAMPLE |
| | SAMPLE |
| | SAMPLE |
| | SAMPLE |
| | SAMPLE |

| ARCHITECT: | SAMPLE |
|------------|--------|
| | SAMPLE |
| | SAMPLE |
| | SAMPLE |
| | SAMPLE |
| | SAMPLE |

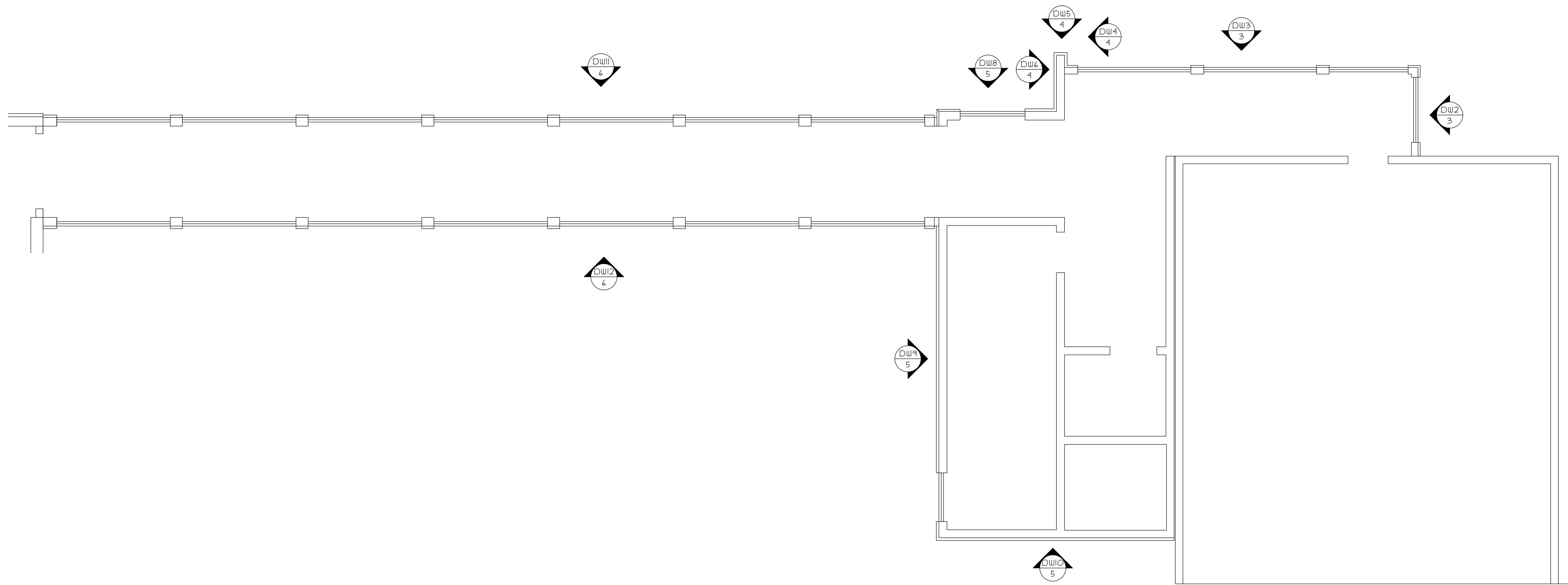
| PROJECT: | SAMPLE |
|-----------|--------|
| | SAMPLE |
| | SAMPLE |
| | SAMPLE |
| | SAMPLE |
| LOCATION: | SAMPLE |
| | SAMPLE |
| | SAMPLE |
| | SAMPLE |

SCALE:
3/8" = 1'-0"

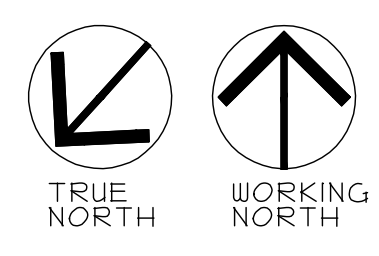
DATE:
SAMPLE

DRAWN:
SAMPLE

PAGE:
1 of 26



FIRST FLOOR - KEY PLAN



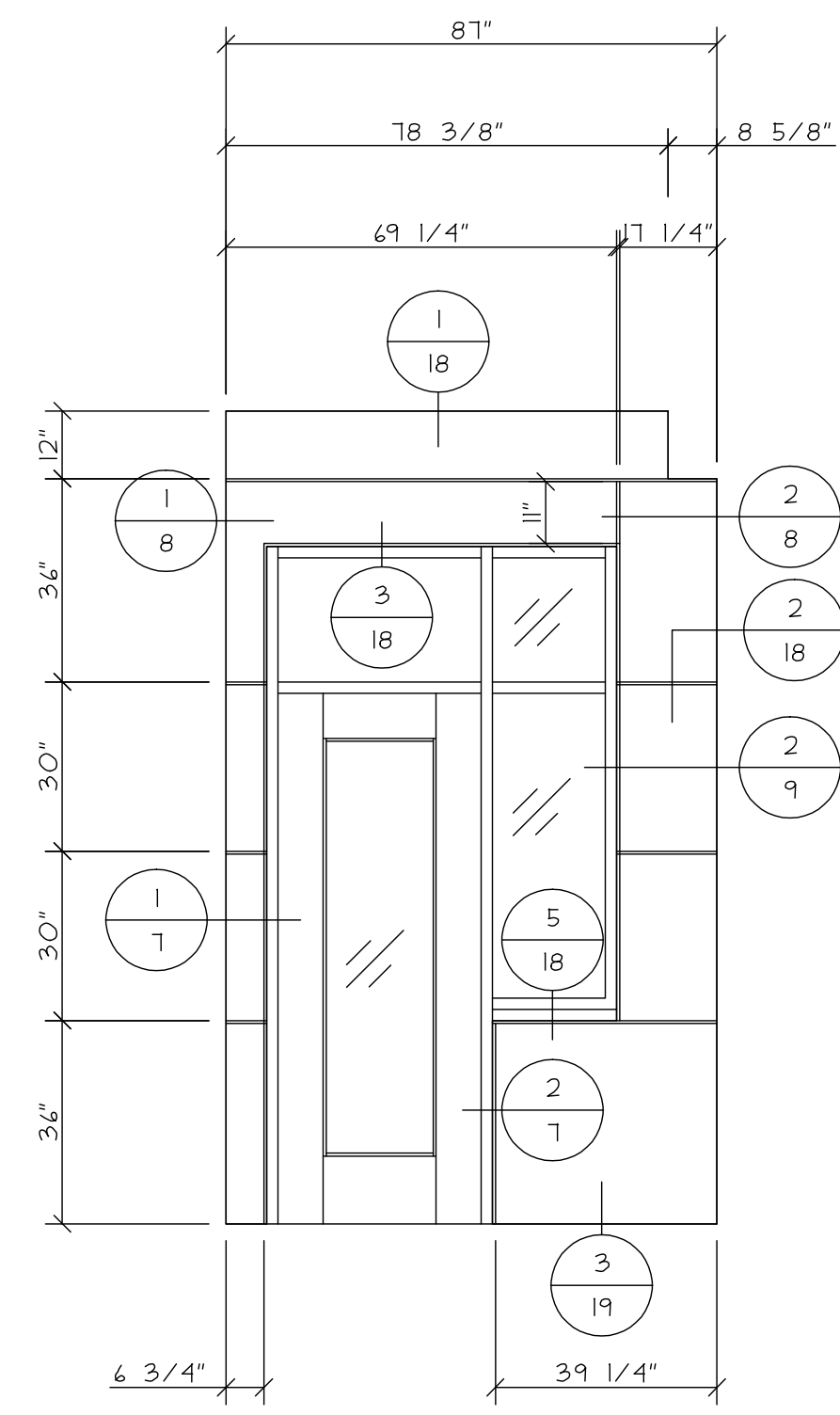
| REVISIONS: | DATE: |
|------------|-------|
| | |
| | |
| | |
| | |

| GLAZING CONTRACTOR: |
|----------------------|
| SAMPLE SAMPLE SAMPLE |
| SAMPLE SAMPLE SAMPLE |
| SAMPLE SAMPLE SAMPLE |
| SAMPLE SAMPLE SAMPLE |
| SAMPLE SAMPLE SAMPLE |

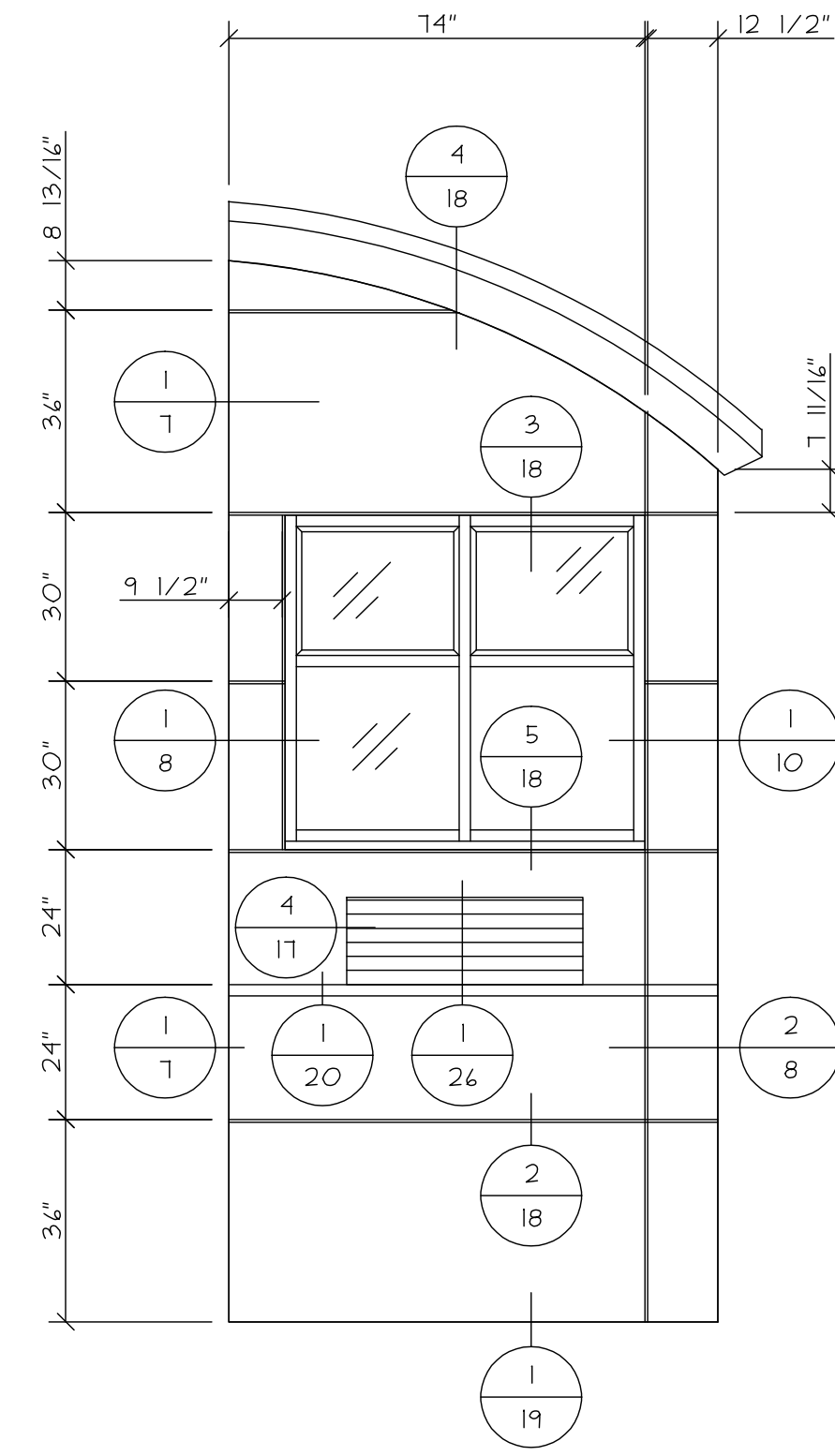
| ARCHITECT: |
|----------------------|
| SAMPLE SAMPLE SAMPLE |
| SAMPLE SAMPLE SAMPLE |
| SAMPLE SAMPLE SAMPLE |
| SAMPLE SAMPLE SAMPLE |
| SAMPLE SAMPLE SAMPLE |

| | |
|-----------|----------------------|
| PROJECT: | SAMPLE SAMPLE SAMPLE |
| LOCATION: | SAMPLE SAMPLE SAMPLE |

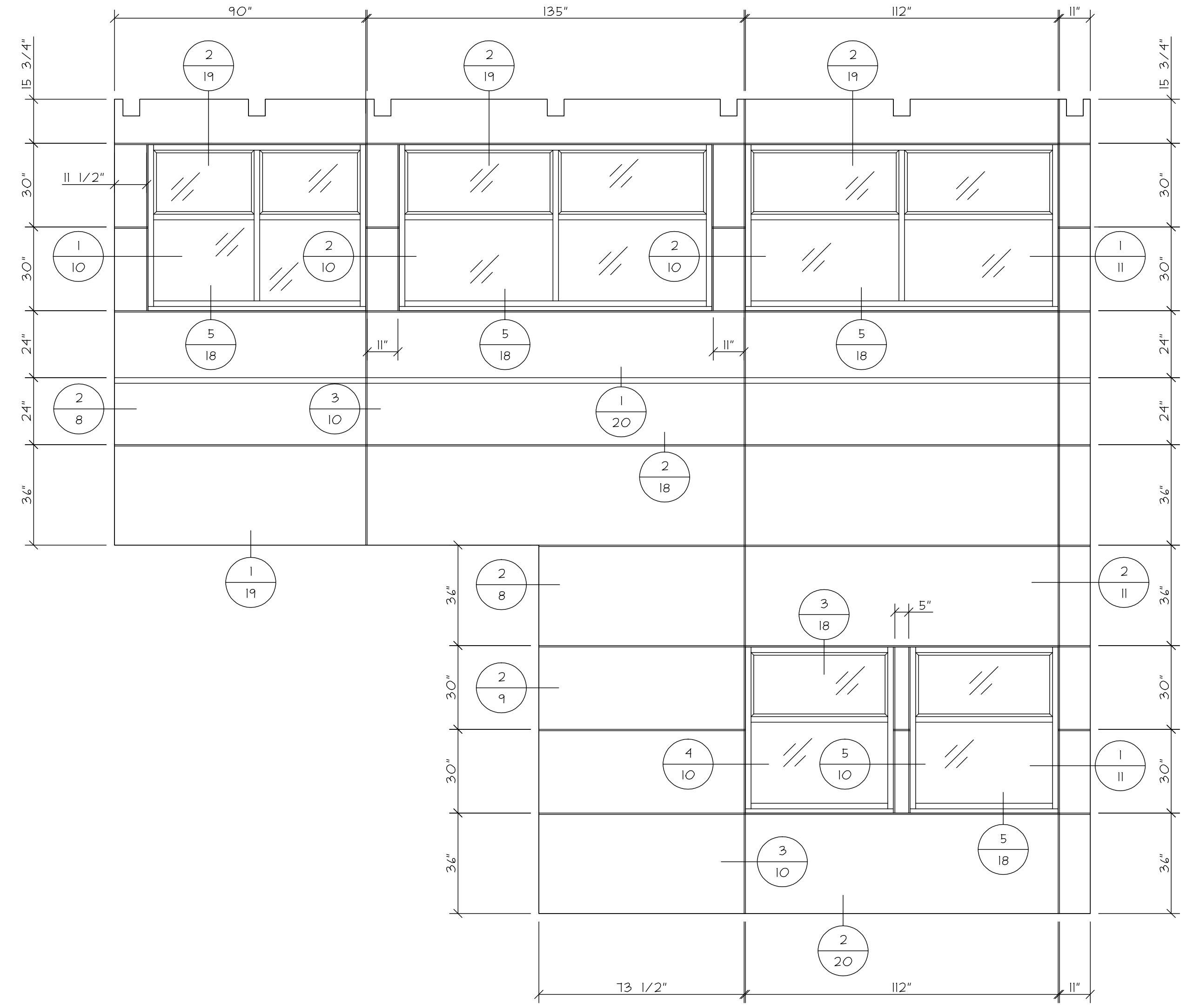
| | |
|--------|---------|
| SCALE: | N.T.S |
| DATE: | SAMPLE |
| DRAWN: | SAMPLE |
| PAGE: | 2 of 26 |



DESIGN WALL "DW1"
 KINGSPAN - DESIGN WALL 2000
 REF# 1/A2.01



DESIGN WALL "DW2"
 KINGSPAN - DESIGN WALL 2000
 REF# 1/2.01



DESIGN WALL "DW3"
 KINGSPAN - DESIGN WALL 2000
 REF# 1/A2.01

| | |
|------------|-------|
| REVISIONS: | DATE: |
| | |
| | |
| | |
| | |

GLAZING CONTRACTOR:
 SAMPLE SAMPLE SAMPLE
 SAMPLE SAMPLE SAMPLE
 SAMPLE SAMPLE SAMPLE
 SAMPLE SAMPLE SAMPLE
 SAMPLE SAMPLE SAMPLE

ARCHITECT:
 SAMPLE SAMPLE SAMPLE
 SAMPLE SAMPLE SAMPLE
 SAMPLE SAMPLE SAMPLE
 SAMPLE SAMPLE SAMPLE
 SAMPLE SAMPLE SAMPLE

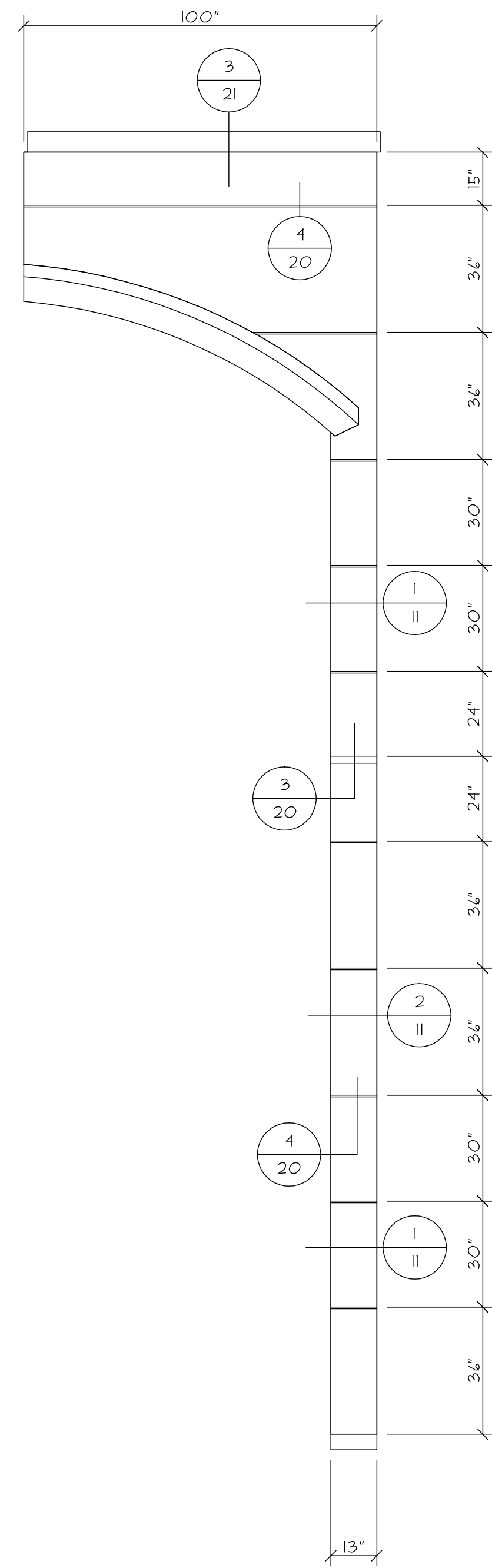
PROJECT: SAMPLE SAMPLE SAMPLE
 LOCATION: SAMPLE SAMPLE SAMPLE

SCALE:
 3/8" = 1'-0"

DATE:
 SAMPLE

DRAWN:
 SAMPLE

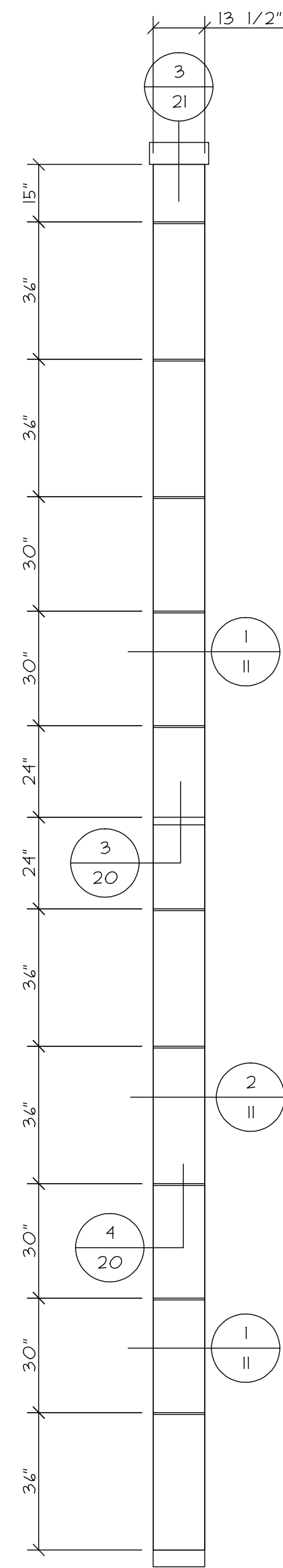
PAGE:
 3 of 26



DESIGN WALL "DW4"

KINGSPAN - DESIGN WALL 2000

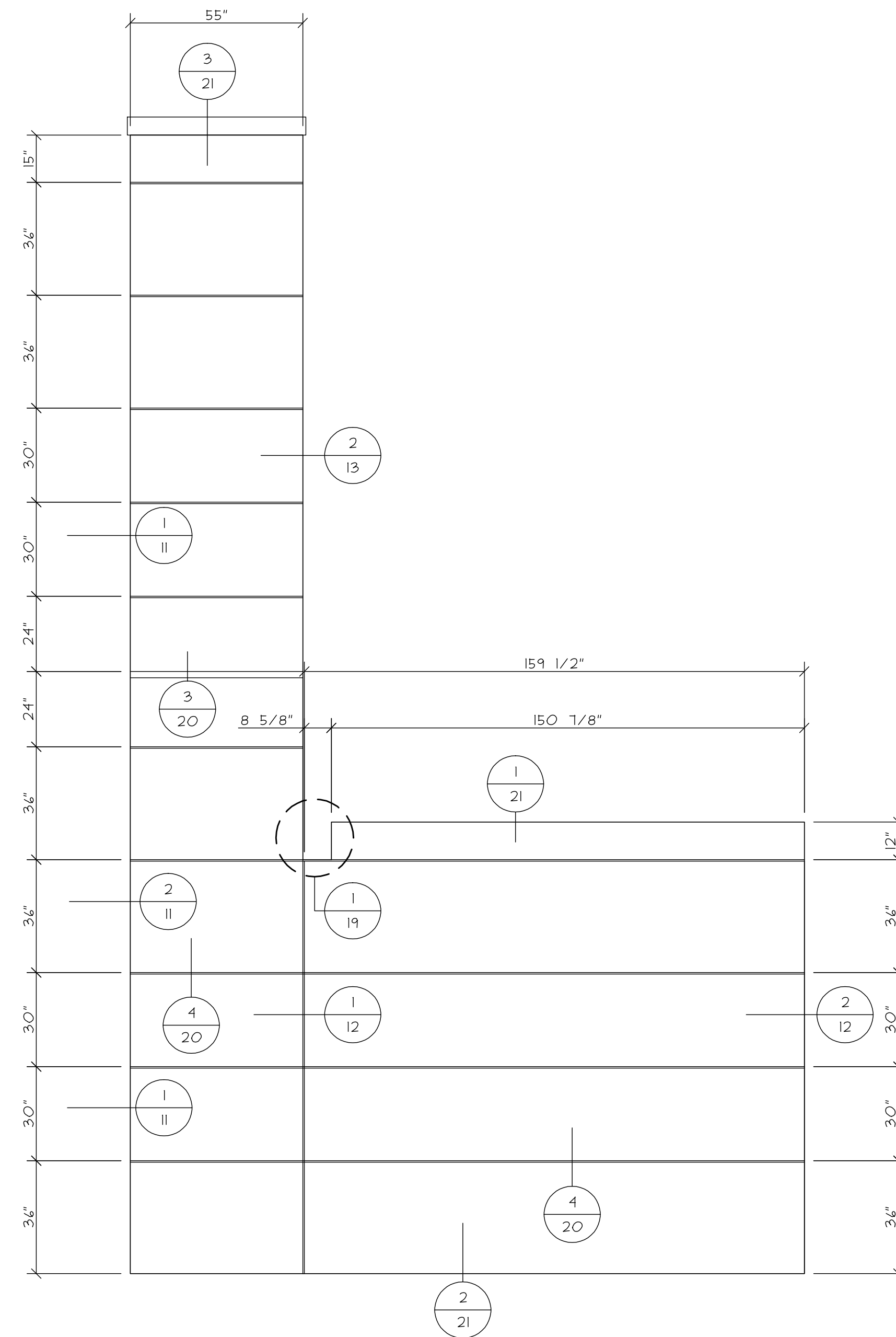
REF# 2/A2.01



DESIGN WALL "DW5"

KINGSPAN - DESIGN WALL 2000

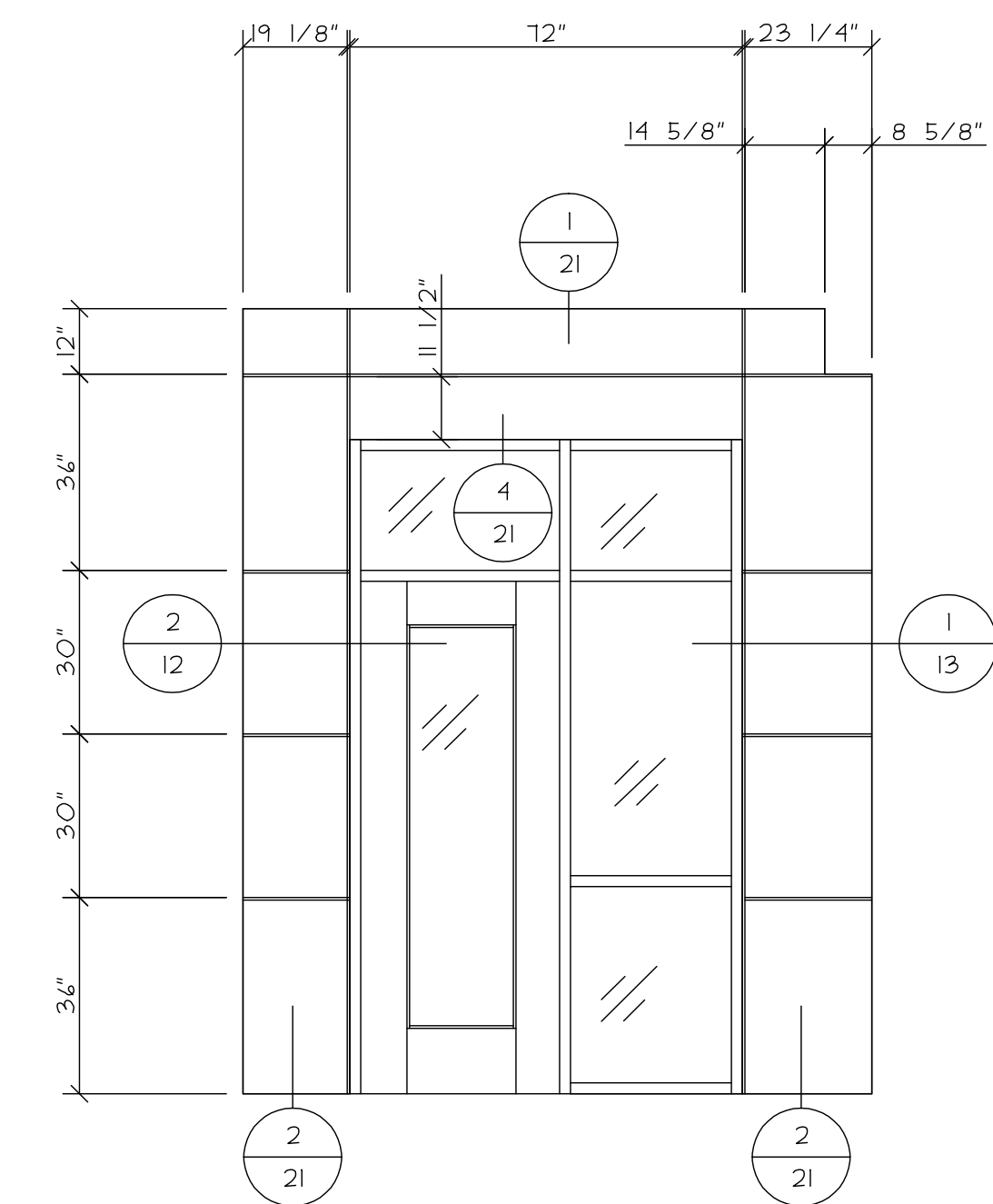
REF# 1/A2.01



DESIGN WALL "DW6"

KINGSPAN - DESIGN WALL 2000

REF# 1/A2.02



DESIGN WALL "DW7"

KINGSPAN - DESIGN WALL 2000

REF# 1/A2.01

REVISIONS:

| REVISIONS: | DATE: |
|------------|-------|
| | |
| | |
| | |
| | |
| | |

| GLAZING CONTRACTOR: |
|----------------------|
| SAMPLE SAMPLE SAMPLE |
| SAMPLE SAMPLE SAMPLE |
| SAMPLE SAMPLE SAMPLE |
| SAMPLE SAMPLE SAMPLE |
| SAMPLE SAMPLE SAMPLE |

| ARCHITECT: |
|----------------------|
| SAMPLE SAMPLE SAMPLE |
| SAMPLE SAMPLE SAMPLE |
| SAMPLE SAMPLE SAMPLE |
| SAMPLE SAMPLE SAMPLE |
| SAMPLE SAMPLE SAMPLE |

| PROJECT: |
|----------------------|
| SAMPLE SAMPLE SAMPLE |

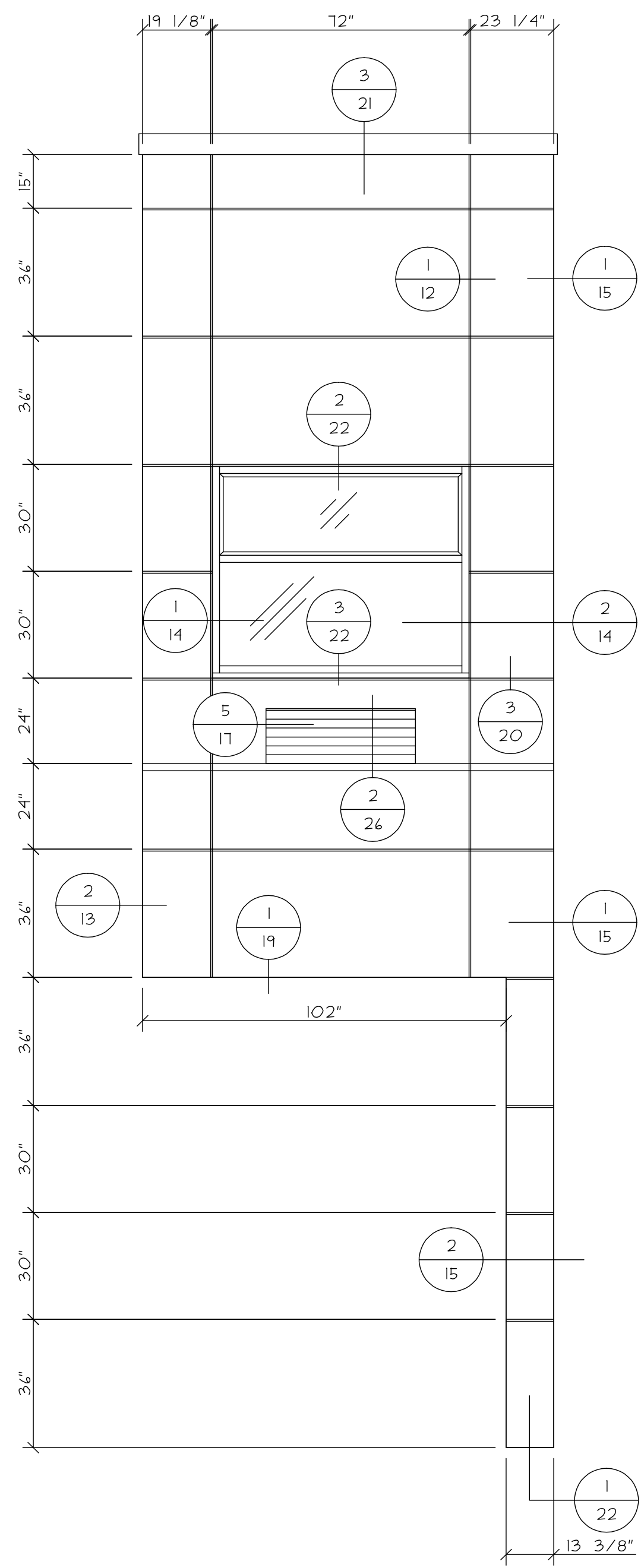
| LOCATION: |
|----------------------|
| SAMPLE SAMPLE SAMPLE |

SCALE:
3/8" = 1'-0"

DATE:
SAMPLE

DRAWN:
SAMPLE

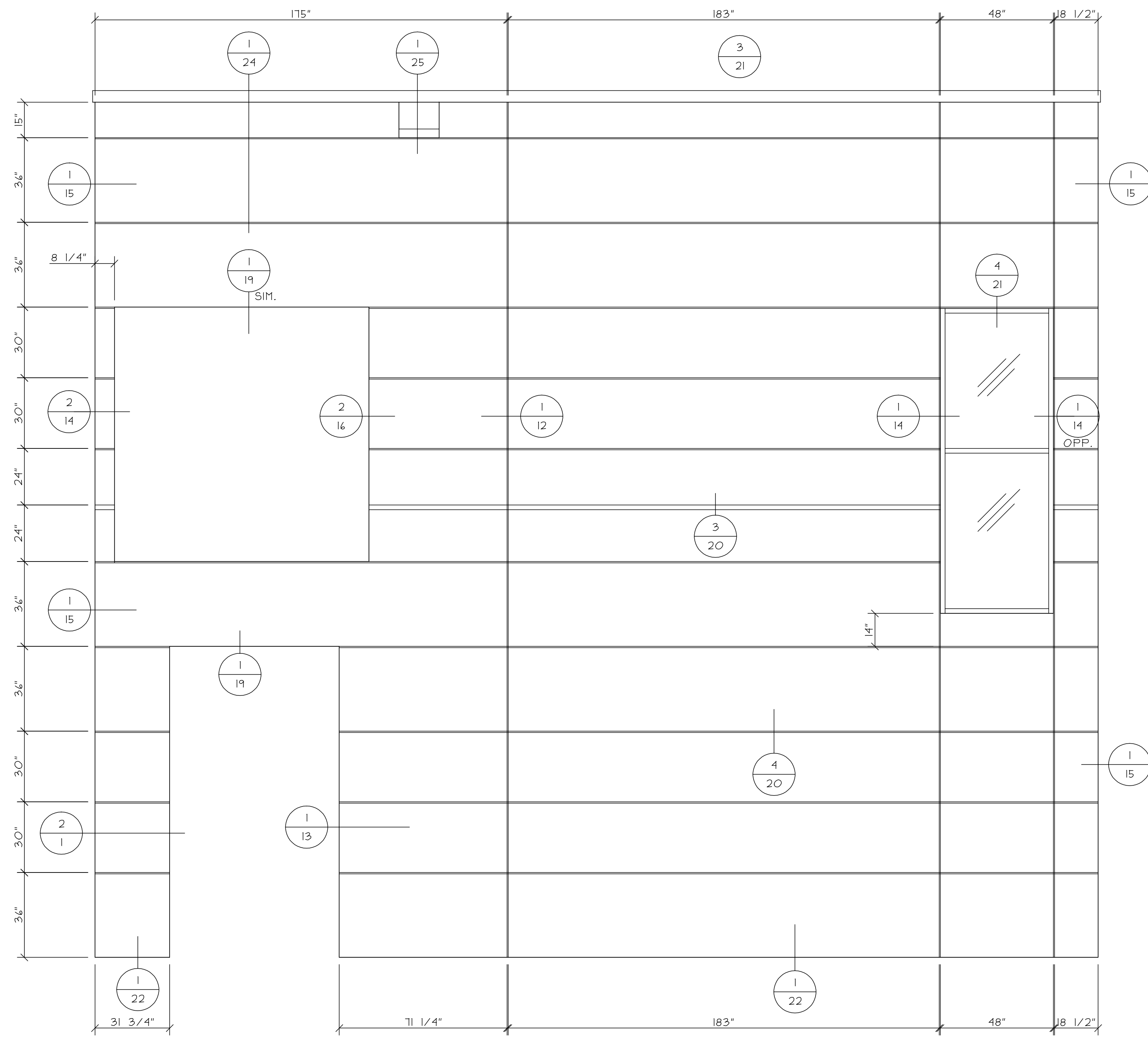
PAGE:
4 of 26



DESIGN WALL "DW8"

KINGSPAN - DESIGN WALL 2000

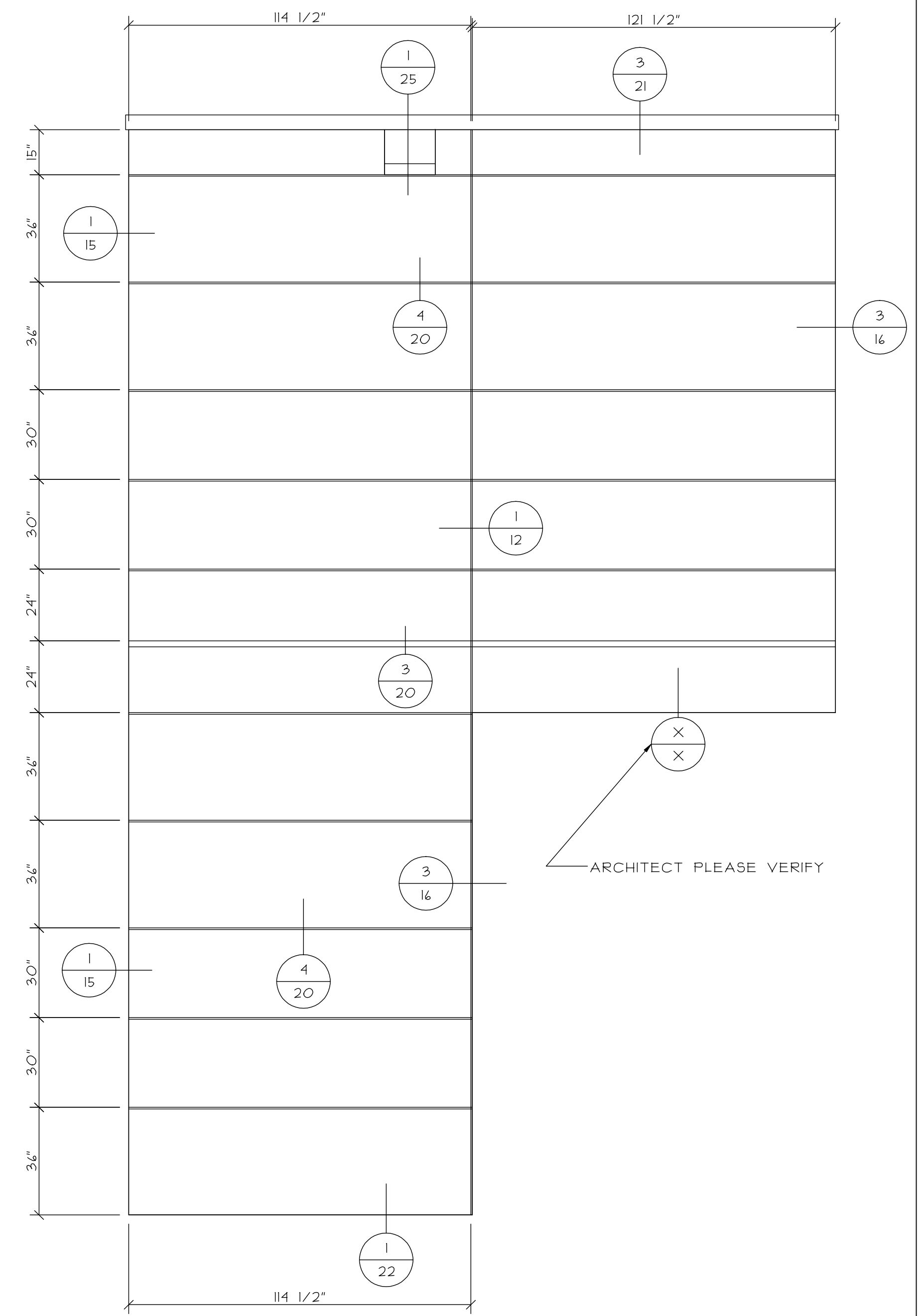
REF# 1/A2.01



DESIGN WALL "DW9"

KINGSPAN - DESIGN WALL 2000

REF# 1/2.02



DESIGN WALL "DW10"

KINGSPAN - DESIGN WALL 2000

REF# XXX

| REVISIONS: | DATE: |
|------------|-------|
| | |
| | |
| | |
| | |

GLAZING CONTRACTOR:

| | | |
|--------|--------|--------|
| SAMPLE | SAMPLE | SAMPLE |
| SAMPLE | SAMPLE | SAMPLE |
| SAMPLE | SAMPLE | SAMPLE |
| SAMPLE | SAMPLE | SAMPLE |
| SAMPLE | SAMPLE | SAMPLE |

ARCHITECT:

| | | |
|--------|--------|--------|
| SAMPLE | SAMPLE | SAMPLE |
| SAMPLE | SAMPLE | SAMPLE |
| SAMPLE | SAMPLE | SAMPLE |
| SAMPLE | SAMPLE | SAMPLE |
| SAMPLE | SAMPLE | SAMPLE |

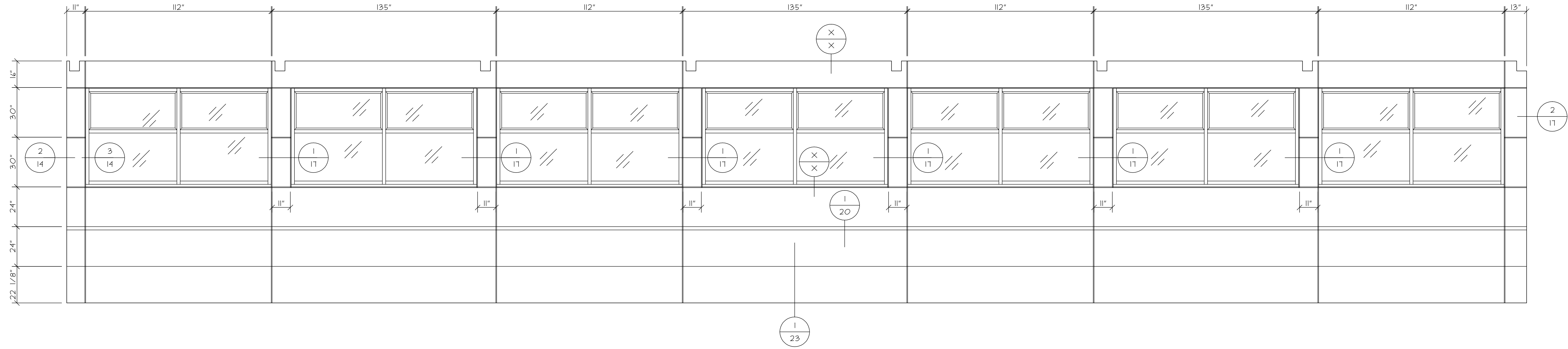
| | |
|-----------|----------------------|
| PROJECT: | SAMPLE SAMPLE SAMPLE |
| LOCATION: | SAMPLE SAMPLE SAMPLE |

SCALE:
3/8" = 1'-0"

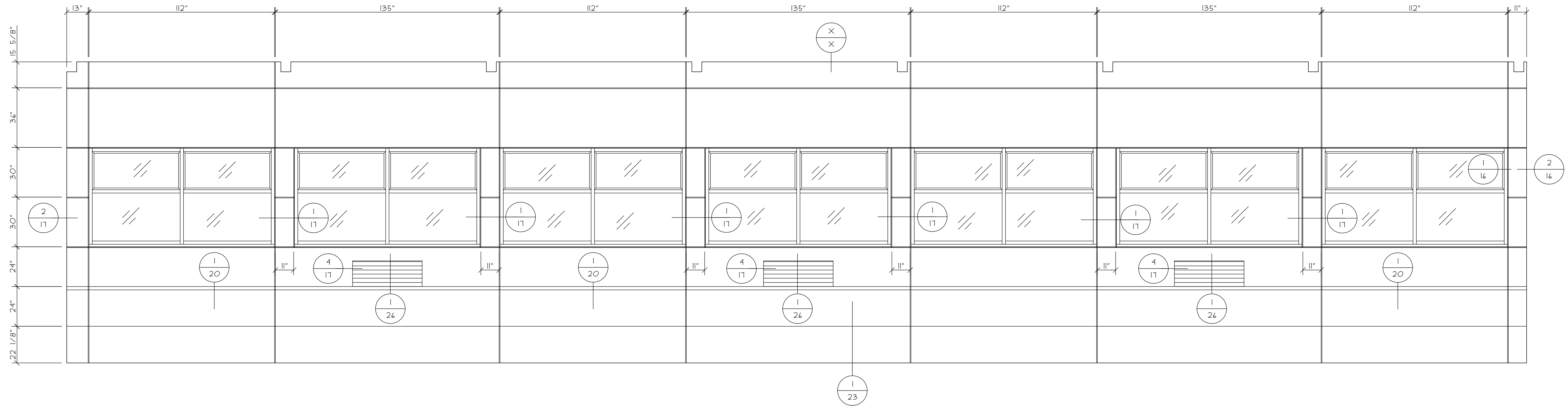
DATE:
SAMPLE

DRAWN:
SAMPLE

PAGE:
5 of 26



DESIGN WALL "DW11"
 KINGSPAN - DESIGN WALL 2000
 REF# A/2.01



DESIGN WALL "DW12"
 KINGSPAN - DESIGN WALL 2000
 REF# 8/A.2.02

| | |
|------------|-------|
| REVISIONS: | DATE: |
| | |
| | |
| | |

GLAZING CONTRACTOR:
 SAMPLE SAMPLE SAMPLE
 SAMPLE SAMPLE SAMPLE
 SAMPLE SAMPLE SAMPLE
 SAMPLE SAMPLE SAMPLE
 SAMPLE SAMPLE SAMPLE

ARCHITECT:
 SAMPLE SAMPLE SAMPLE
 SAMPLE SAMPLE SAMPLE
 SAMPLE SAMPLE SAMPLE
 SAMPLE SAMPLE SAMPLE
 SAMPLE SAMPLE SAMPLE

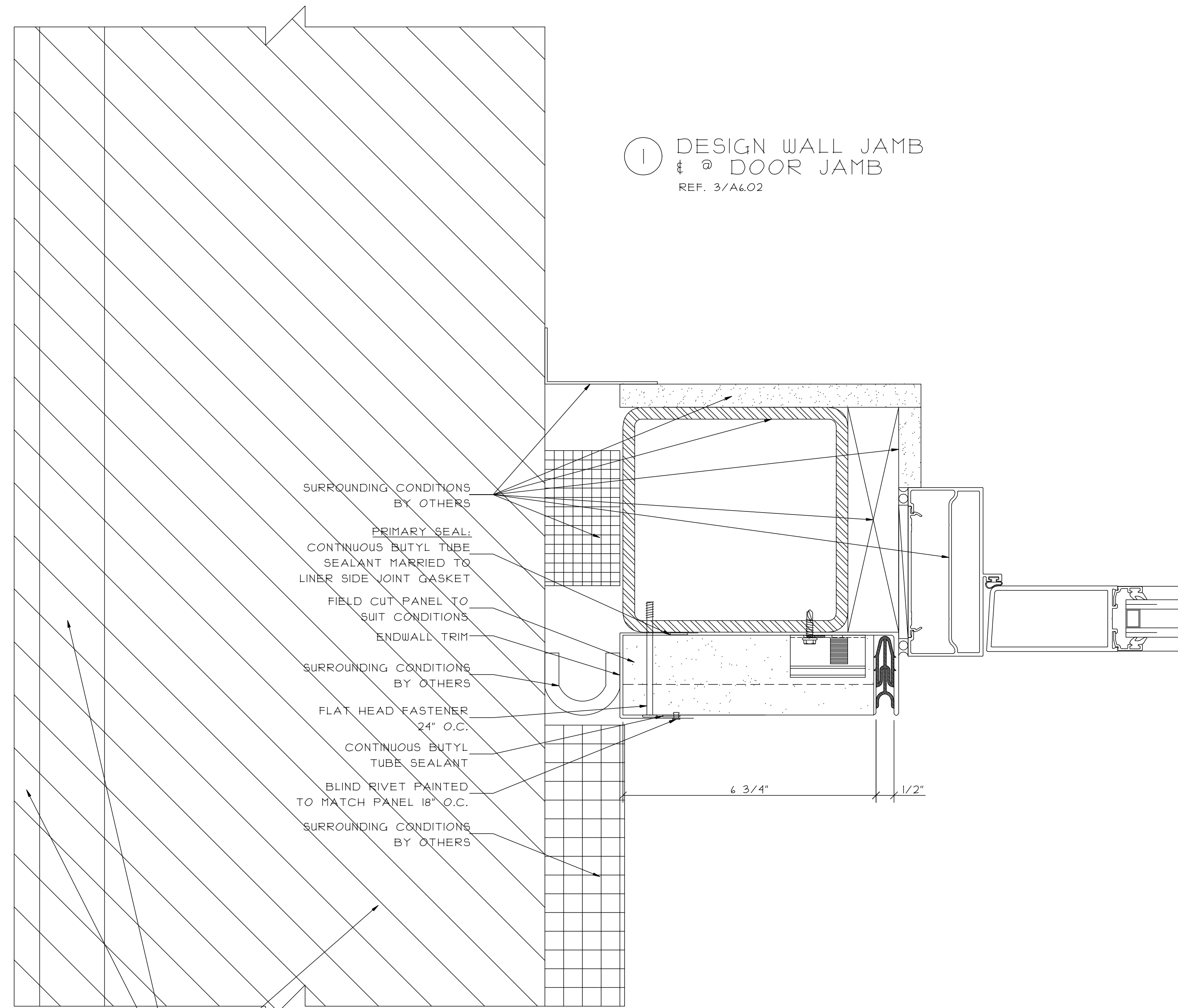
PROJECT: SAMPLE SAMPLE SAMPLE
 LOCATION: SAMPLE SAMPLE SAMPLE

SCALE:
 3/8" = 1'-0"

DATE:
 SAMPLE

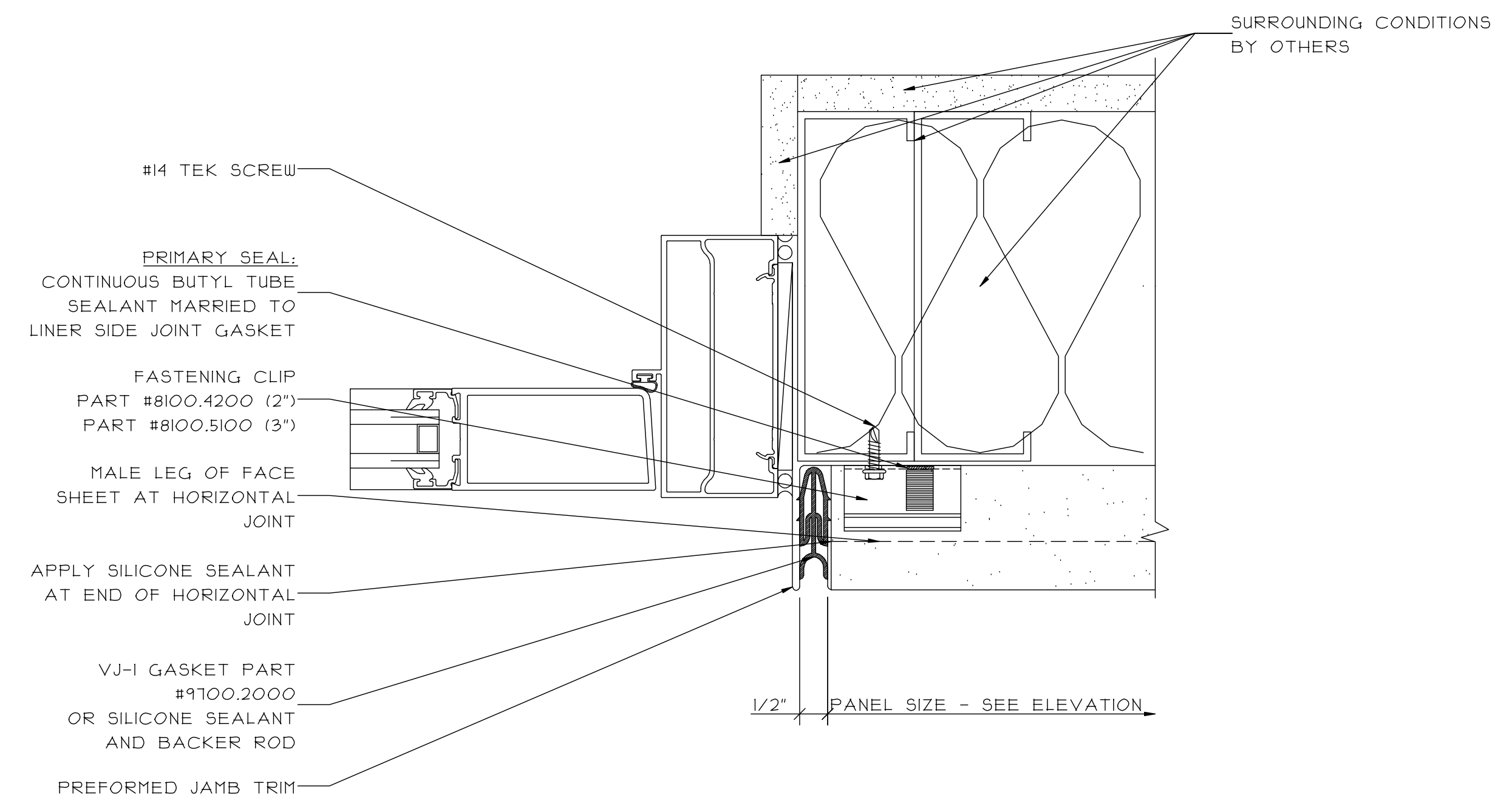
DRAWN:
 SAMPLE

PAGE:
 6 of 26



① DESIGN WALL JAMB
@ DOOR JAMB
REF. 3/A&02

② DESIGN WALL @ DOOR JAMB
REF. 14/A1.02



EXISTING CONDITIONS TO REMAIN

| | |
|------------|-------|
| REVISIONS: | DATE: |
| | |
| | |
| | |
| | |

| | | | | |
|---------------------|--------|--------|--------|--------|
| GLAZING CONTRACTOR: | SAMPLE | SAMPLE | SAMPLE | SAMPLE |
| | SAMPLE | SAMPLE | SAMPLE | SAMPLE |
| | SAMPLE | SAMPLE | SAMPLE | SAMPLE |
| | SAMPLE | SAMPLE | SAMPLE | SAMPLE |
| | SAMPLE | SAMPLE | SAMPLE | SAMPLE |

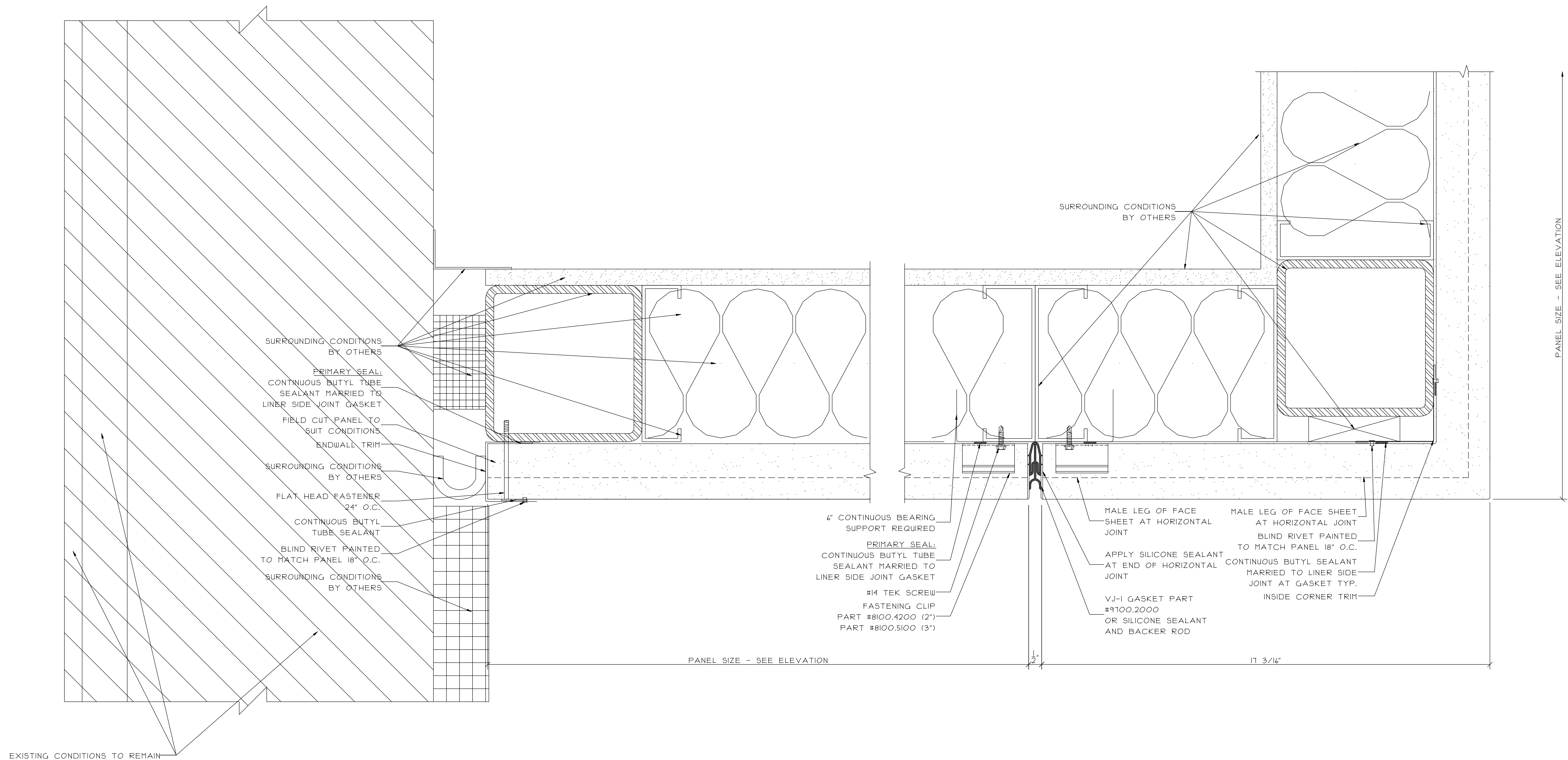
| | | | | |
|------------|--------|--------|--------|--------|
| ARCHITECT: | SAMPLE | SAMPLE | SAMPLE | SAMPLE |
| | SAMPLE | SAMPLE | SAMPLE | SAMPLE |
| | SAMPLE | SAMPLE | SAMPLE | SAMPLE |
| | SAMPLE | SAMPLE | SAMPLE | SAMPLE |
| | SAMPLE | SAMPLE | SAMPLE | SAMPLE |

| | | | | |
|-----------|--------|--------|--------|--------|
| PROJECT: | SAMPLE | SAMPLE | SAMPLE | SAMPLE |
| LOCATION: | SAMPLE | SAMPLE | SAMPLE | SAMPLE |

| | |
|--------|------------|
| SCALE: | 6" = 1'-0" |
| DATE: | SAMPLE |
| DRAWN: | SAMPLE |
| PAGE: | 7 of 26 |

① DESIGN WALL JAMB
REF. 3/A&O2

② DESIGN WALL OUTSIDE CORNER
REF. 2/A&O2 SIM



| | |
|------------|-------|
| REVISIONS: | DATE: |
| | |
| | |
| | |
| | |

| | | | | |
|---------------------|--------|--------|--------|--------|
| GLAZING CONTRACTOR: | SAMPLE | SAMPLE | SAMPLE | SAMPLE |
| | SAMPLE | SAMPLE | SAMPLE | SAMPLE |
| | SAMPLE | SAMPLE | SAMPLE | SAMPLE |
| | SAMPLE | SAMPLE | SAMPLE | SAMPLE |
| | SAMPLE | SAMPLE | SAMPLE | SAMPLE |

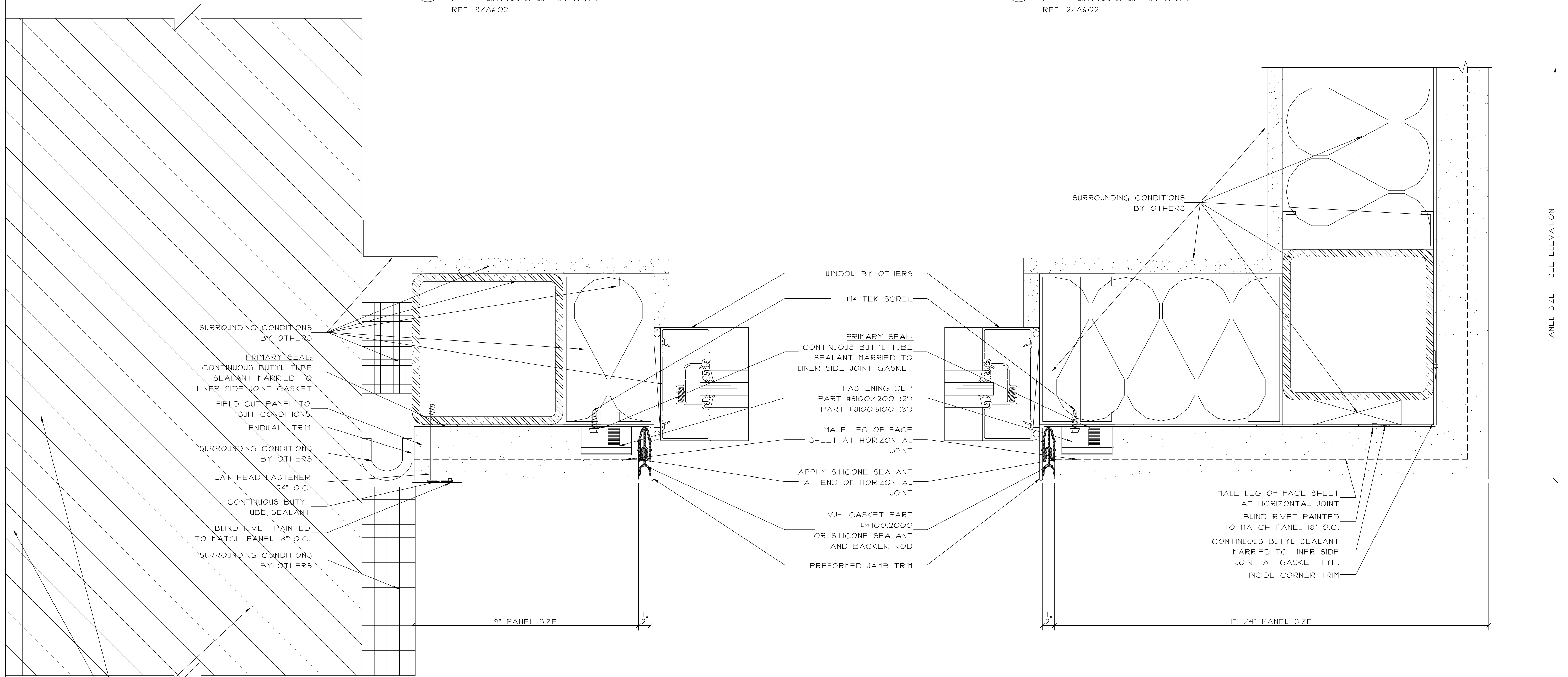
| | | | | |
|------------|--------|--------|--------|--------|
| ARCHITECT: | SAMPLE | SAMPLE | SAMPLE | SAMPLE |
| | SAMPLE | SAMPLE | SAMPLE | SAMPLE |
| | SAMPLE | SAMPLE | SAMPLE | SAMPLE |
| | SAMPLE | SAMPLE | SAMPLE | SAMPLE |
| | SAMPLE | SAMPLE | SAMPLE | SAMPLE |

| | | | | |
|-----------|--------|--------|--------|--------|
| PROJECT: | SAMPLE | SAMPLE | SAMPLE | SAMPLE |
| LOCATION: | SAMPLE | SAMPLE | SAMPLE | SAMPLE |

| | |
|--------|------------|
| SCALE: | 6" = 1'-0" |
| DATE: | SAMPLE |
| DRAWN: | SAMPLE |
| PAGE: | 8 of 26 |

① DESIGN WALL JAMB
 1/2" @ WINDOW JAMB
 REF. 3/A&02

② DESIGN WALL OUTSIDE CORNER
 1/2" @ WINDOW JAMB
 REF. 2/A&02



EXISTING CONDITIONS TO REMAIN

| | |
|------------|-------|
| REVISIONS: | DATE: |
| | |
| | |
| | |
| | |

| | |
|---------------------|----------------------|
| GLAZING CONTRACTOR: | SAMPLE SAMPLE SAMPLE |
| | SAMPLE SAMPLE SAMPLE |
| | SAMPLE SAMPLE SAMPLE |
| | SAMPLE SAMPLE SAMPLE |
| | SAMPLE SAMPLE SAMPLE |

| | |
|------------|----------------------|
| ARCHITECT: | SAMPLE SAMPLE SAMPLE |
| | SAMPLE SAMPLE SAMPLE |
| | SAMPLE SAMPLE SAMPLE |
| | SAMPLE SAMPLE SAMPLE |
| | SAMPLE SAMPLE SAMPLE |

| | |
|-----------|----------------------|
| PROJECT: | SAMPLE SAMPLE SAMPLE |
| LOCATION: | SAMPLE SAMPLE SAMPLE |

SCALE:
 6" = 1'-0"

DATE:
 SAMPLE

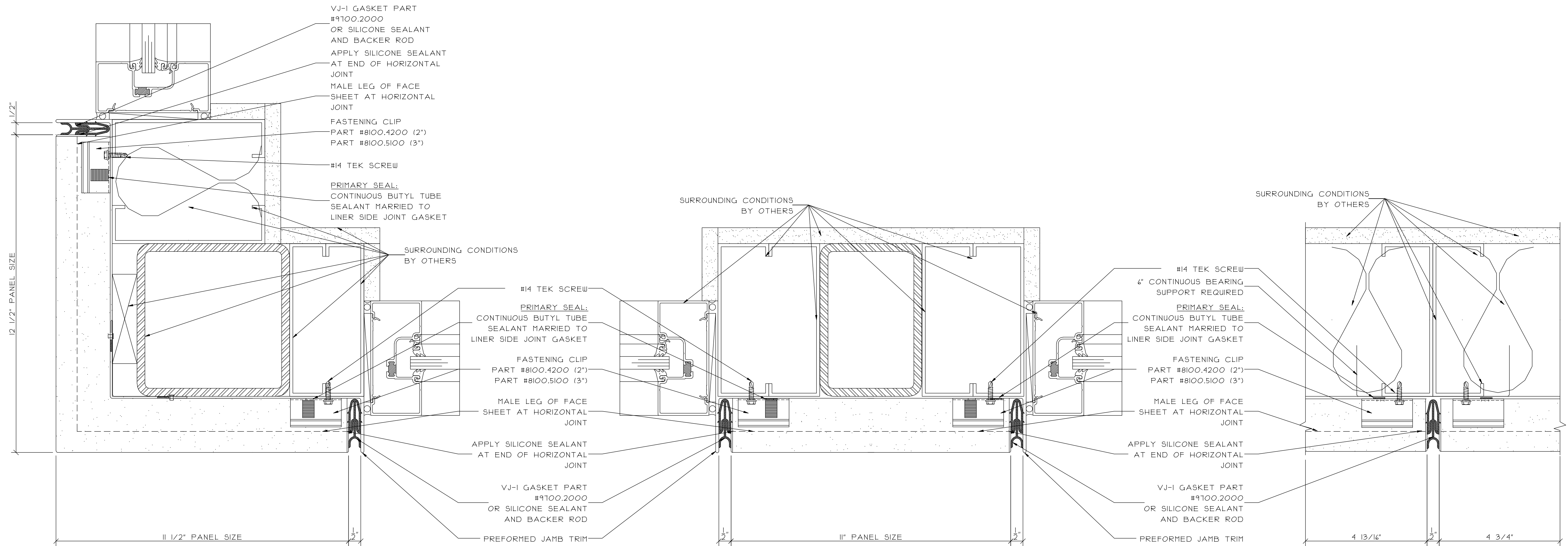
DRAWN:
 SAMPLE

PAGE:
 9 of 26

① DESIGN WALL OUTSIDE CORNER
 @ WINDOW JAMB
 REF. 2/A&O2

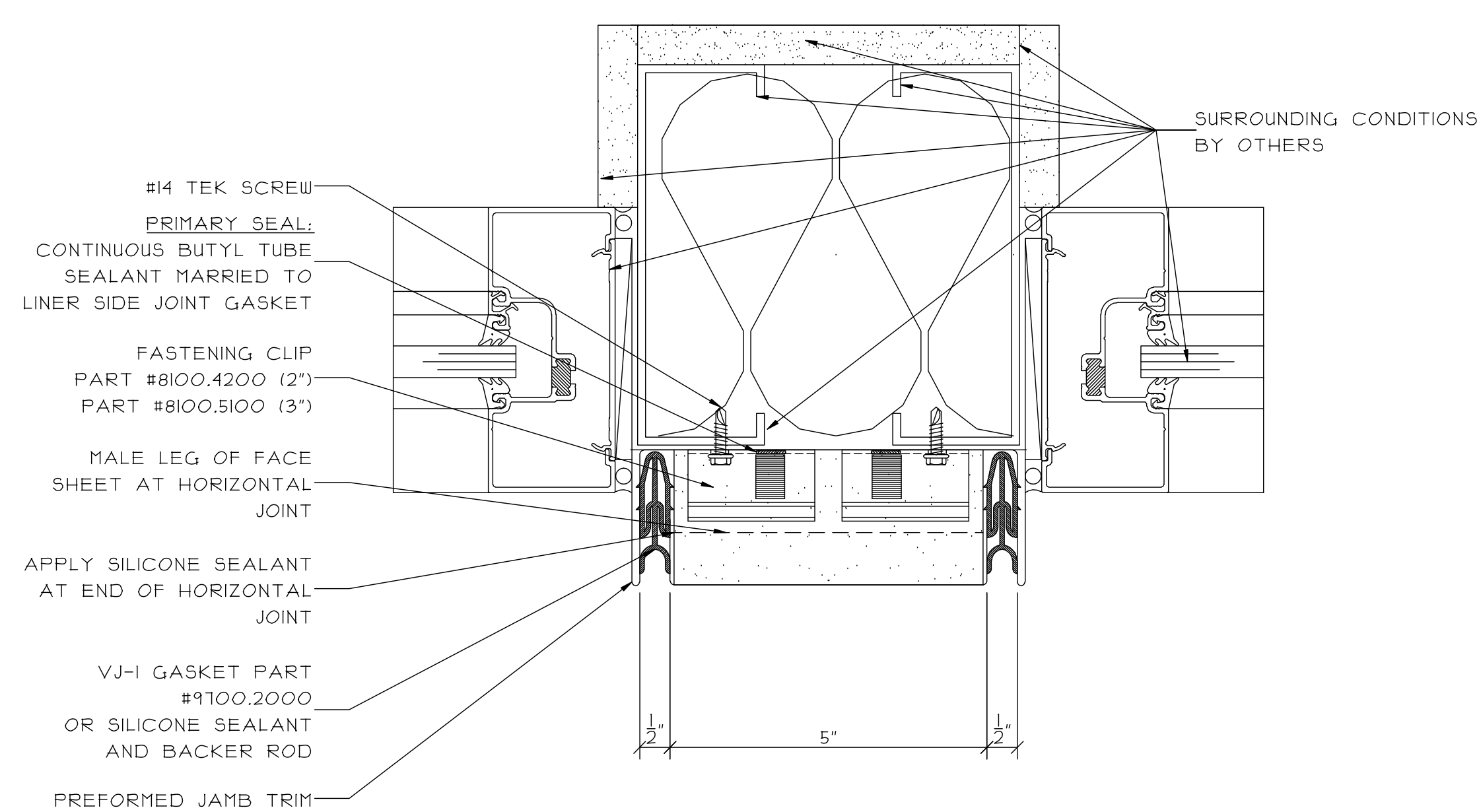
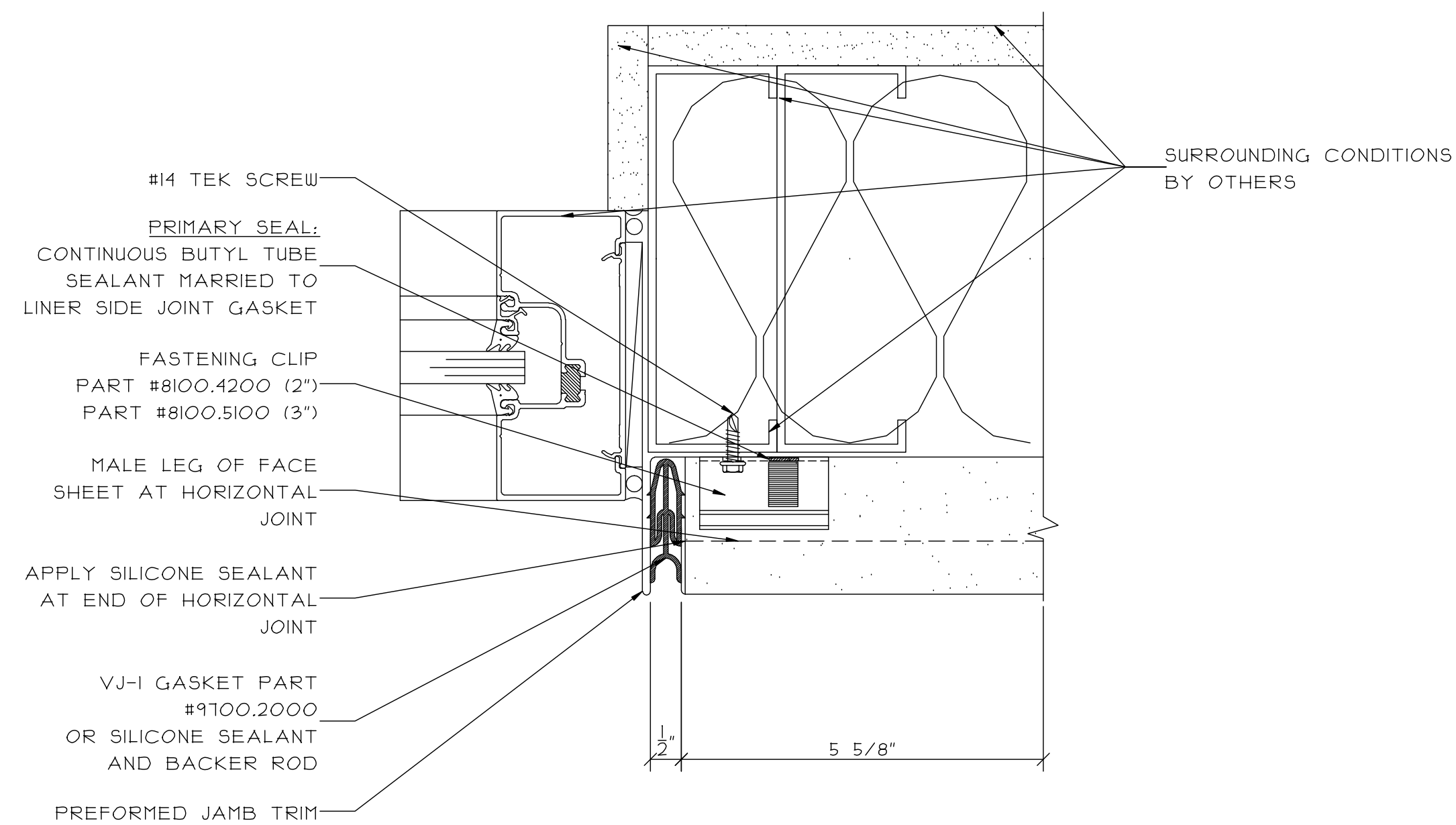
② DESIGN WALL @ WINDOW JAMBS

③ DESIGN WALL VERTICAL JOINT



④ DESIGN WALL @ WINDOW JAMB

⑤ DESIGN WALL @ WINDOW JAMBS



DATE:

| |
|--|
| |
| |
| |
| |
| |

REVISIONS:

| | | | |
|--|--|--|--|
| | | | |
| | | | |
| | | | |
| | | | |
| | | | |

GLAZING CONTRACTOR:

| | | | |
|--------|--------|--------|--------|
| SAMPLE | SAMPLE | SAMPLE | SAMPLE |
| SAMPLE | SAMPLE | SAMPLE | SAMPLE |
| SAMPLE | SAMPLE | SAMPLE | SAMPLE |
| SAMPLE | SAMPLE | SAMPLE | SAMPLE |
| SAMPLE | SAMPLE | SAMPLE | SAMPLE |

ARCHITECT:

| | | | |
|--------|--------|--------|--------|
| SAMPLE | SAMPLE | SAMPLE | SAMPLE |
| SAMPLE | SAMPLE | SAMPLE | SAMPLE |
| SAMPLE | SAMPLE | SAMPLE | SAMPLE |
| SAMPLE | SAMPLE | SAMPLE | SAMPLE |
| SAMPLE | SAMPLE | SAMPLE | SAMPLE |

PROJECT: SAMPLE SAMPLE SAMPLE

LOCATION: SAMPLE SAMPLE SAMPLE

SCALE:
6" = 1'-0"

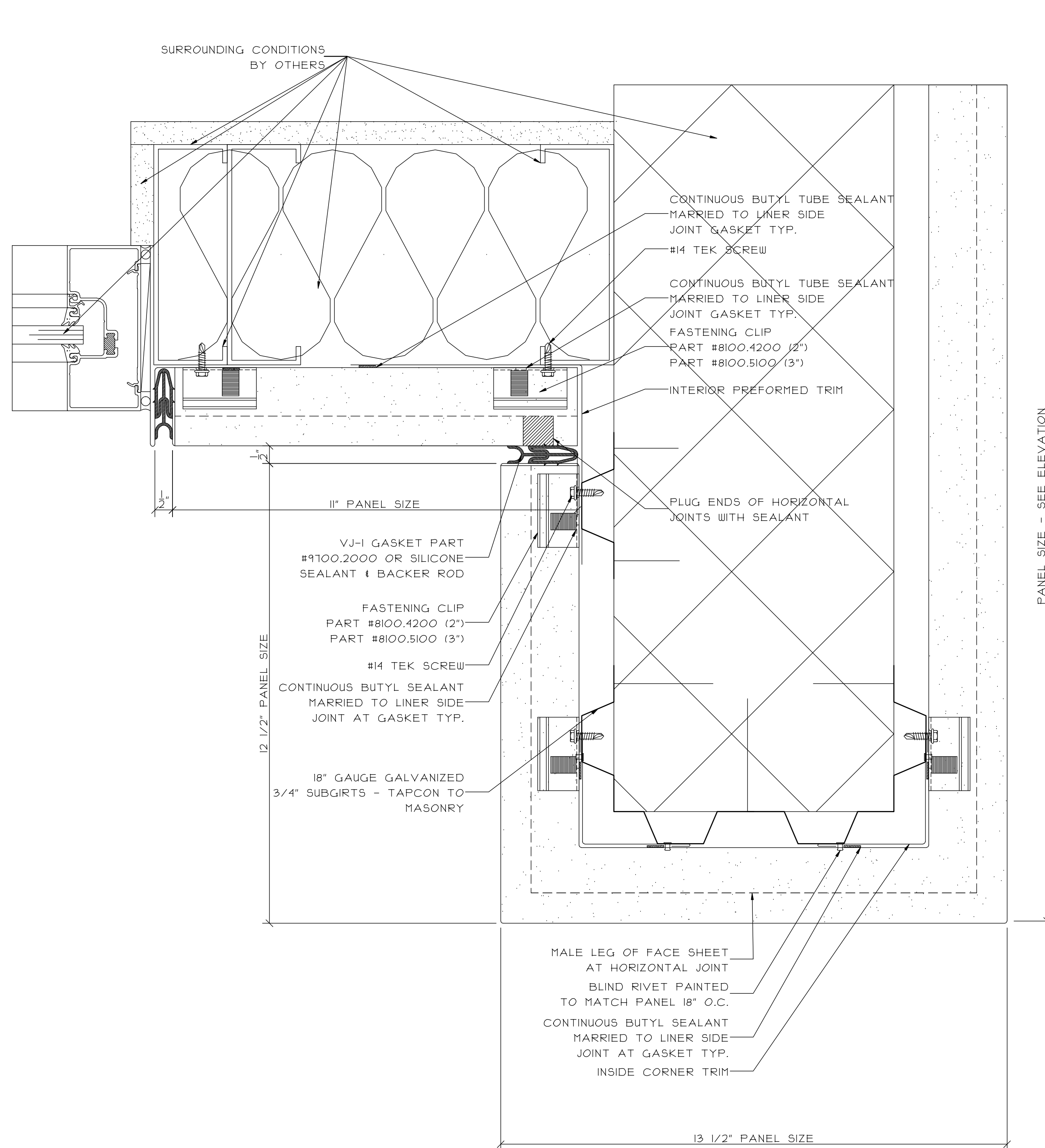
DATE:
SAMPLE

DRAWN:
SAMPLE

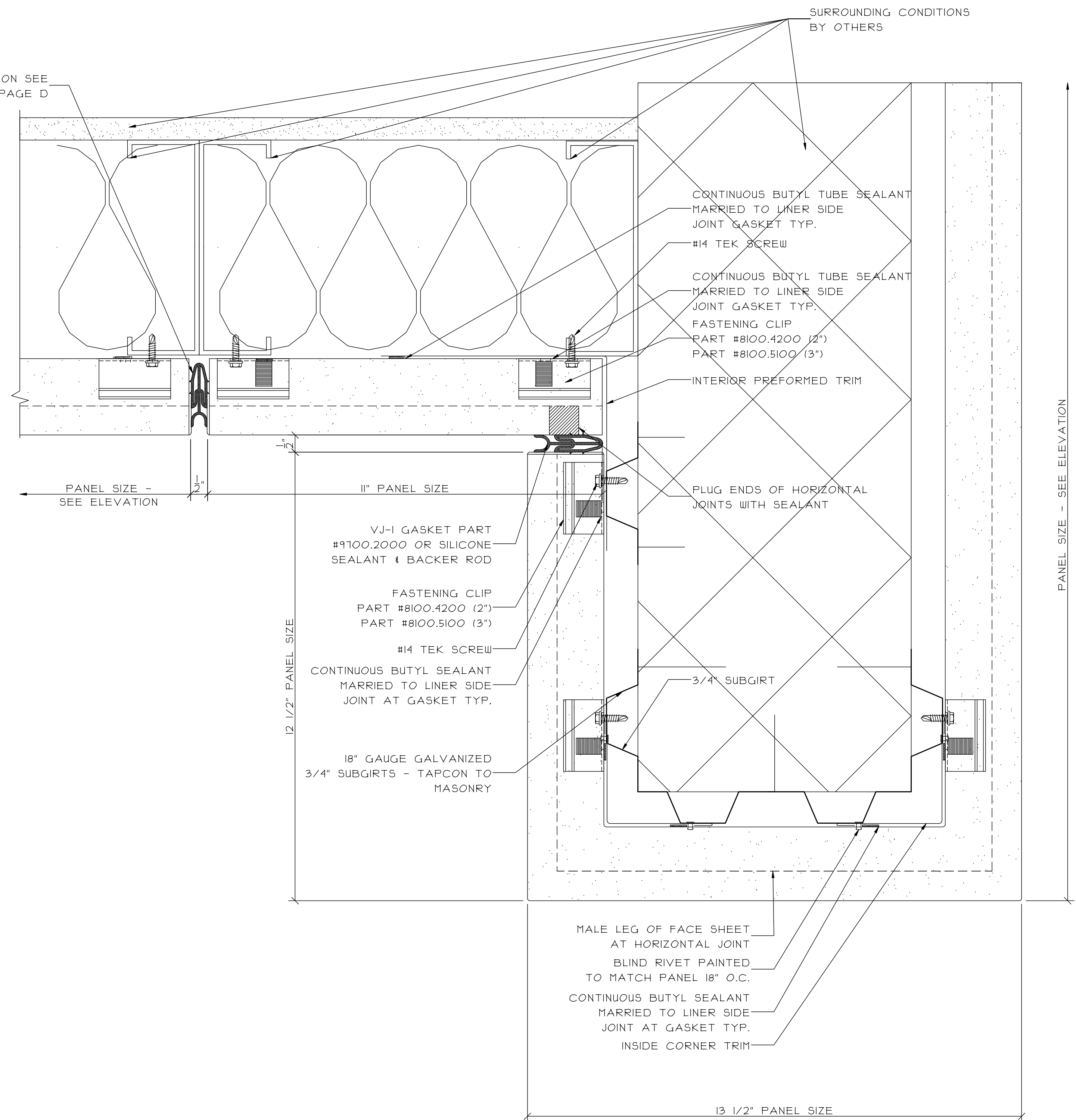
PAGE:
10 of 26

① DESIGN WALL INSIDE CORNER
 OUTSIDE CORNER
 ‡ @ WINDOW JAMB
 REF. 10/A&O2

② DESIGN WALL INSIDE CORNER
 OUTSIDE CORNER
 ‡ @ WINDOW JAMB
 REF. 10/A&O2



FOR PART DESCRIPTION SEE
 DETAIL 3 PAGE D



| | |
|------------|-------|
| REVISIONS: | DATE: |
| | |
| | |
| | |
| | |

| | | | |
|---------------------|--------|--------|--------|
| GLAZING CONTRACTOR: | SAMPLE | SAMPLE | SAMPLE |
| | SAMPLE | SAMPLE | SAMPLE |
| | SAMPLE | SAMPLE | SAMPLE |
| | SAMPLE | SAMPLE | SAMPLE |
| | SAMPLE | SAMPLE | SAMPLE |

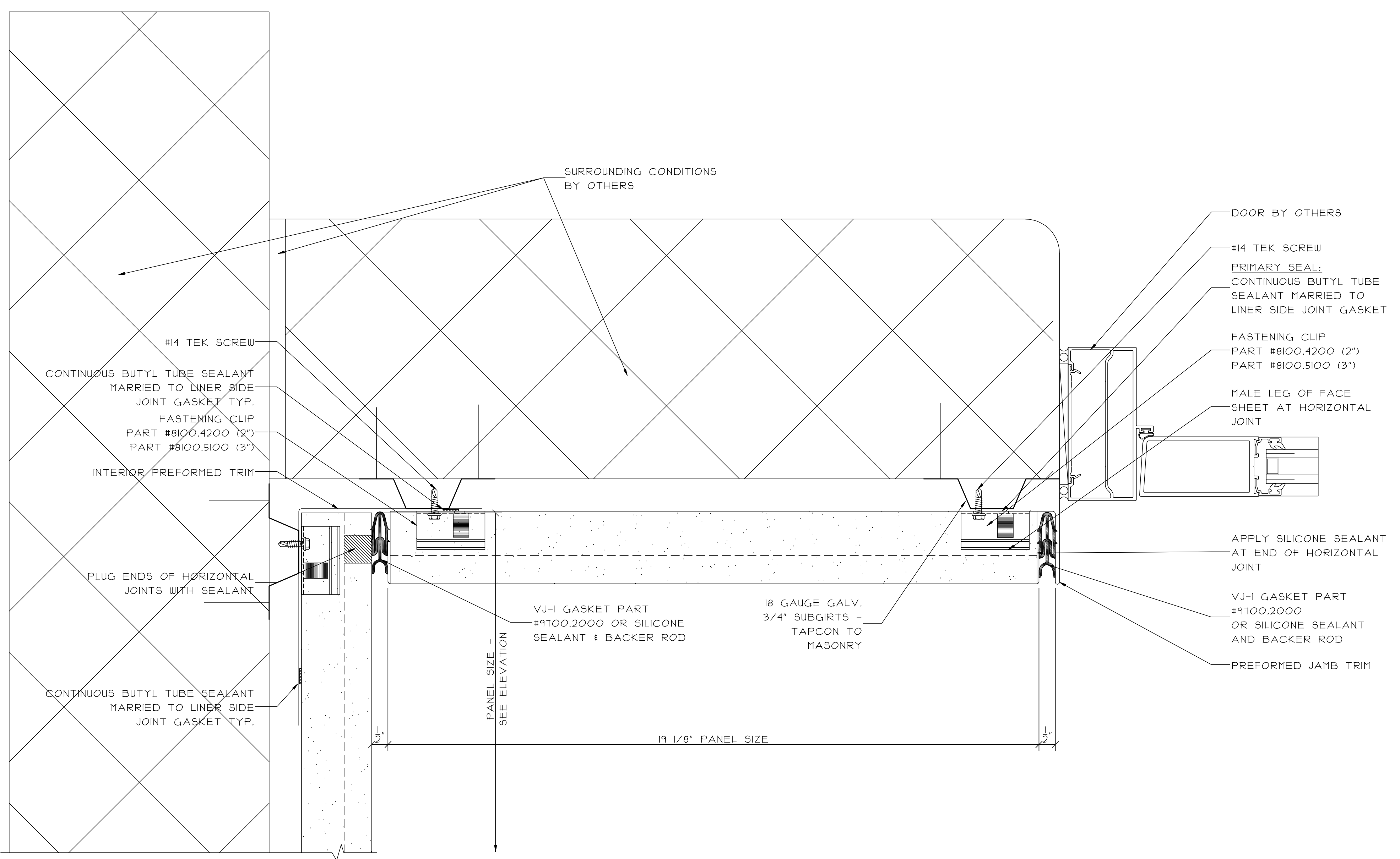
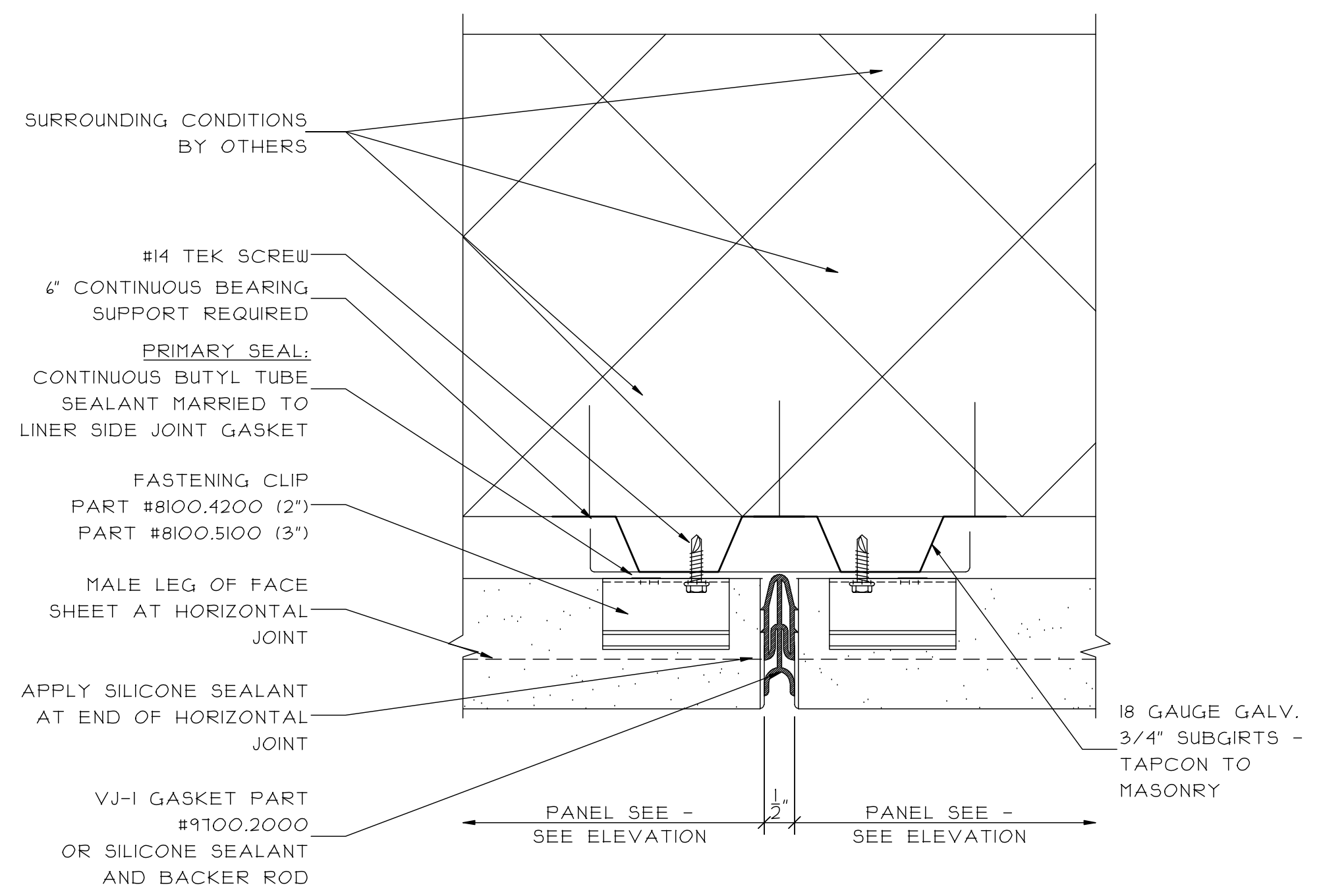
| | | | |
|------------|--------|--------|--------|
| ARCHITECT: | SAMPLE | SAMPLE | SAMPLE |
| | SAMPLE | SAMPLE | SAMPLE |
| | SAMPLE | SAMPLE | SAMPLE |
| | SAMPLE | SAMPLE | SAMPLE |
| | SAMPLE | SAMPLE | SAMPLE |

| | | | |
|-----------|--------|--------|--------|
| PROJECT: | SAMPLE | SAMPLE | SAMPLE |
| LOCATION: | SAMPLE | SAMPLE | SAMPLE |

| | |
|--------|------------|
| SCALE: | 6" = 1'-0" |
| DATE: | SAMPLE |
| DRAWN: | SAMPLE |
| PAGE: | 11 of 26 |

① DESIGN WALL VERTICAL JOINT

② DESIGN WALL INSIDE CORNER
 † @ DOOR JAMB
 REF. 8/A&02



| | |
|------------|-------|
| REVISIONS: | DATE: |
| | |
| | |
| | |
| | |

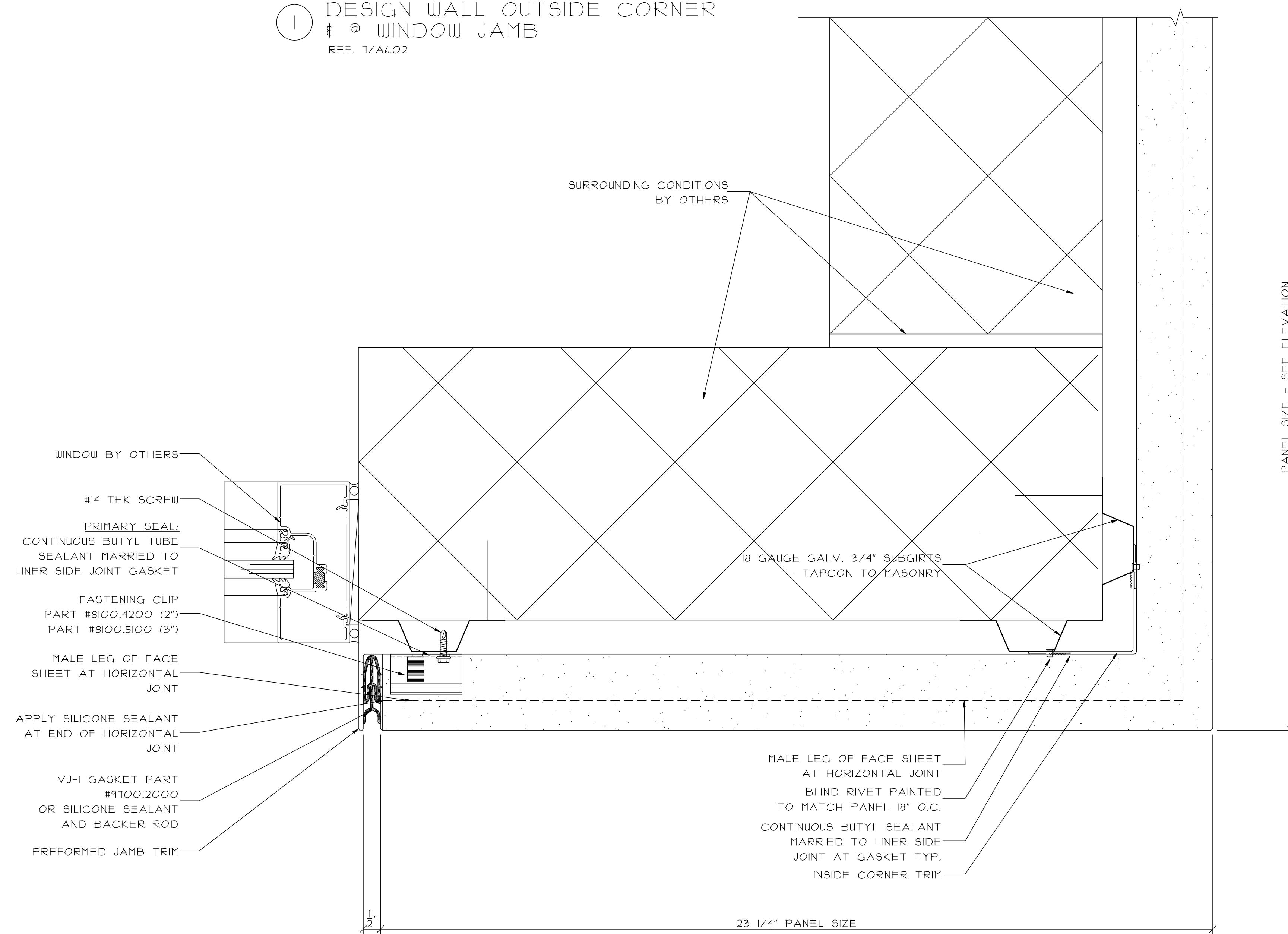
| | |
|---------------------|----------------------|
| GLAZING CONTRACTOR: | SAMPLE SAMPLE SAMPLE |
| | SAMPLE SAMPLE SAMPLE |
| | SAMPLE SAMPLE SAMPLE |
| | SAMPLE SAMPLE SAMPLE |
| | SAMPLE SAMPLE SAMPLE |

| | |
|------------|----------------------|
| ARCHITECT: | SAMPLE SAMPLE SAMPLE |
| | SAMPLE SAMPLE SAMPLE |
| | SAMPLE SAMPLE SAMPLE |
| | SAMPLE SAMPLE SAMPLE |
| | SAMPLE SAMPLE SAMPLE |

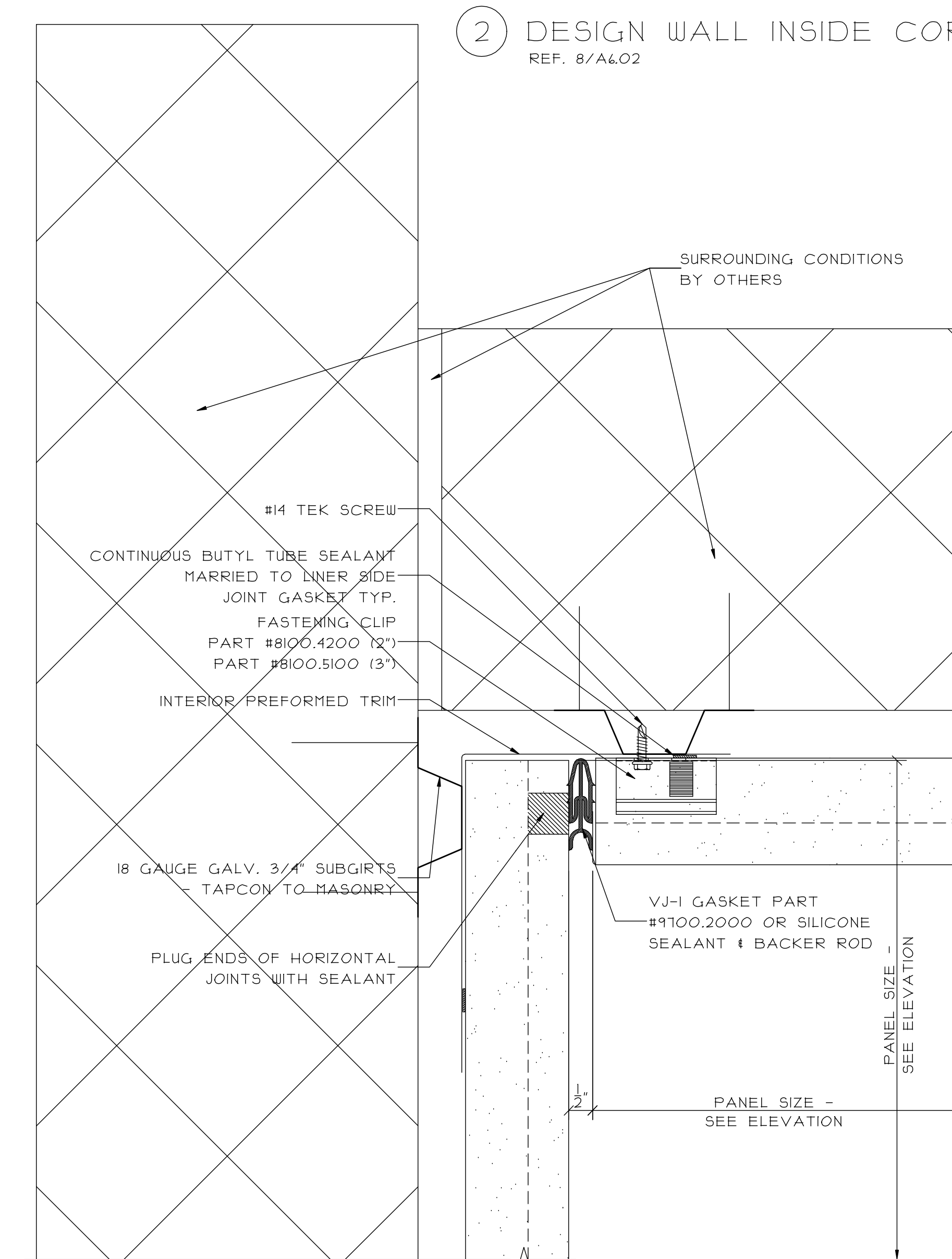
| | |
|-----------|----------------------|
| PROJECT: | SAMPLE SAMPLE SAMPLE |
| LOCATION: | SAMPLE SAMPLE SAMPLE |

| | |
|--------|------------|
| SCALE: | 6" = 1'-0" |
| DATE: | SAMPLE |
| DRAWN: | SAMPLE |
| PAGE: | 12 of 26 |

① DESIGN WALL OUTSIDE CORNER
 ‡ @ WINDOW JAMB
 REF. 1/A&02



② DESIGN WALL INSIDE CORNER
 REF. 8/A&02



| REVISIONS: | DATE: |
|------------|-------|
| | |
| | |
| | |
| | |

| GLAZING CONTRACTOR: |
|----------------------|
| SAMPLE SAMPLE SAMPLE |
| SAMPLE SAMPLE SAMPLE |
| SAMPLE SAMPLE SAMPLE |
| SAMPLE SAMPLE SAMPLE |
| SAMPLE SAMPLE SAMPLE |

| ARCHITECT: |
|----------------------|
| SAMPLE SAMPLE SAMPLE |
| SAMPLE SAMPLE SAMPLE |
| SAMPLE SAMPLE SAMPLE |
| SAMPLE SAMPLE SAMPLE |
| SAMPLE SAMPLE SAMPLE |

| | |
|-------------------------------|--------------------------------|
| PROJECT: SAMPLE SAMPLE SAMPLE | LOCATION: SAMPLE SAMPLE SAMPLE |
|-------------------------------|--------------------------------|

SCALE:
 6" = 1'-0"

DATE:
 SAMPLE

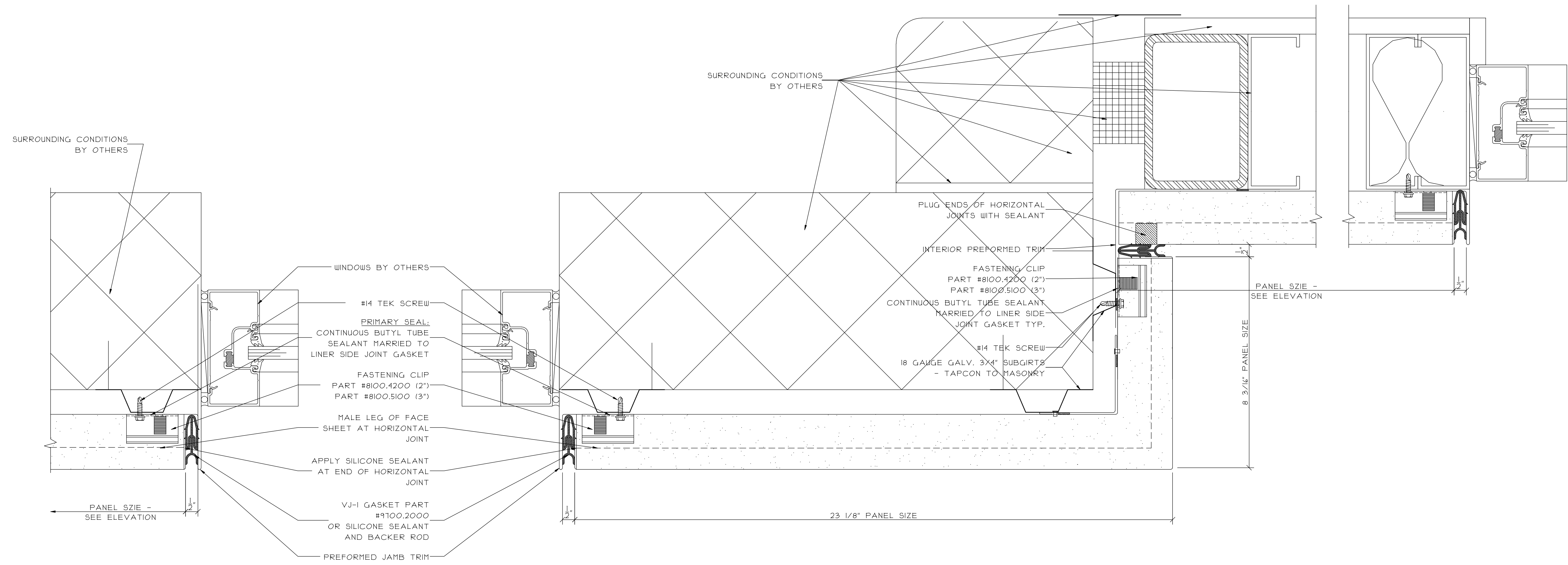
DRAWN:
 SAMPLE

PAGE:
 13 of 26

① DESIGN WALL @ WINDOW JAMB

② DESIGN WALL OUTSIDE CORNER
W/ INSIDE CORNER
@ WINDOW JAMB
REF. 13/A&O2

③ DESIGN WALL @ WINDOW JAMB
REF. 13/A&O2



| | |
|------------|-------|
| REVISIONS: | DATE: |
| | |
| | |
| | |
| | |

| | |
|---------------------|----------------------|
| GLAZING CONTRACTOR: | SAMPLE SAMPLE SAMPLE |
| | SAMPLE SAMPLE SAMPLE |
| | SAMPLE SAMPLE SAMPLE |
| | SAMPLE SAMPLE SAMPLE |
| | SAMPLE SAMPLE SAMPLE |

| | |
|------------|----------------------|
| ARCHITECT: | SAMPLE SAMPLE SAMPLE |
| | SAMPLE SAMPLE SAMPLE |
| | SAMPLE SAMPLE SAMPLE |
| | SAMPLE SAMPLE SAMPLE |
| | SAMPLE SAMPLE SAMPLE |

| | |
|-----------|----------------------|
| PROJECT: | SAMPLE SAMPLE SAMPLE |
| LOCATION: | SAMPLE SAMPLE SAMPLE |

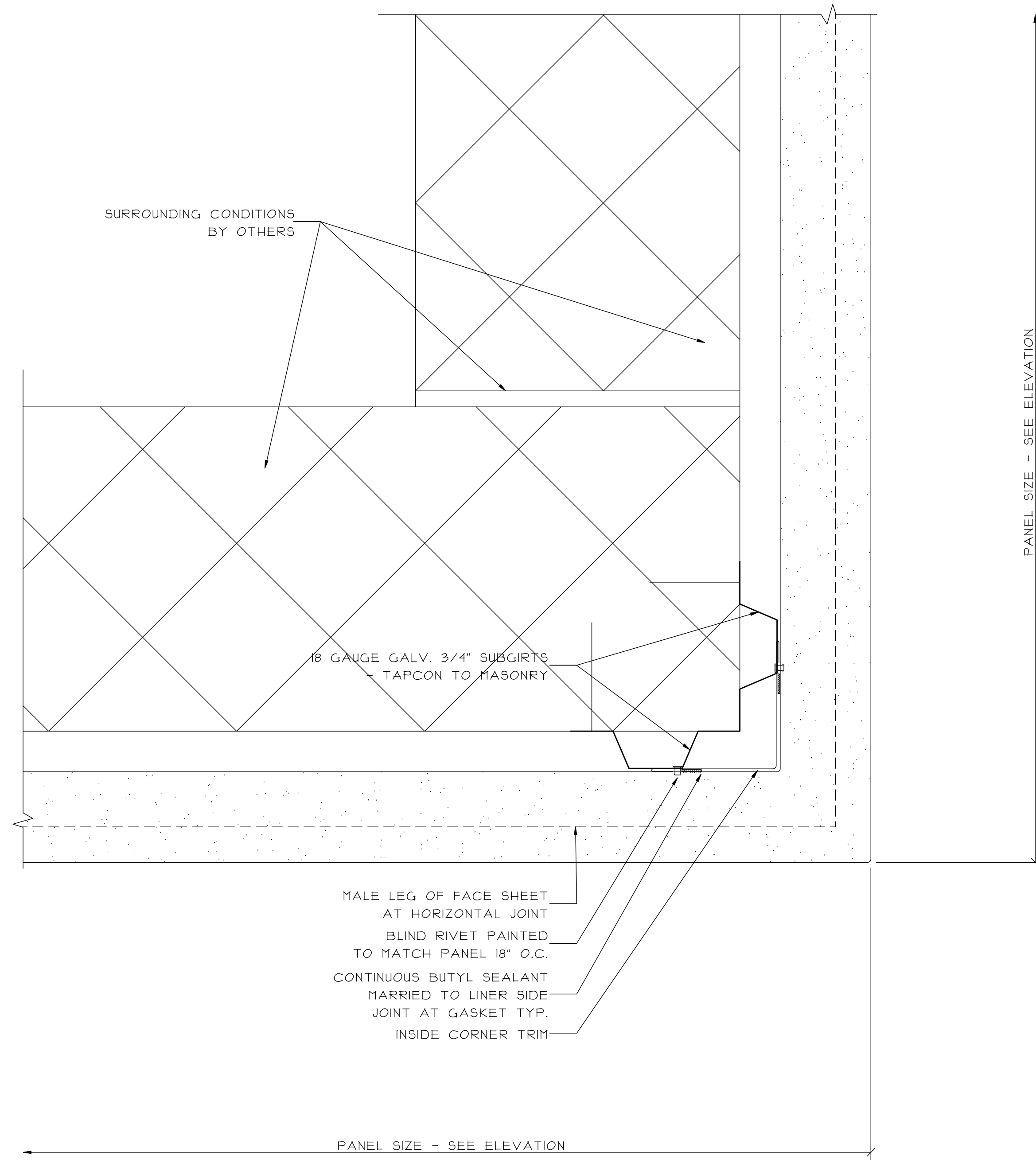
SCALE:
6" = 1'-0"

DATE:
SAMPLE

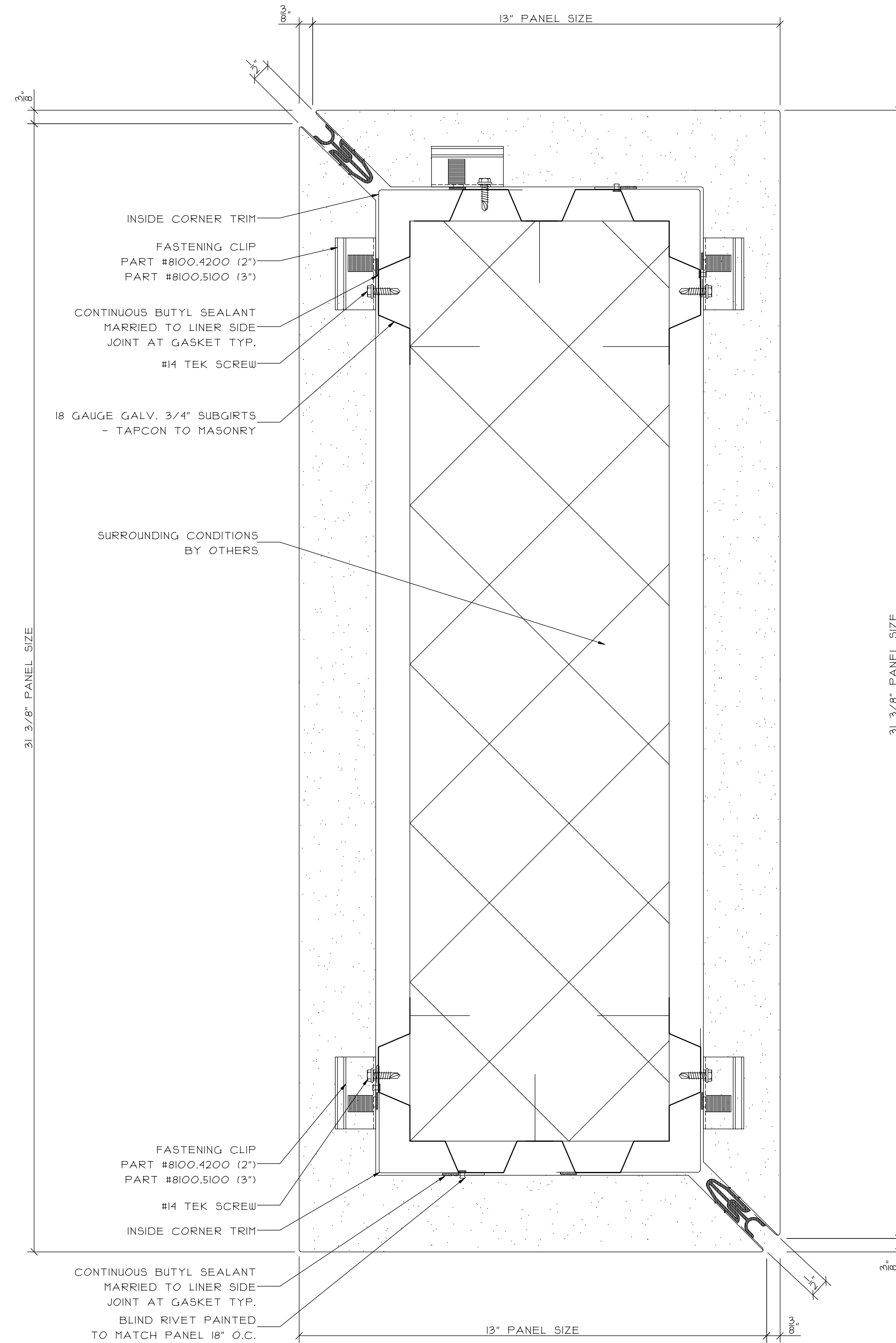
DRAWN:
SAMPLE

PAGE:
14 of 26

① DESIGN WALL OUTSIDE CORNER



② DESIGN WALL @ COLUMN
REF. 9/A&02



| REVISIONS: | DATE: |
|------------|-------|
| | |
| | |
| | |
| | |

| GLAZING CONTRACTOR: |
|----------------------|
| SAMPLE SAMPLE SAMPLE |
| SAMPLE SAMPLE SAMPLE |
| SAMPLE SAMPLE SAMPLE |
| SAMPLE SAMPLE SAMPLE |
| SAMPLE SAMPLE SAMPLE |

| ARCHITECT: |
|----------------------|
| SAMPLE SAMPLE SAMPLE |
| SAMPLE SAMPLE SAMPLE |
| SAMPLE SAMPLE SAMPLE |
| SAMPLE SAMPLE SAMPLE |
| SAMPLE SAMPLE SAMPLE |

| | |
|-----------|----------------------|
| PROJECT: | SAMPLE SAMPLE SAMPLE |
| LOCATION: | SAMPLE SAMPLE SAMPLE |

SCALE:
6" = 1'-0"

DATE:
SAMPLE

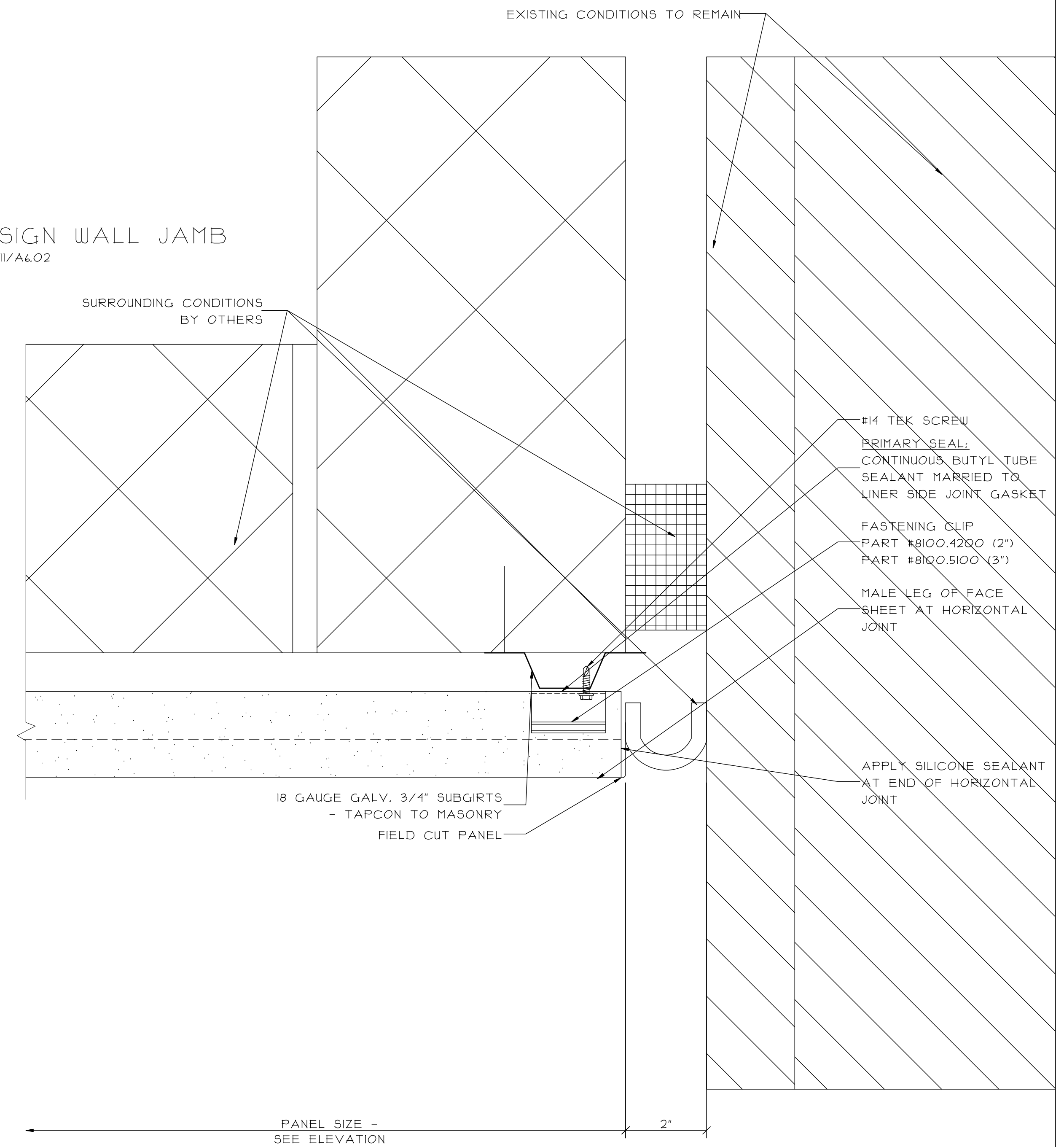
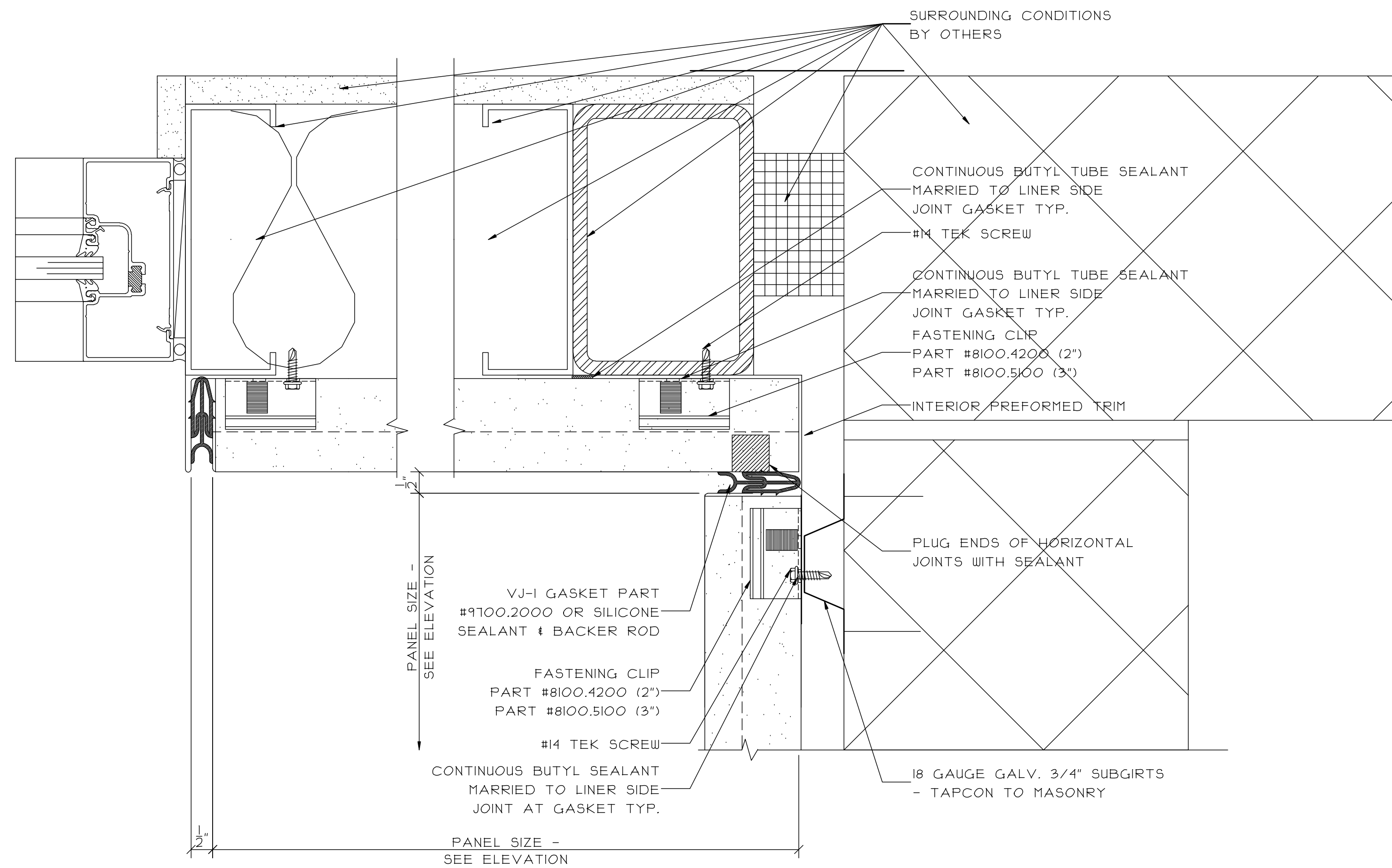
DRAWN:
SAMPLE

PAGE:
15 of 26

① DESIGN WALL @ WINDOW JAMB
REF. 12/A&02

② DESIGN WALL INSIDE CORNER
REF. 12/A&02

③ DESIGN WALL JAMB
REF. 11/A&02



| REVISIONS: | DATE: |
|------------|-------|
| | |
| | |
| | |
| | |

| GLAZING CONTRACTOR: |
|----------------------|
| SAMPLE SAMPLE SAMPLE |
| SAMPLE SAMPLE SAMPLE |
| SAMPLE SAMPLE SAMPLE |
| SAMPLE SAMPLE SAMPLE |
| SAMPLE SAMPLE SAMPLE |

| ARCHITECT: |
|----------------------|
| SAMPLE SAMPLE SAMPLE |
| SAMPLE SAMPLE SAMPLE |
| SAMPLE SAMPLE SAMPLE |
| SAMPLE SAMPLE SAMPLE |
| SAMPLE SAMPLE SAMPLE |

| |
|--------------------------------|
| PROJECT: SAMPLE SAMPLE SAMPLE |
| LOCATION: SAMPLE SAMPLE SAMPLE |

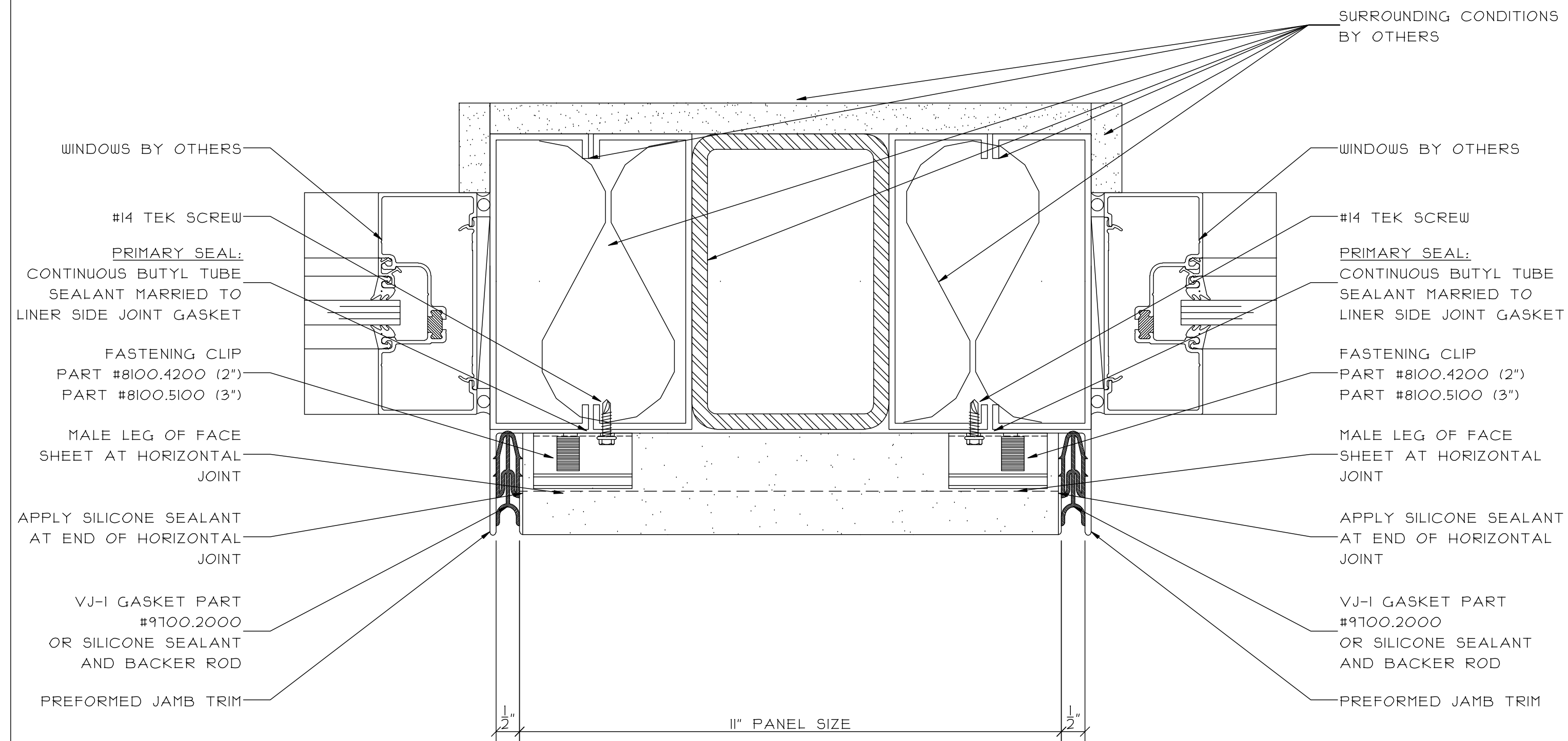
SCALE:
6" = 1'-0"

DATE:
SAMPLE

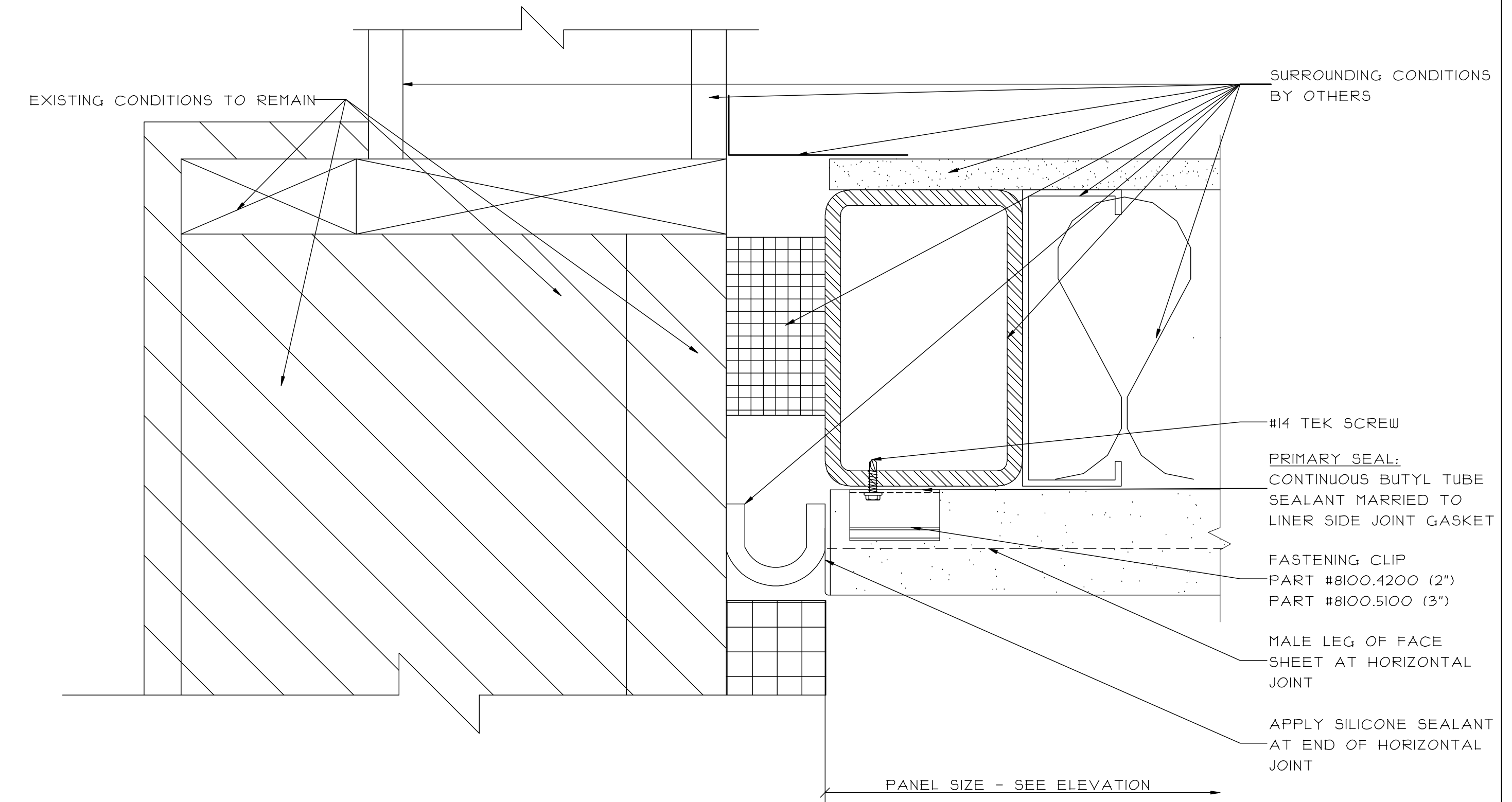
DRAWN:
SAMPLE

PAGE:
16 of 26

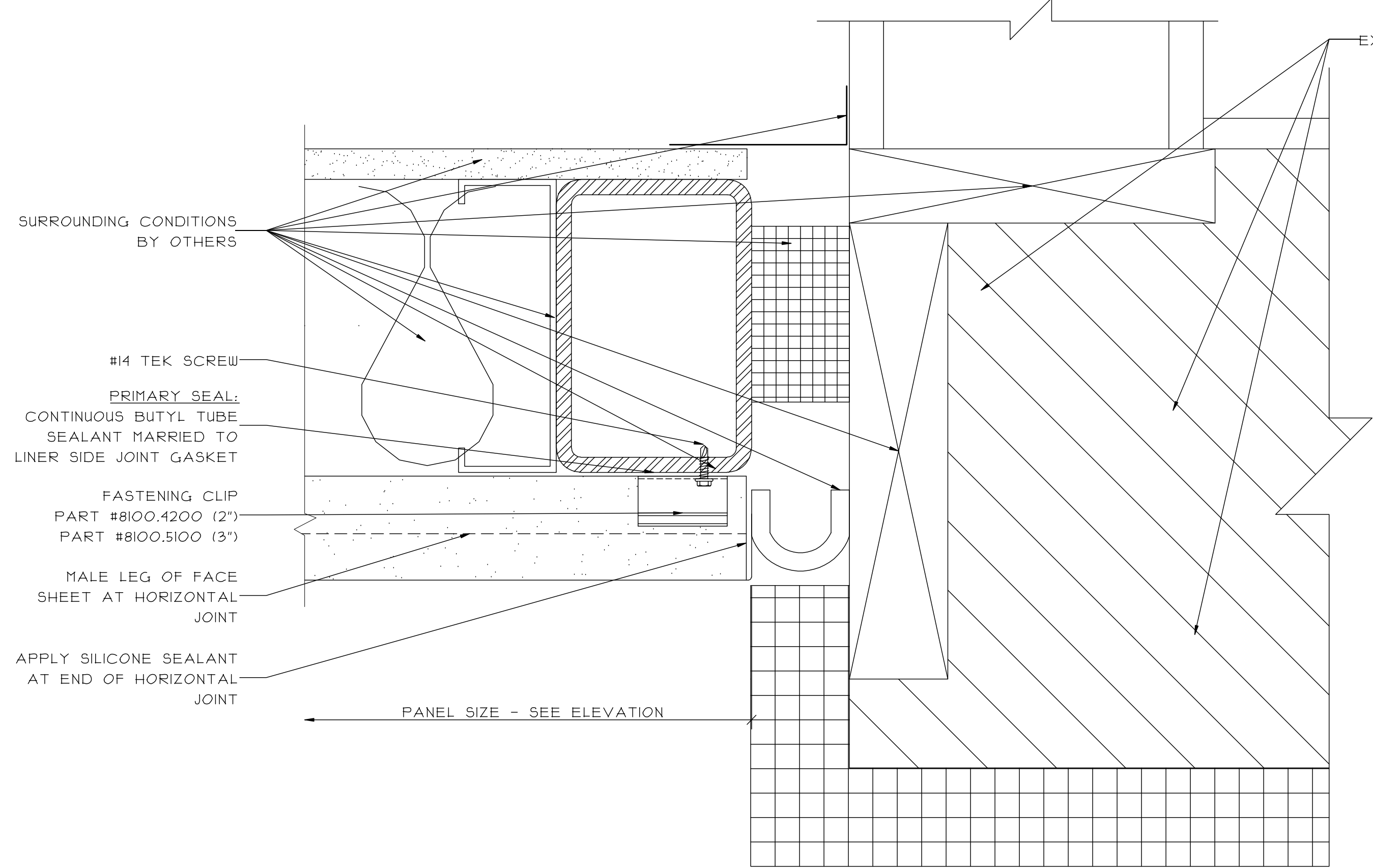
① DESIGN WALL @ WINDOW JAMBS



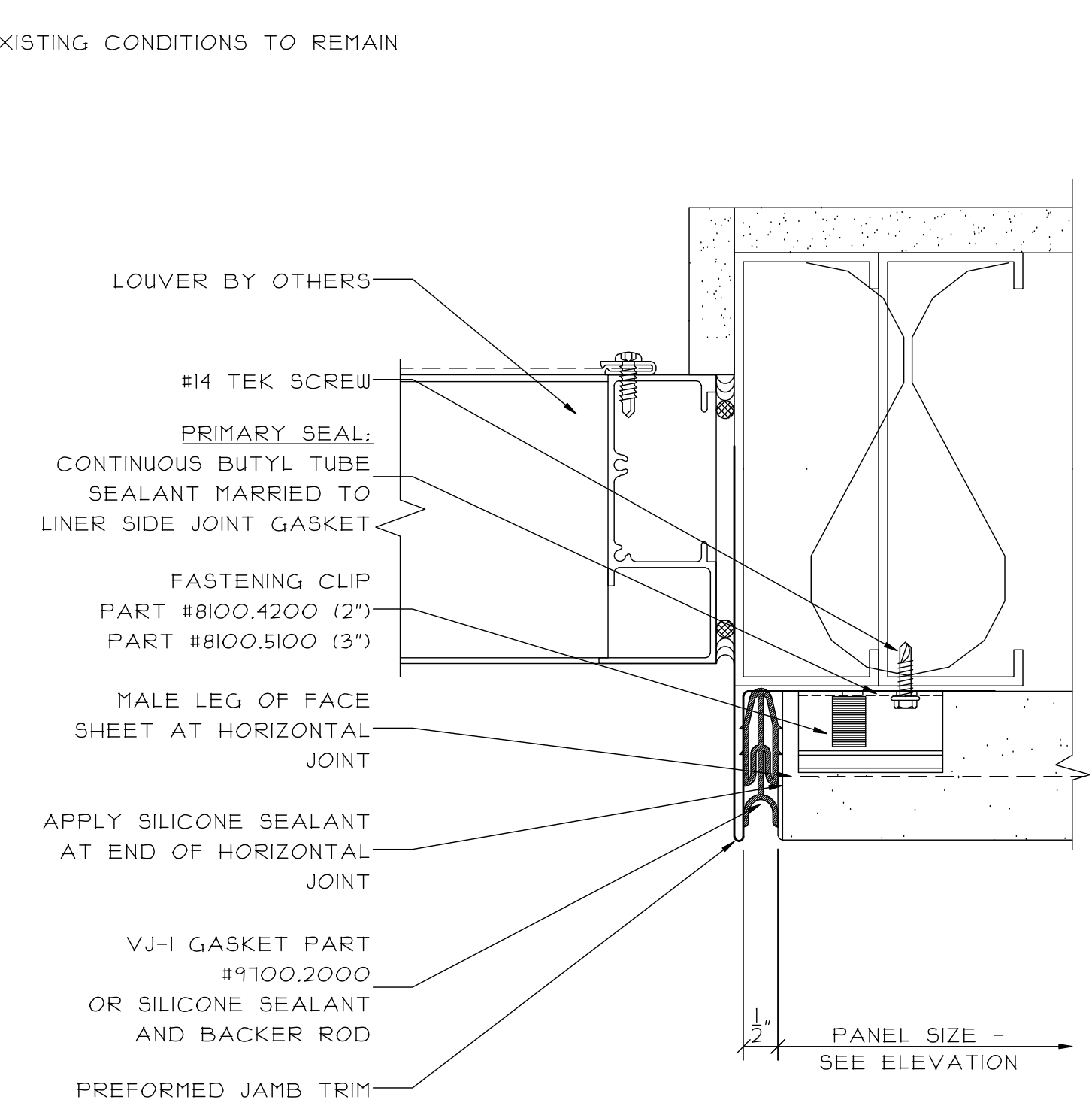
② DESIGN WALL JAMB
REF. 14/A&02



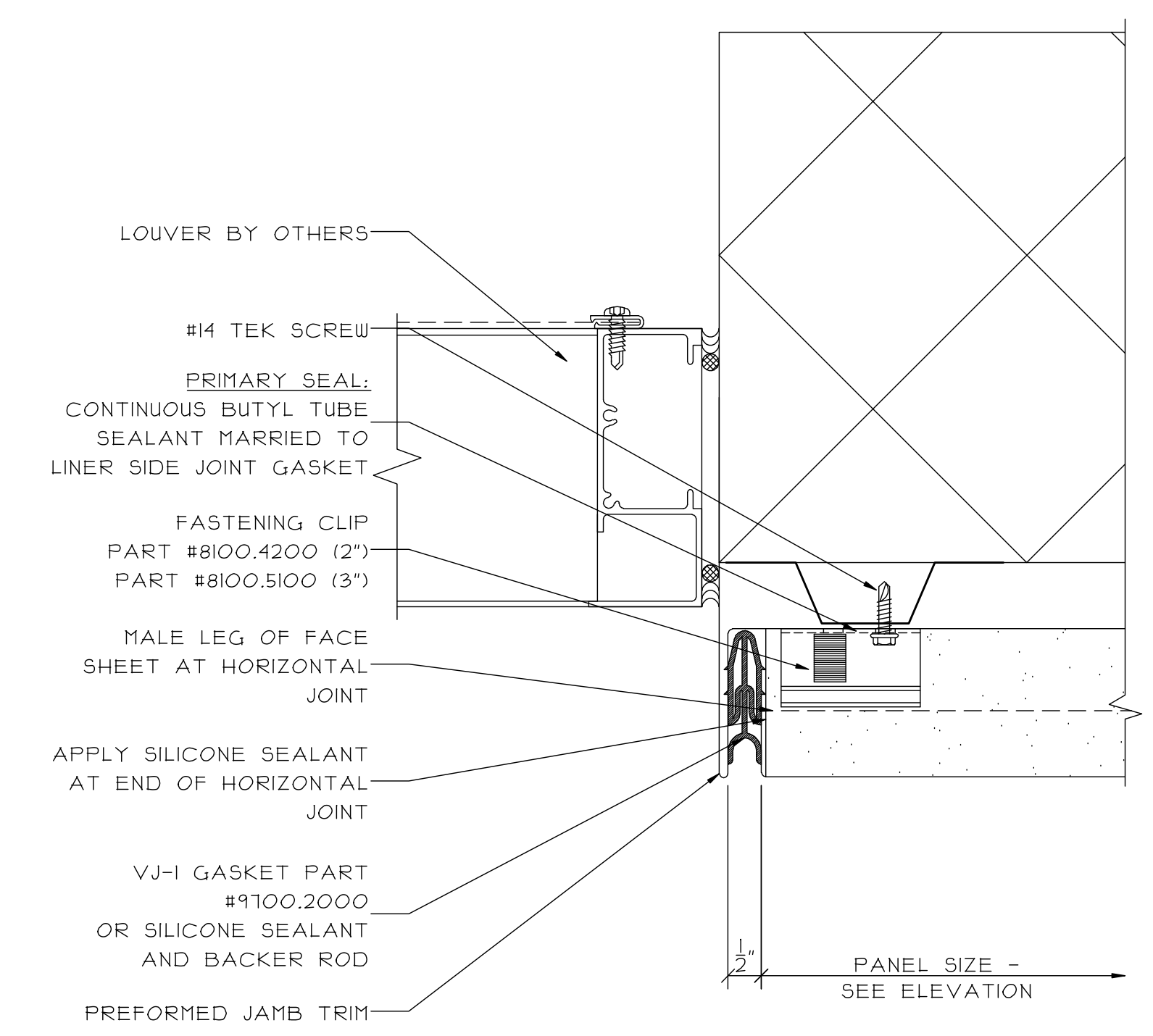
③ DESIGN WALL JAMB
REF. 15/A&02



④ DESIGN WALL @ LOUVER JAMB



⑤ DESIGN WALL WINDOW JAMB



DATE: _____

REVISIONS:

| | |
|--|--|
| | |
| | |
| | |
| | |
| | |

GLAZING CONTRACTOR:

| | | |
|--------|--------|--------|
| SAMPLE | SAMPLE | SAMPLE |
| SAMPLE | SAMPLE | SAMPLE |
| SAMPLE | SAMPLE | SAMPLE |
| SAMPLE | SAMPLE | SAMPLE |
| SAMPLE | SAMPLE | SAMPLE |

ARCHITECT:

| | | |
|--------|--------|--------|
| SAMPLE | SAMPLE | SAMPLE |
| SAMPLE | SAMPLE | SAMPLE |
| SAMPLE | SAMPLE | SAMPLE |
| SAMPLE | SAMPLE | SAMPLE |
| SAMPLE | SAMPLE | SAMPLE |

PROJECT: SAMPLE SAMPLE SAMPLE

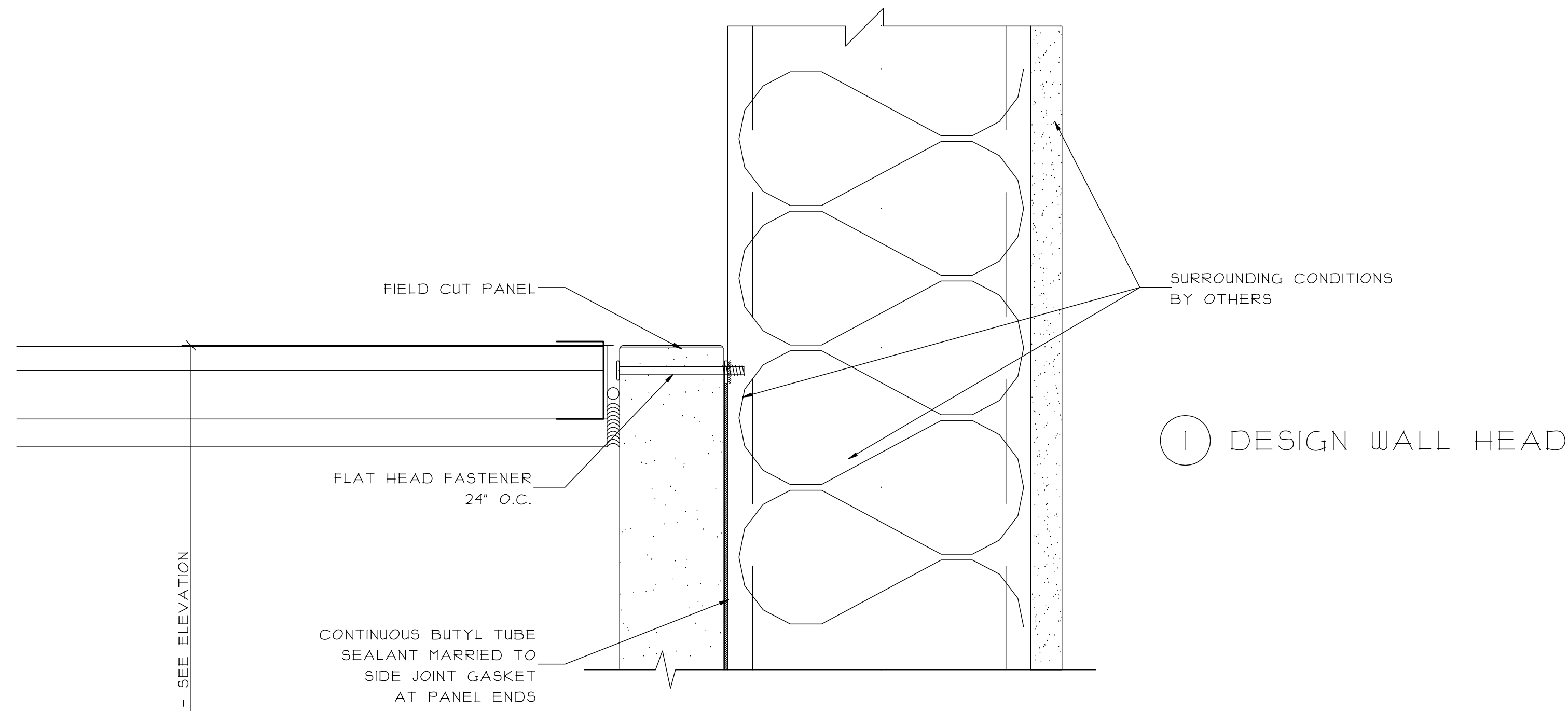
LOCATION: SAMPLE SAMPLE SAMPLE

SCALE:
6" = 1'-0"

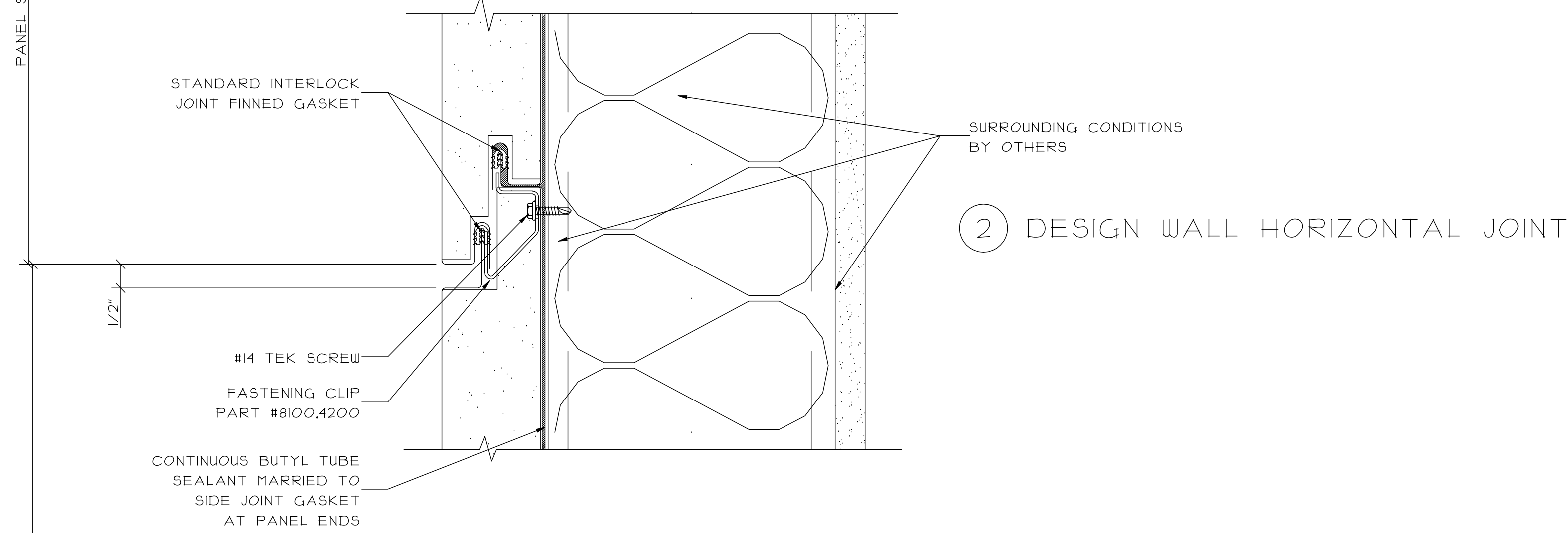
DATE:
SAMPLE

DRAWN:
SAMPLE

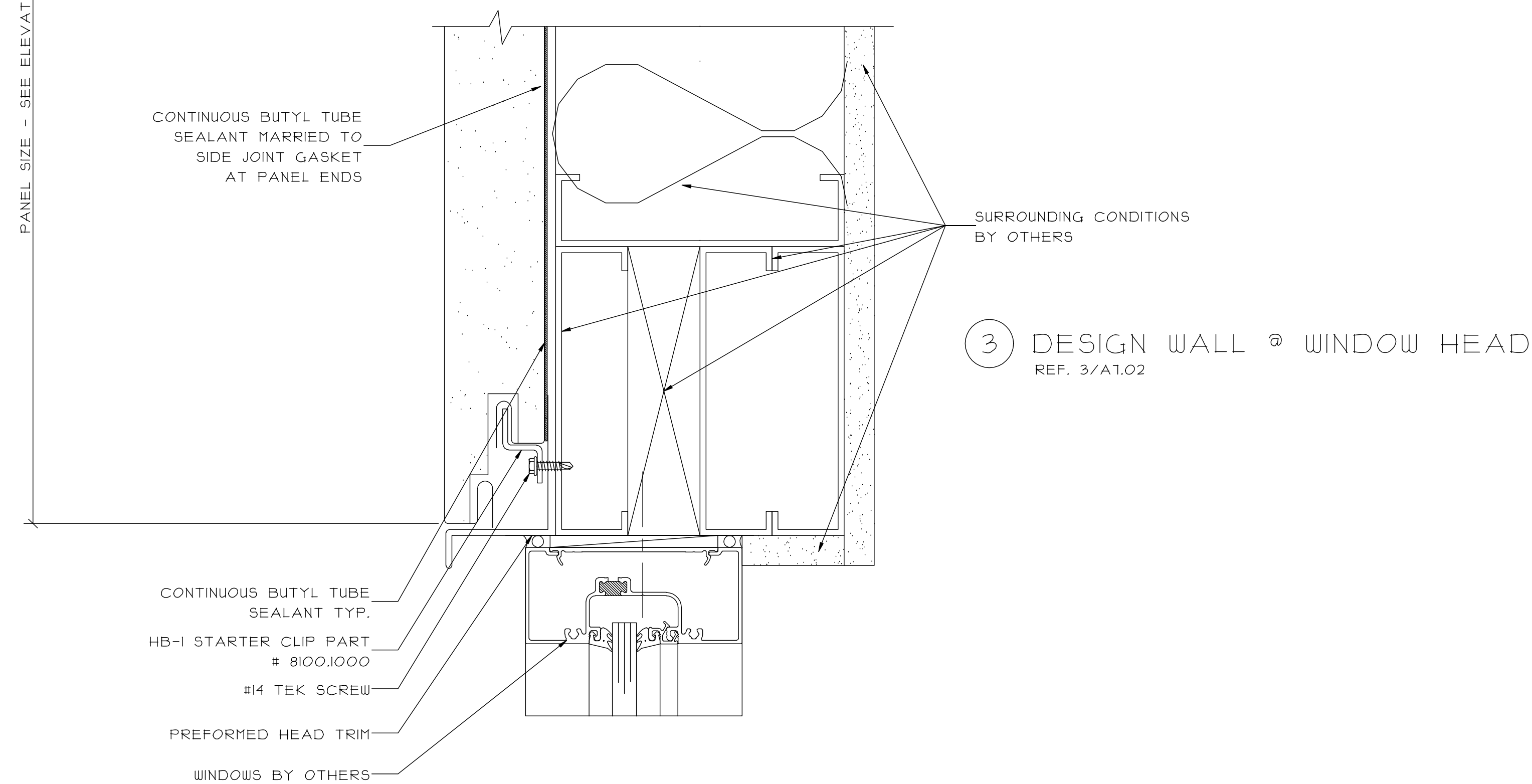
PAGE:
17 of 26



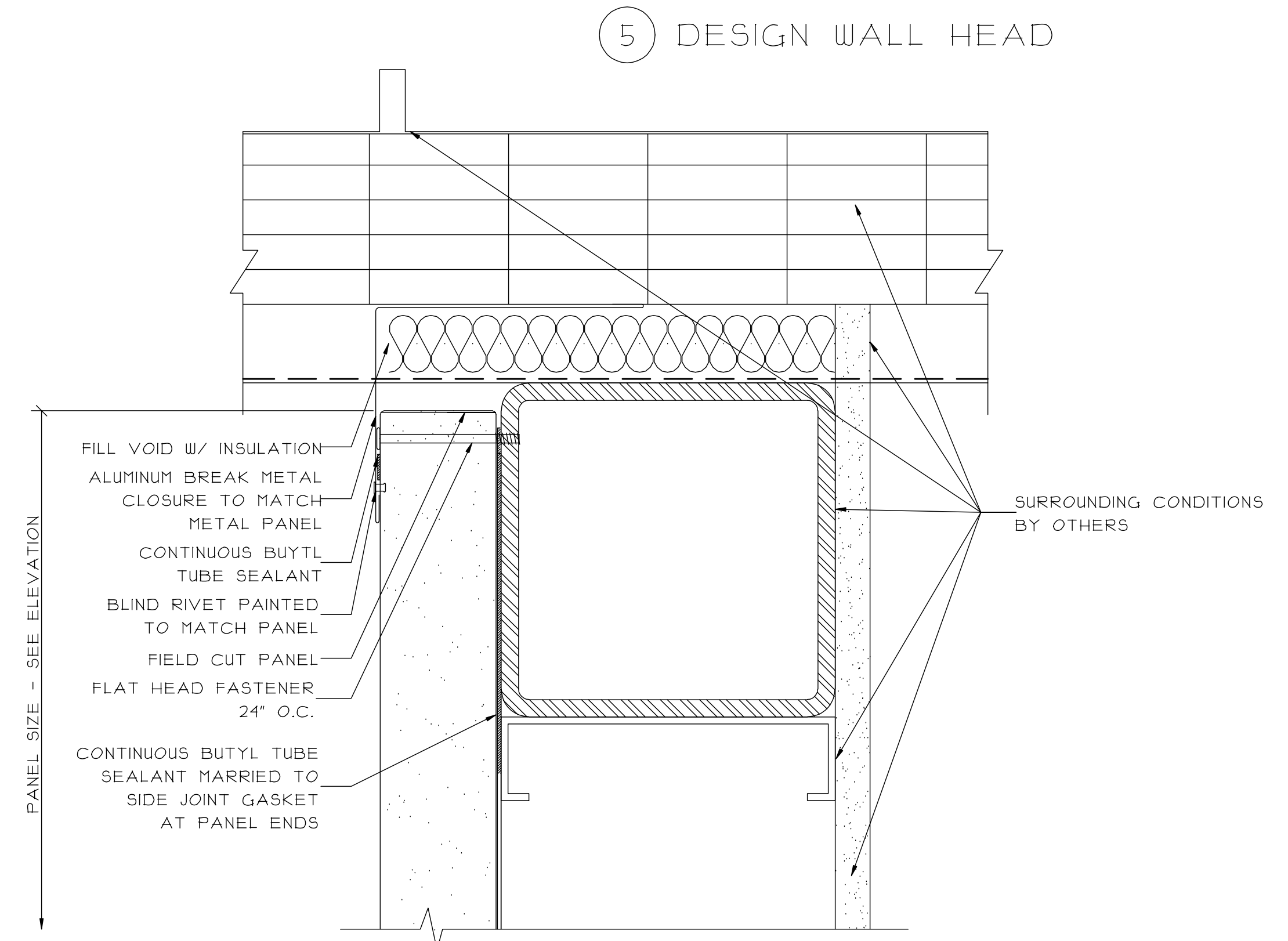
1 DESIGN WALL HEAD



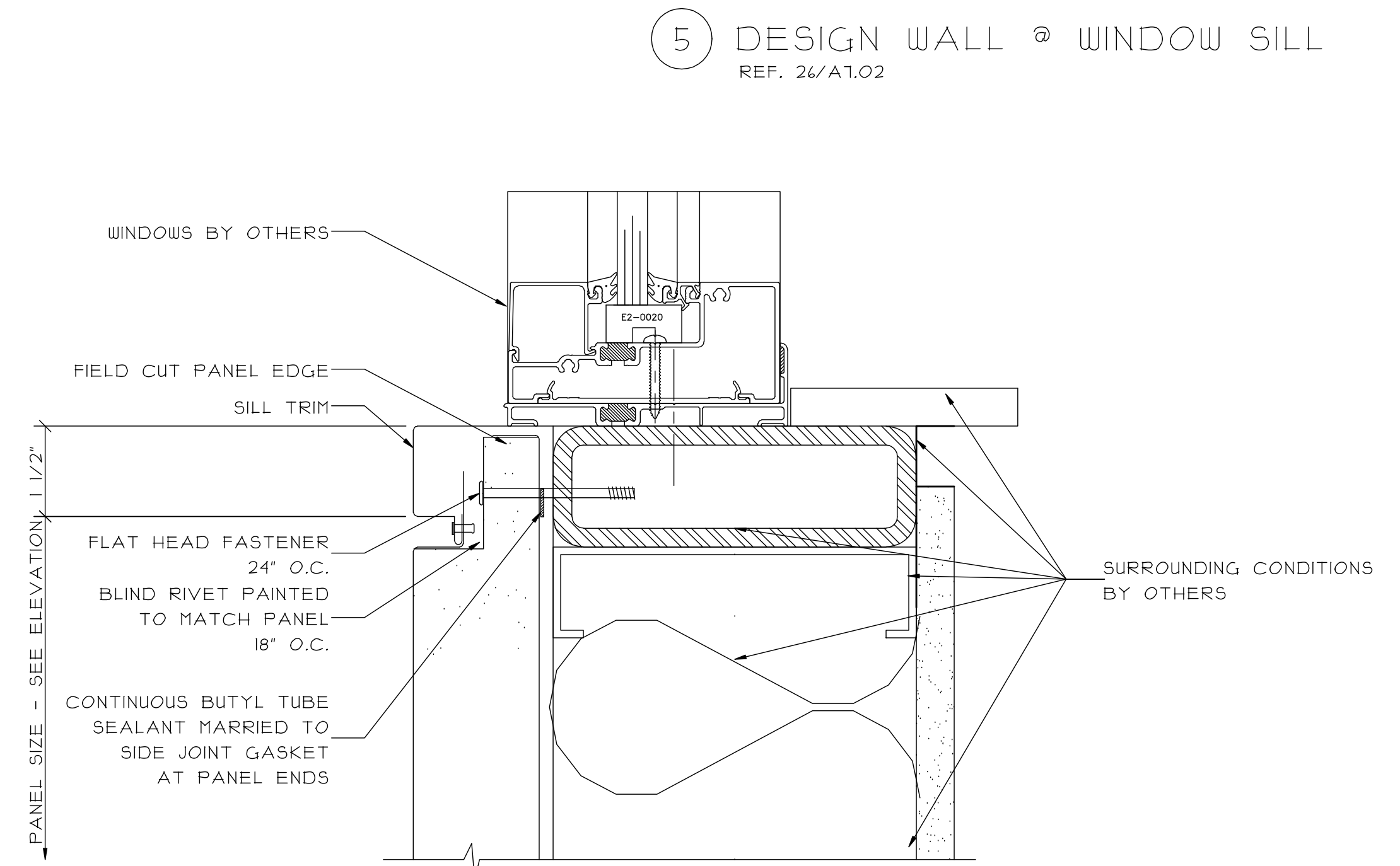
2 DESIGN WALL HORIZONTAL JOINT



3 DESIGN WALL @ WINDOW HEAD
REF. 3/A1.02



5 DESIGN WALL HEAD



5 DESIGN WALL @ WINDOW SILL
REF. 2/A1.02

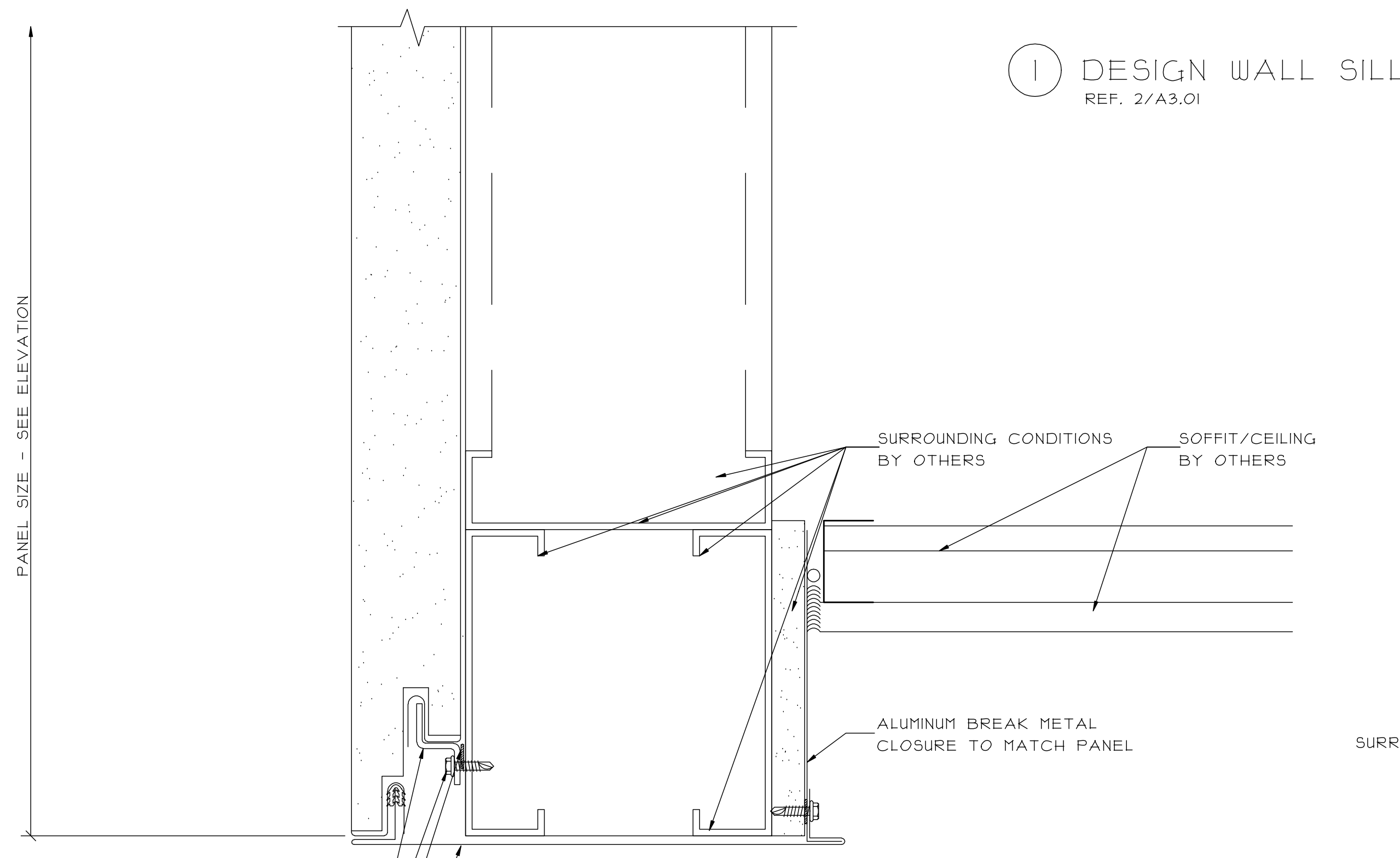
| | |
|------------|-------|
| REVISIONS: | DATE: |
| | |
| | |
| | |
| | |

| | | | |
|---------------------|--------|--------|--------|
| GLAZING CONTRACTOR: | SAMPLE | SAMPLE | SAMPLE |
| | SAMPLE | SAMPLE | SAMPLE |
| | SAMPLE | SAMPLE | SAMPLE |
| | SAMPLE | SAMPLE | SAMPLE |
| | SAMPLE | SAMPLE | SAMPLE |

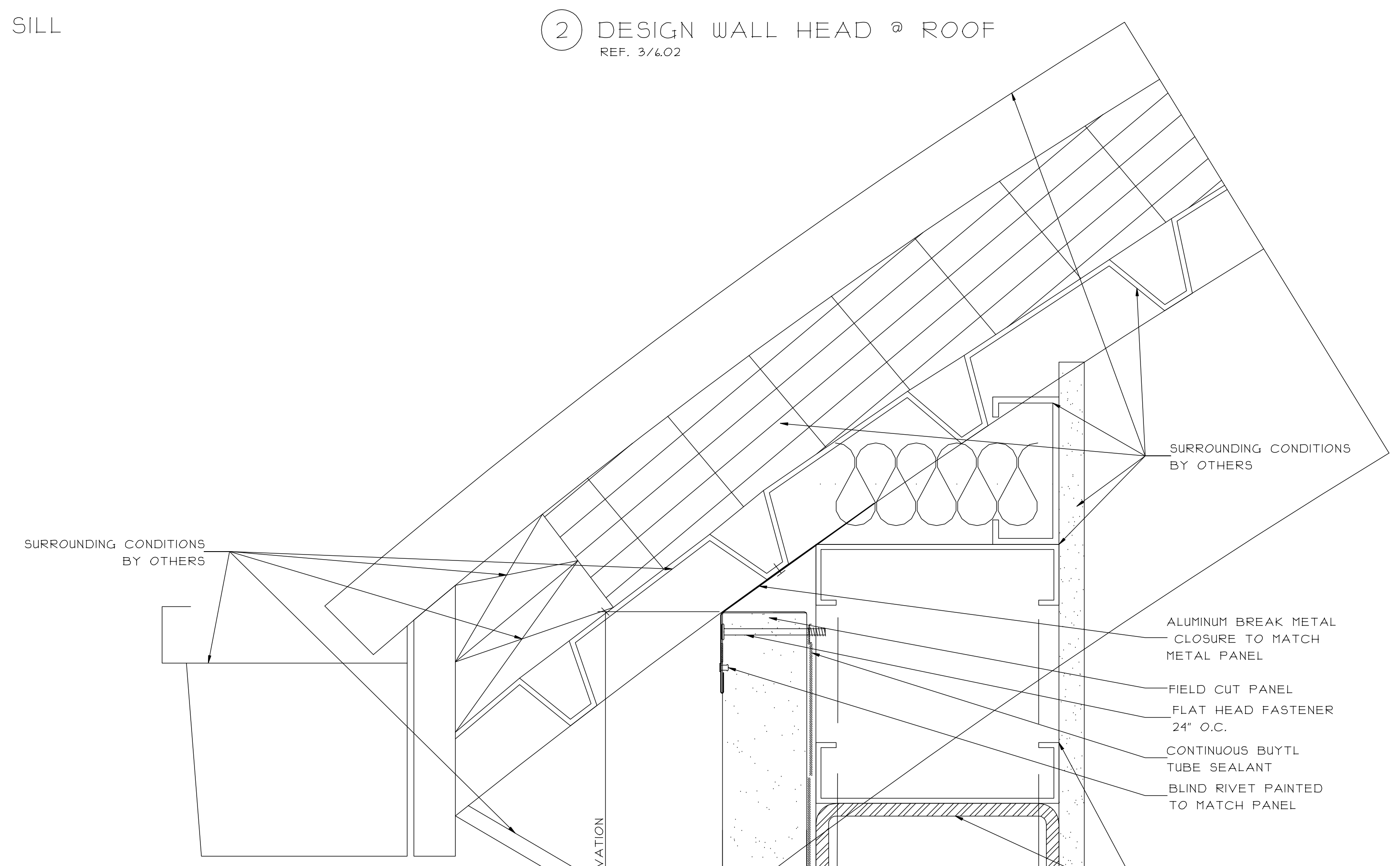
| | | | |
|------------|--------|--------|--------|
| ARCHITECT: | SAMPLE | SAMPLE | SAMPLE |
| | SAMPLE | SAMPLE | SAMPLE |
| | SAMPLE | SAMPLE | SAMPLE |
| | SAMPLE | SAMPLE | SAMPLE |
| | SAMPLE | SAMPLE | SAMPLE |

| | | | |
|-----------|--------|--------|--------|
| PROJECT: | SAMPLE | SAMPLE | SAMPLE |
| LOCATION: | SAMPLE | SAMPLE | SAMPLE |

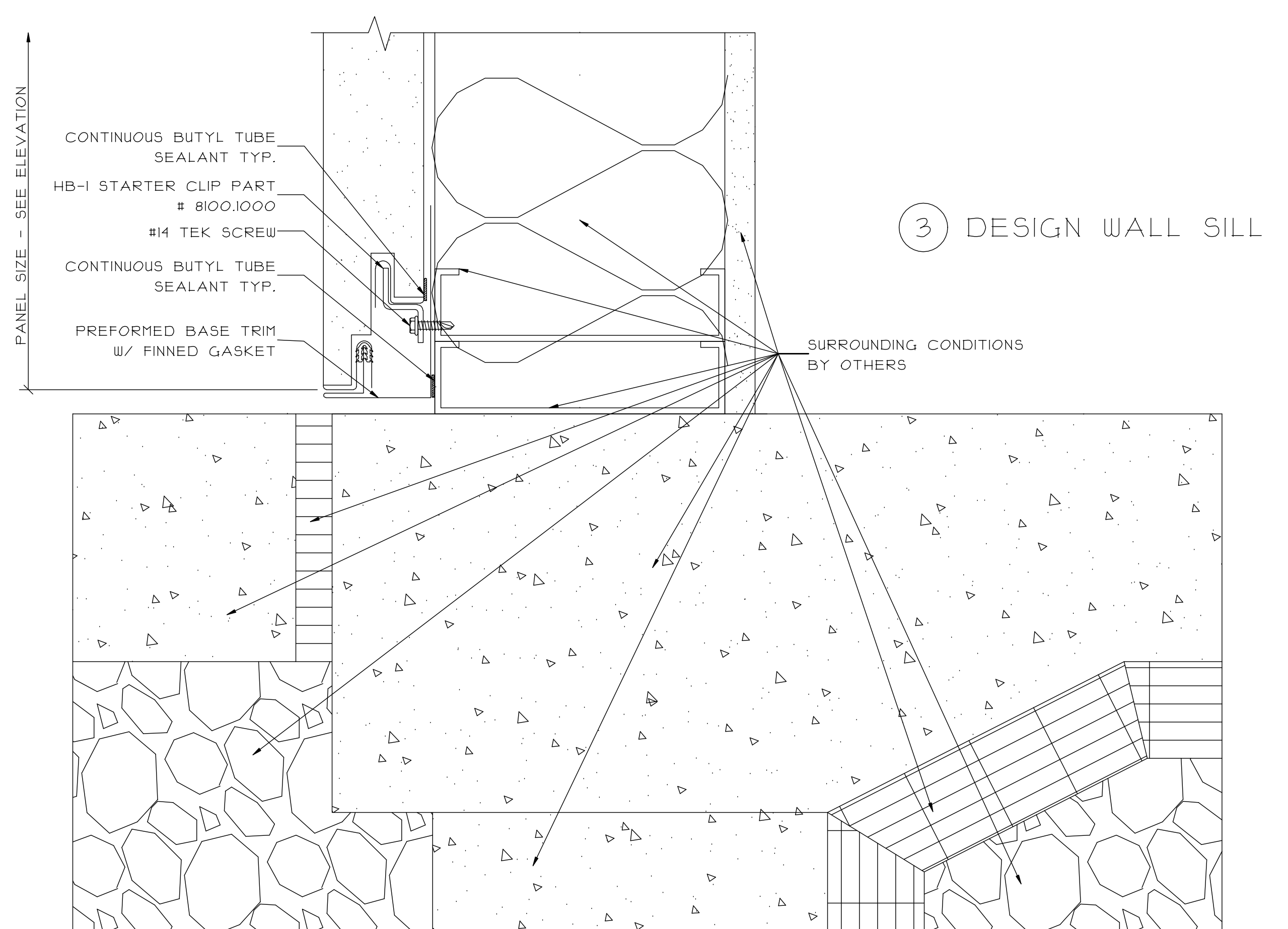
| | |
|--------|------------|
| SCALE: | 6" = 1'-0" |
| DATE: | SAMPLE |
| DRAWN: | SAMPLE |
| PAGE: | 18 of 26 |



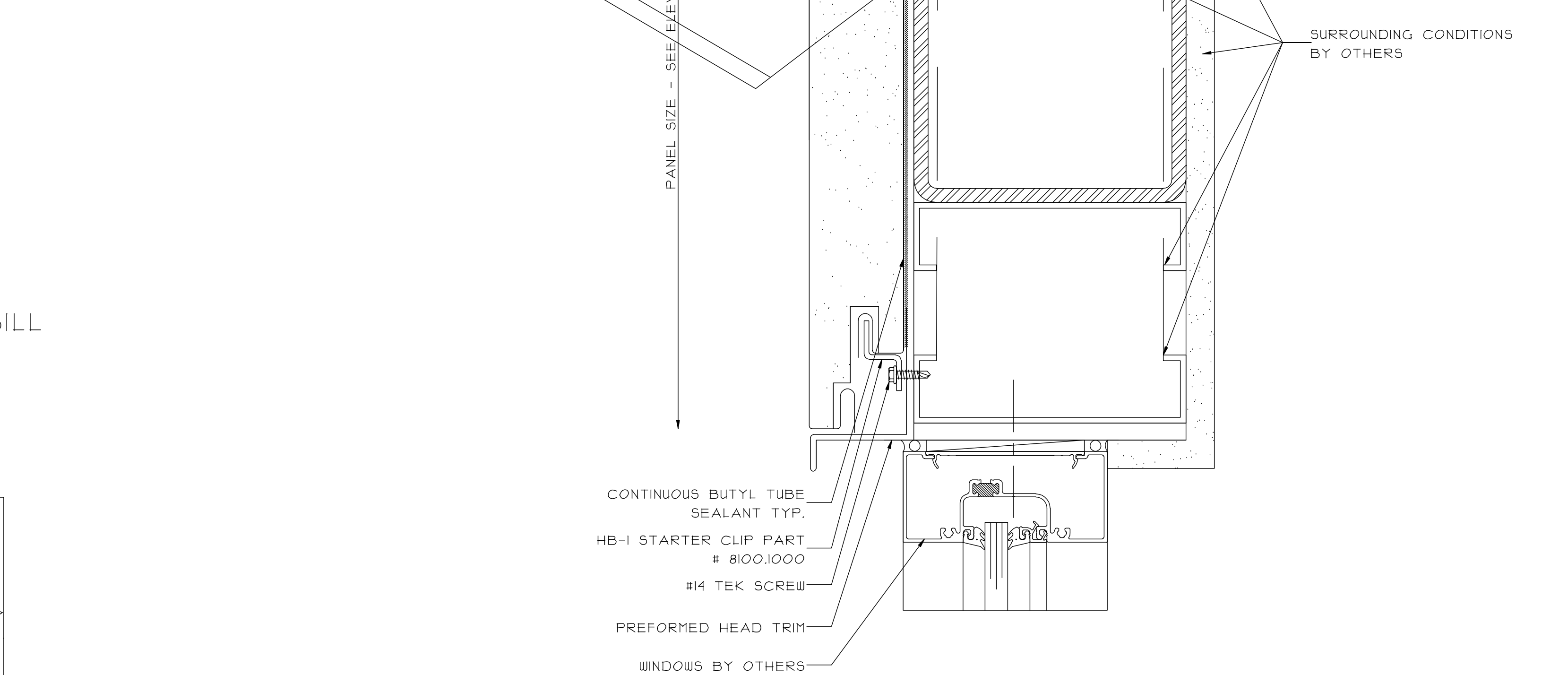
① DESIGN WALL SILL
REF. 2/A3.01



② DESIGN WALL HEAD @ ROOF
REF. 3/4.02



③ DESIGN WALL SILL



| | |
|------------|-------|
| REVISIONS: | DATE: |
| | |
| | |
| | |
| | |

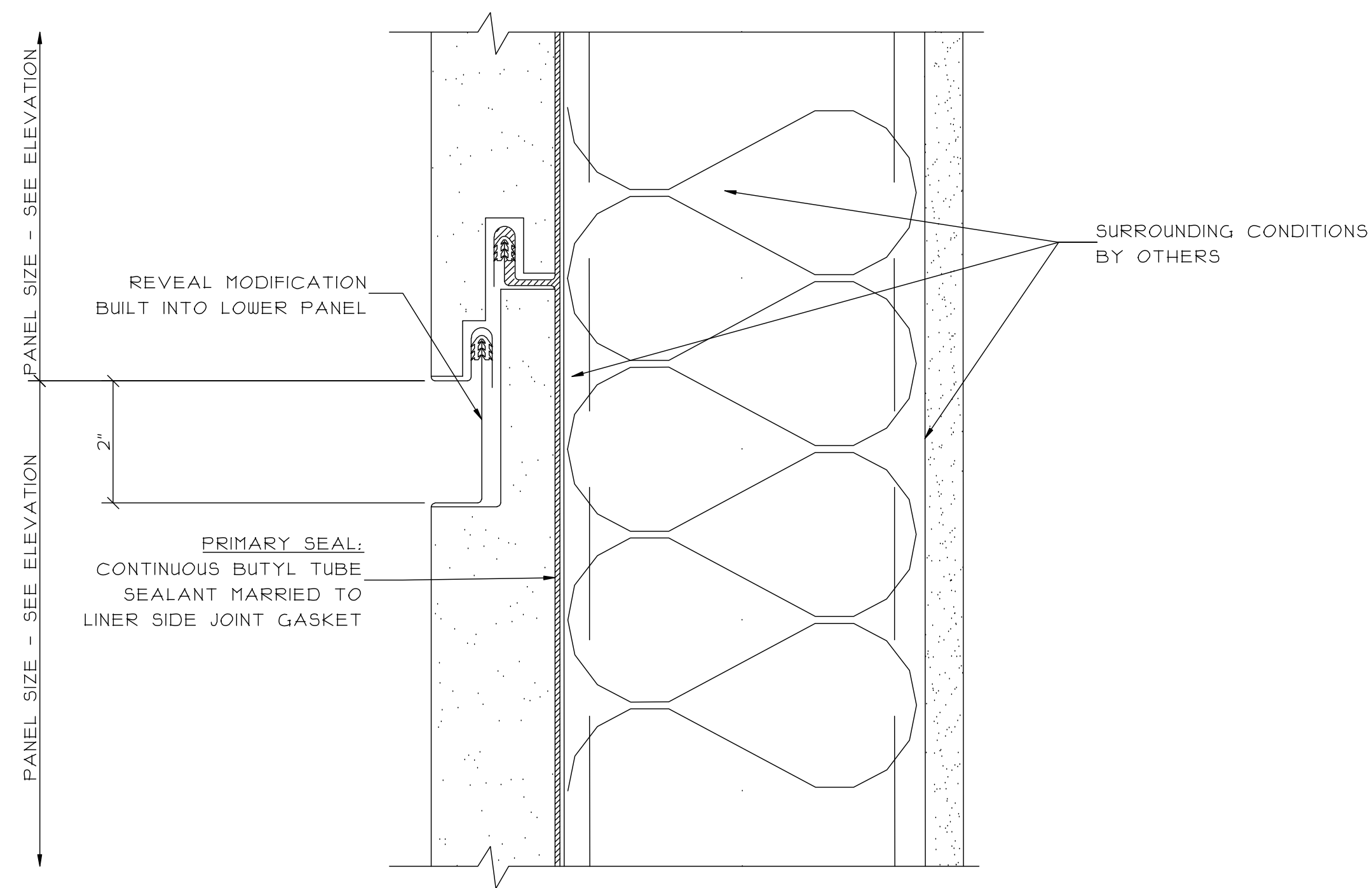
| | | | |
|---------------------|--------|--------|--------|
| GLAZING CONTRACTOR: | SAMPLE | SAMPLE | SAMPLE |
| | SAMPLE | SAMPLE | SAMPLE |
| | SAMPLE | SAMPLE | SAMPLE |
| | SAMPLE | SAMPLE | SAMPLE |
| | SAMPLE | SAMPLE | SAMPLE |

| | | | |
|------------|--------|--------|--------|
| ARCHITECT: | SAMPLE | SAMPLE | SAMPLE |
| | SAMPLE | SAMPLE | SAMPLE |
| | SAMPLE | SAMPLE | SAMPLE |
| | SAMPLE | SAMPLE | SAMPLE |
| | SAMPLE | SAMPLE | SAMPLE |

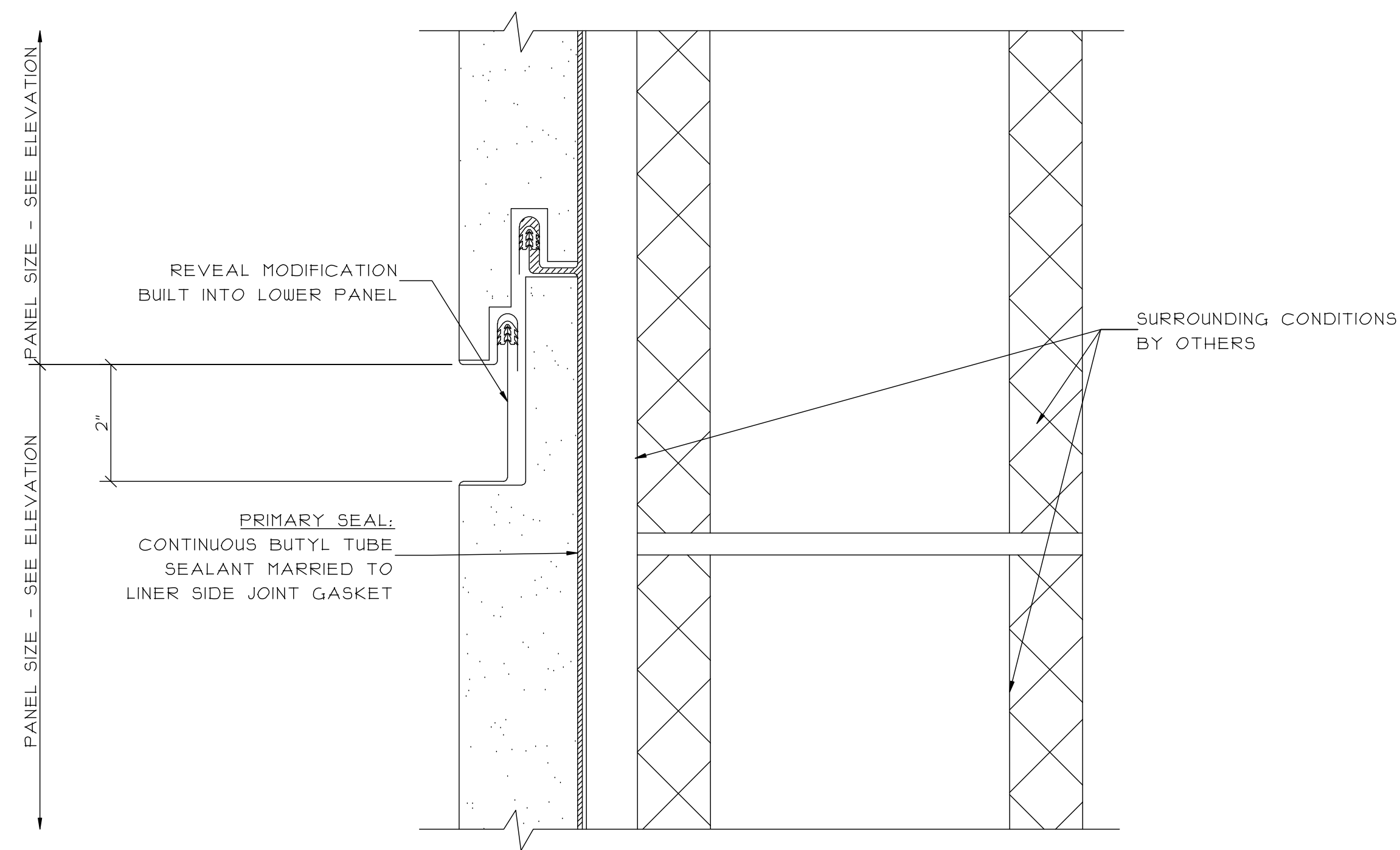
| | | | |
|-----------|--------|--------|--------|
| PROJECT: | SAMPLE | SAMPLE | SAMPLE |
| LOCATION: | SAMPLE | SAMPLE | SAMPLE |

| | |
|--------|------------|
| SCALE: | 6" = 1'-0" |
| DATE: | SAMPLE |
| DRAWN: | SAMPLE |
| PAGE: | 19 of 26 |

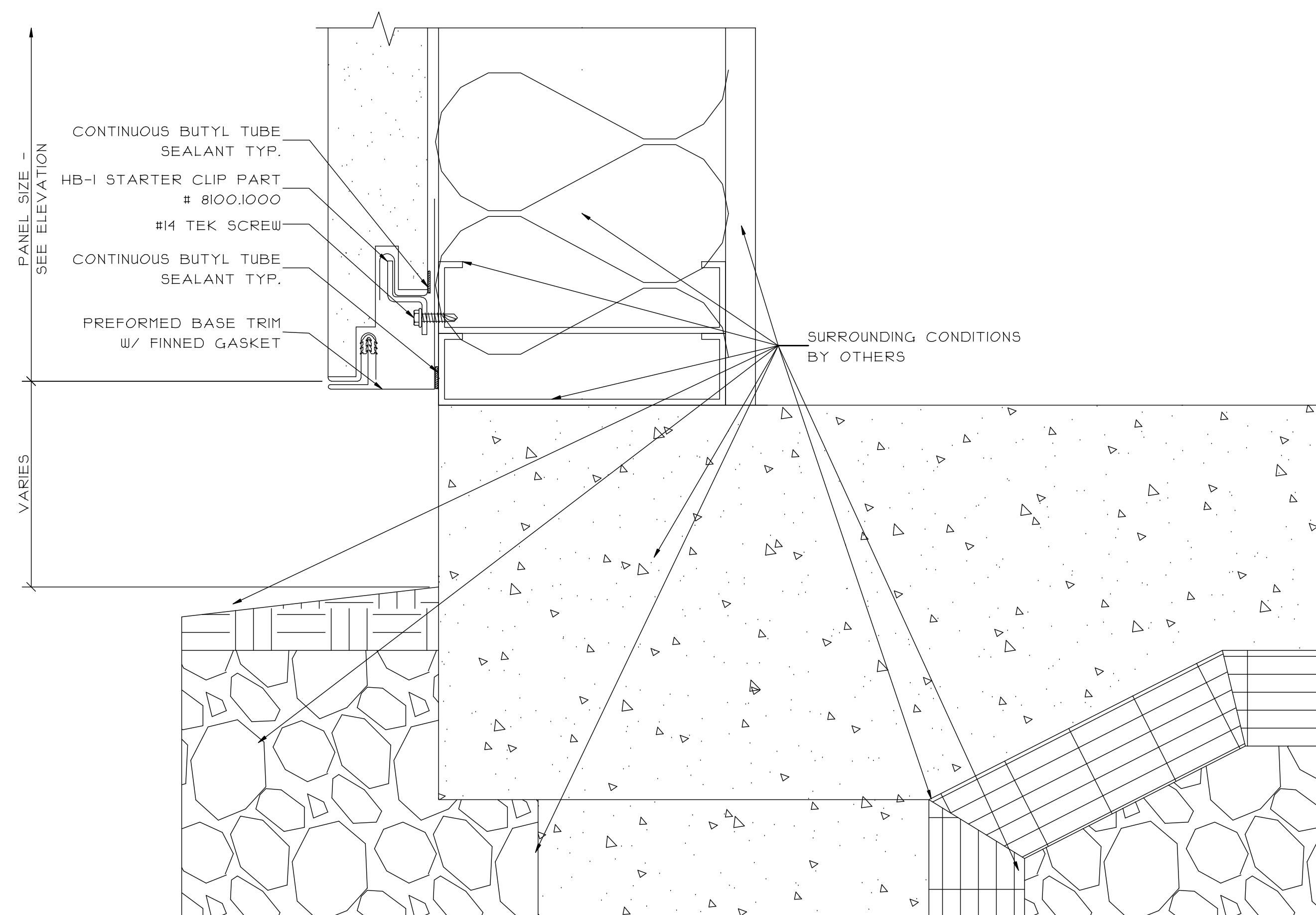
① DESIGN WALL @ 2" HORIZONTAL JOINT



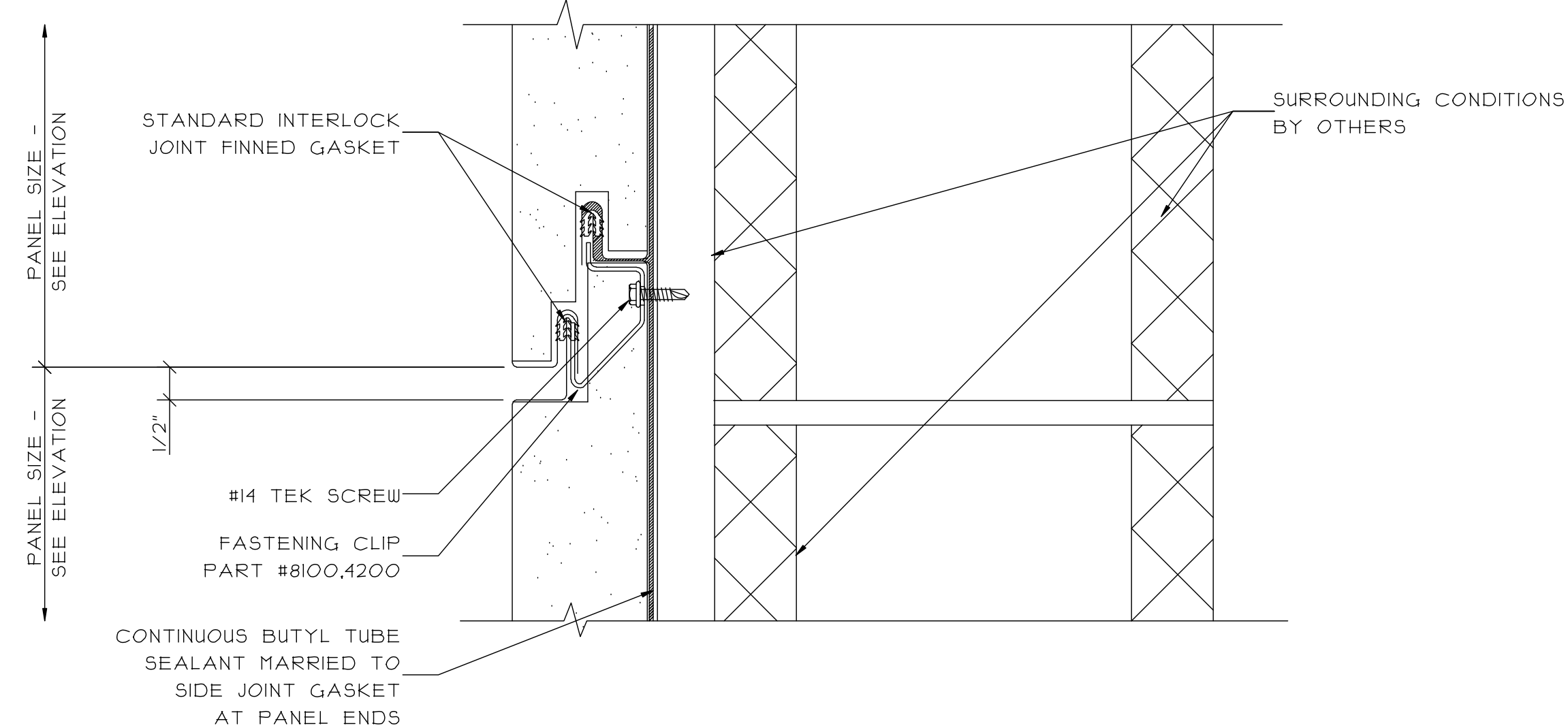
③ DESIGN WALL @ 2" HORIZONTAL JOINT



② DESIGN WALL SILL
REF. 3/A3.01



④ DESIGN WALL STANDARD HORIZONTAL JOINT



| | |
|------------|-------|
| REVISIONS: | DATE: |
| | |
| | |
| | |
| | |

| | | | |
|---------------------|--------|--------|--------|
| GLAZING CONTRACTOR: | SAMPLE | SAMPLE | SAMPLE |
| | SAMPLE | SAMPLE | SAMPLE |
| | SAMPLE | SAMPLE | SAMPLE |
| | SAMPLE | SAMPLE | SAMPLE |
| | SAMPLE | SAMPLE | SAMPLE |

| | | | |
|------------|--------|--------|--------|
| ARCHITECT: | SAMPLE | SAMPLE | SAMPLE |
| | SAMPLE | SAMPLE | SAMPLE |
| | SAMPLE | SAMPLE | SAMPLE |
| | SAMPLE | SAMPLE | SAMPLE |
| | SAMPLE | SAMPLE | SAMPLE |

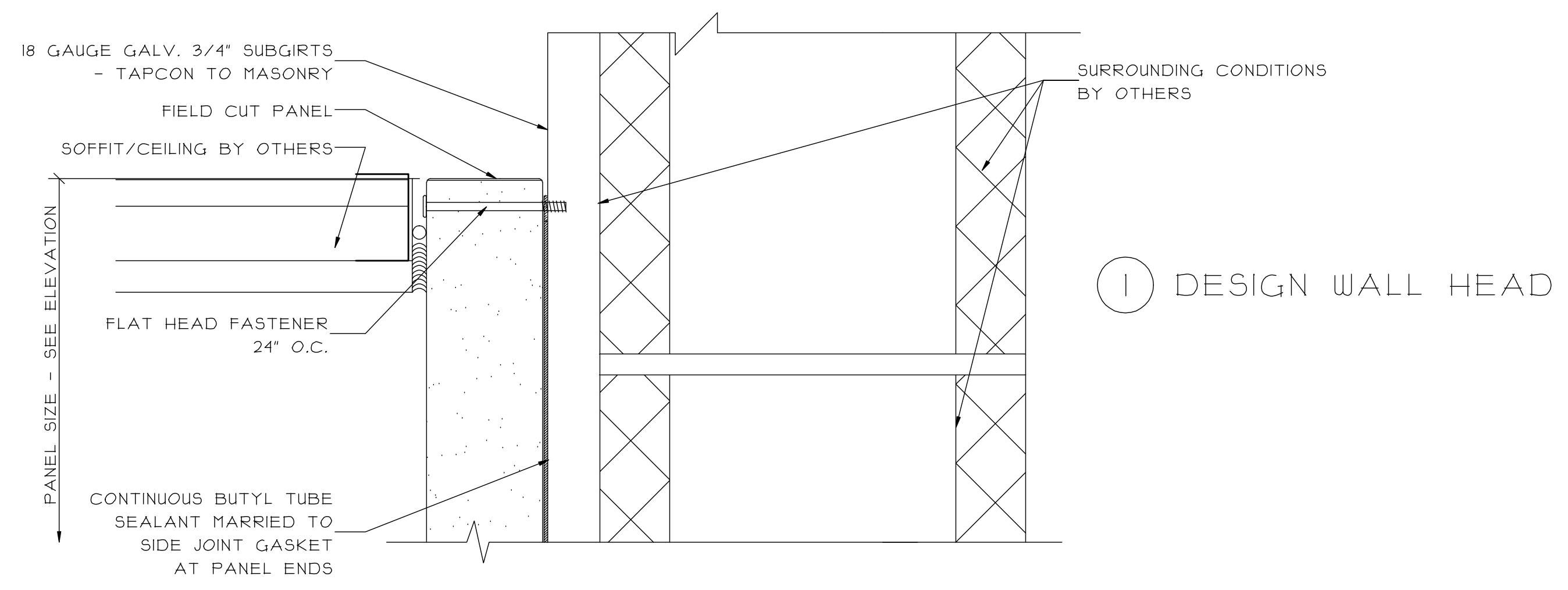
| | | | |
|-----------|--------|--------|--------|
| PROJECT: | SAMPLE | SAMPLE | SAMPLE |
| LOCATION: | SAMPLE | SAMPLE | SAMPLE |

SCALE:
6" = 1'-0"

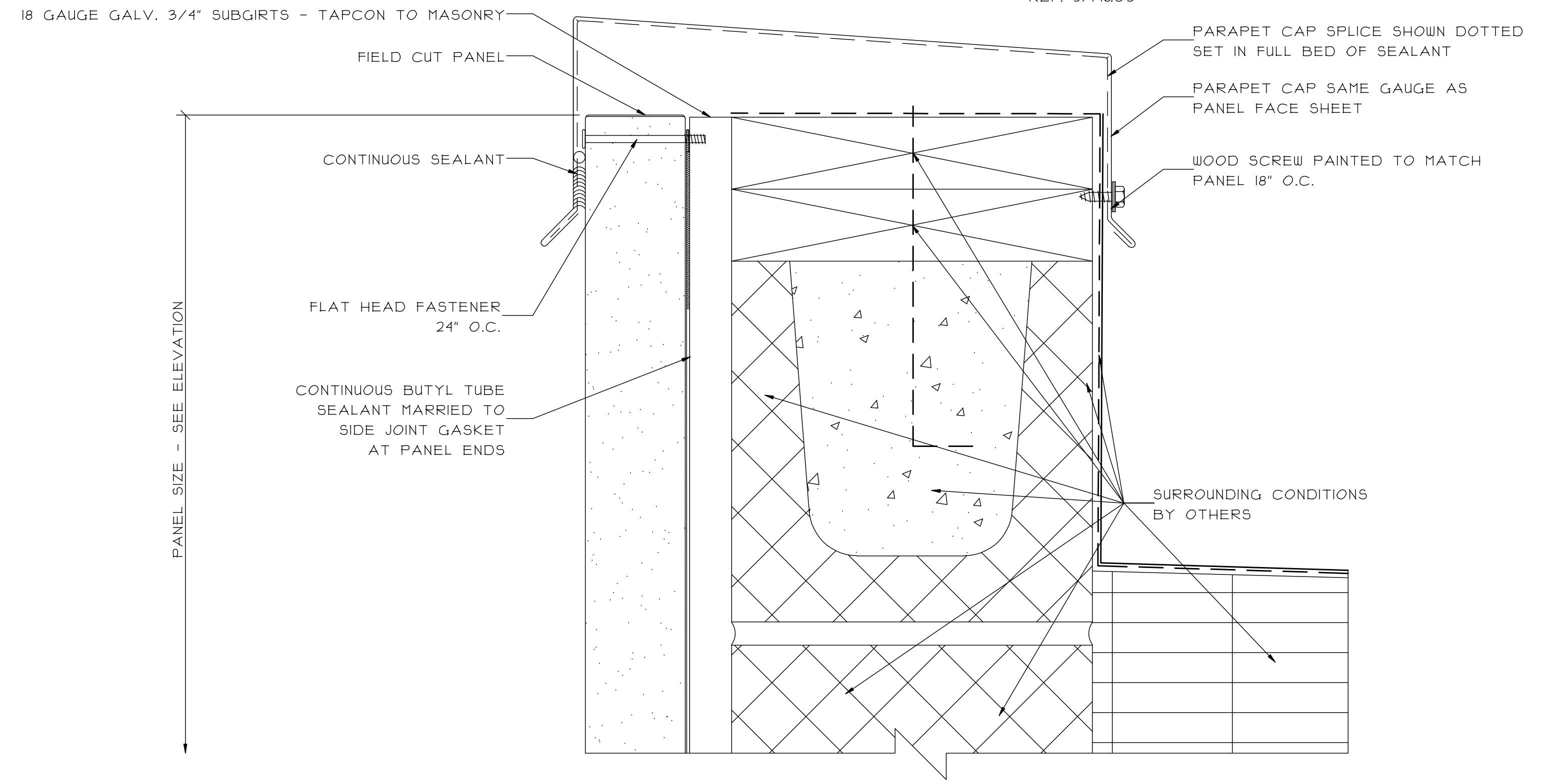
DATE:
SAMPLE

DRAWN:
SAMPLE

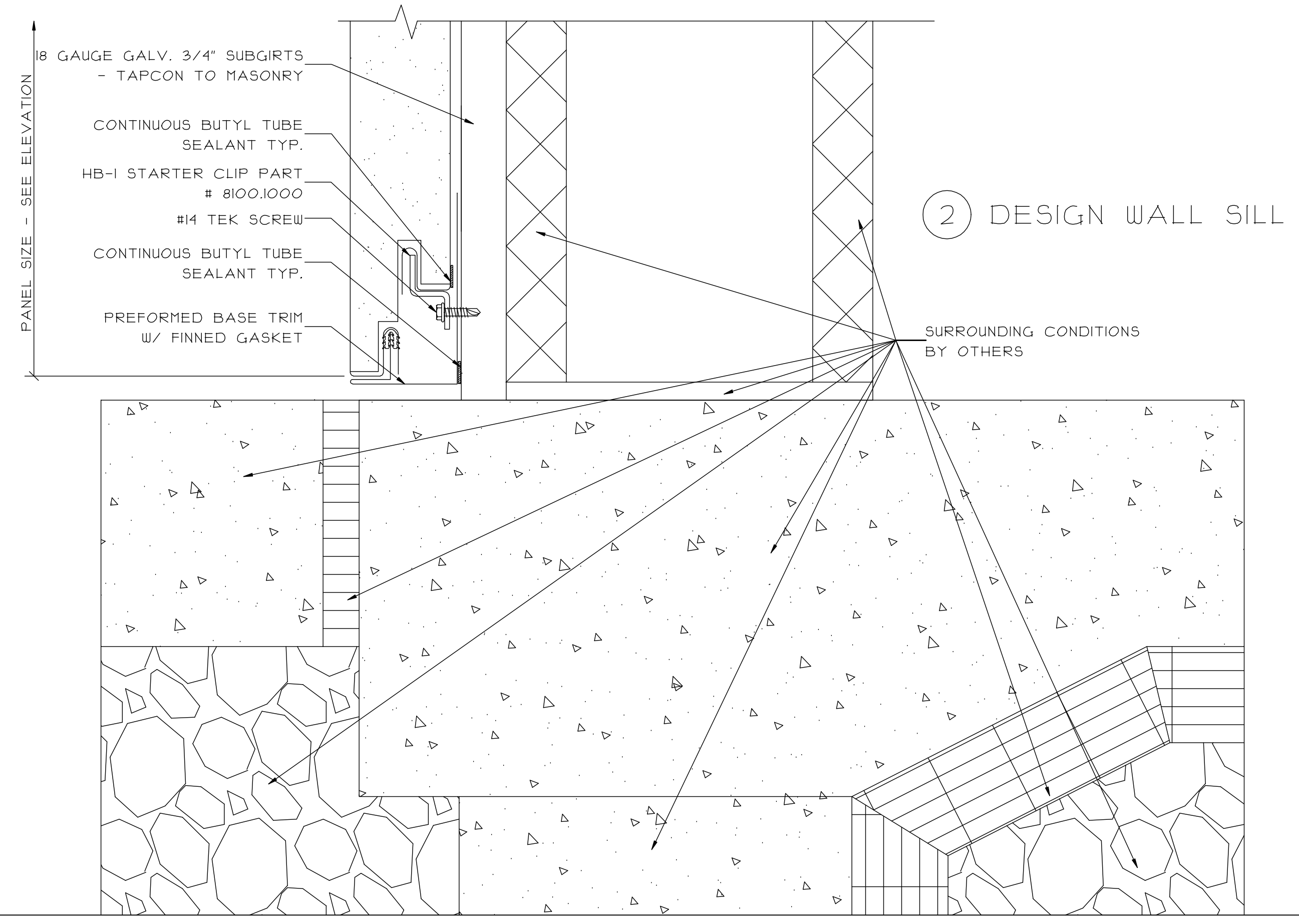
PAGE:
20 of 26



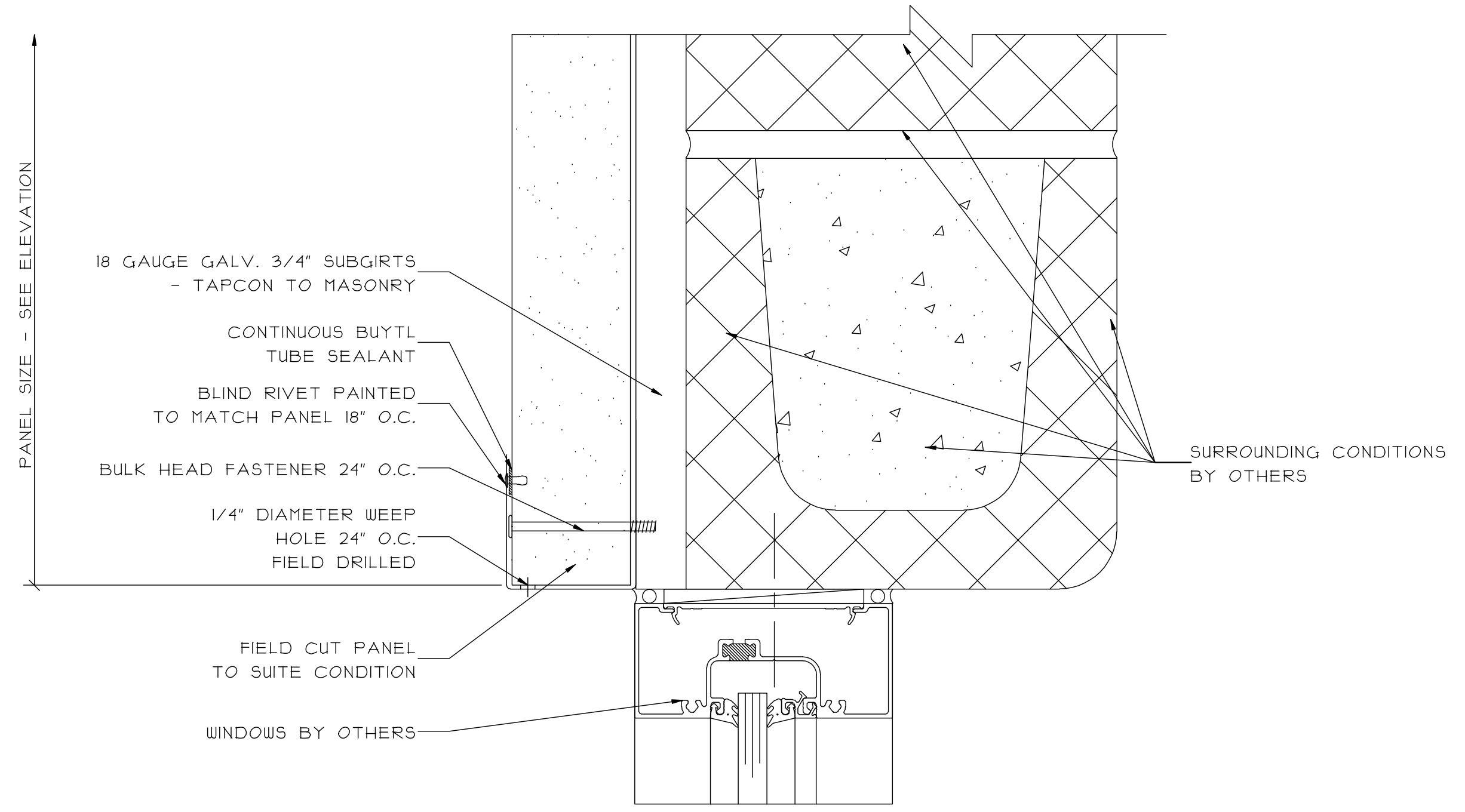
① DESIGN WALL HEAD



③ DESIGN WALL HEAD @ ROOF
REF. 5/A&03



② DESIGN WALL SILL



④ DESIGN WALL @ WINDOW HEAD
REF. 2/A&03

| | |
|------------|--|
| DATE: | |
| REVISIONS: | |

| | | | |
|---------------------|--------|--------|--------|
| GLAZING CONTRACTOR: | SAMPLE | SAMPLE | SAMPLE |
| | SAMPLE | SAMPLE | SAMPLE |
| | SAMPLE | SAMPLE | SAMPLE |
| | SAMPLE | SAMPLE | SAMPLE |
| | SAMPLE | SAMPLE | SAMPLE |

| | | | |
|------------|--------|--------|--------|
| ARCHITECT: | SAMPLE | SAMPLE | SAMPLE |
| | SAMPLE | SAMPLE | SAMPLE |
| | SAMPLE | SAMPLE | SAMPLE |
| | SAMPLE | SAMPLE | SAMPLE |
| | SAMPLE | SAMPLE | SAMPLE |

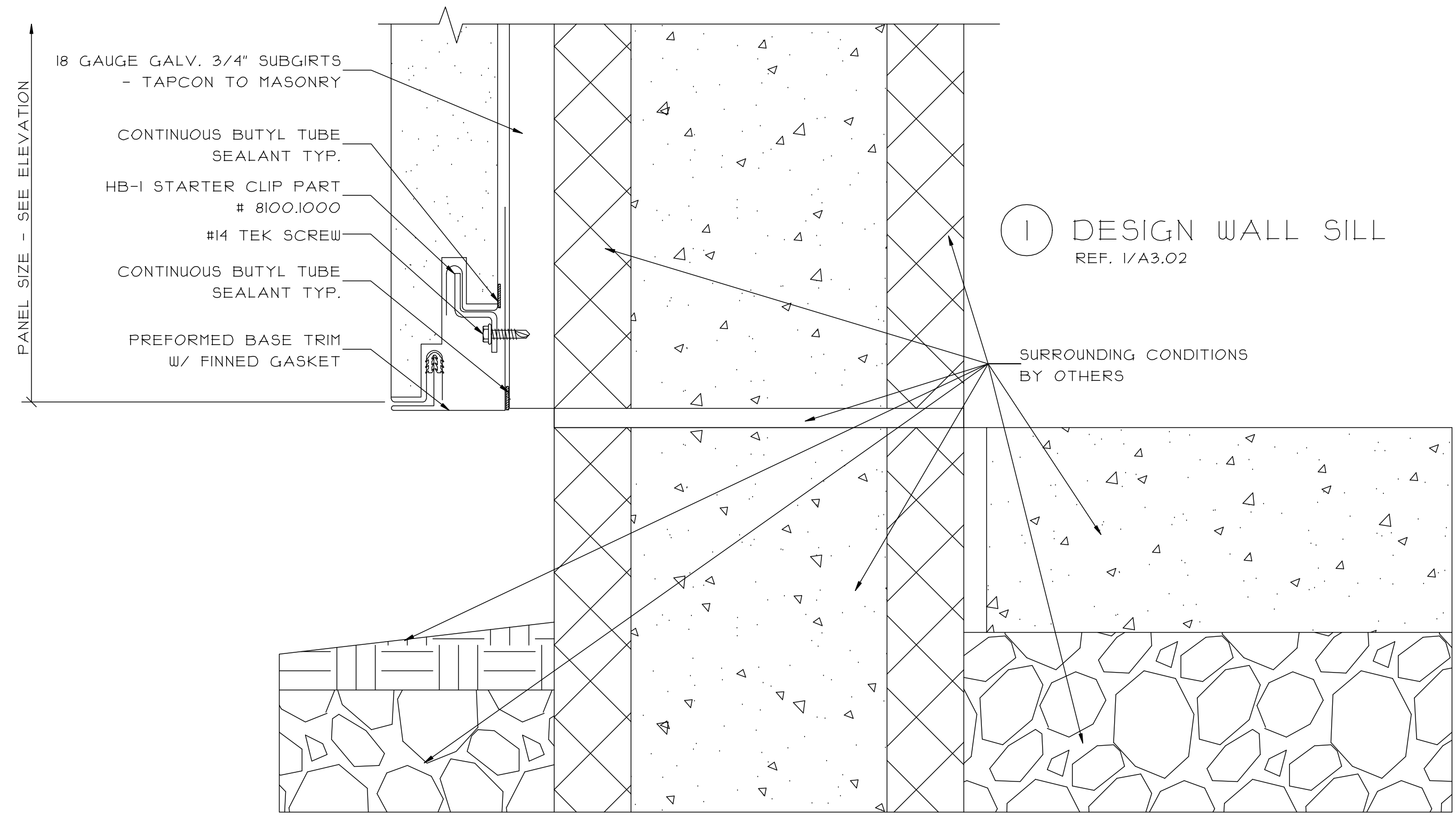
| | | | |
|-----------|--------|--------|--------|
| PROJECT: | SAMPLE | SAMPLE | SAMPLE |
| LOCATION: | SAMPLE | SAMPLE | SAMPLE |

SCALE:
6" = 1'-0"

DATE:
SAMPLE

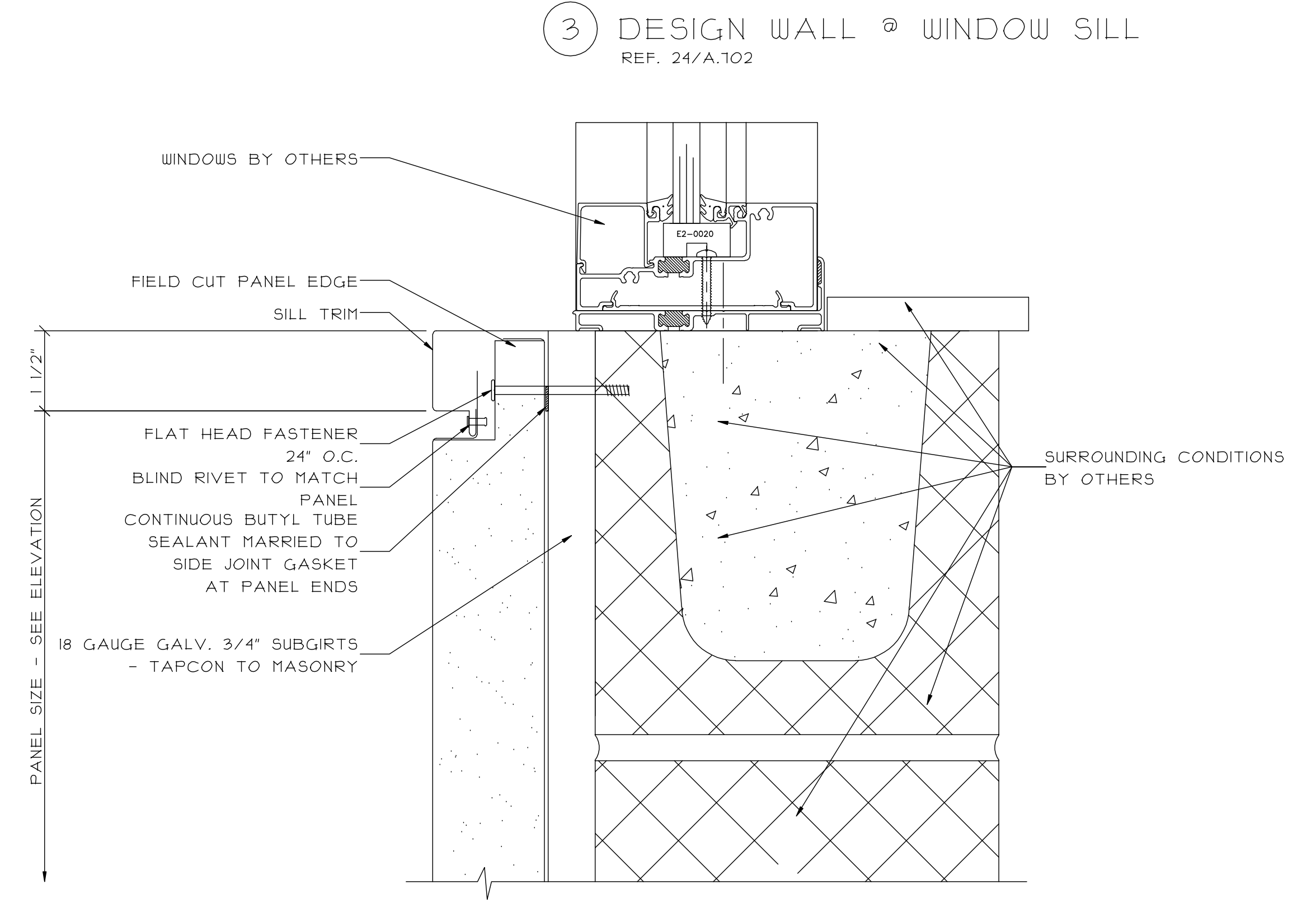
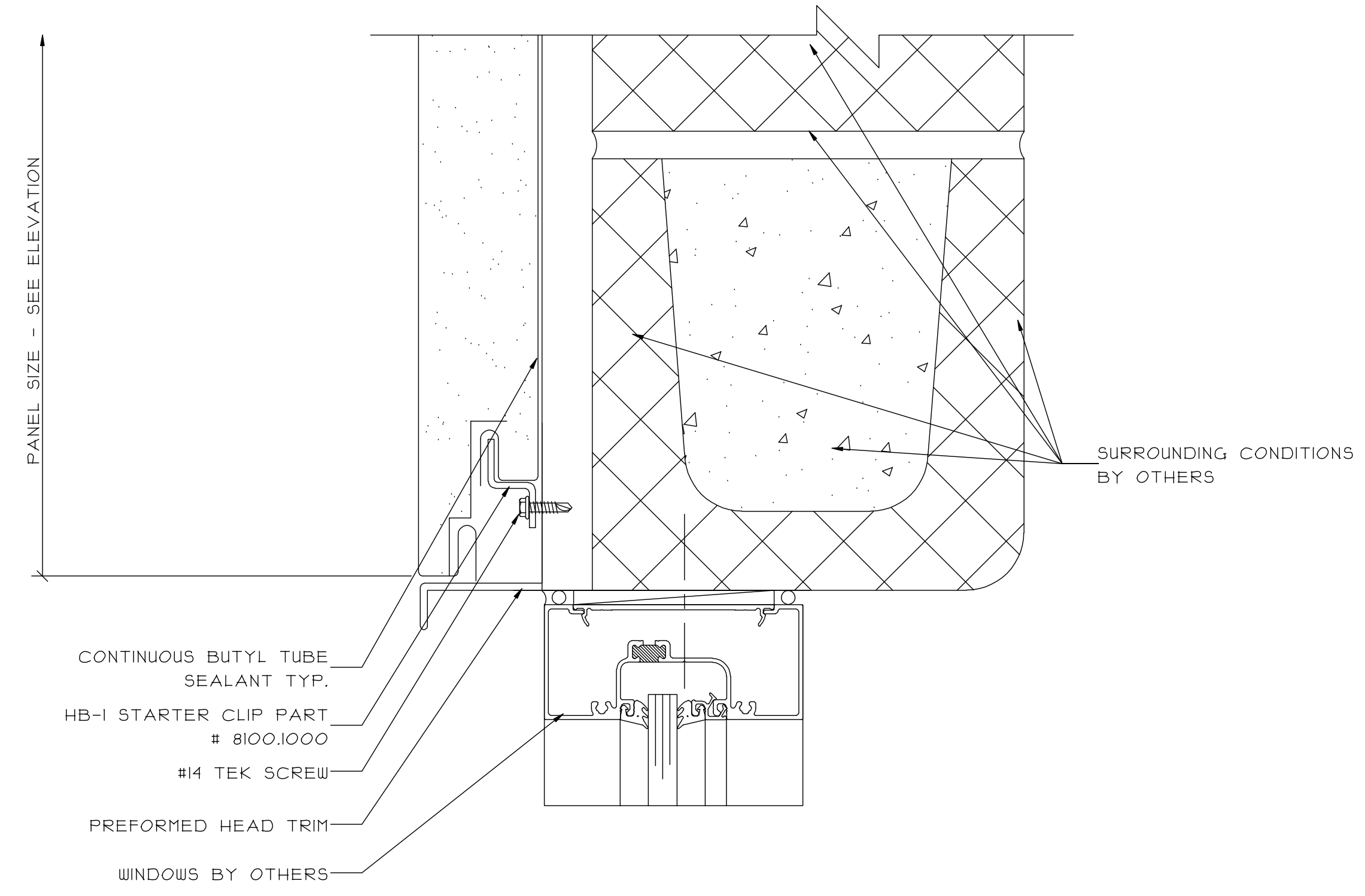
DRAWN:
SAMPLE

PAGE:
21 of 26



1 DESIGN WALL SILL
REF. 1/A3.02

2 DESIGN WALL @ WINDOW HEAD



| REVISIONS: | DATE: |
|------------|-------|
| | |
| | |
| | |
| | |

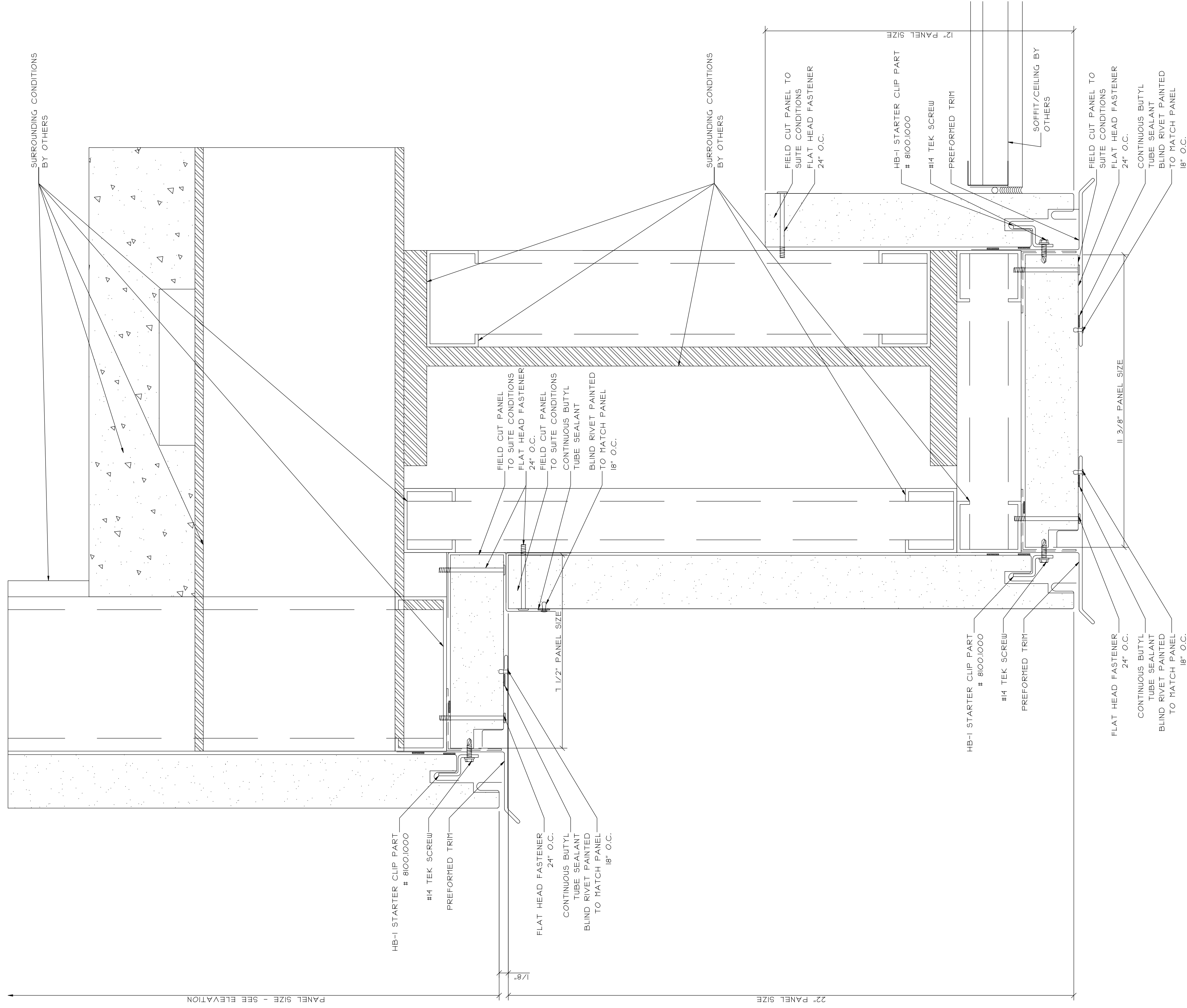
| GLAZING CONTRACTOR: |
|----------------------|
| SAMPLE SAMPLE SAMPLE |
| SAMPLE SAMPLE SAMPLE |
| SAMPLE SAMPLE SAMPLE |
| SAMPLE SAMPLE SAMPLE |
| SAMPLE SAMPLE SAMPLE |

| ARCHITECT: |
|----------------------|
| SAMPLE SAMPLE SAMPLE |
| SAMPLE SAMPLE SAMPLE |
| SAMPLE SAMPLE SAMPLE |
| SAMPLE SAMPLE SAMPLE |
| SAMPLE SAMPLE SAMPLE |

| PROJECT: | LOCATION: |
|----------------------|----------------------|
| SAMPLE SAMPLE SAMPLE | SAMPLE SAMPLE SAMPLE |
| SAMPLE SAMPLE SAMPLE | SAMPLE SAMPLE SAMPLE |

| |
|----------------------|
| SCALE: 6" = 1'-0" |
| DATE: SAMPLE |
| DRAWN: SAMPLE |
| PAGE: 22 of 26 |

① DESIGN WALL OUTSIDE CORNERS
INSIDE CORNER @ BRIDGE
REF. 27/A3/02



SCALE:
6" = 1'-0"

DATE:
SAMPLE

DRAWN:
SAMPLE

PAGE:
23 of 26

PROJECT: SAMPLE SAMPLE SAMPLE

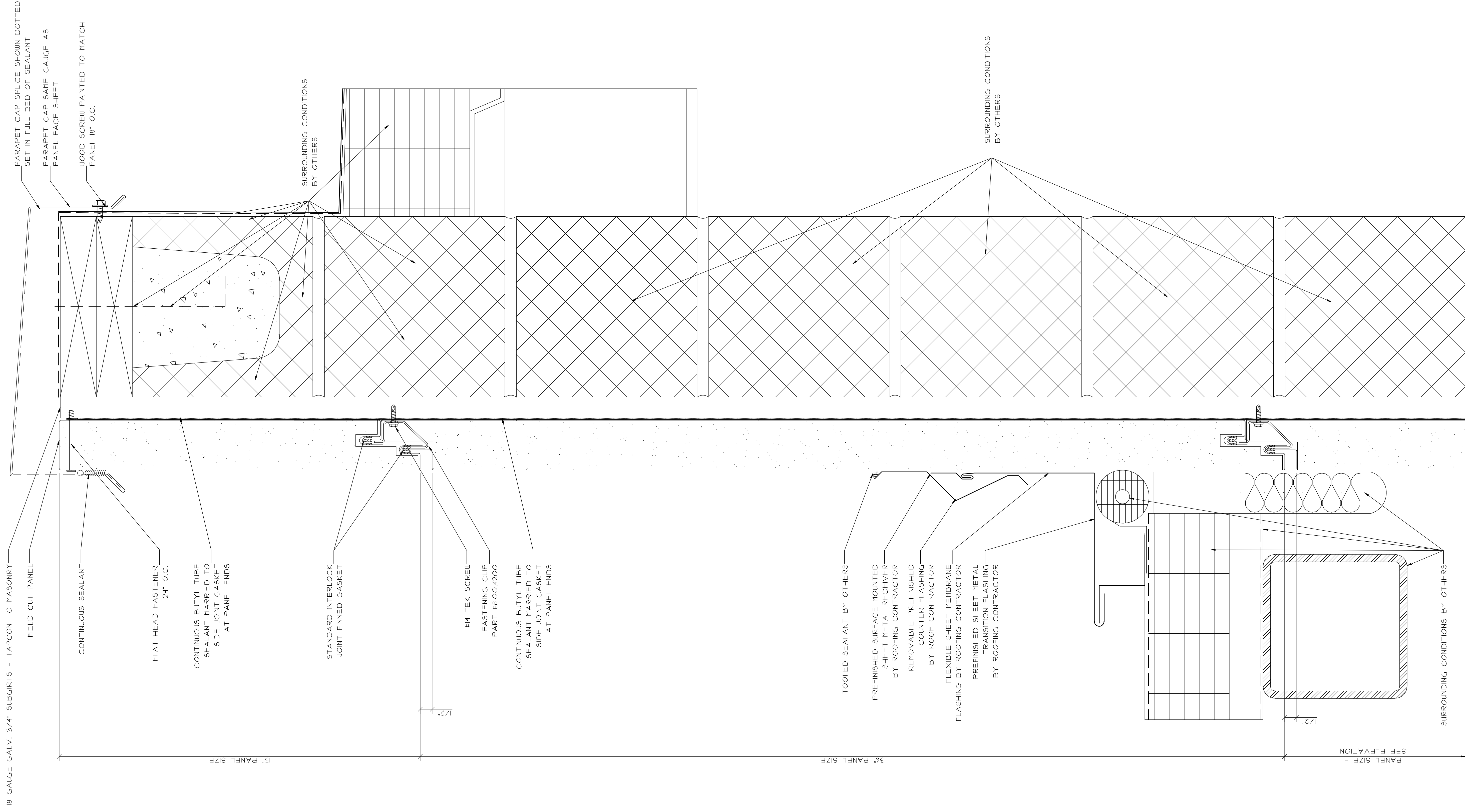
LOCATION: SAMPLE SAMPLE SAMPLE

ARCHITECT:
SAMPLE SAMPLE SAMPLE
SAMPLE SAMPLE SAMPLE
SAMPLE SAMPLE SAMPLE
SAMPLE SAMPLE SAMPLE

GLAZING CONTRACTOR:
SAMPLE SAMPLE SAMPLE
SAMPLE SAMPLE SAMPLE
SAMPLE SAMPLE SAMPLE
SAMPLE SAMPLE SAMPLE

| REVISIONS: | DATE: |
|------------|-------|
| | |
| | |
| | |
| | |

1 DESIGN WALL @ PARAPET
 & BRIDGE ROOF
 REF. 8/16/03

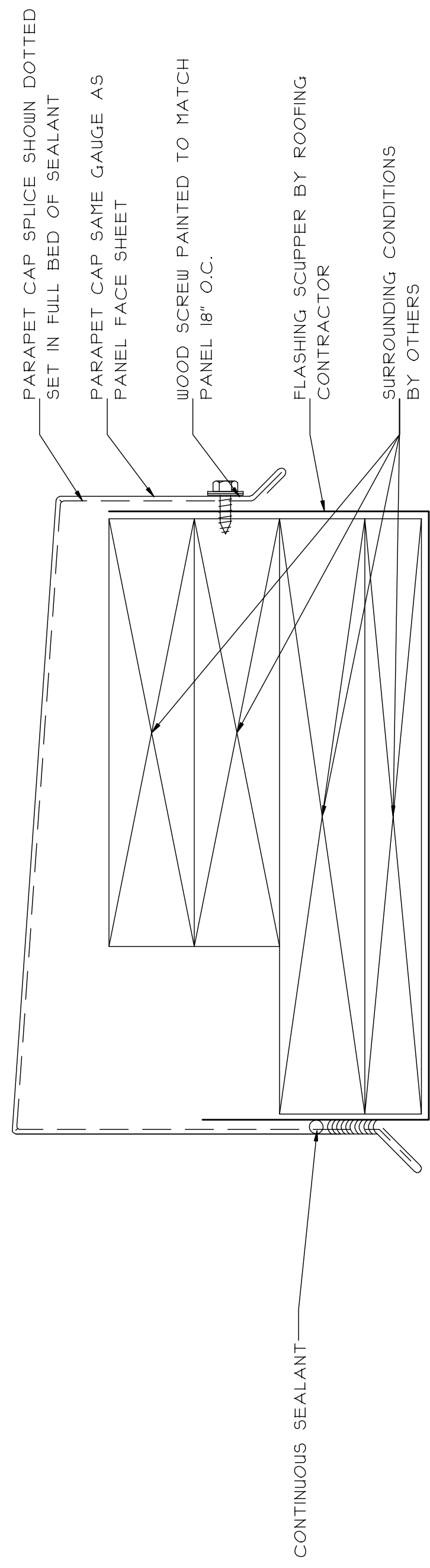


PROJECT: SAMPLE SAMPLE SAMPLE
 LOCATION: SAMPLE SAMPLE SAMPLE

ARCHITECT: SAMPLE SAMPLE SAMPLE
 SAMPLE SAMPLE SAMPLE
 SAMPLE SAMPLE SAMPLE
 SAMPLE SAMPLE SAMPLE
 SAMPLE SAMPLE SAMPLE

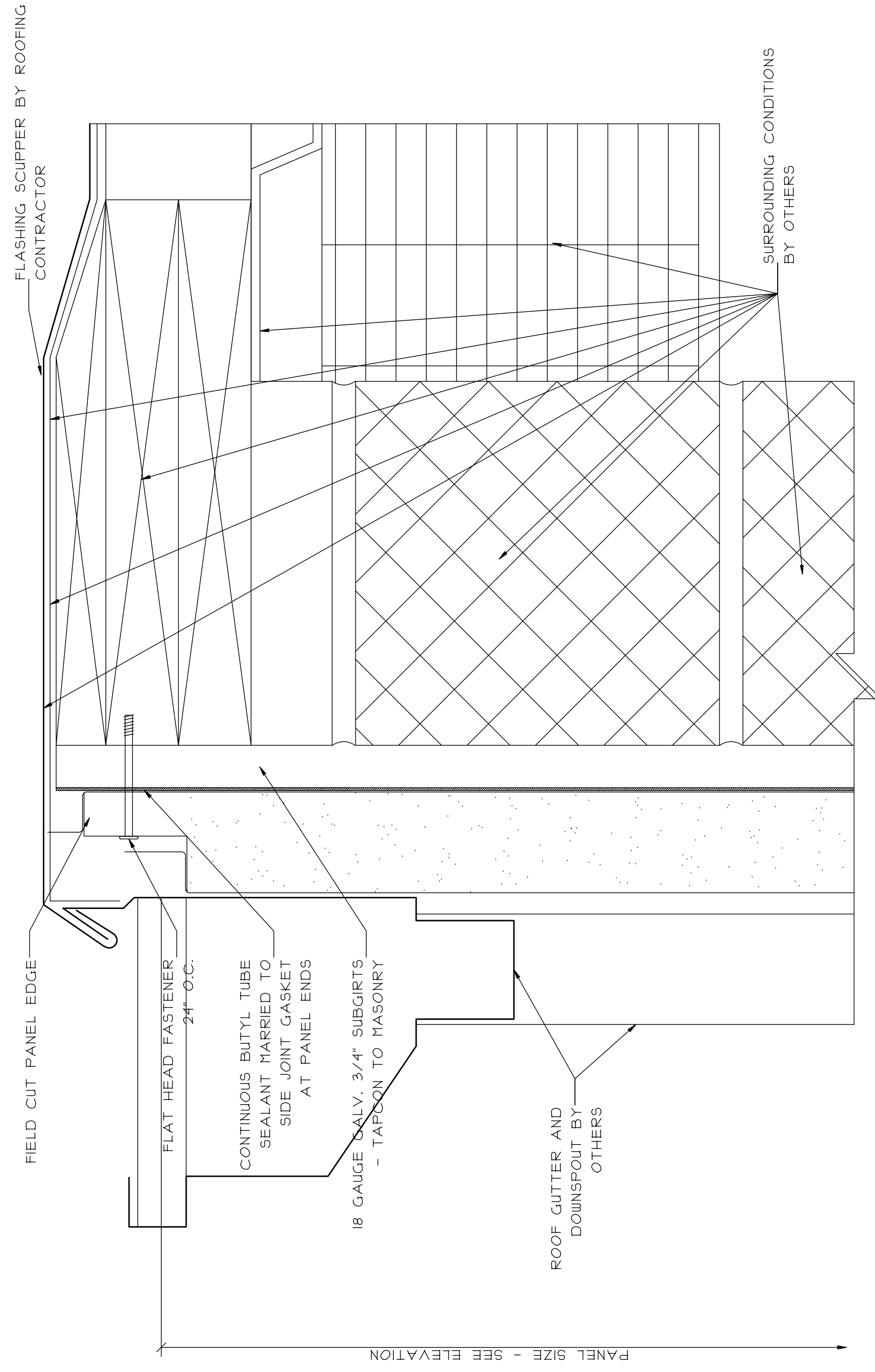
GLAZING CONTRACTOR: SAMPLE SAMPLE SAMPLE
 SAMPLE SAMPLE SAMPLE
 SAMPLE SAMPLE SAMPLE
 SAMPLE SAMPLE SAMPLE
 SAMPLE SAMPLE SAMPLE

| REVISIONS: | DATE: |
|------------|-------|
| | |
| | |
| | |
| | |



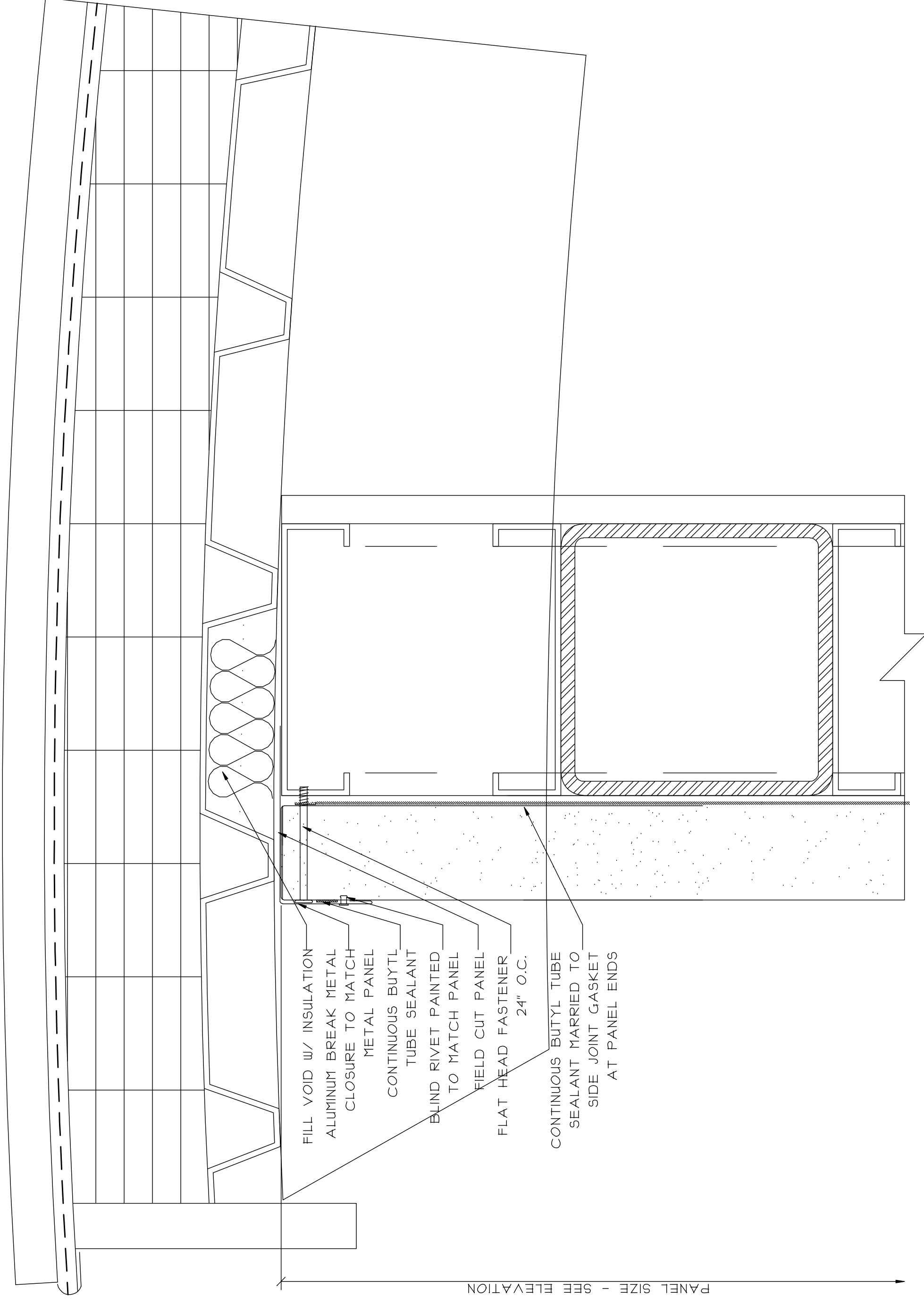
1 DESIGN WALL HEAD @ ROOF SCUPPER

REF. 8/4A03



2 DESIGN WALL HEAD @ BRIDGE ROOF

REF. 4/4A03



SCALE:
6" = 1'-0"
DATE:
SAMPLE
DRAWN:
SAMPLE
PAGE:
25 of 26

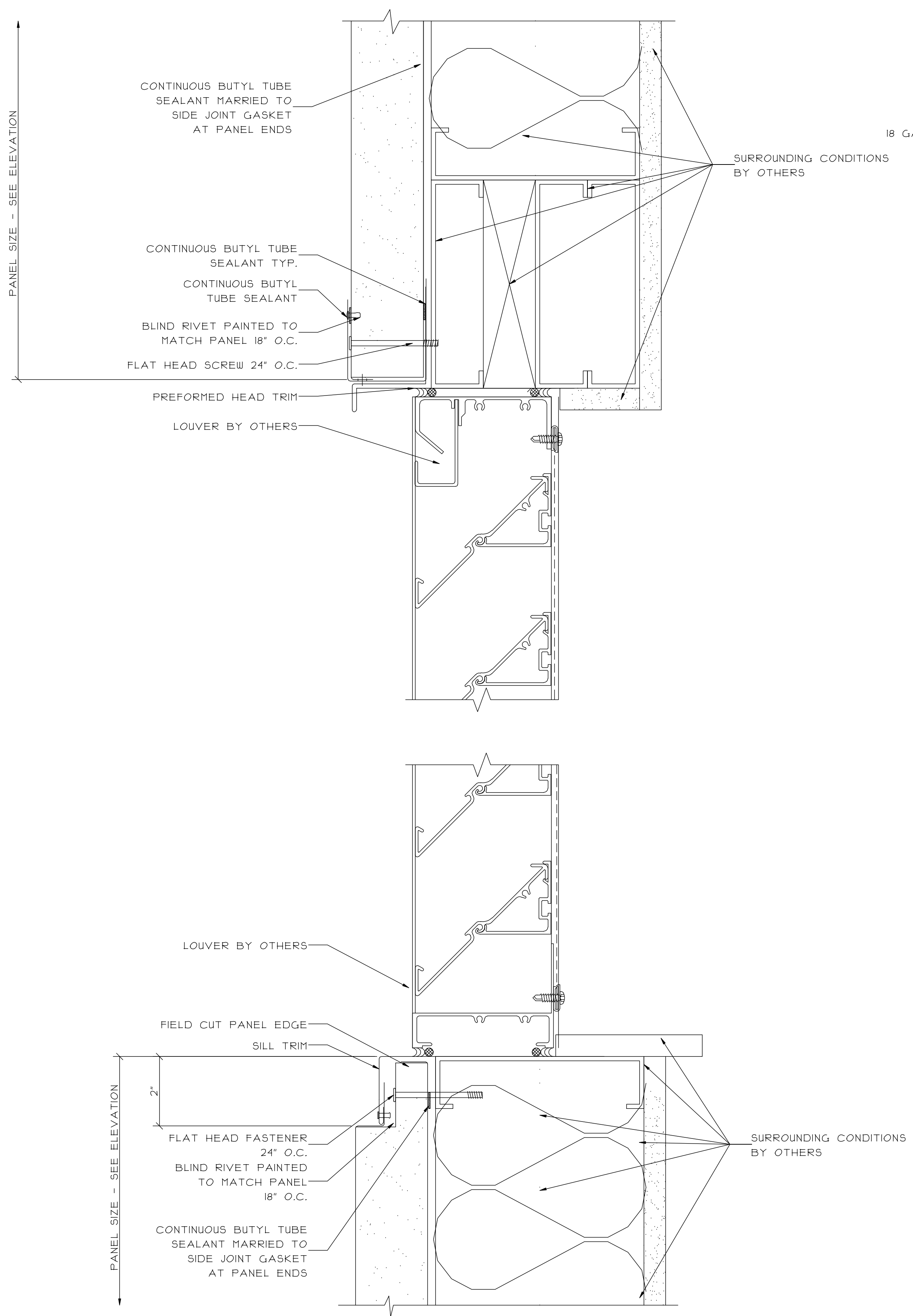
PROJECT: SAMPLE SAMPLE SAMPLE
LOCATION: SAMPLE SAMPLE SAMPLE

ARCHITECT:
SAMPLE SAMPLE SAMPLE
SAMPLE SAMPLE SAMPLE
SAMPLE SAMPLE SAMPLE
SAMPLE SAMPLE SAMPLE

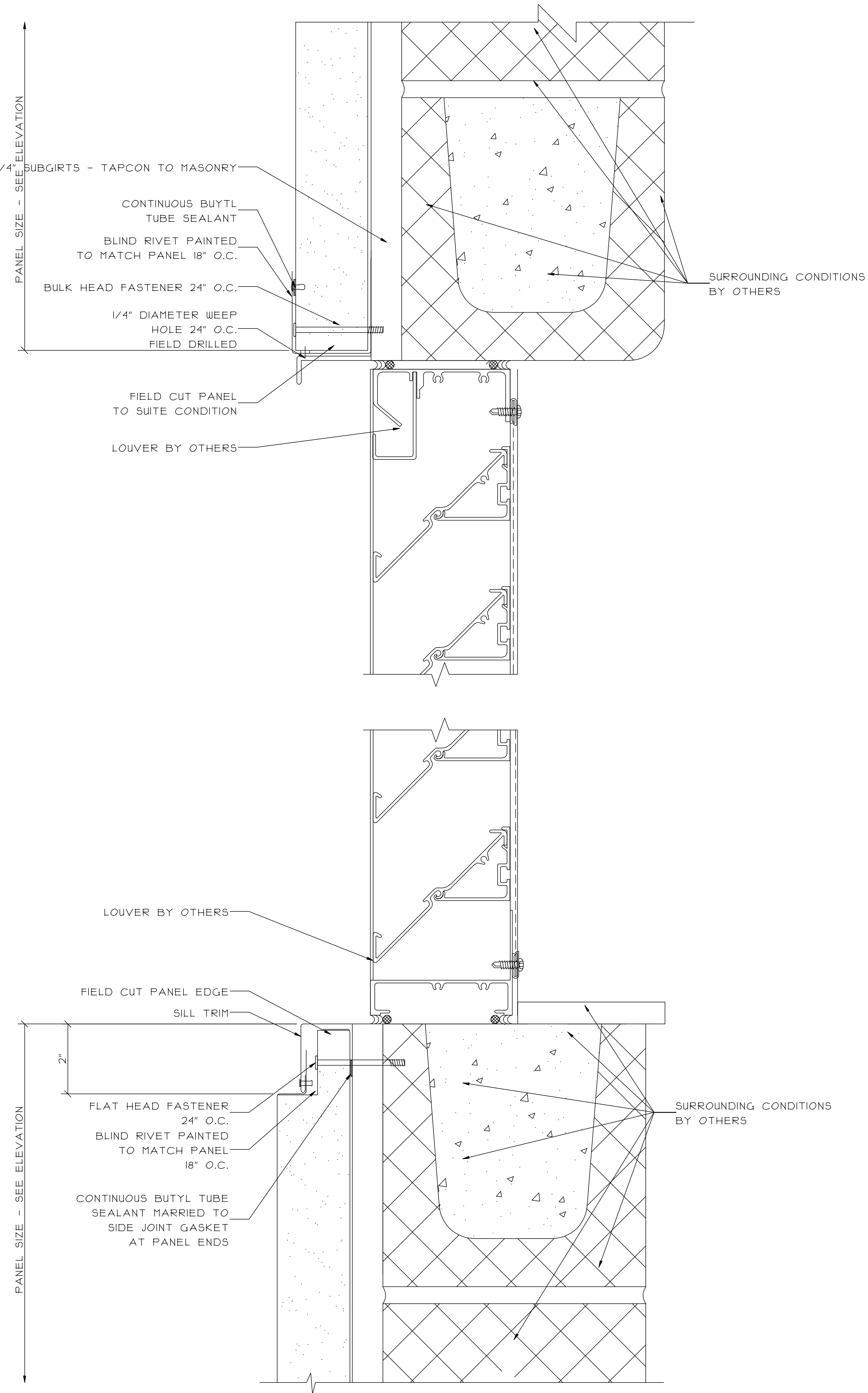
GLAZING CONTRACTOR:
SAMPLE SAMPLE SAMPLE
SAMPLE SAMPLE SAMPLE
SAMPLE SAMPLE SAMPLE
SAMPLE SAMPLE SAMPLE

| REVISIONS: | DATE: |
|------------|-------|
| | |
| | |
| | |
| | |

① DESIGN WALL @ LOUVER HEAD & SILL



② DESIGN WALL @ LOUVER HEAD & SILL



| | |
|------------|-------|
| REVISIONS: | DATE: |
| | |
| | |
| | |
| | |

| | | | |
|---------------------|--------|--------|--------|
| GLAZING CONTRACTOR: | SAMPLE | SAMPLE | SAMPLE |
| | SAMPLE | SAMPLE | SAMPLE |
| | SAMPLE | SAMPLE | SAMPLE |
| | SAMPLE | SAMPLE | SAMPLE |
| | SAMPLE | SAMPLE | SAMPLE |

| | | | |
|------------|--------|--------|--------|
| ARCHITECT: | SAMPLE | SAMPLE | SAMPLE |
| | SAMPLE | SAMPLE | SAMPLE |
| | SAMPLE | SAMPLE | SAMPLE |
| | SAMPLE | SAMPLE | SAMPLE |
| | SAMPLE | SAMPLE | SAMPLE |

| | | | |
|-----------|--------|--------|--------|
| PROJECT: | SAMPLE | SAMPLE | SAMPLE |
| LOCATION: | SAMPLE | SAMPLE | SAMPLE |

SCALE:
6" = 1'-0"

DATE:
SAMPLE

DRAWN:
SAMPLE

PAGE:
26 of 26