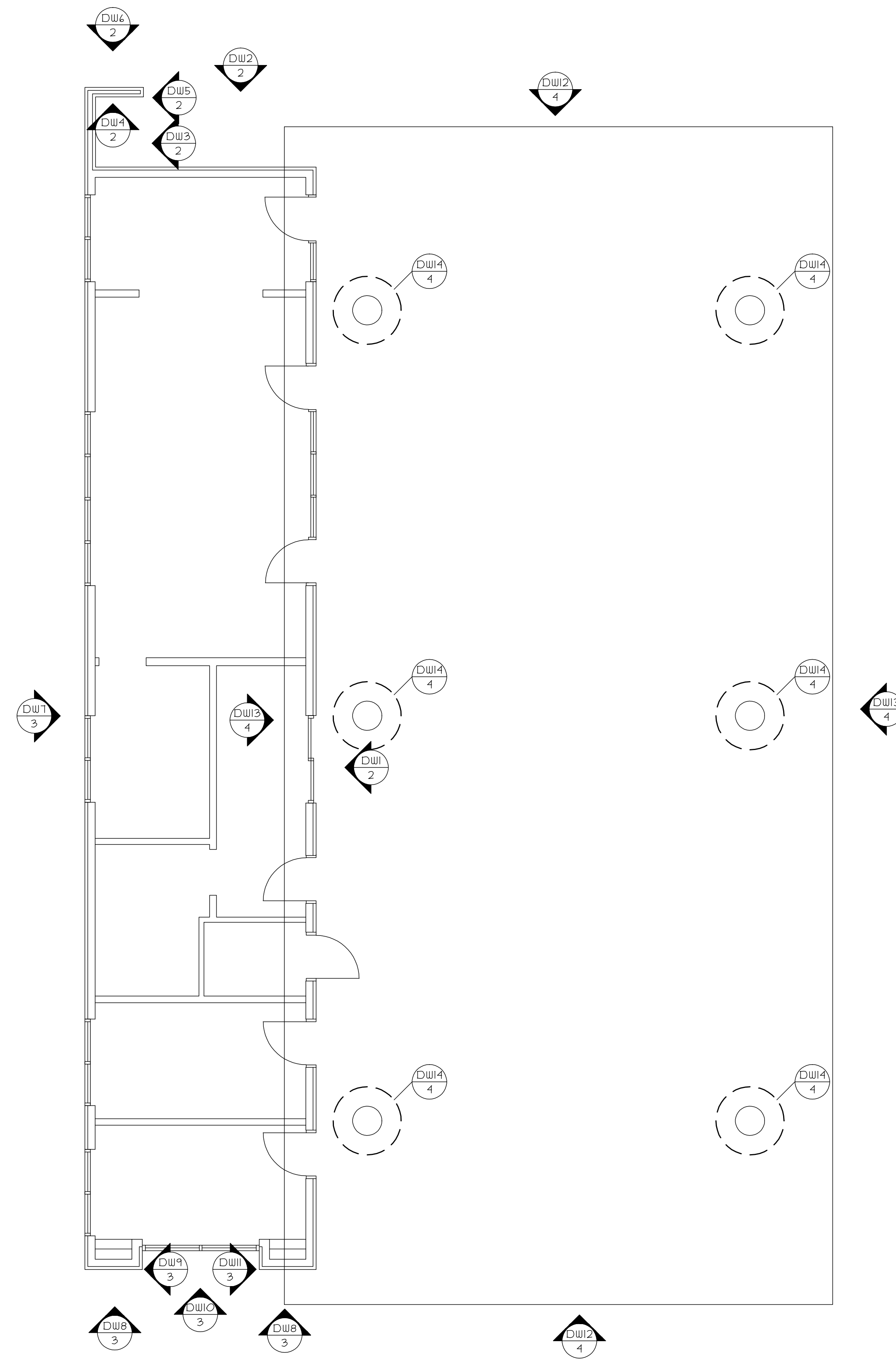


KINGSPAN ALUMINUM METAL PANELS & MCS ALUMINUM PANELS

GENERAL NOTES:

I. GENERAL NOTES



FLOOR & CANOPY - KEY PLAN



DATE:

REVISIONS:

GLAZING CONTRACTOR:

ARCHITECT:

PROJECT: SAMPLE SAMPLE SAMPLE

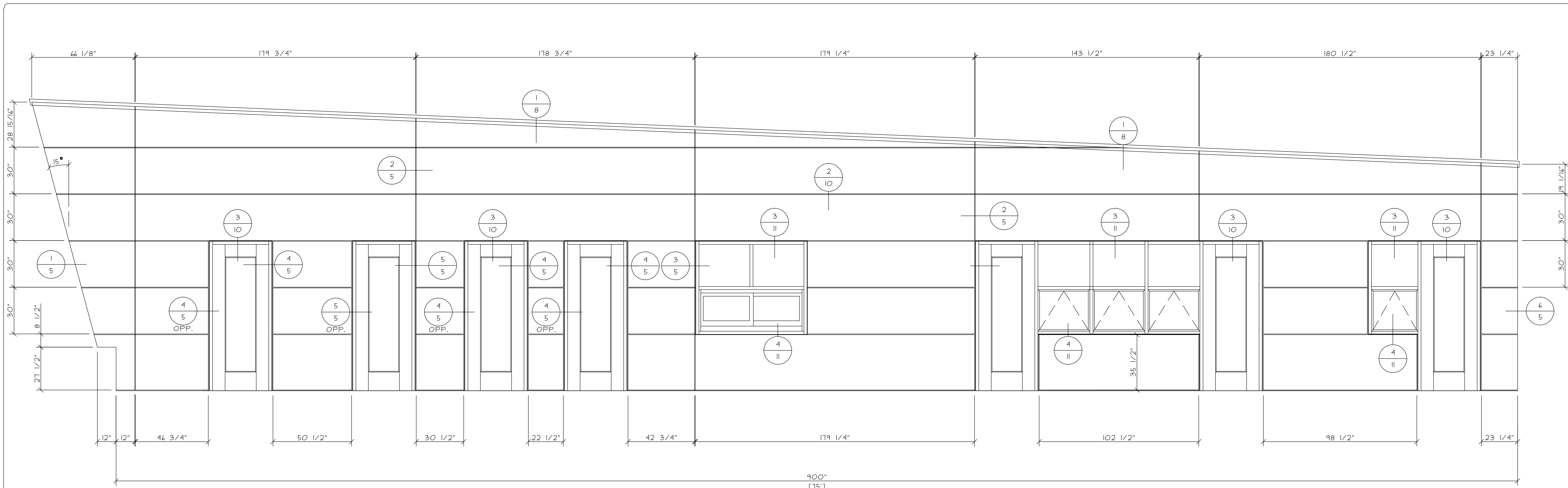
LOCATION: SAMPLE SAMPLE SAMPLE

SCALE:
N.T.S.

DATE:
SAMPLE

DRAWN:
SAMPLE

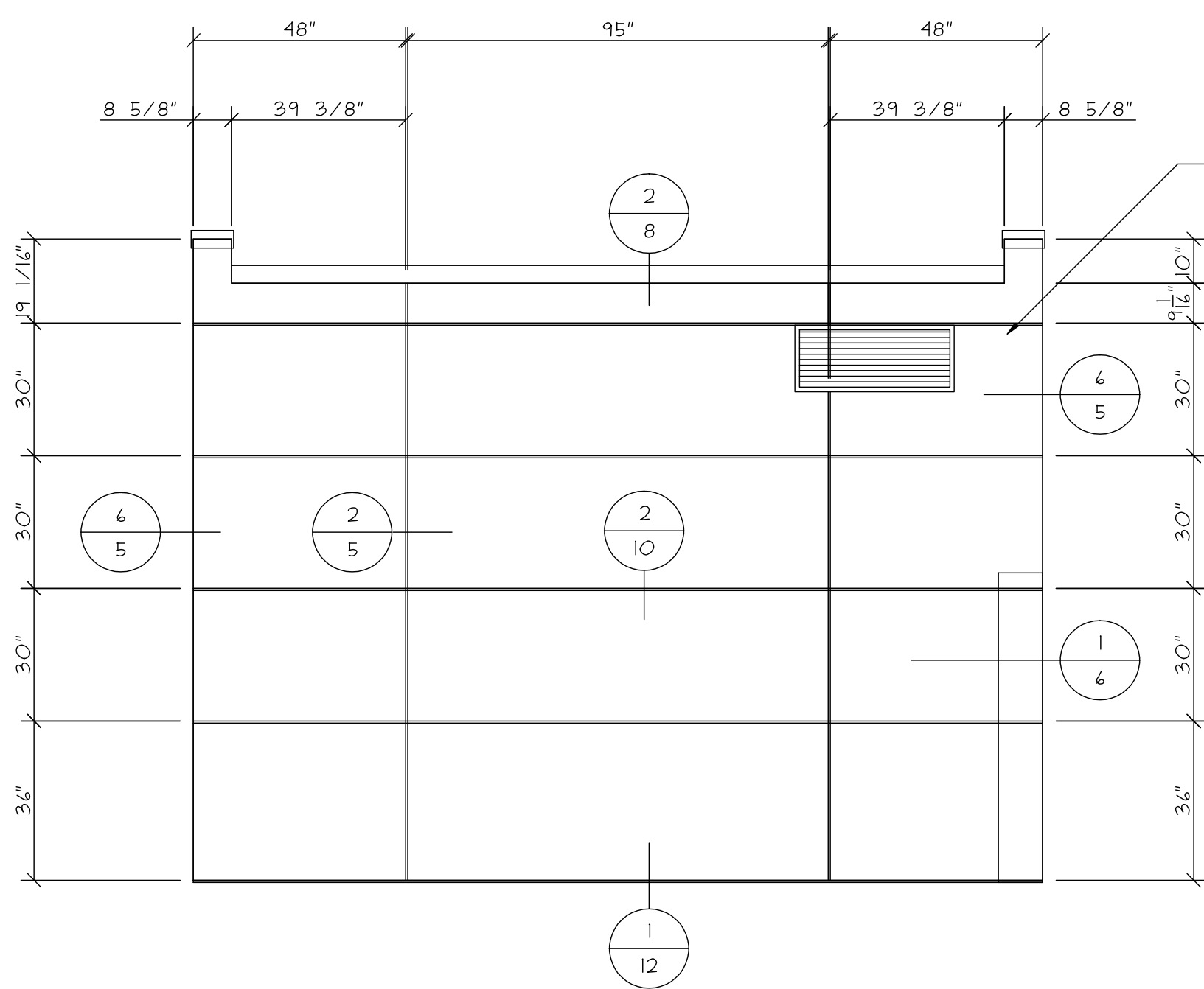
PAGE:
1 of 14



DESIGN WALL "DW1"

KINGSPAN - DESIGN WALL 2000

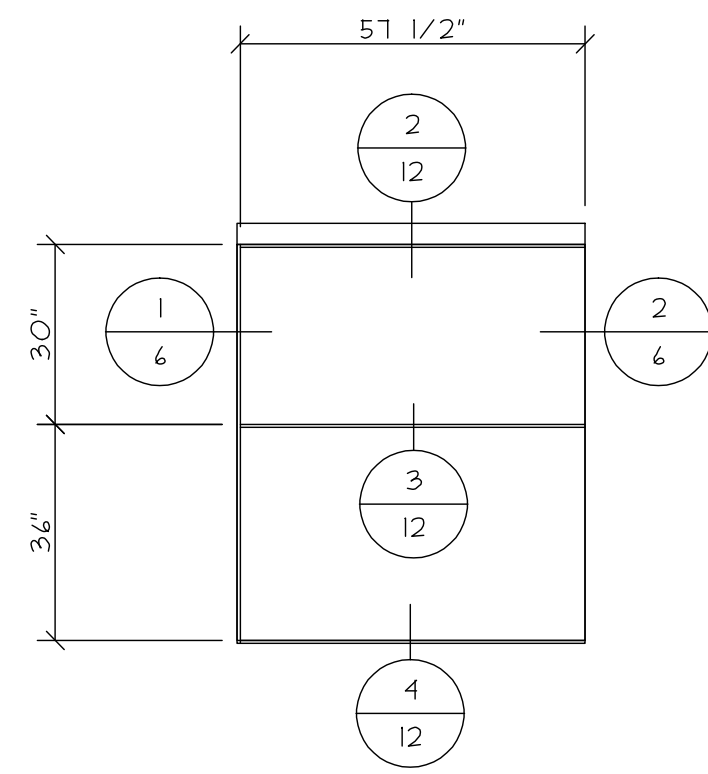
REF# 3/A2.01



DESIGN WALL "DW2"

KINGSPAN - DESIGN WALL 2000

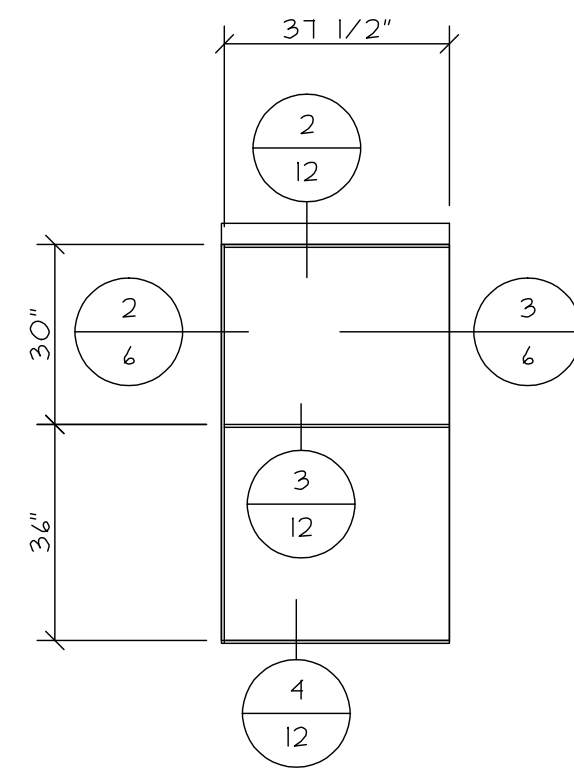
REF# 3/A2.02



DESIGN WALL "DW3"

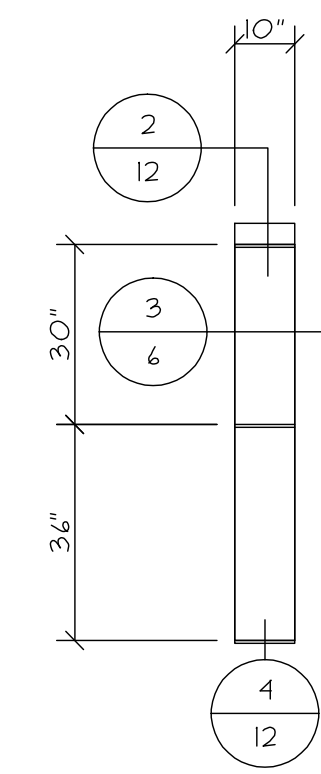
KINGSPAN - DESIGN WALL 2000

REF# 1/A2.01



DESIGN WALL "DW4"

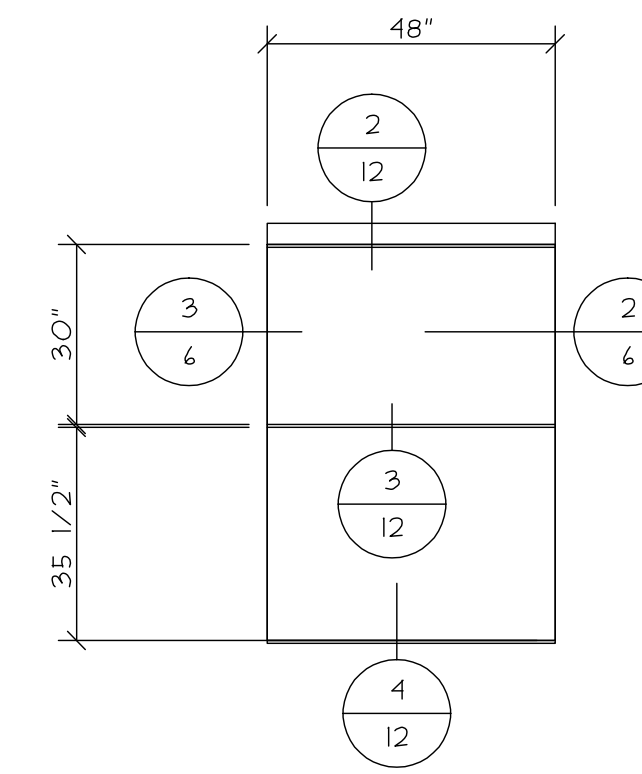
KINGSPAN - DESIGN WALL 2000



DESIGN WALL "DW5"

KINGSPAN - DESIGN WALL 2000

REF# 1/A2.01



DESIGN WALL "DW6"

KINGSPAN - DESIGN WALL 2000

REF# 1/A2.02

REVISIONS:	DATE:

GLAZING CONTRACTOR:	SAMPLE SAMPLE SAMPLE
	SAMPLE SAMPLE SAMPLE
	SAMPLE SAMPLE SAMPLE
	SAMPLE SAMPLE SAMPLE
	SAMPLE SAMPLE SAMPLE

ARCHITECT:	SAMPLE SAMPLE SAMPLE
	SAMPLE SAMPLE SAMPLE
	SAMPLE SAMPLE SAMPLE
	SAMPLE SAMPLE SAMPLE
	SAMPLE SAMPLE SAMPLE

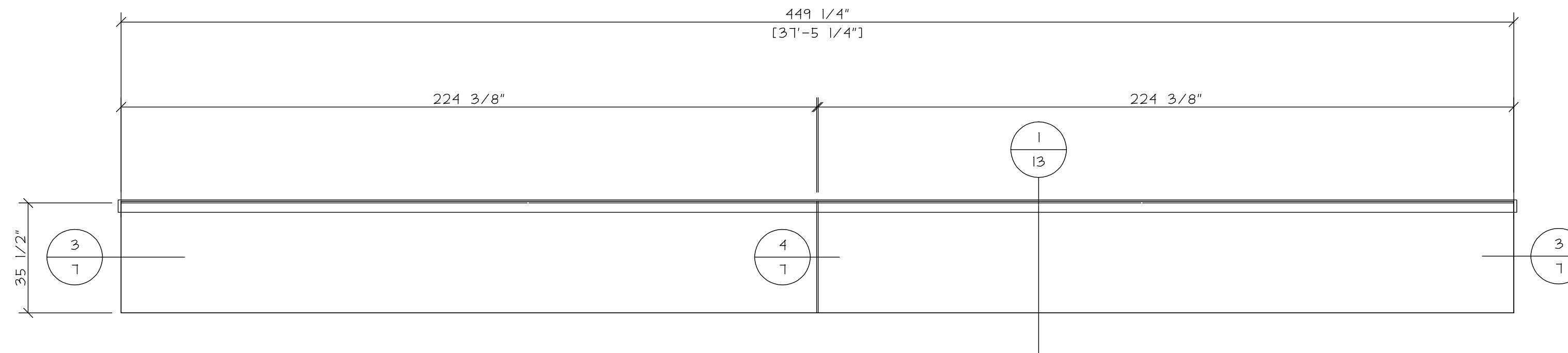
PROJECT:	SAMPLE SAMPLE SAMPLE
LOCATION:	SAMPLE SAMPLE SAMPLE

SCALE:
3/8" = 1'-0"

DATE:
SAMPLE

DRAWN:
SAMPLE

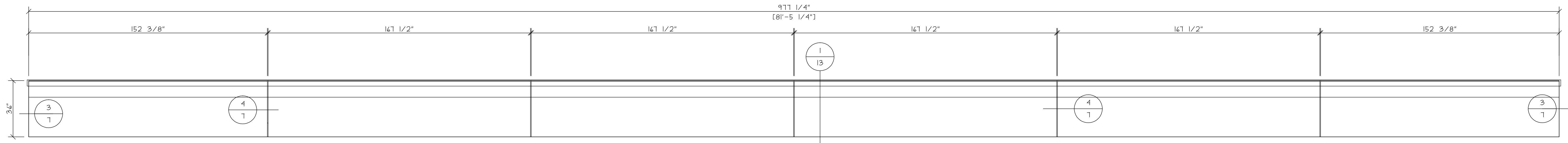
PAGE:
2 of 14



DESIGN WALL "DWI2"

2 TOTAL
KINGSPAN - DESIGN WALL 2000

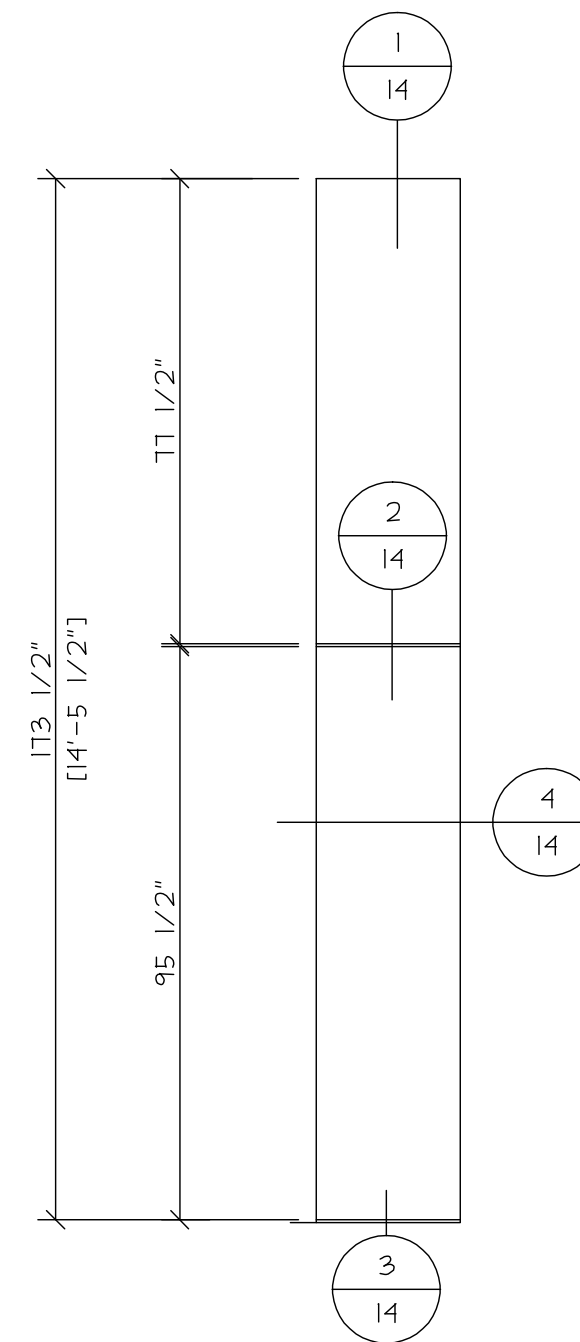
REF# 1/A2.02 & 3A/2.02



DESIGN WALL "DWI3"

2 TOTAL
KINGSPAN - DESIGN WALL 2000

REF# 1/A2.01



DESIGN WALL "DWI4"

6 TOTAL
MCS - COLUMN COVERS

REF# 1/A2.01

REVISIONS:	DATE:

GLAZING CONTRACTOR:
SAMPLE SAMPLE SAMPLE
SAMPLE SAMPLE SAMPLE
SAMPLE SAMPLE SAMPLE
SAMPLE SAMPLE SAMPLE
SAMPLE SAMPLE SAMPLE

ARCHITECT:
SAMPLE SAMPLE SAMPLE
SAMPLE SAMPLE SAMPLE
SAMPLE SAMPLE SAMPLE
SAMPLE SAMPLE SAMPLE
SAMPLE SAMPLE SAMPLE

PROJECT:	SAMPLE SAMPLE SAMPLE
LOCATION:	SAMPLE SAMPLE SAMPLE

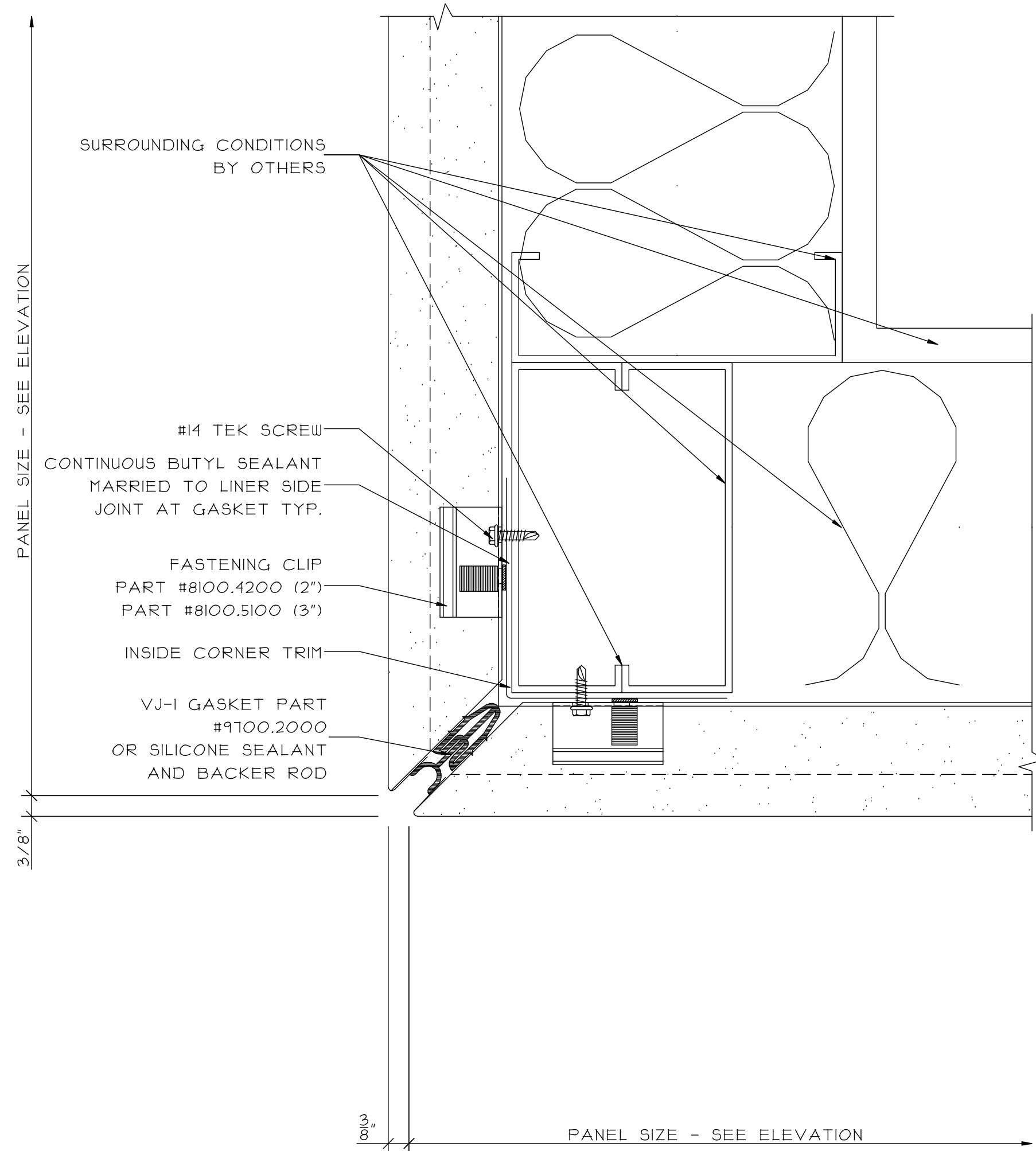
SCALE:
3/8" = 1'-0"

DATE:
SAMPLE

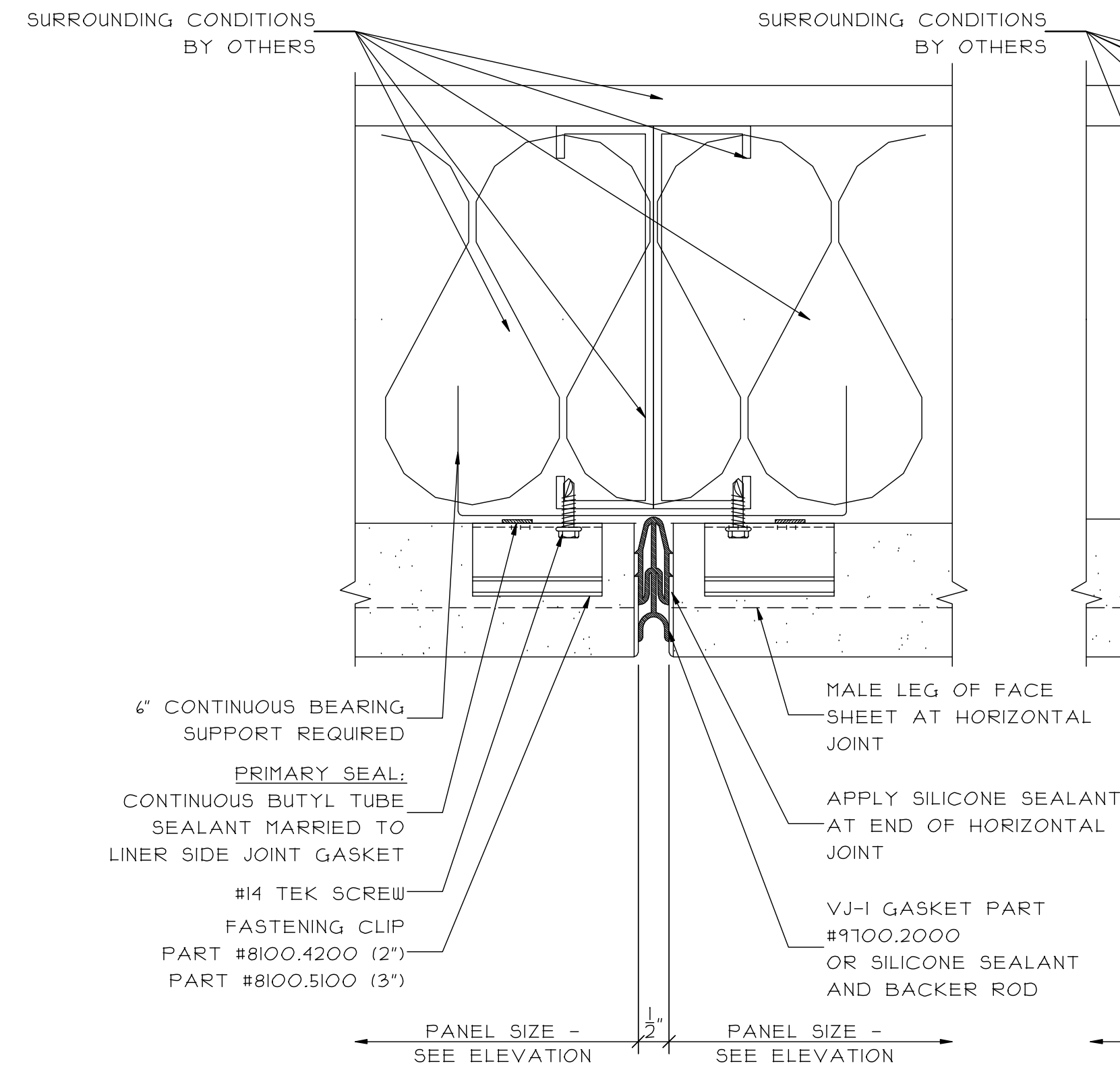
DRAWN:
SAMPLE

PAGE:
4 of 14

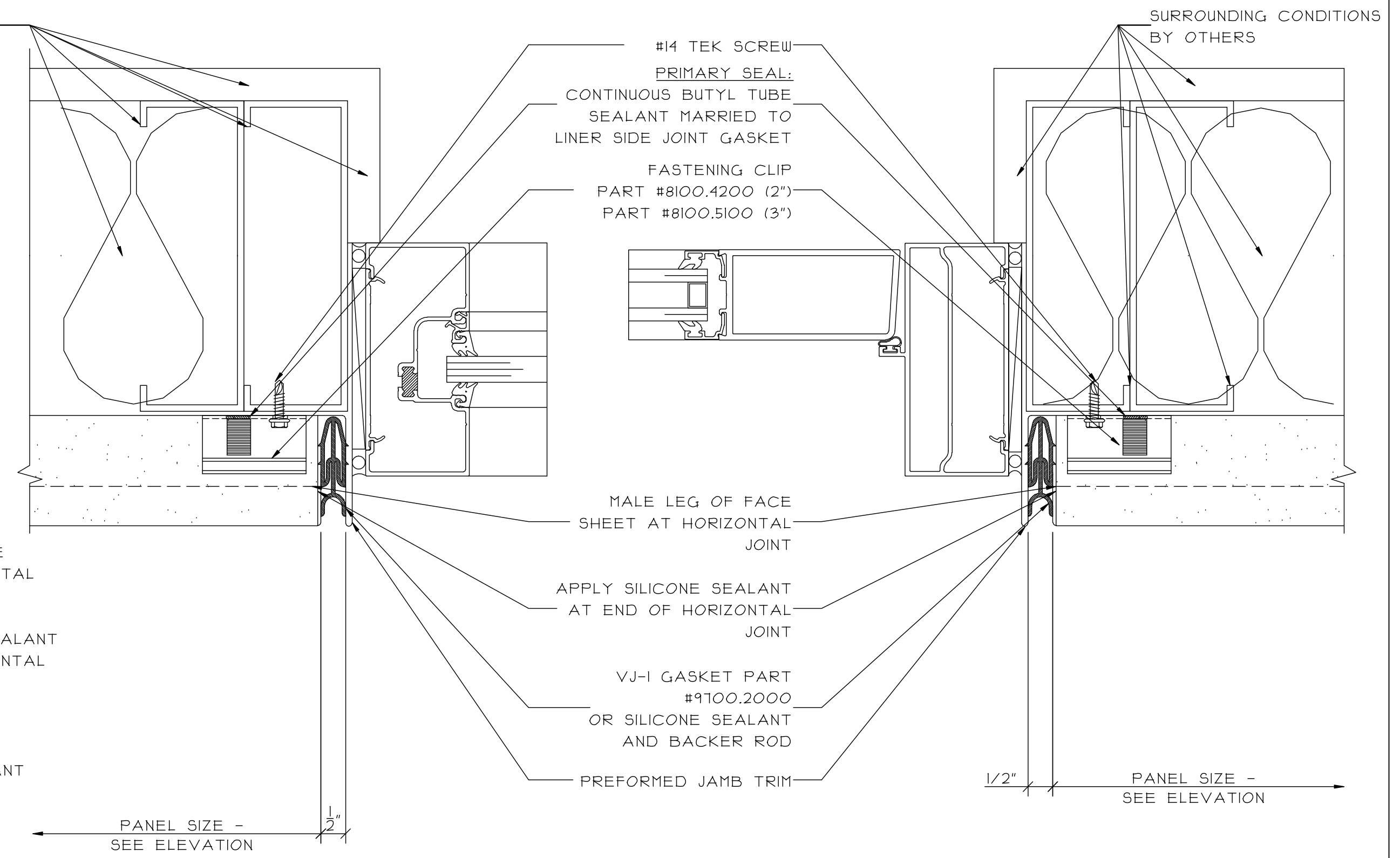
① DESIGN WALL OUTSIDE CORNER



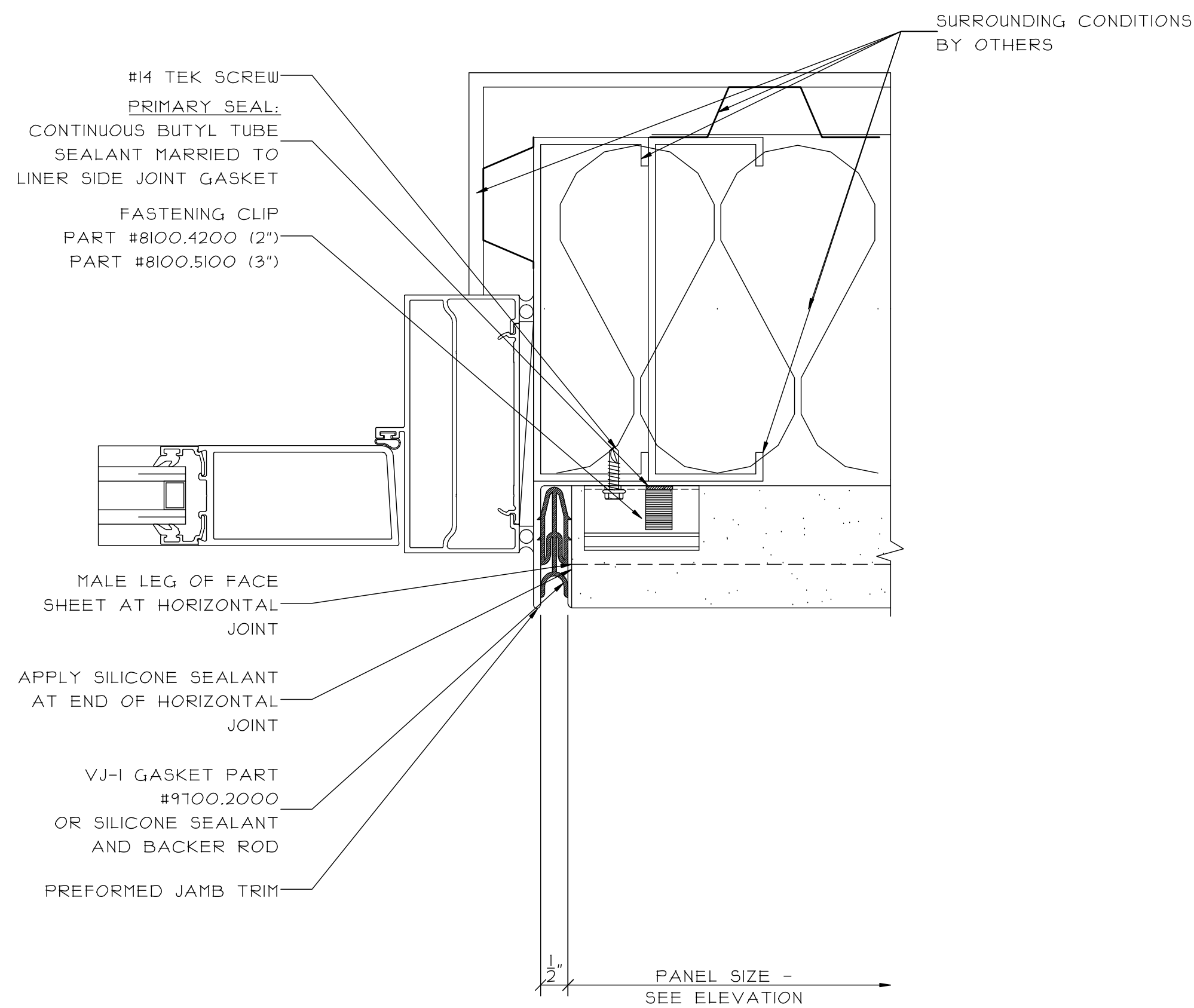
② DESIGN WALL VERTICAL JOINT ③ DESIGN WALL @ WINDOW JAMB REF. I2/A4.01



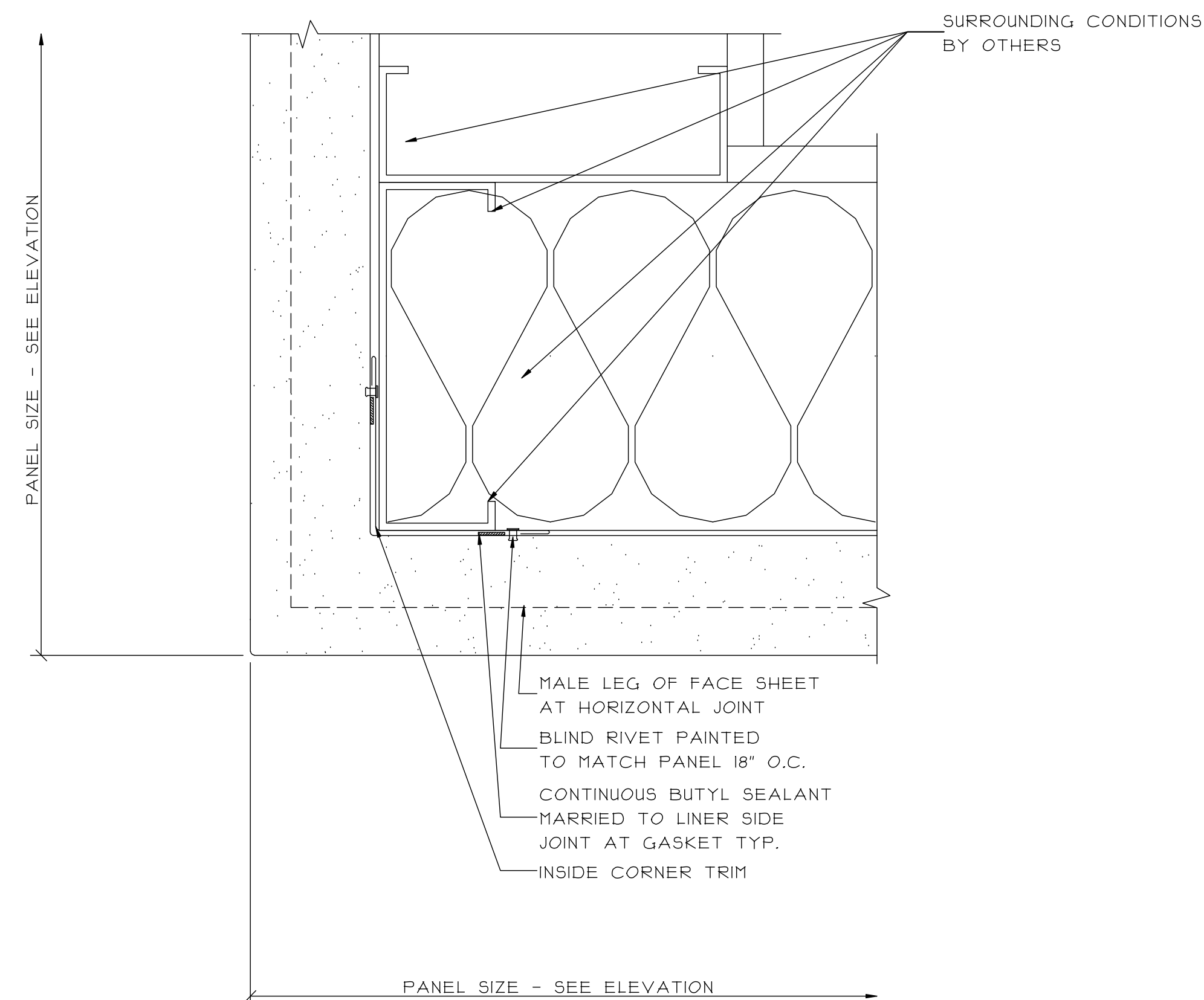
④ DESIGN WALL @ DOOR JAMB REF. I1/A4.01



⑤ DESIGN WALL @ DOOR JAMB



⑥ DESIGN WALL OUTSIDE CORNER



DATE:	
REVISIONS:	

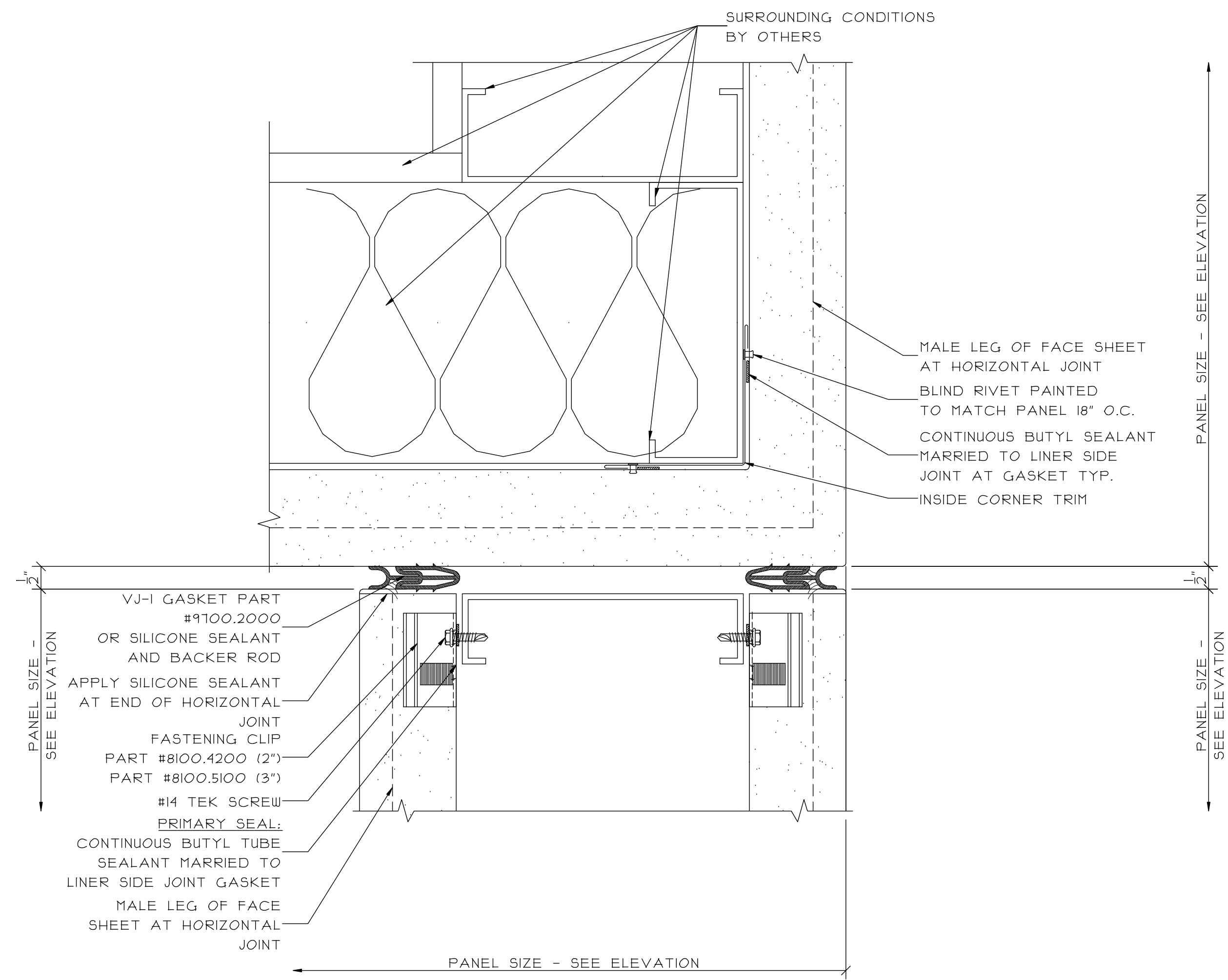
GLAZING CONTRACTOR:	SAMPLE SAMPLE SAMPLE
	SAMPLE SAMPLE SAMPLE
	SAMPLE SAMPLE SAMPLE
	SAMPLE SAMPLE SAMPLE
	SAMPLE SAMPLE SAMPLE

ARCHITECT:	SAMPLE SAMPLE SAMPLE
	SAMPLE SAMPLE SAMPLE
	SAMPLE SAMPLE SAMPLE
	SAMPLE SAMPLE SAMPLE
	SAMPLE SAMPLE SAMPLE

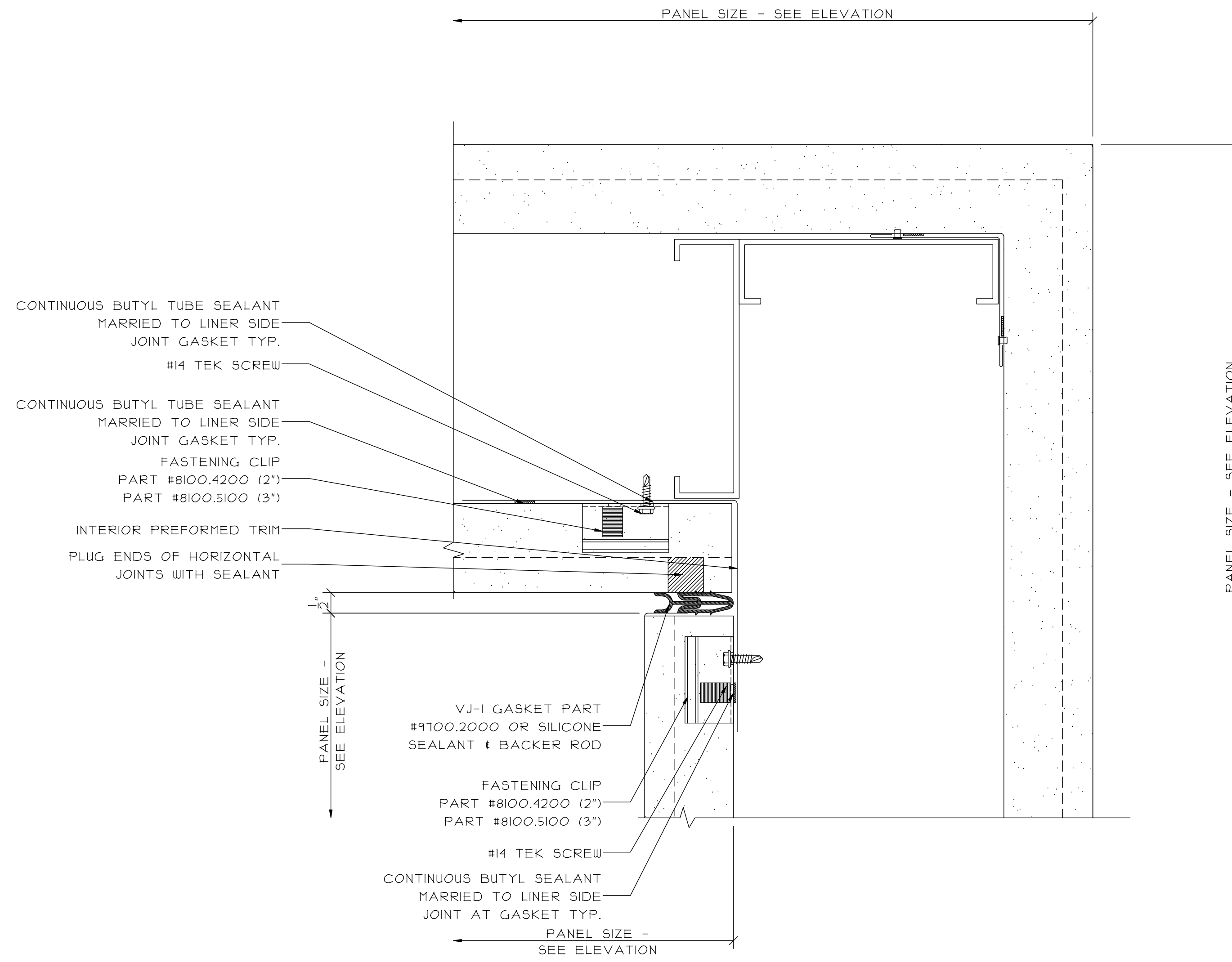
PROJECT:	SAMPLE SAMPLE SAMPLE
LOCATION:	SAMPLE SAMPLE SAMPLE

SCALE:	6" = 1'-0"
DATE:	SAMPLE
DRAWN:	SAMPLE
PAGE:	5 of 14

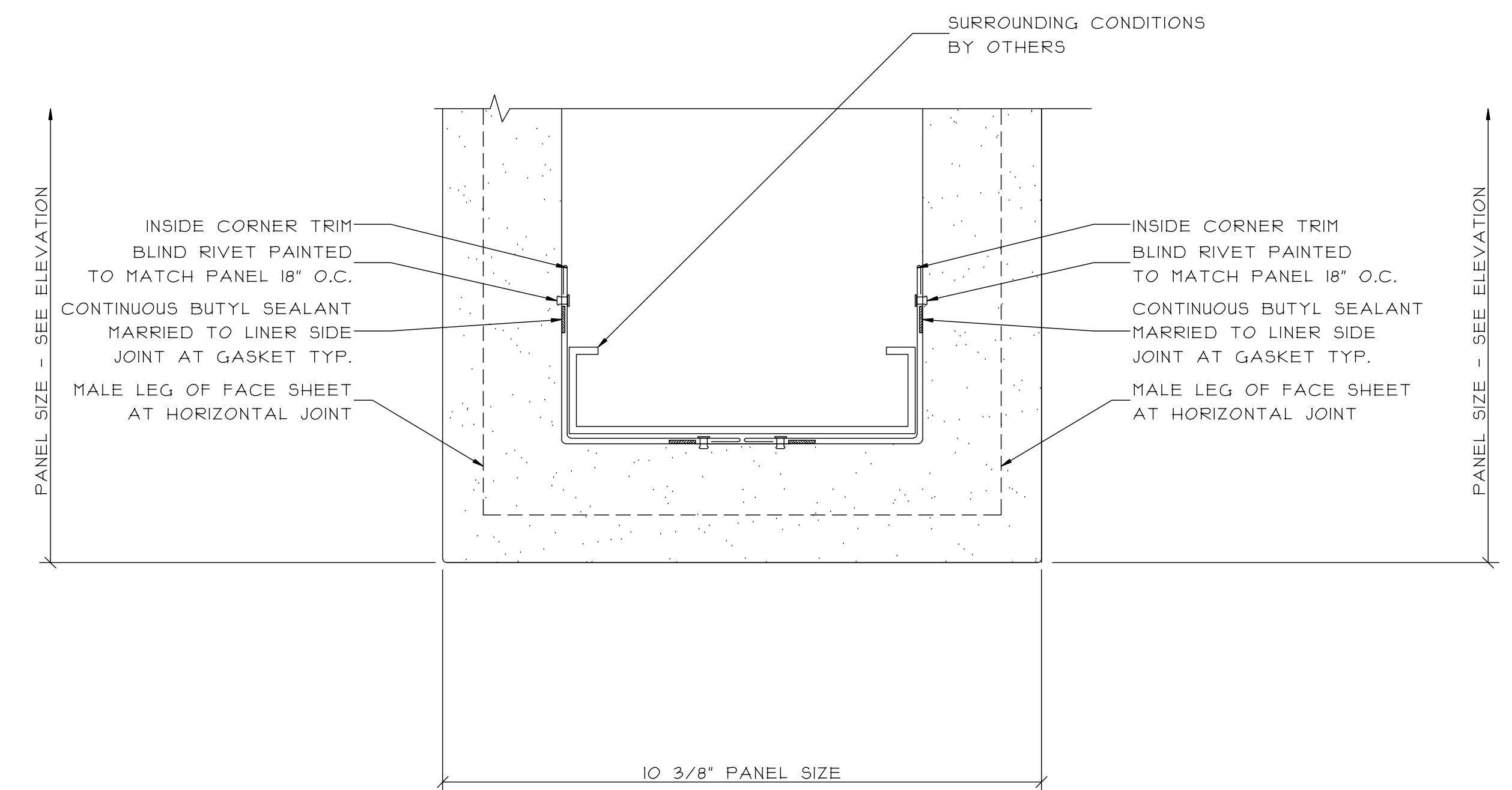
① DESIGN WALL OUTSIDE CORNER



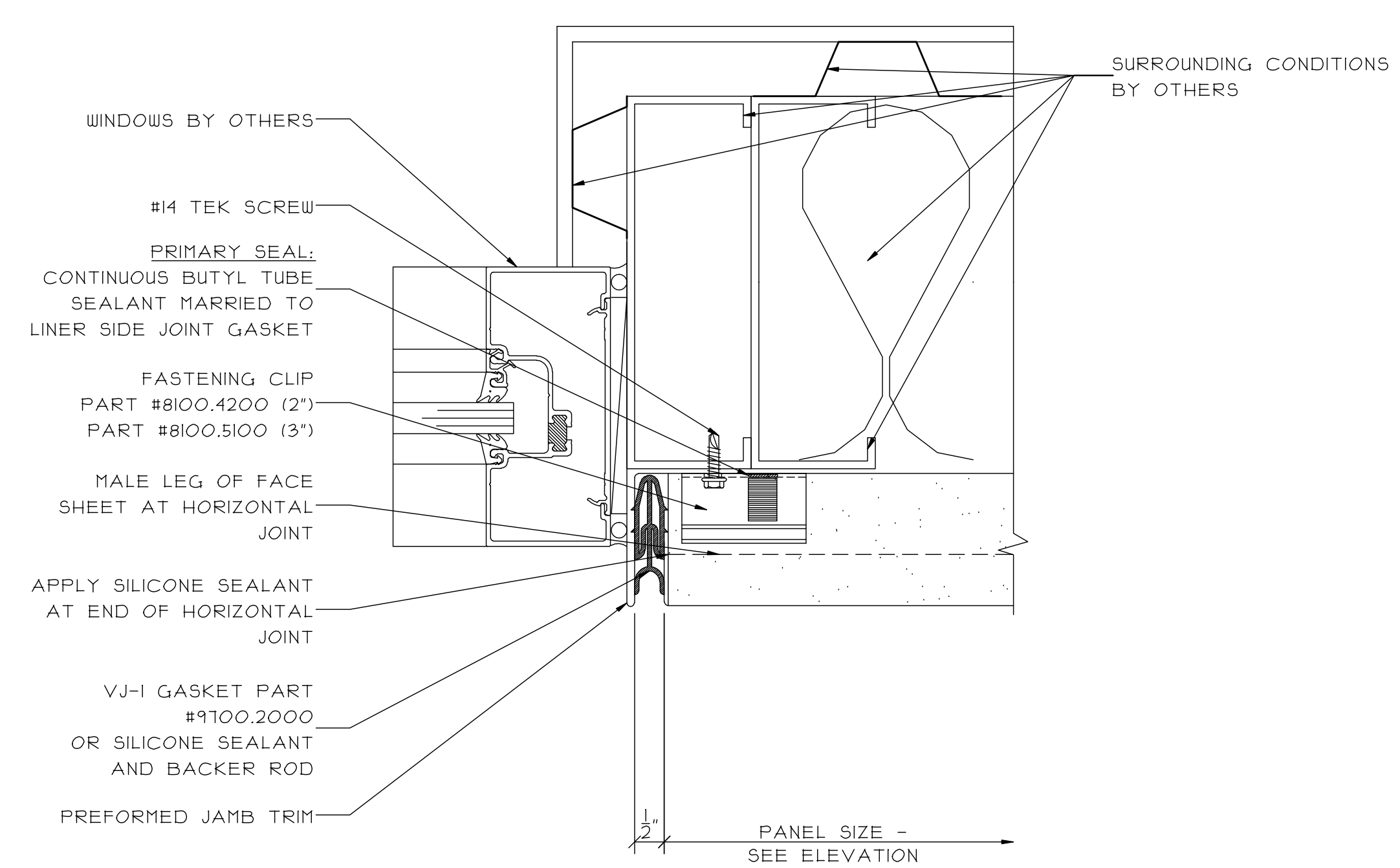
② DESIGN WALL OUTSIDE CORNER @ INSIDE CORNER



③ DESIGN WALL OUTSIDE CORNER



④ DESIGN WALL @ WINDOW JAMB



DATE:	
REVISIONS:	

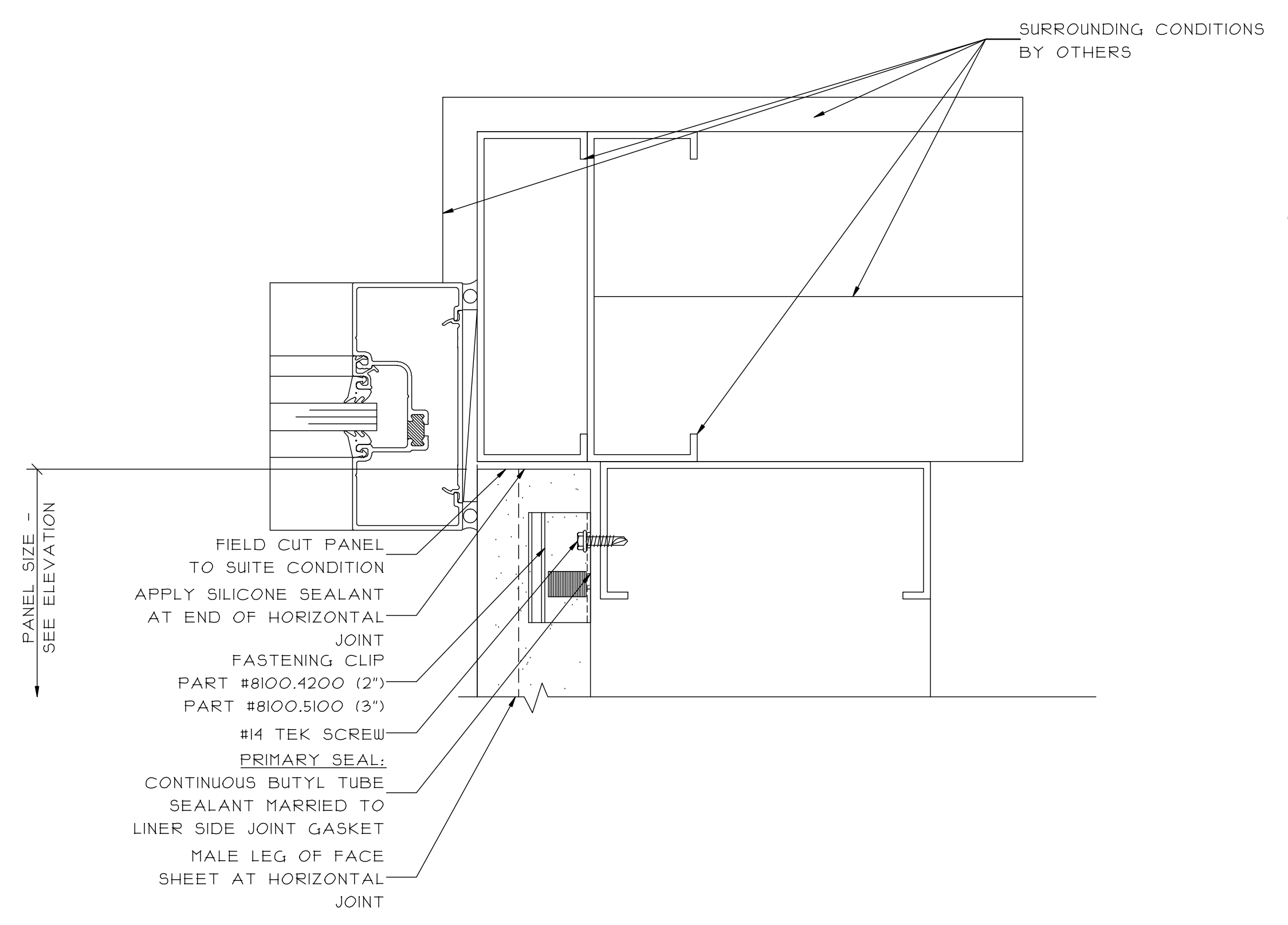
GLAZING CONTRACTOR:	SAMPLE	SAMPLE	SAMPLE
	SAMPLE	SAMPLE	SAMPLE
	SAMPLE	SAMPLE	SAMPLE
	SAMPLE	SAMPLE	SAMPLE
	SAMPLE	SAMPLE	SAMPLE

ARCHITECT:	SAMPLE	SAMPLE	SAMPLE
	SAMPLE	SAMPLE	SAMPLE
	SAMPLE	SAMPLE	SAMPLE
	SAMPLE	SAMPLE	SAMPLE
	SAMPLE	SAMPLE	SAMPLE

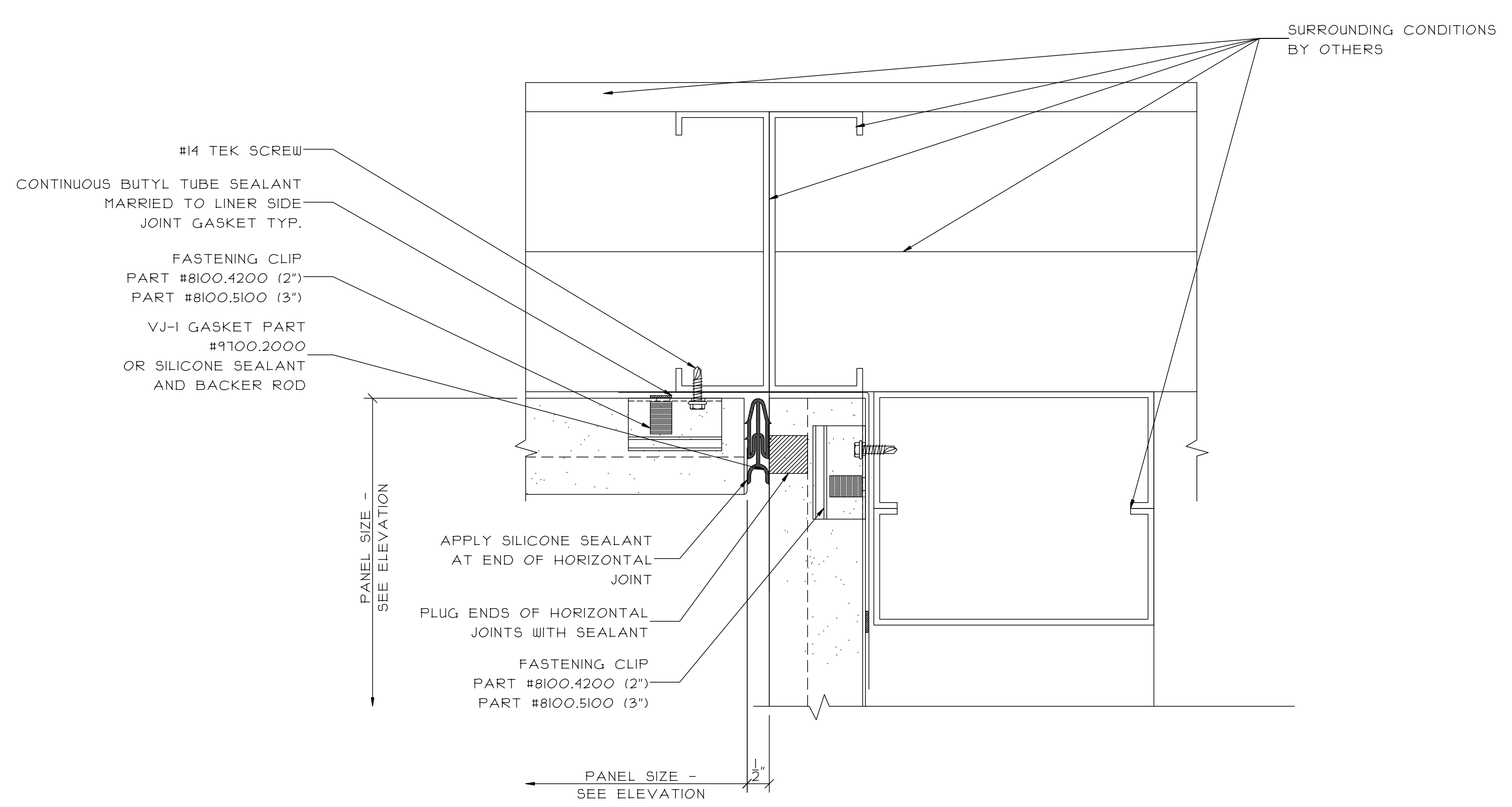
PROJECT:	SAMPLE	SAMPLE	SAMPLE
LOCATION:	SAMPLE	SAMPLE	SAMPLE

SCALE:	6" = 1'-0"
DATE:	SAMPLE
DRAWN:	SAMPLE
PAGE:	6 of 14

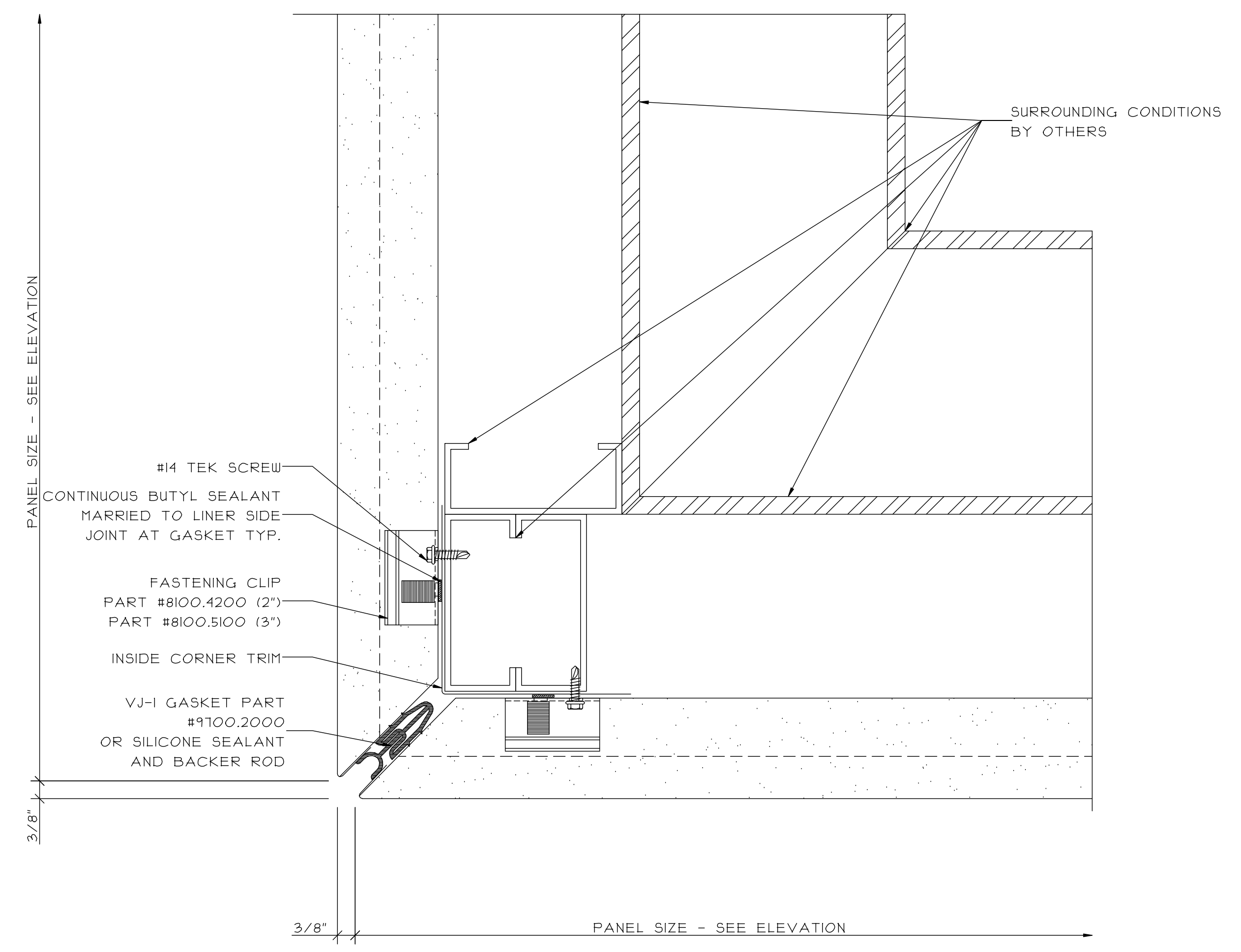
① DESIGN WALL @ WINDOW JAMB



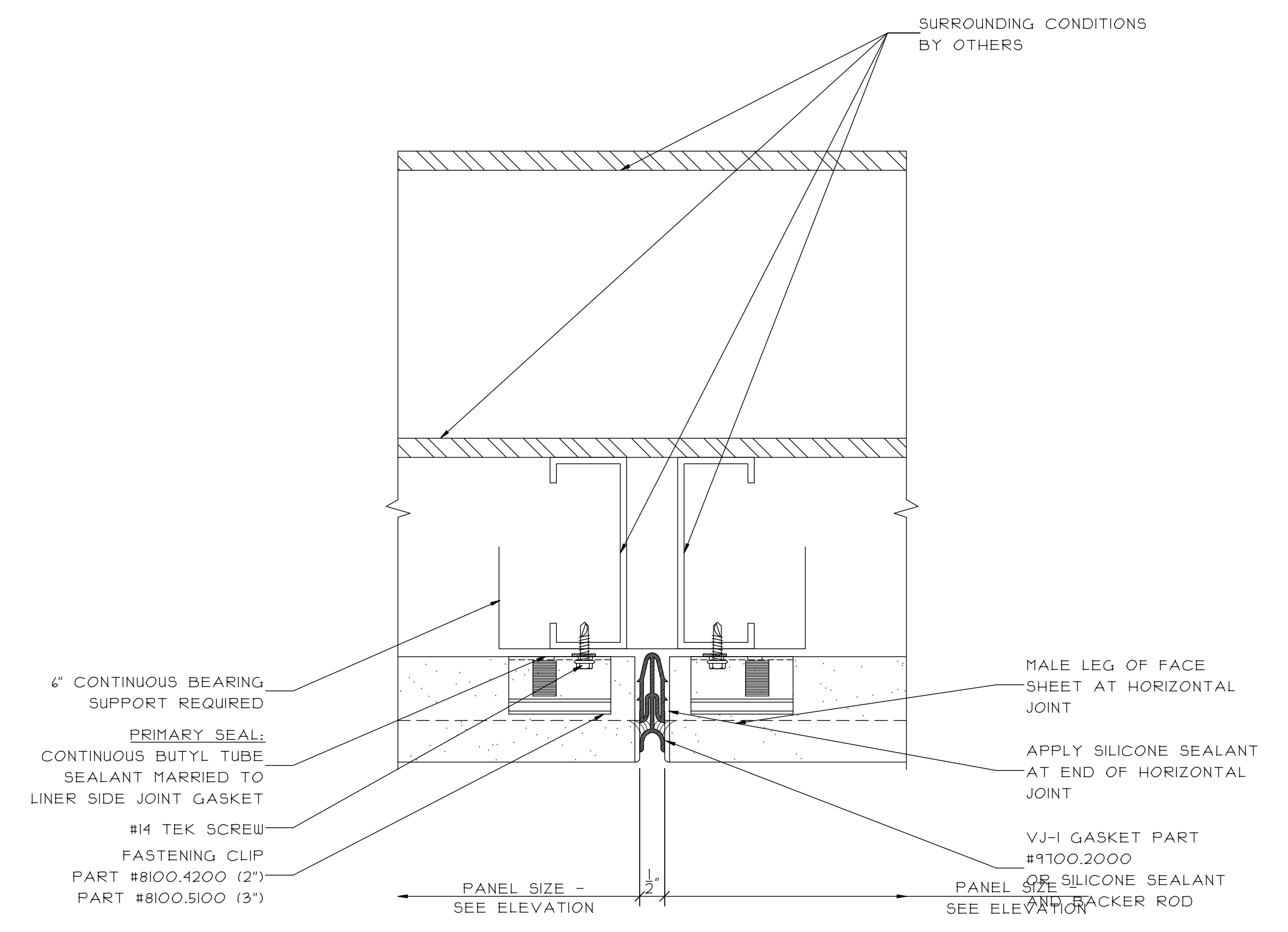
② DESIGN WALL INSIDE CORNER



③ DESIGN WALL OUTSIDE CORNER



④ DESIGN WALL VERTICAL JOINT



DATE:	
REVISIONS:	

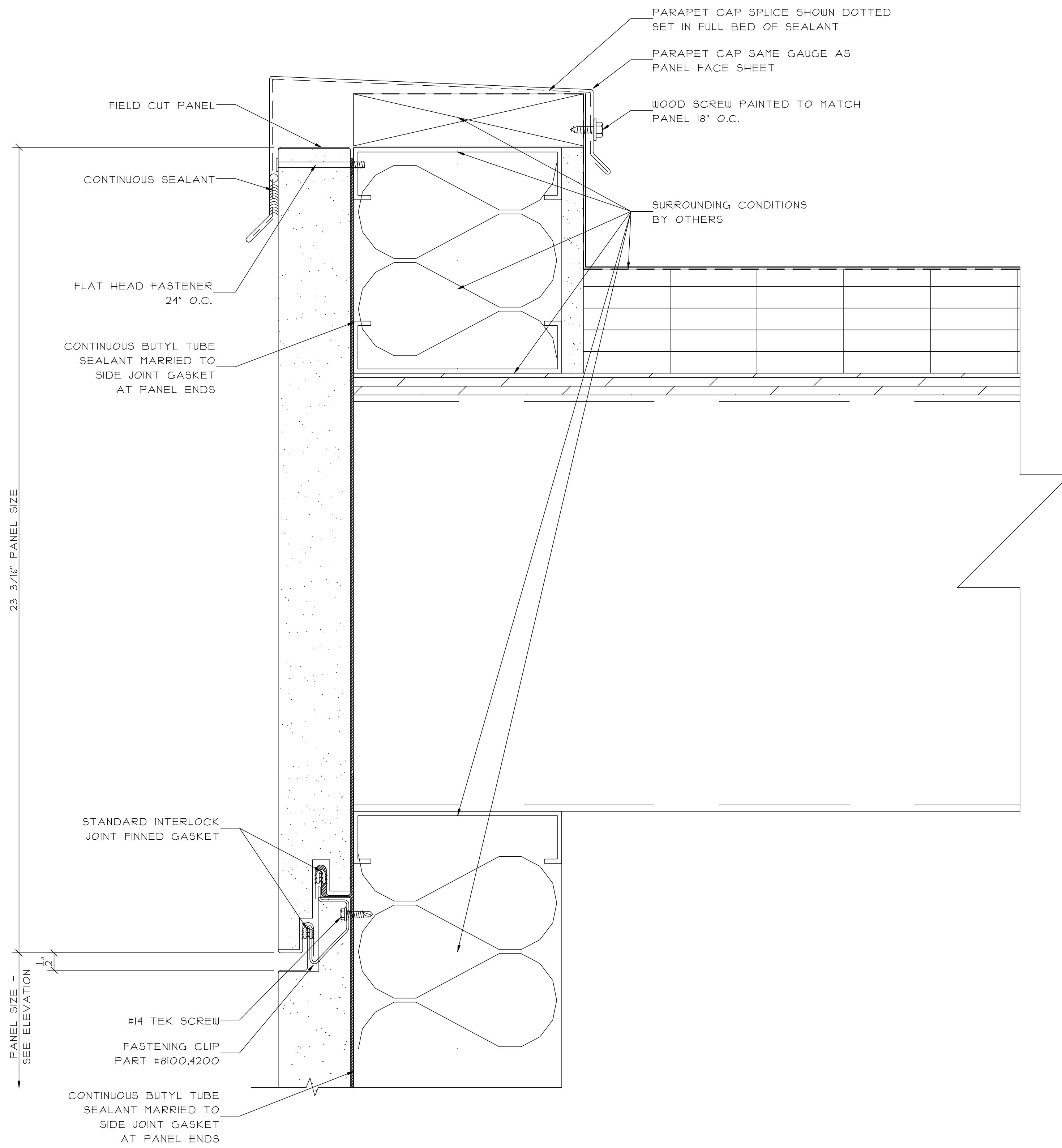
GLAZING CONTRACTOR:	SAMPLE	SAMPLE	SAMPLE
	SAMPLE	SAMPLE	SAMPLE
	SAMPLE	SAMPLE	SAMPLE
	SAMPLE	SAMPLE	SAMPLE

ARCHITECT:	SAMPLE	SAMPLE	SAMPLE
	SAMPLE	SAMPLE	SAMPLE
	SAMPLE	SAMPLE	SAMPLE
	SAMPLE	SAMPLE	SAMPLE

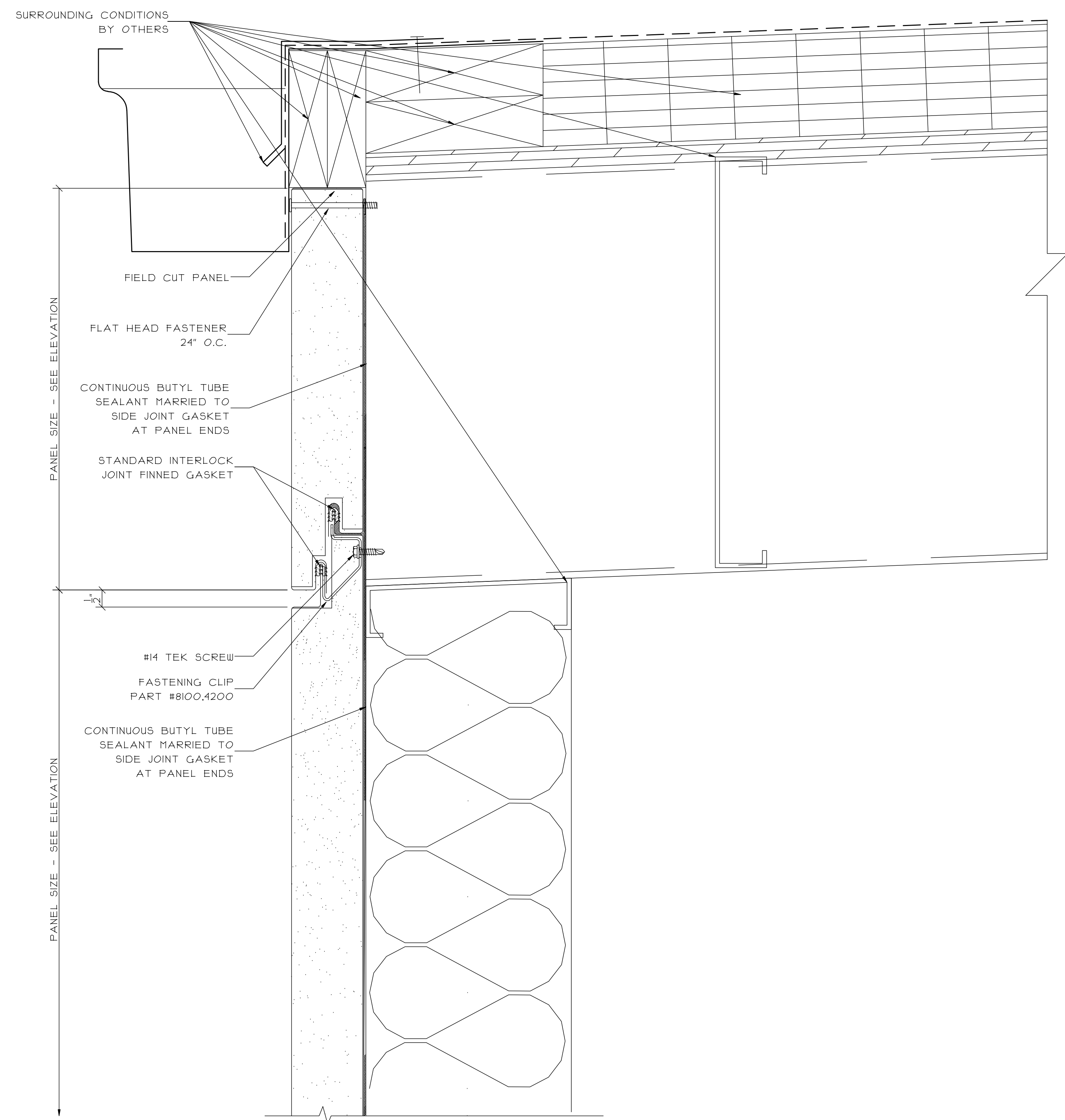
PROJECT:	SAMPLE	SAMPLE	SAMPLE
LOCATION:	SAMPLE	SAMPLE	SAMPLE

SCALE:	6" = 1'-0"
DATE:	SAMPLE
DRAWN:	SAMPLE
PAGE:	7 of 14

① DESIGN WALL @ PARAPET
REF. 9/A4.02



② DESIGN WALL @ LOW ROOF
REF. 8/A4.02



REVISIONS:

GLAZING CONTRACTOR:

SAMPLE	SAMPLE	SAMPLE
SAMPLE	SAMPLE	SAMPLE
SAMPLE	SAMPLE	SAMPLE
SAMPLE	SAMPLE	SAMPLE
SAMPLE	SAMPLE	SAMPLE
SAMPLE	SAMPLE	SAMPLE
SAMPLE	SAMPLE	SAMPLE
SAMPLE	SAMPLE	SAMPLE

ARCHITECT:

SAMPLE	SAMPLE	SAMPLE
SAMPLE	SAMPLE	SAMPLE
SAMPLE	SAMPLE	SAMPLE
SAMPLE	SAMPLE	SAMPLE
SAMPLE	SAMPLE	SAMPLE
SAMPLE	SAMPLE	SAMPLE
SAMPLE	SAMPLE	SAMPLE
SAMPLE	SAMPLE	SAMPLE

PROJECT:	SAMPLE	SAMPLE	SAMPLE
LOCATION:	SAMPLE	SAMPLE	SAMPLE

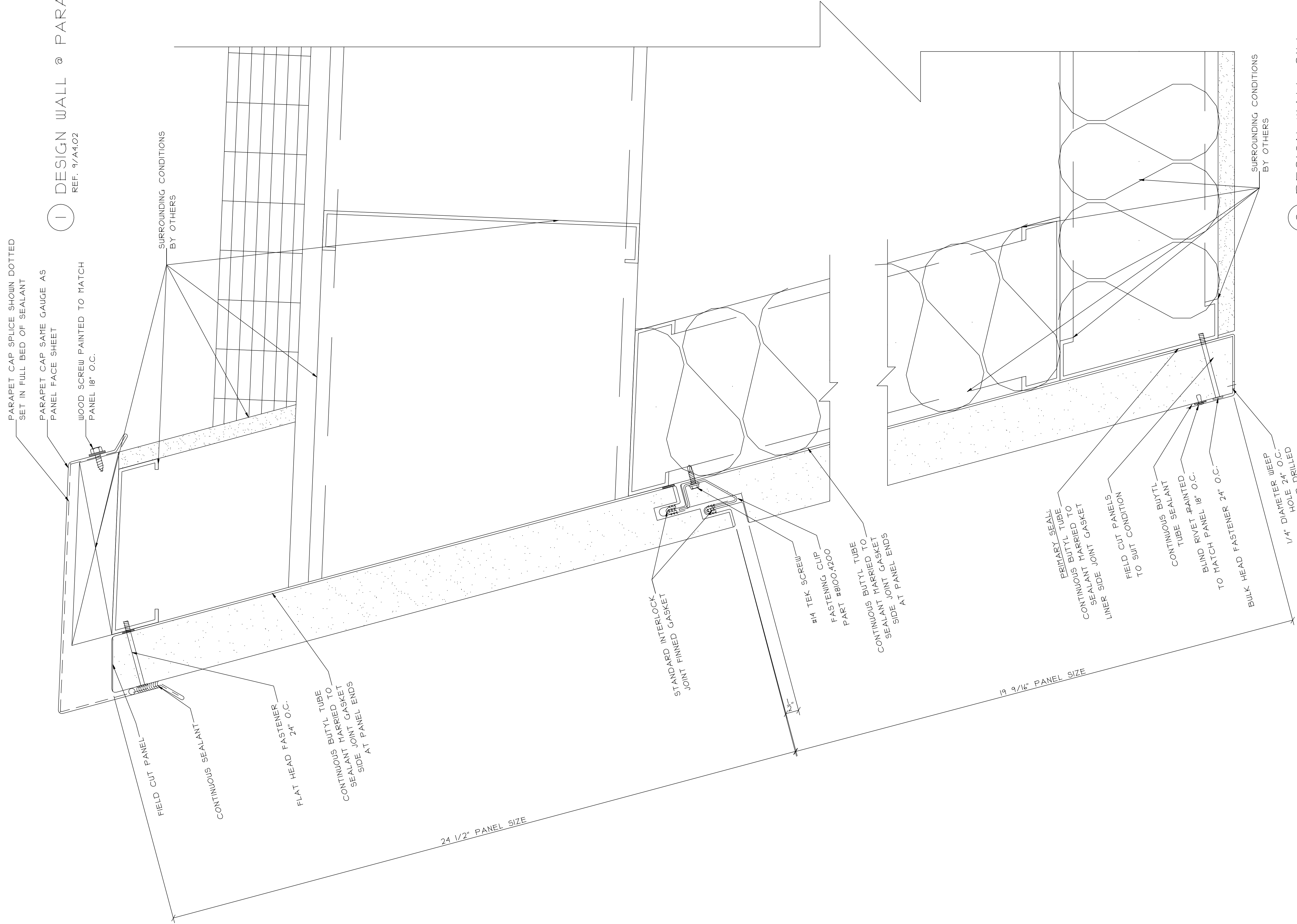
SCALE:
6" = 1'-0"

DATE:
SAMPLE

DRAWN:
SAMPLE

PAGE:
8 of 14

1 DESIGN WALL @ PARAPET
REF. 9/4.02



PROJECT: SAMPLE SAMPLE SAMPLE
LOCATION: SAMPLE SAMPLE SAMPLE

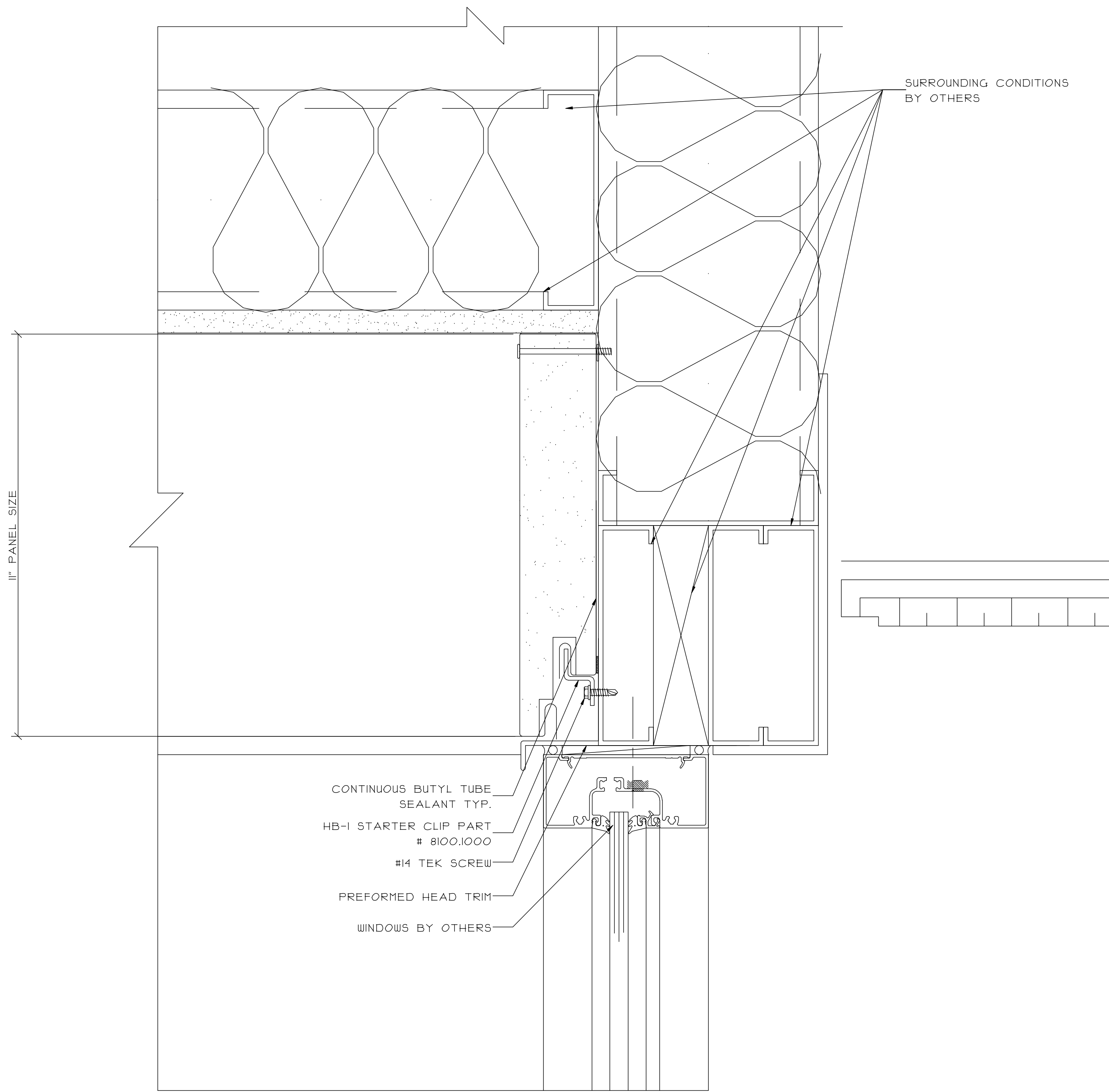
SCALE: 6" = 1'-0"
DATE: SAMPLE
DRAWN: SAMPLE
PAGE: 9 of 14

ARCHITECT: SAMPLE SAMPLE SAMPLE
SAMPLE SAMPLE SAMPLE
SAMPLE SAMPLE SAMPLE
SAMPLE SAMPLE SAMPLE
SAMPLE SAMPLE SAMPLE

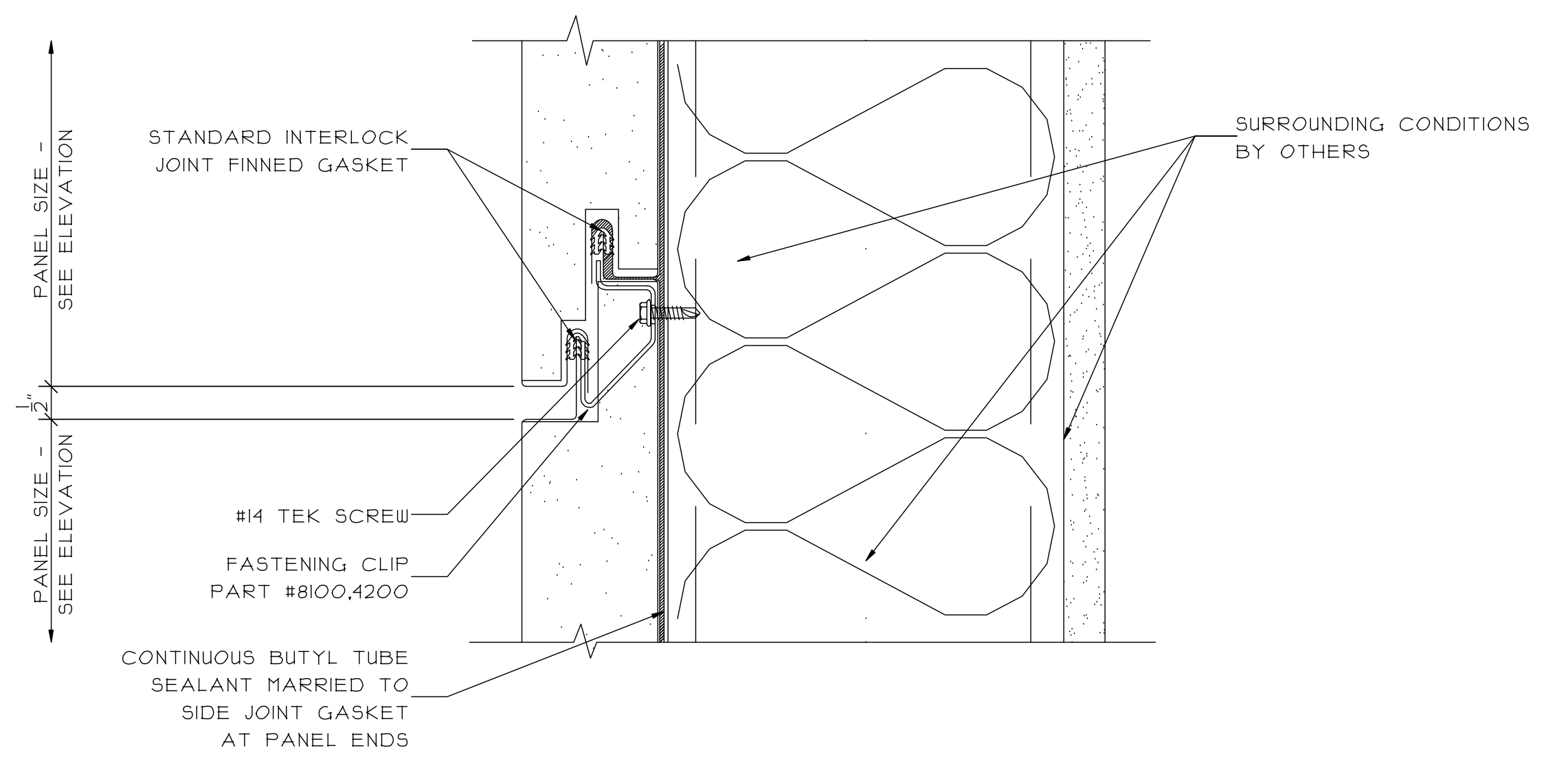
GLAZING CONTRACTOR: SAMPLE SAMPLE SAMPLE
SAMPLE SAMPLE SAMPLE
SAMPLE SAMPLE SAMPLE
SAMPLE SAMPLE SAMPLE
SAMPLE SAMPLE SAMPLE

REVISIONS:	DATE:

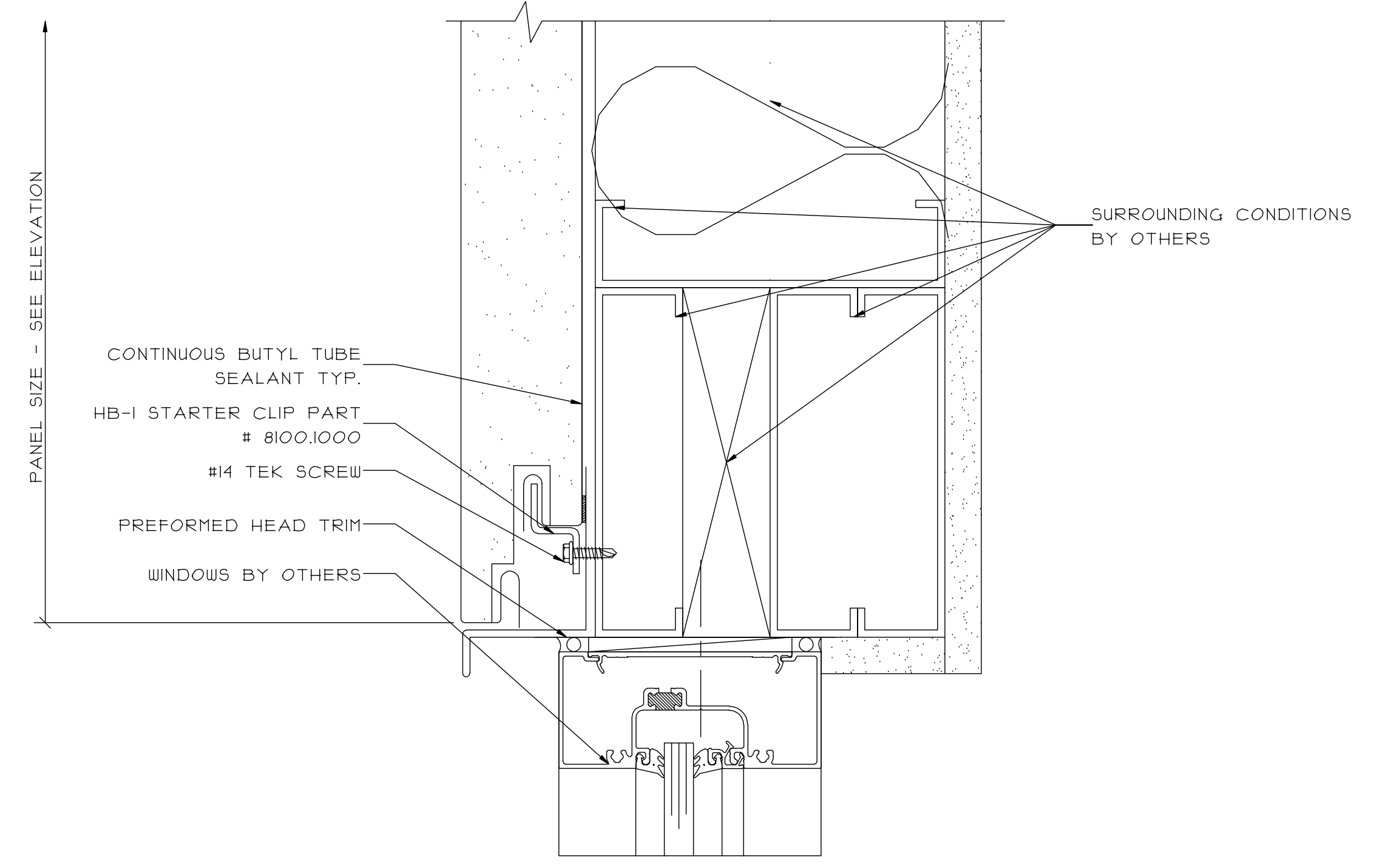
① DESIGN WALL HEAD
 @ WINDOW HEAD
 REF. 9/A4.02



② DETAIL DESCRIPTION



③ DETAIL DESCRIPTION
 REF. 8/A4.01



REVISIONS:	DATE:

GLAZING CONTRACTOR:
 SAMPLE SAMPLE SAMPLE
 SAMPLE SAMPLE SAMPLE
 SAMPLE SAMPLE SAMPLE
 SAMPLE SAMPLE SAMPLE
 SAMPLE SAMPLE SAMPLE

ARCHITECT:
 SAMPLE SAMPLE SAMPLE
 SAMPLE SAMPLE SAMPLE
 SAMPLE SAMPLE SAMPLE
 SAMPLE SAMPLE SAMPLE
 SAMPLE SAMPLE SAMPLE

PROJECT: SAMPLE SAMPLE SAMPLE
 LOCATION: SAMPLE SAMPLE SAMPLE

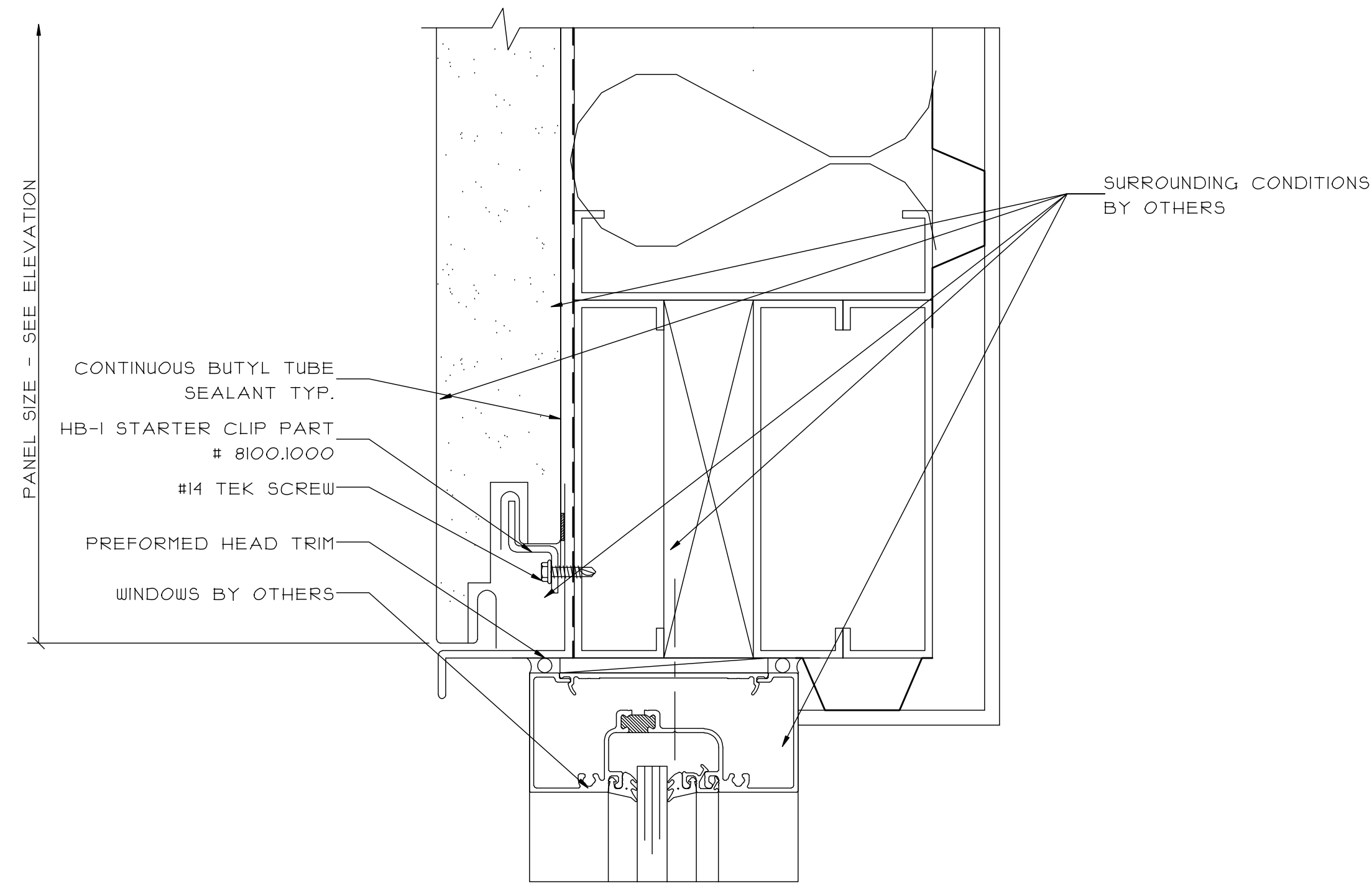
SCALE:
 6" = 1'-0"

DATE:
 SAMPLE

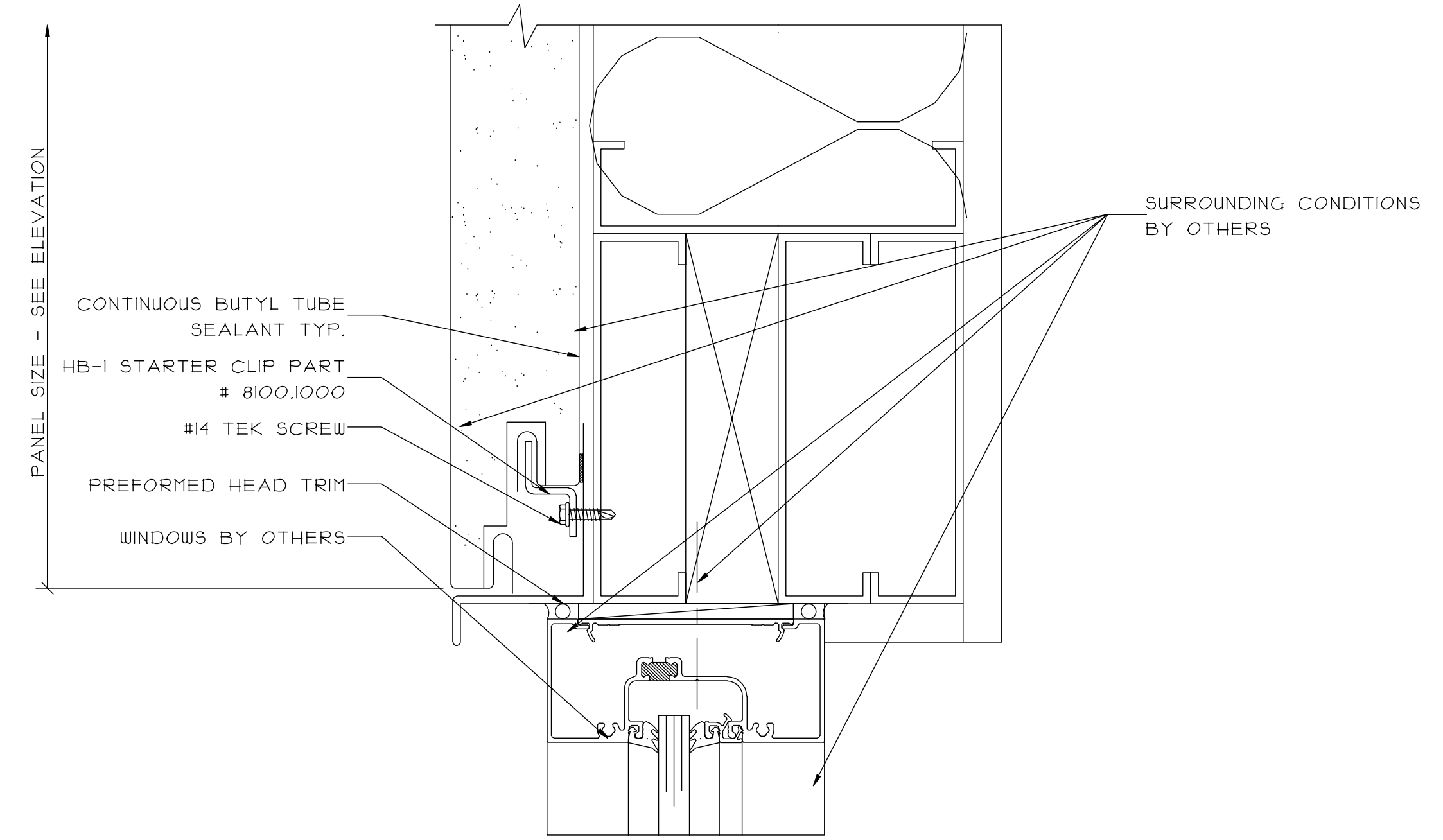
DRAWN:
 SAMPLE

PAGE:
 10 of 14

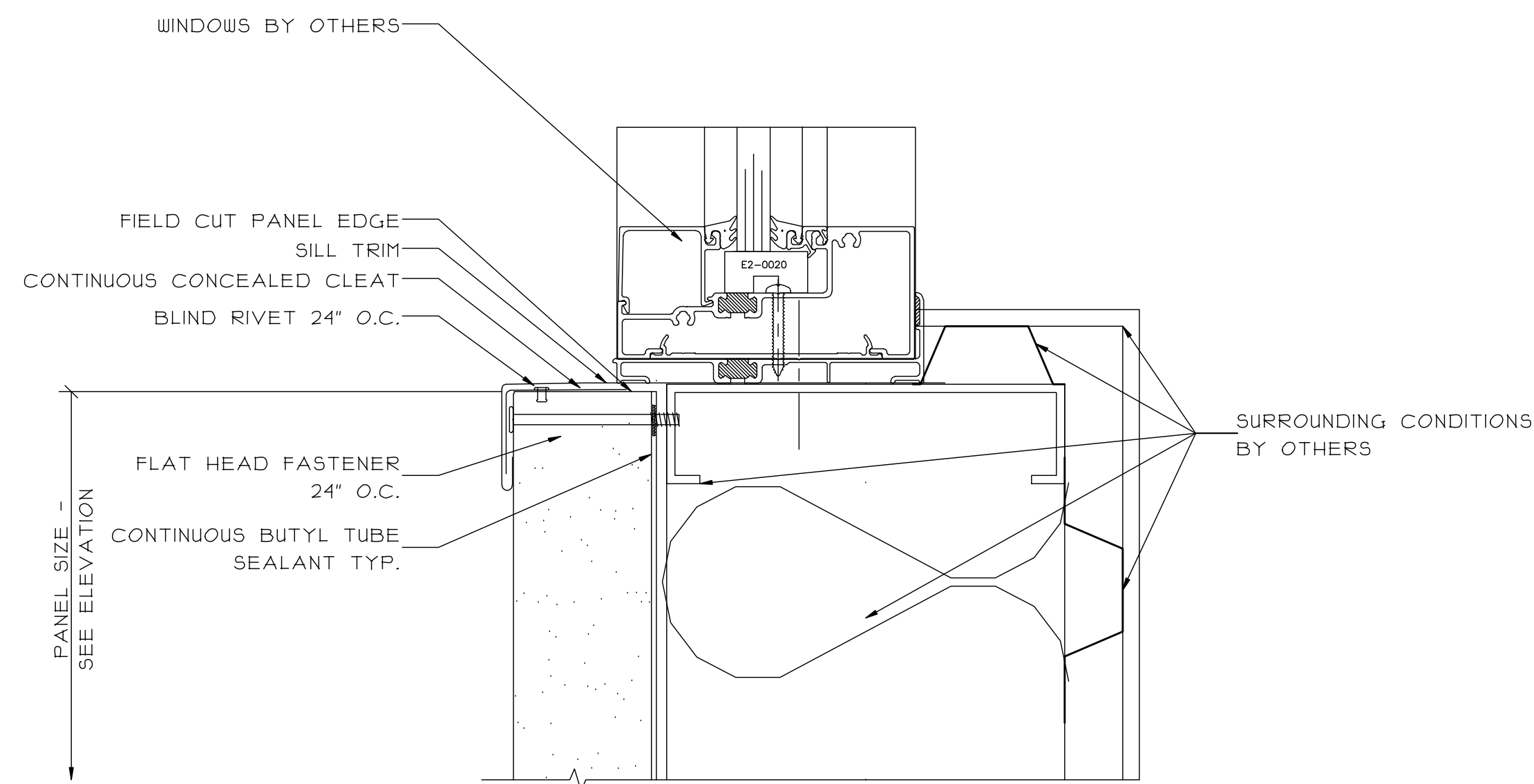
1 DESIGN PANEL @ WINDOW HEAD
REF. 3/A3.01



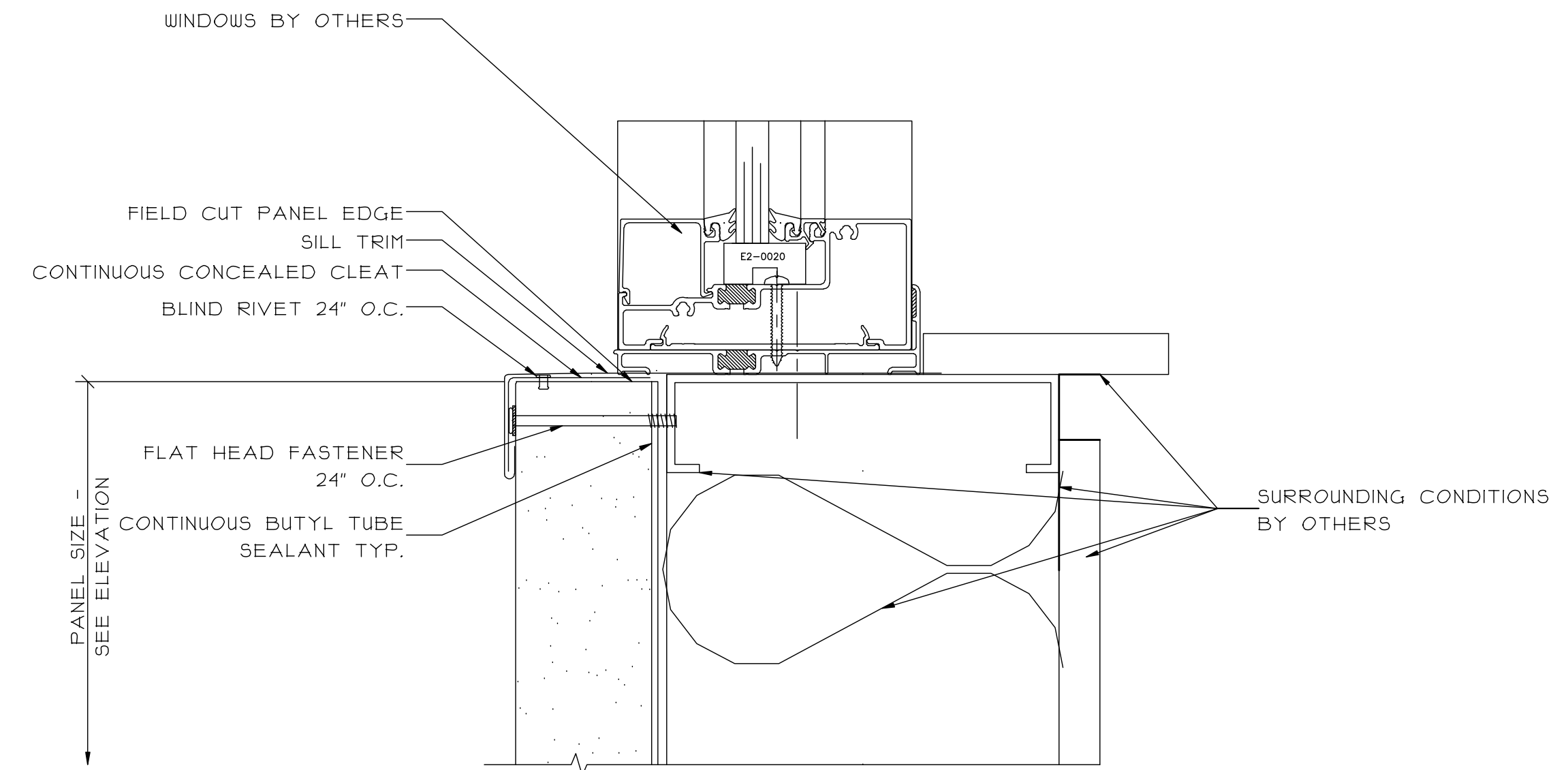
3 DESIGN PANEL @ WINDOW HEAD
REF. 8/A4.01



2 DESIGN PANEL @ WINDOW SILL
REF. 3/A3.01



4 DESIGN PANEL @ WINDOW SILL
REF. 9/A4.01



DATE:	
REVISIONS:	

GLAZING CONTRACTOR:	SAMPLE	SAMPLE	SAMPLE
	SAMPLE	SAMPLE	SAMPLE
	SAMPLE	SAMPLE	SAMPLE
	SAMPLE	SAMPLE	SAMPLE
	SAMPLE	SAMPLE	SAMPLE

ARCHITECT:	SAMPLE	SAMPLE	SAMPLE
	SAMPLE	SAMPLE	SAMPLE
	SAMPLE	SAMPLE	SAMPLE
	SAMPLE	SAMPLE	SAMPLE
	SAMPLE	SAMPLE	SAMPLE

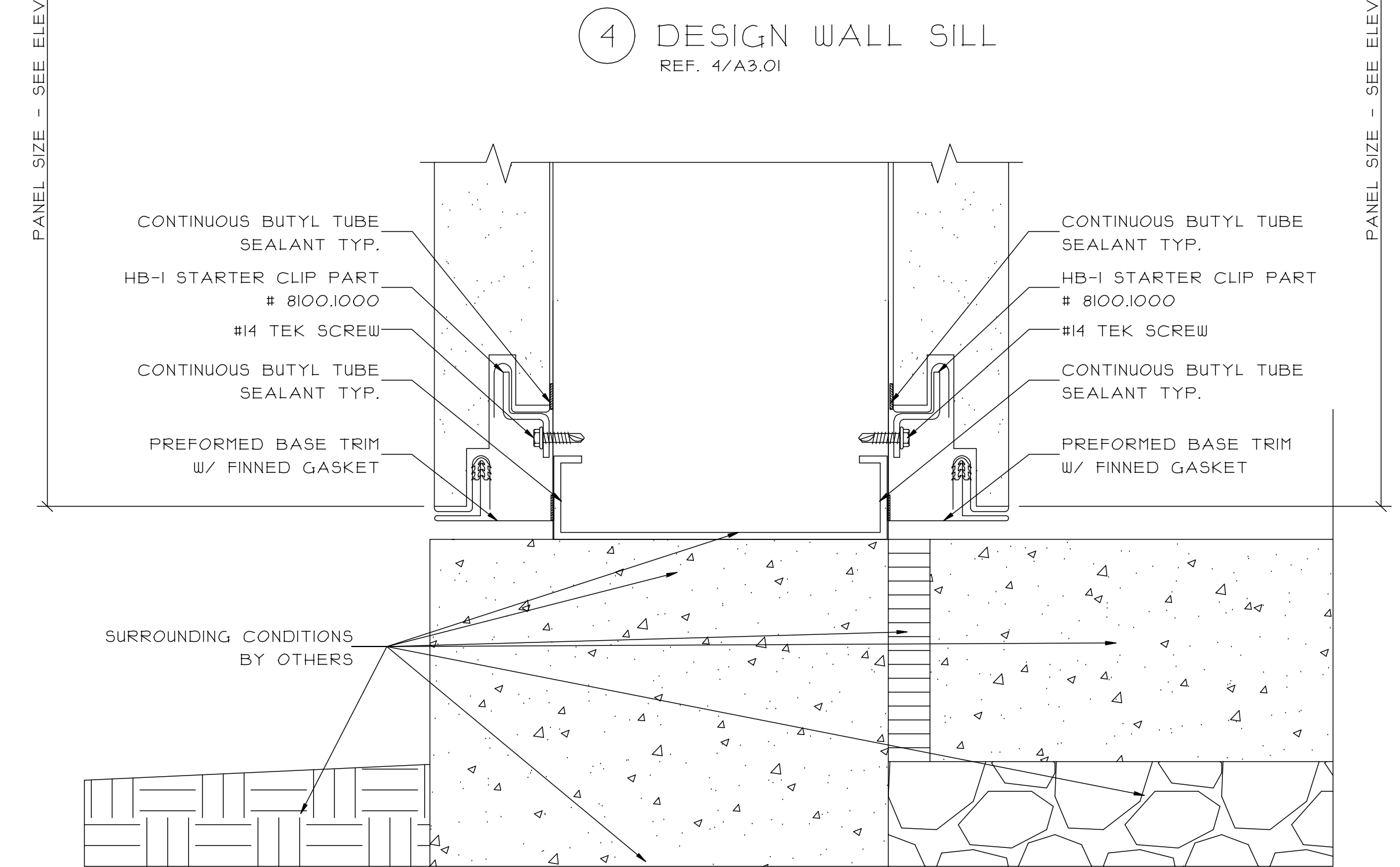
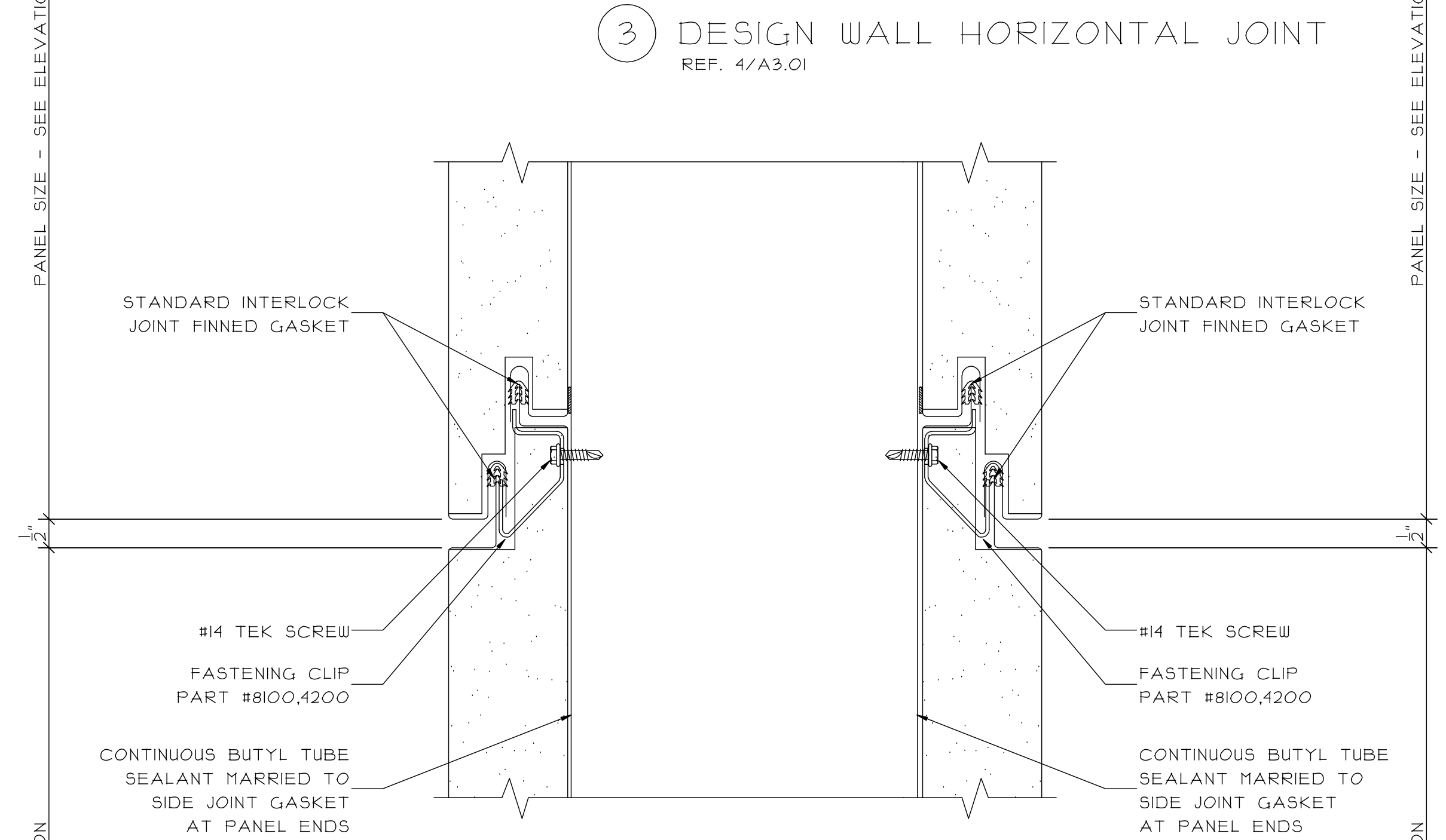
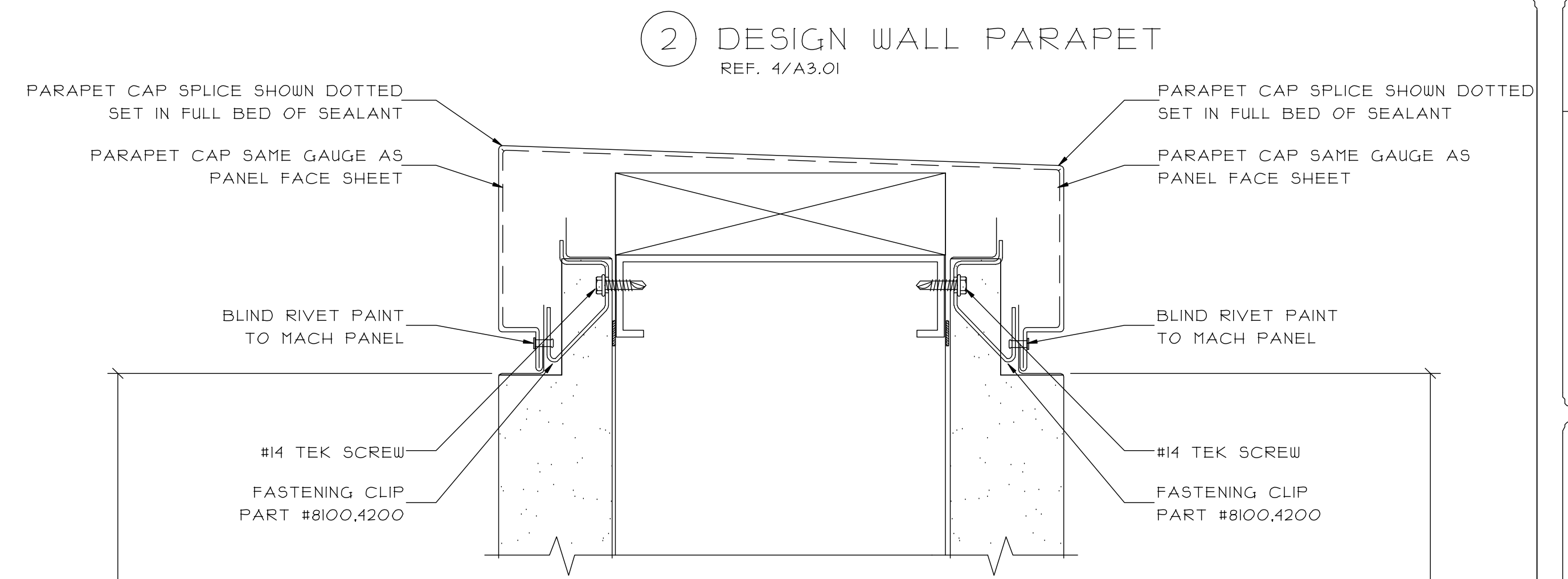
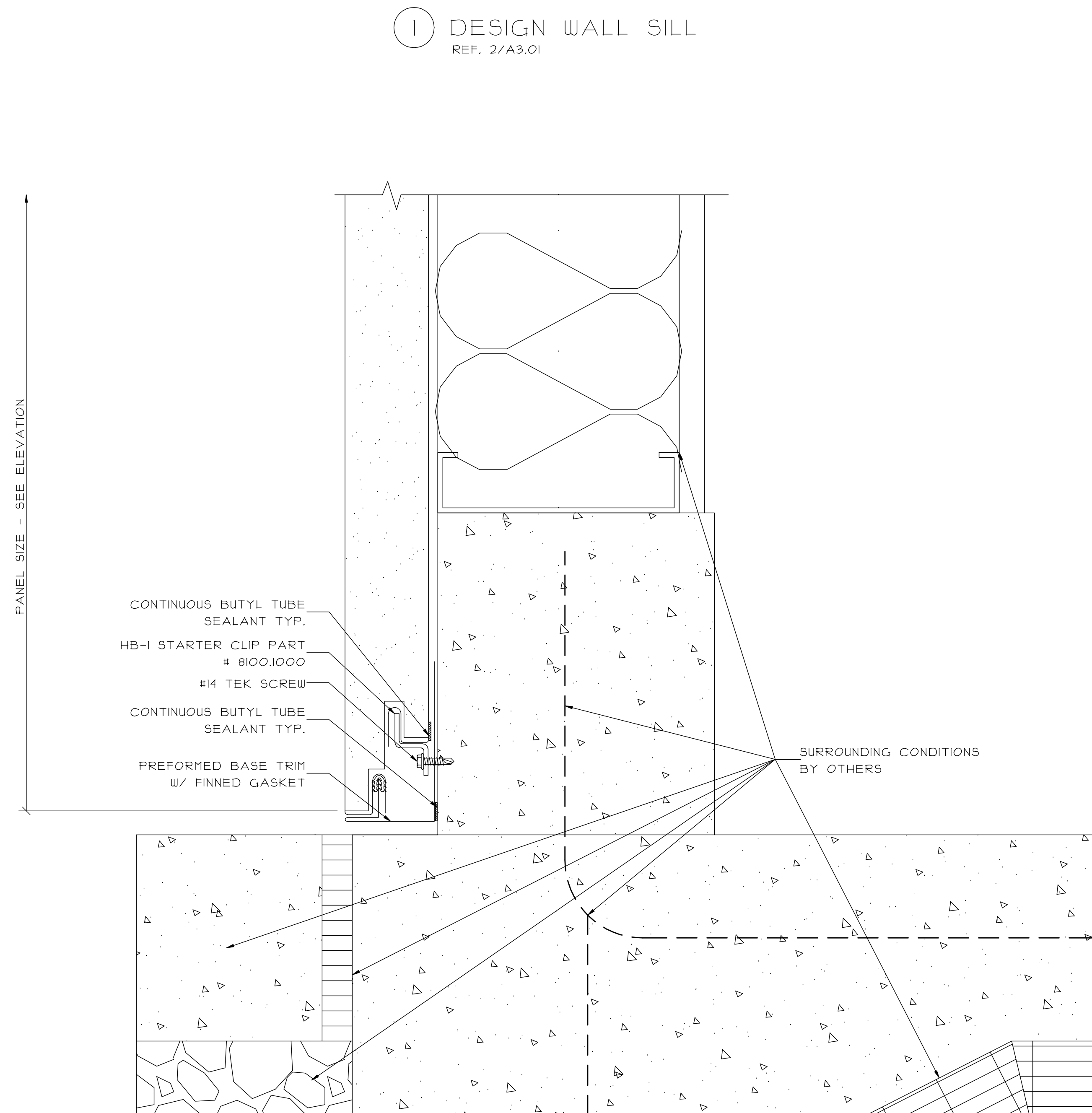
PROJECT:	SAMPLE	SAMPLE	SAMPLE
LOCATION:	SAMPLE	SAMPLE	SAMPLE

SCALE:
6" = 1'-0"

DATE:
SAMPLE

DRAWN:
SAMPLE

PAGE:
11 of 14



DATE:

REVISIONS:

GLAZING CONTRACTOR:

SAMPLE
SAMPLE
SAMPLE
SAMPLE
SAMPLE
SAMPLE

ARCHITECT:

SAMPLE
SAMPLE
SAMPLE
SAMPLE
SAMPLE
SAMPLE

PROJECT: SAMPLE SAMPLE SAMPLE

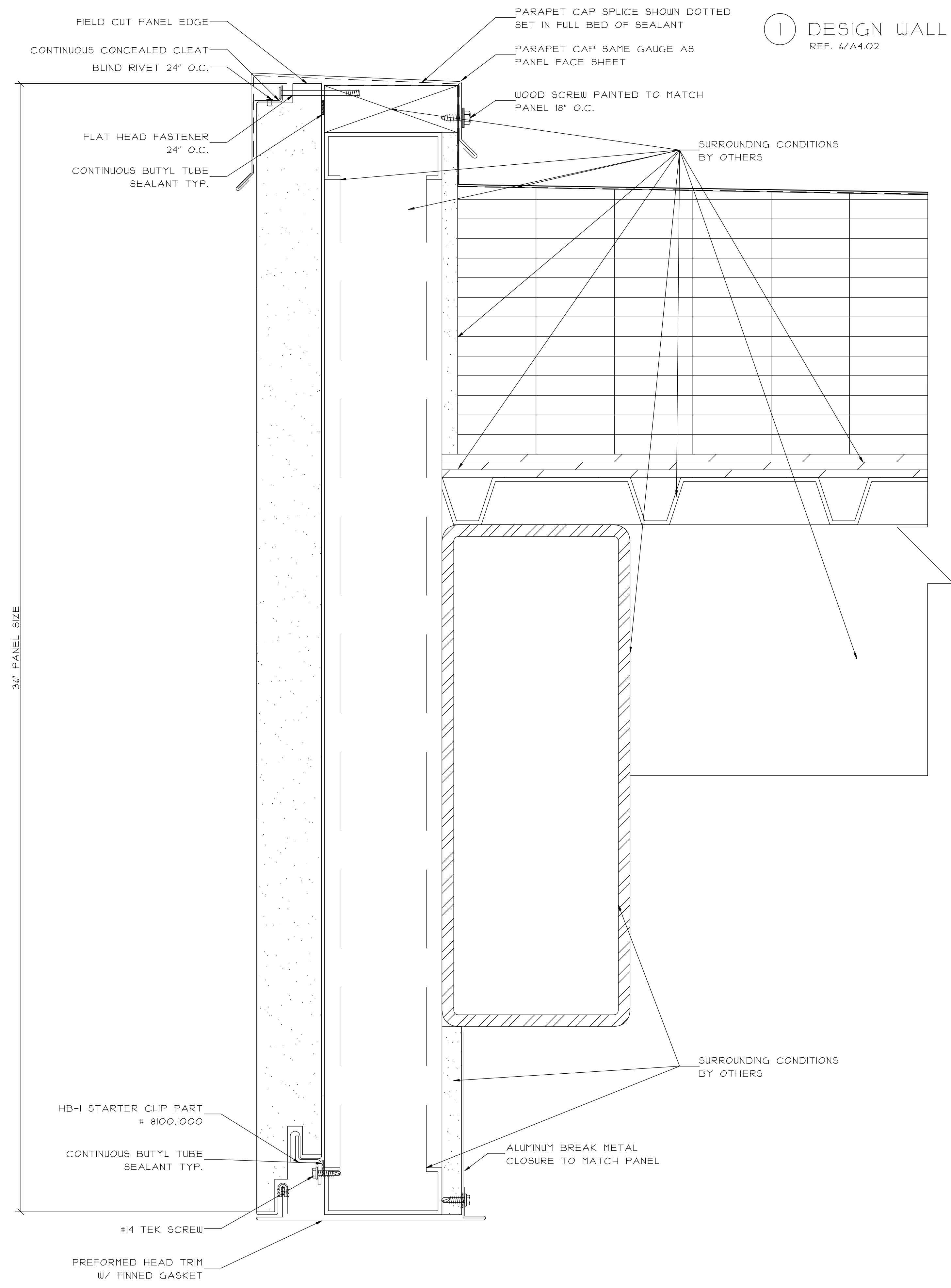
LOCATION: SAMPLE SAMPLE SAMPLE

SCALE:
6" = 1'-0"

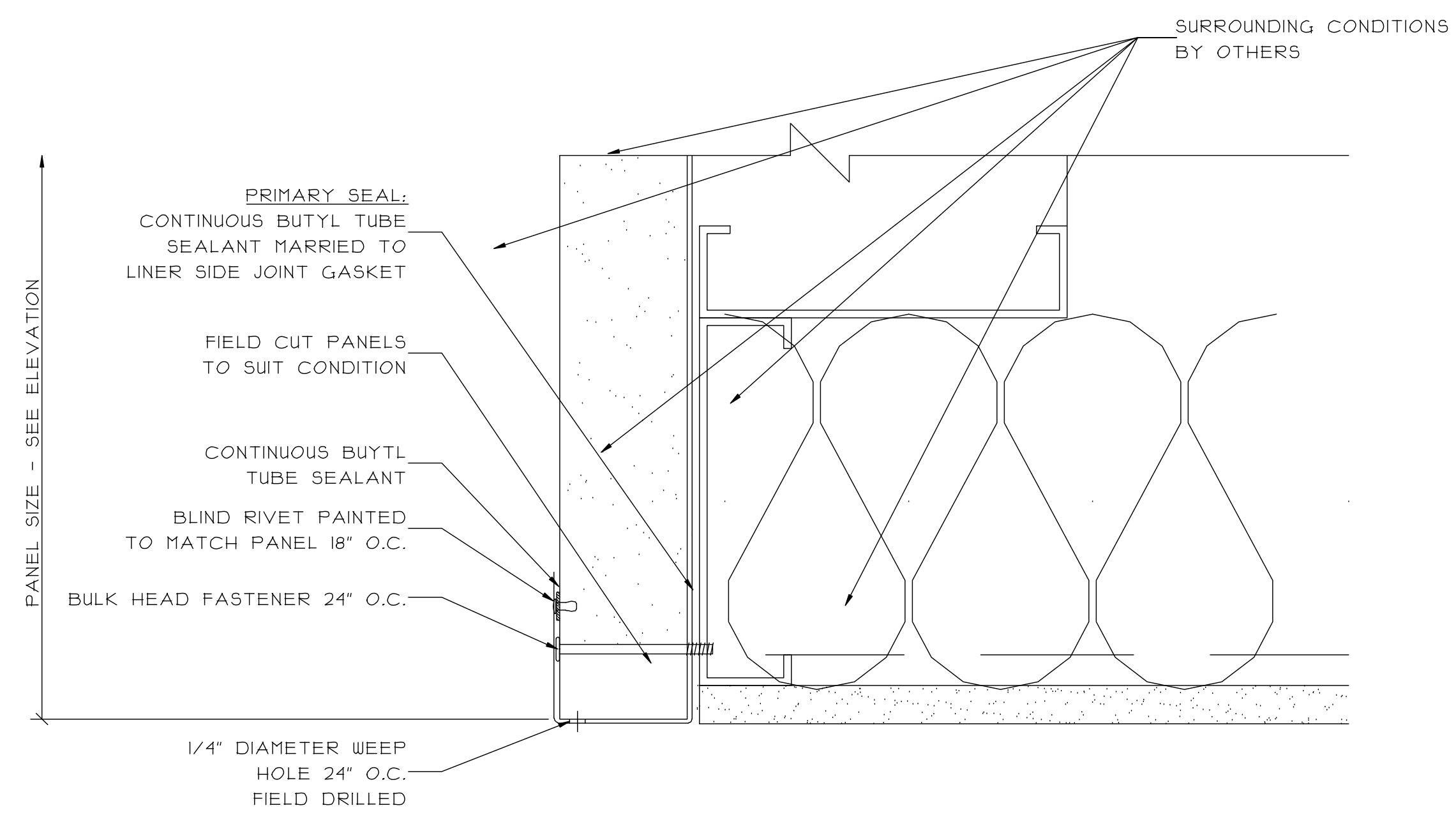
DATE:
SAMPLE

DRAWN:
SAMPLE

PAGE:
12 of 14



① DESIGN WALL PARAPET
REF. 6/A4.02



② DESIGN WALL SILL

36' PANEL SIZE

PANEL SIZE - SEE ELEVATION

REVISIONS:	DATE:

GLAZING CONTRACTOR:	SAMPLE	SAMPLE	SAMPLE
	SAMPLE	SAMPLE	SAMPLE
	SAMPLE	SAMPLE	SAMPLE
	SAMPLE	SAMPLE	SAMPLE
	SAMPLE	SAMPLE	SAMPLE

ARCHITECT:	SAMPLE	SAMPLE	SAMPLE
	SAMPLE	SAMPLE	SAMPLE
	SAMPLE	SAMPLE	SAMPLE
	SAMPLE	SAMPLE	SAMPLE
	SAMPLE	SAMPLE	SAMPLE

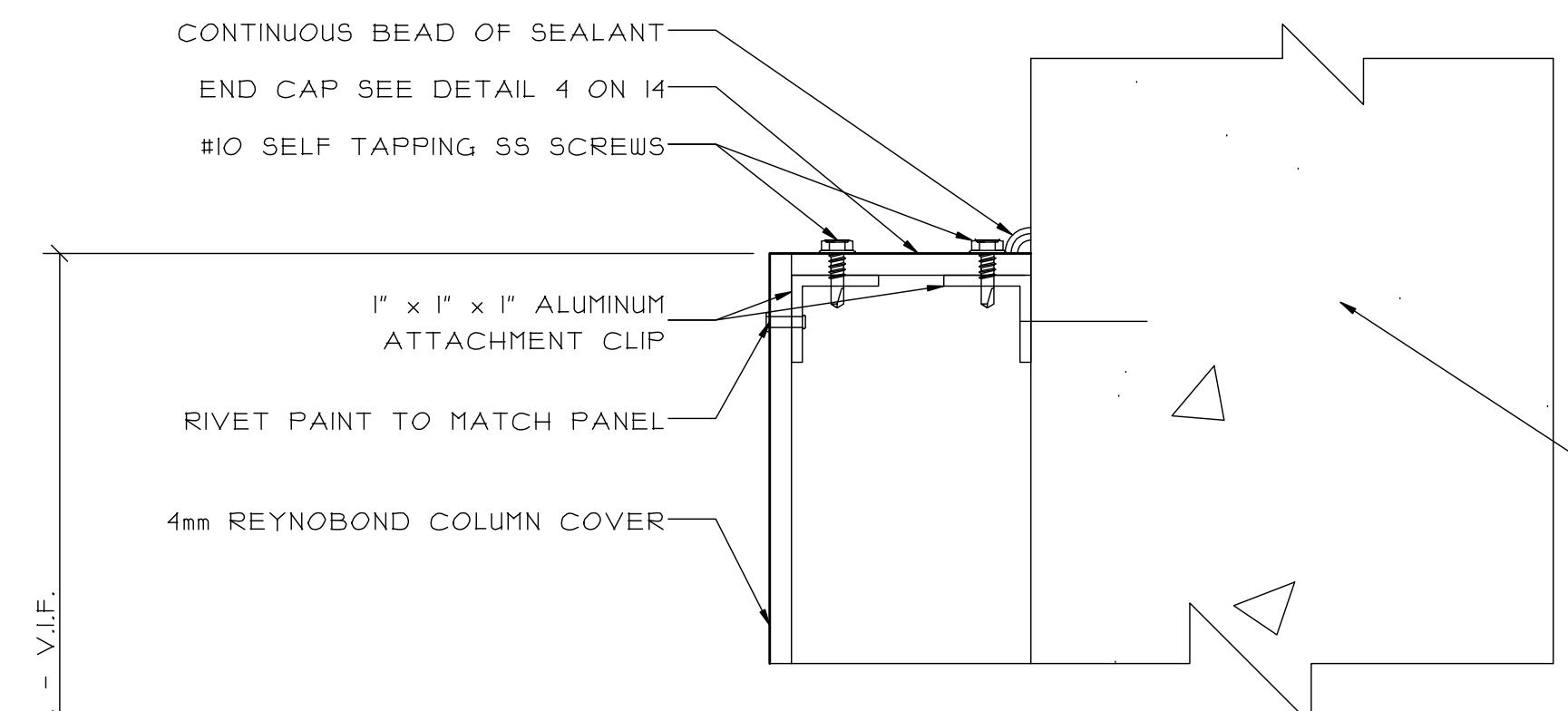
PROJECT:	SAMPLE	SAMPLE	SAMPLE
LOCATION:	SAMPLE	SAMPLE	SAMPLE

SCALE:	6" = 1'-0"
DATE:	SAMPLE
DRAWN:	SAMPLE
PAGE:	13 of 14

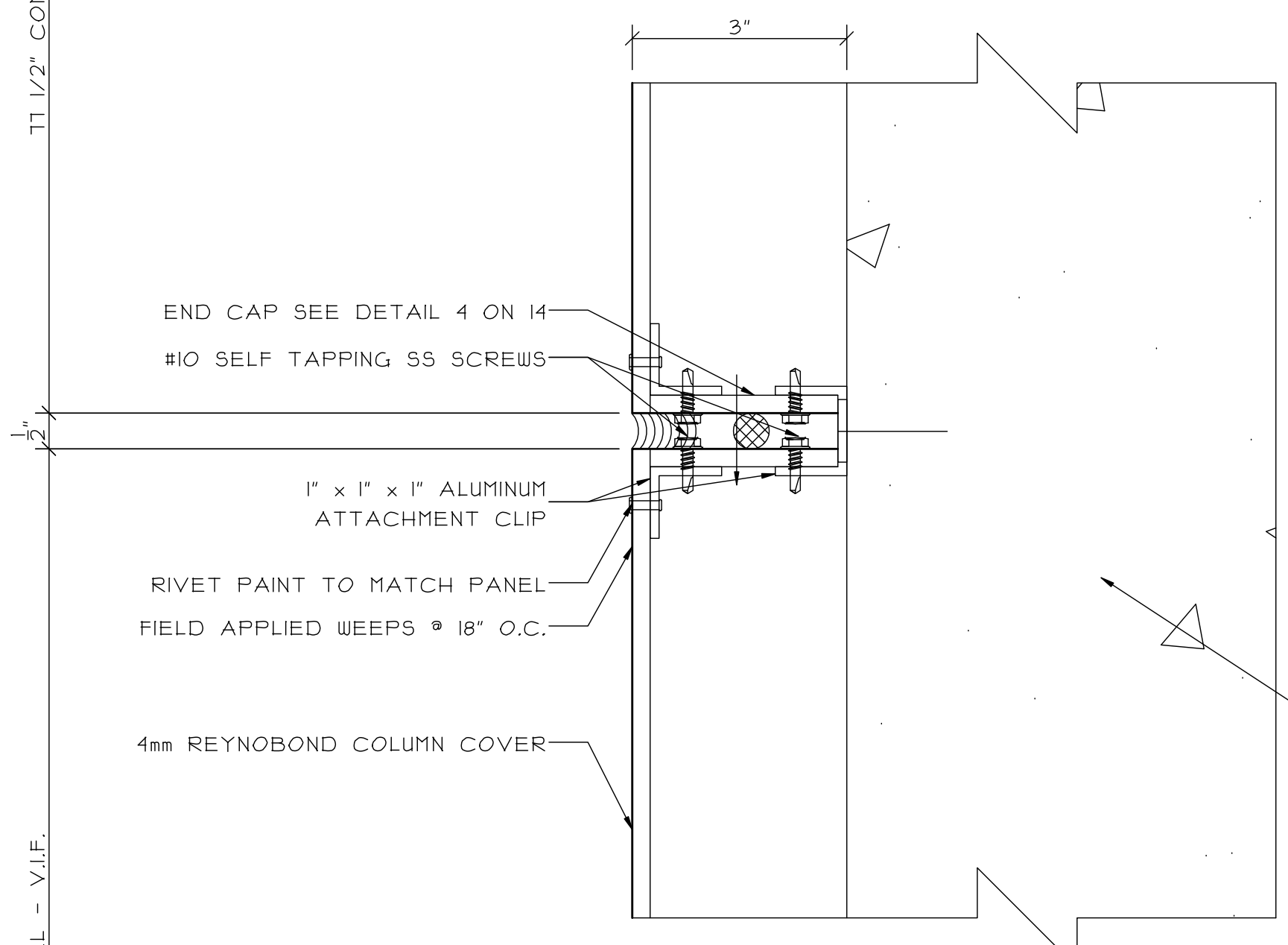
TI 1/2" COMPOSITE PANEL - V.I.F.

95 1/2" COMPOSITE PANEL - V.I.F.

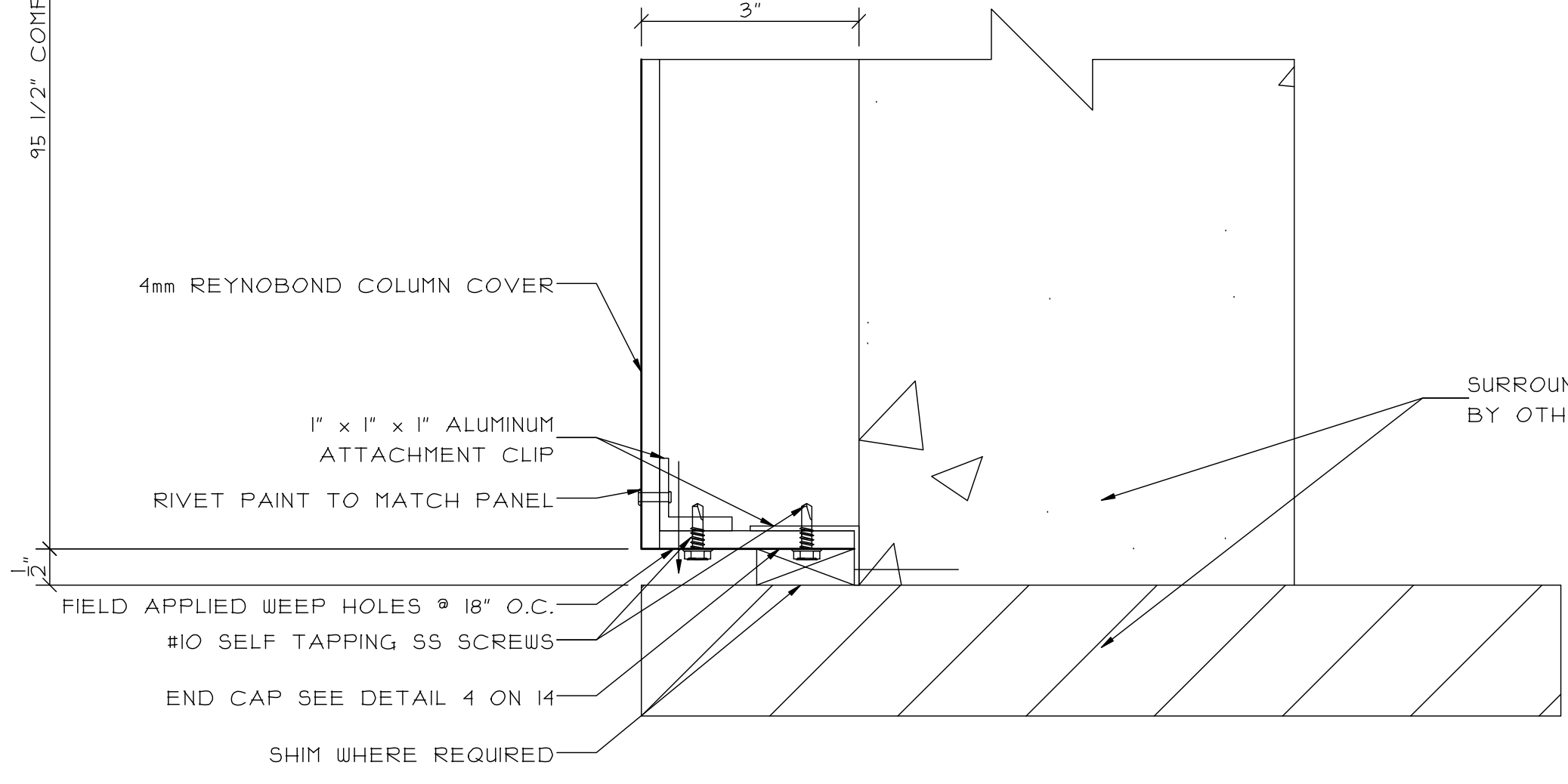
1 PANEL HEAD



2 PANEL HORIZONTAL JOINT



3 PANEL SILL



SURROUNDING CONDITIONS BY OTHERS

SURROUNDING CONDITIONS BY OTHERS

#10 SELF TAPPING SS SCREWS

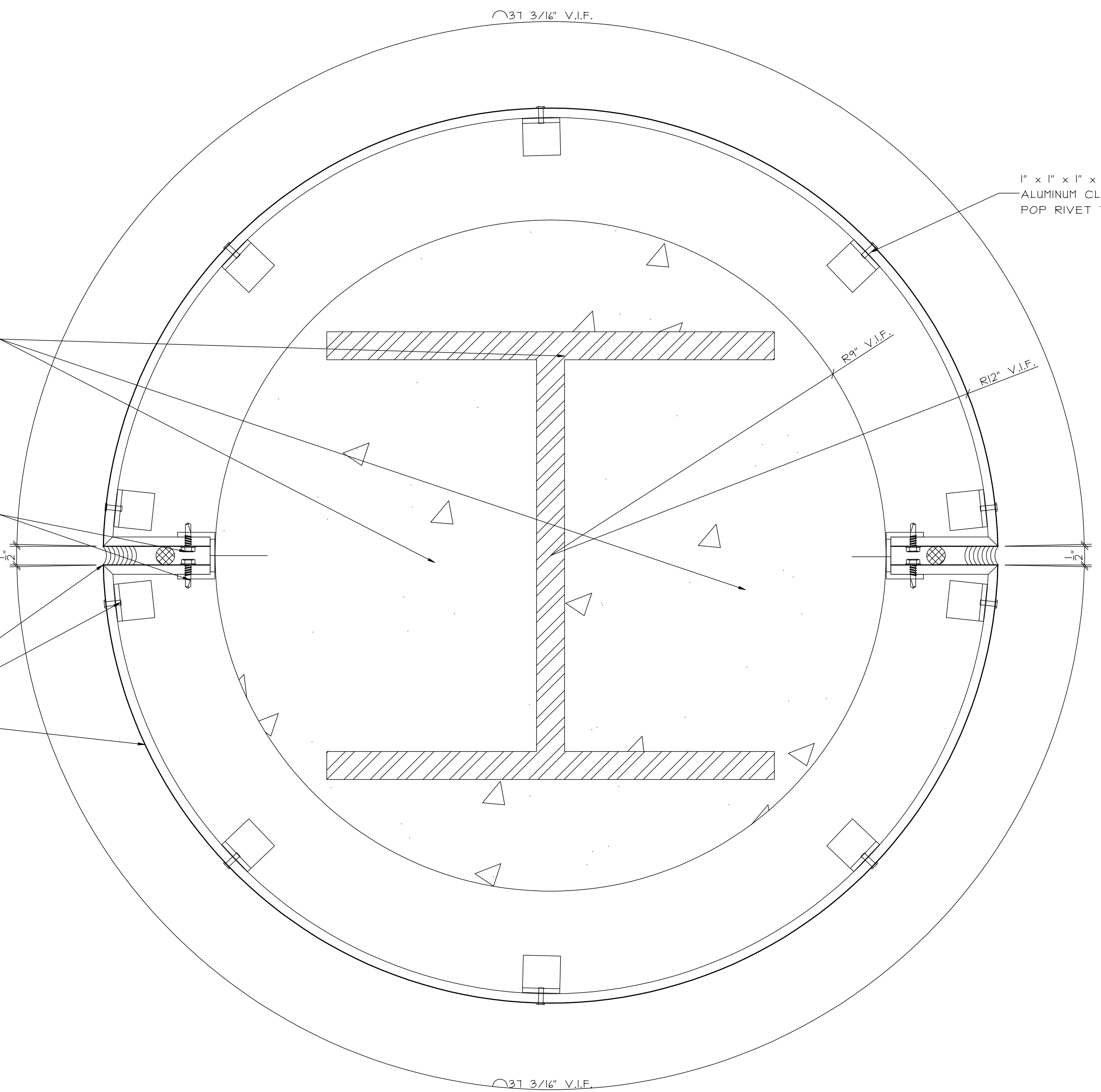
VERTICAL JOINT
1" x 1" x 1" ALUMINUM CLIP ANGLES
POP RIVET TO PANEL

4mm REYNOBOND COLUMN COVER

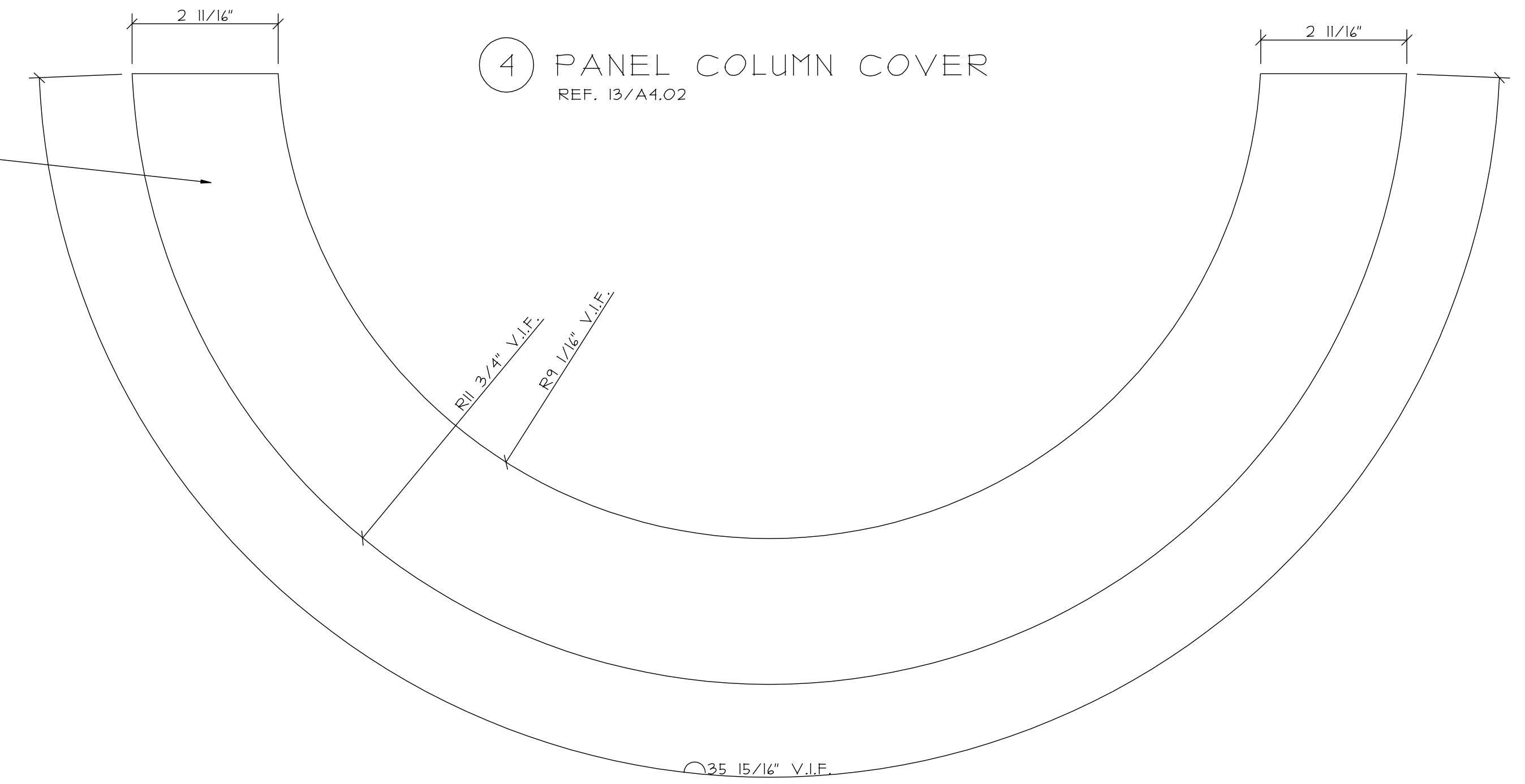
SURROUNDING CONDITIONS BY OTHERS

SURROUNDING CONDITIONS BY OTHERS

4mm REYNOBOND COLUMN COVER



4 PANEL COLUMN COVER REF. 13/A4.02



4 END CAP

35 15/16" V.I.F.

DATE:	
REVISIONS:	

GLAZING CONTRACTOR:	SAMPLE SAMPLE SAMPLE
	SAMPLE SAMPLE SAMPLE
	SAMPLE SAMPLE SAMPLE
	SAMPLE SAMPLE SAMPLE
	SAMPLE SAMPLE SAMPLE

ARCHITECT:	SAMPLE SAMPLE SAMPLE
	SAMPLE SAMPLE SAMPLE
	SAMPLE SAMPLE SAMPLE
	SAMPLE SAMPLE SAMPLE
	SAMPLE SAMPLE SAMPLE

PROJECT:	SAMPLE SAMPLE SAMPLE
LOCATION:	SAMPLE SAMPLE SAMPLE

SCALE:
6" = 1'-0"

DATE:
SAMPLE

DRAWN:
SAMPLE

PAGE:
14 of 14