

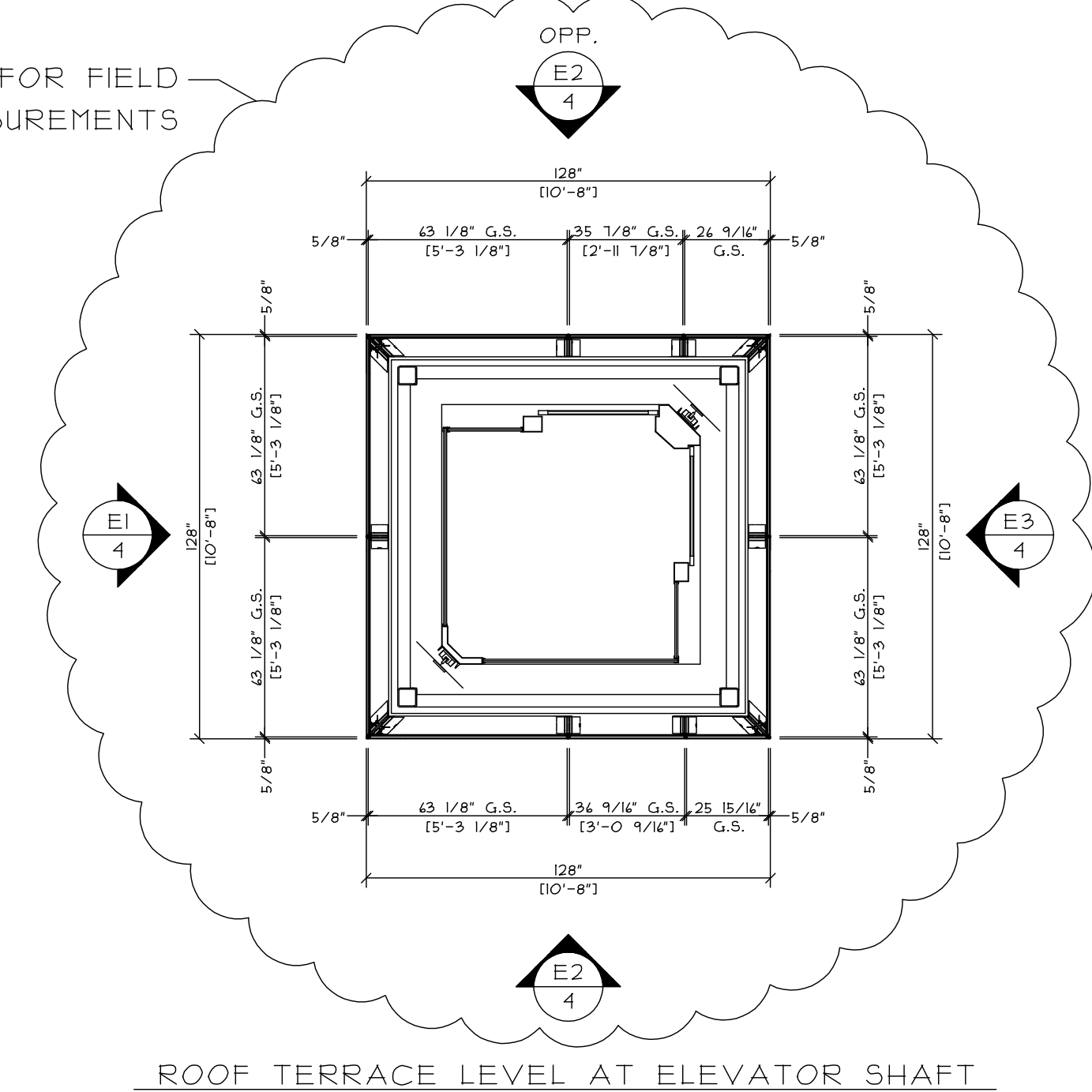
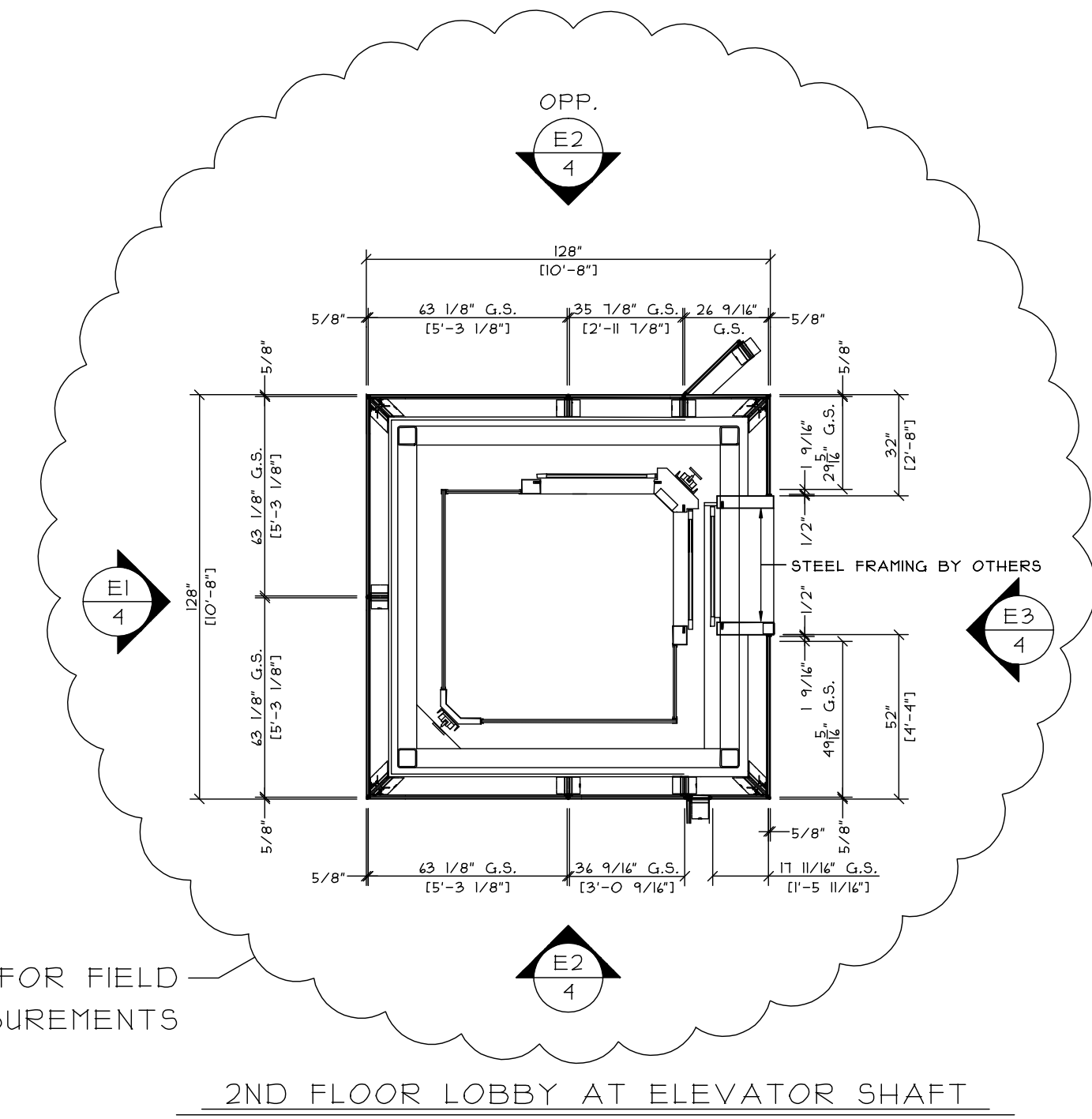
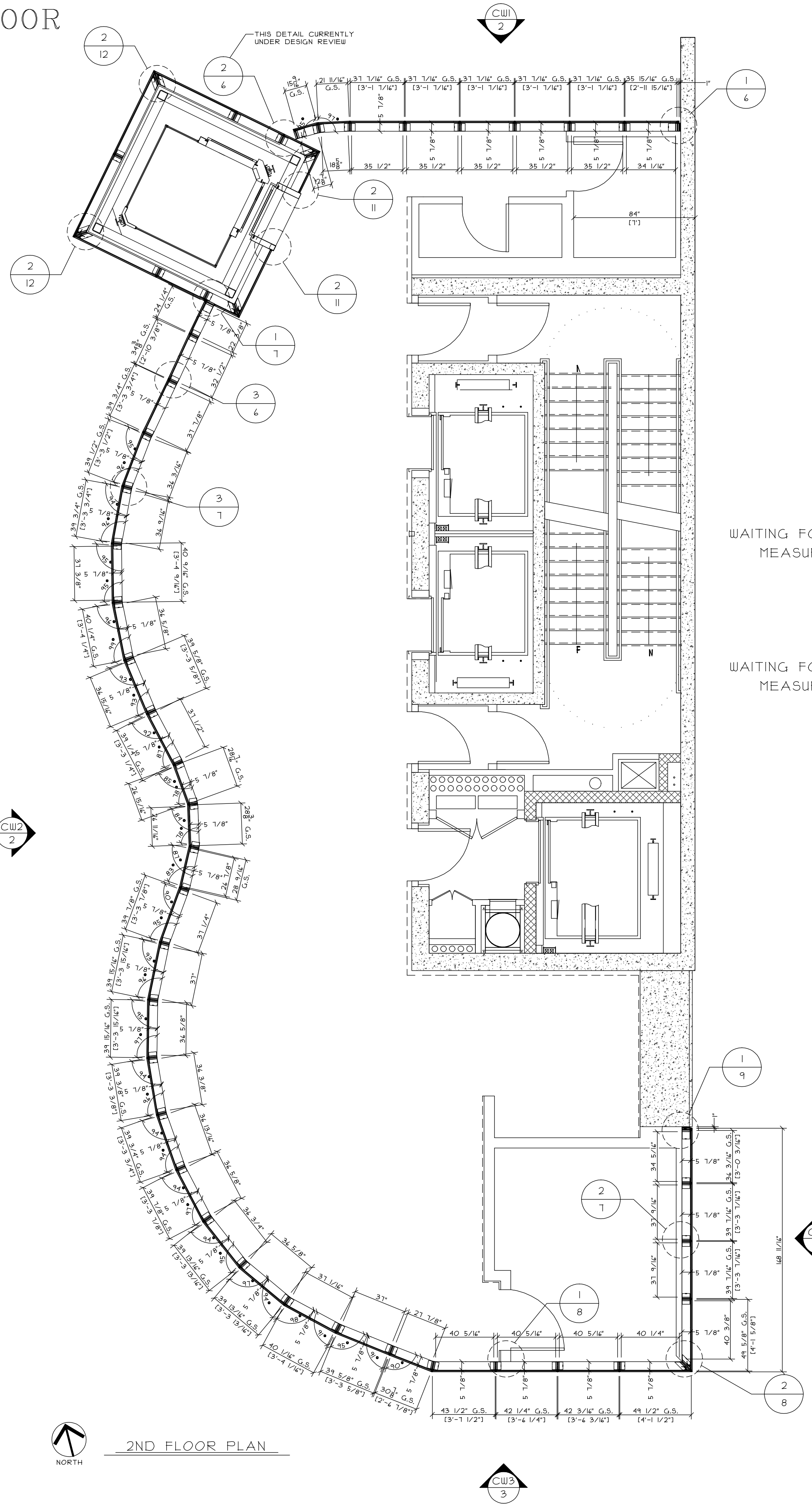
PROJECT TITLE

LOCATION

FOUR SIDED SSG CURTAIN WALL AT SECOND FLOOR

GENERAL NOTES:

I. GENERAL NOTES



REVISIONS:

NO.	DATE	DESCRIPTION

GLAZING CONTRACTOR:

SAMPLE	SAMPLE	SAMPLE
SAMPLE	SAMPLE	SAMPLE
SAMPLE	SAMPLE	SAMPLE
SAMPLE	SAMPLE	SAMPLE
SAMPLE	SAMPLE	SAMPLE

ARCHITECT:

SAMPLE	SAMPLE	SAMPLE
SAMPLE	SAMPLE	SAMPLE
SAMPLE	SAMPLE	SAMPLE
SAMPLE	SAMPLE	SAMPLE
SAMPLE	SAMPLE	SAMPLE

PROJECT: SAMPLE SAMPLE SAMPLE

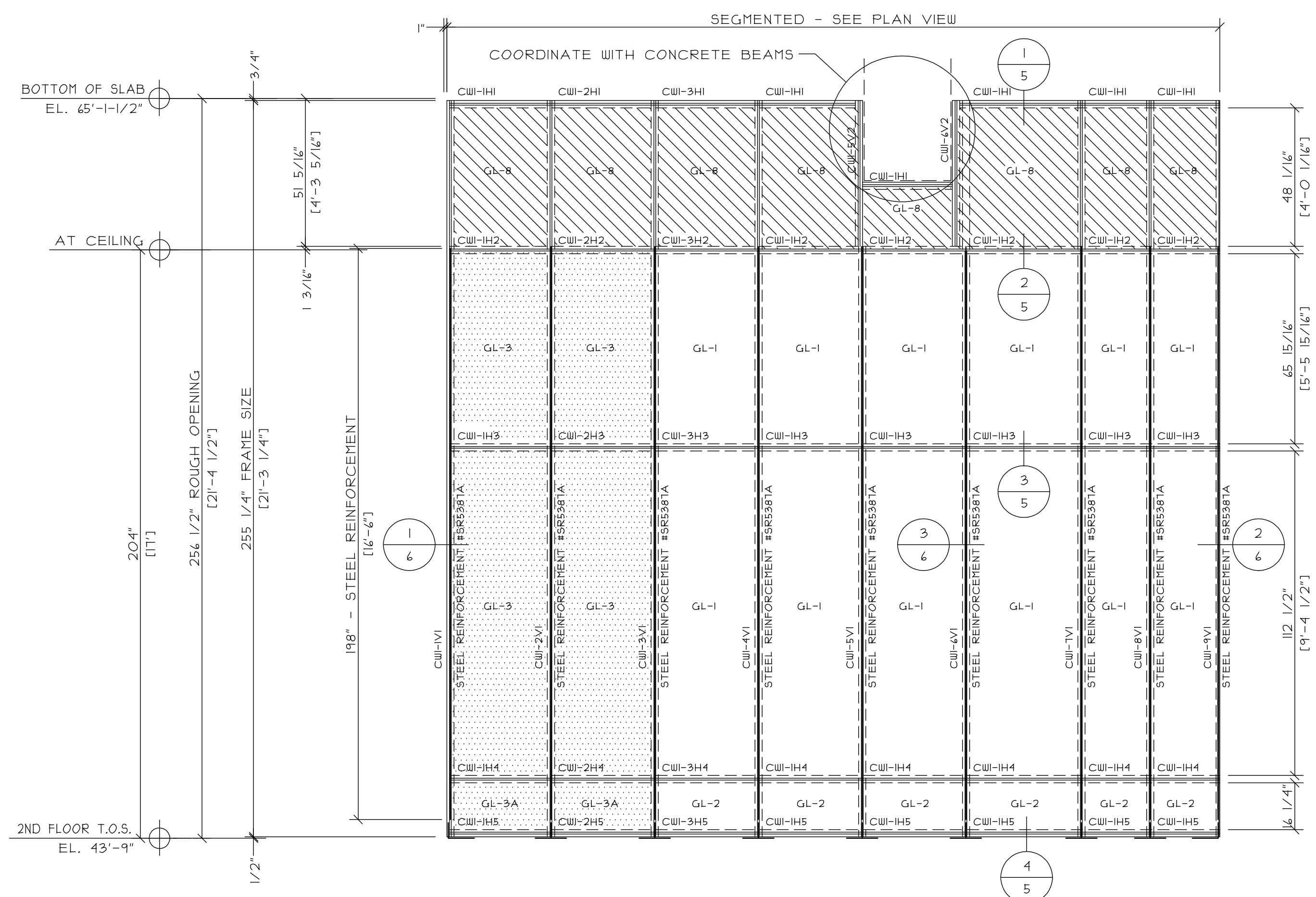
LOCATION: SAMPLE SAMPLE SAMPLE

SCALE: 1/4" = 1'-0"

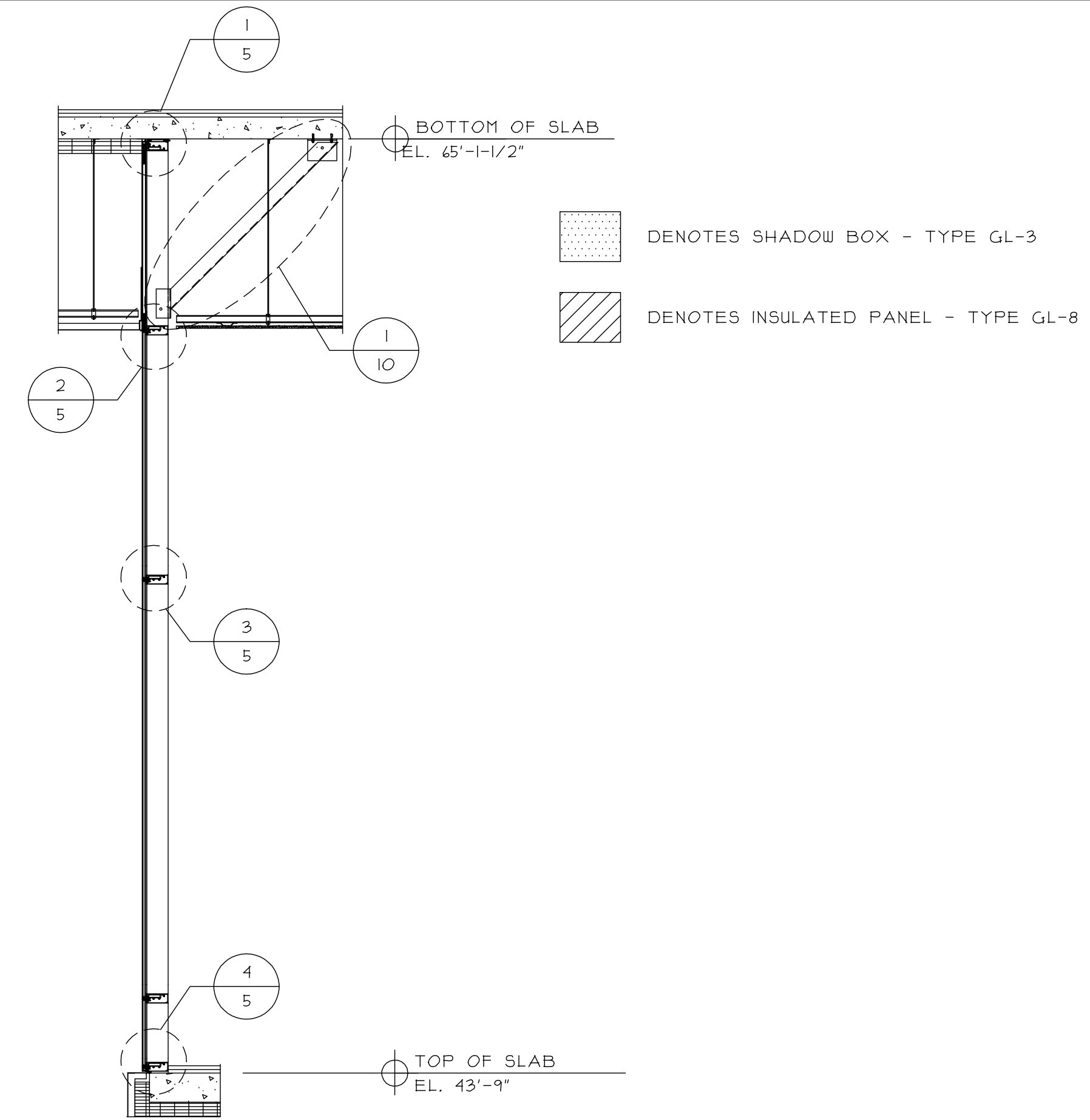
DATE: SAMPLE

DRAWN: SAMPLE

PAGE: 1 of 13

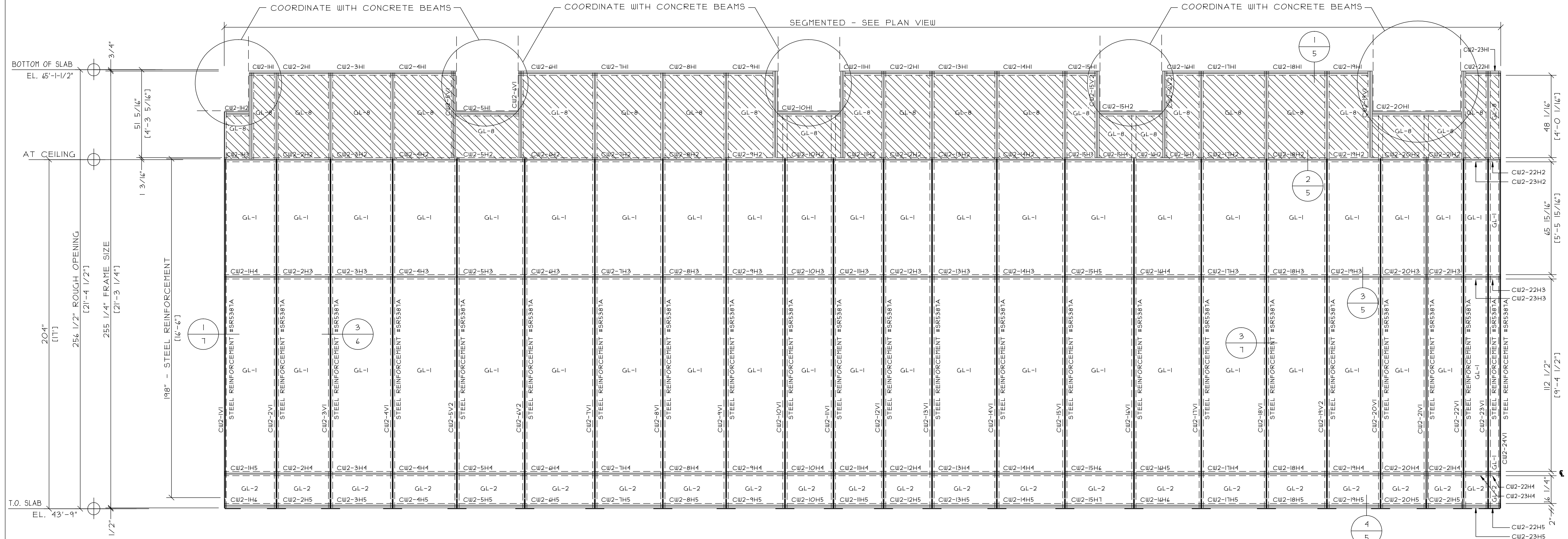


ELEVATION CWI (NORTH)
1 TOTAL
5900 SERIES 55G (8 INCH)

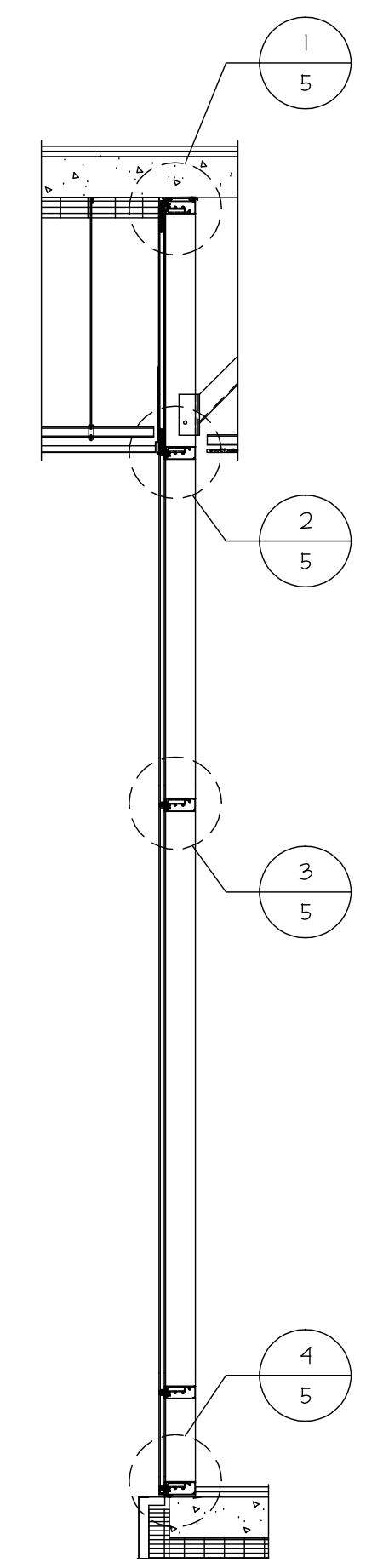


SECTION AT CWI

DENOTES SHADOW BOX - TYPE GL-3
 DENOTES INSULATED PANEL - TYPE GL-8

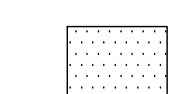
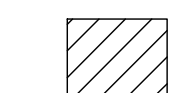


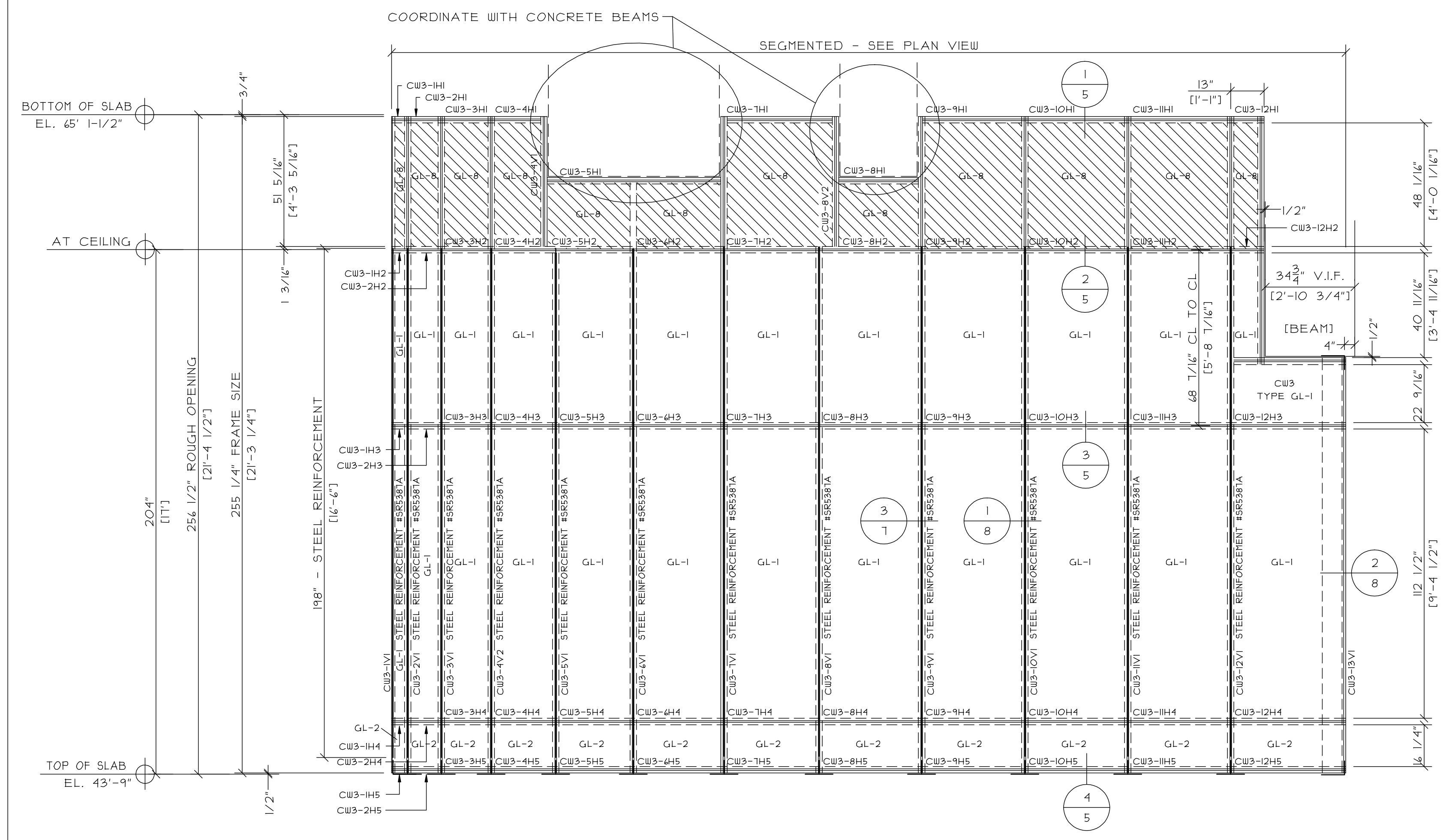
ELEVATION CW2 (WEST)
1 TOTAL
5900 SERIES 55G (8 INCH)



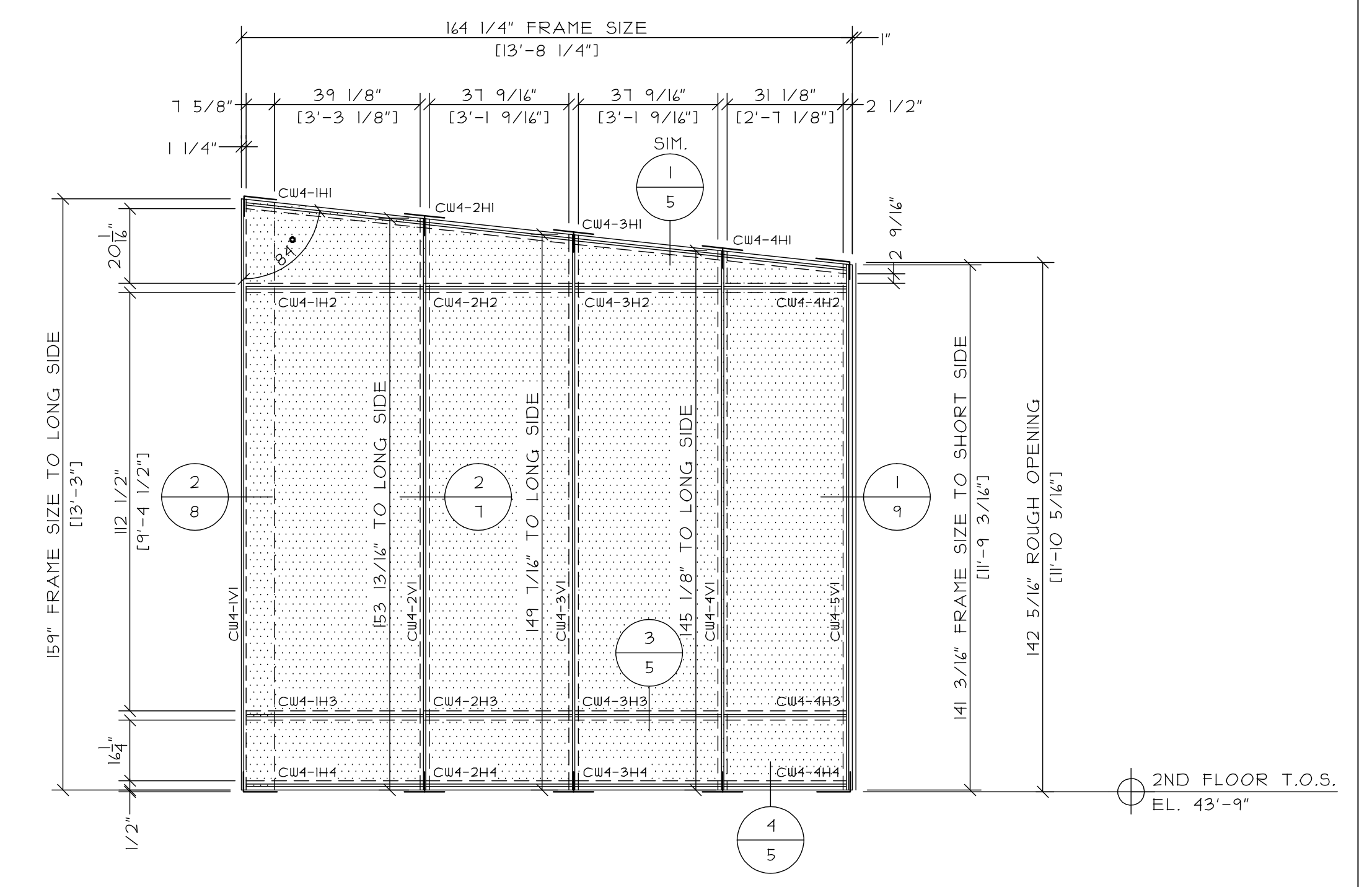
SECTION AT CW2

PROJECT:	SAMPLE SAMPLE SAMPLE
LOCATION:	SAMPLE SAMPLE SAMPLE
SCALE:	3/8" = 1'-0"
DATE:	SAMPLE
DRAWN:	SAMPLE
PAGE:	2 of 13
ARCHITECT:	SAMPLE SAMPLE SAMPLE SAMPLE SAMPLE SAMPLE SAMPLE SAMPLE SAMPLE SAMPLE SAMPLE SAMPLE
GLAZING CONTRACTOR:	SAMPLE SAMPLE SAMPLE SAMPLE SAMPLE SAMPLE SAMPLE SAMPLE SAMPLE SAMPLE SAMPLE SAMPLE
REVISIONS:	
DATE:	

 DENOTES SHADOW BOX - TYPE GL-3
 DENOTES INSULATED PANEL - TYPE GL-8



ELEVATION CW3 (SOUTH)
 1 TOTAL
 5900 SERIES SSG (8 INCH)



ELEVATION CW4 (EAST)
 1 TOTAL
 5900 SERIES SSG (8 INCH)
 FABRICATION - 12/16/2009

REVISIONS:

GLAZING CONTRACTOR:

SAMPLE	SAMPLE	SAMPLE
SAMPLE	SAMPLE	SAMPLE
SAMPLE	SAMPLE	SAMPLE
SAMPLE	SAMPLE	SAMPLE
SAMPLE	SAMPLE	SAMPLE

ARCHITECT:

SAMPLE	SAMPLE	SAMPLE
SAMPLE	SAMPLE	SAMPLE
SAMPLE	SAMPLE	SAMPLE
SAMPLE	SAMPLE	SAMPLE
SAMPLE	SAMPLE	SAMPLE

PROJECT: SAMPLE SAMPLE SAMPLE

LOCATION: SAMPLE SAMPLE SAMPLE

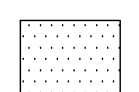


SCALE:
3/8" = 1'-0"

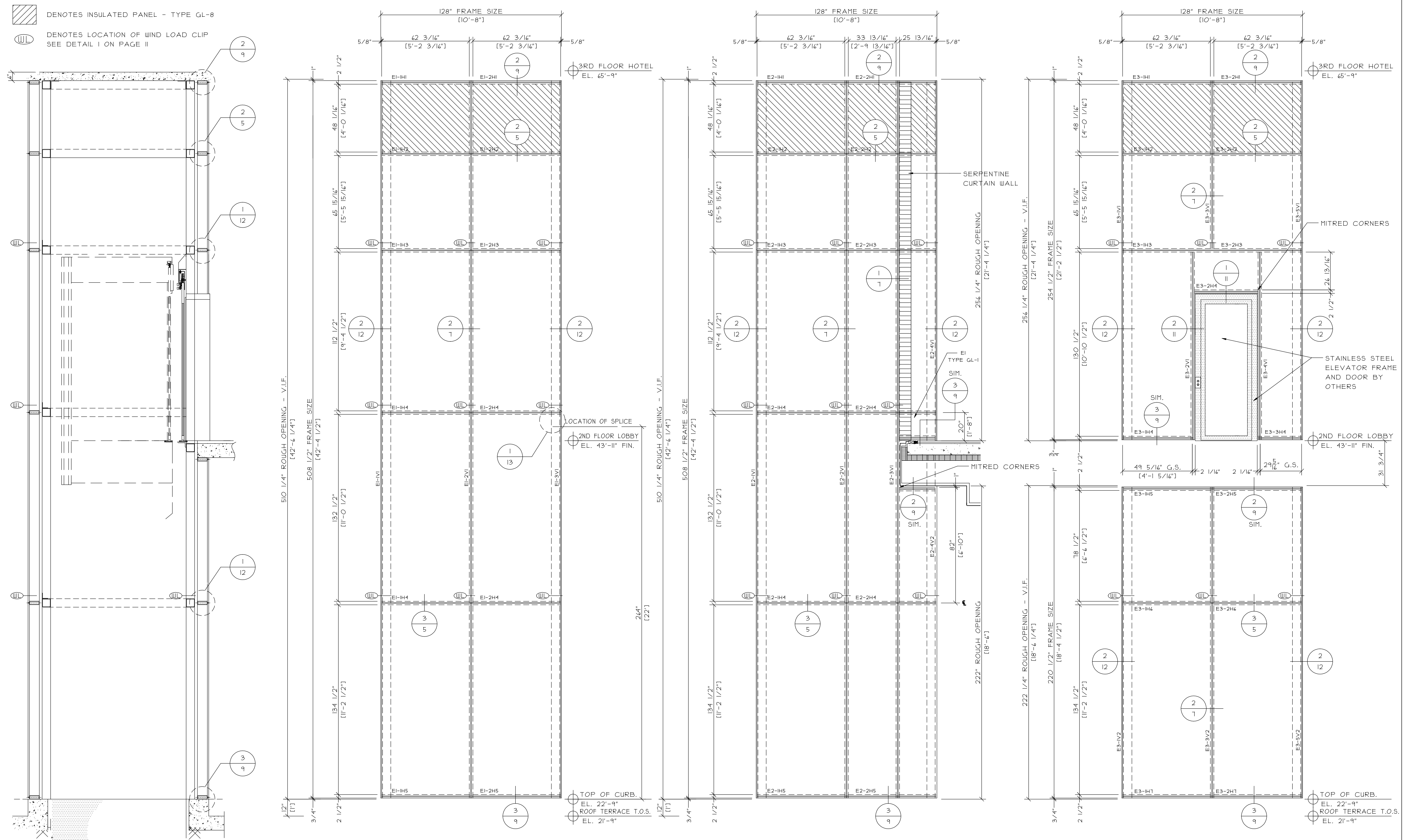
DATE:
SAMPLE

DRAWN:
SAMPLE

PAGE:
3 of 13

DATE:

-  DENOTES SHADOW BOX - TYPE GL-3
-  DENOTES INSULATED PANEL - TYPE GL-8
-  DENOTES LOCATION OF WIND LOAD CLIP
SEE DETAIL 1 ON PAGE II



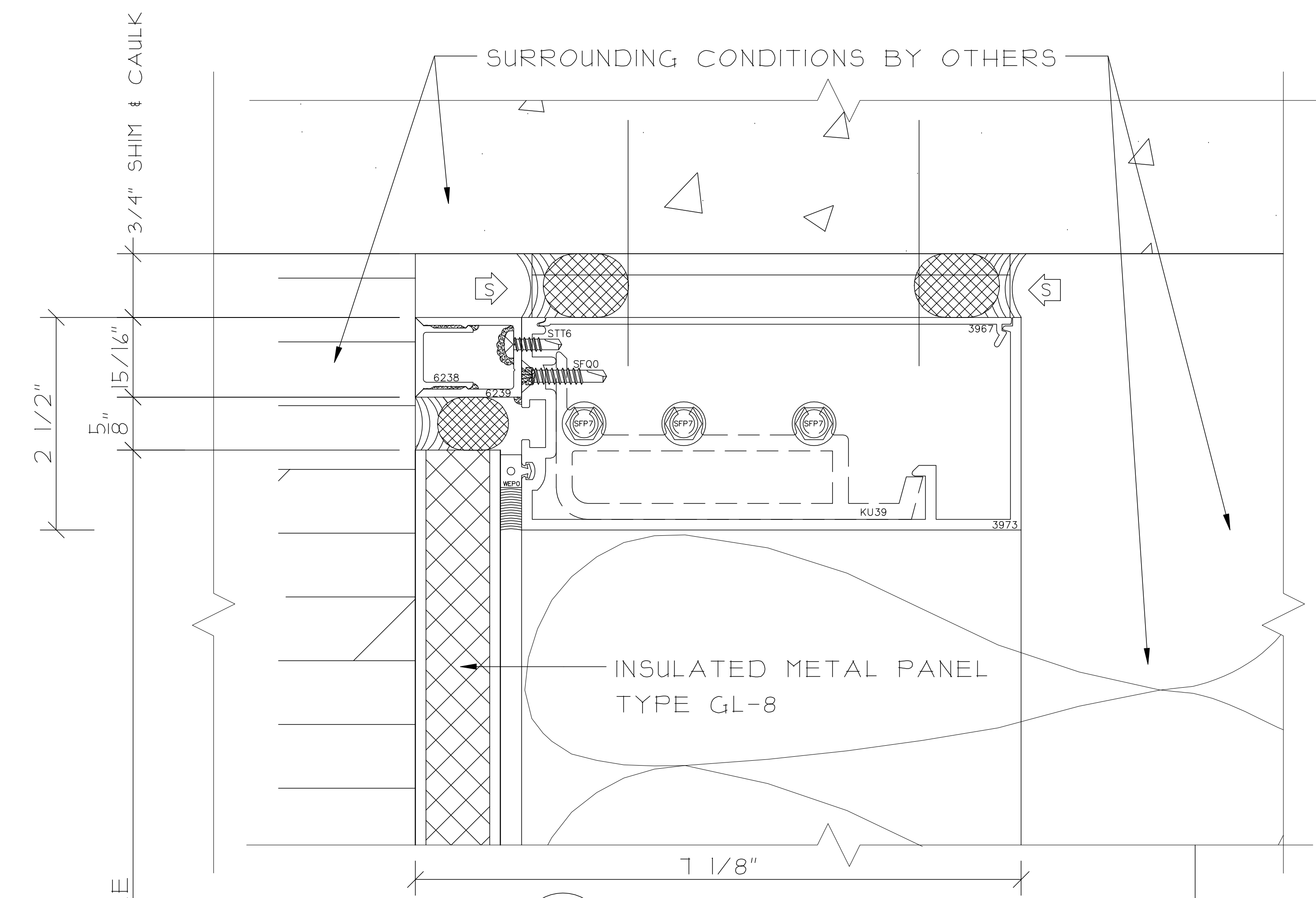
SECTION AT ELEVATOR SHAFT

ELEVATION E1
1 TOTAL AT ELEVATOR SHAFT
5900 SERIES SSG (8 INCH)

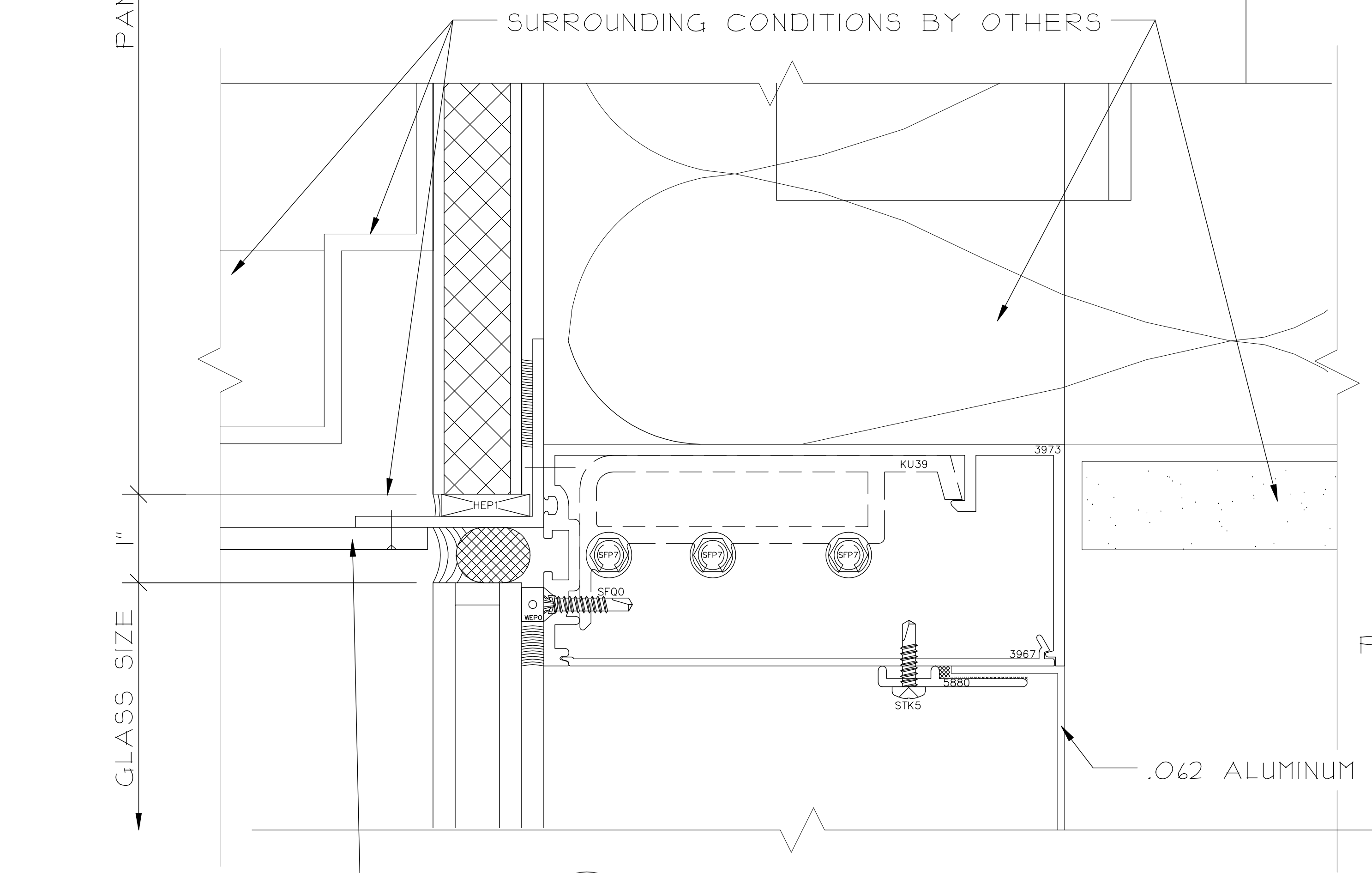
ELEVATION E2
1 THUS / 1 OPPOSITE AT ELEVATOR SHAFT
5900 SERIES SSG (8 INCH)

ELEVATION E3
1 TOTAL AT ELEVATOR SHAFT
5900 SERIES SSG (8 INCH)

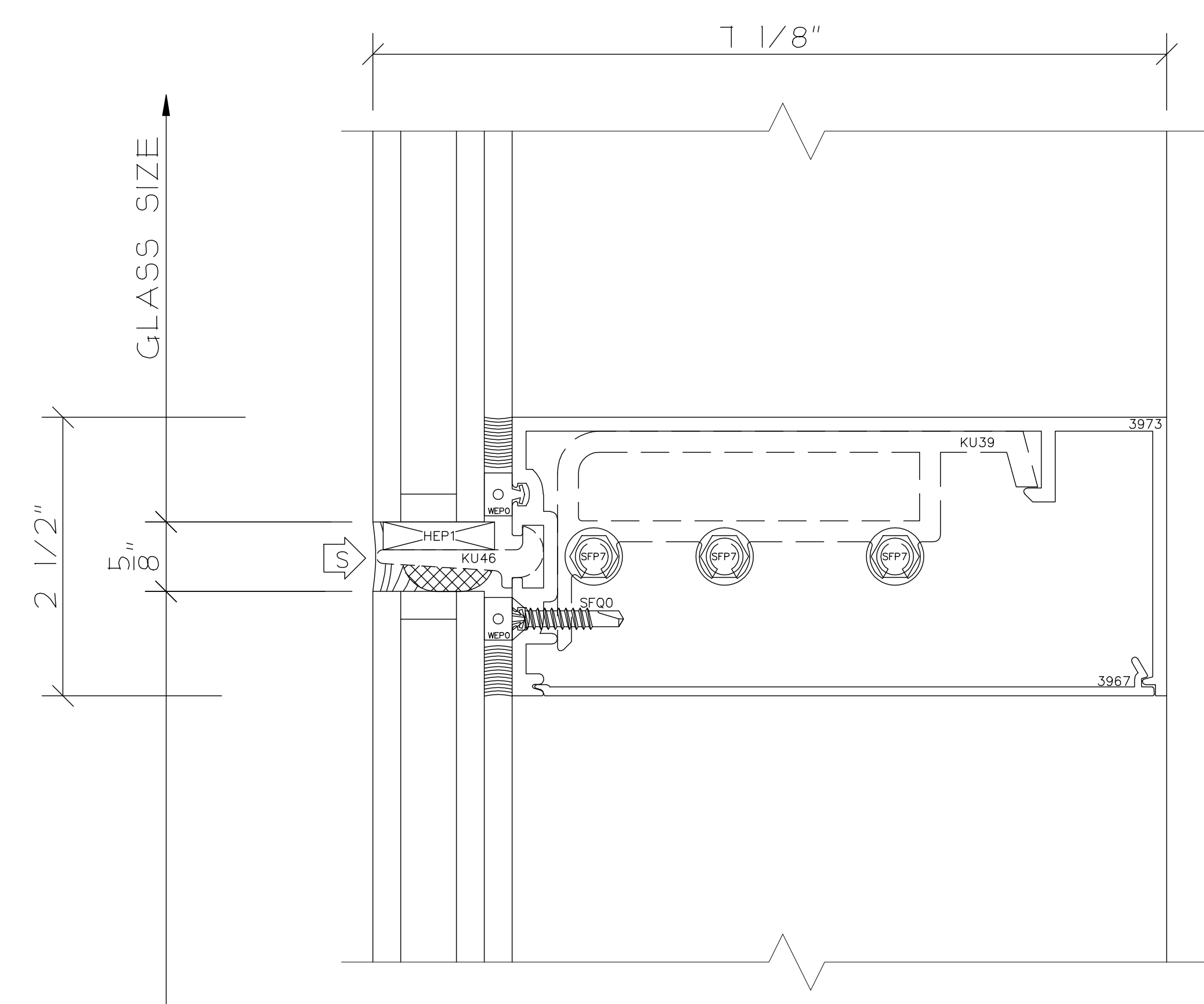
PROJECT: SAMPLE SAMPLE SAMPLE	ARCHITECT: SAMPLE SAMPLE SAMPLE SAMPLE SAMPLE SAMPLE SAMPLE SAMPLE SAMPLE SAMPLE SAMPLE SAMPLE	GLAZING CONTRACTOR: SAMPLE SAMPLE SAMPLE SAMPLE SAMPLE SAMPLE SAMPLE SAMPLE SAMPLE SAMPLE SAMPLE SAMPLE	REVISIONS:	DATE:
LOCATION: SAMPLE SAMPLE SAMPLE				
SCALE: 3/8" = 1'-0"		DATE: SAMPLE		
DRAWN: SAMPLE		PAGE: 4 of 13		



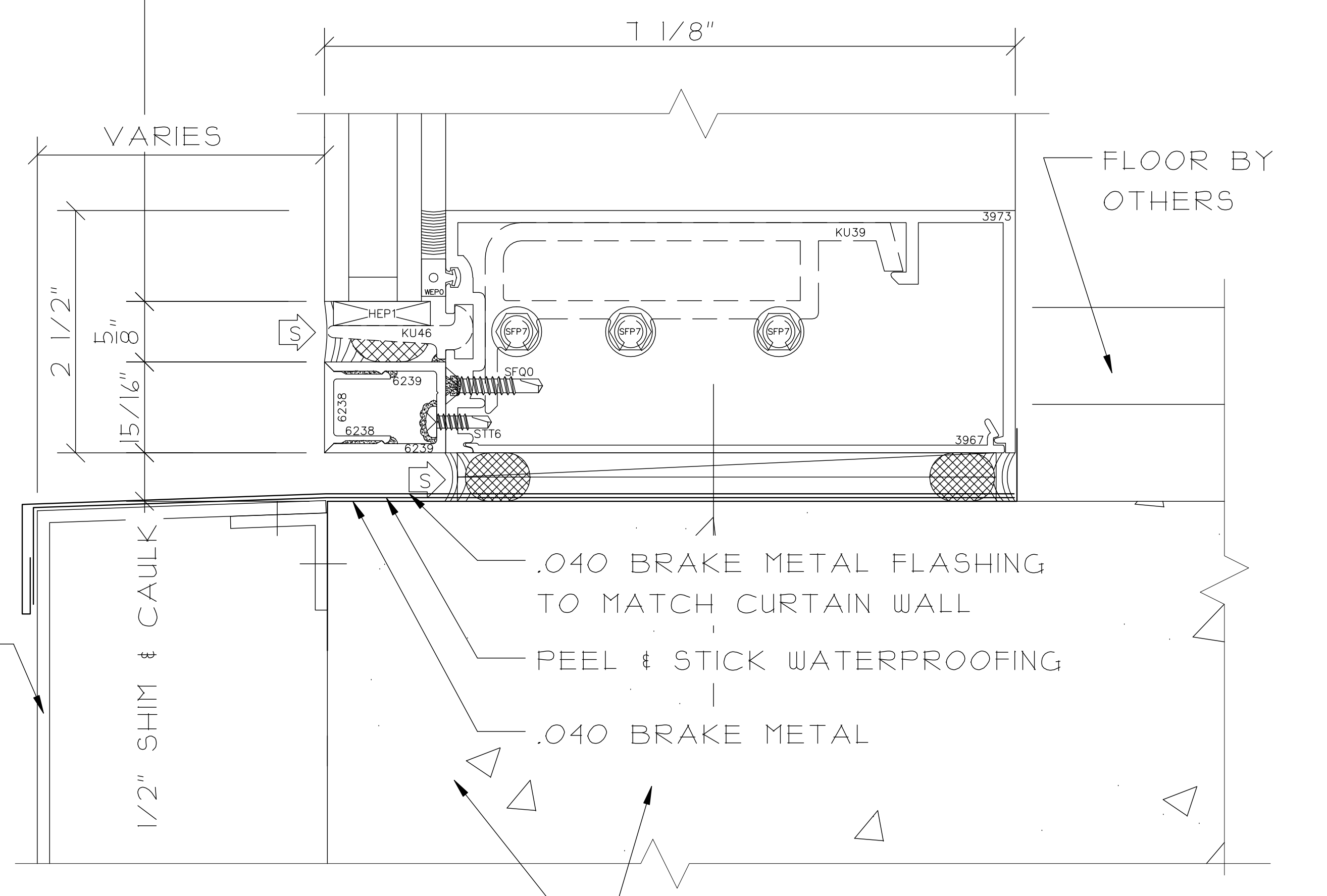
1 HEAD
REF. 1/A403



2 HORIZONTAL MULLION
REF. 1/A403



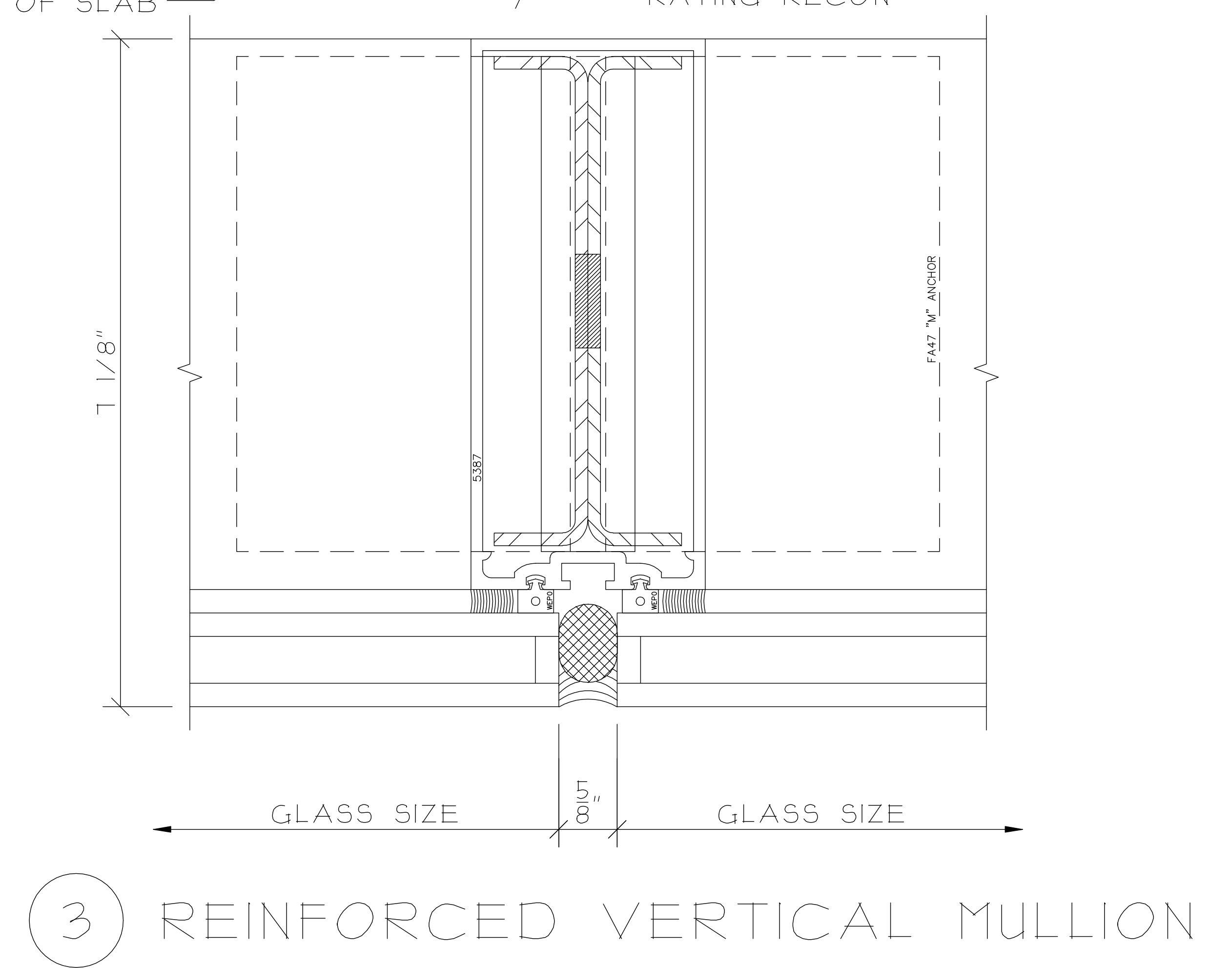
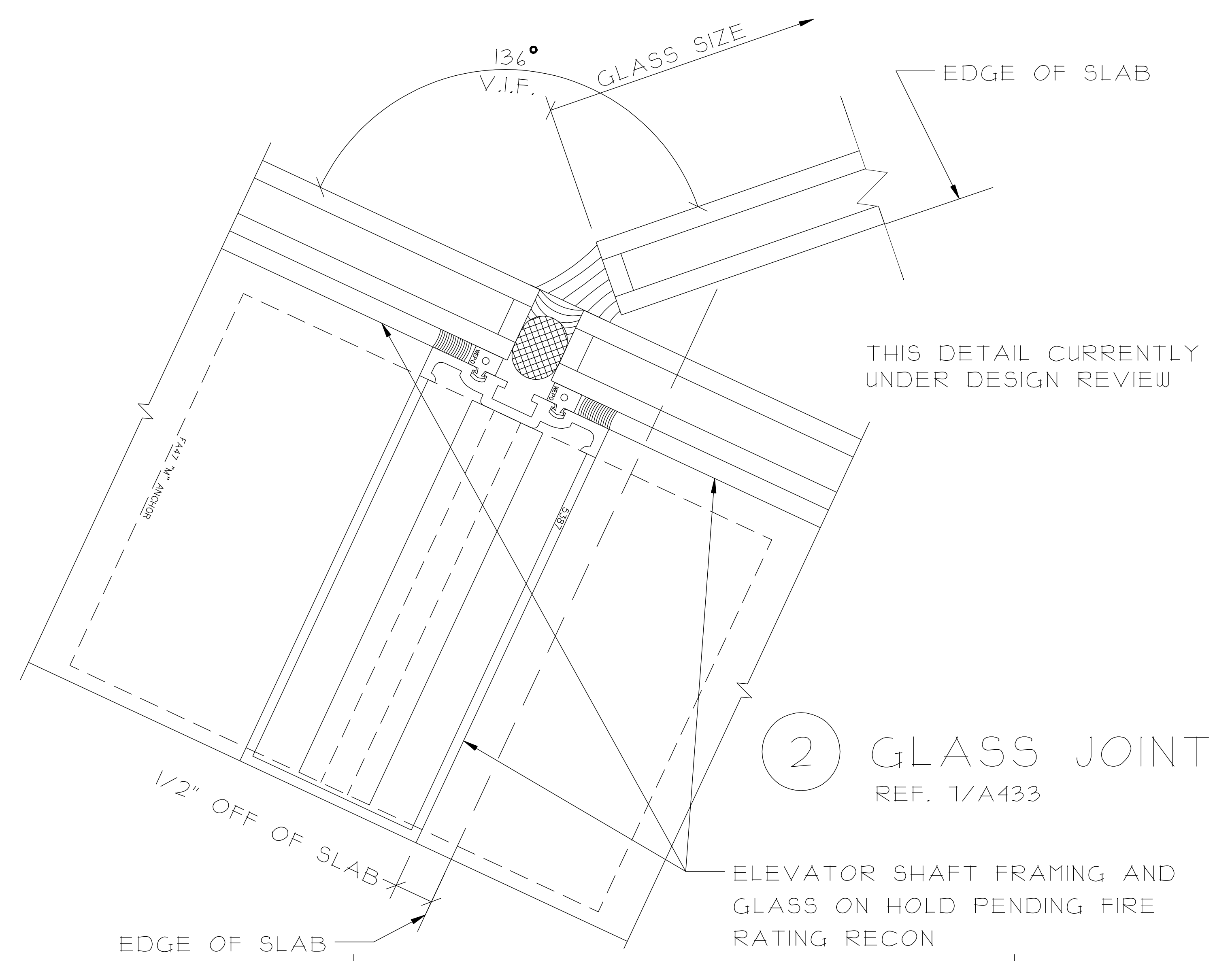
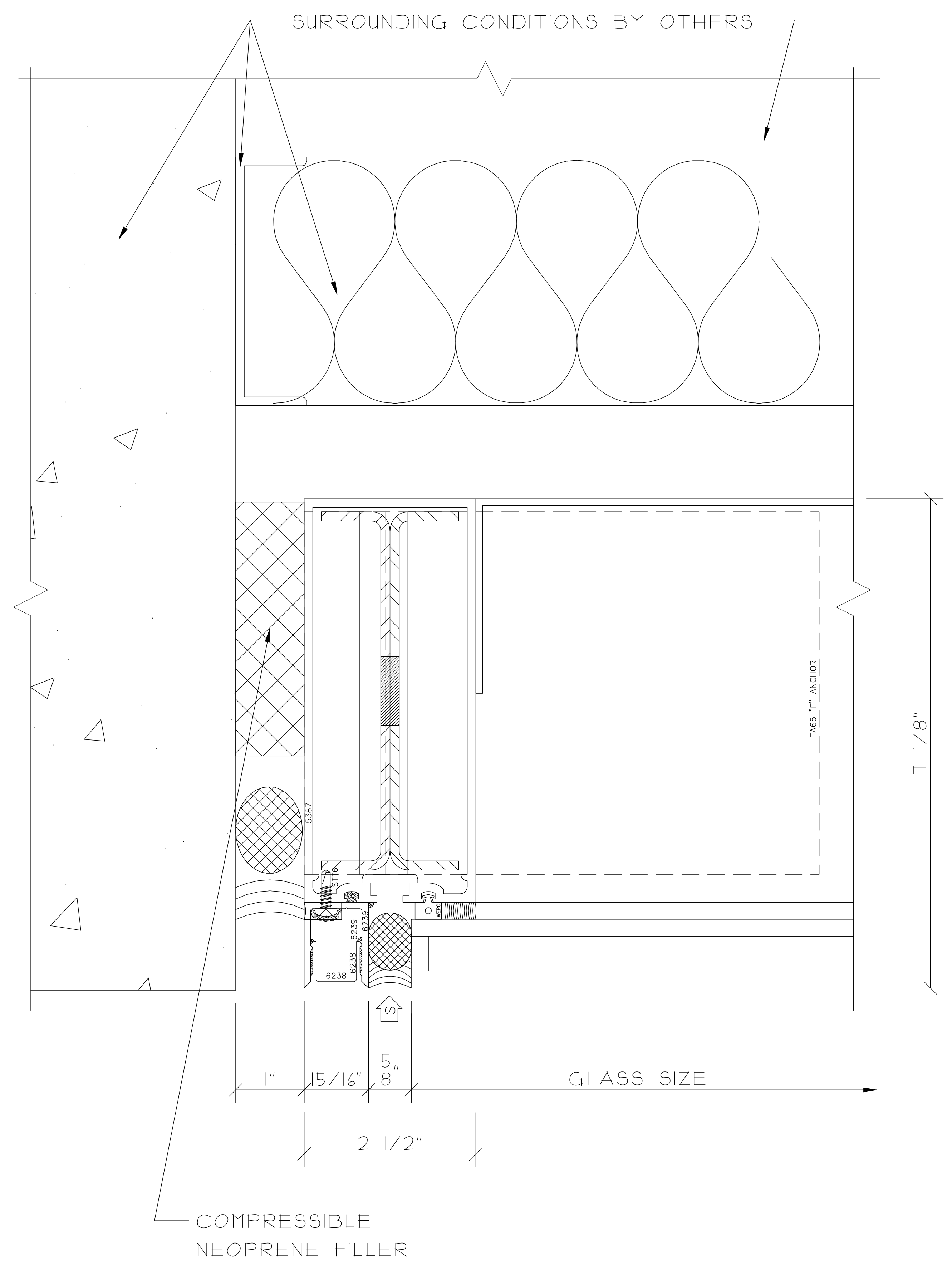
3 HORIZONTAL MULLION
REF. 1/A403



4 SILL
REF. 21/A445

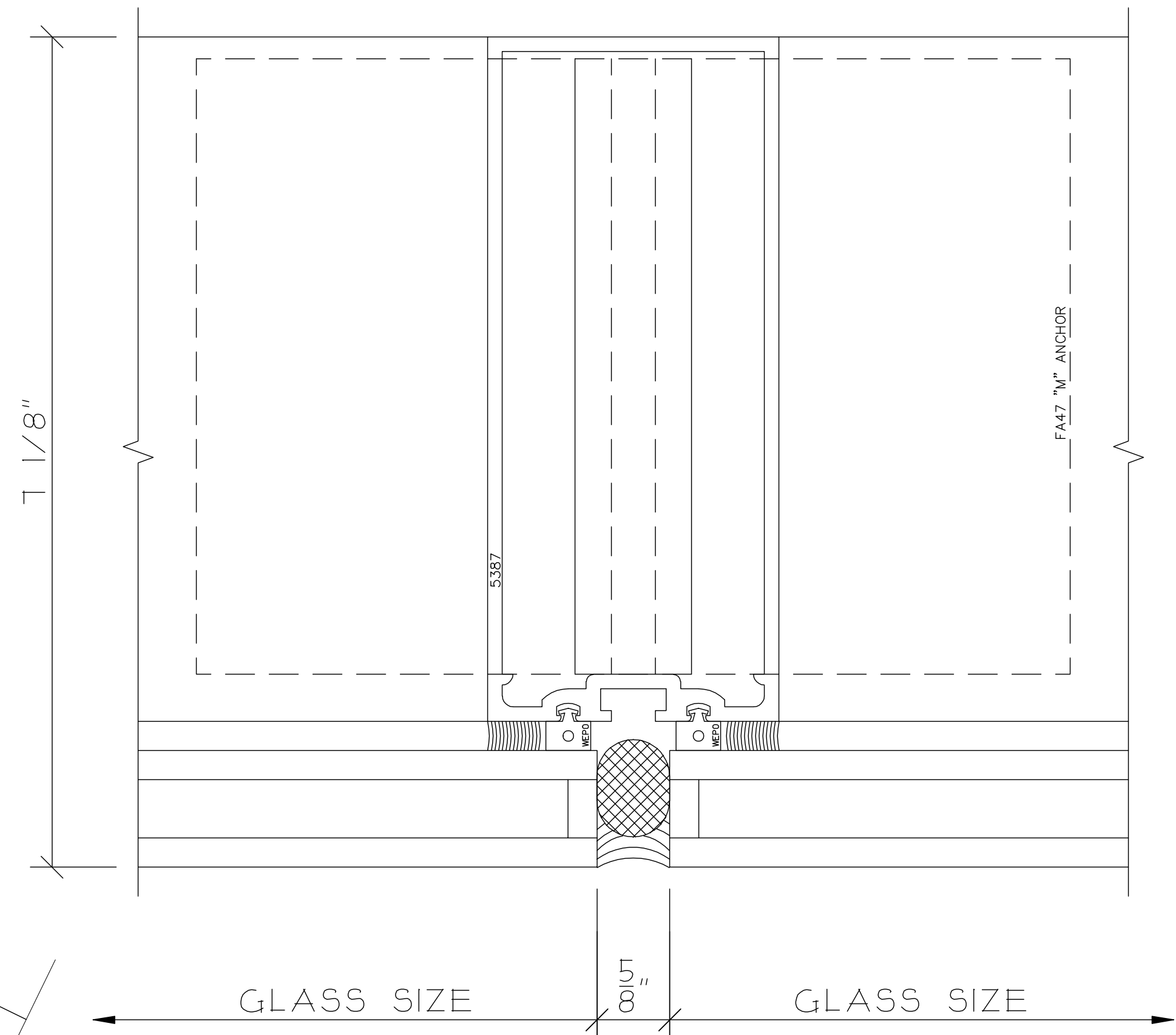
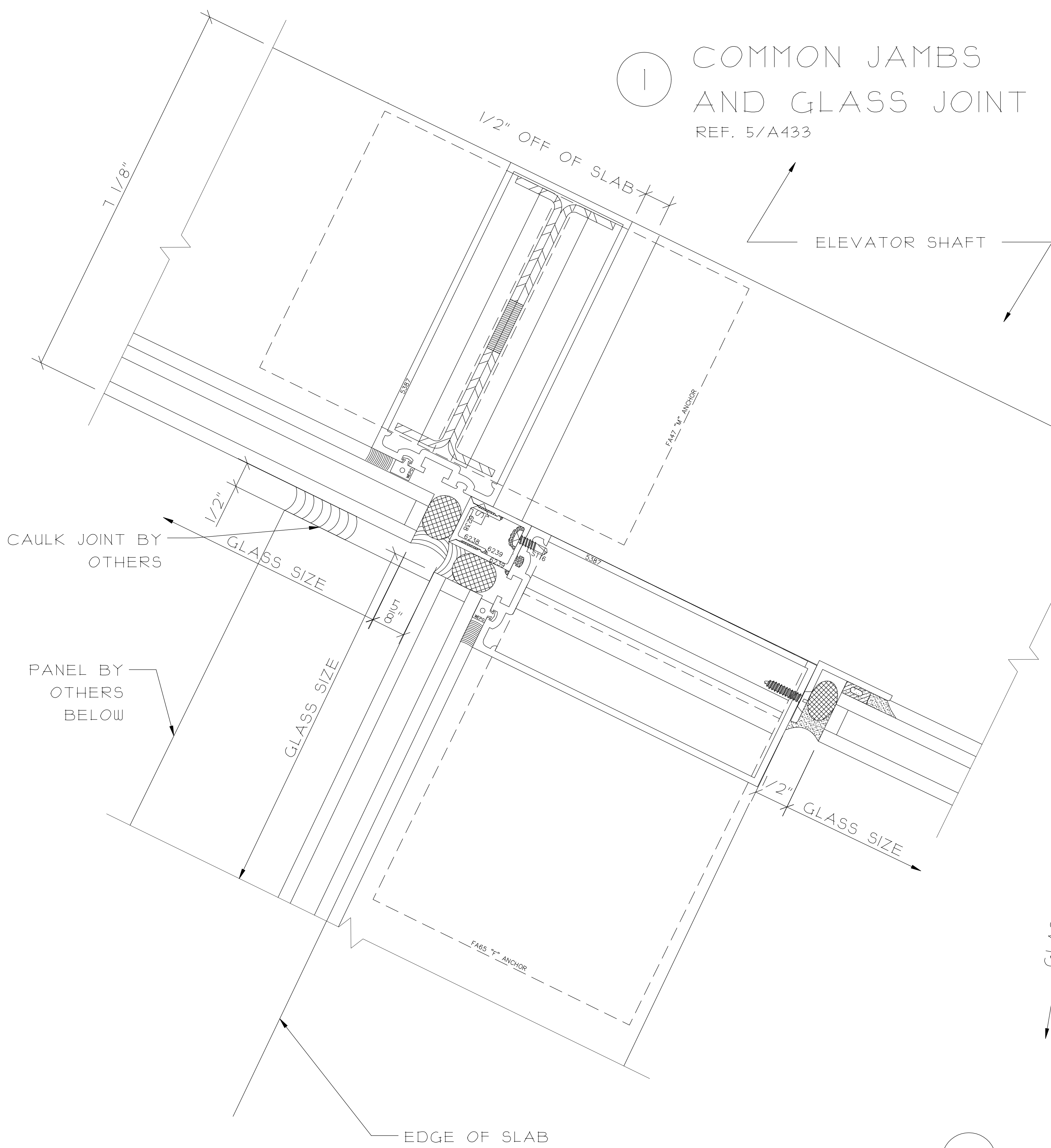
PROJECT:	SAMPLE SAMPLE SAMPLE
LOCATION:	SAMPLE SAMPLE SAMPLE
SCALE:	12" = 1'-0"
DATE:	SAMPLE
DRAWN:	SAMPLE
PAGE:	5 of 13
ARCHITECT:	SAMPLE SAMPLE SAMPLE SAMPLE SAMPLE SAMPLE SAMPLE SAMPLE SAMPLE SAMPLE SAMPLE SAMPLE SAMPLE SAMPLE SAMPLE
GLAZING CONTRACTOR:	SAMPLE SAMPLE SAMPLE SAMPLE SAMPLE SAMPLE SAMPLE SAMPLE SAMPLE SAMPLE SAMPLE SAMPLE SAMPLE SAMPLE SAMPLE
REVISIONS:	
DATE:	

① REINFORCED JAMB
REF. 8/A433

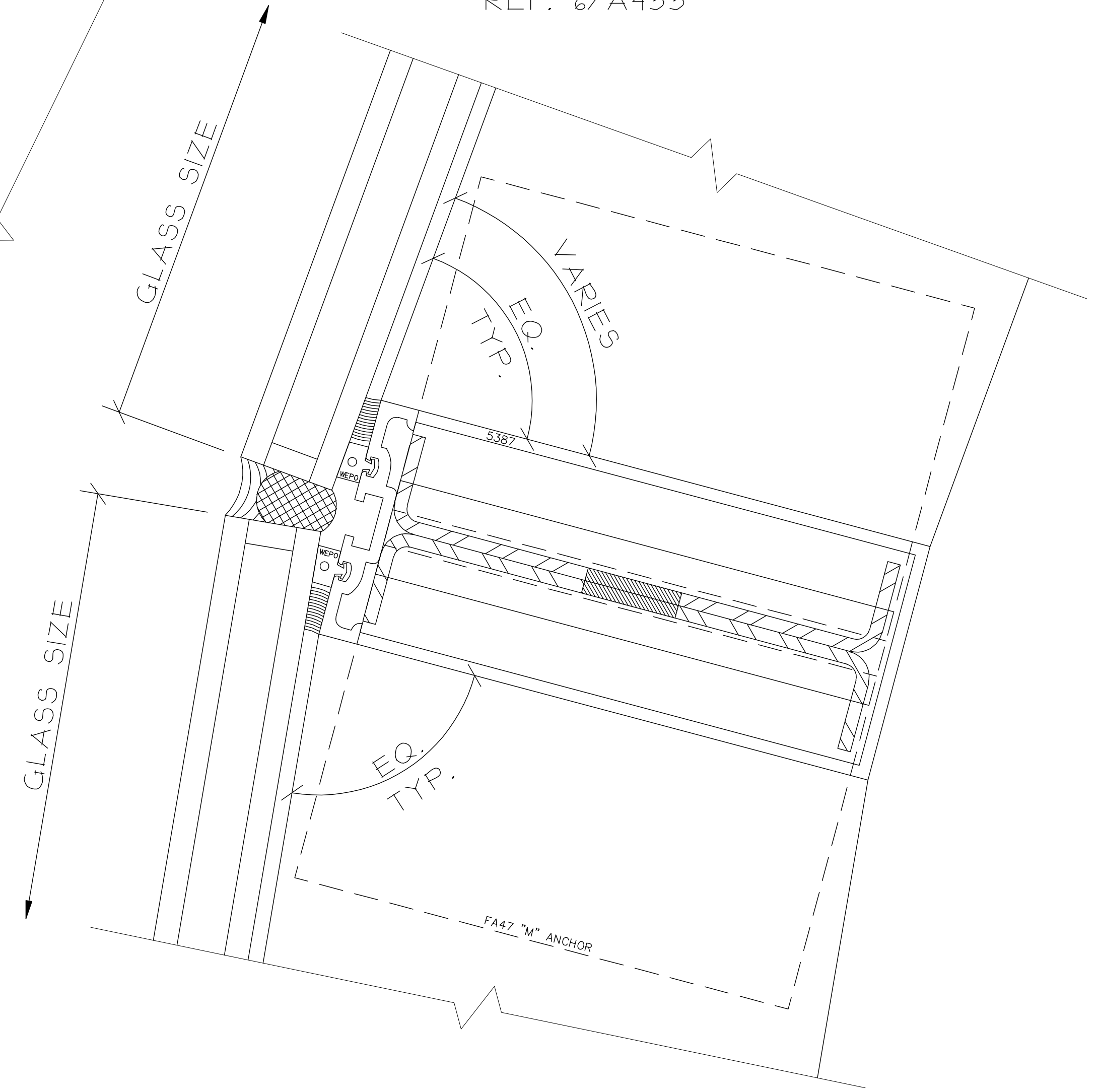


DATE:	
REVISIONS:	
GLAZING CONTRACTOR:	SAMPLE SAMPLE SAMPLE
ARCHITECT:	SAMPLE SAMPLE SAMPLE
PROJECT:	SAMPLE SAMPLE SAMPLE
LOCATION:	SAMPLE SAMPLE SAMPLE
SCALE:	12" = 1'-0"
DATE:	SAMPLE
DRAWN:	SAMPLE
PAGE:	6 of 13

① COMMON JAMBS
AND GLASS JOINT
REF. 5/A433

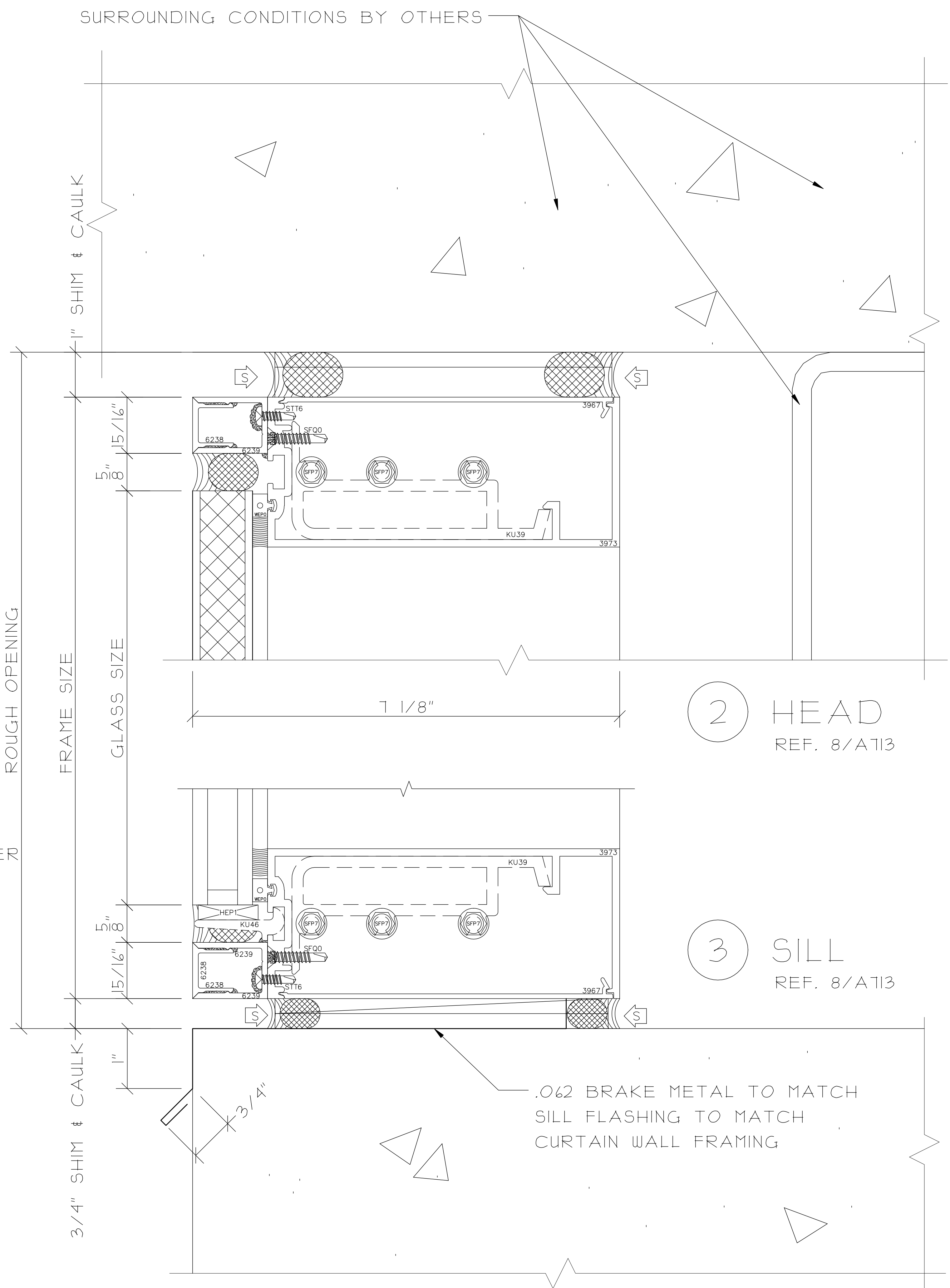
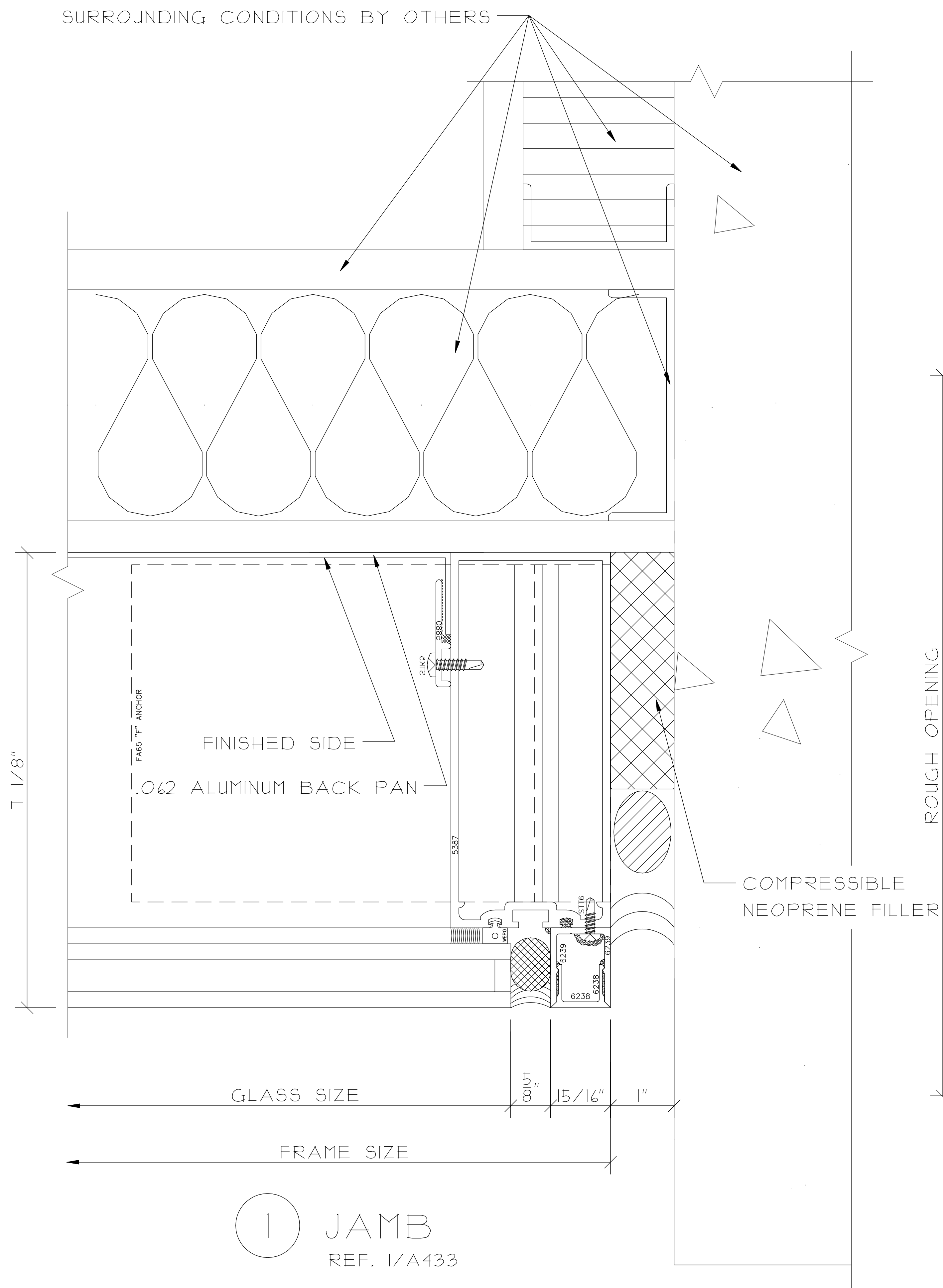


② VERTICAL MULLION
REF. 6/A433

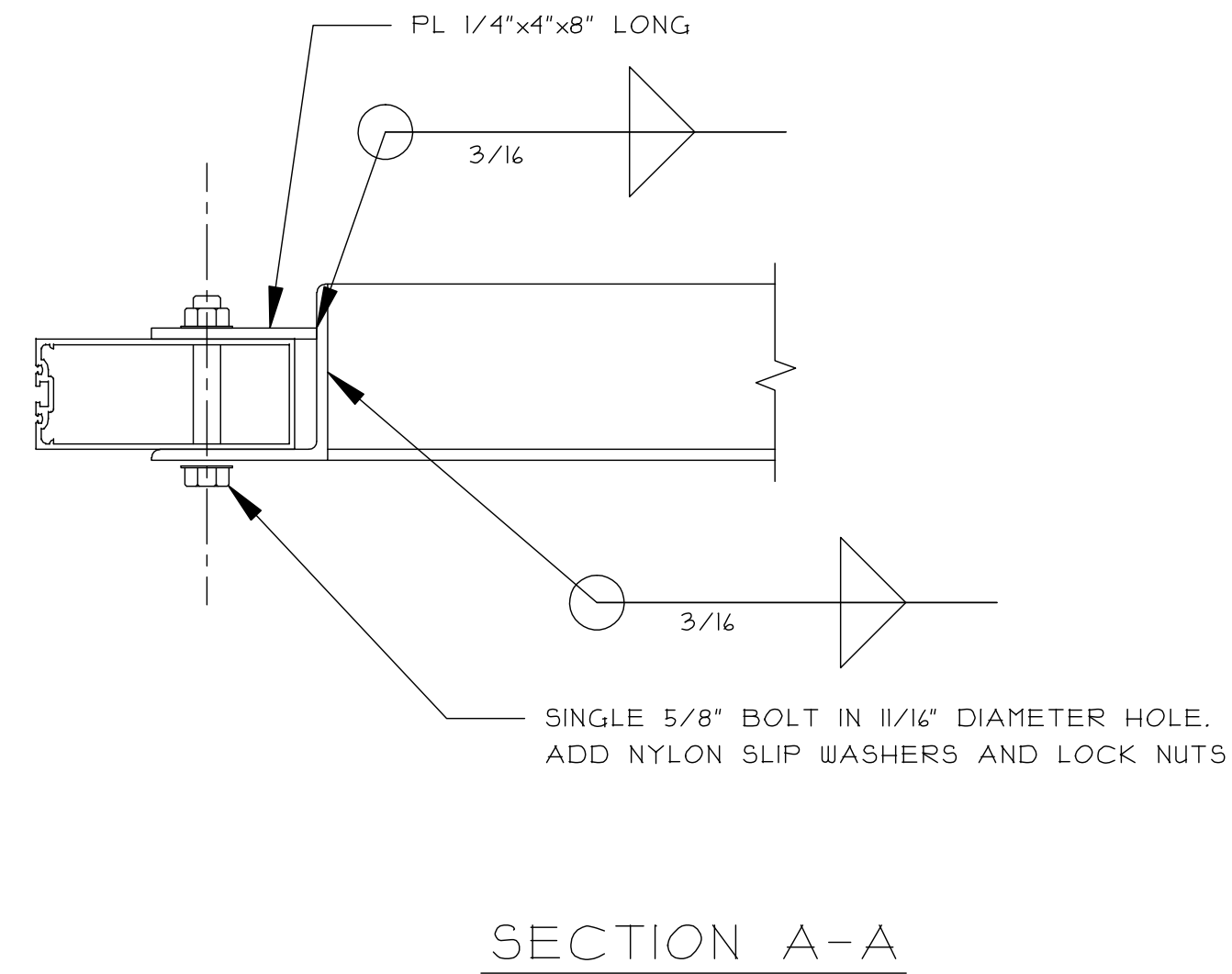
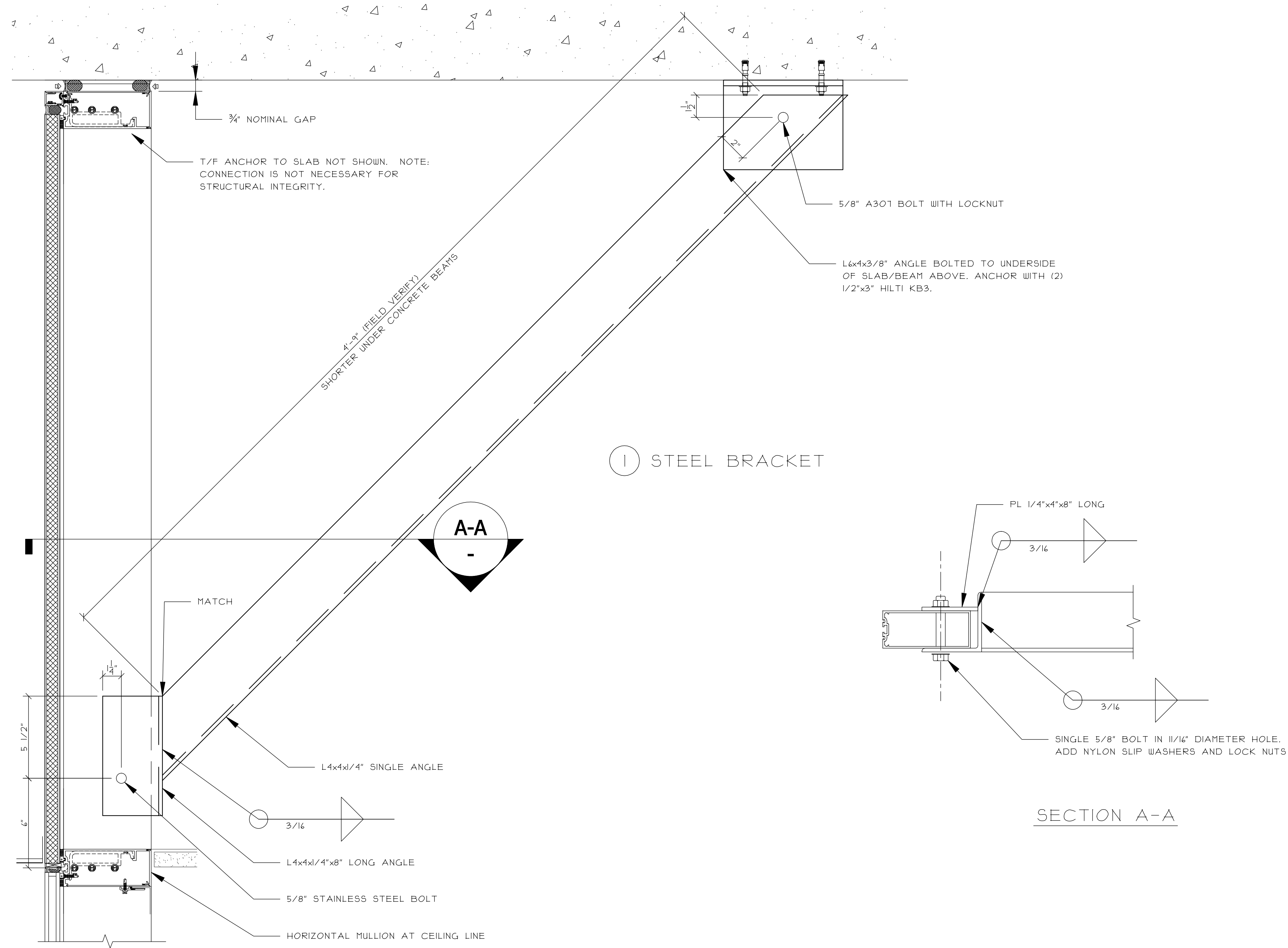


③ REINFORCED VERTICAL MULLION
REF. 12/A433

PROJECT:	SAMPLE SAMPLE SAMPLE
LOCATION:	SAMPLE SAMPLE SAMPLE
SCALE:	12" = 1'-0"
DATE:	SAMPLE
DRAWN:	SAMPLE
PAGE:	1 of 13
ARCHITECT:	SAMPLE SAMPLE SAMPLE SAMPLE SAMPLE SAMPLE SAMPLE SAMPLE SAMPLE SAMPLE SAMPLE SAMPLE
GLAZING CONTRACTOR:	SAMPLE SAMPLE SAMPLE SAMPLE SAMPLE SAMPLE SAMPLE SAMPLE SAMPLE SAMPLE SAMPLE SAMPLE
REVISIONS:	
DATE:	



PROJECT:	SAMPLE SAMPLE SAMPLE
LOCATION:	SAMPLE SAMPLE SAMPLE
SCALE:	12" = 1'-0"
DATE:	SAMPLE
DRAWN:	SAMPLE
PAGE:	9 of 13
ARCHITECT:	SAMPLE SAMPLE SAMPLE SAMPLE SAMPLE SAMPLE SAMPLE SAMPLE SAMPLE SAMPLE SAMPLE SAMPLE
GLAZING CONTRACTOR:	SAMPLE SAMPLE SAMPLE SAMPLE SAMPLE SAMPLE SAMPLE SAMPLE SAMPLE SAMPLE SAMPLE SAMPLE
REVISIONS:	
DATE:	



NOTES:
 PRIME OR GALVANIZE STEEL MATERIALS PER JOB SPEC.
 INSTALL BOLTS SNUG TIGHT IN HOLE. DO NOT TORQUE THROUGH MULLION.
 PROVIDE SLIP WASHERS, LOCKING NUTS, ETC TO FACILITATE DIFFERENTIAL
 MOVEMENTS AT MULLION CONNECTION. ISOLATE ALL DISSIMILAR MATERIAL.

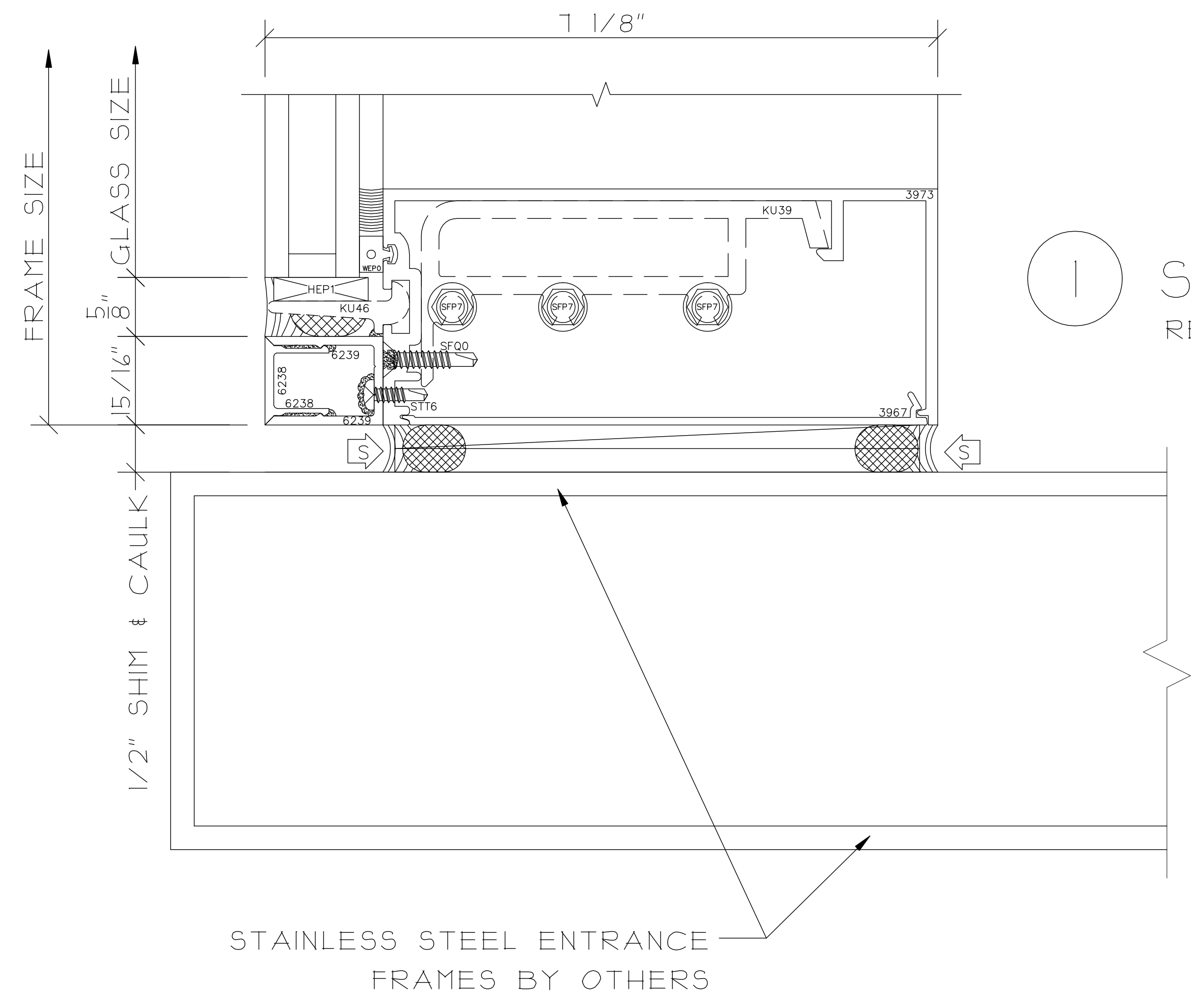
REVISIONS:	DATE:

GLAZING CONTRACTOR:	SAMPLE	SAMPLE	SAMPLE
	SAMPLE	SAMPLE	SAMPLE
	SAMPLE	SAMPLE	SAMPLE
	SAMPLE	SAMPLE	SAMPLE
	SAMPLE	SAMPLE	SAMPLE

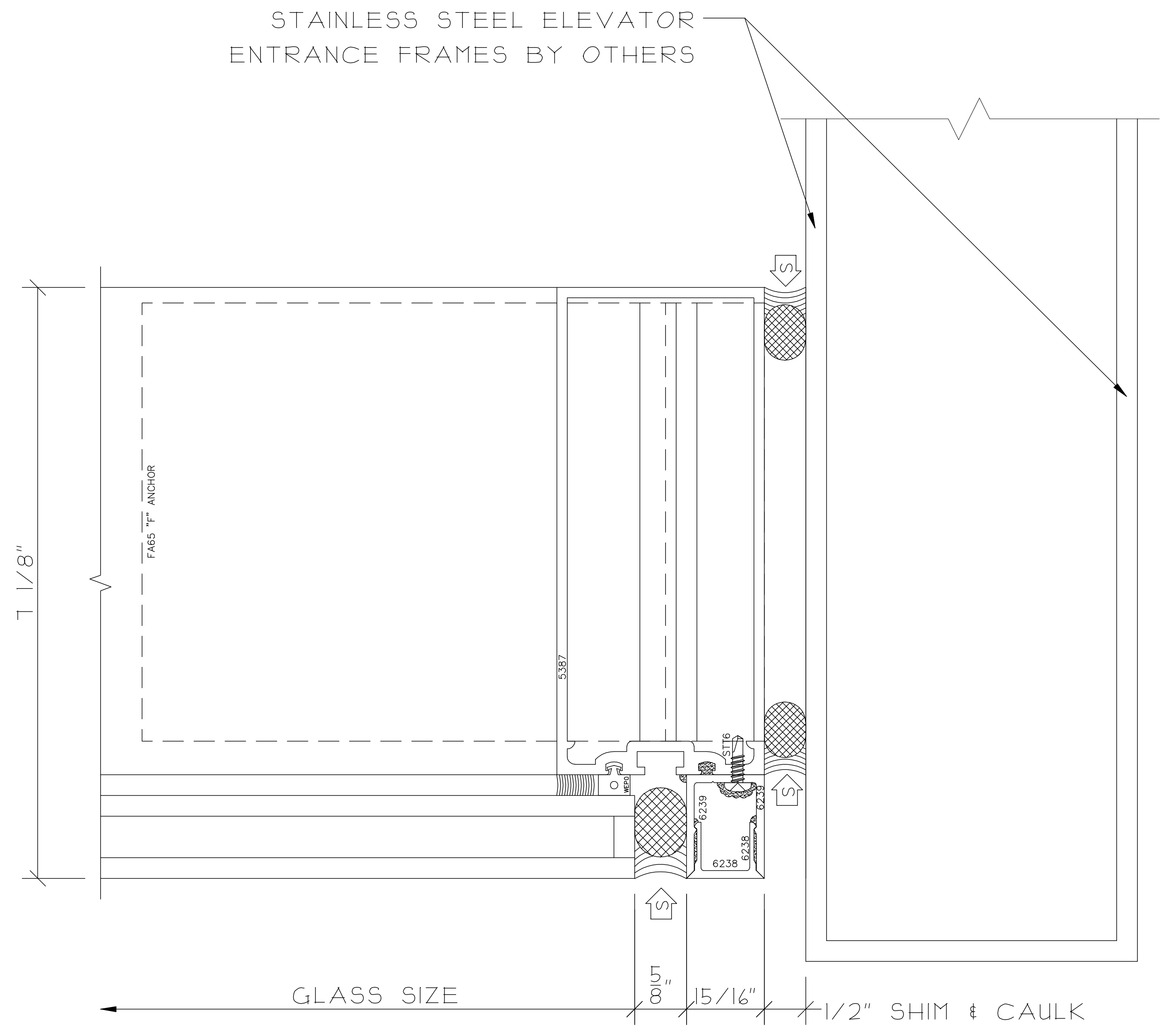
ARCHITECT:	SAMPLE	SAMPLE	SAMPLE
	SAMPLE	SAMPLE	SAMPLE
	SAMPLE	SAMPLE	SAMPLE
	SAMPLE	SAMPLE	SAMPLE
	SAMPLE	SAMPLE	SAMPLE

PROJECT:	SAMPLE	SAMPLE	SAMPLE
LOCATION:	SAMPLE	SAMPLE	SAMPLE

SCALE:	3" = 1'-0"
DATE:	SAMPLE
DRAWN:	SAMPLE
PAGE:	10 of 13



1 SILL
REF. 3/A114



2 JAMB
REF. 3/A114

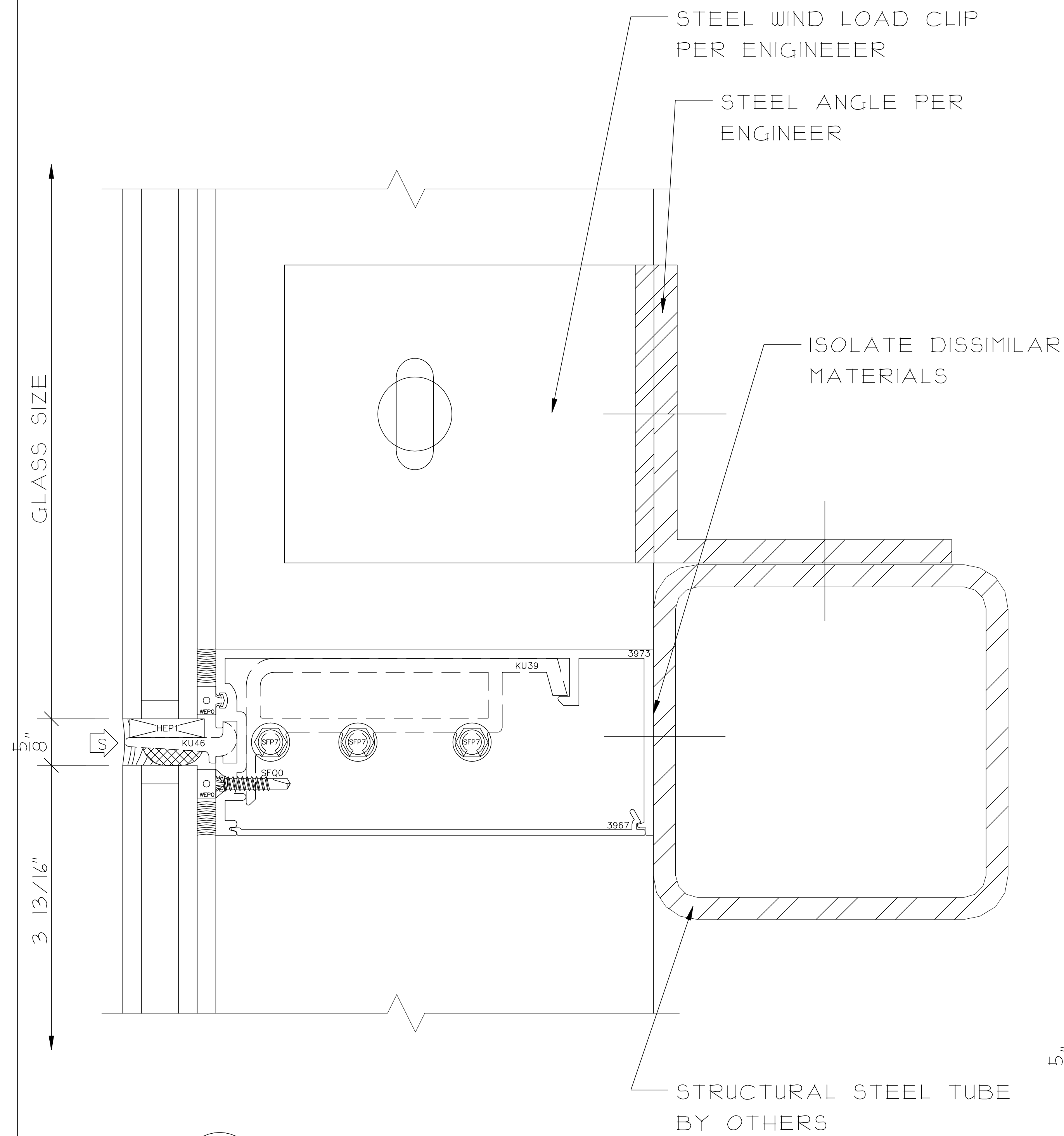
REVISIONS:	DATE:

GLAZING CONTRACTOR:
SAMPLE SAMPLE SAMPLE
SAMPLE SAMPLE SAMPLE
SAMPLE SAMPLE SAMPLE
SAMPLE SAMPLE SAMPLE
SAMPLE SAMPLE SAMPLE

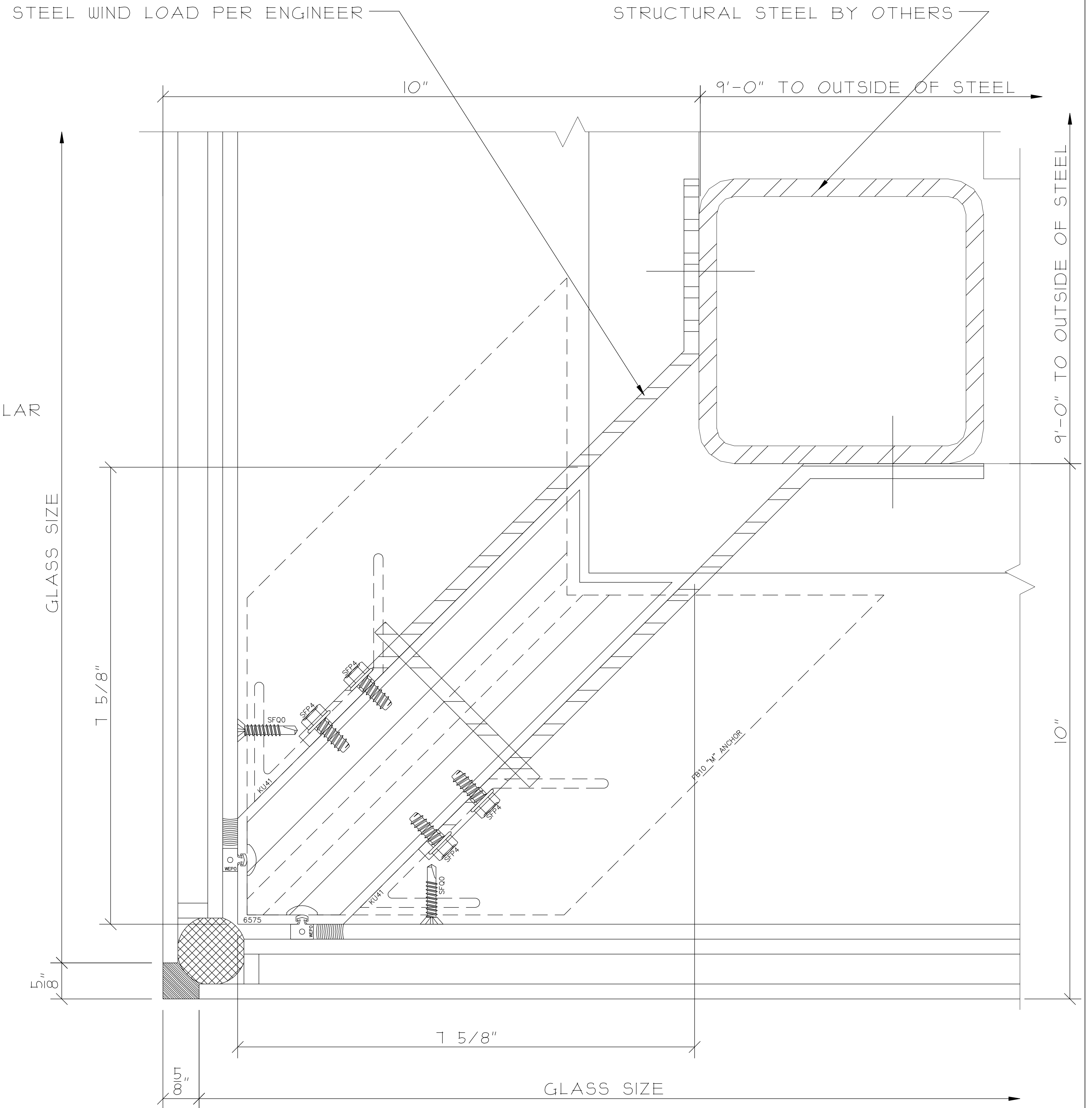
ARCHITECT:
SAMPLE SAMPLE SAMPLE
SAMPLE SAMPLE SAMPLE
SAMPLE SAMPLE SAMPLE
SAMPLE SAMPLE SAMPLE
SAMPLE SAMPLE SAMPLE

PROJECT:	LOCATION:
SAMPLE SAMPLE SAMPLE	SAMPLE SAMPLE SAMPLE
SAMPLE SAMPLE SAMPLE	SAMPLE SAMPLE SAMPLE

SCALE: 12" = 1'-0"
DATE: SAMPLE
DRAWN: SAMPLE
PAGE: 11 of 13

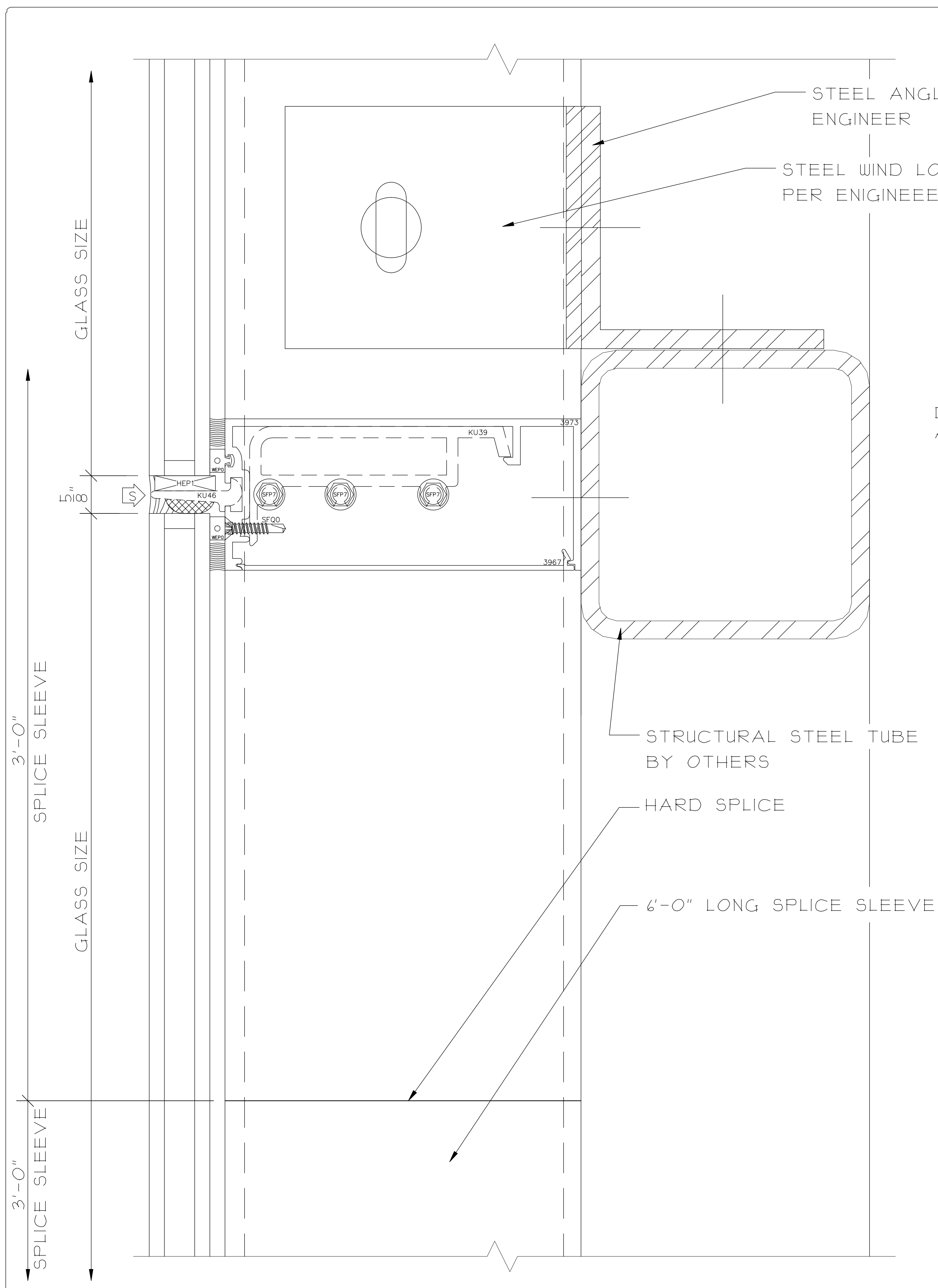


① WIND LOAD CLIP

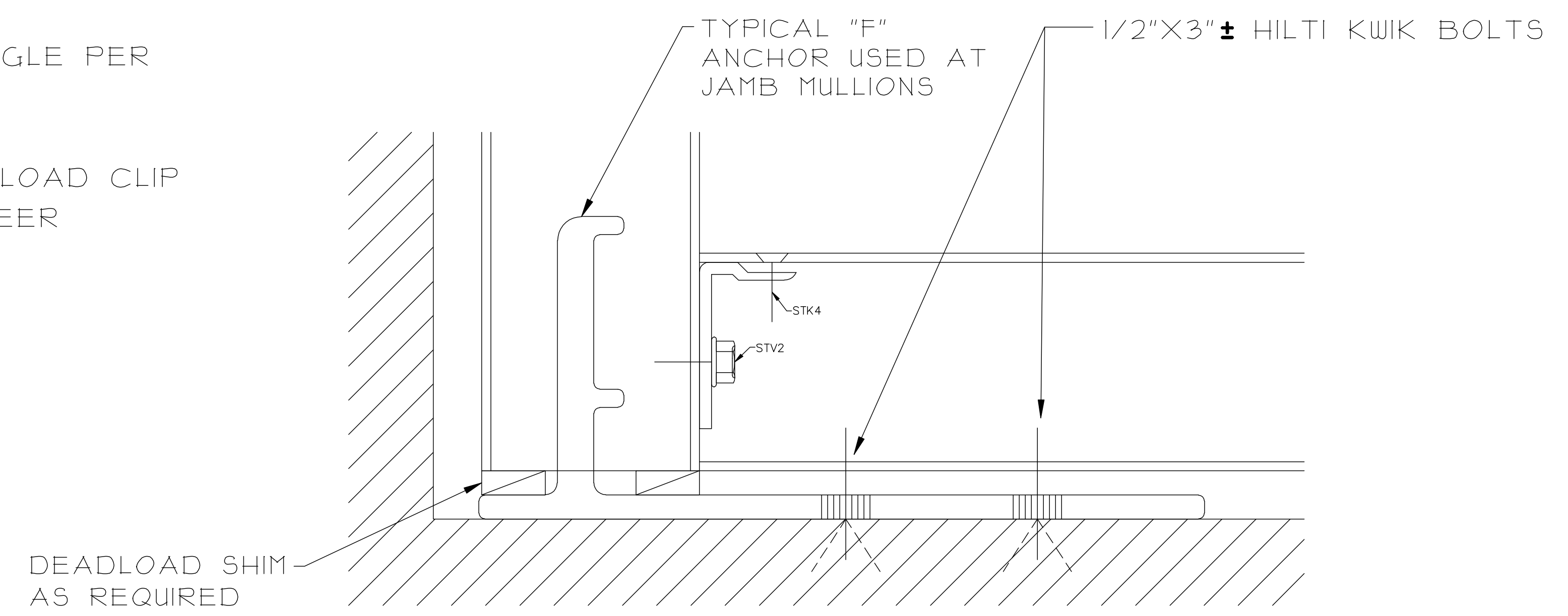


② 90° CORNER MULLION WITH WIND LOAD CLIP

PROJECT:	SAMPLE SAMPLE SAMPLE
LOCATION:	SAMPLE SAMPLE SAMPLE
SCALE:	12" = 1'-0"
DATE:	SAMPLE
DRAWN:	SAMPLE
PAGE:	12 of 13
ARCHITECT:	SAMPLE SAMPLE SAMPLE SAMPLE SAMPLE SAMPLE SAMPLE SAMPLE SAMPLE SAMPLE SAMPLE SAMPLE
GLAZING CONTRACTOR:	SAMPLE SAMPLE SAMPLE SAMPLE SAMPLE SAMPLE SAMPLE SAMPLE SAMPLE SAMPLE SAMPLE SAMPLE
REVISIONS:	
DATE:	



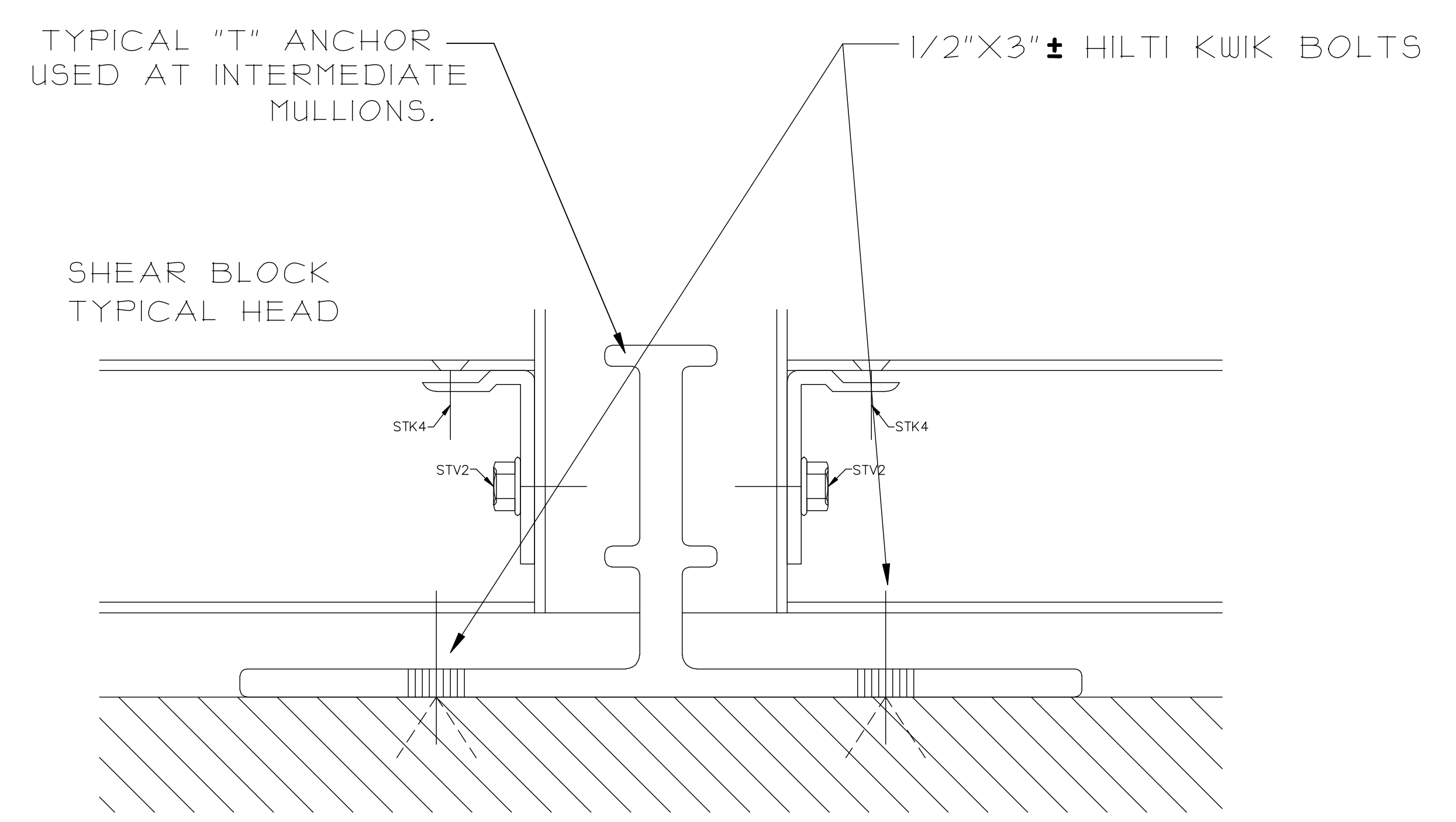
① HARD SPLICE



ANCHOR FOR VERTICAL AT JAMBS (SILL CONDITION SHOWN, HEAD SIMILAR)

NOTE: USE LONGER BOLTS AND BOLT THROUGH WOOD BLOCKING IF REQUIRED BY ARCHITECT.

② F ANCHOR



ANCHOR FOR INTERMEDIATE VERTICAL (SILL CONDITION SHOWN, HEAD SIMILAR)

NOTE: USE LONGER BOLTS AND BOLT THROUGH WOOD BLOCKING IF REQUIRED BY ARCHITECT.

③ T ANCHOR

PROJECT:	SAMPLE SAMPLE SAMPLE
LOCATION:	SAMPLE SAMPLE SAMPLE
SCALE:	12" = 1'-0"
DATE:	SAMPLE
DRAWN:	SAMPLE
PAGE:	13 of 13
ARCHITECT:	SAMPLE SAMPLE SAMPLE SAMPLE SAMPLE SAMPLE SAMPLE SAMPLE SAMPLE SAMPLE SAMPLE SAMPLE
GLAZING CONTRACTOR:	SAMPLE SAMPLE SAMPLE SAMPLE SAMPLE SAMPLE SAMPLE SAMPLE SAMPLE SAMPLE SAMPLE SAMPLE
REVISIONS:	
DATE:	