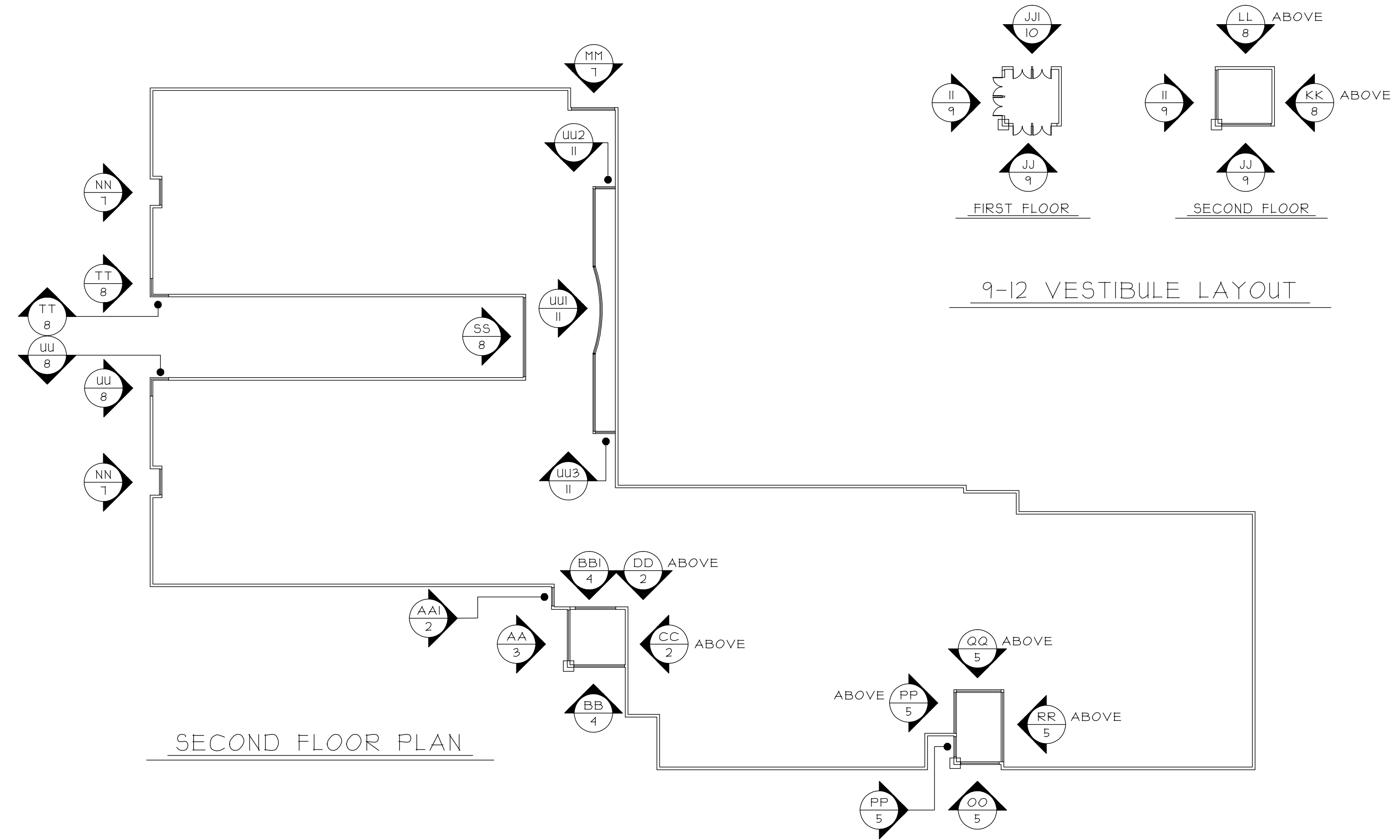


ALUMINUM CURTAIN WALLS, STOREFRONTS AND ENTRANCES

GENERAL NOTES:

I. GENERAL NOTES



SECOND FLOOR PLAN

9-12 VESTIBULE LAYOUT

JLE LEVEL A CORRIDOR

FIRST FLOOR PLAN

REVISIONS	DATE

GLAZING CONTRACTOR:

SAMPLE	SAMPLE	SAMPLE
SAMPLE	SAMPLE	SAMPLE
SAMPLE	SAMPLE	SAMPLE
SAMPLE	SAMPLE	SAMPLE
SAMPLE	SAMPLE	SAMPLE

ARCHITECT:

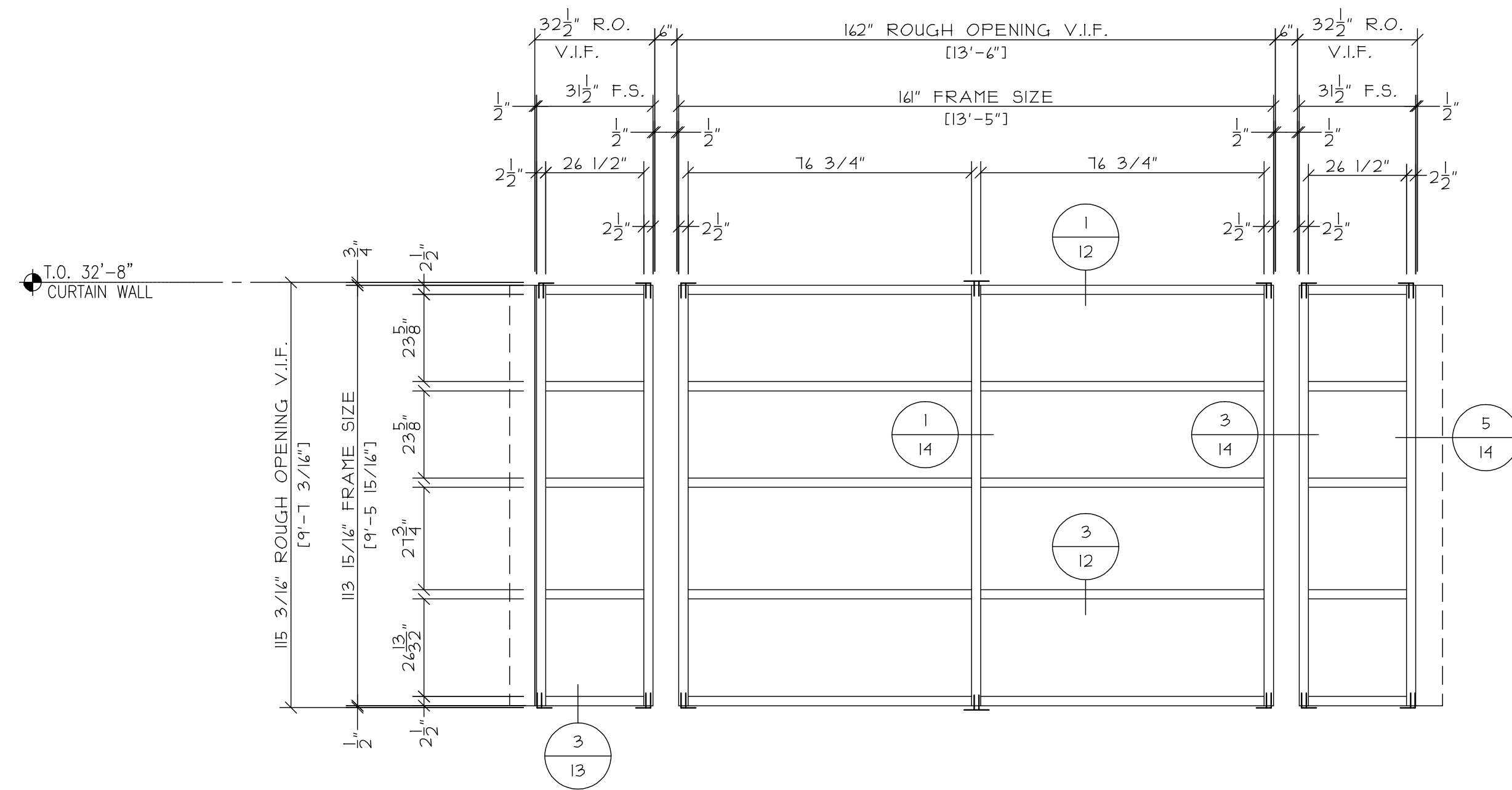
SAMPLE	SAMPLE	SAMPLE
SAMPLE	SAMPLE	SAMPLE
SAMPLE	SAMPLE	SAMPLE
SAMPLE	SAMPLE	SAMPLE
SAMPLE	SAMPLE	SAMPLE

PROJECT:	SAMPLE	SAMPLE	SAMPLE
LOCATION:	SAMPLE	SAMPLE	SAMPLE

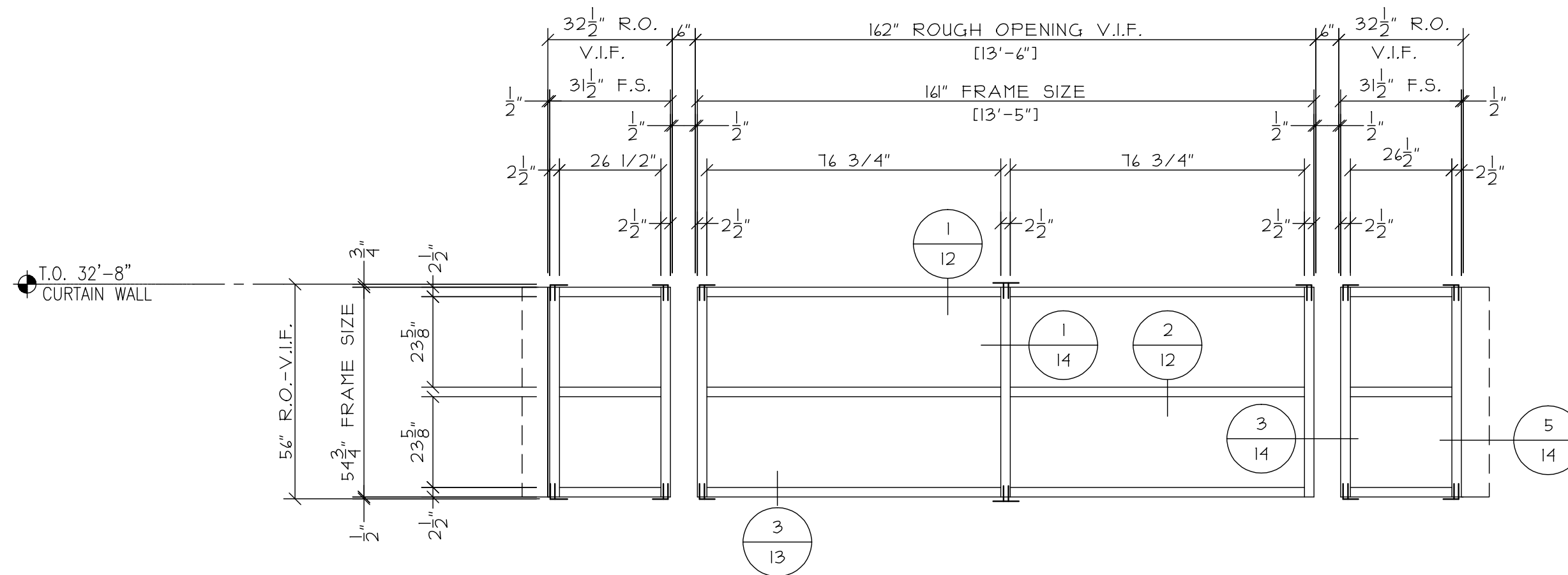
SCALE:
NOT TO SCALE

DATE:
SAMPLE

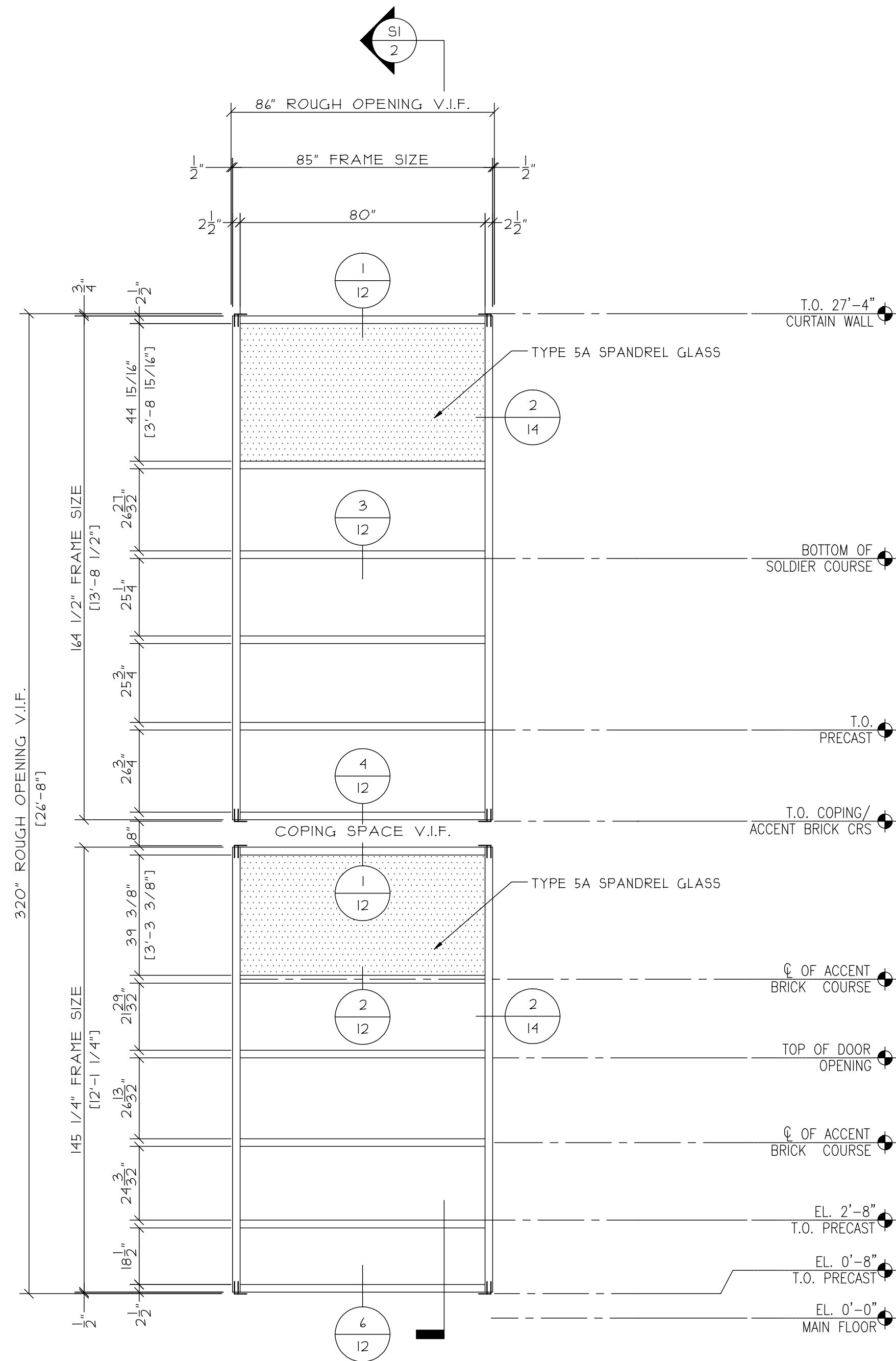
PAGE:
1 of 22



CC 118 VESTIBULE - NORTH
 1 TOTAL
 1 1/4" RELIANCE WALL
 TYPE 2 GLASS



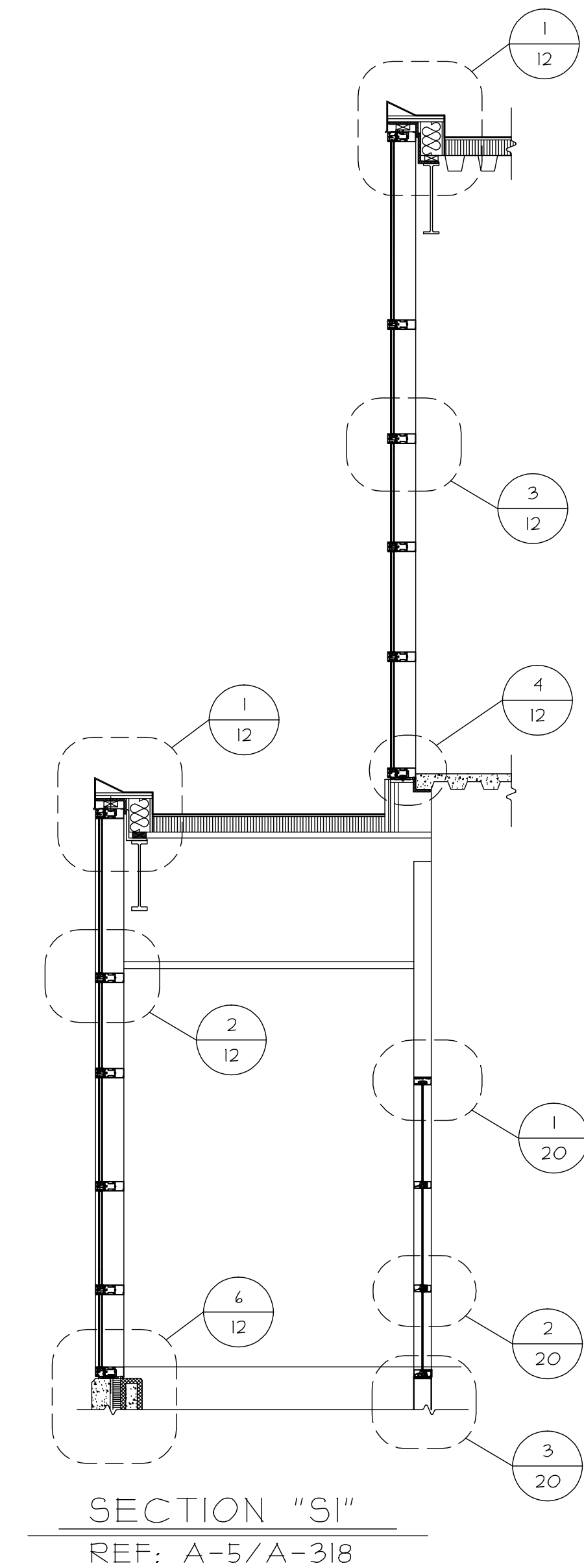
DD 118 VESTIBULE - WEST
 1 TOTAL
 1 1/4" RELIANCE WALL
 TYPE 2 GLASS



AAI 118 VESTIBULE - SOUTH
 1 TOTAL
 1 1/4" RELIANCE WALL
 TYPE 2 GLASS-UNLESS NOTED OTHERWISE

TI - DENOTES LOCATION OF "F" ANCHOR
 SEE DETAIL 5 ON PAGE 18

TT - DENOTES LOCATION OF "T" ANCHOR
 SEE DETAIL 6 ON PAGE 18



SECTION "S1"
 REF: A-5/A-318

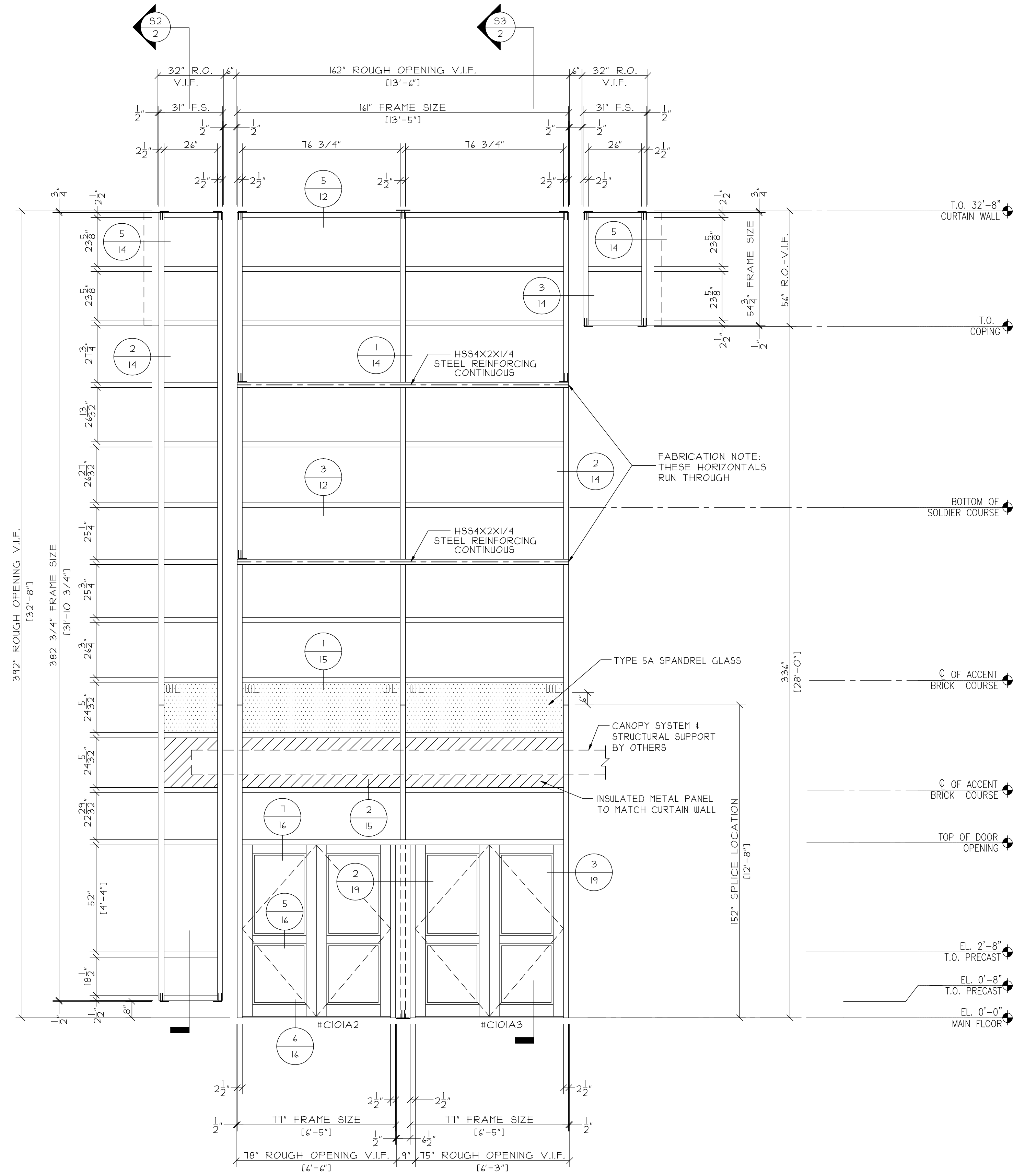
REVISIONS	DATE

GLAZING CONTRACTOR:
SAMPLE SAMPLE SAMPLE
SAMPLE SAMPLE SAMPLE
SAMPLE SAMPLE SAMPLE
SAMPLE SAMPLE SAMPLE

ARCHITECT:
SAMPLE SAMPLE SAMPLE
SAMPLE SAMPLE SAMPLE
SAMPLE SAMPLE SAMPLE
SAMPLE SAMPLE SAMPLE

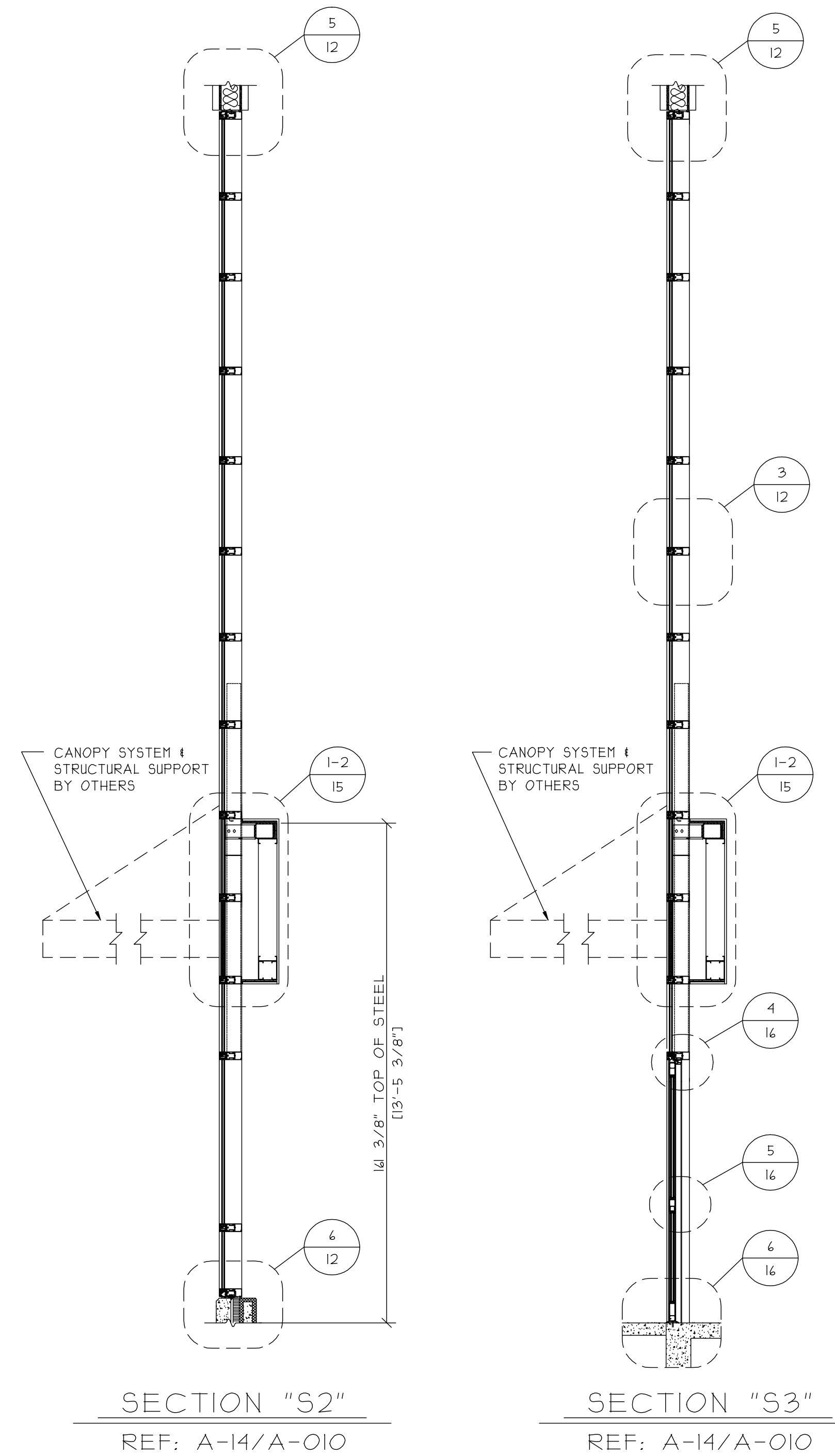
PROJECT:	SAMPLE SAMPLE SAMPLE
LOCATION:	SAMPLE SAMPLE SAMPLE

SCALE: 3/8" = 1'-0"
DATE: SAMPLE
PAGE: 2 of 22



AA 118 VESTIBULE - SOUTH
 I TOTAL
 1 1/4" RELIANCE WALL
 DOOR# CIOIA2 - H.W. GROUP #14
 & DOOR# CIOIA3 - H.W. GROUP #16
 TYPE 2 GLASS-UNLESS NOTED OTHERWISE

- WL - DENOTES LOCATION OF WINDLOAD ANCHOR
SEE DETAIL 1A ON PAGE 15
- FI - DENOTES LOCATION OF "F" ANCHOR
SEE DETAIL 5 ON PAGE 18
- TI - DENOTES LOCATION OF "T" ANCHOR
SEE DETAIL 6 ON PAGE 18

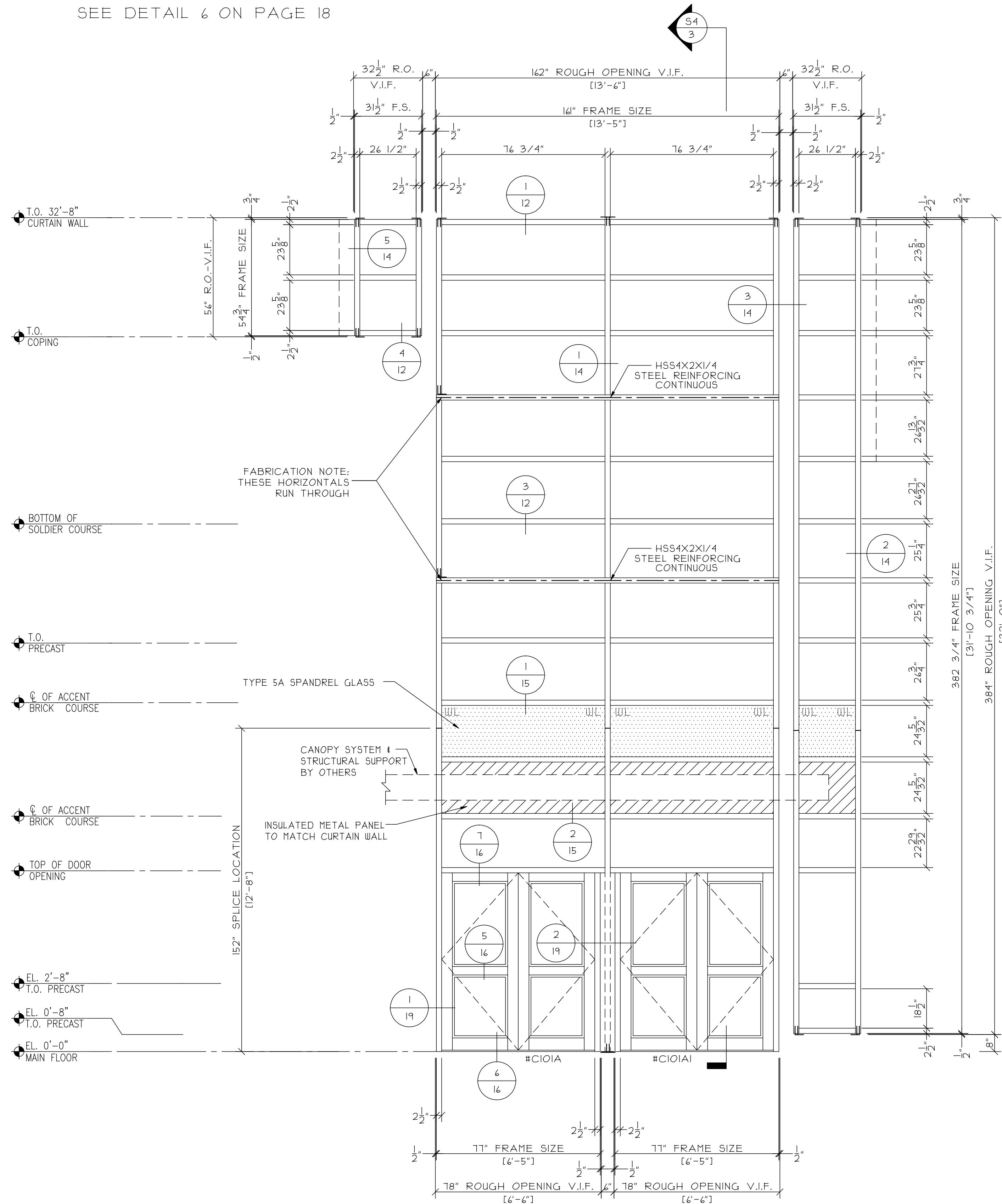


REVISIONS	DATE

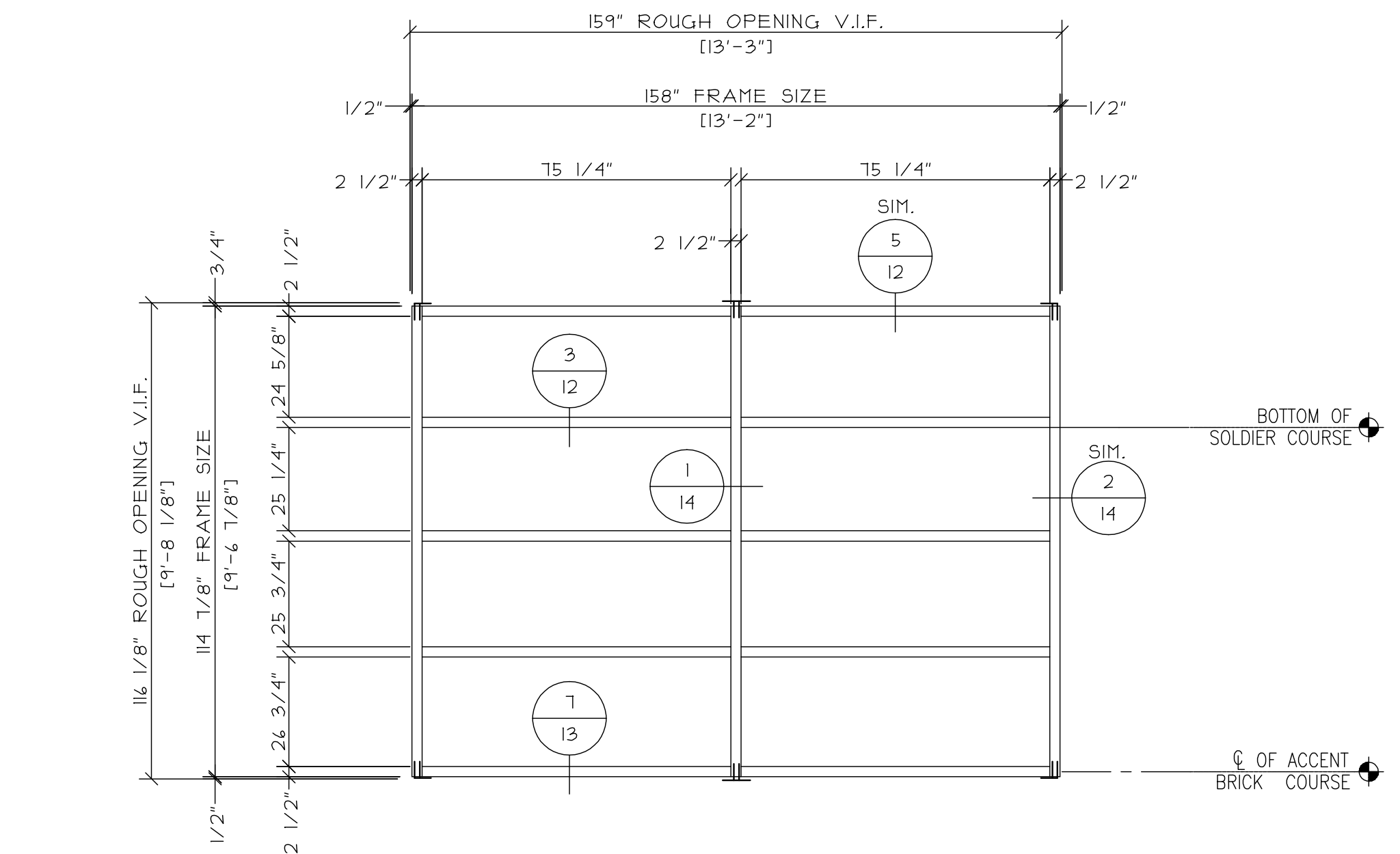
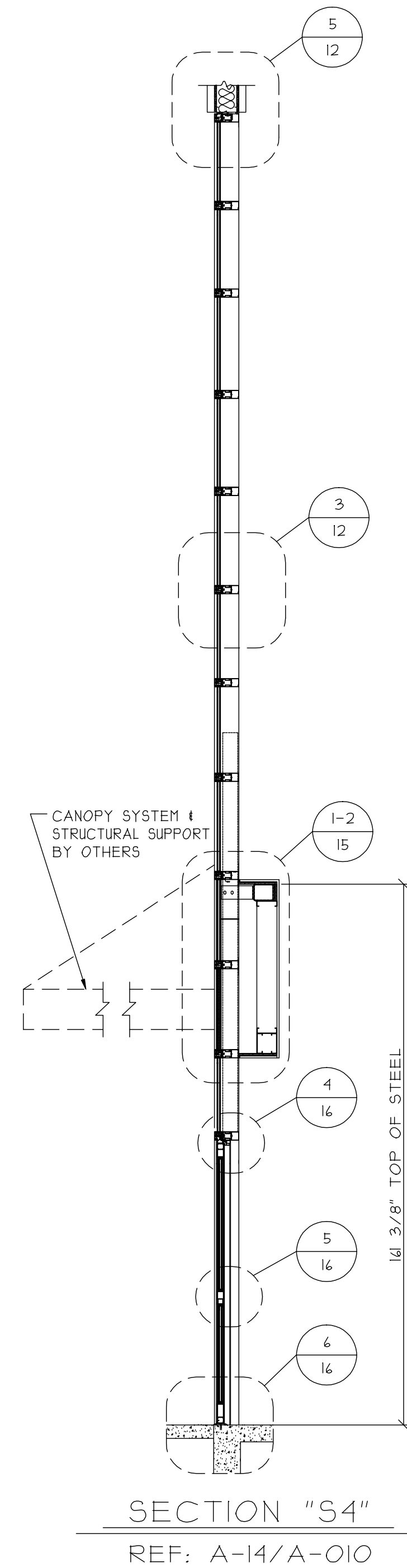
GLAZING CONTRACTOR:	SAMPLE SAMPLE SAMPLE
ARCHITECT:	SAMPLE SAMPLE SAMPLE
PROJECT:	SAMPLE SAMPLE SAMPLE
LOCATION:	SAMPLE SAMPLE SAMPLE

SCALE:	3/8" = 1'-0"
DATE:	SAMPLE
PAGE:	3 of 22

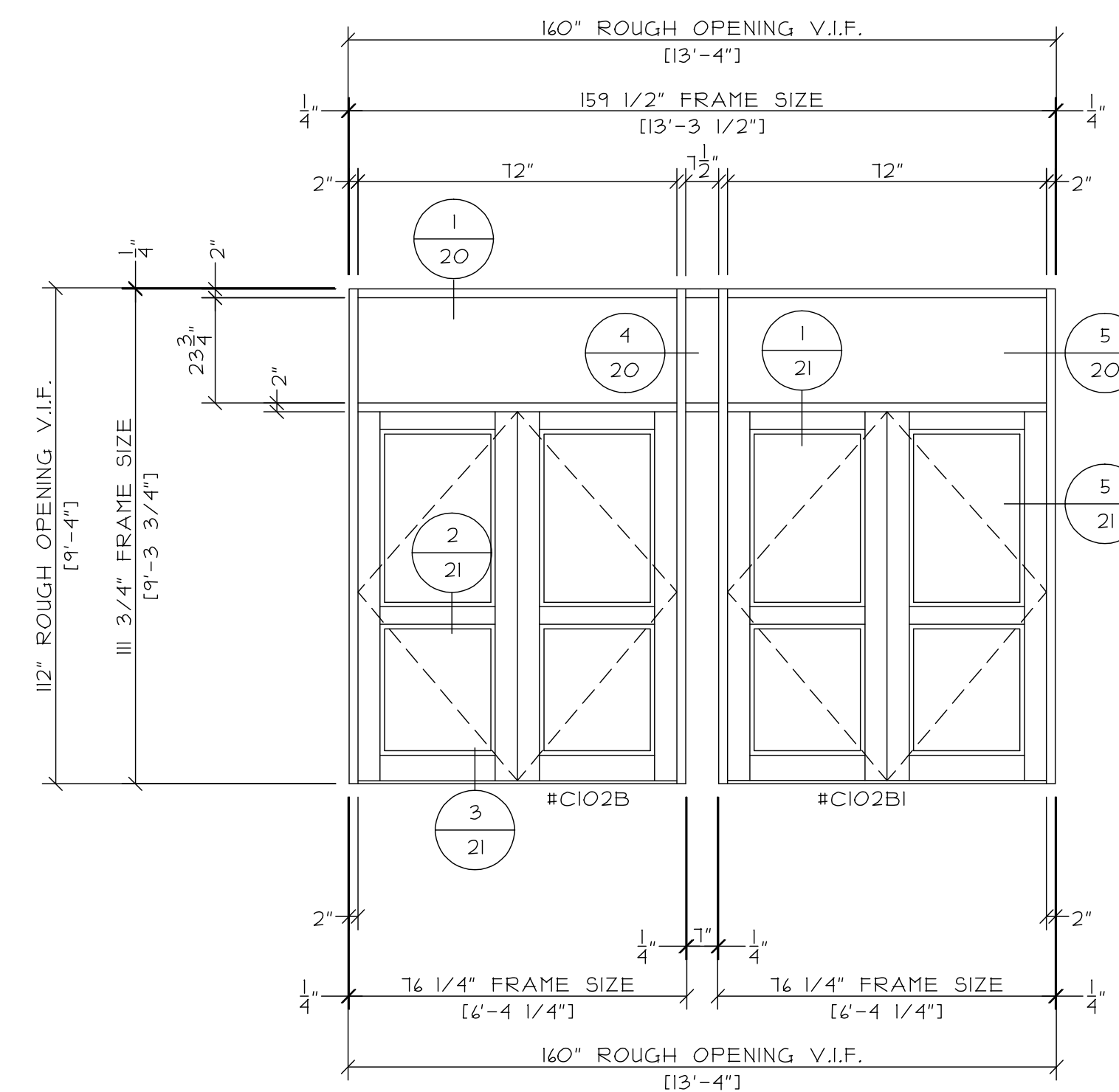
- WL - DENOTES LOCATION OF WINDLOAD ANCHOR
SEE DETAIL 1A ON PAGE 15
- Tl - DENOTES LOCATION OF "F" ANCHOR
SEE DETAIL 5 ON PAGE 18
- Tt - DENOTES LOCATION OF "T" ANCHOR
SEE DETAIL 6 ON PAGE 18



BB
1 TOTAL
1 1/4" RELIANCE WALL
DOOR# CIOIA - H.W. GROUP #14
& DOOR# CIOIAI - H.W. GROUP #13
TYPE 2 GLASS-UNLESS NOTED OTHERWISE



BB1
1/8 SCHOOL ENTRY - INTERIOR
1 TOTAL
1 1/4" RELIANCE WALL
TYPE 2A GLASS



BB2
118 VESTIBULE-INTERIOR
1 TOTAL
FG3000 SERIES VISTA WALL STOREFRONT
DOOR# CIO2B - H.W. GROUP #19
& DOOR# CIO2BI - H.W. GROUP #20
TYPE 2A GLASS

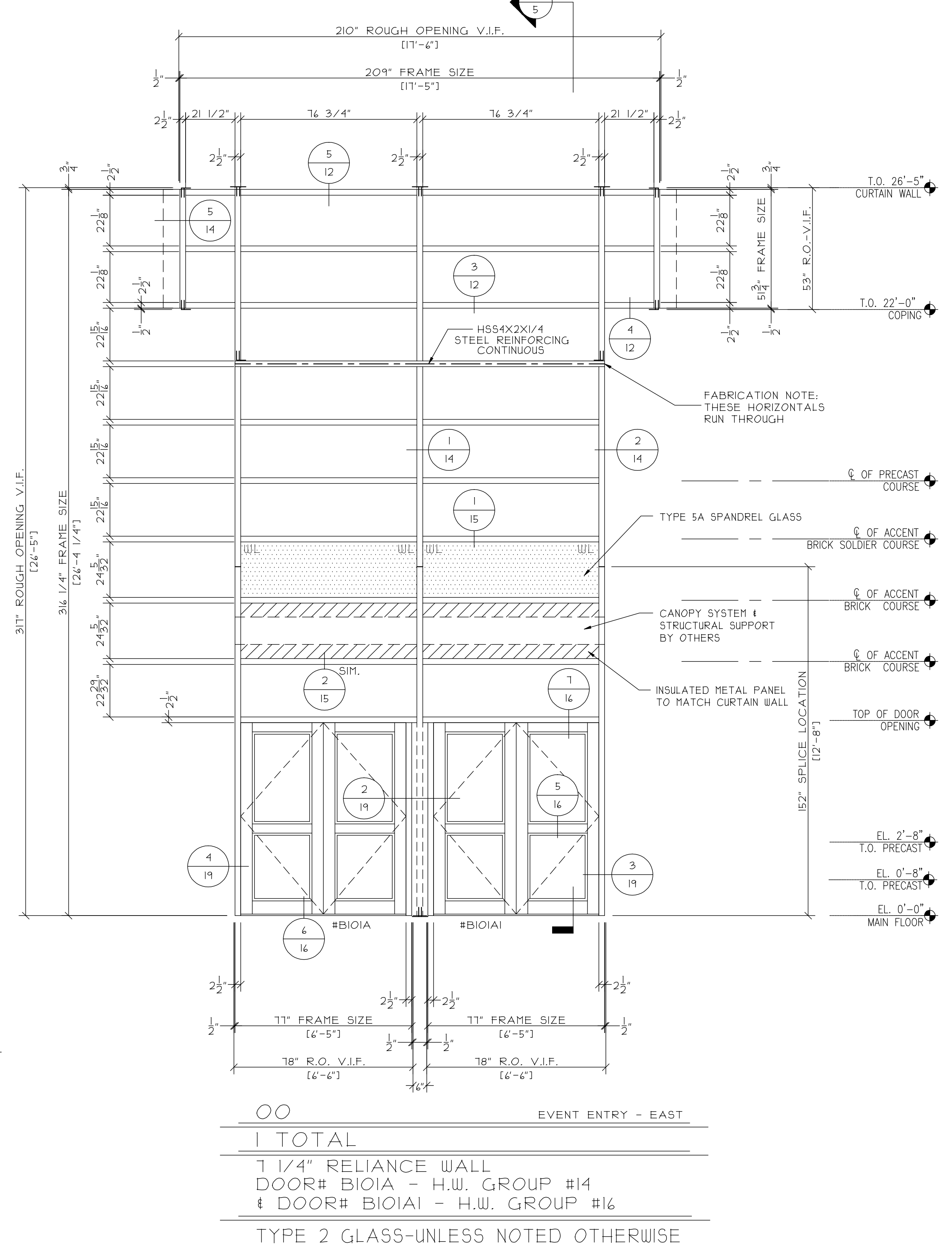
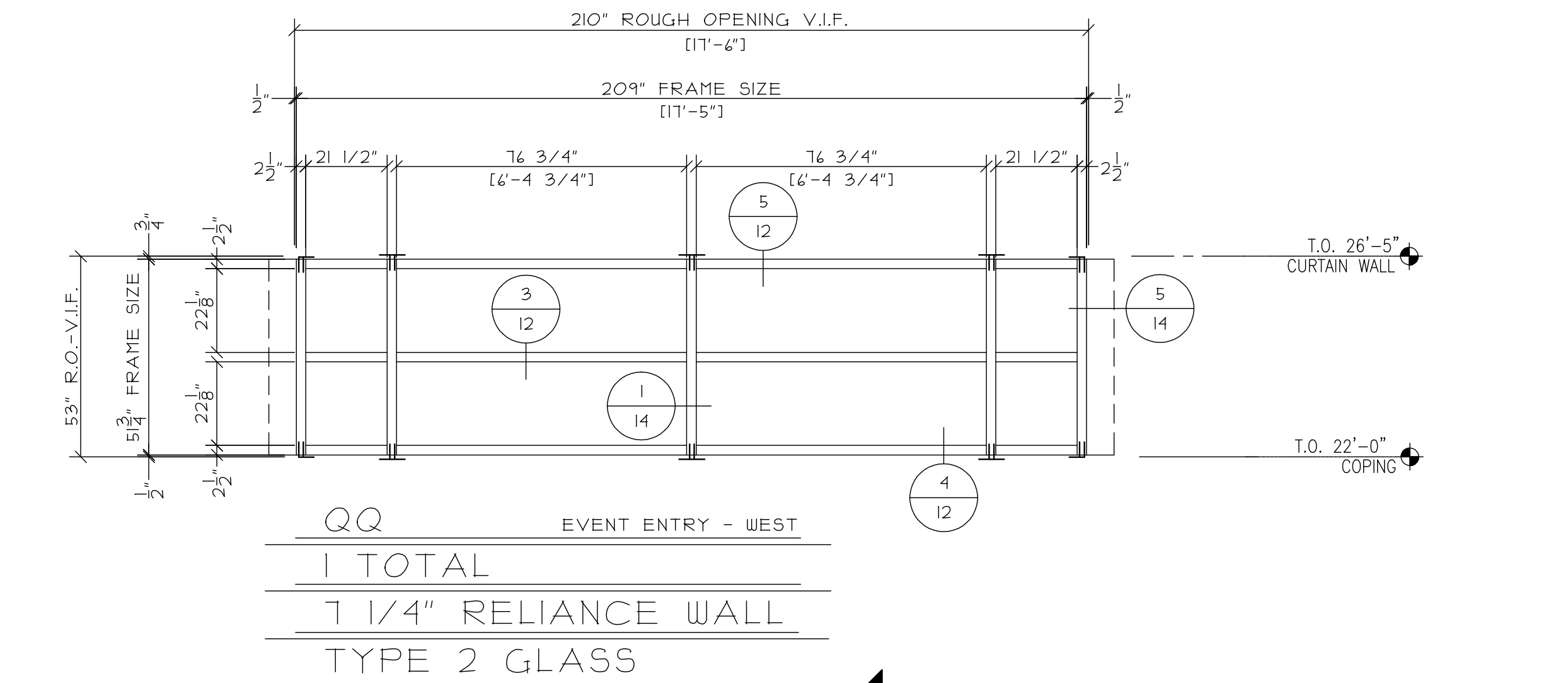
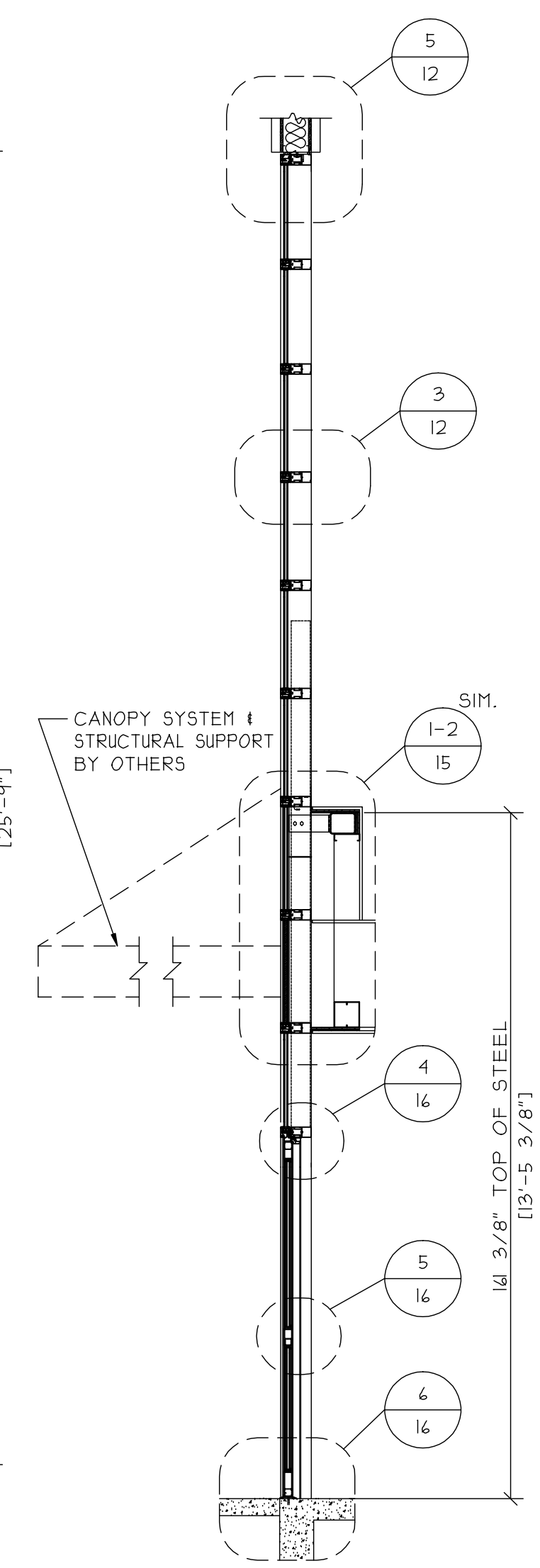
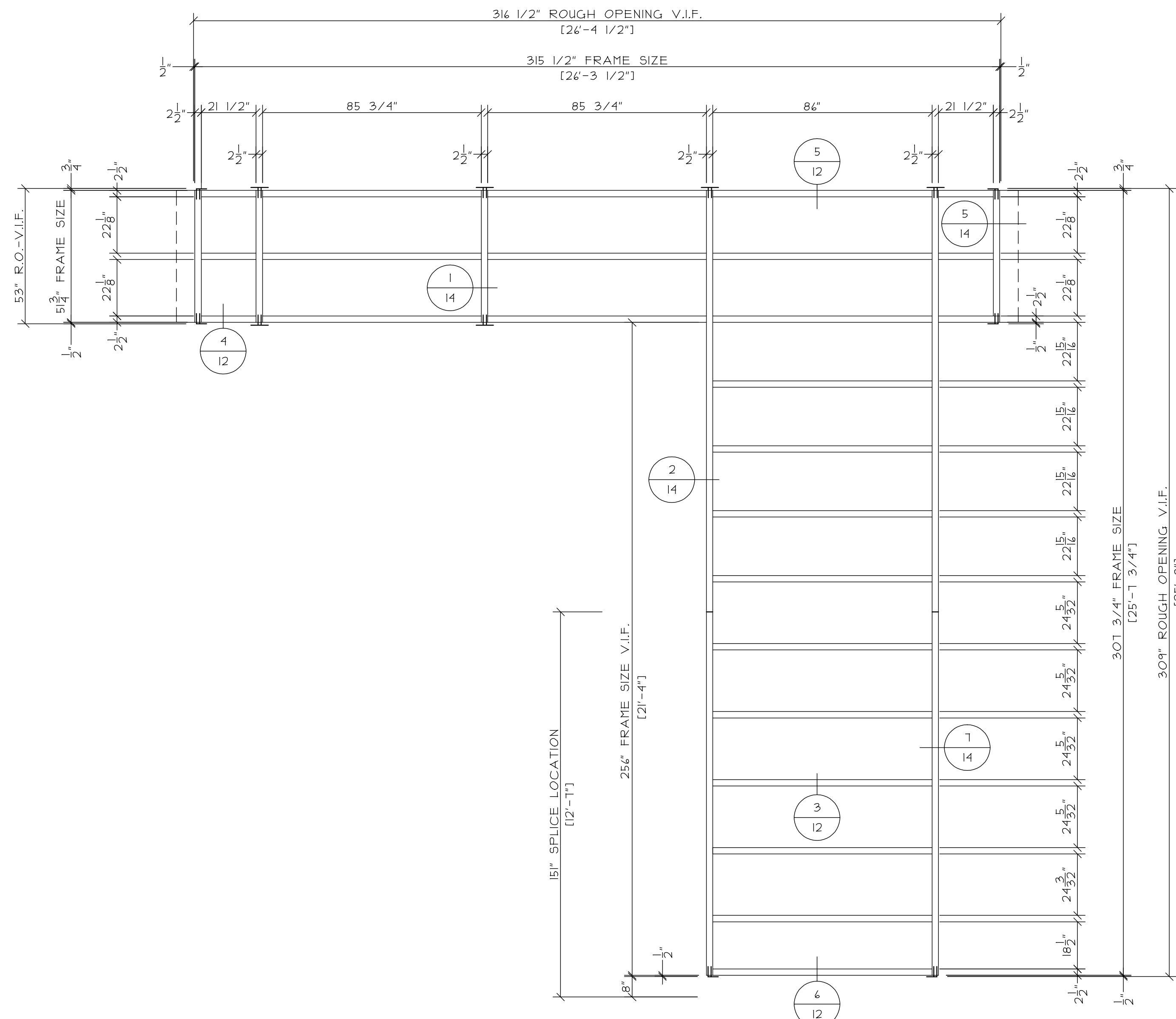
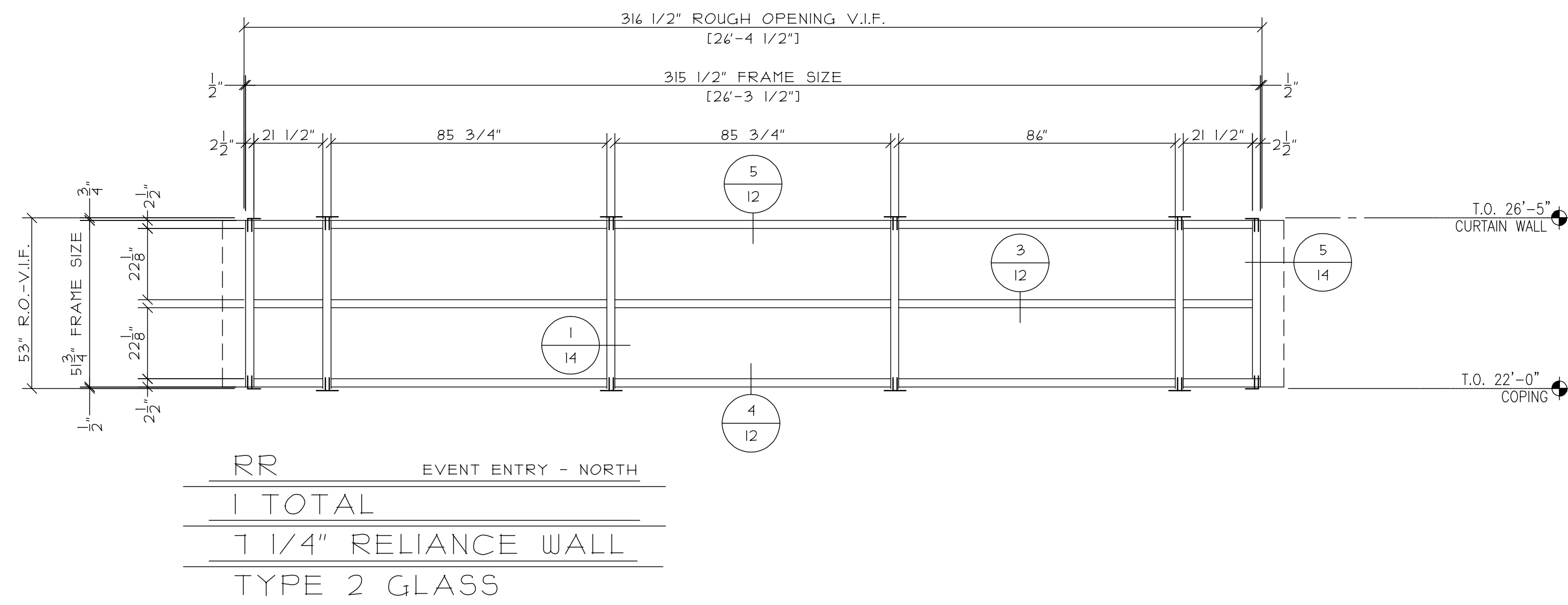
REVISIONS	DATE

GLAZING CONTRACTOR:
SAMPLE SAMPLE SAMPLE
SAMPLE SAMPLE SAMPLE
SAMPLE SAMPLE SAMPLE
SAMPLE SAMPLE SAMPLE
SAMPLE SAMPLE SAMPLE

ARCHITECT:
SAMPLE SAMPLE SAMPLE
SAMPLE SAMPLE SAMPLE
SAMPLE SAMPLE SAMPLE
SAMPLE SAMPLE SAMPLE
SAMPLE SAMPLE SAMPLE

PROJECT: SAMPLE SAMPLE SAMPLE
LOCATION: SAMPLE SAMPLE SAMPLE

SCALE:
3/8" = 1'-0"
DATE:
SAMPLE
PAGE:
4 of 22



- WL - DENOTES LOCATION OF WINDLOAD ANCHOR
SEE DETAIL 1A ON PAGE 15
- T - DENOTES LOCATION OF "T" ANCHOR
SEE DETAIL 6 ON PAGE 18

PP
1 TOTAL
1 1/4" RELIANCE WALL
TYPE 2 GLASS

SECTION "S5"
REF: A-14/A-012

OO
1 TOTAL
1 1/4" RELIANCE WALL
DOOR# BIOIA - H.W. GROUP #14
‡ DOOR# BIOIAI - H.W. GROUP #16
TYPE 2 GLASS-UNLESS NOTED OTHERWISE

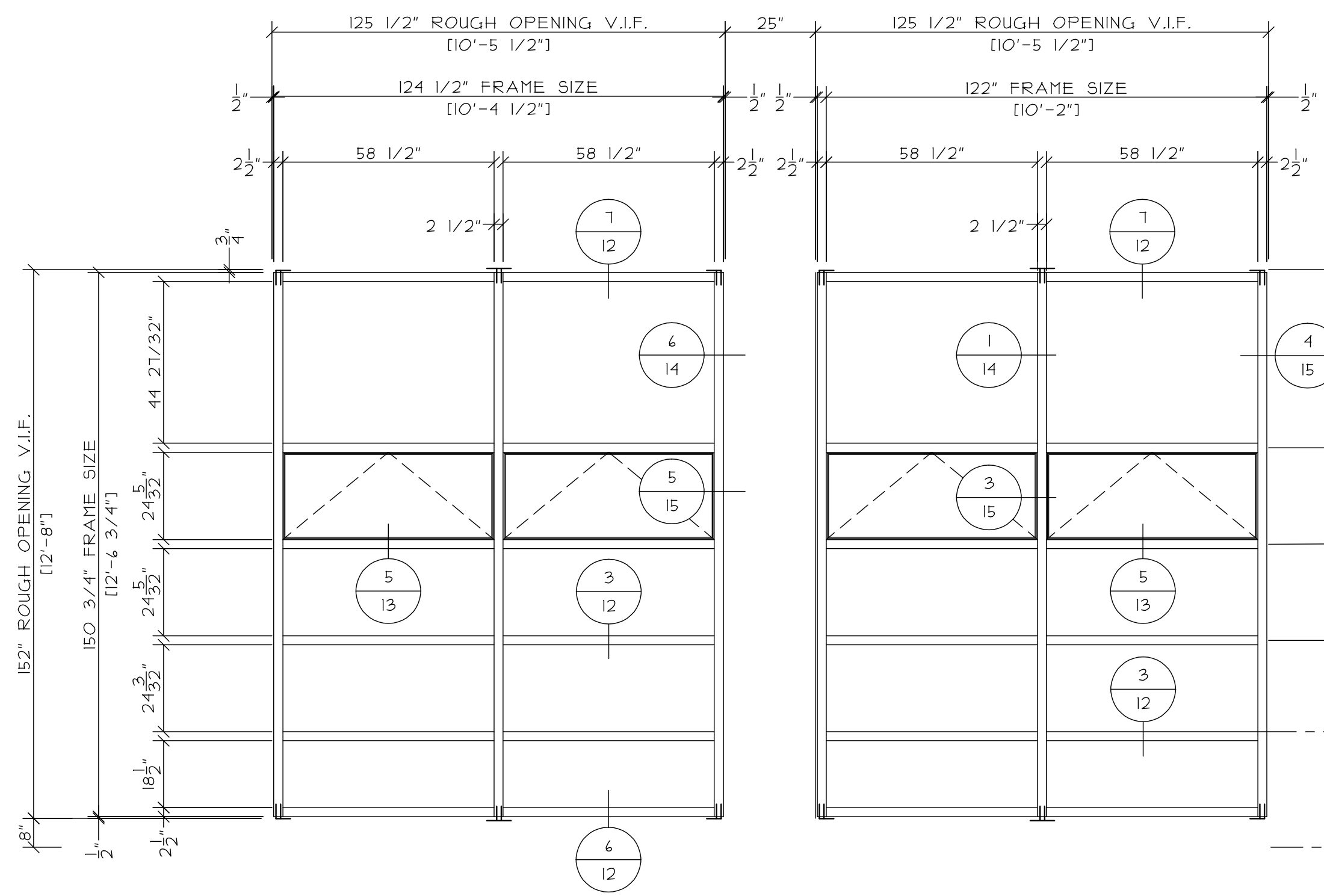
REVISIONS	DATE

GLAZING CONTRACTOR:
SAMPLE SAMPLE SAMPLE
SAMPLE SAMPLE SAMPLE
SAMPLE SAMPLE SAMPLE
SAMPLE SAMPLE SAMPLE
SAMPLE SAMPLE SAMPLE

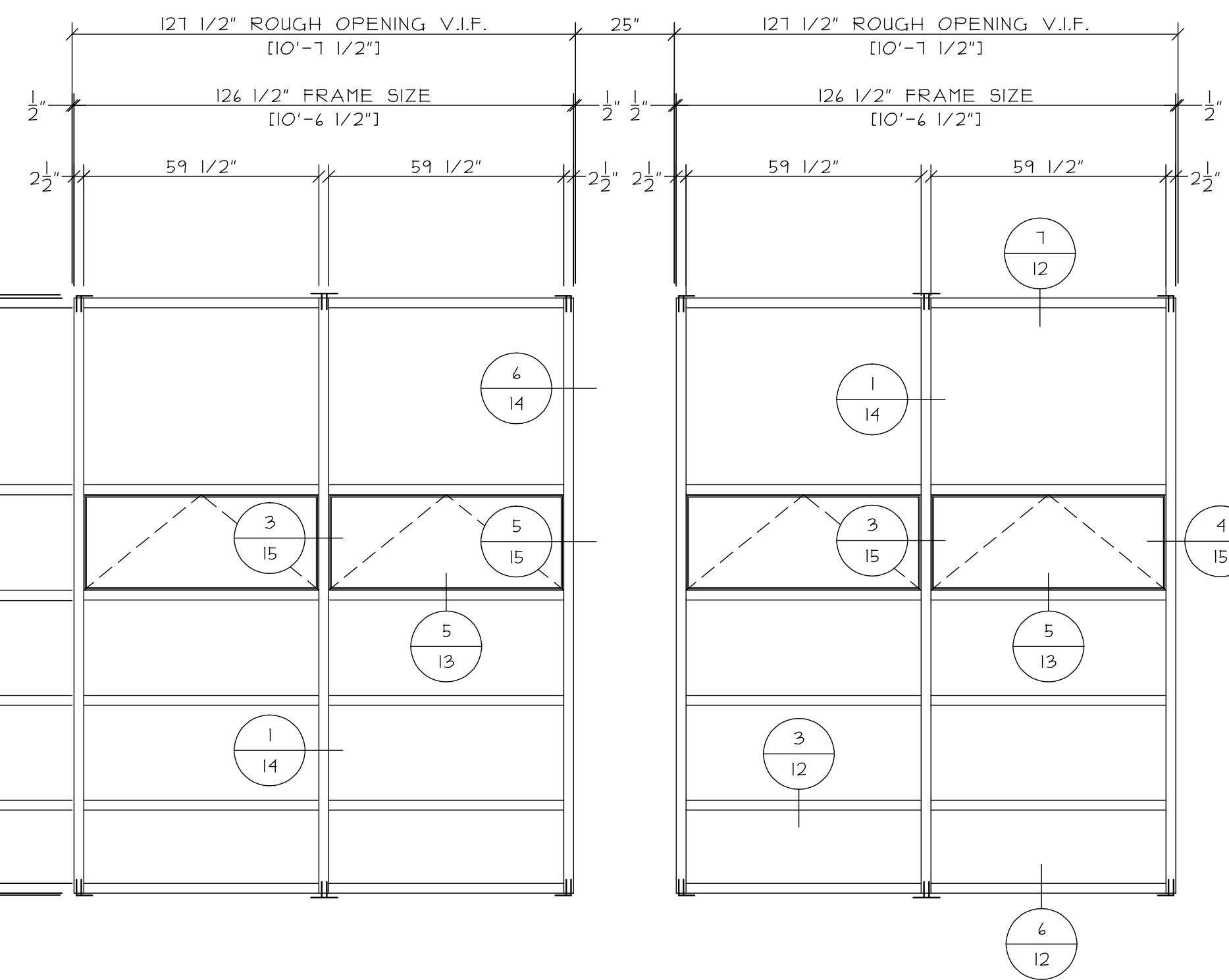
ARCHITECT:
SAMPLE SAMPLE SAMPLE
SAMPLE SAMPLE SAMPLE
SAMPLE SAMPLE SAMPLE
SAMPLE SAMPLE SAMPLE
SAMPLE SAMPLE SAMPLE

PROJECT: SAMPLE SAMPLE SAMPLE
LOCATION: SAMPLE SAMPLE SAMPLE

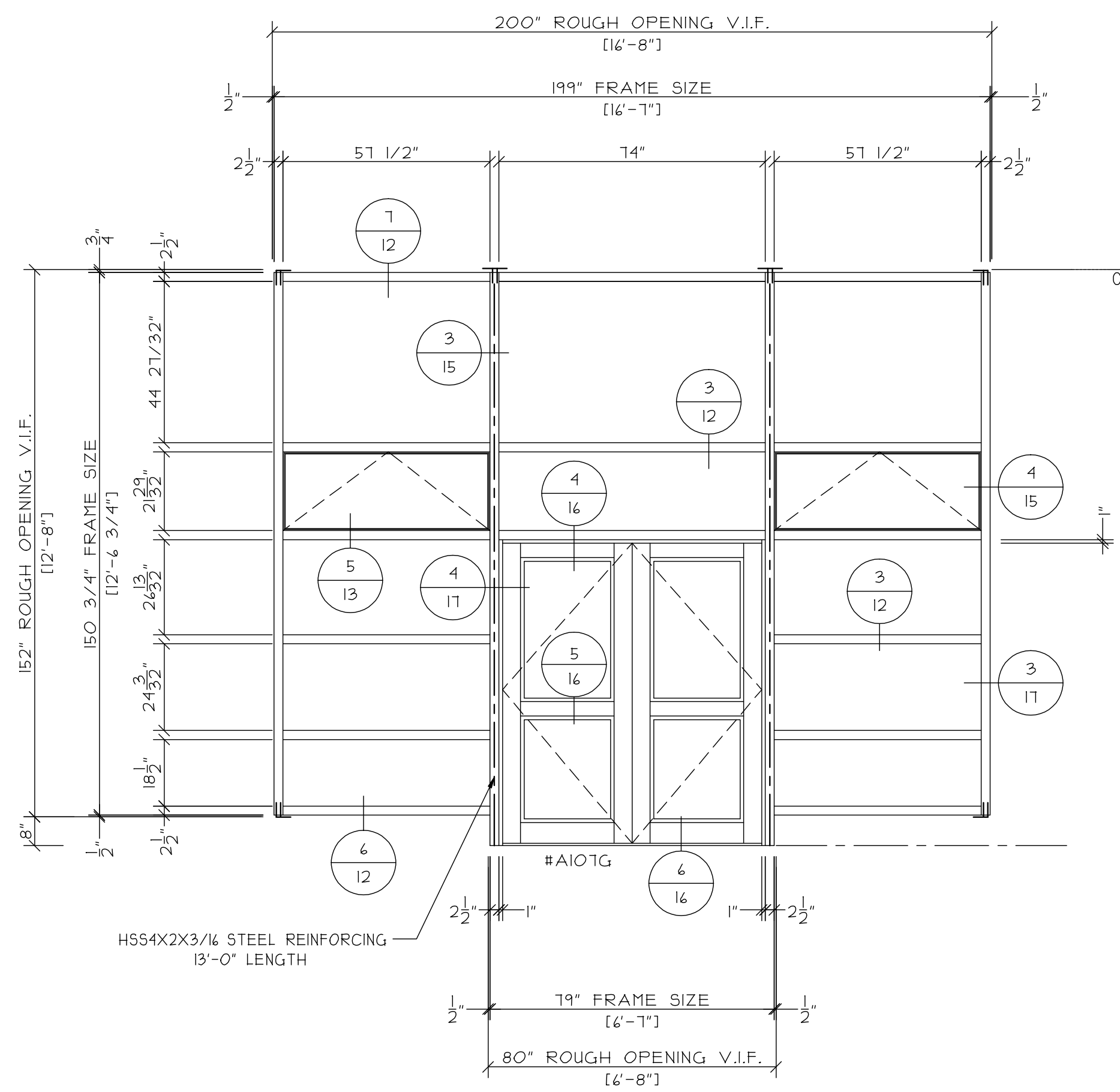
SCALE:
3/8" = 1'-0"
DATE:
SAMPLE
PAGE:
5 of 22



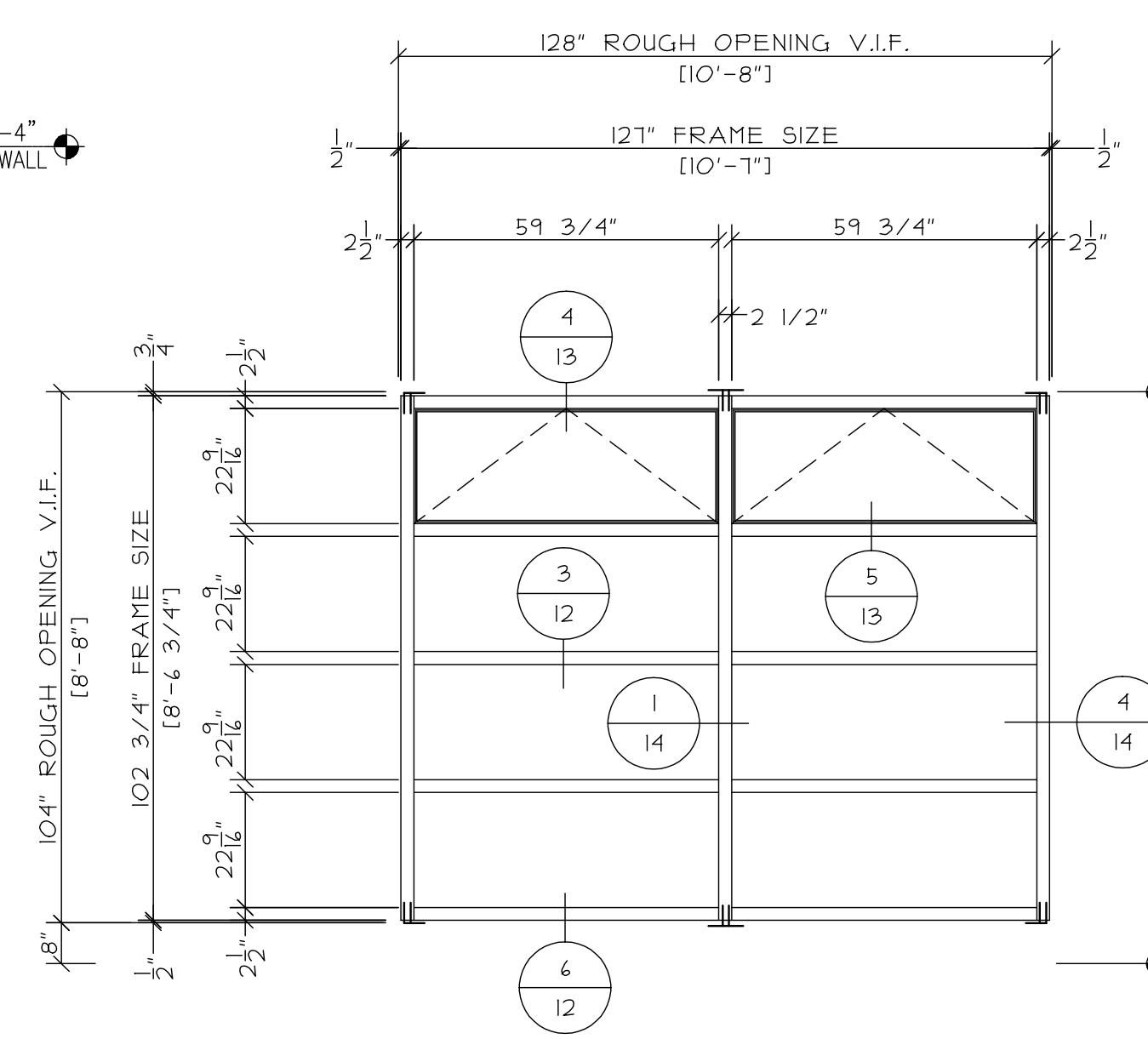
EE.1 CAFETERIA
 1 TOTAL
 1 1/4" RELIANCE WALL
 ‡ #ZS-2150 OPERABLE
 TYPE 2 GLASS



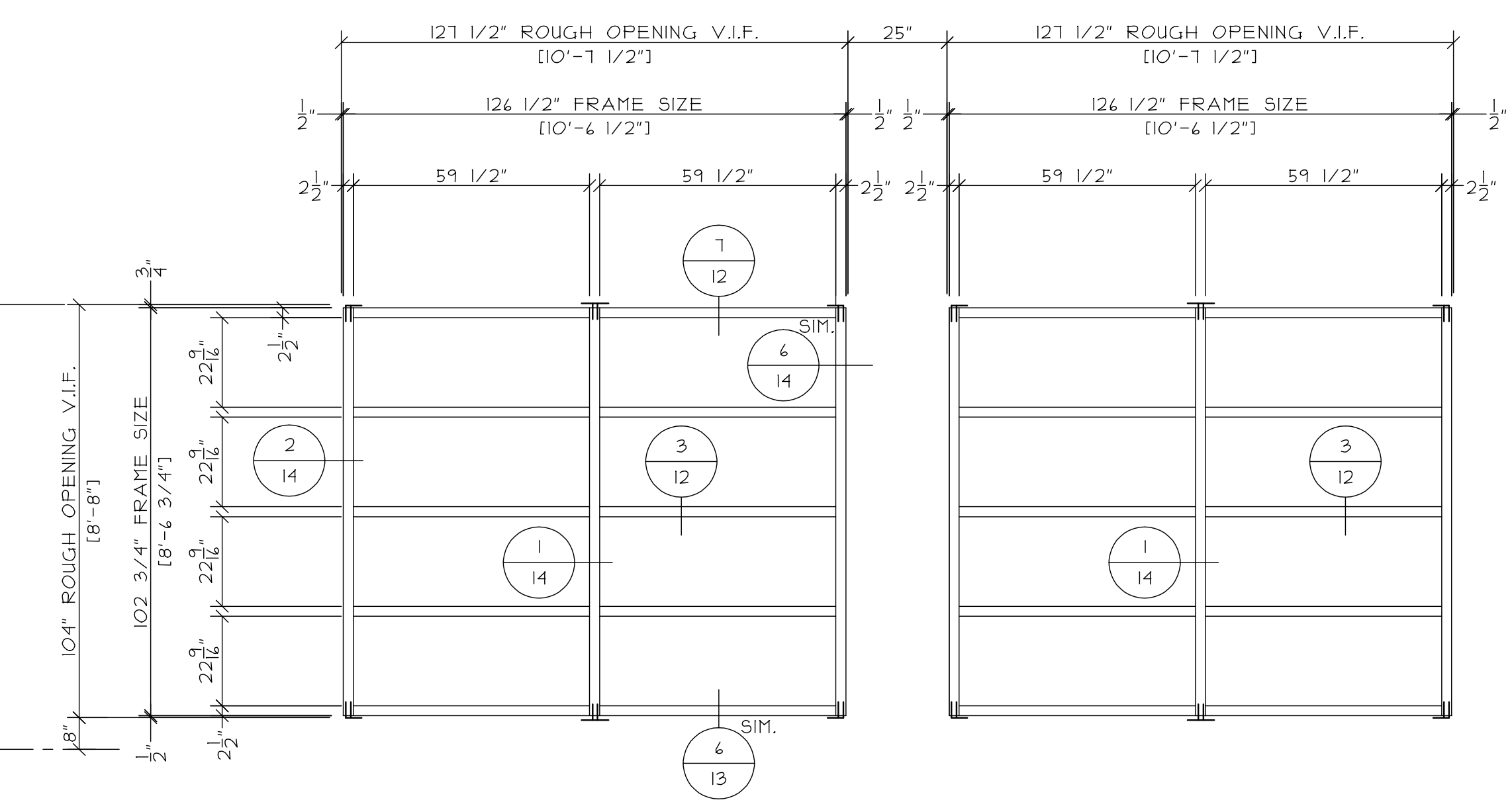
EE CAFETERIA
 2 TOTAL
 1 1/4" RELIANCE WALL
 ‡ #ZS-2150 OPERABLE
 TYPE 2 GLASS



GG CAFETERIA
 1 TOTAL
 1 1/4" RELIANCE WALL
 ‡ #ZS-2150 OPERABLE
 DOOR# A10TG - H.W. GROUP #13
 TYPE 2 GLASS



FF FACULTY CAFETERIA
 1 TOTAL
 1 1/4" RELIANCE WALL
 ‡ #ZS-2150 OPERABLE
 TYPE 2 GLASS



HH CAFETERIA
 1 TOTAL
 1 1/4" RELIANCE WALL
 TYPE 2 GLASS

⌈ - DENOTES LOCATION OF "F" ANCHOR
 SEE DETAIL 5 ON PAGE 18
 ⌋ - DENOTES LOCATION OF "T" ANCHOR
 SEE DETAIL 6 ON PAGE 18

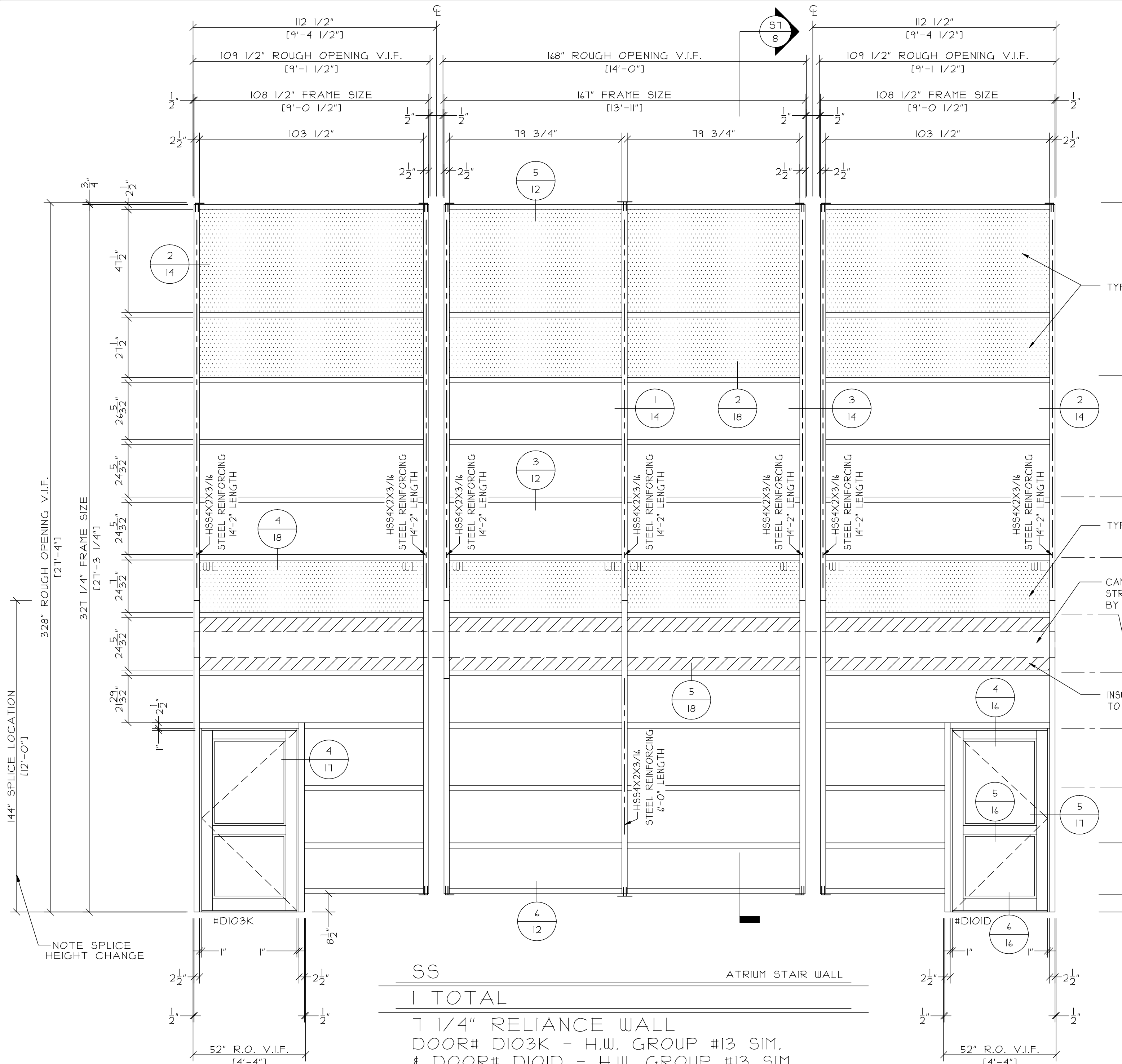
REVISIONS	DATE

GLAZING CONTRACTOR:
 SAMPLE SAMPLE SAMPLE
 SAMPLE SAMPLE SAMPLE
 SAMPLE SAMPLE SAMPLE
 SAMPLE SAMPLE SAMPLE

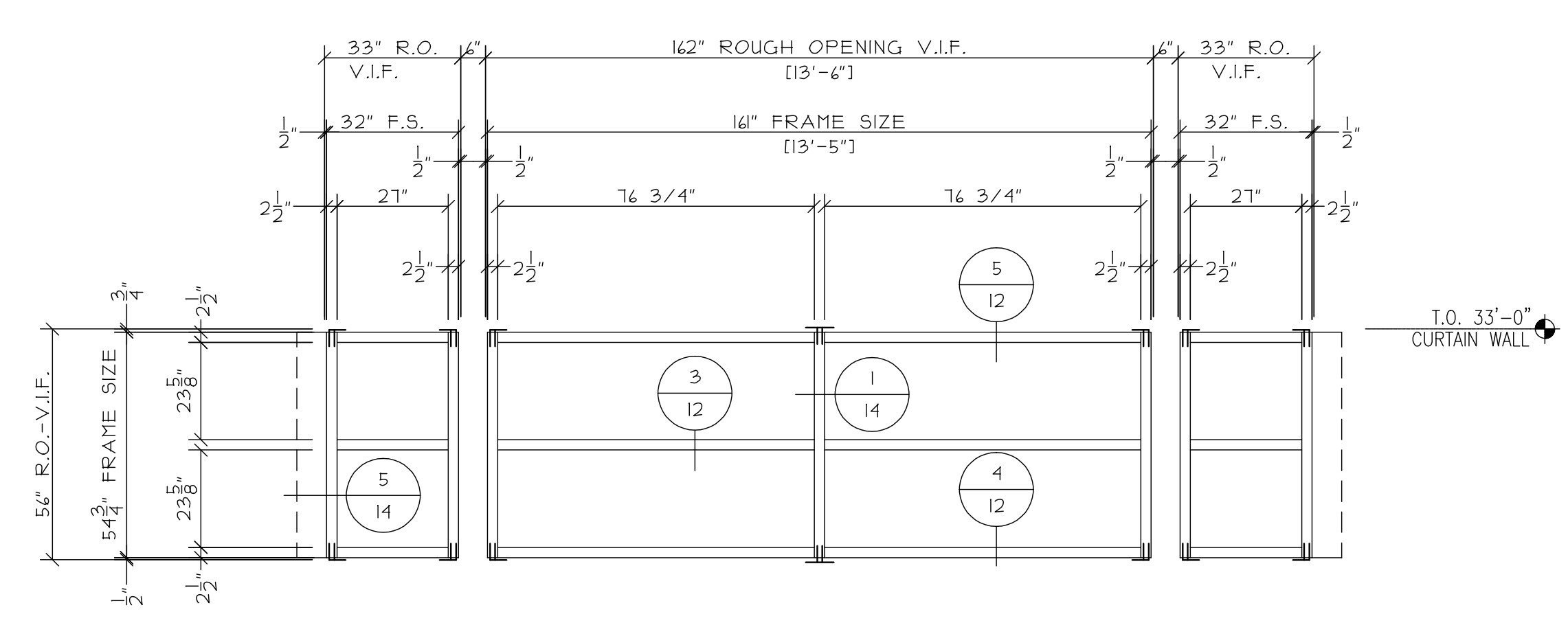
ARCHITECT:
 SAMPLE SAMPLE SAMPLE
 SAMPLE SAMPLE SAMPLE
 SAMPLE SAMPLE SAMPLE
 SAMPLE SAMPLE SAMPLE

PROJECT: SAMPLE SAMPLE SAMPLE
 LOCATION: SAMPLE SAMPLE SAMPLE

SCALE:
 3/8" = 1'-0"
 DATE:
 SAMPLE
 PAGE:
 6 of 22

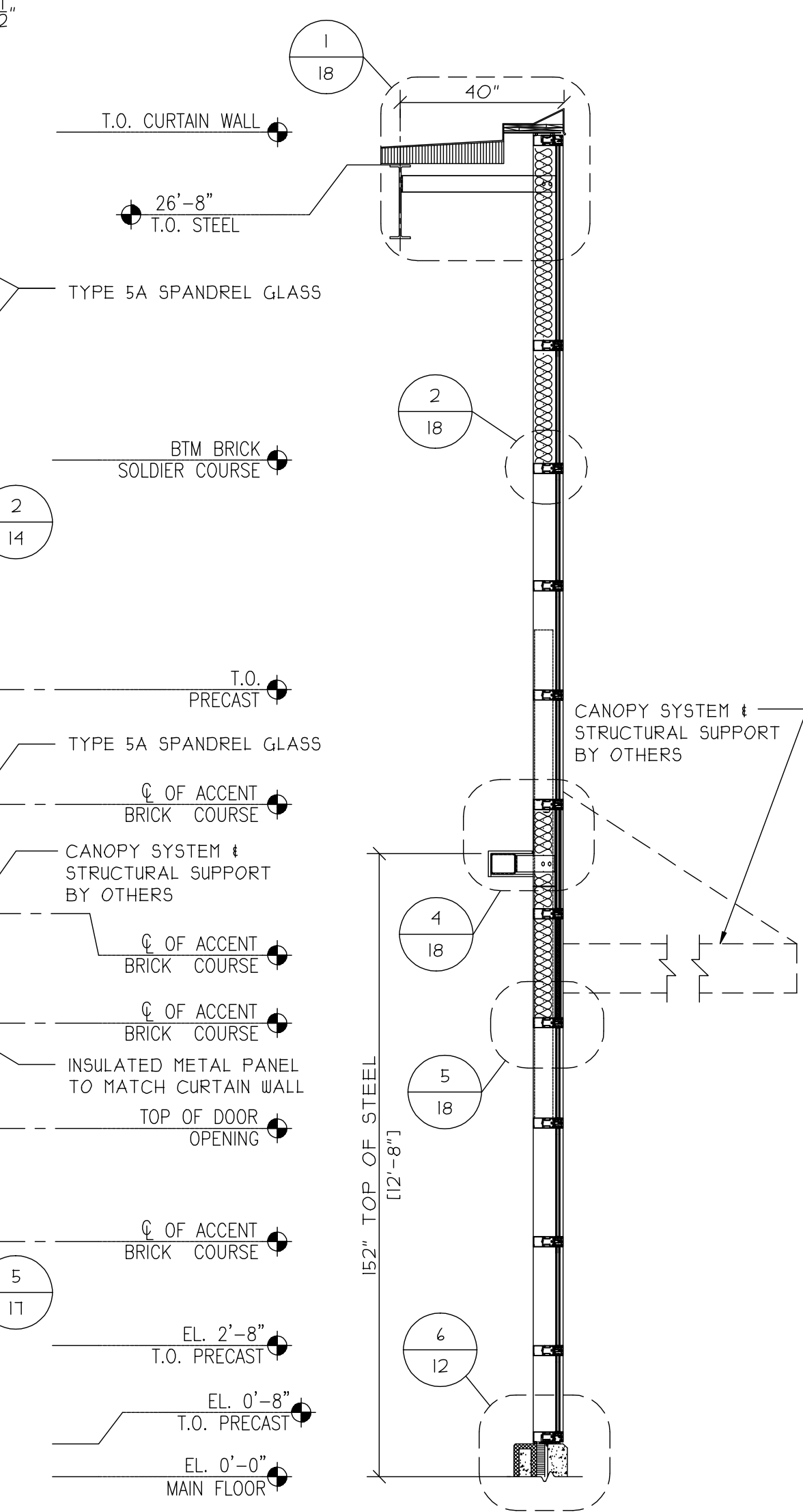


SS
 1 TOTAL
 1 1/4" RELIANCE WALL
 DOOR# DIO3K - H.W. GROUP #13 SIM.
 & DOOR# DIOID - H.W. GROUP #13 SIM.
 TYPE 2 GLASS UNLESS OTHERWISE NOTED

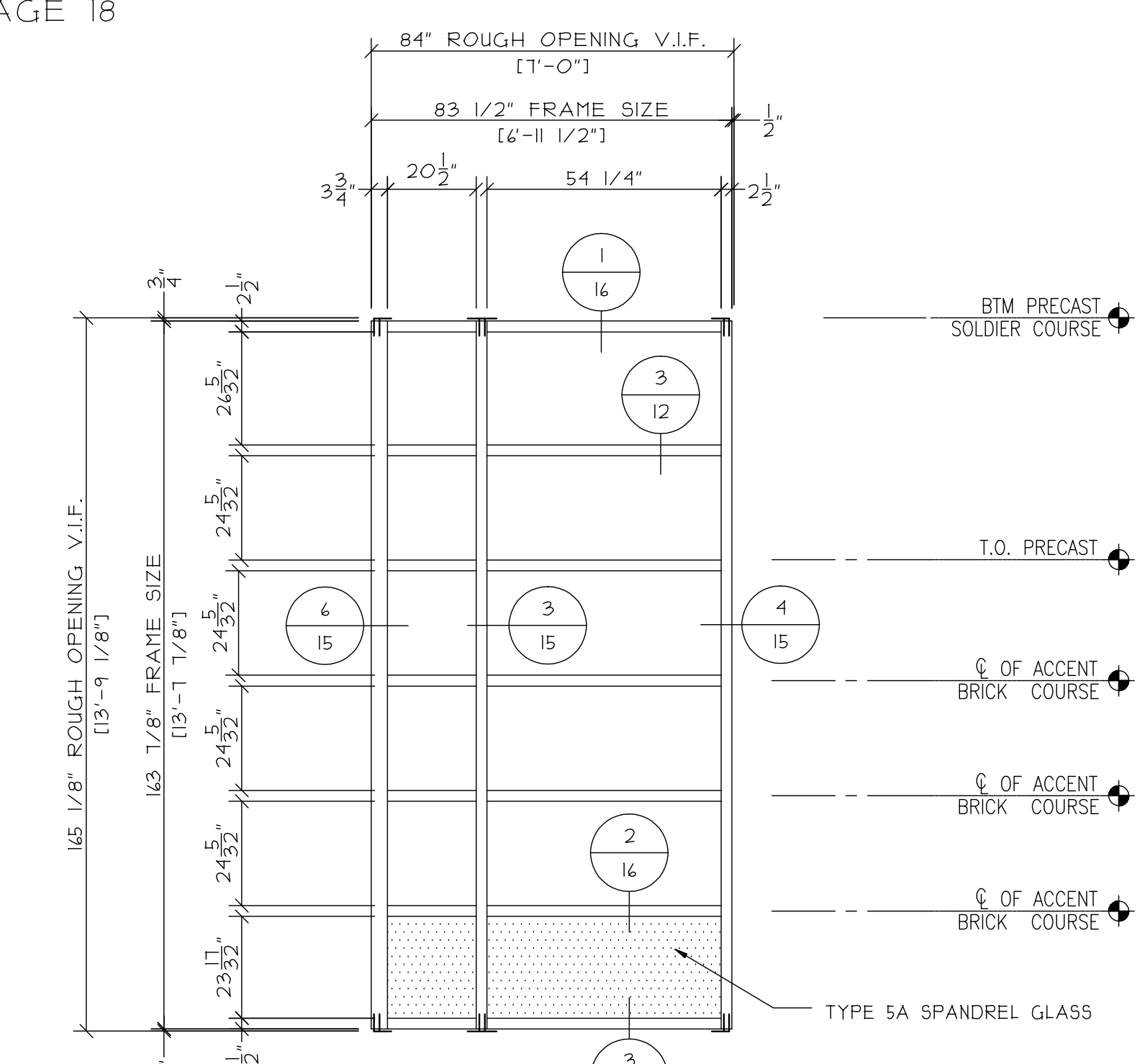


KK
 1 TOTAL
 1 1/4" RELIANCE WALL
 TYPE 2 GLASS UNLESS OTHERWISE NOTED

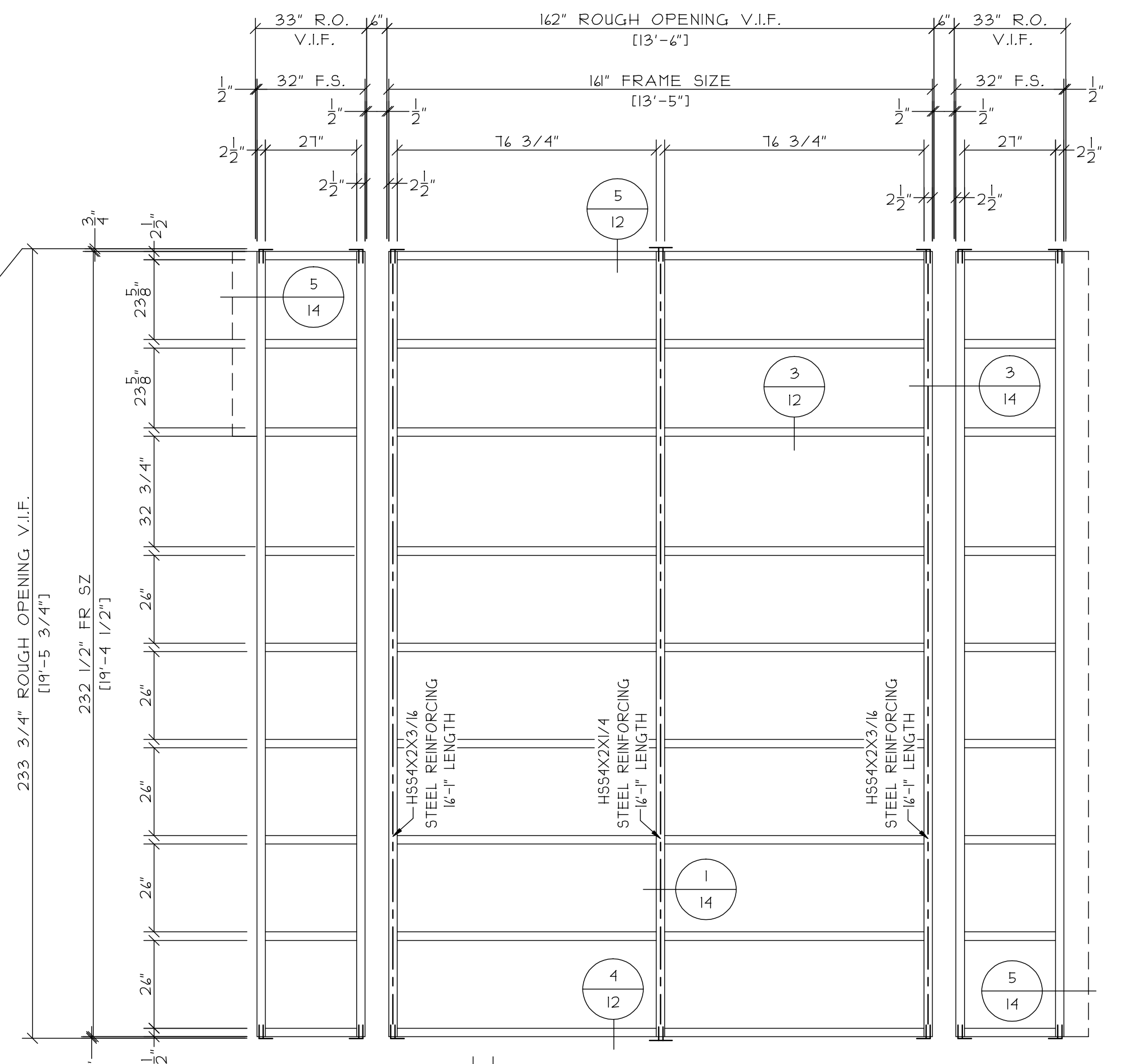
WL - DENOTES LOCATION OF WINDLOAD ANCHOR
 SEE DETAIL 1A ON PAGE 15
 TI - DENOTES LOCATION OF "F" ANCHOR
 SEE DETAIL 5 ON PAGE 18
 TT - DENOTES LOCATION OF "T" ANCHOR
 SEE DETAIL 6 ON PAGE 18



SECTION "S1"
 REF: A-10/A-012



TT & UU
 2 TOTAL & 2 OPPOSITE
 1 1/4" RELIANCE WALL
 TYPE 2 GLASS UNLESS OTHERWISE NOTED



LL
 1 TOTAL
 1 1/4" RELIANCE WALL
 TYPE 2 GLASS

REVISIONS	DATE

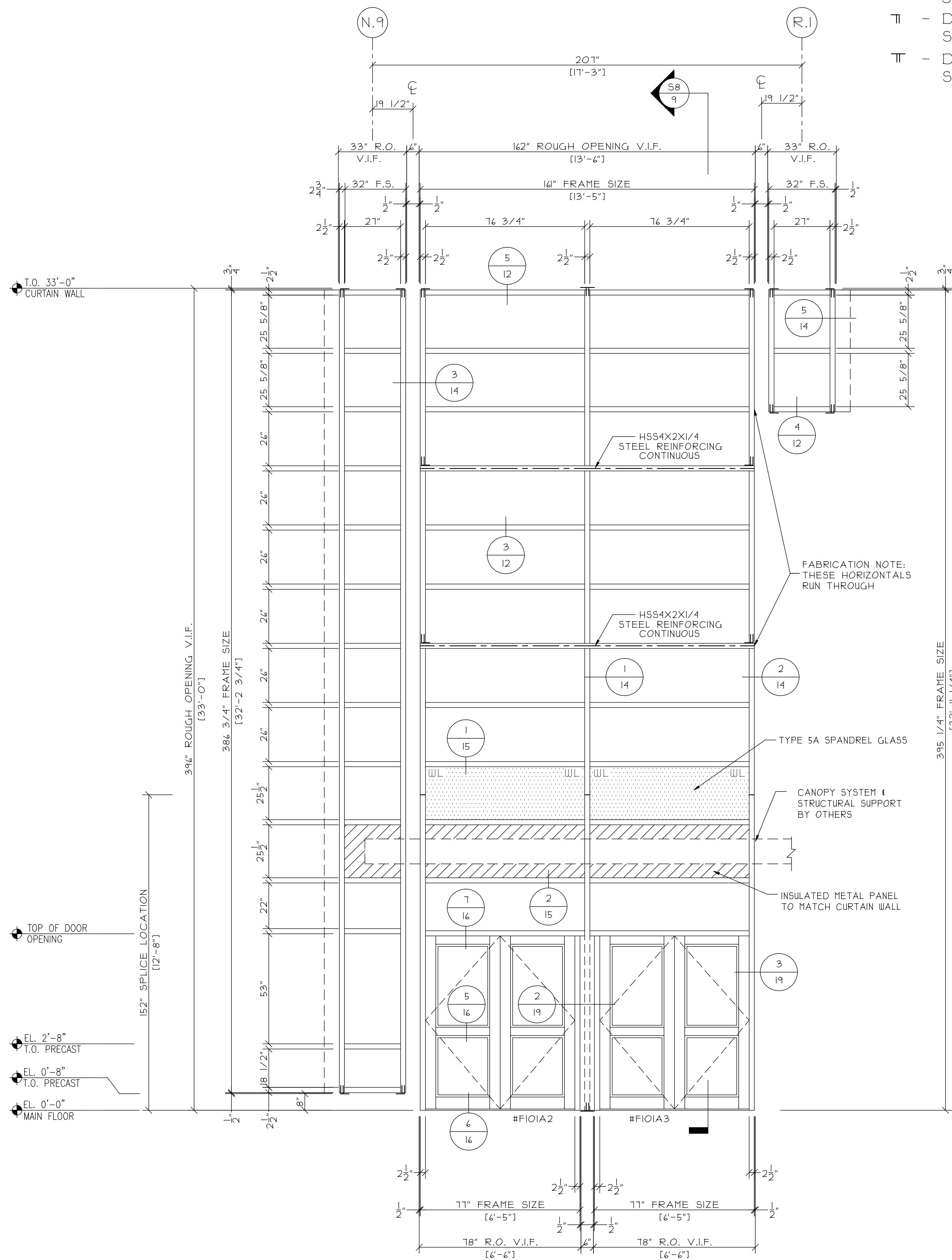
GLAZING CONTRACTOR:
 SAMPLE SAMPLE SAMPLE
 SAMPLE SAMPLE SAMPLE
 SAMPLE SAMPLE SAMPLE
 SAMPLE SAMPLE SAMPLE
 SAMPLE SAMPLE SAMPLE

ARCHITECT:
 SAMPLE SAMPLE SAMPLE
 SAMPLE SAMPLE SAMPLE
 SAMPLE SAMPLE SAMPLE
 SAMPLE SAMPLE SAMPLE
 SAMPLE SAMPLE SAMPLE

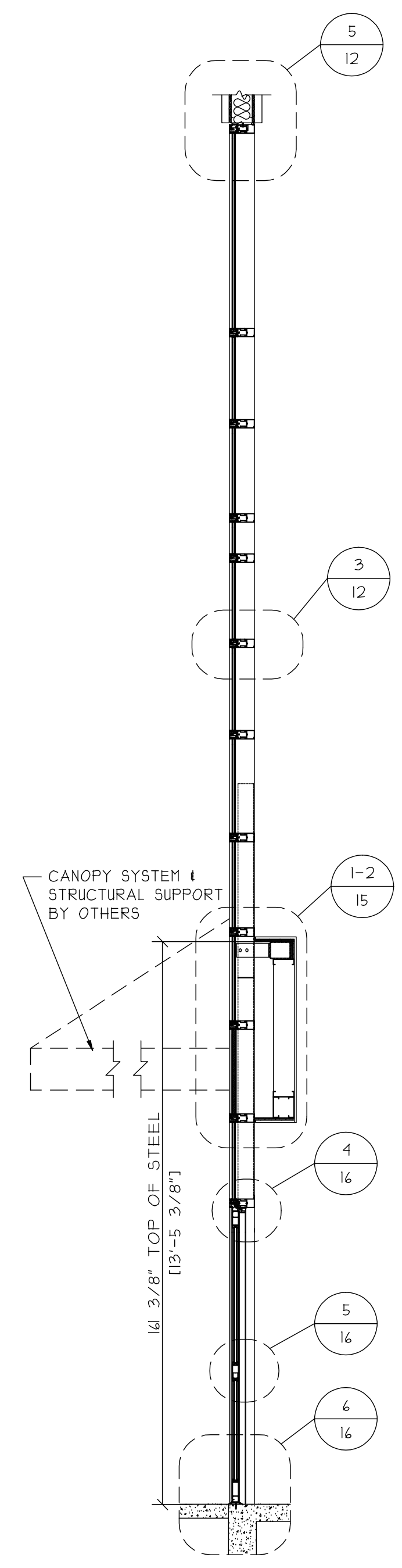
PROJECT: SAMPLE SAMPLE SAMPLE
 LOCATION: SAMPLE SAMPLE SAMPLE

SCALE:
 3/8" = 1'-0"
 DATE:
 SAMPLE
 PAGE:
 8 of 22

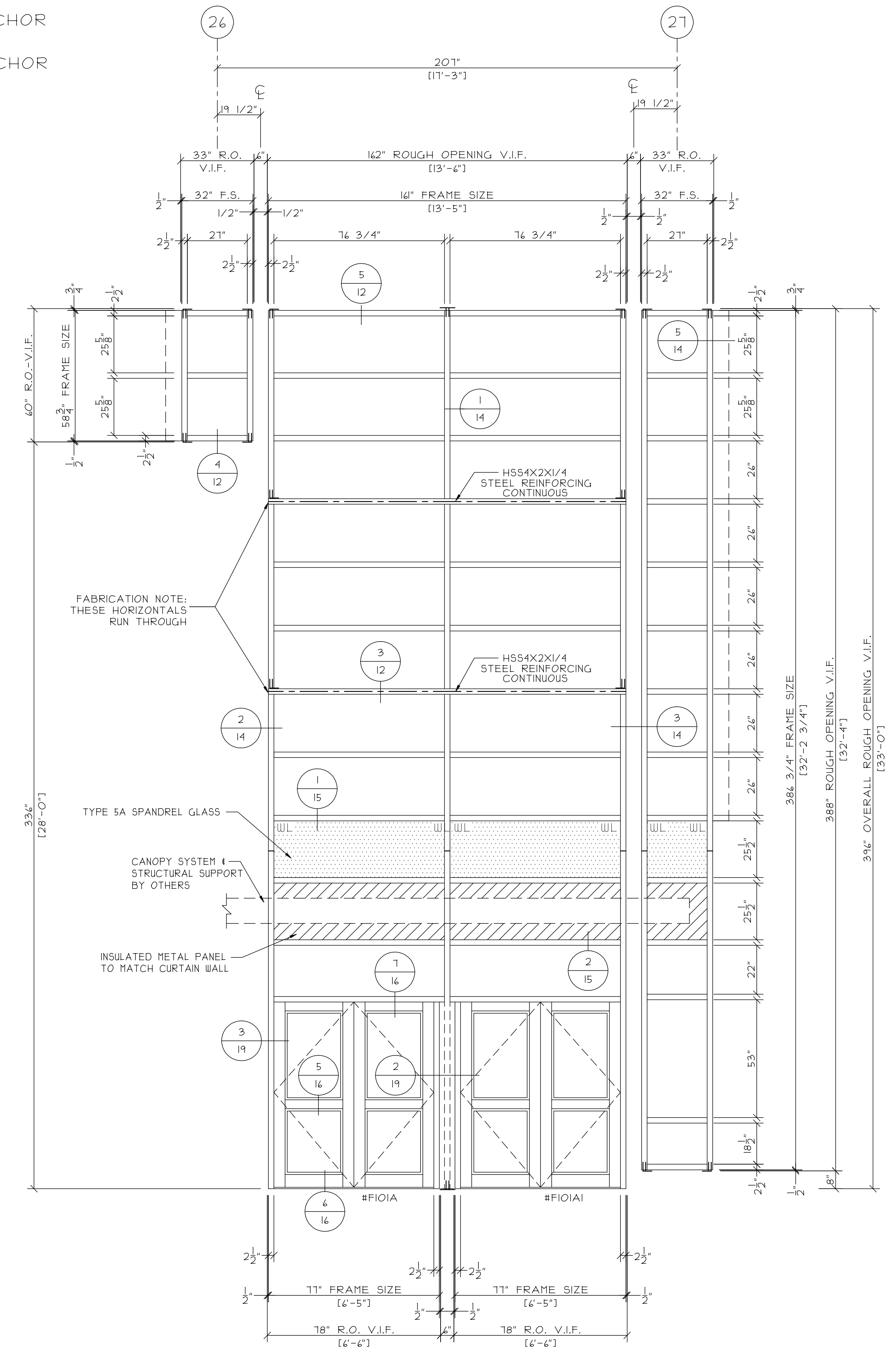
- WL - DENOTES LOCATION OF WINDLOAD ANCHOR
SEE DETAIL 1A ON PAGE 15
- T - DENOTES LOCATION OF "F" ANCHOR
SEE DETAIL 5 ON PAGE 18
- T - DENOTES LOCATION OF "T" ANCHOR
SEE DETAIL 6 ON PAGE 18



II
 1 TOTAL
 1 1/4" RELIANCE WALL
 DOOR# FIOIA2 - H.W. GROUP #14
 § DOOR# FIOIA3 - H.W. GROUP #16
 TYPE 2 GLASS UNLESS OTHERWISE NOTED



SECTION "S8"
 REF:A-14/A-OIO



JJ
 1 TOTAL
 1 1/4" RELIANCE WALL
 DOOR# FIOIA - H.W. GROUP #14
 § DOOR# FIOIA1 - H.W. GROUP #13
 TYPE 2 GLASS UNLESS OTHERWISE NOTED

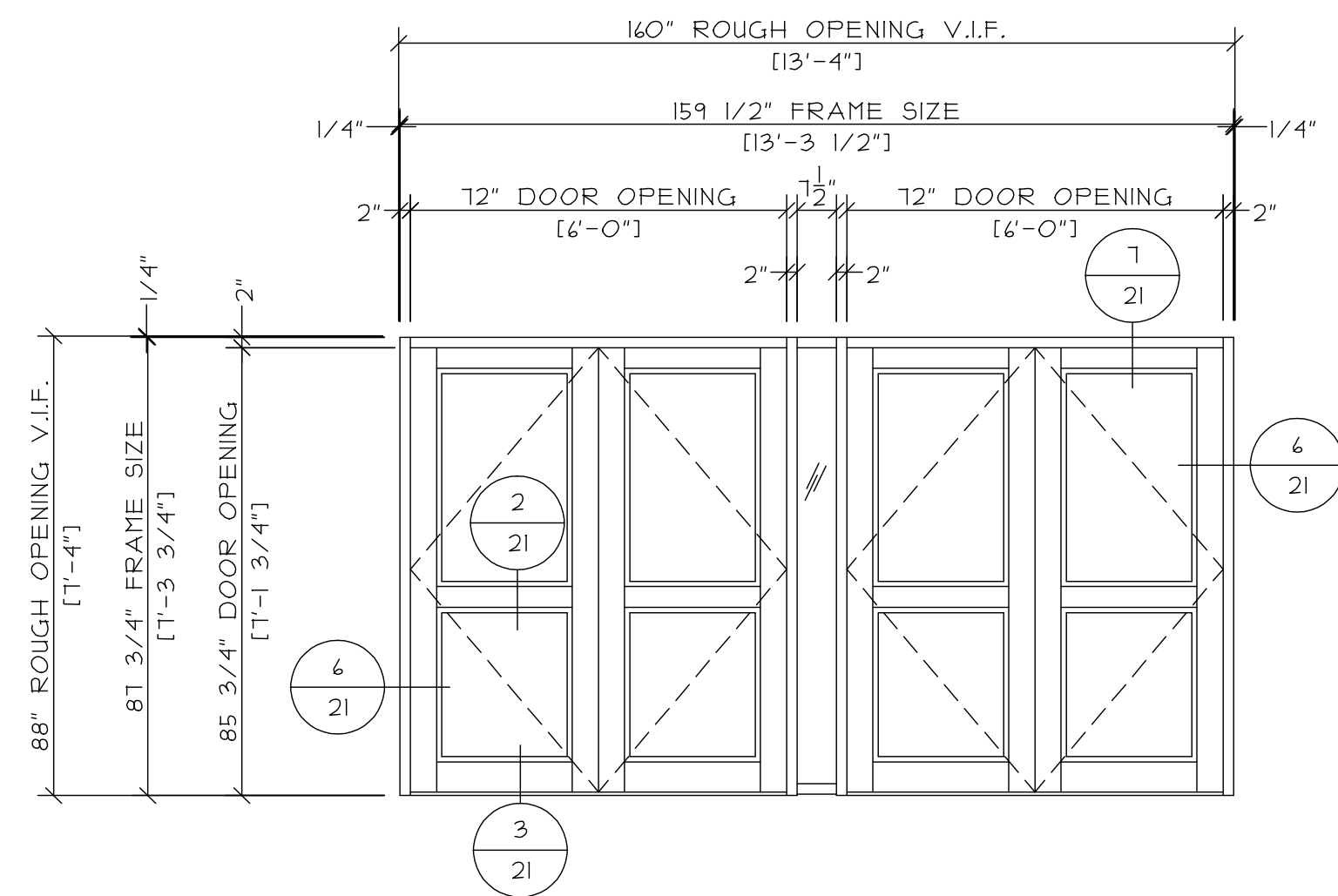
REVISIONS	DATE

GLAZING CONTRACTOR:
SAMPLE SAMPLE SAMPLE
SAMPLE SAMPLE SAMPLE
SAMPLE SAMPLE SAMPLE
SAMPLE SAMPLE SAMPLE

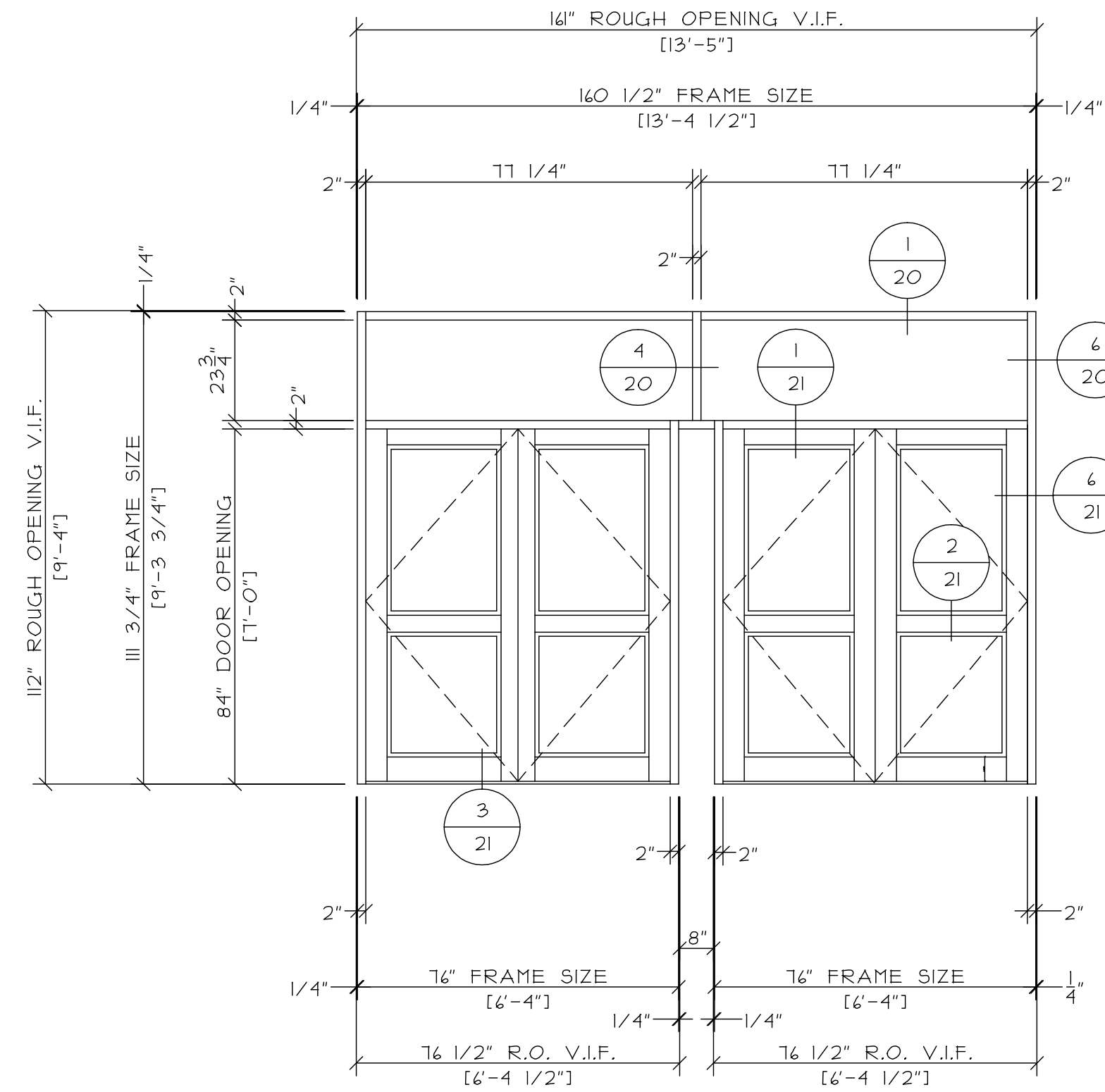
ARCHITECT:
SAMPLE SAMPLE SAMPLE
SAMPLE SAMPLE SAMPLE
SAMPLE SAMPLE SAMPLE
SAMPLE SAMPLE SAMPLE

PROJECT:	SAMPLE SAMPLE SAMPLE
LOCATION:	SAMPLE SAMPLE SAMPLE

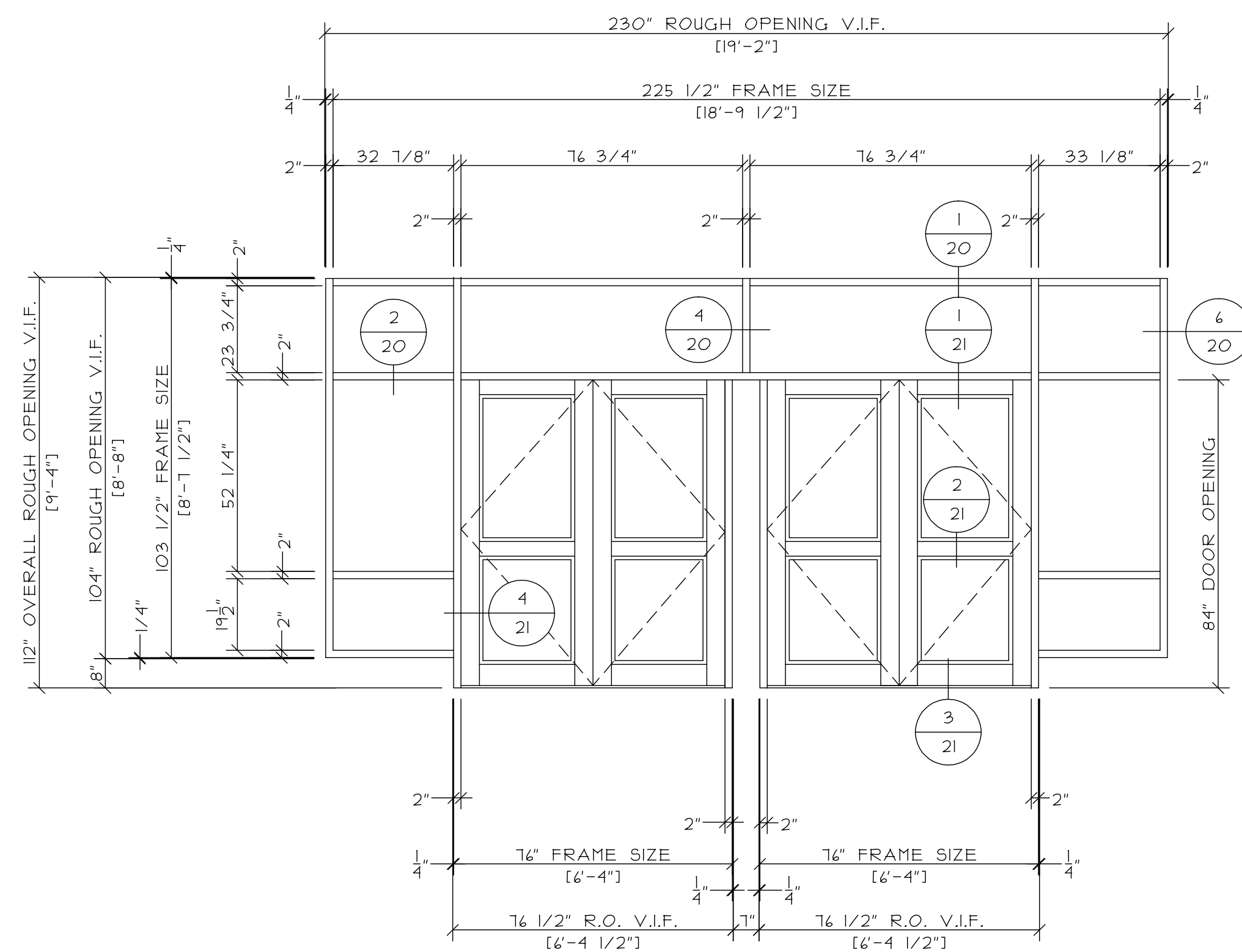
SCALE:	3/8" = 1'-0"
DATE:	SAMPLE
PAGE:	9 of 22



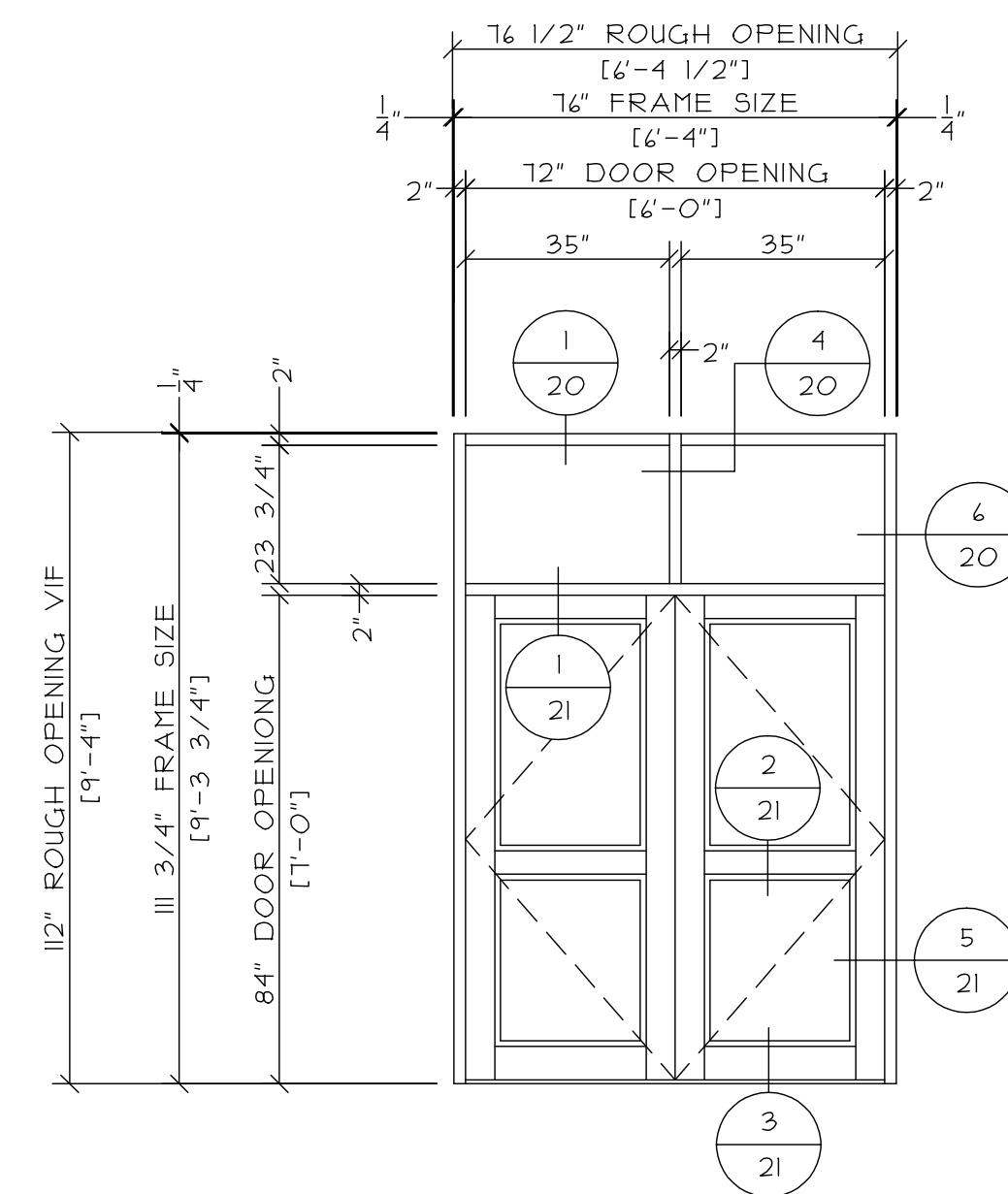
JJI 9/12 VESTIBULE
 I TOTAL
 FG3000 SERIES FRAME
 DOOR# FIOIB - H.W. GROUP #19
 DOOR# FIOBI - H.W. GROUP #20
 TYPE 2A GLASS



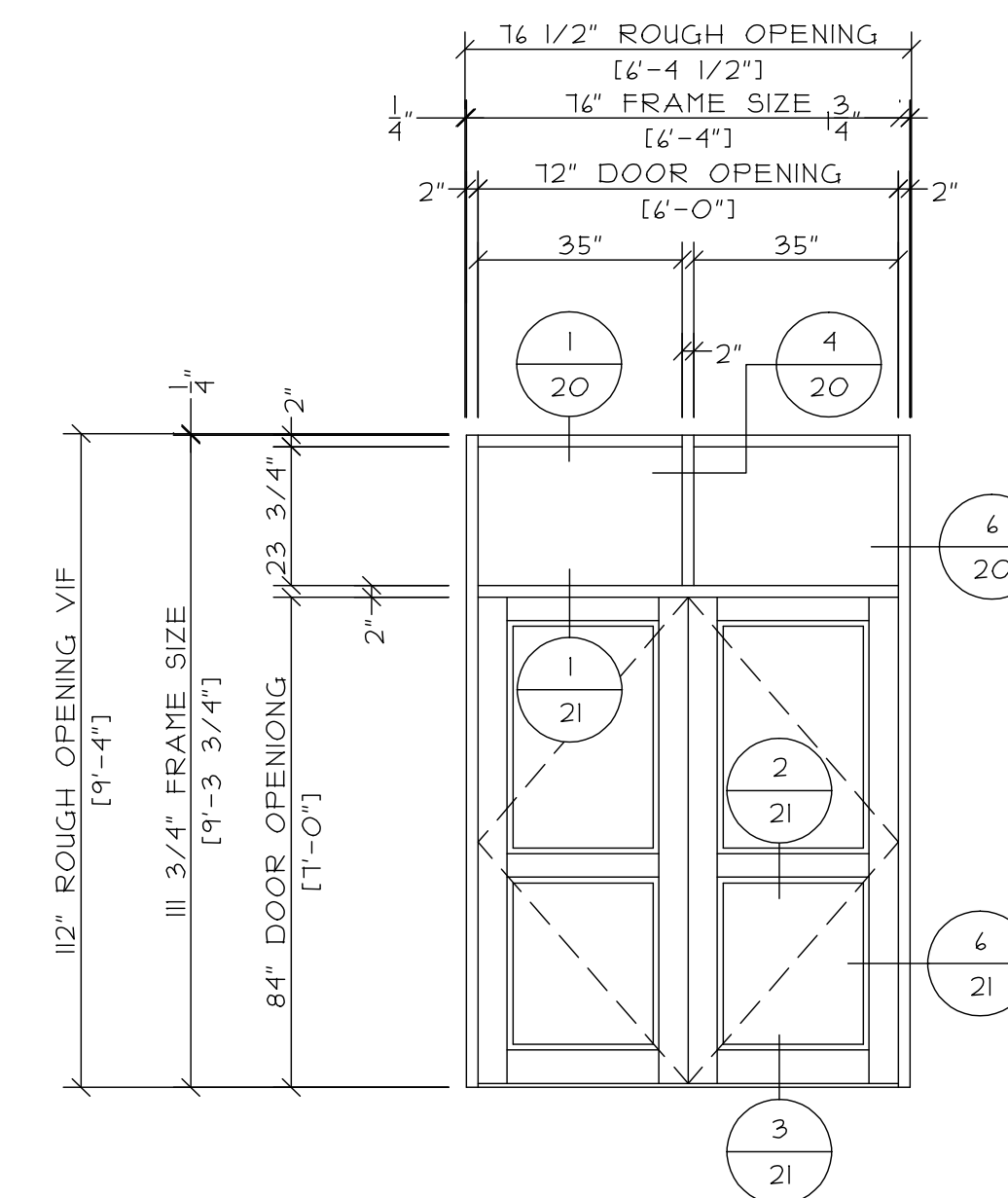
OOI EVENT ENTRY-NORTH INTERIOR
 I TOTAL
 FG3000 SERIES FRAME
 DOOR# BIOIB & BIOBI - H.W. GROUP #15
 TYPE 2A GLASS



MMI WEST VESTIBULE
 I TOTAL
 FG3000 SERIES FRAME
 DOOR# DIO8B & DIO8BI - H.W. GROUP #15
 TYPE 2A GLASS



VV JLE LEVEL A CORRIDOR
 I TOTAL
 FG3000 SERIES FRAME
 DOOR# AII4A - H.W. GROUP #3
 TYPE 2A GLASS
 VALSPAR REGAL RED PAINTED FINISH
 VALSPAR PAINT #SLI4AI31 FLUROPON



VVI JLE LEVEL A CORRIDOR
 I TOTAL
 FG3000 SERIES FRAME
 DOOR# AII4B - H.W. GROUP #4
 TYPE 2A GLASS
 VALSPAR REGAL RED PAINTED FINISH
 VALSPAR PAINT #SLI4AI31 FLUROPON

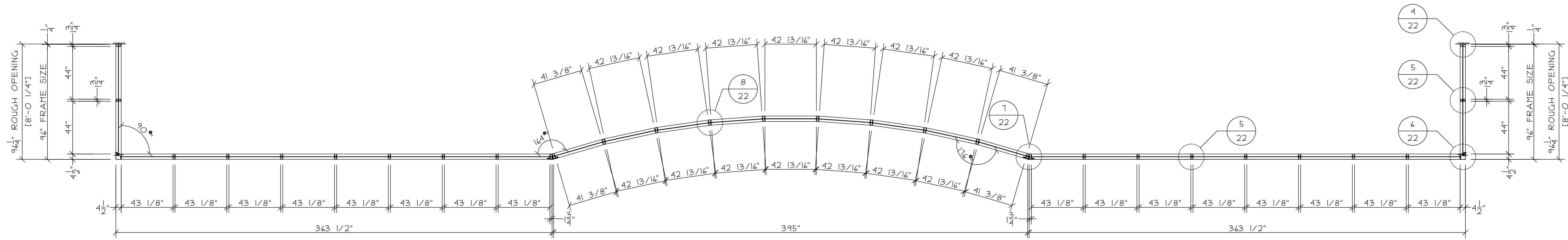
REVISIONS	DATE

GLAZING CONTRACTOR:
SAMPLE SAMPLE SAMPLE
SAMPLE SAMPLE SAMPLE
SAMPLE SAMPLE SAMPLE
SAMPLE SAMPLE SAMPLE
SAMPLE SAMPLE SAMPLE

ARCHITECT:
SAMPLE SAMPLE SAMPLE
SAMPLE SAMPLE SAMPLE
SAMPLE SAMPLE SAMPLE
SAMPLE SAMPLE SAMPLE
SAMPLE SAMPLE SAMPLE

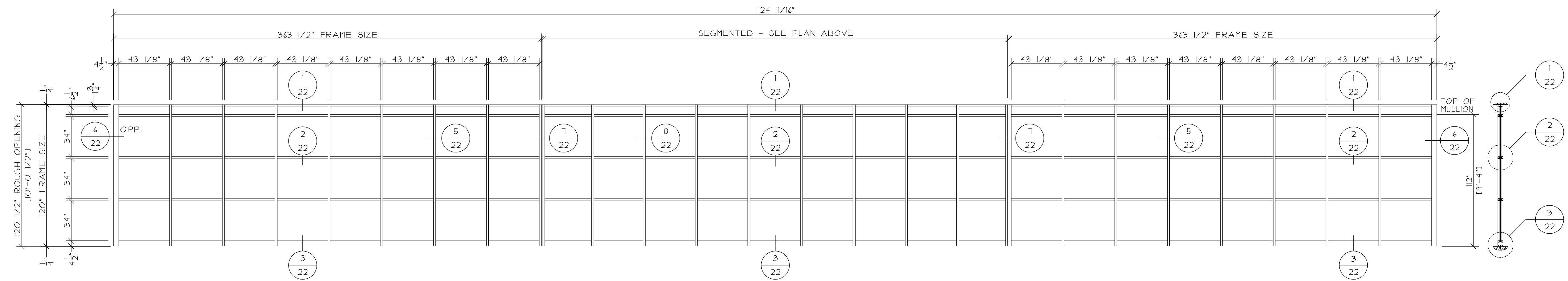
PROJECT:	SAMPLE SAMPLE SAMPLE
LOCATION:	SAMPLE SAMPLE SAMPLE

SCALE: 3/8" = 1'-0"
DATE: SAMPLE
PAGE: 10 of 22

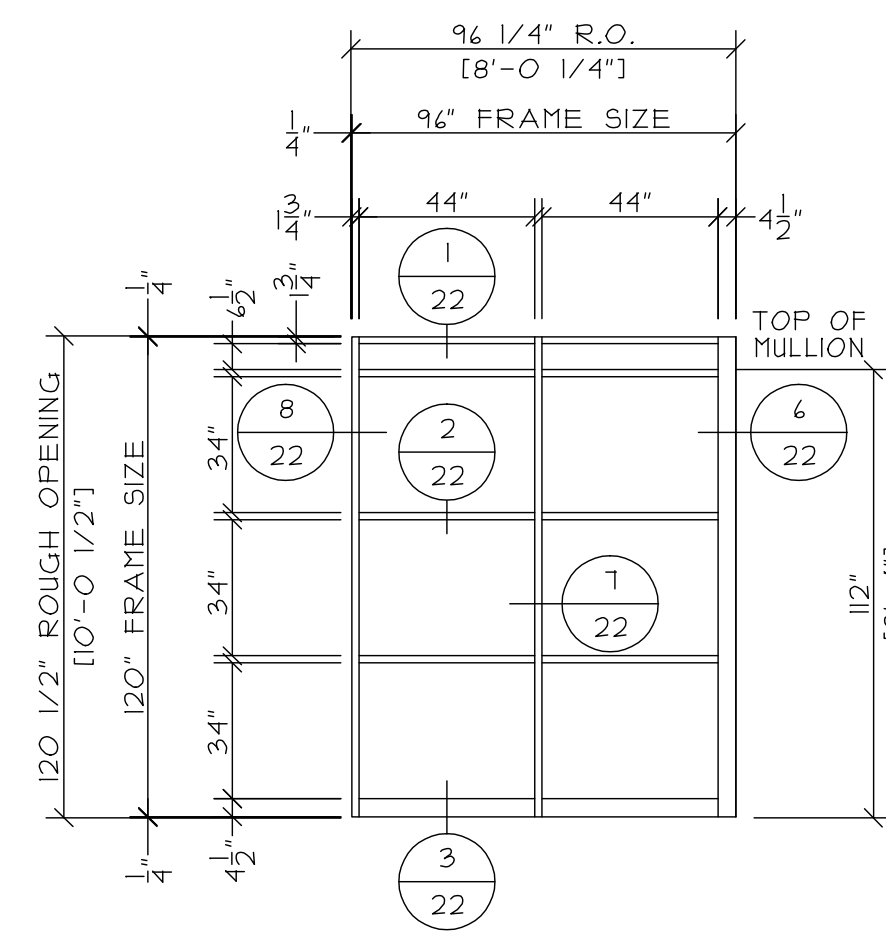


STOREFRONT LAYOUT

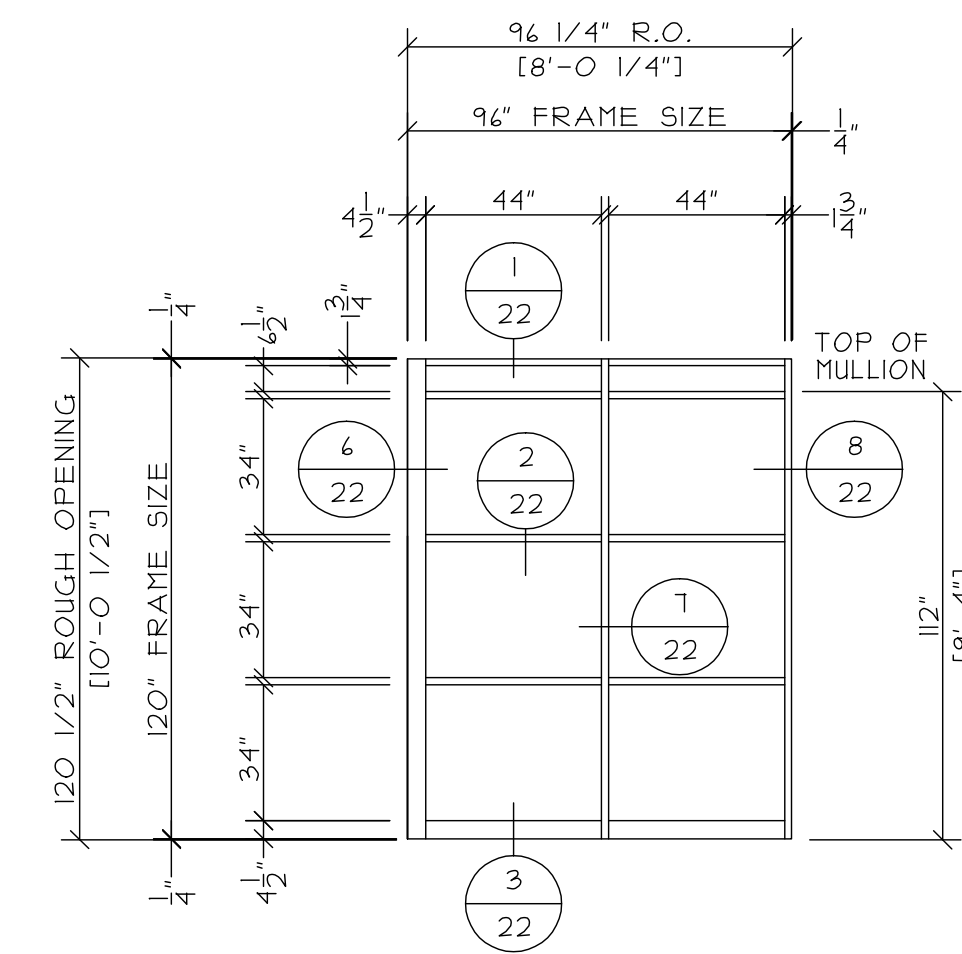
* MUST VERIFY RADIUS & OTHER DIMENSIONS IN FIELD *



STOREFRONT TYPE "UU.1"
 FG2000 SERIES FRAME
 TYPE 3 GLASS



STOREFRONT TYPE "UU.2"
 1 TOTAL
 TYPE 3 GLASS



STOREFRONT TYPE "UU.3"
 1 TOTAL
 TYPE 3 GLASS

DATE

REVISIONS

GLAZING CONTRACTOR:
 SAMPLE SAMPLE SAMPLE
 SAMPLE SAMPLE SAMPLE
 SAMPLE SAMPLE SAMPLE
 SAMPLE SAMPLE SAMPLE
 SAMPLE SAMPLE SAMPLE

ARCHITECT:
 SAMPLE SAMPLE SAMPLE
 SAMPLE SAMPLE SAMPLE
 SAMPLE SAMPLE SAMPLE
 SAMPLE SAMPLE SAMPLE
 SAMPLE SAMPLE SAMPLE

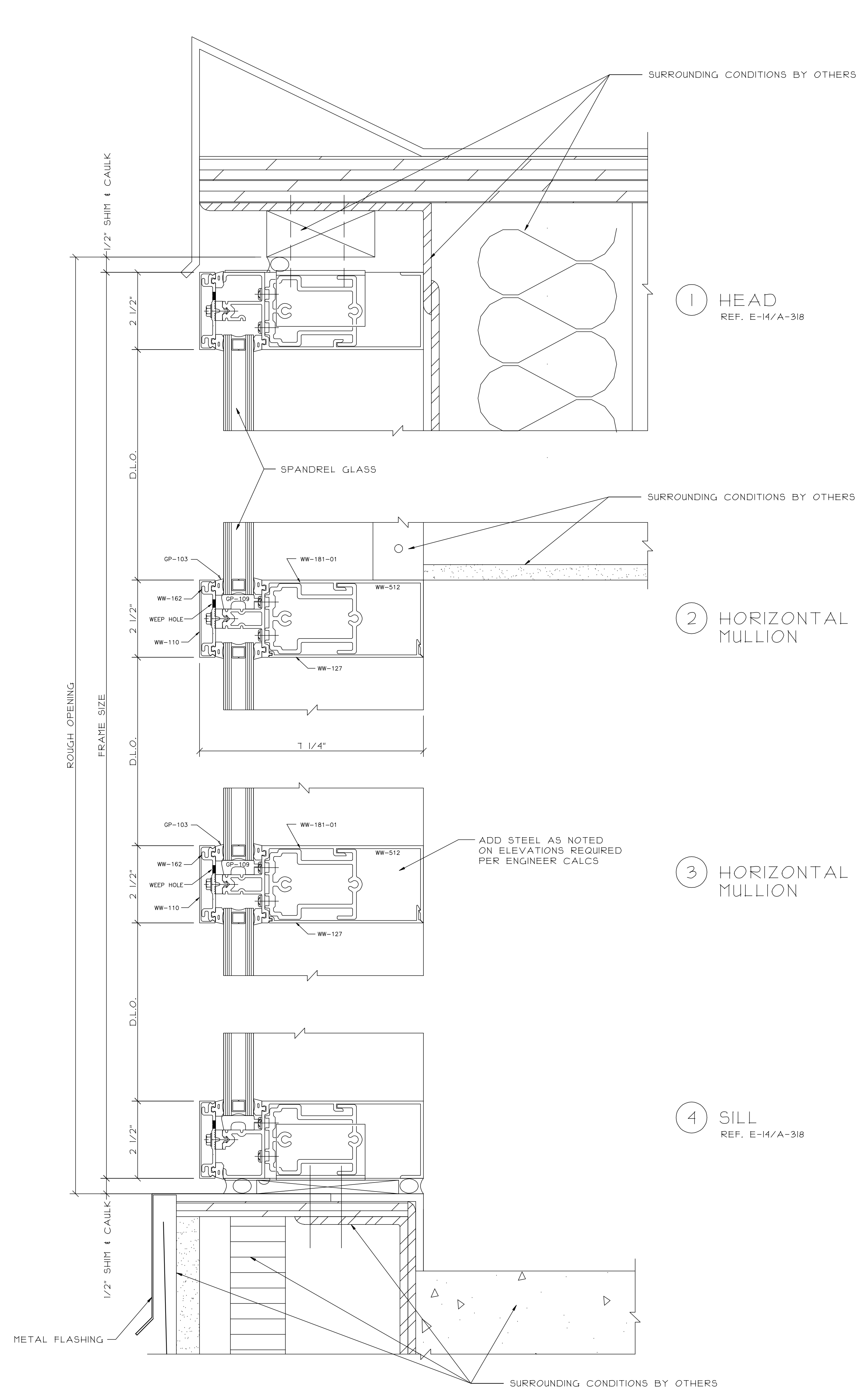
PROJECT: SAMPLE SAMPLE SAMPLE

LOCATION: SAMPLE SAMPLE SAMPLE

SCALE:
 1/4" = 1'-0"

DATE:
 SAMPLE

PAGE:
 11 of 22

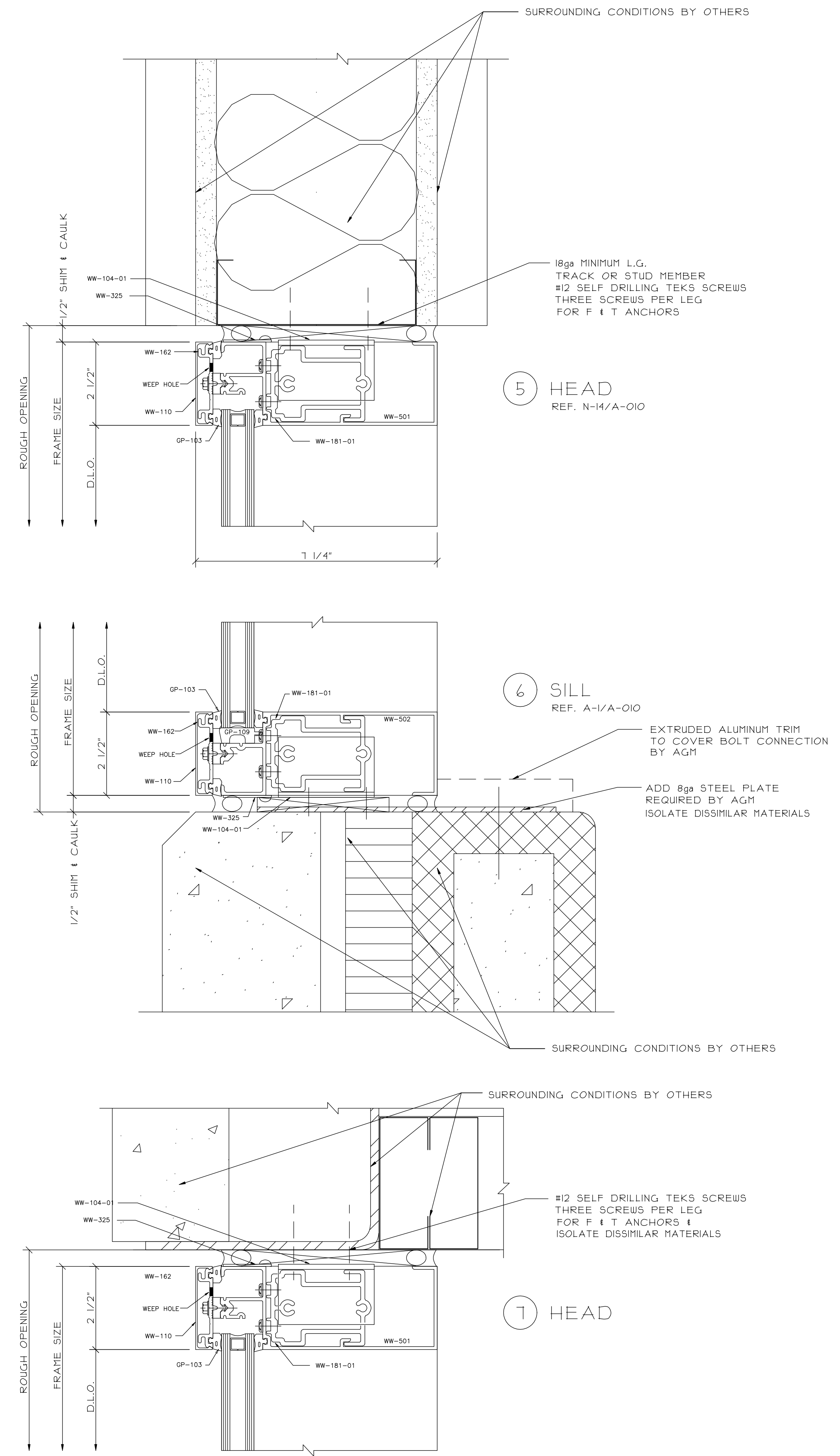


1 HEAD
REF. E-14/A-318

2 HORIZONTAL MULLION

3 HORIZONTAL MULLION

4 SILL
REF. E-14/A-318



5 HEAD
REF. N-14/A-010

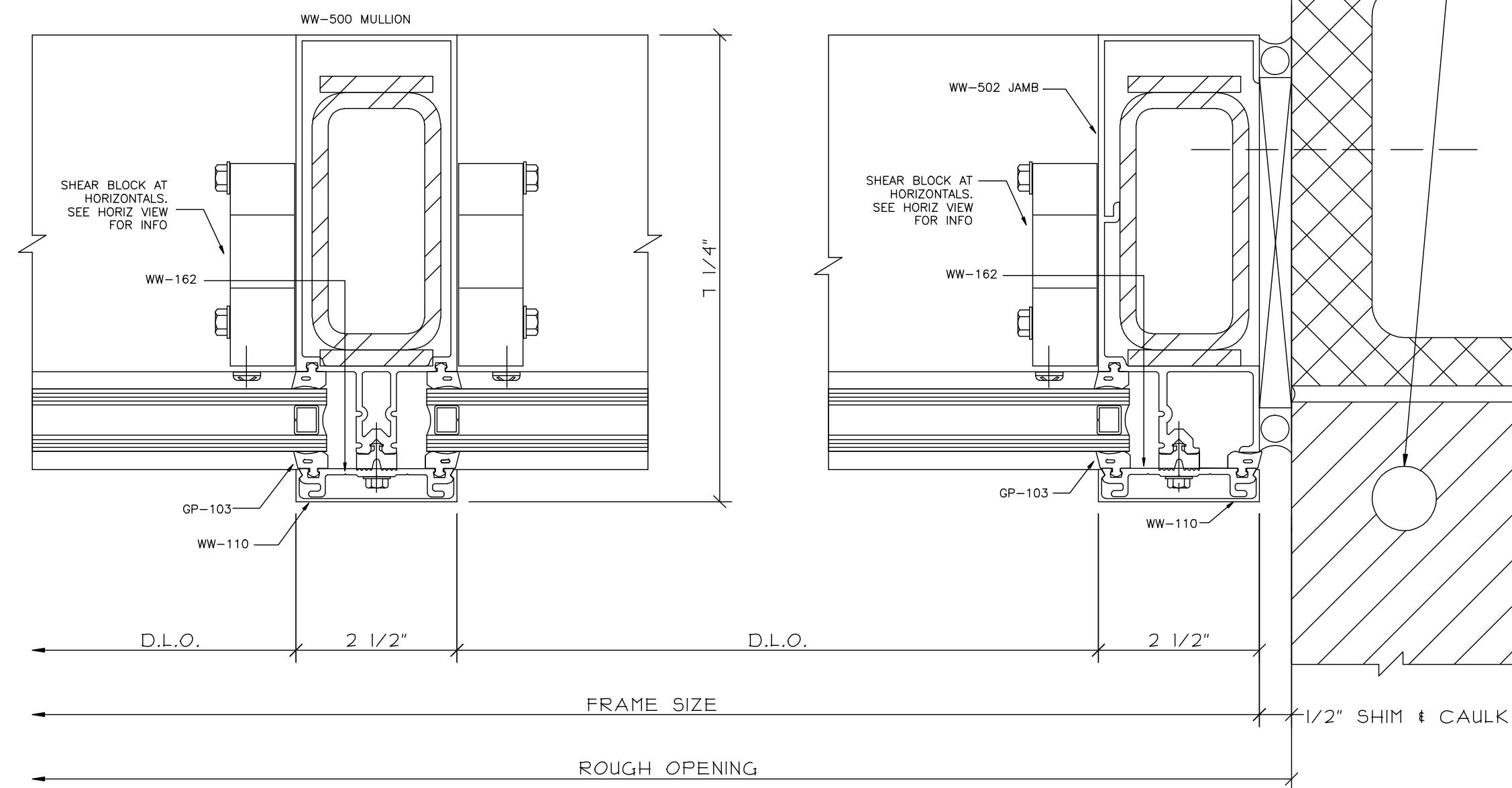
6 SILL
REF. A-1/A-010

7 HEAD

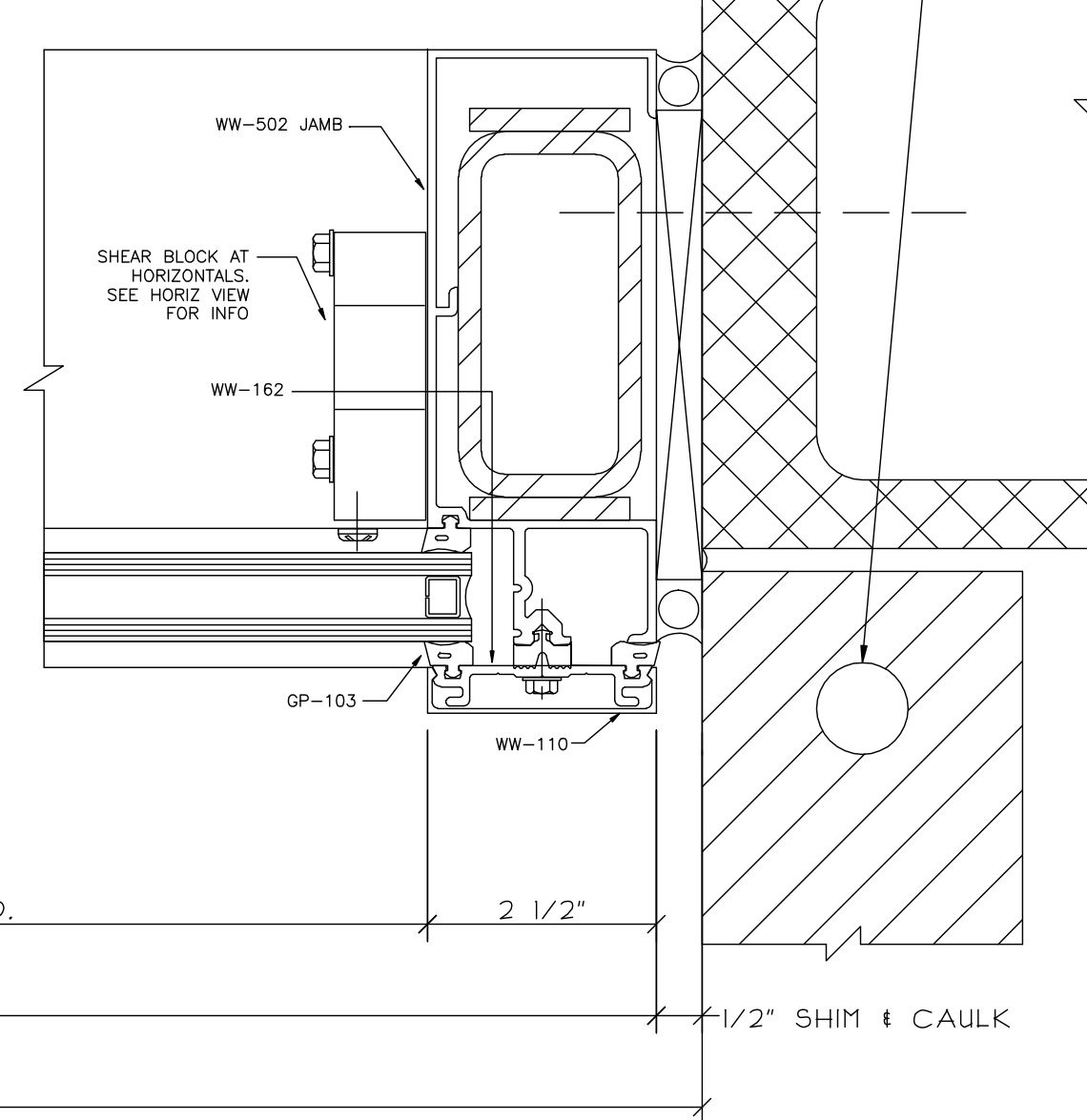
DATE	
REVISIONS	
GLAZING CONTRACTOR:	SAMPLE SAMPLE SAMPLE
ARCHITECT:	SAMPLE SAMPLE SAMPLE
PROJECT:	SAMPLE SAMPLE SAMPLE
LOCATION:	SAMPLE SAMPLE SAMPLE
SCALE:	6" = 1'-0"
DATE:	SAMPLE
PAGE:	12 of 22

NOTE:
STEEL AS SHOWN ONLY APPLICABLE AS
INDICATED ON INDIVIDUAL ELEVATIONS

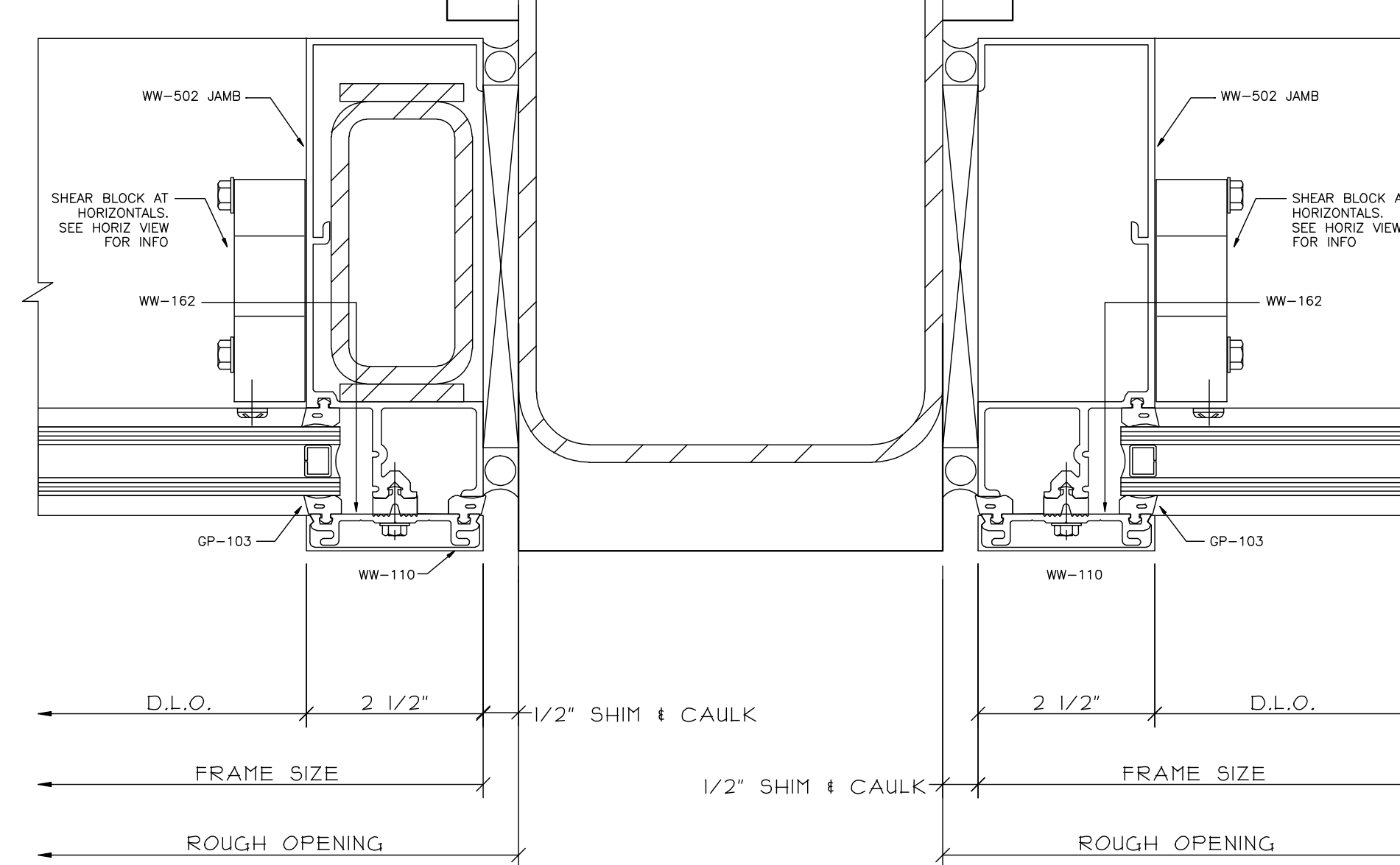
① VERTICAL MULLION



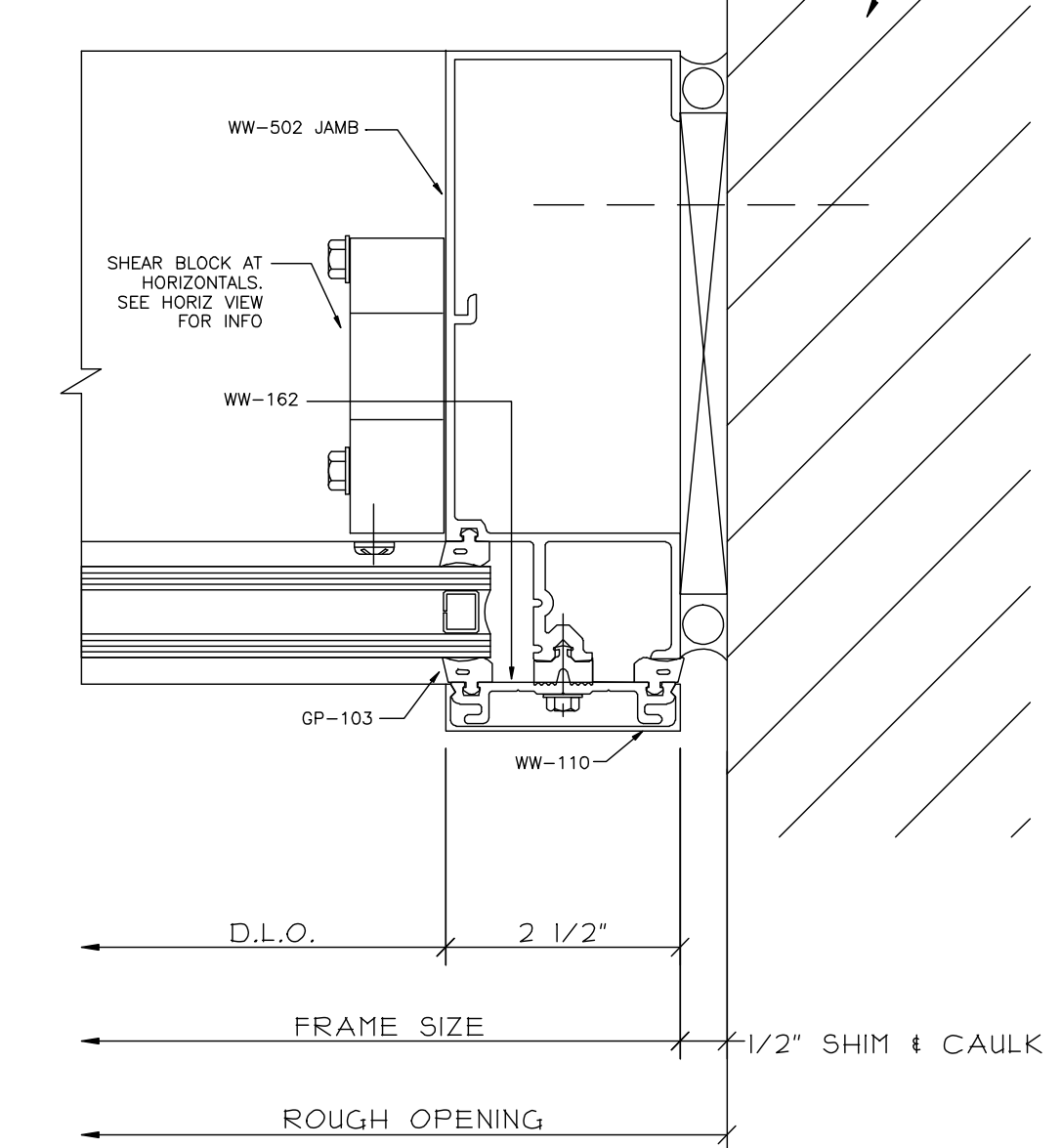
② JAMB
REF. A-303



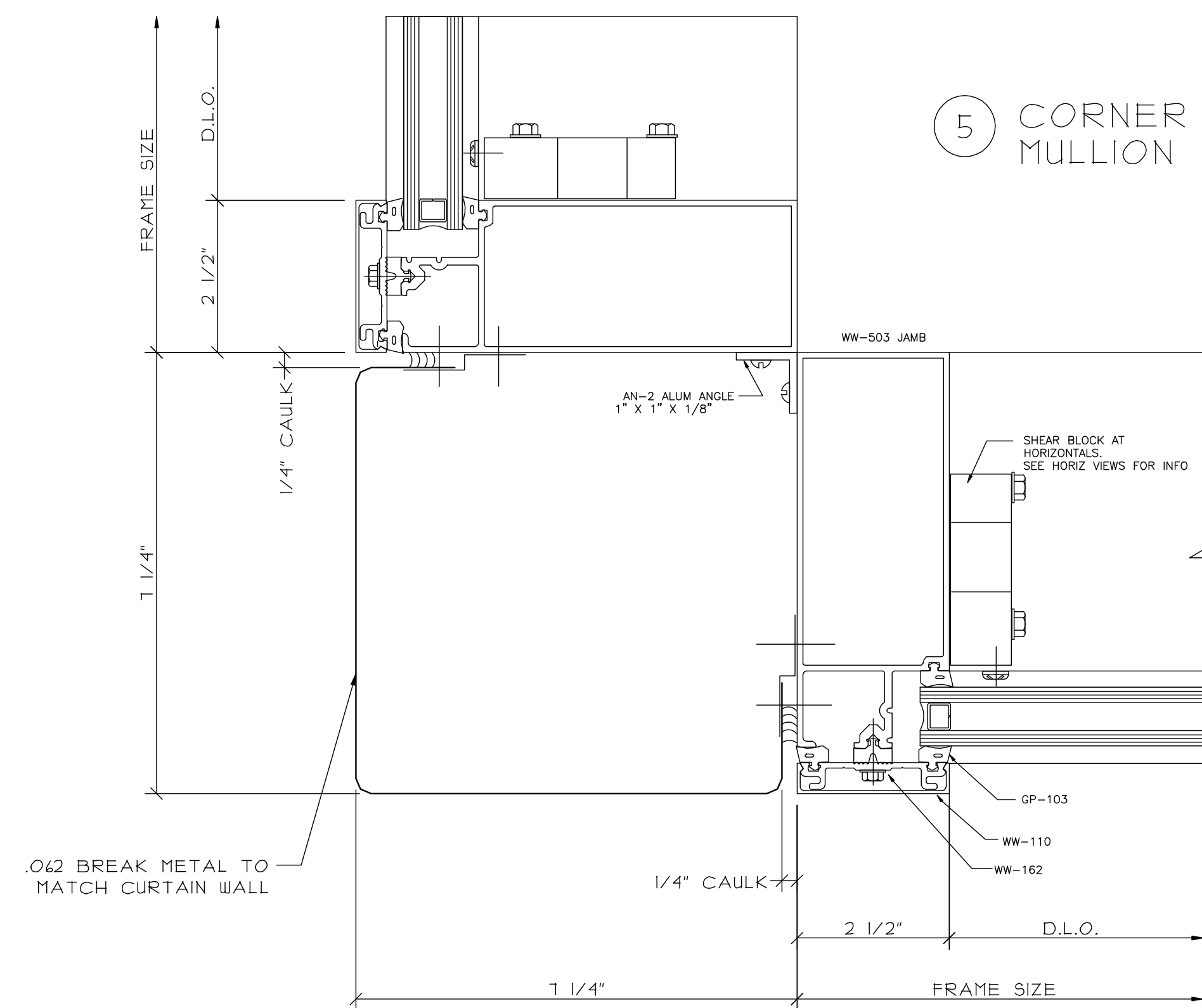
③ DOUBLE JAMB
REF. A-1/A-306



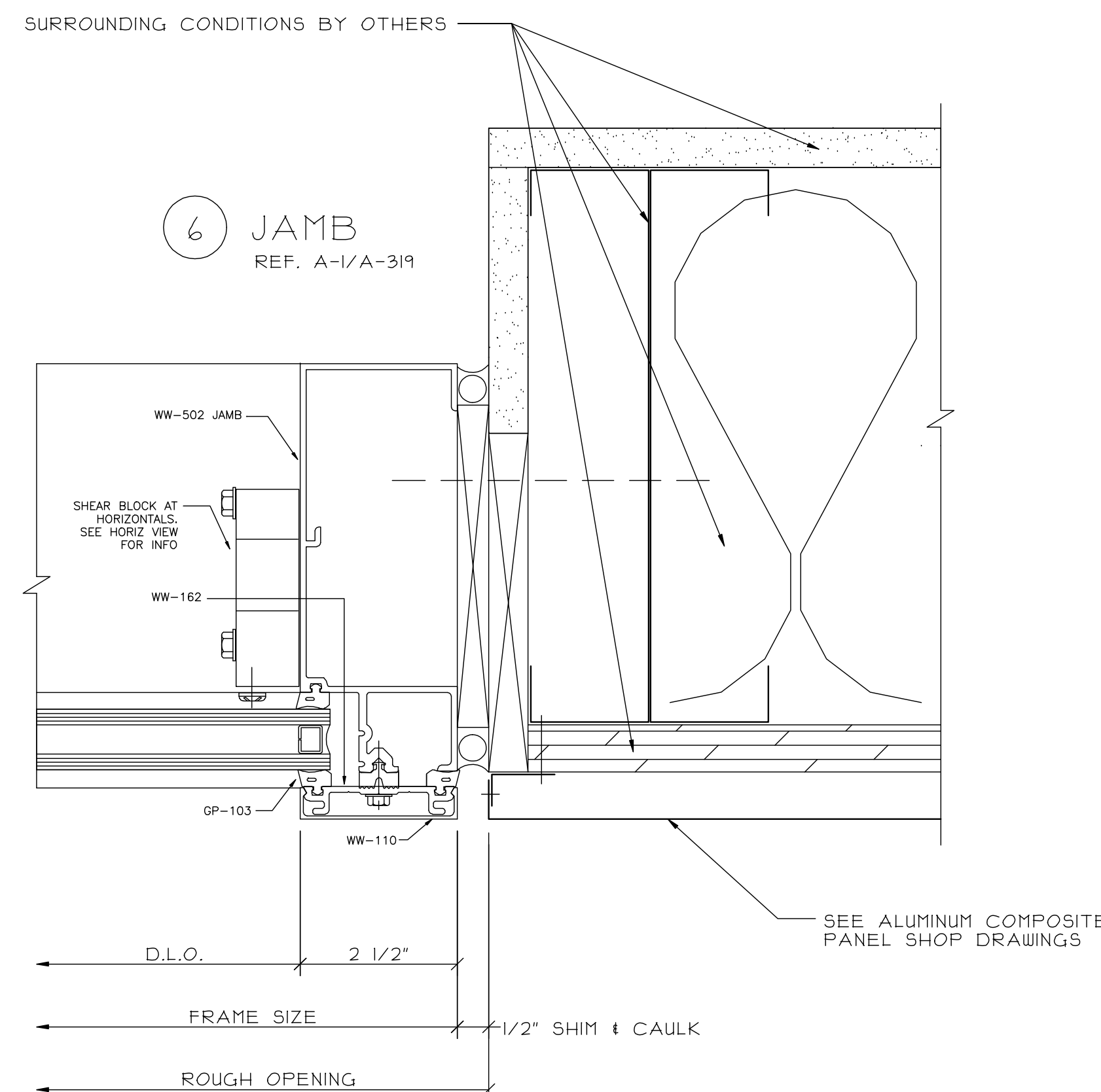
④ JAMB



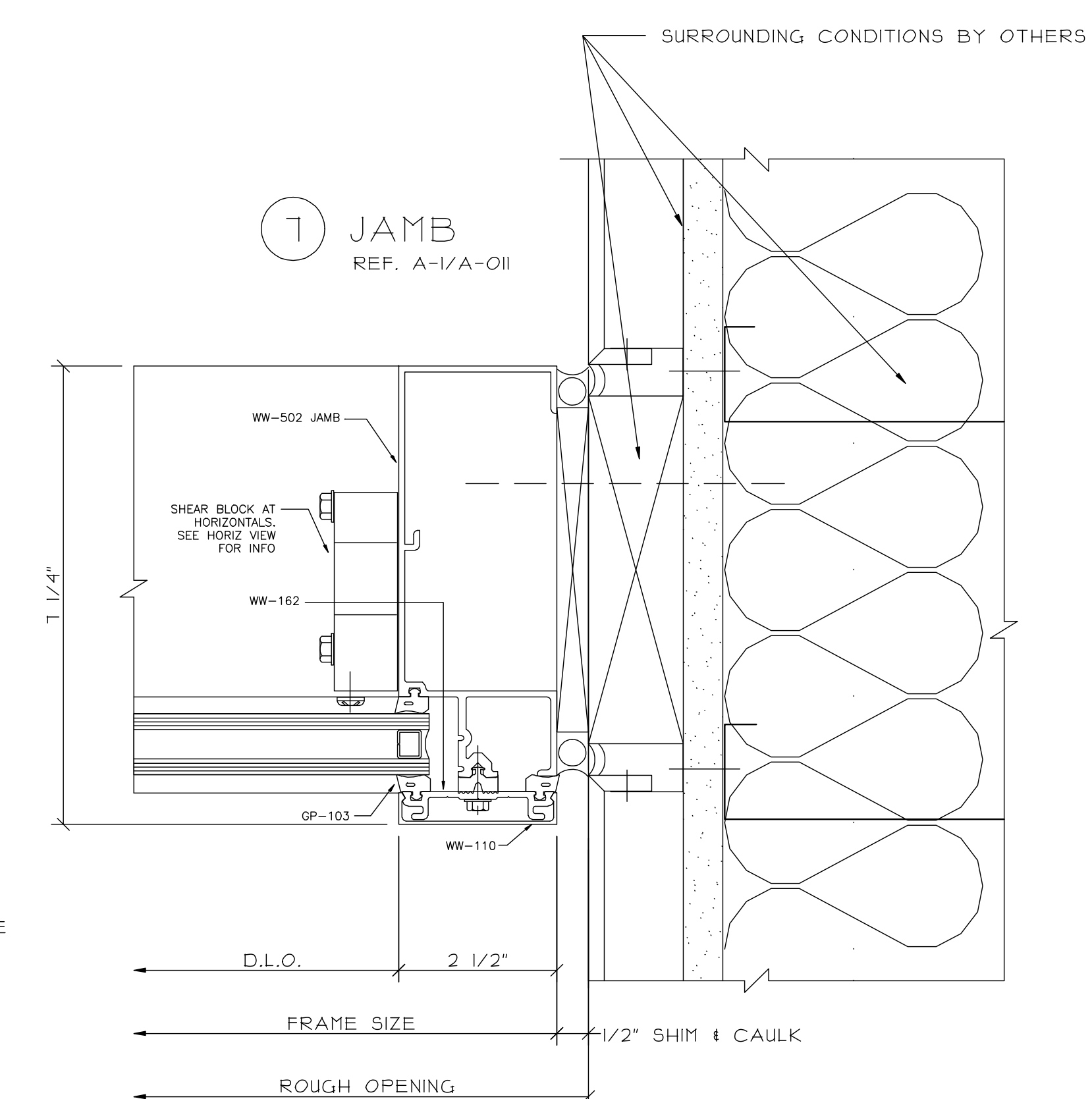
⑤ CORNER MULLION



⑥ JAMB
REF. A-1/A-319



⑦ JAMB
REF. A-1/A-011



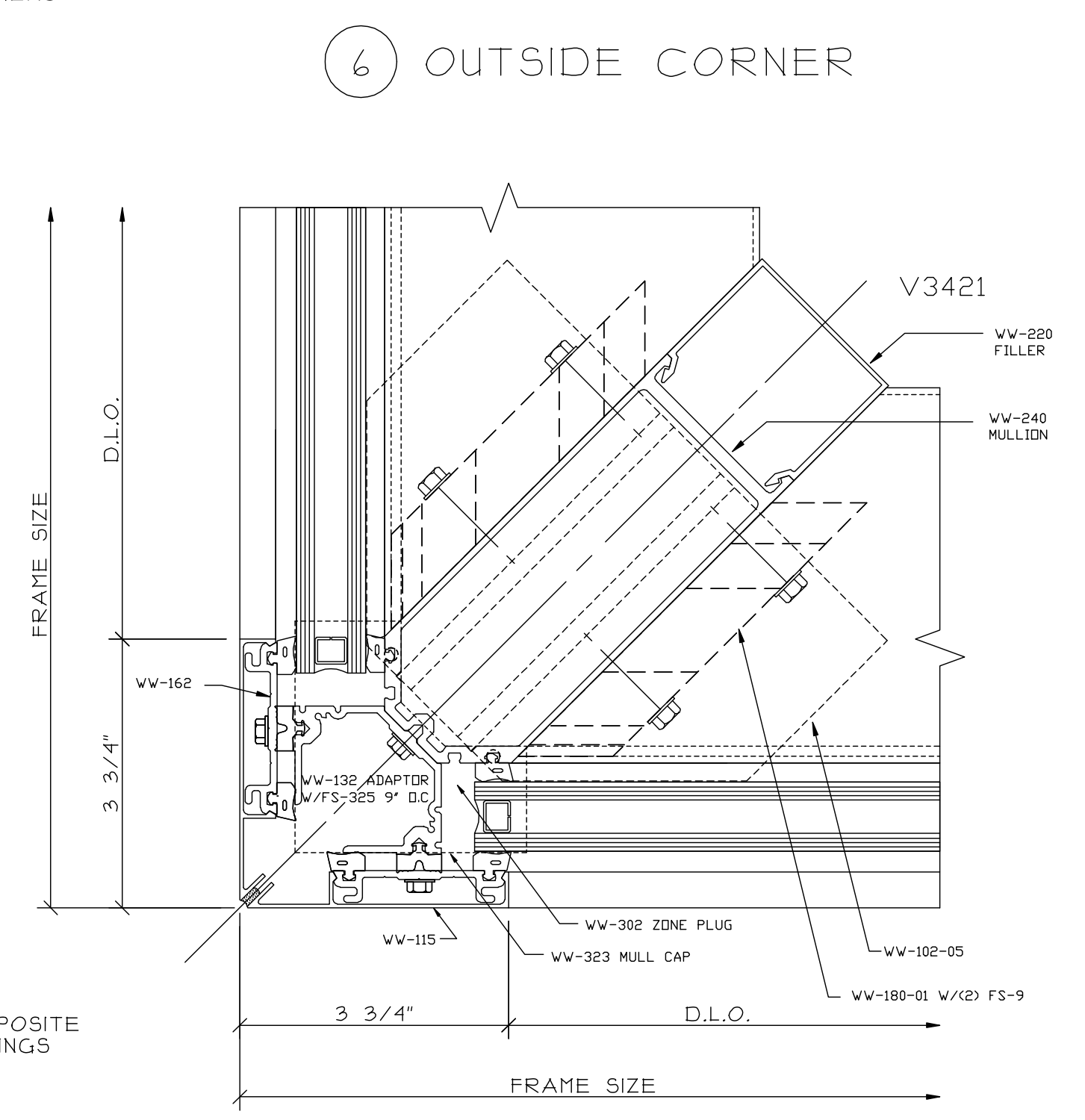
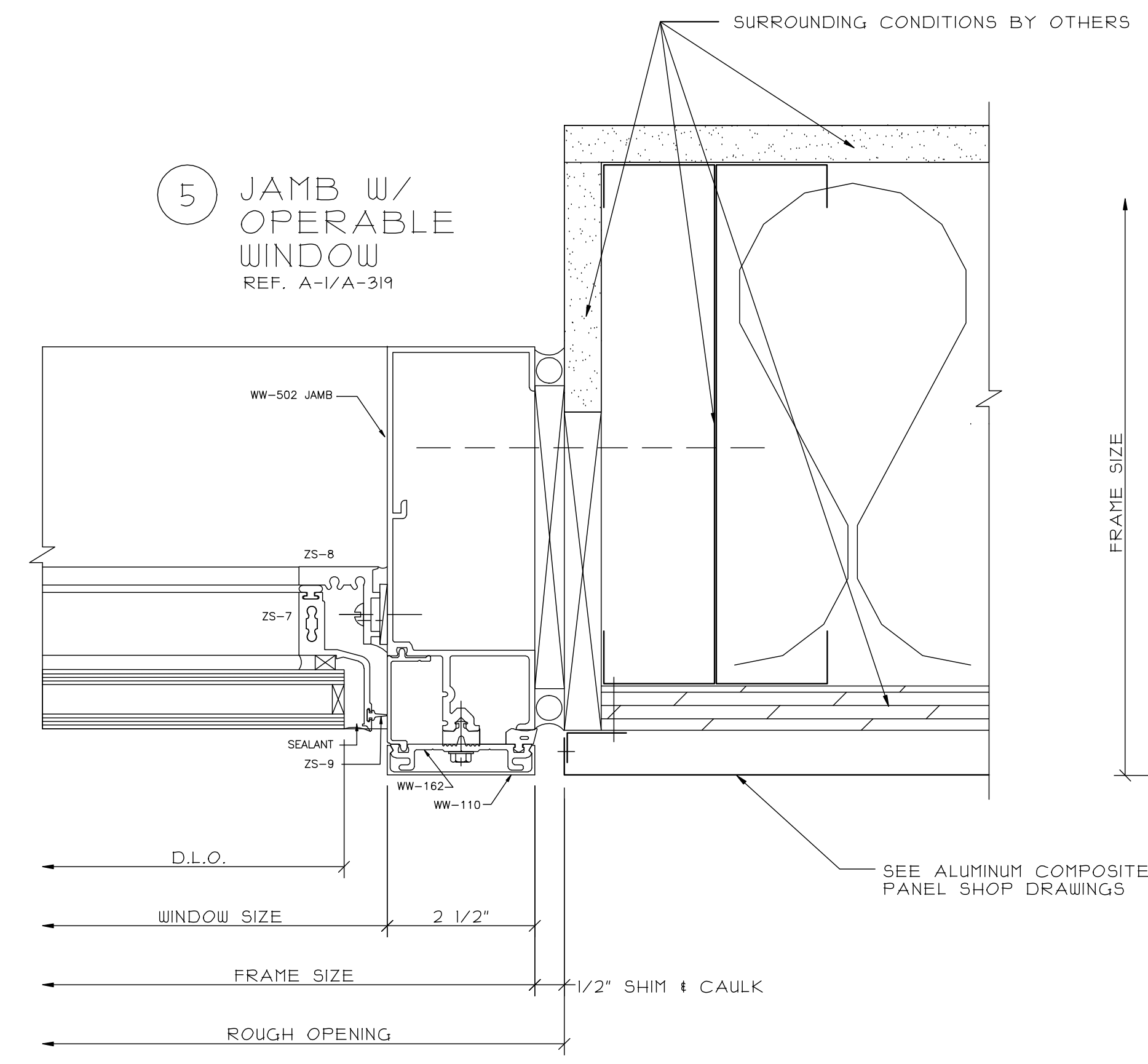
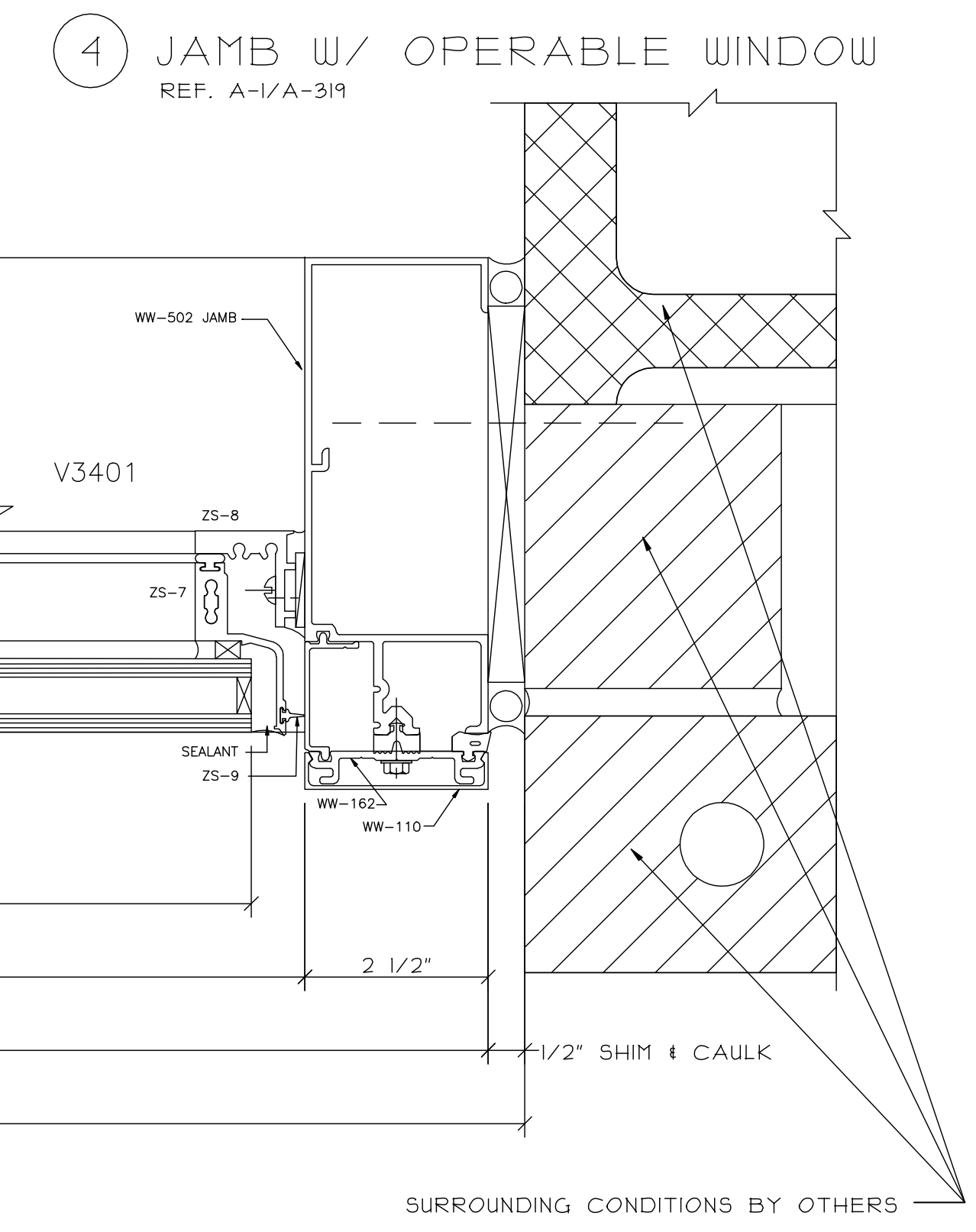
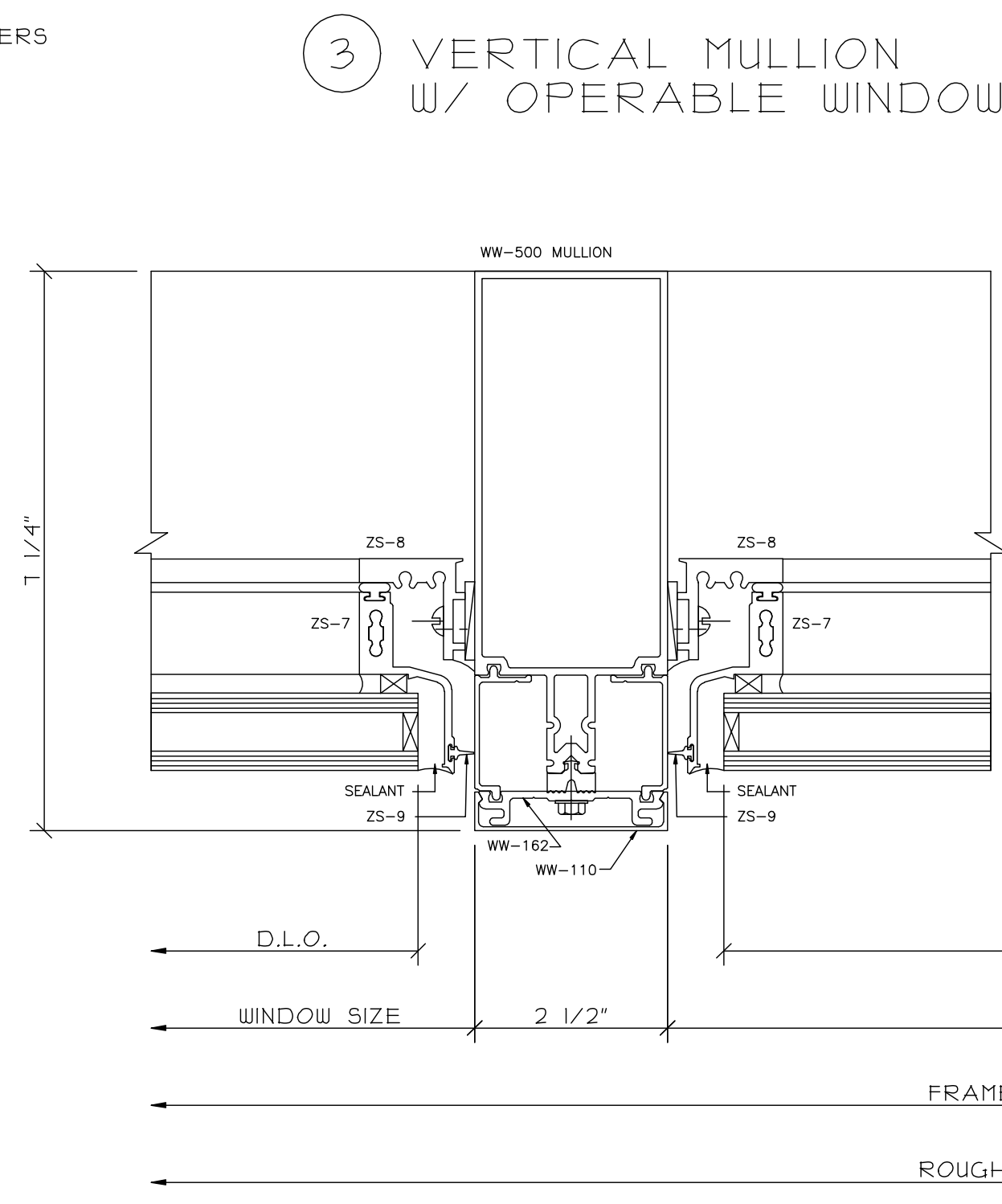
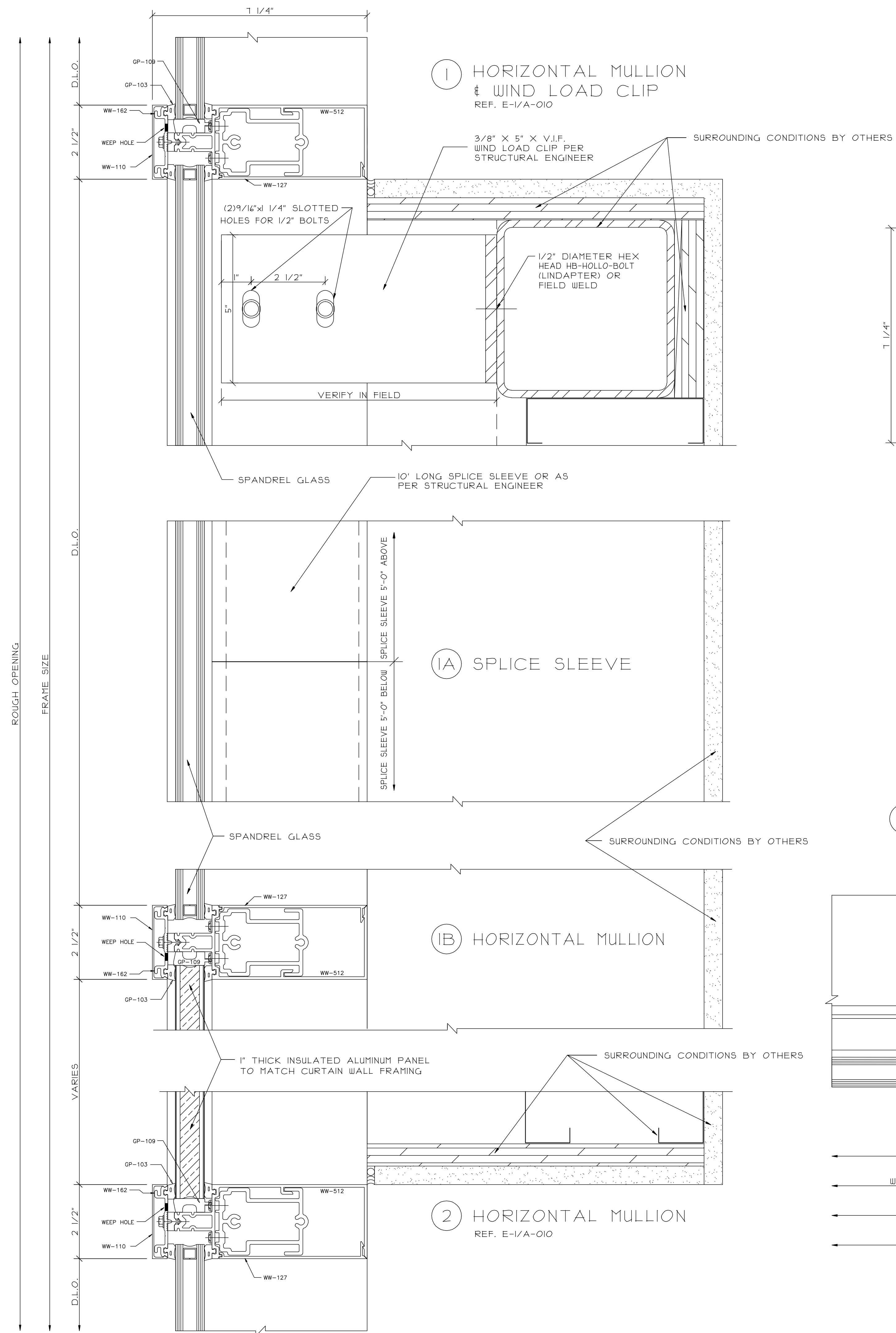
REVISIONS	DATE

GLAZING CONTRACTOR:
SAMPLE
SAMPLE
SAMPLE
SAMPLE
SAMPLE
SAMPLE

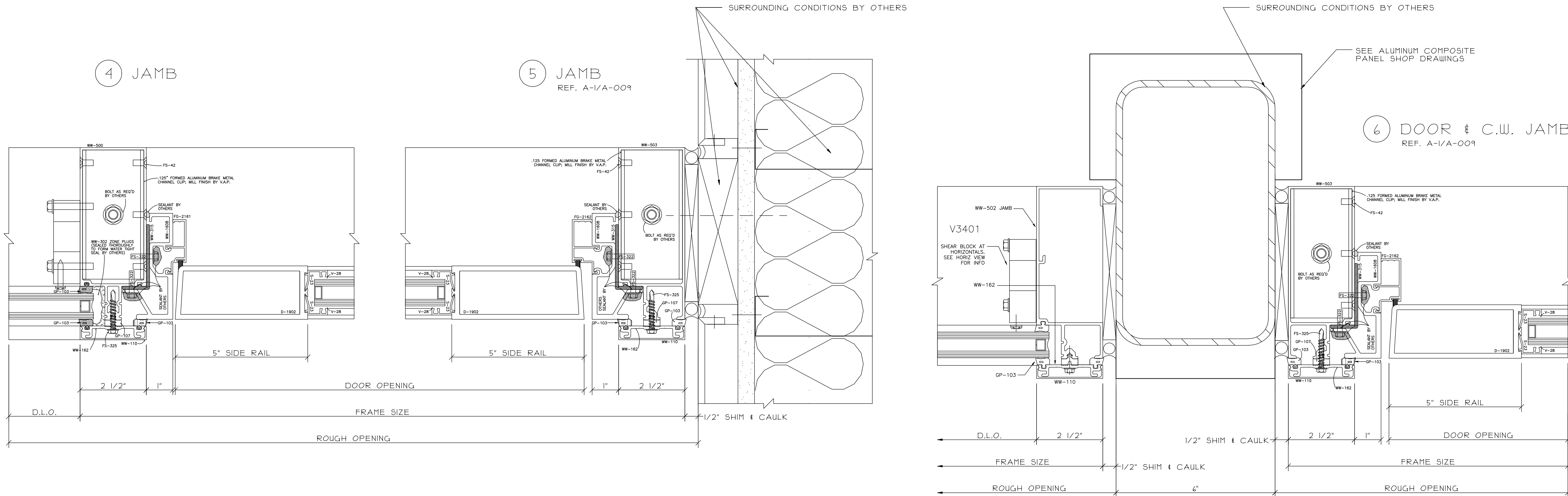
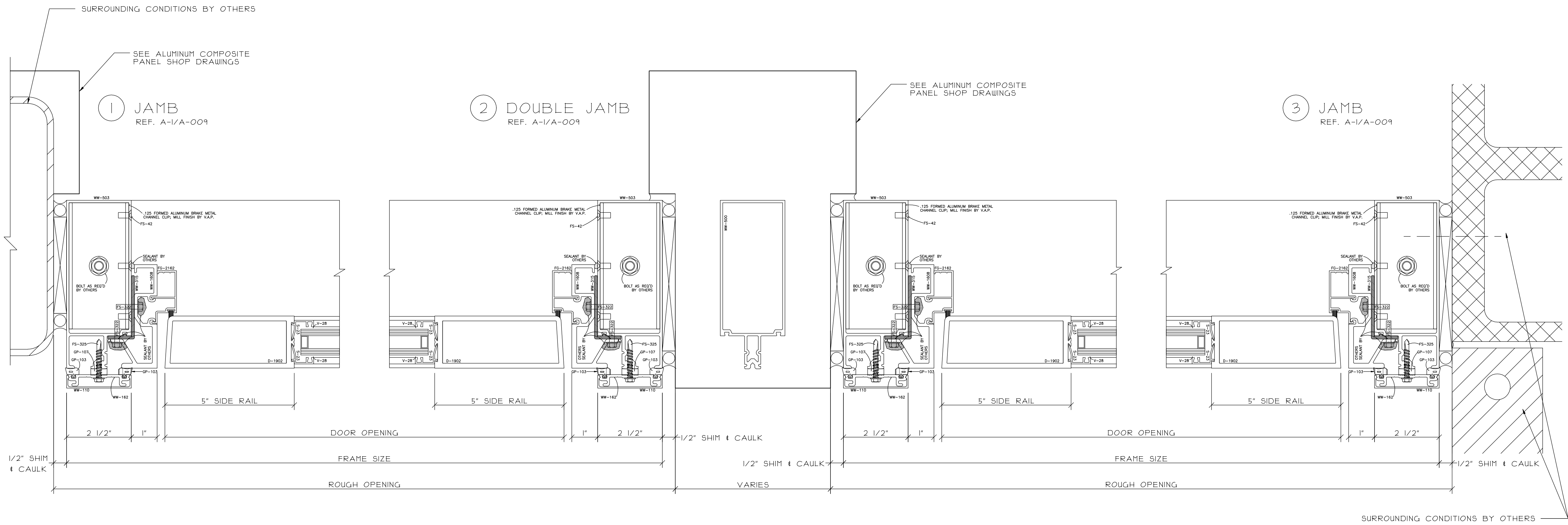
ARCHITECT:
SAMPLE
SAMPLE
SAMPLE
SAMPLE
SAMPLE
SAMPLE

PROJECT:	LOCATION:
SAMPLE	SAMPLE
SAMPLE	SAMPLE
SAMPLE	SAMPLE
SAMPLE	SAMPLE
SAMPLE	SAMPLE

SCALE: 6" = 1'-0"
DATE: SAMPLE
PAGE: 14 of 22



DATE	
REVISIONS	
GLAZING CONTRACTOR:	SAMPLE SAMPLE SAMPLE
ARCHITECT:	SAMPLE SAMPLE SAMPLE
PROJECT:	SAMPLE SAMPLE SAMPLE
LOCATION:	SAMPLE SAMPLE SAMPLE
SCALE:	6" = 1'-0"
DATE:	SAMPLE
PAGE:	15 of 22



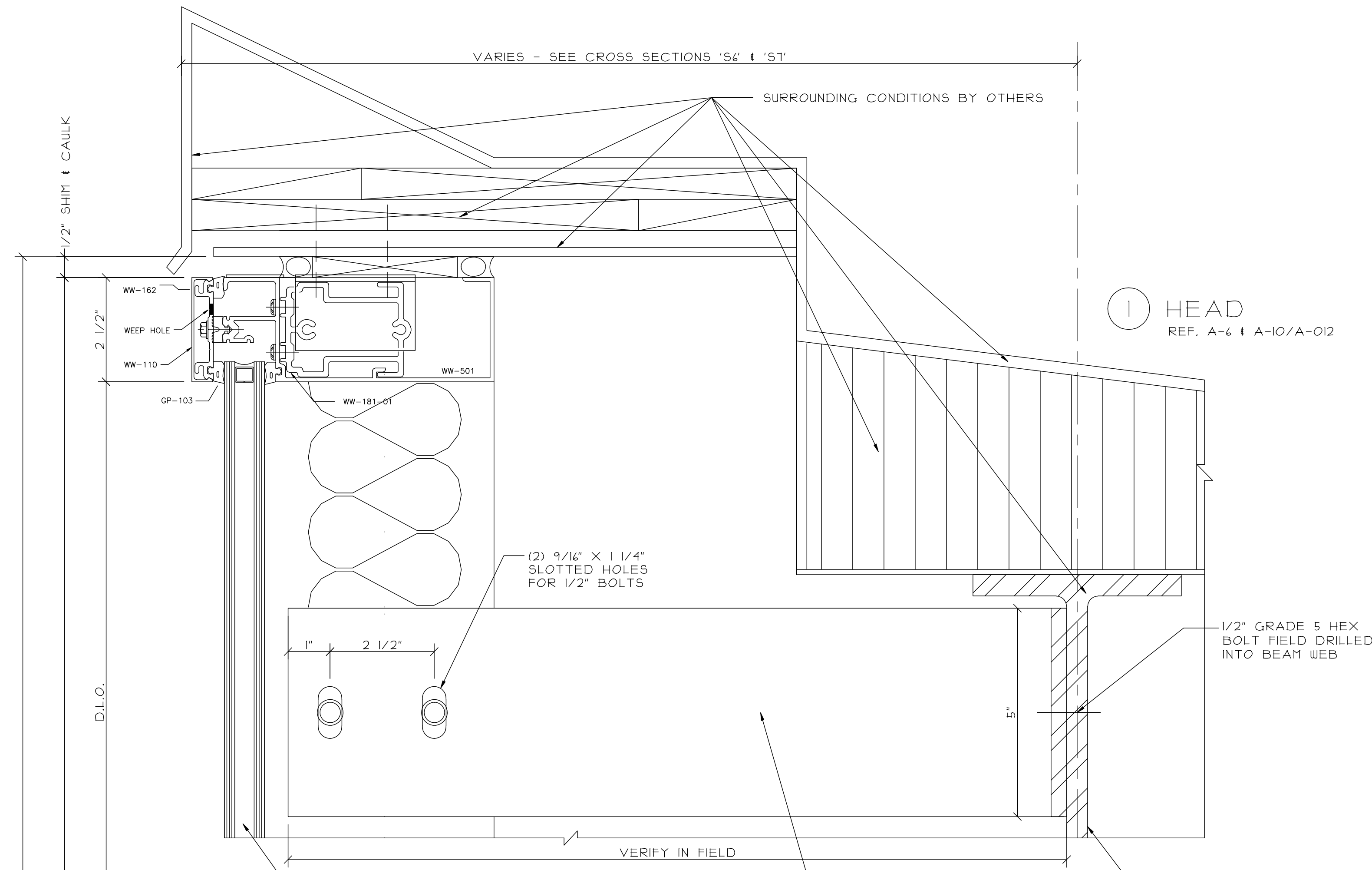
REVISIONS	DATE

GLAZING CONTRACTOR:
 SAMPLE SAMPLE SAMPLE
 SAMPLE SAMPLE SAMPLE
 SAMPLE SAMPLE SAMPLE
 SAMPLE SAMPLE SAMPLE

ARCHITECT:
 SAMPLE SAMPLE SAMPLE
 SAMPLE SAMPLE SAMPLE
 SAMPLE SAMPLE SAMPLE
 SAMPLE SAMPLE SAMPLE

PROJECT: SAMPLE SAMPLE SAMPLE
 LOCATION: SAMPLE SAMPLE SAMPLE

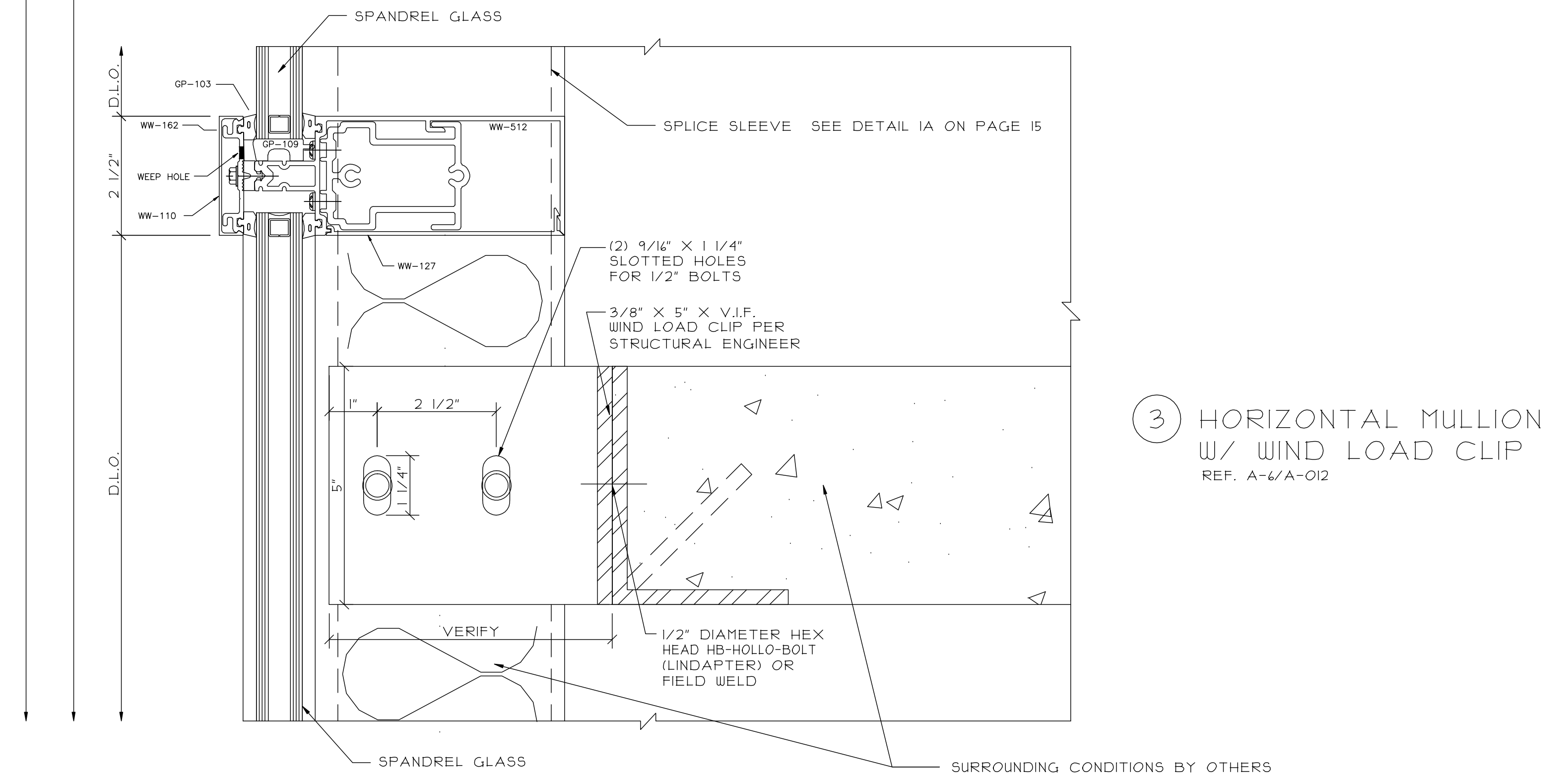
SCALE:
 6" = 1'-0"
 DATE:
 SAMPLE
 PAGE:
 17 of 22



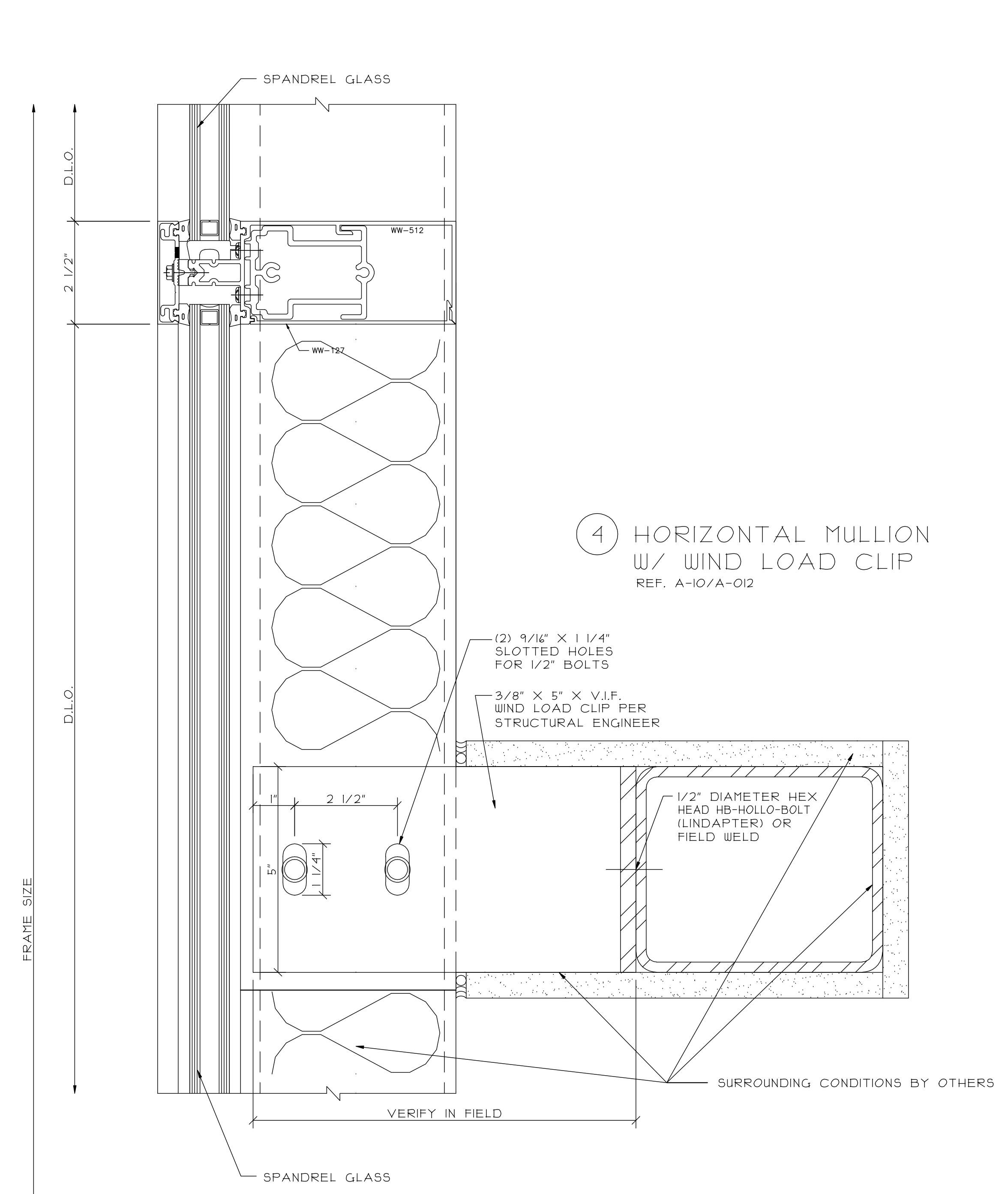
1 HEAD
REF. A-6 & A-10/A-012



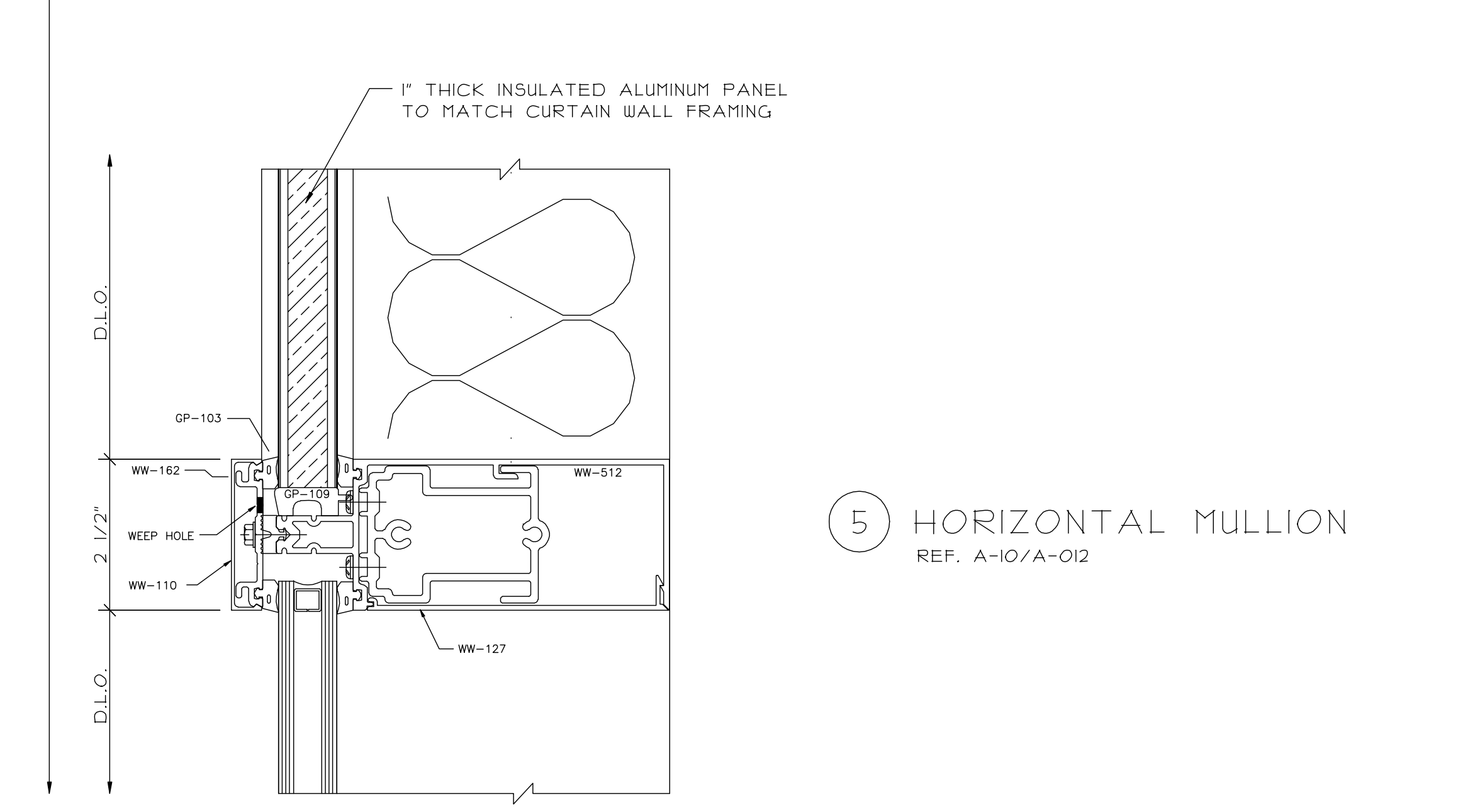
2 HORIZONTAL MULLION
REF. A-6/A-012



3 HORIZONTAL MULLION
W/ WIND LOAD CLIP
REF. A-6/A-012

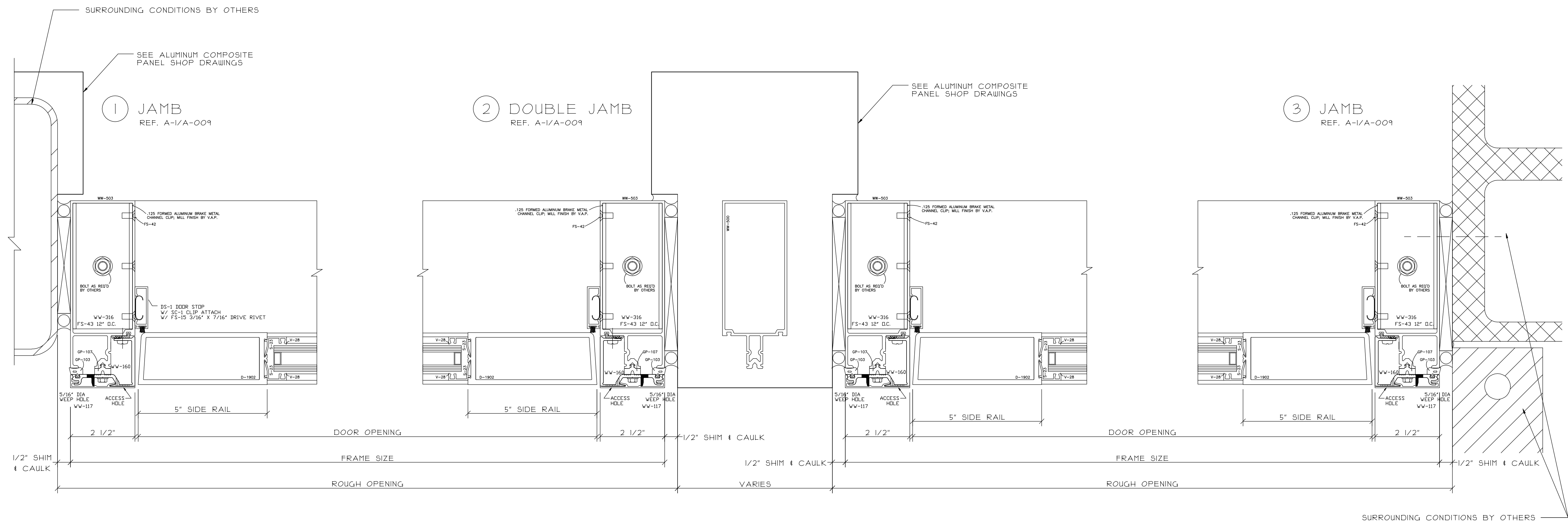


4 HORIZONTAL MULLION
W/ WIND LOAD CLIP
REF. A-10/A-012

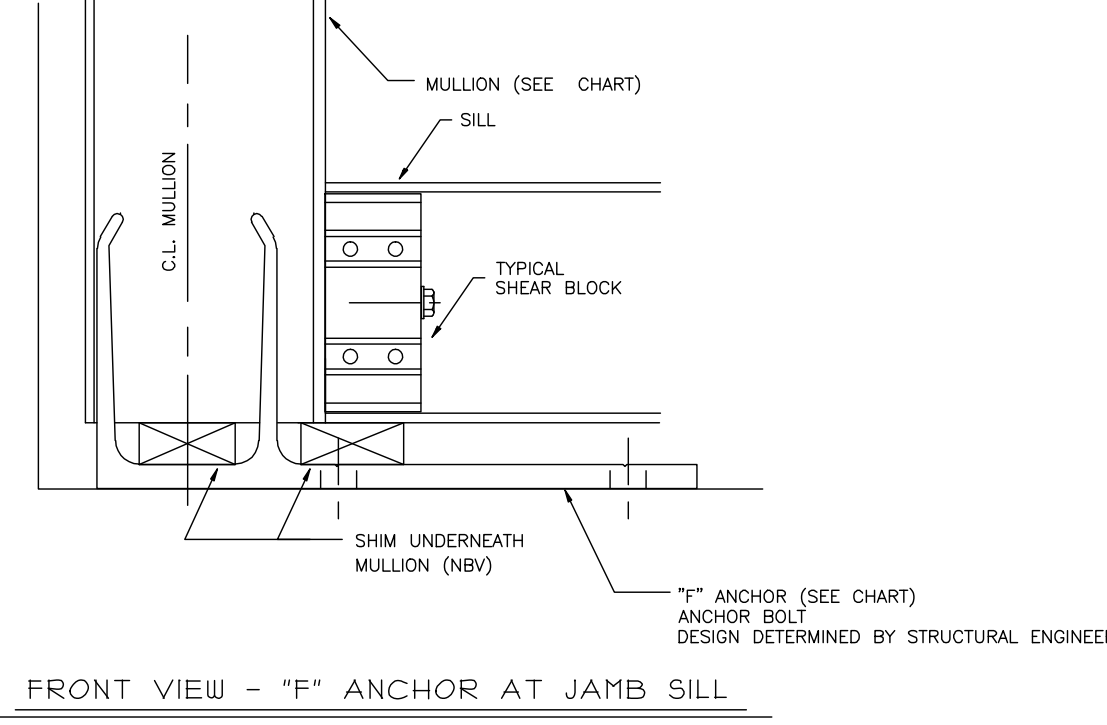
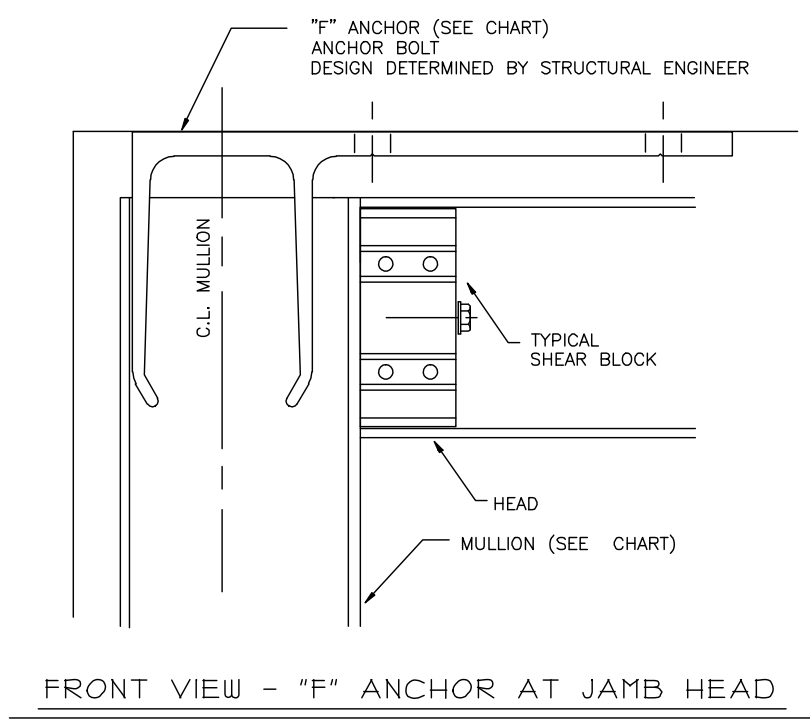
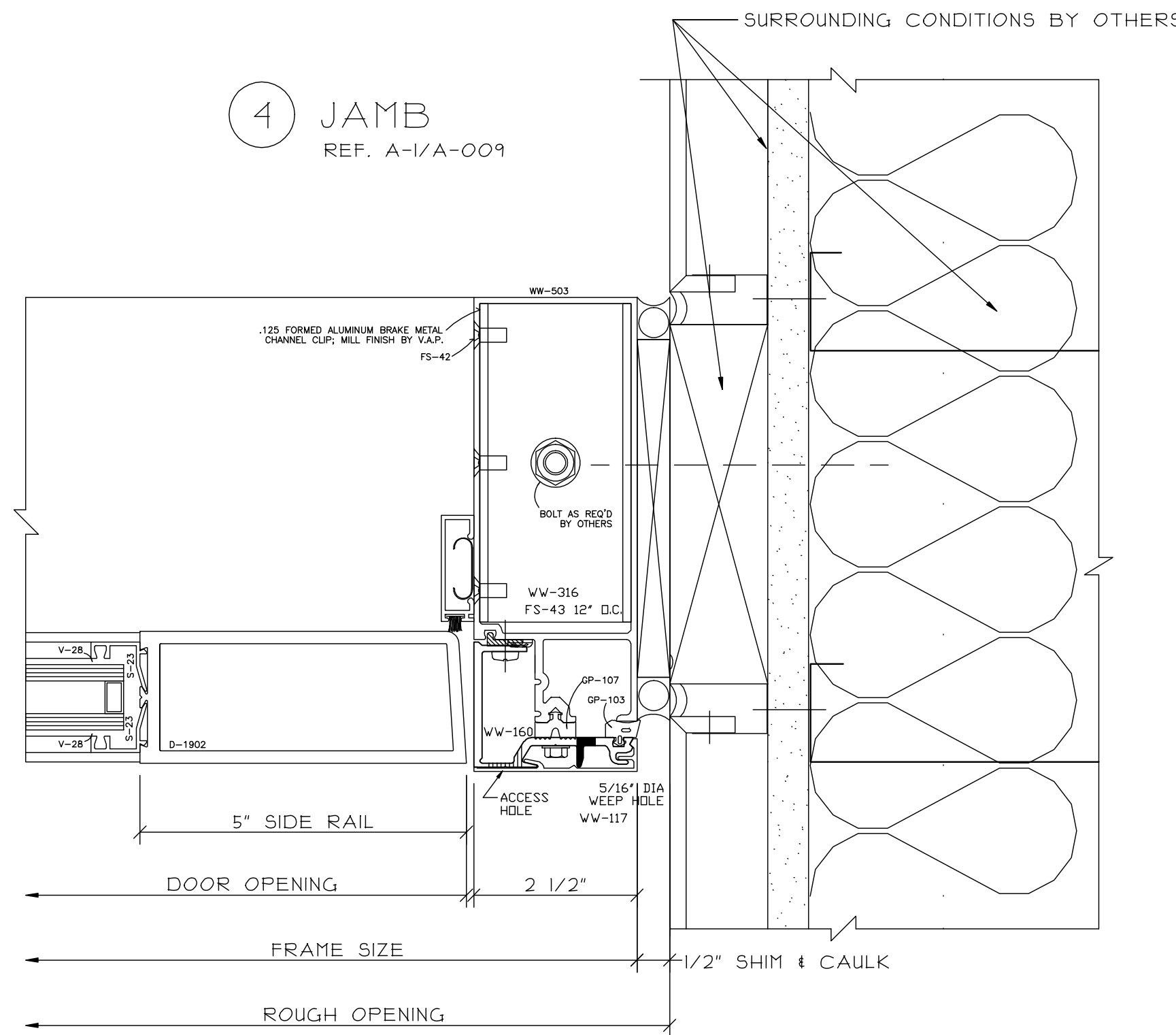


5 HORIZONTAL MULLION
REF. A-10/A-012

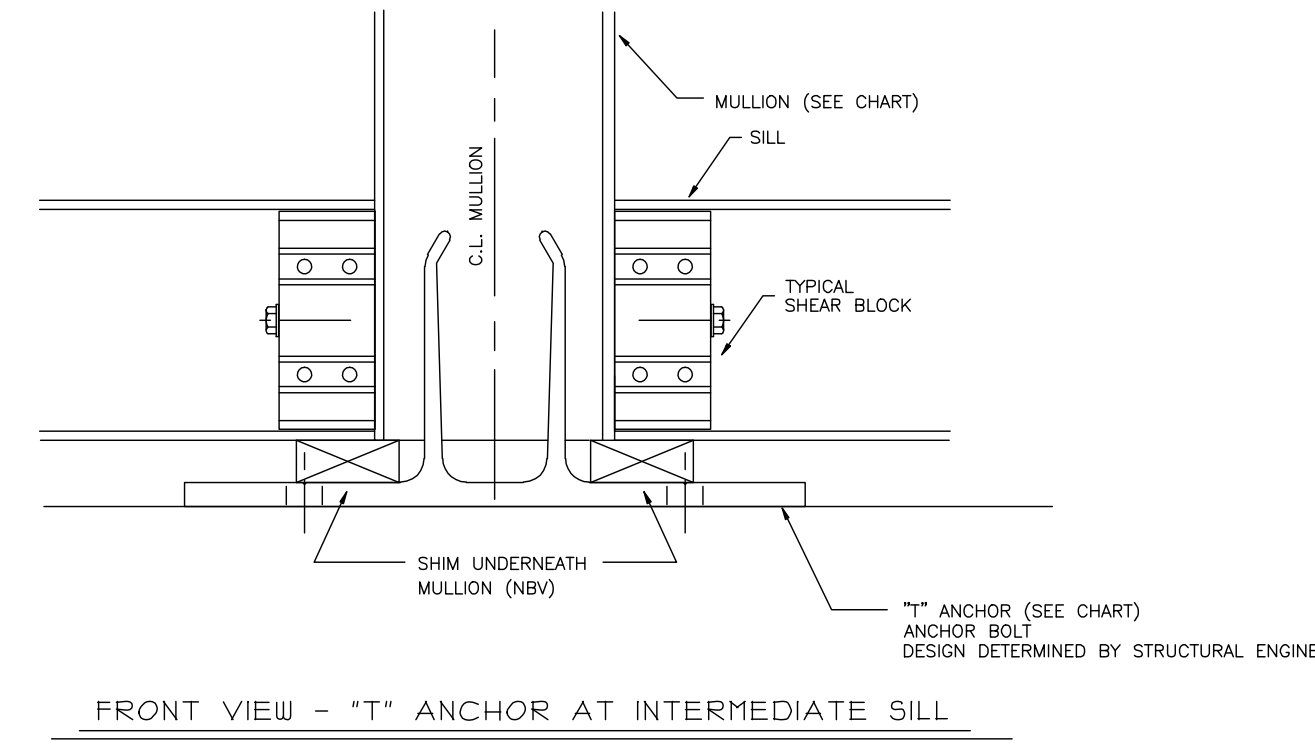
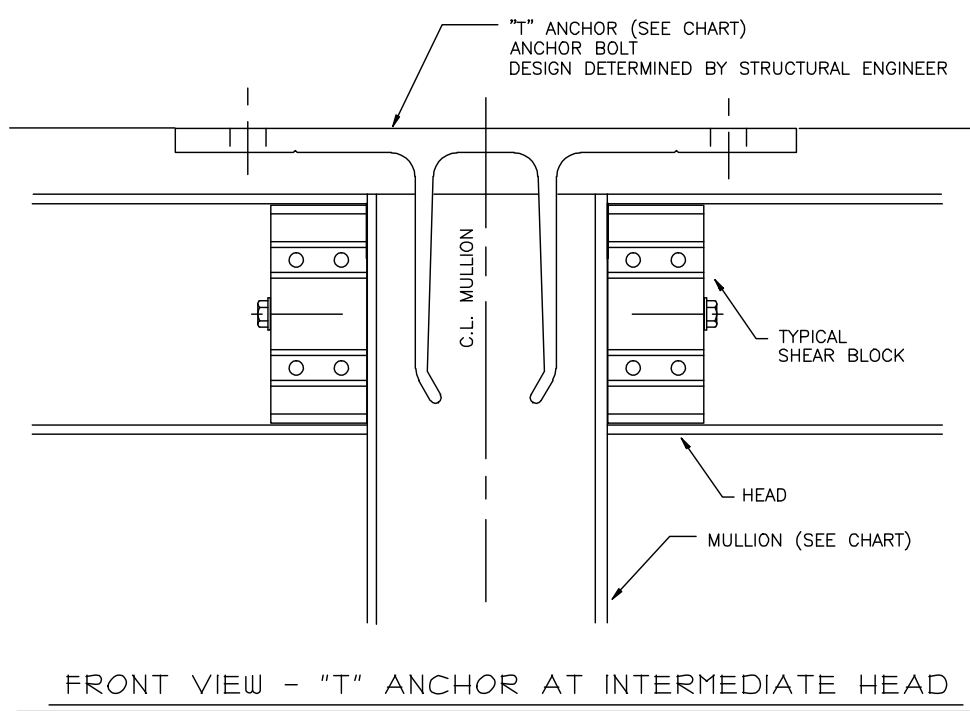
PROJECT:	SAMPLE SAMPLE SAMPLE
LOCATION:	SAMPLE SAMPLE SAMPLE
SCALE:	6" = 1'-0"
DATE:	SAMPLE
PAGE:	18 of 22
GLAZING CONTRACTOR:	SAMPLE SAMPLE SAMPLE SAMPLE SAMPLE SAMPLE SAMPLE SAMPLE SAMPLE SAMPLE SAMPLE SAMPLE SAMPLE SAMPLE SAMPLE
ARCHITECT:	SAMPLE SAMPLE SAMPLE SAMPLE SAMPLE SAMPLE SAMPLE SAMPLE SAMPLE SAMPLE SAMPLE SAMPLE SAMPLE SAMPLE SAMPLE
REVISIONS:	
DATE:	



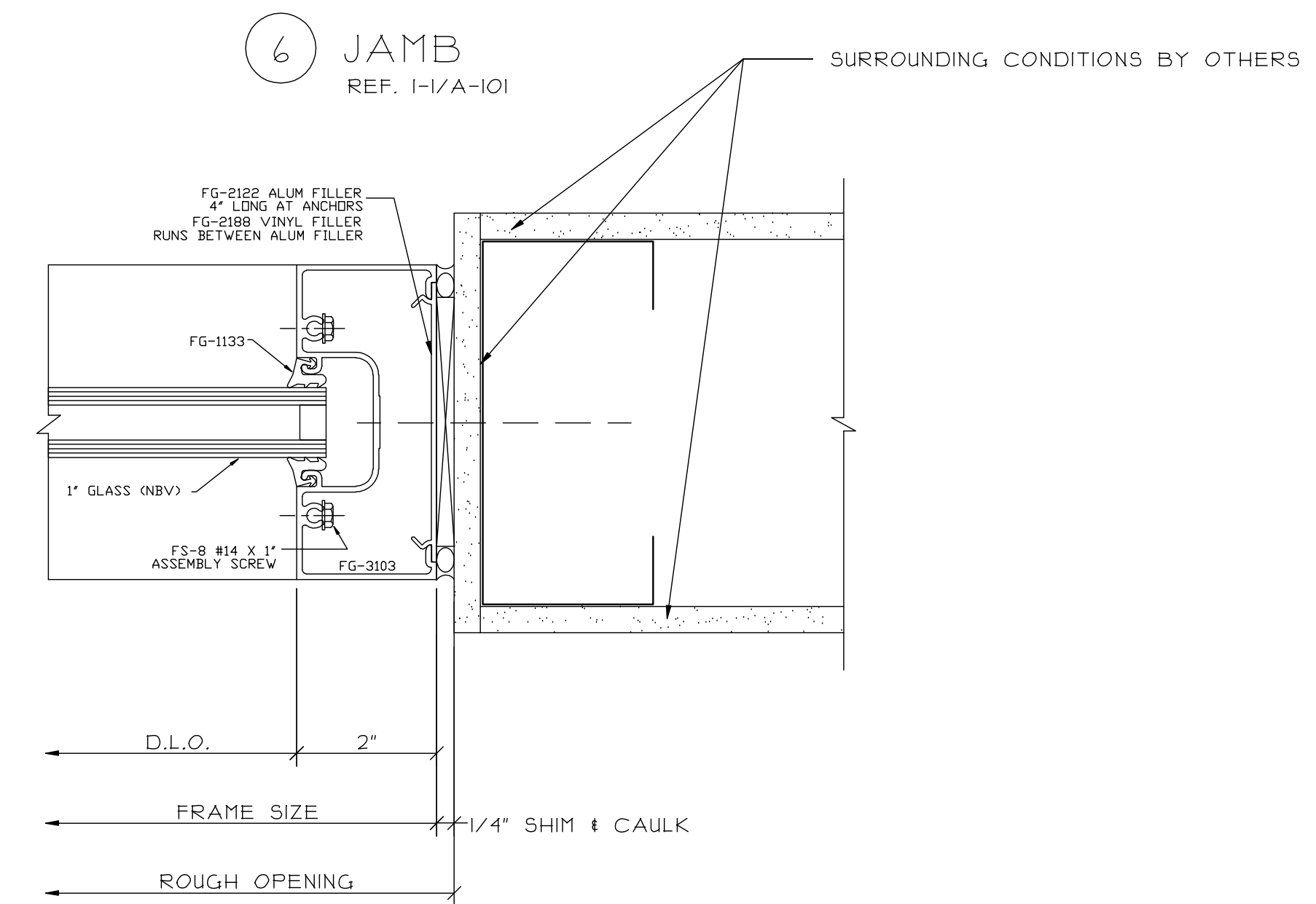
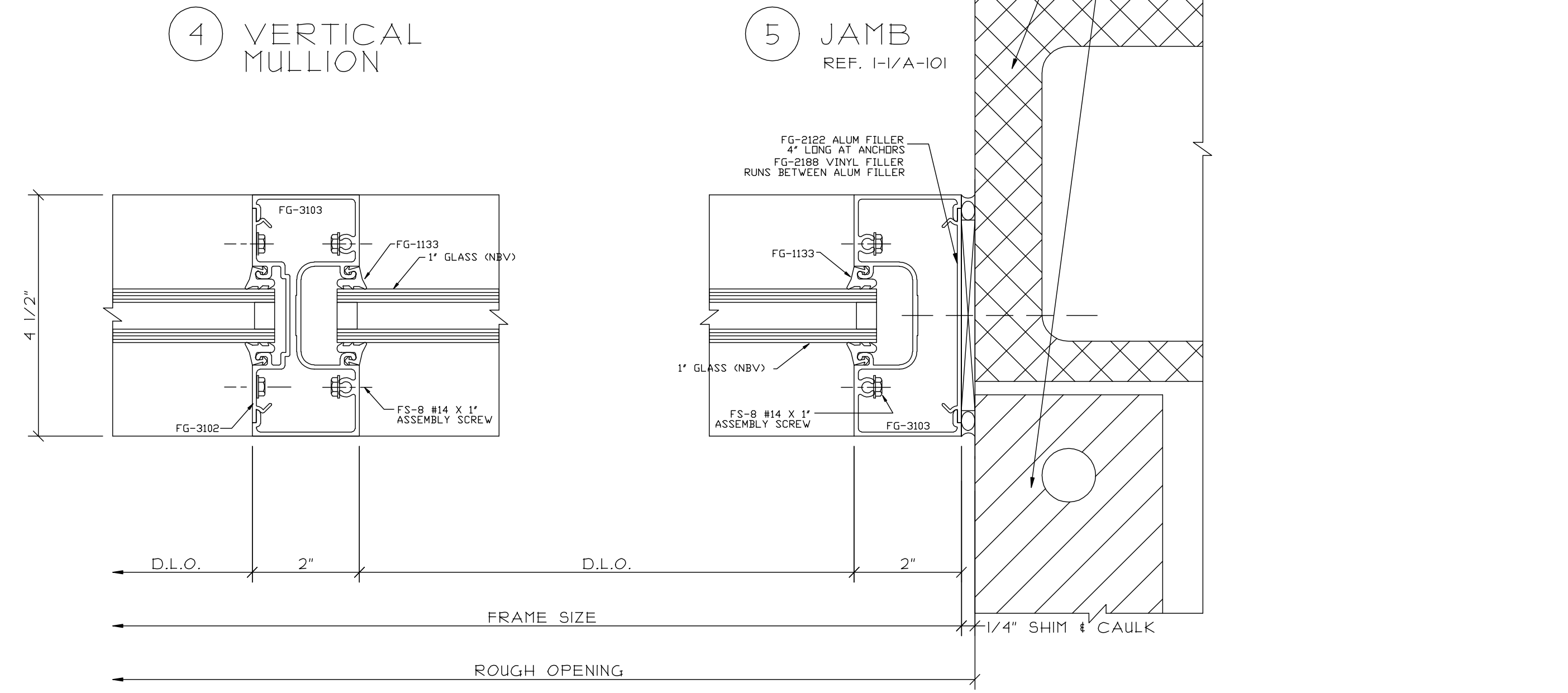
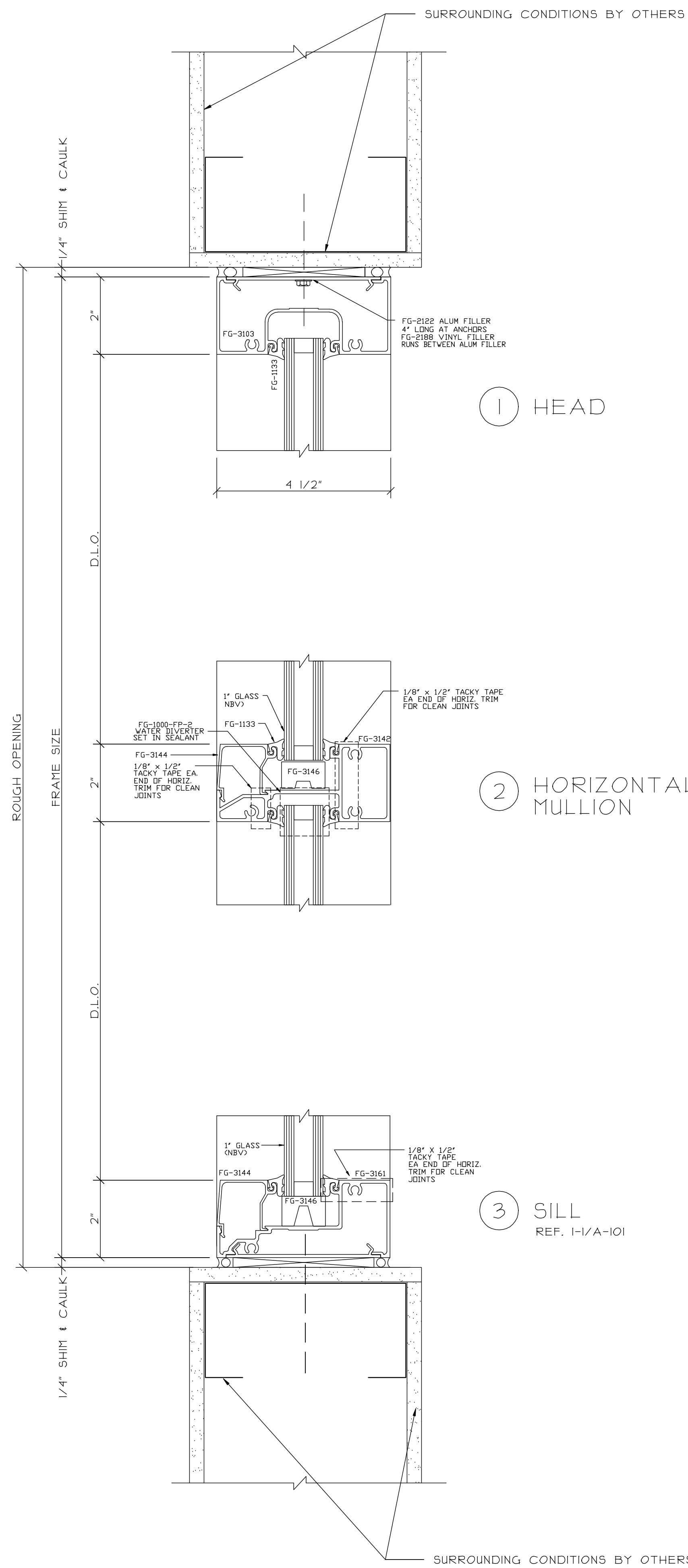
5 TYPICAL JAMB "F" ANCHOR



6 TYPICAL INTERMEDIATE "T" ANCHOR



PROJECT:	SAMPLE SAMPLE SAMPLE
LOCATION:	SAMPLE SAMPLE SAMPLE
SCALE:	6" = 1'-0"
DATE:	SAMPLE
PAGE:	19 of 22
GLAZING CONTRACTOR:	SAMPLE SAMPLE SAMPLE
ARCHITECT:	SAMPLE SAMPLE SAMPLE
REVISIONS:	
DATE:	



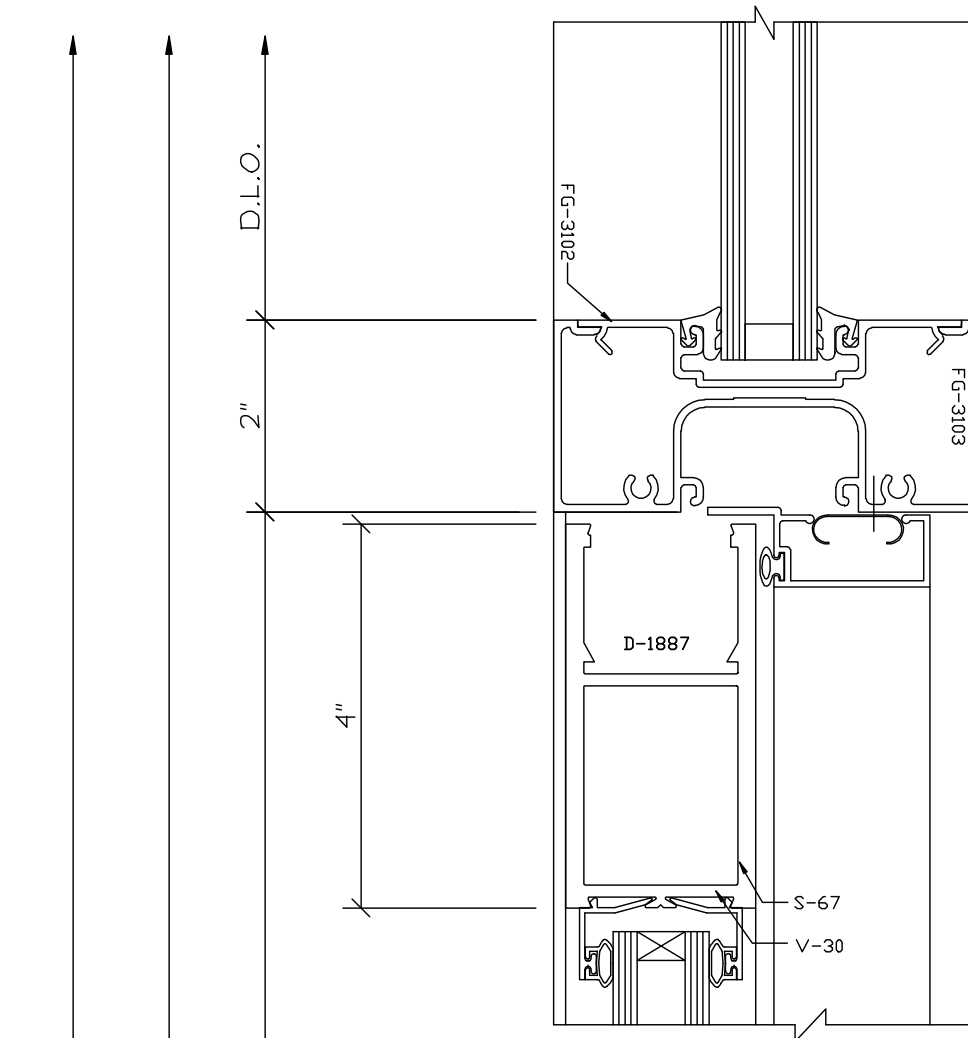
REVISIONS	DATE

GLAZING CONTRACTOR:
 SAMPLE SAMPLE SAMPLE
 SAMPLE SAMPLE SAMPLE
 SAMPLE SAMPLE SAMPLE
 SAMPLE SAMPLE SAMPLE

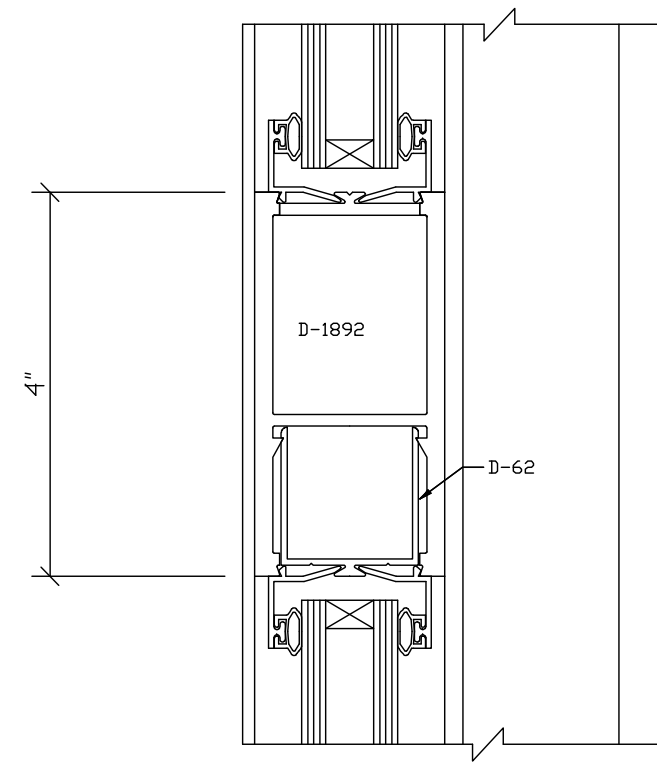
ARCHITECT:
 SAMPLE SAMPLE SAMPLE
 SAMPLE SAMPLE SAMPLE
 SAMPLE SAMPLE SAMPLE
 SAMPLE SAMPLE SAMPLE

PROJECT: SAMPLE SAMPLE SAMPLE
 LOCATION: SAMPLE SAMPLE SAMPLE

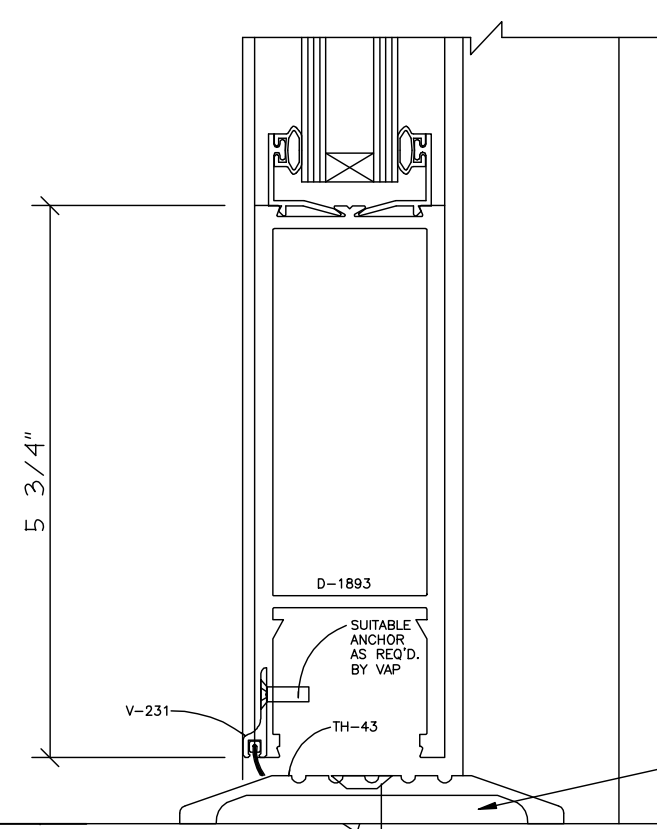
SCALE:
 6" = 1'-0"
 DATE:
 SAMPLE
 PAGE:
 20 of 22



① TRANSOM W/
TOP RAIL



② MID RAIL



③ BOTTOM RAIL

ROUGH OPENING

FRAME SIZE

DOOR OPENING

D.L.O.

4"

4"

5 3/4"

2"

4"

2"

2"

2"

2"

2"

2"

2"

2"

2"

2"

2"

2"

2"

2"

2"

2"

2"

2"

2"

2"

2"

2"

2"

2"

2"

2"

2"

2"

2"

2"

2"

2"

2"

2"

2"

2"

2"

2"

2"

2"

2"

2"

2"

2"

2"

2"

2"

2"

2"

2"

2"

2"

2"

2"

2"

2"

2"

2"

2"

2"

2"

2"

2"

2"

2"

2"

2"

2"

2"

2"

2"

2"

2"

2"

2"

2"

2"

2"

2"

2"

2"

2"

2"

2"

2"

2"

2"

2"

2"

2"

2"

2"

2"

2"

2"

2"

2"

2"

2"

2"

2"

2"

2"

2"

2"

2"

2"

2"

2"

2"

2"

2"

2"

2"

2"

2"

2"

2"

2"

2"

2"

2"

2"

2"

2"

2"

2"

2"

2"

2"

2"

2"

2"

2"

2"

2"

2"

2"

2"

2"

2"

2"

2"

2"

2"

2"

2"

2"

2"

2"

2"

2"

2"

2"

2"

2"

2"

2"

2"

2"

2"

2"

2"

2"

2"

2"

2"

2"

2"

2"

2"

2"

2"

2"

2"

2"

2"

2"

2"

2"

2"

2"

2"

2"

2"

2"

2"

2"

2"

2"

2"

2"

2"

2"

2"

2"

2"

2"

2"

2"

2"

2"

2"

2"

2"

2"

2"

2"

2"

2"

2"

2"

2"

2"

2"

2"

2"

2"

2"

2"

2"

2"

2"

2"

2"

2"

2"

2"

2"

2"

2"

2"

2"

2"

2"

2"

2"

2"

2"

2"

2"

2"

2"

2"

2"

2"

2"

2"

2"

2"

2"

2"

2"

2"

2"

2"

2"

2"

2"

2"

2"

2"

2"

2"

2"

2"

2"

2"

2"

2"

2"

2"

2"

2"

2"

2"

2"

2"

2"

2"

2"

2"

2"

2"

2"

2"

2"

2"

2"

2"

2"

2"

2"

2"

2"

2"

2"

2"

2"

2"

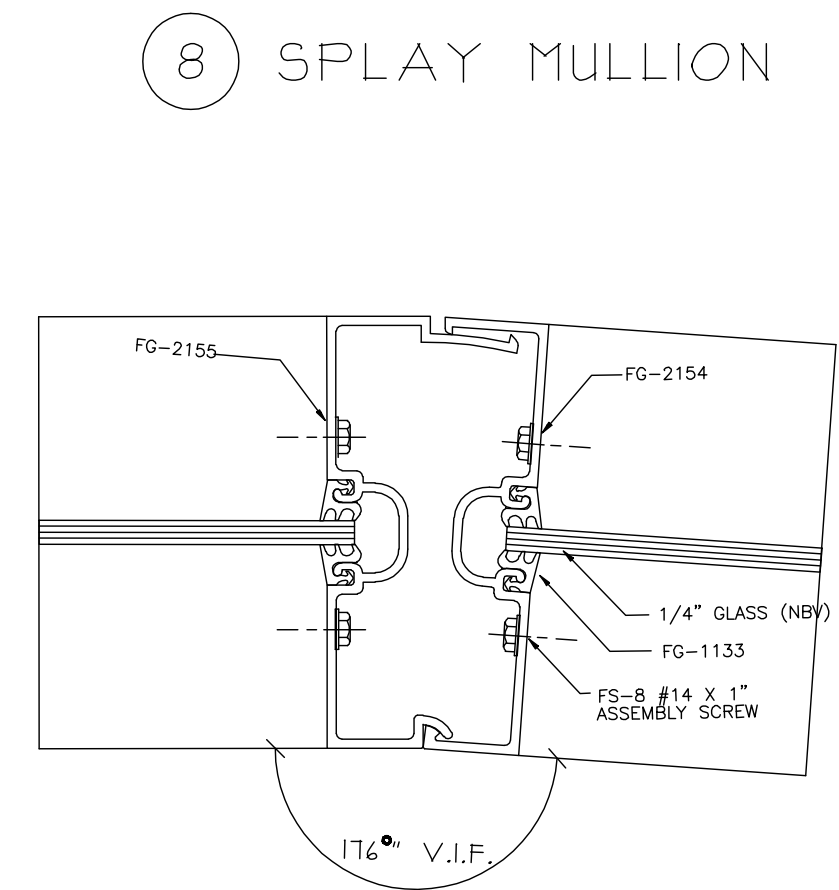
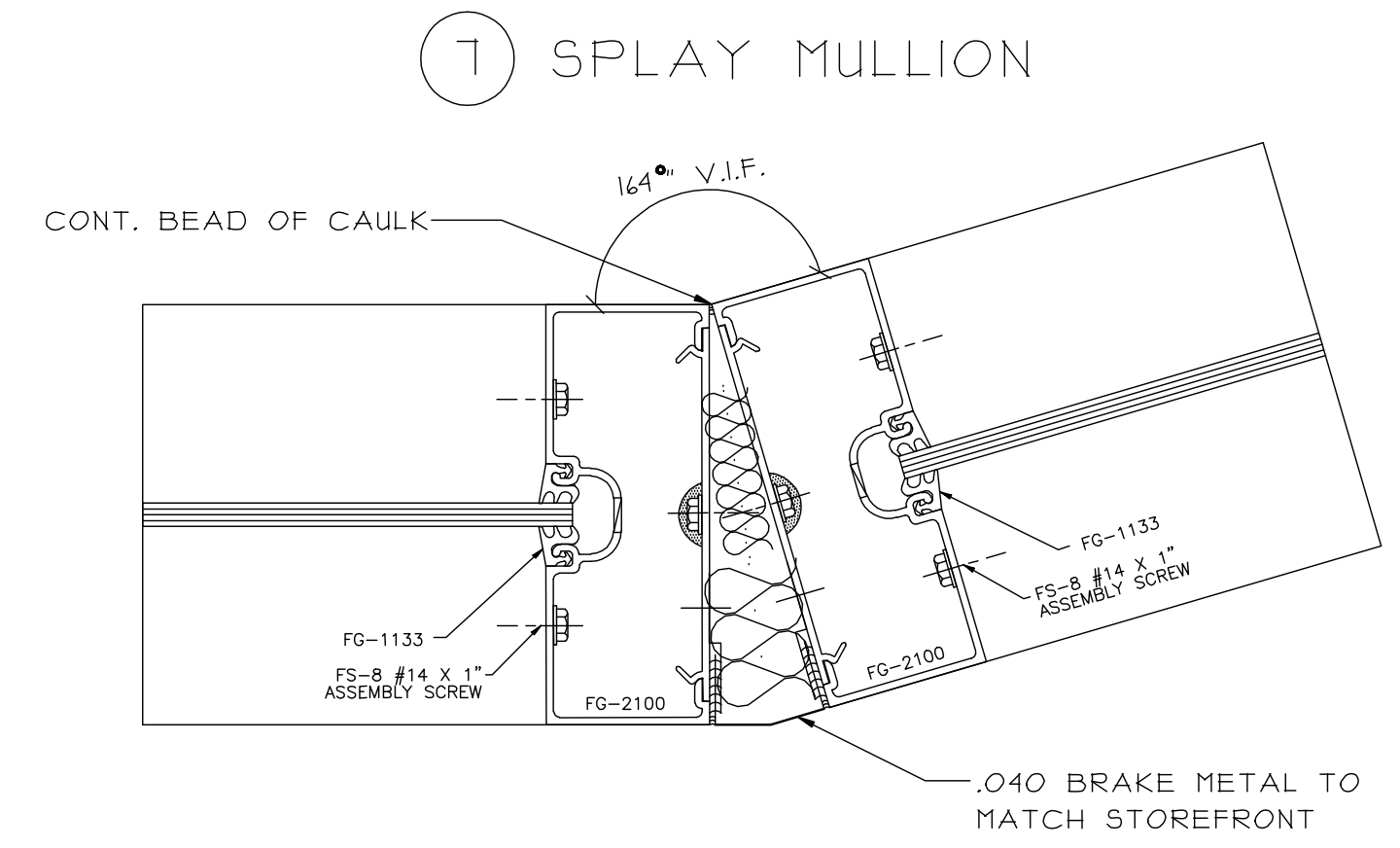
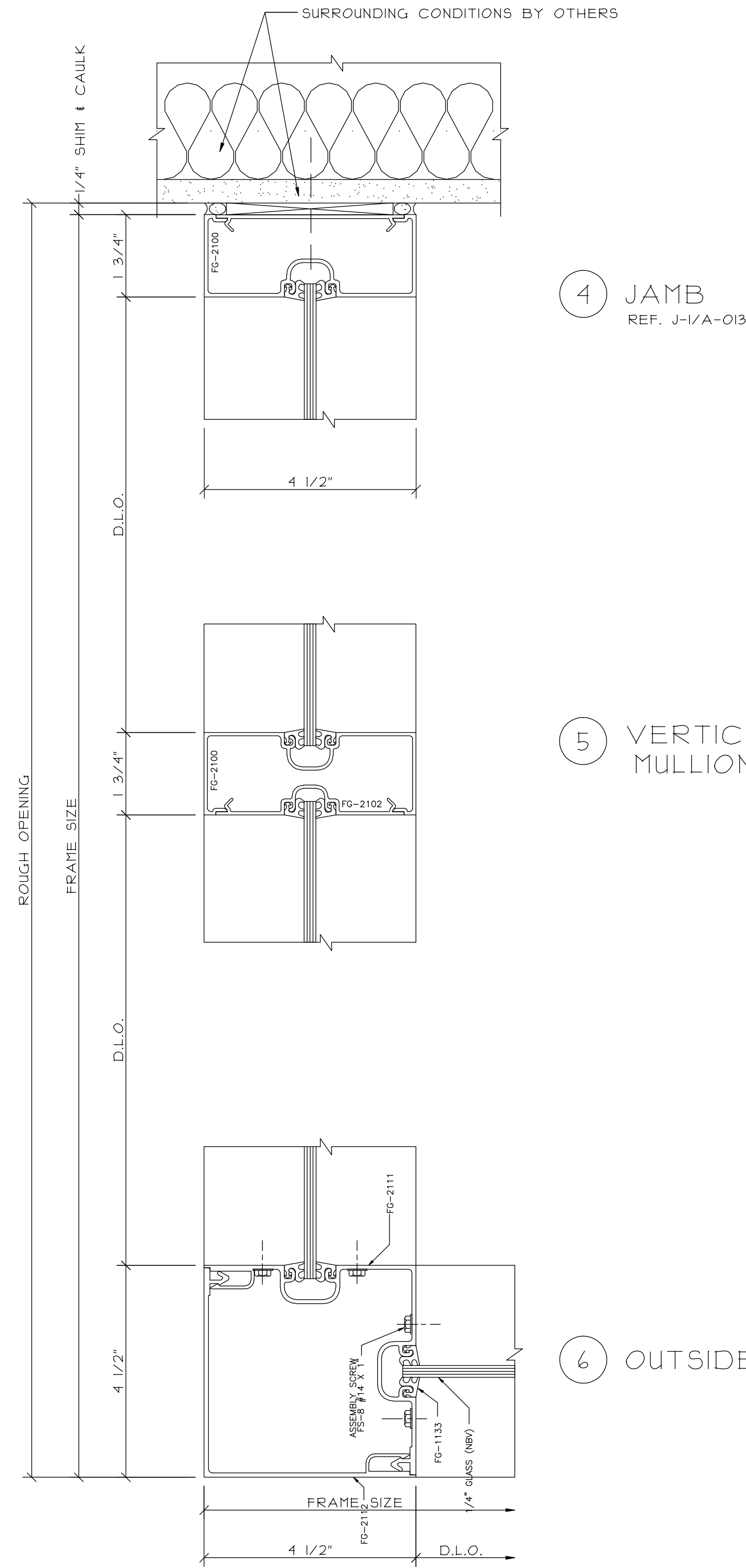
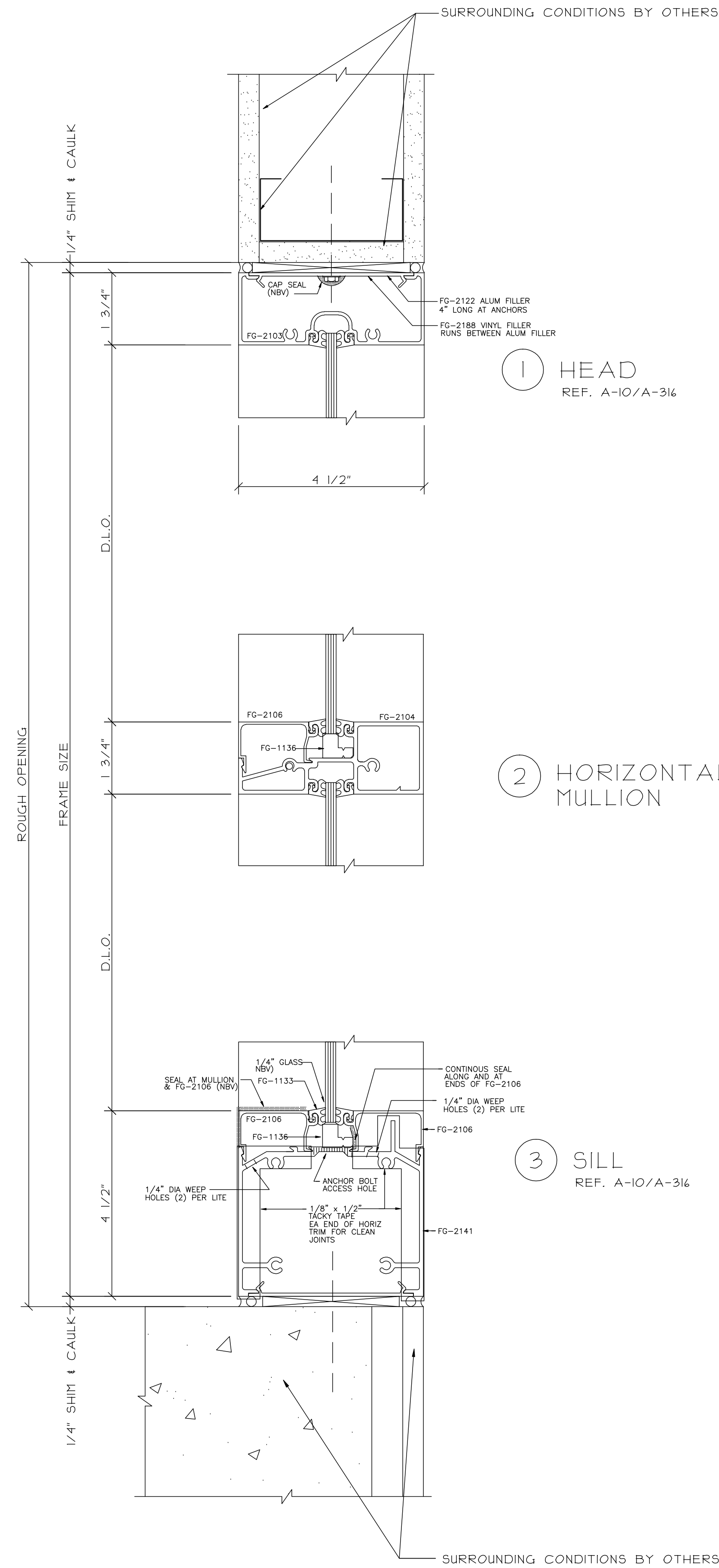
2"

2"

2"

2"

2"



DATE

REVISIONS

GLAZING CONTRACTOR:	SAMPLE	SAMPLE	SAMPLE	SAMPLE
	SAMPLE	SAMPLE	SAMPLE	SAMPLE
	SAMPLE	SAMPLE	SAMPLE	SAMPLE
	SAMPLE	SAMPLE	SAMPLE	SAMPLE
	SAMPLE	SAMPLE	SAMPLE	SAMPLE

ARCHITECT:	SAMPLE	SAMPLE	SAMPLE	SAMPLE
	SAMPLE	SAMPLE	SAMPLE	SAMPLE
	SAMPLE	SAMPLE	SAMPLE	SAMPLE
	SAMPLE	SAMPLE	SAMPLE	SAMPLE
	SAMPLE	SAMPLE	SAMPLE	SAMPLE

PROJECT: SAMPLE SAMPLE SAMPLE

LOCATION: SAMPLE SAMPLE SAMPLE

SCALE: 6" = 1'-0"

DATE: SAMPLE

PAGE: 22 of 22